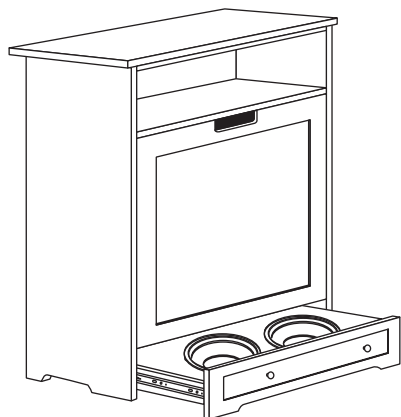


Pet Feeder Storage Cabinet Instruction



Two adults must be required. Before you begin, please follow Assembly Instruction step by step.



Maintenances:

1. Keep the cabinet door closed when not in use.
2. Use mild furniture cleaner to clean the cabinet.
3. Open the door gently to avoid falling contents.

Parts list

	1 1pc 796*340*15mm		10 1pc 367*219*12mm
	2 1pc 796*340*15mm		11 1pc 367*219*12mm
	3 1pc 606*355*15mm		12 1pc 540*310*12mm
	4 1pc 550*325*12mm		13 1pc 545*430*15mm
	5 1pc 355*110*12mm		14 1pc 487*177*12mm
	6 1pc 355*110*12mm		15 1pc 545*120*15mm
	7 2pcs 558*297*3mm		16 2pcs 280*62*12mm
	8 1pc 355*30*15mm		17 1pc 498*62*12mm
	9 1pc 355*70*12mm		18 1pc 545*280*12mm

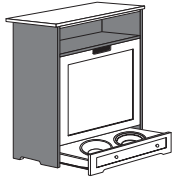
Hardware fitting list

19 1pair	21 2pcs	22 2pcs	23 40pcs	24 2pcs	25 18pcs	26 24pcs	
27 4pcs	28 4pcs	29 7pcs	30 2pcs	31 2pcs	32 1pc	33 1pc	34 4pcs

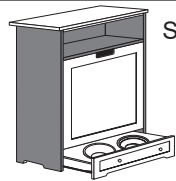
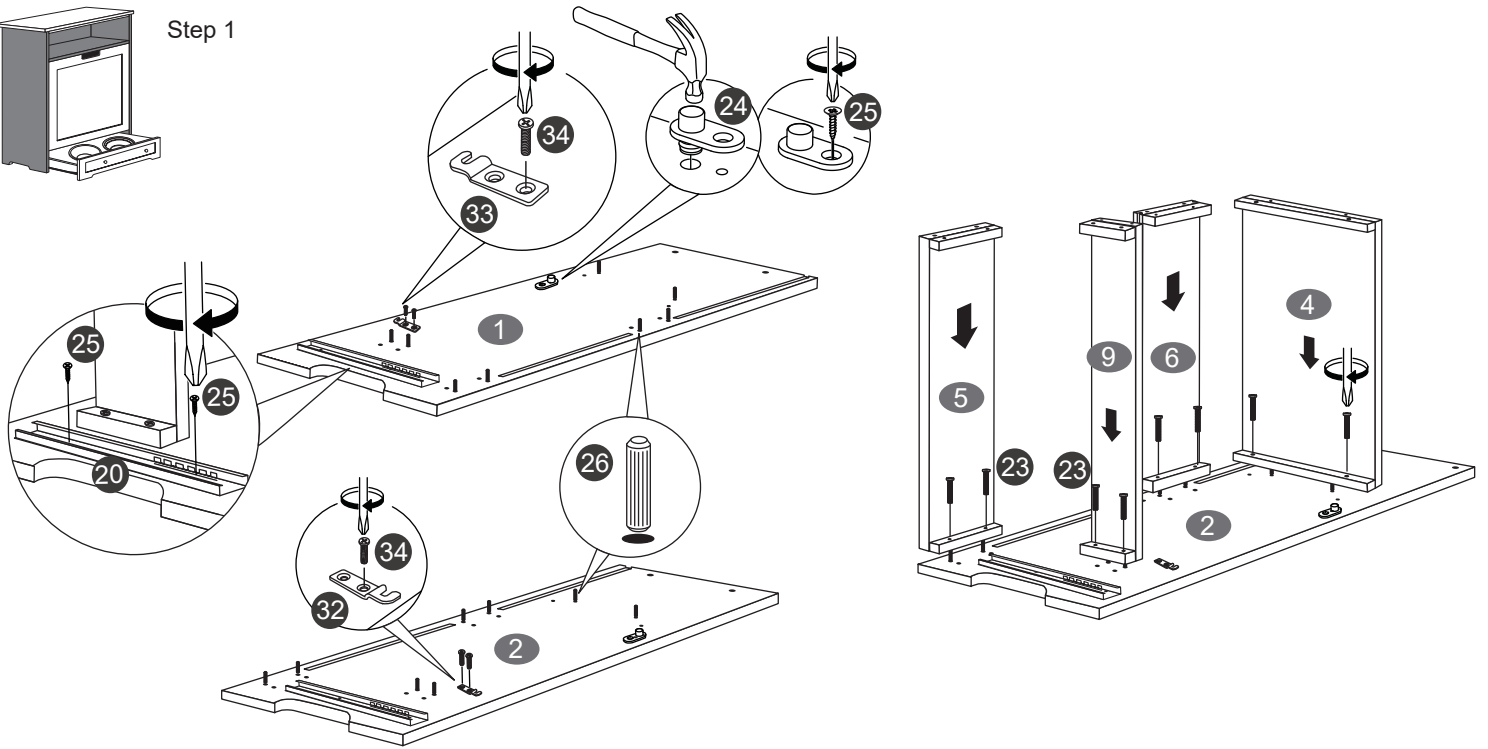
Assistance must be required for assembly of this product

Please read the instructions carefully before assembling the cabinet.

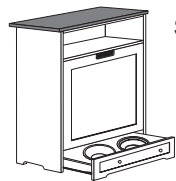
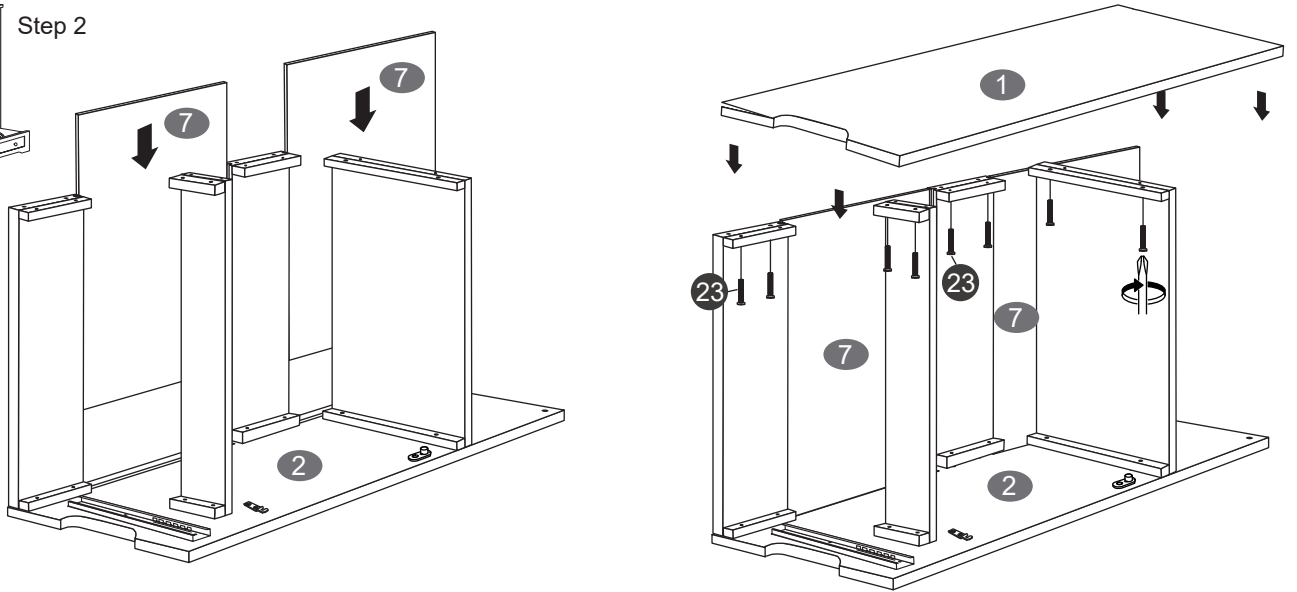
Two adults are required for assembly of this product on a clean, flat surface instead of a rough surface.



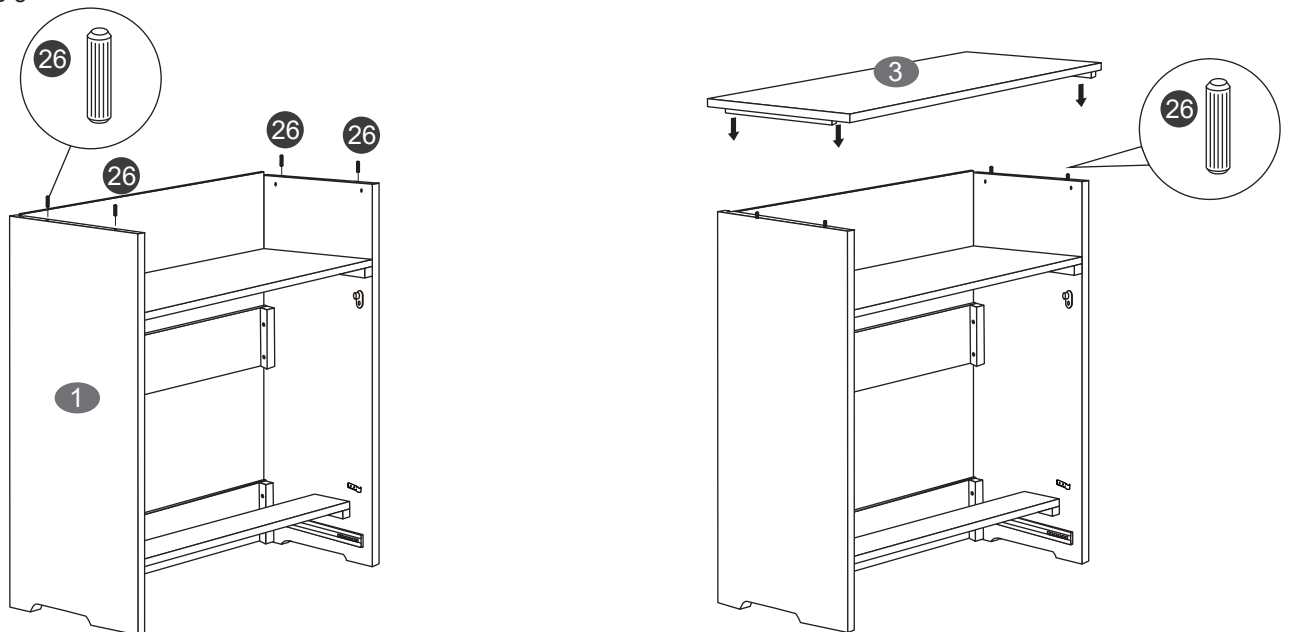
Step 1



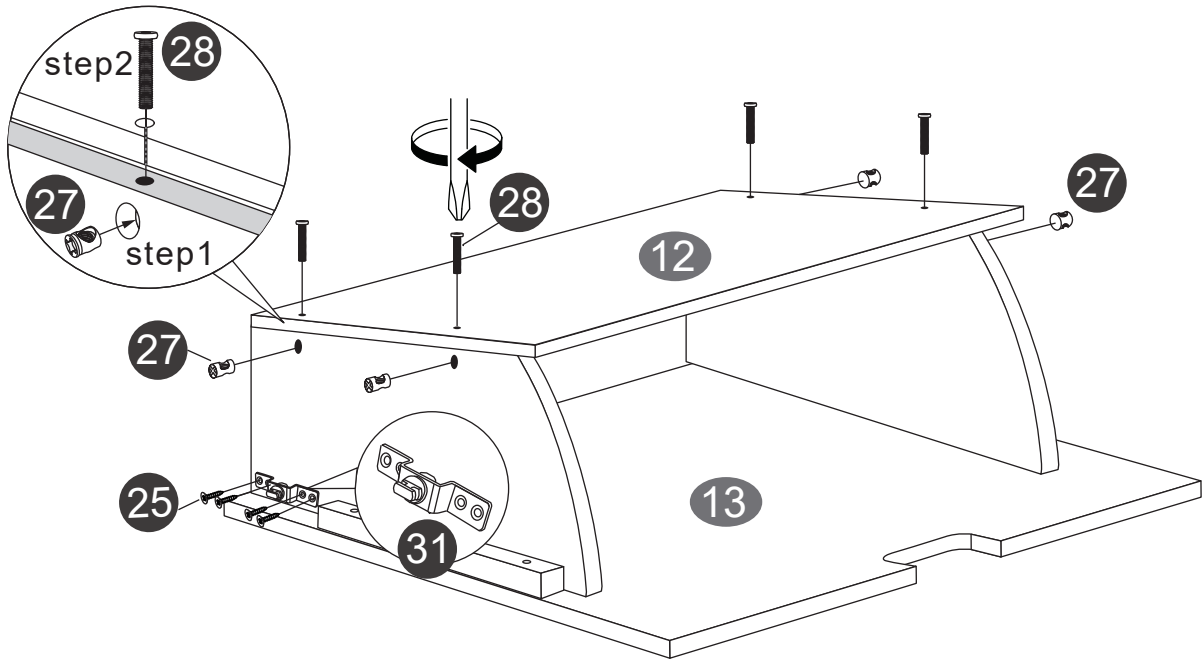
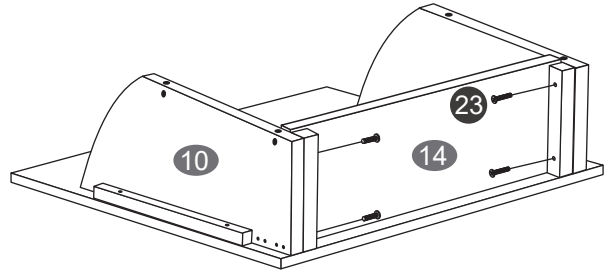
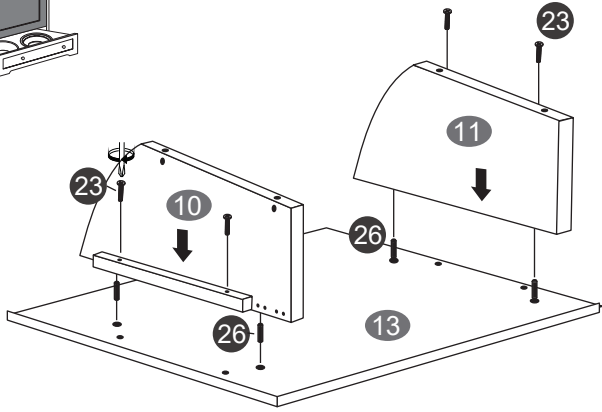
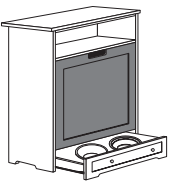
Step 2



Step 3



Step 4



Step 5

