



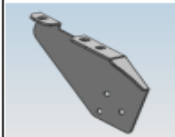

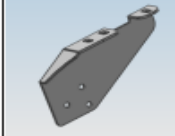

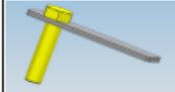



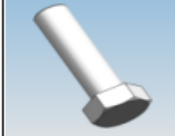
INSTALLATION INSTRUCTION

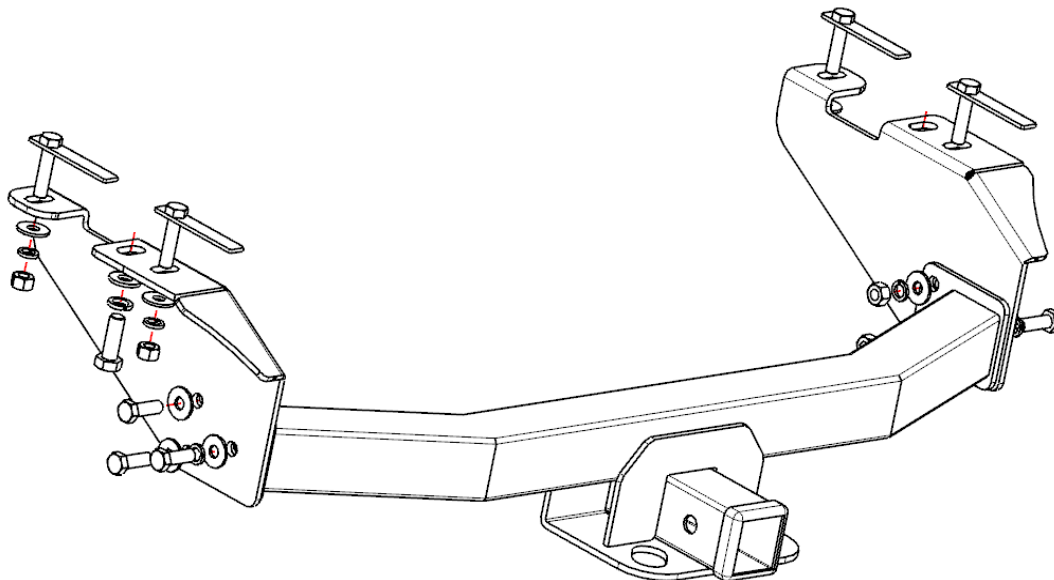
NOTICE:

- ≡ Please read the instruction completely for easy installation, which will also help you to avoid scratches or other potential damages to your appealing car.
- ≡ Please periodically check and retighten all the hardware and clean the investment for a refresh look.

ASSEMBLY PROCEDURE:

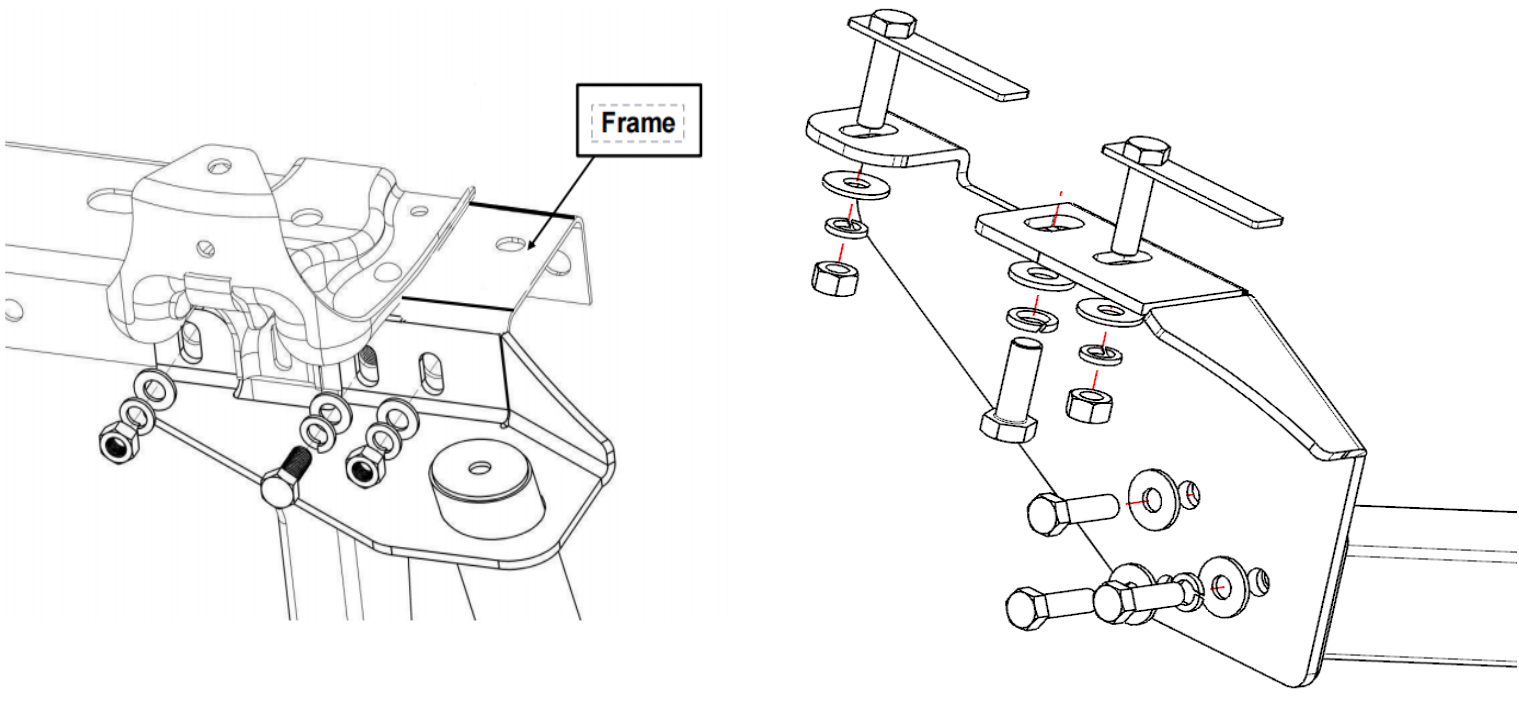
Step 1: Check all the contents are available in accordance with the above list.

Description	QTY	Illustration	Description	QTY	Illustration
Trailer frame body	1		M14*40 Hexagon bolts	2	
Connecting bracket left	1		φ12*25 Flat washers	14	
Connecting bracket right	1		φ12 Lock washers	10	
T- bolts	4		φ14*30 Flat washers	2	
M12 Hexagon nuts	8		φ14 Lock washers	2	
M12*35 Hexagon bolts	6				



INSTALLATION INSTRUCTION

Step 2: Install a trailer frame at the rear of the car, but not tighten the screws yet .



Step 4: After checking for proper clearance and alignment of the Towing hook on the vehicle, fully tighten all hardware



DISCLAIMER:

Any damages and losses caused by improper installation and application, goes beyond our quality warranty.