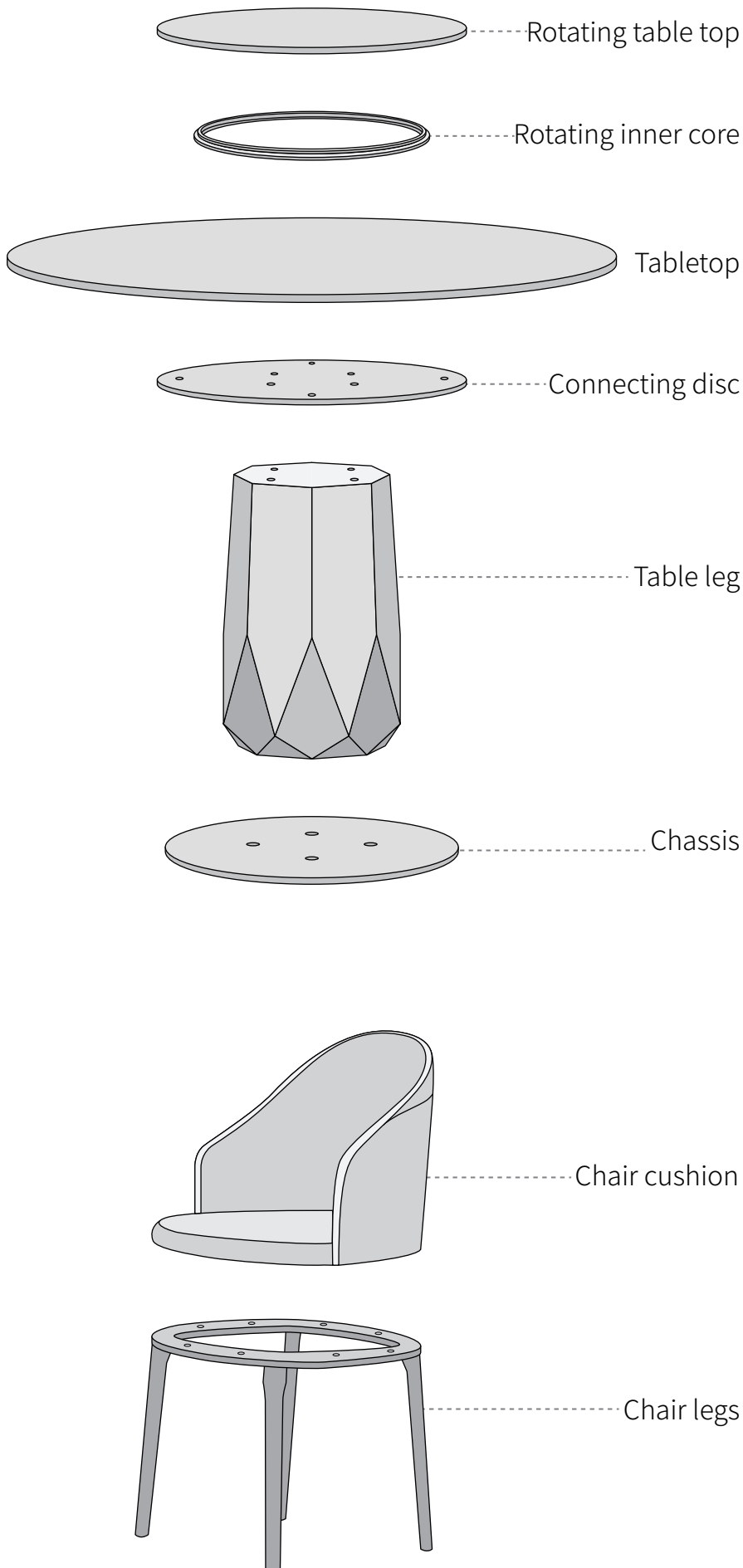
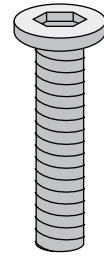


INSTALLATION INSTRUCTIONS

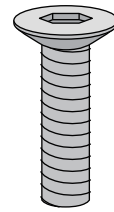
PARTS LIST



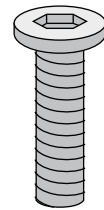
The extra parts are for spare



Screw(1) x4



Screw(2) x4



Screw(3) x4



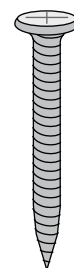
Gasket(1) x8



Gasket(2) x4



Hex key

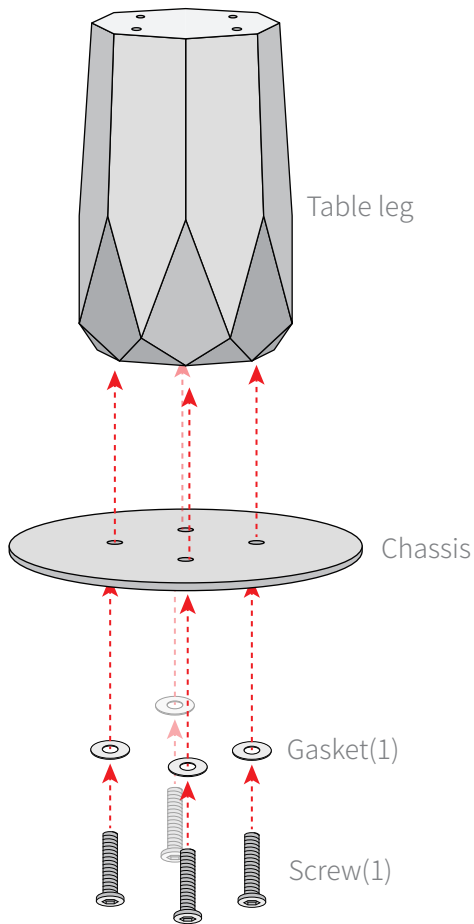


Tapping screw x8

The number of screws
required for installing a chair

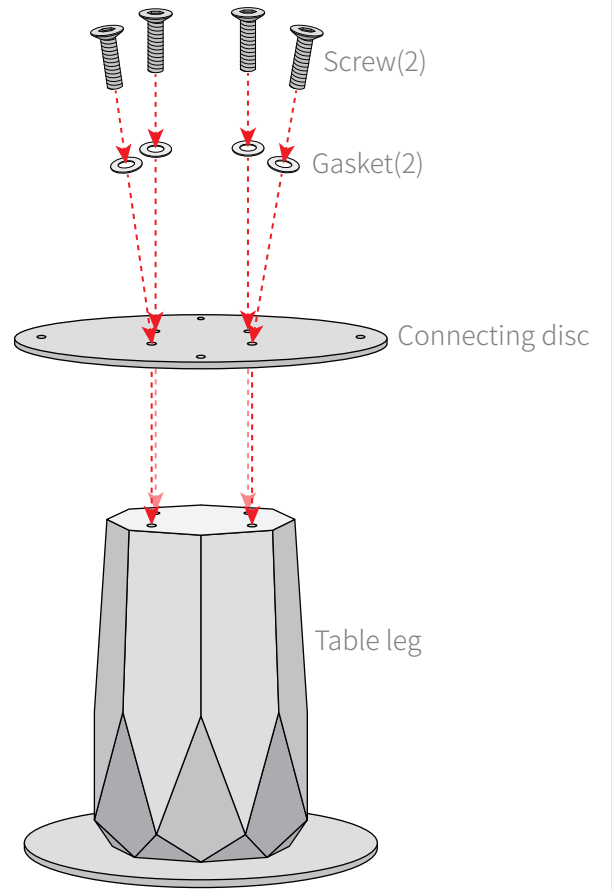
STEP 1

Install the table legs onto the chassis, and secure them with screws(1) and gasket(1).



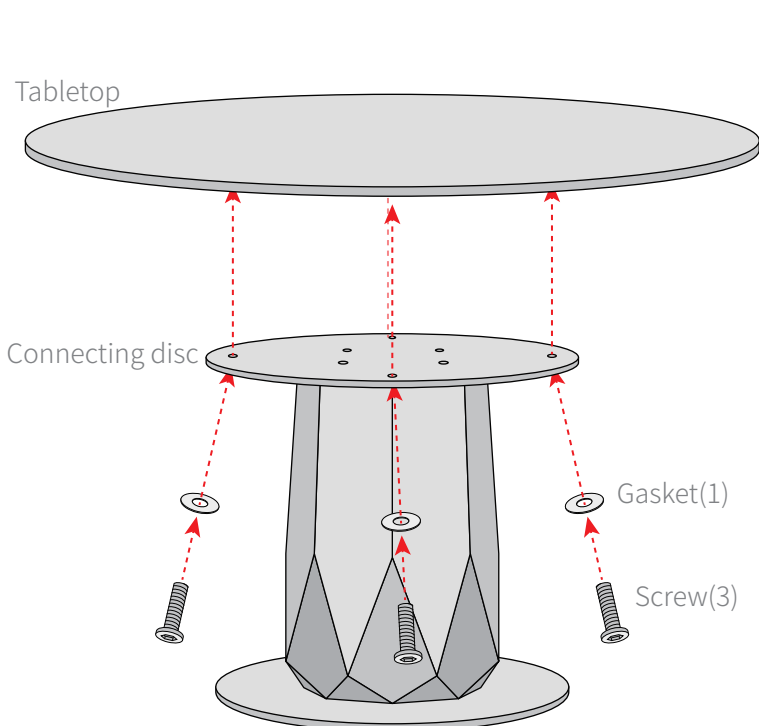
STEP 2

Install the Connecting disc onto the table legs, and secure them using screws(2) and gasket(2).



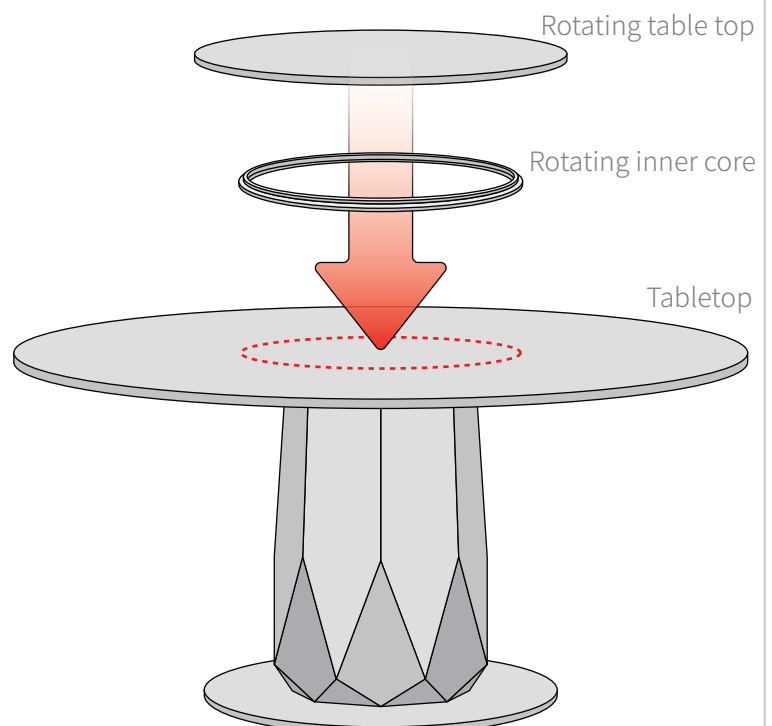
STEP 3

Install the Tabletop onto the Connecting disc, and secure them with screws(3) and gasket(1).



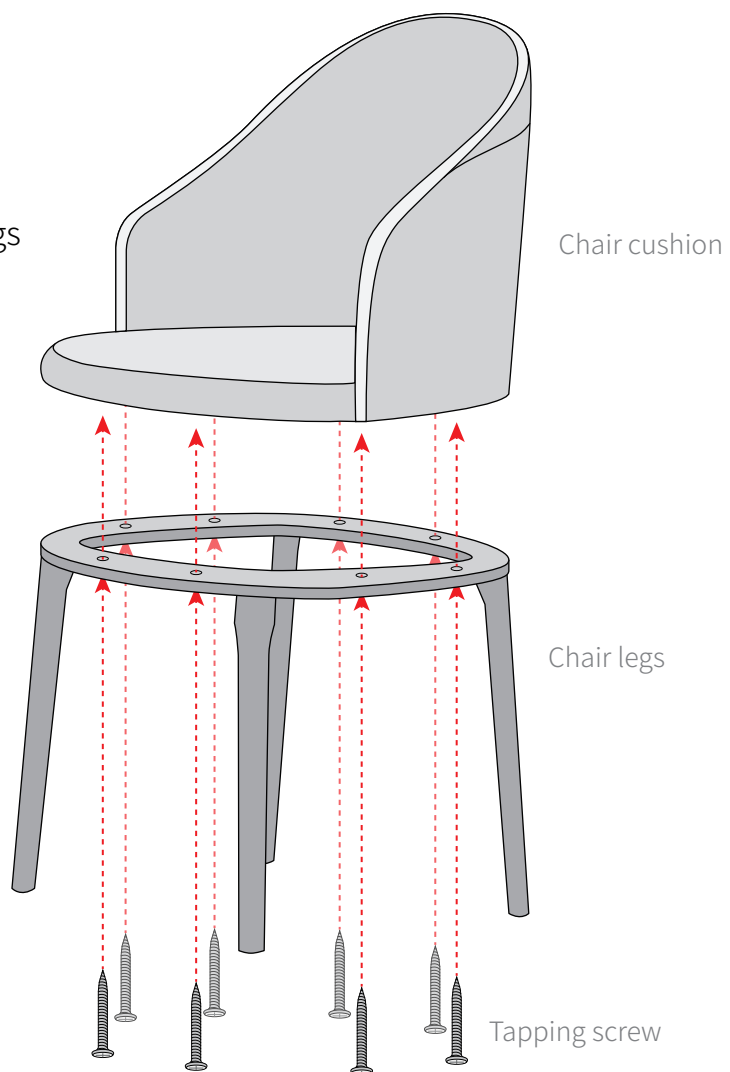
STEP 4

Install the Rotating inner core and the Rotating table top onto the desktop in sequence.

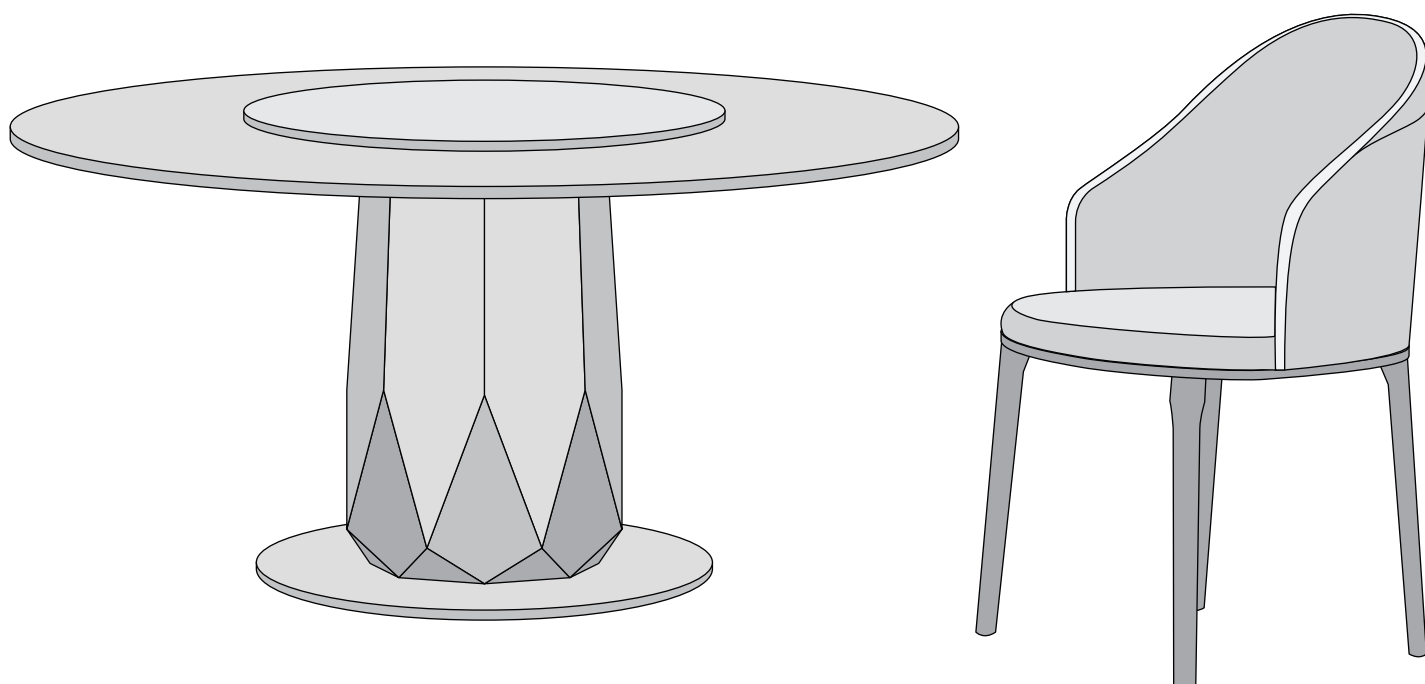


CHAIR INSTALLATION

Install the chair cushion onto the chair legs and secure it with self-tapping screws.



INSTALLATION COMPLETE



MARBLE CLEANING. MAINTENANCE. PRECAUTIONS

- **REGULAR CLEANING:**

The marble should be cleaned with special cleaning agents to avoid damaging the surface structure. In general, a neutral cleaner, such as alcohol or warm water, should be used and then wiped with a clean cloth to maximize the cleaning of the surface

- **DECONTAMINATION:**

To remove dirt on the marble, you can use a one-time wet, and then rinse it off with water. If there is oil, you can use dish soap, but be careful not to use too much, so as not to break the internal structure of the marble.

- **MAINTENANCE:**

The marble should be regularly maintained with paraffin wax to increase the surface light, and to effectively protect the surface from pollution erosion. In addition, it is also important to polish the marble regularly to maintain the finish and water resistance.

- **NOTE:**

When cleaning, note: do not use detergent containing acid components, do not use metal or other hard objects to clean the marble, so as not to wear the surface.