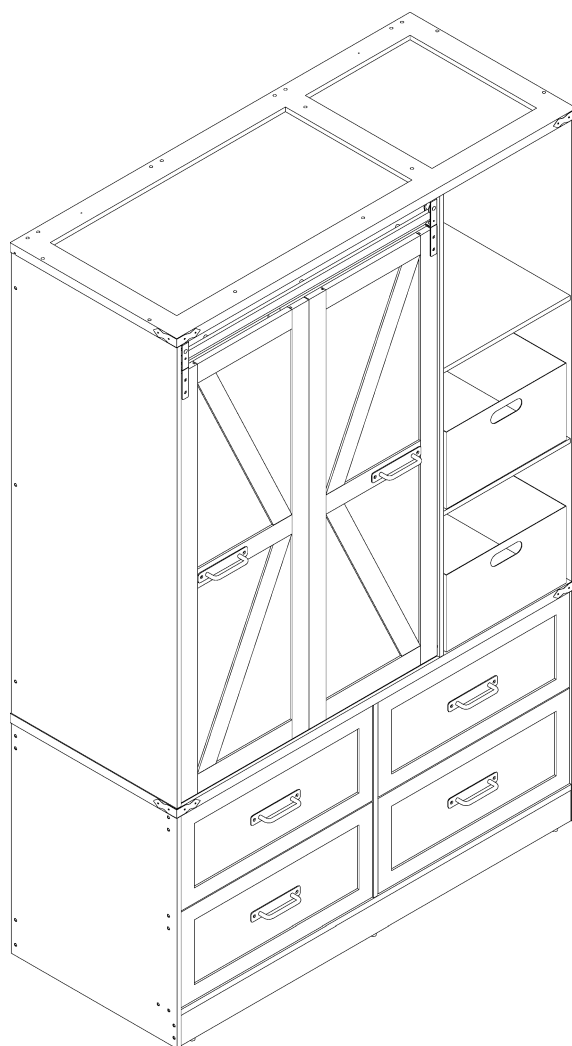
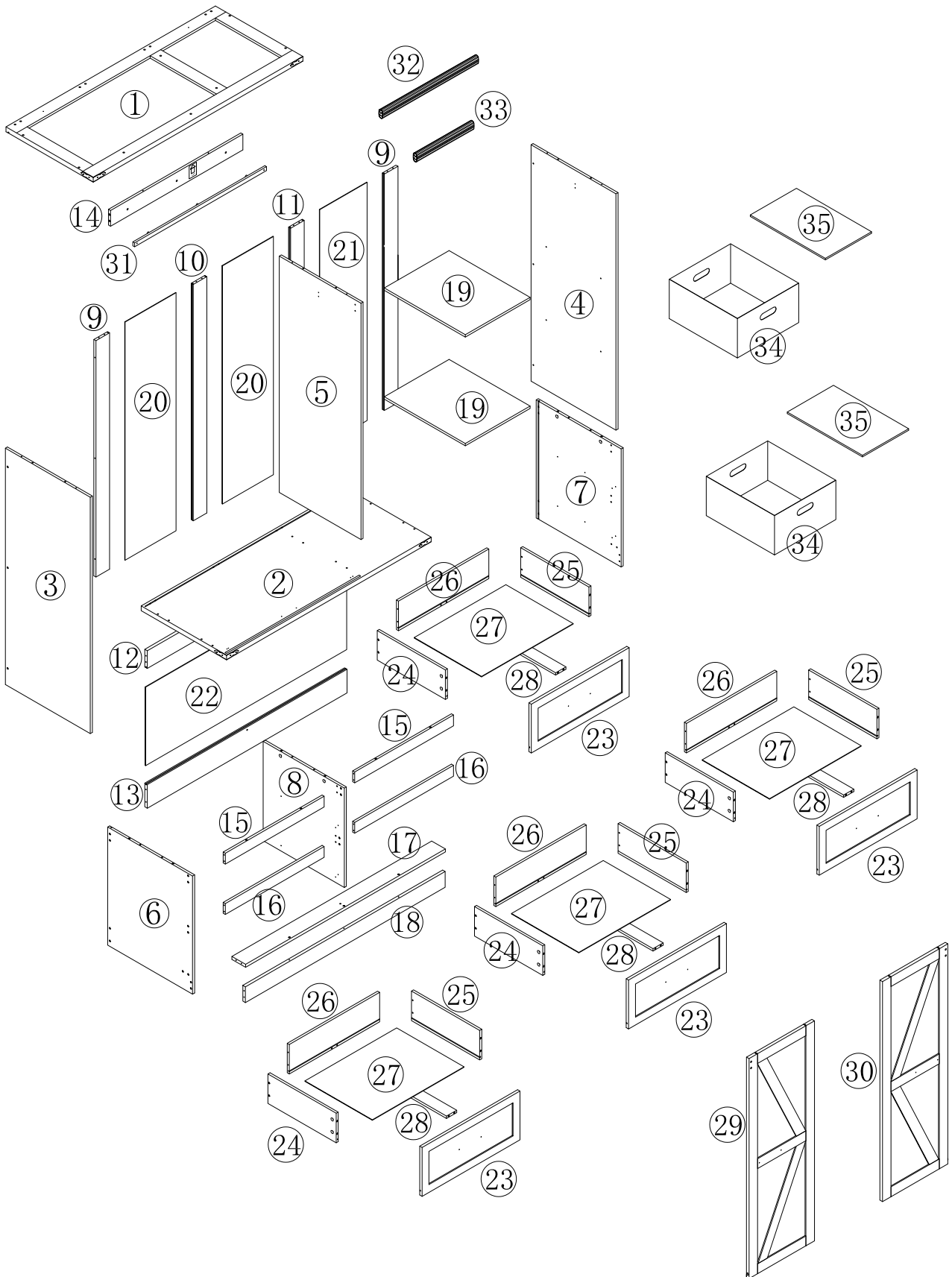


Assembly Instruction

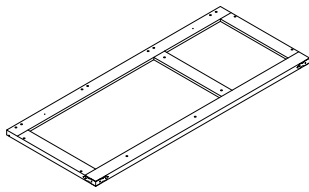


1

Explosion Diagram

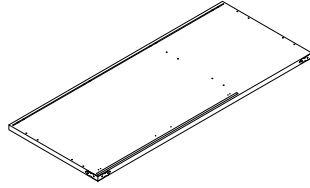


Parts and Operation Elements



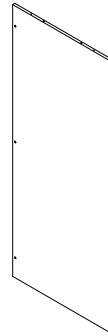
①

1PC



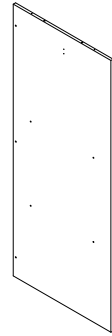
②

1PC



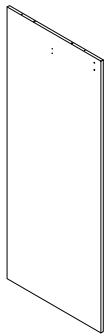
③

1PC



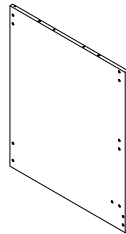
④

1PC



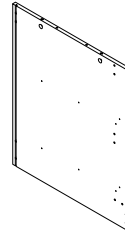
⑤

1PC



⑥

1PC



⑦

1PC



⑧

1PC



⑨

2PCS



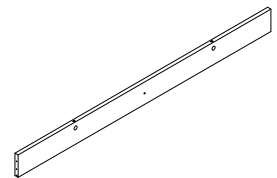
⑩

1PC



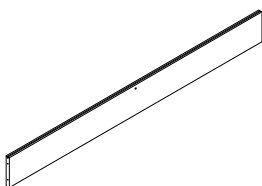
⑪

1PC



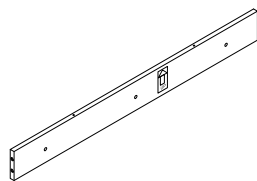
⑫

1PC



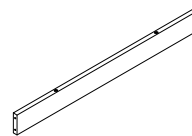
⑬

1PC



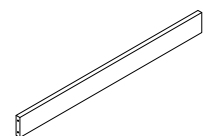
⑭

1PC



⑮

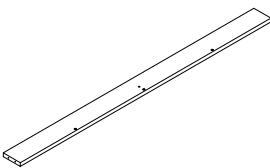
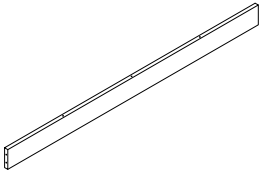
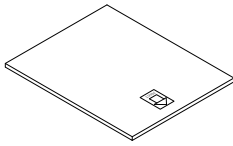

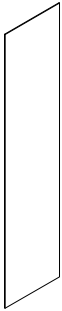
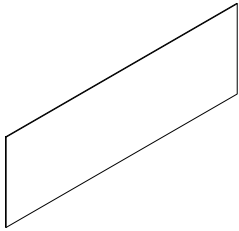
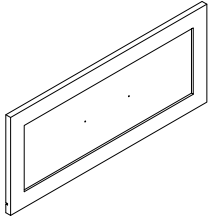
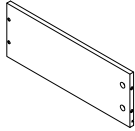
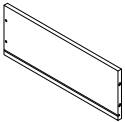
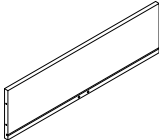
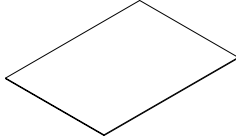
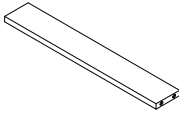
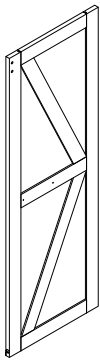
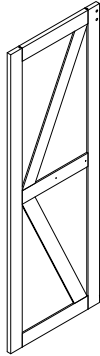
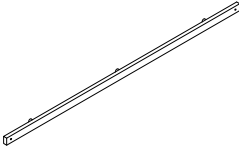
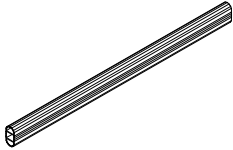
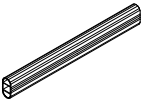
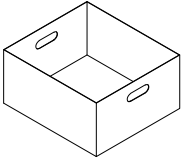
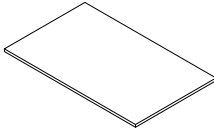
2PCS



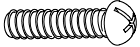
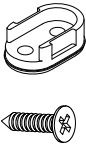


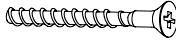
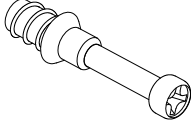
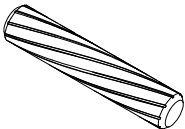
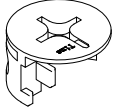

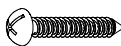


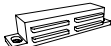


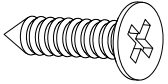
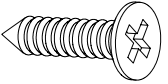
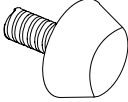

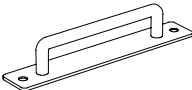
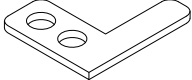
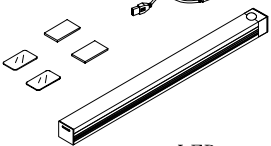
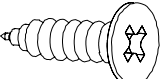
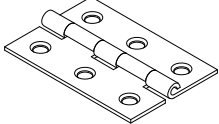
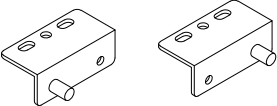

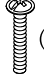


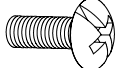
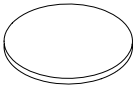


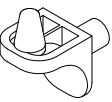


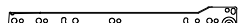
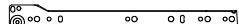



⑯


2PCS

Parts and Operation Elements

			
⑰ 1PC	⑱ 1PC	⑲ 2PCS	⑳ 2PCS
			
㉑ 1PC	㉒ 1PC	㉓ 4PCS	㉔ 4PCS
			
㉕ 4PCS	㉖ 4PCS	㉗ 4PCS	㉘ 4PCS
			
㉙ 1PC	㉚ 1PC	㉛ 1PC	㉜ 1PC
			
㉝ 1PC	㉞ 2PCS	㉟ 2PCS	

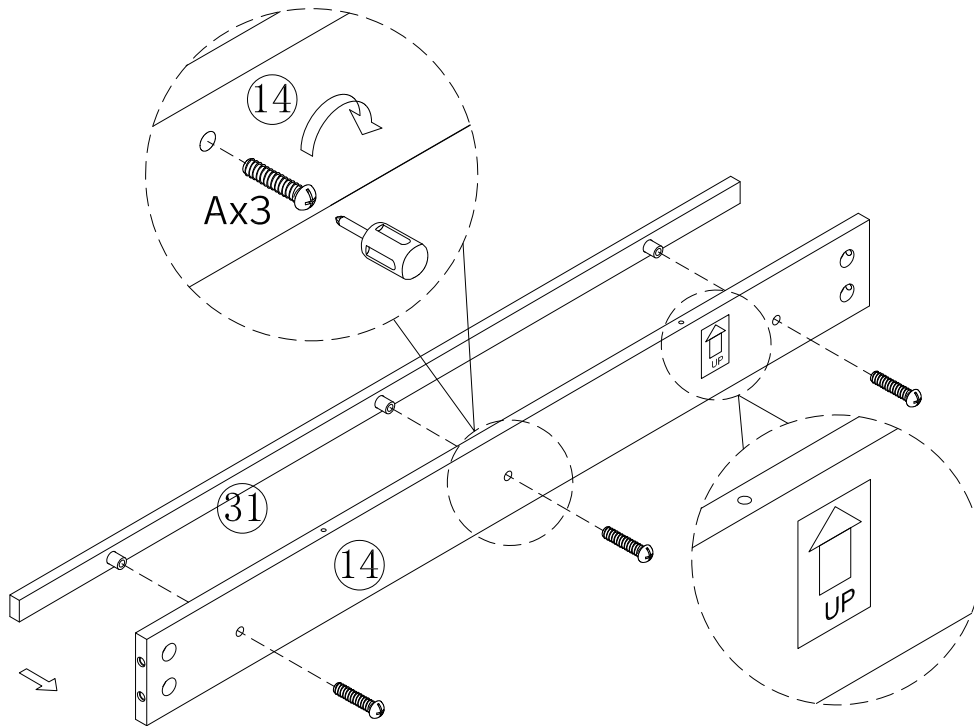
HardWare

 M6*25		 B1*4  B3*4  B2*8 M3.5*16mm		 M5*40		 Cam Bolt	
A	3PCS	B	2SETS	C	101PCS +2PCS	D	40PCS +2PCS
 ∅6*30mm		 ∅15*9mm Cam Lock		 (G1)*2  (G2)*2 M4*40mm  (G3)*2  (G4)*2 M3.5*16mm		 (H1)*1  (H2)*2 M3*16mm  (H3)*1	
E	18PCS +2PCS	F	40PCS +2PCS	G	2SETS	H	1SET
 M4*12mm		 M3*12mm		 M6*15mm		 (L1)*12  (L2)*6 M4*10mm	
I	66PCS +2PCS	J	12PCS +2PCS	K	6PCS	L	6SETS
		 LED		 M3*15mm			
M	1PC	N	1SET	O	4PCS	P	3PCS
 40*27.5*14.5mm		 (R1)*1  (R2)*1 M4*12mm		 (S1)*1  (S2)*1 M4*12mm		 M6*14mm	
Q	1SET	R	1PC	S	1PC	T	4PCS
 ∅20mm		 (V1)*24 M3*16mm  (V2)*24				 DR  X4 L=15.75"  DL  X4 L=15.75"  CR  X4 L=15.75"  CL	
U	141PCS +2PCS	V	24SETS	W	8PCS		

 Tips: The number after "+" represents the spare hardware.

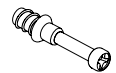
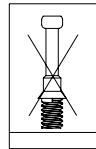
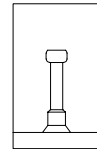
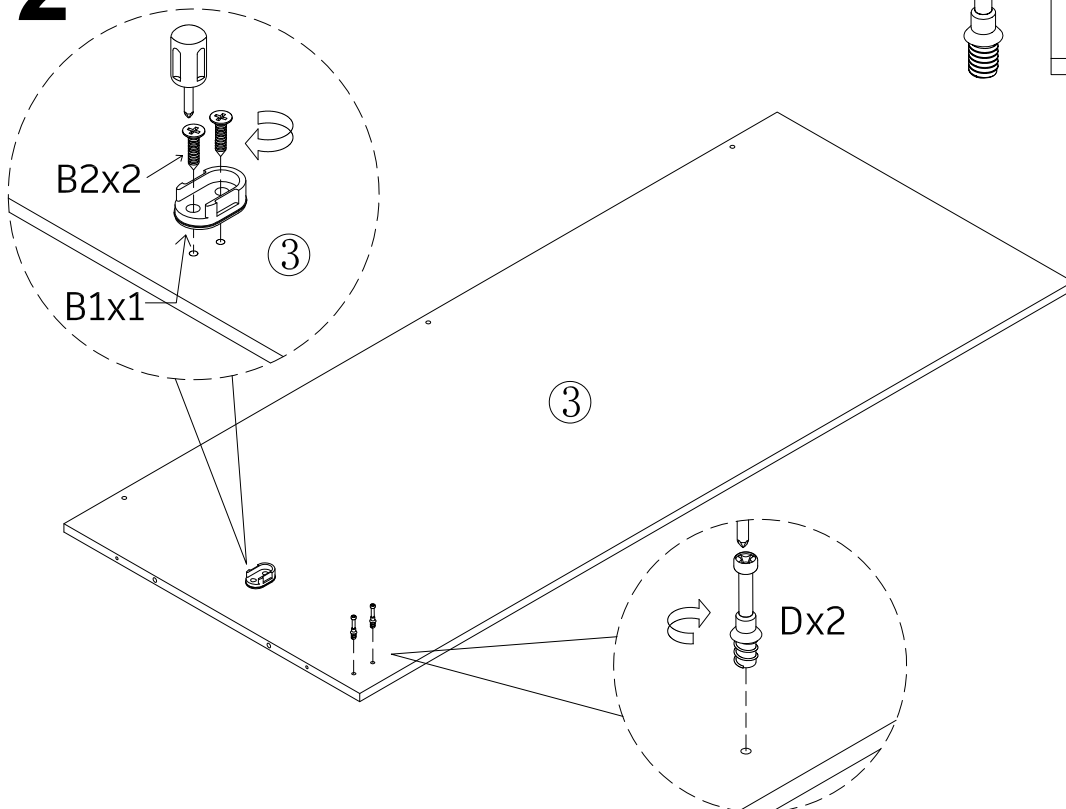
1

Please identify all parts before assembly the unit.



M6*25
Ax3

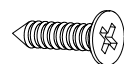
2



Dx2

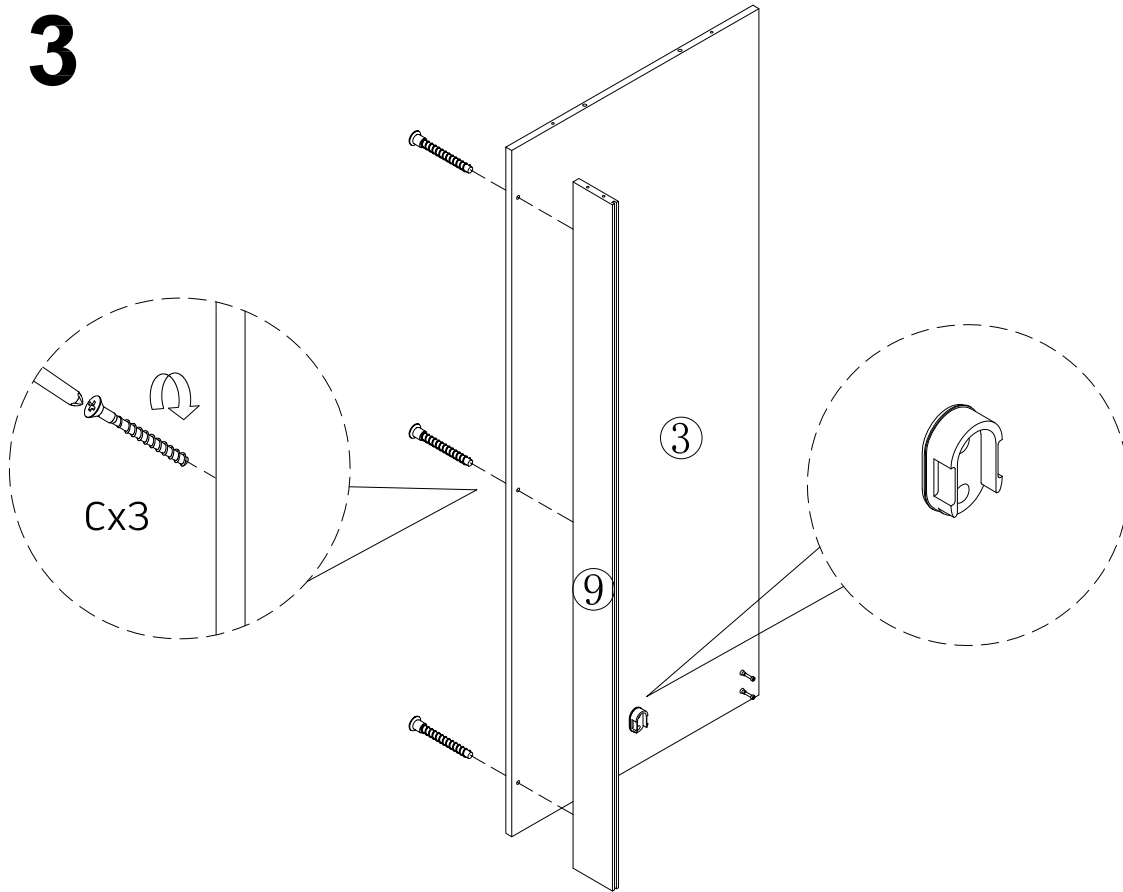


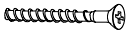
B1x1



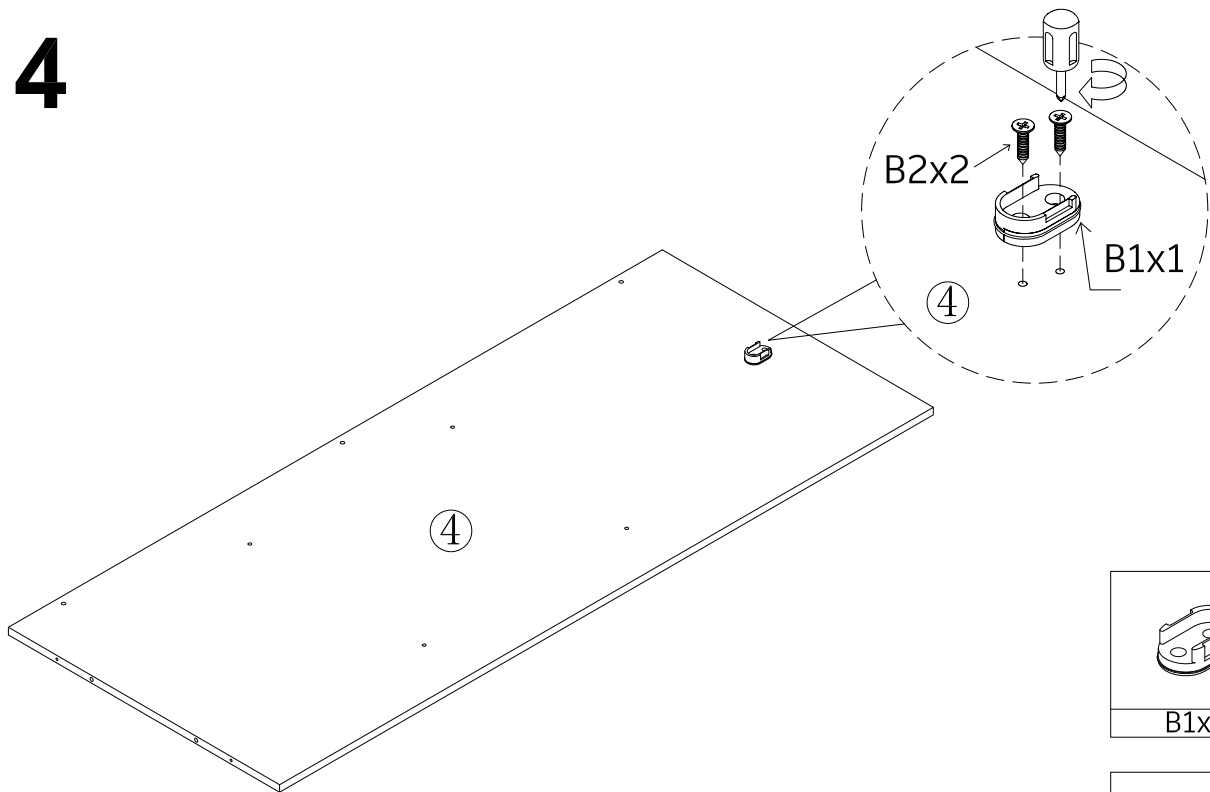
M3.5*16
B2x2


3





M5*40
Cx3

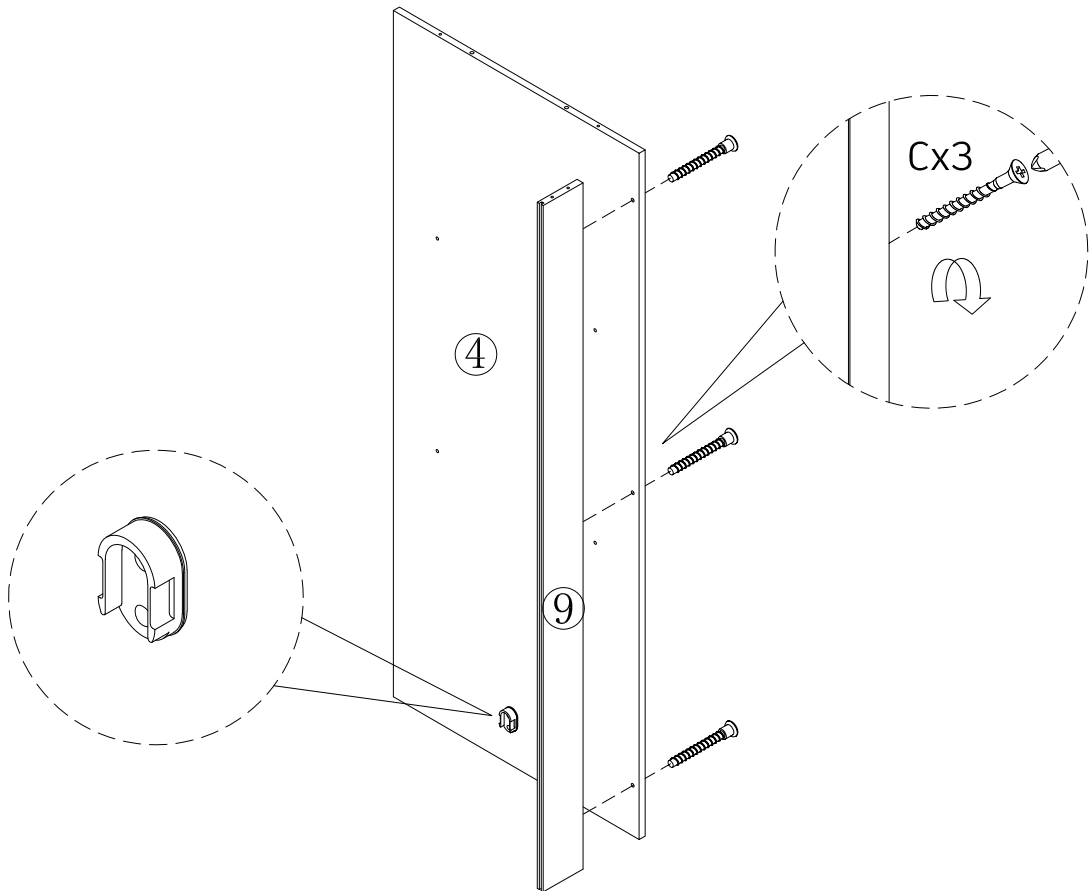
4

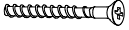



B1x1

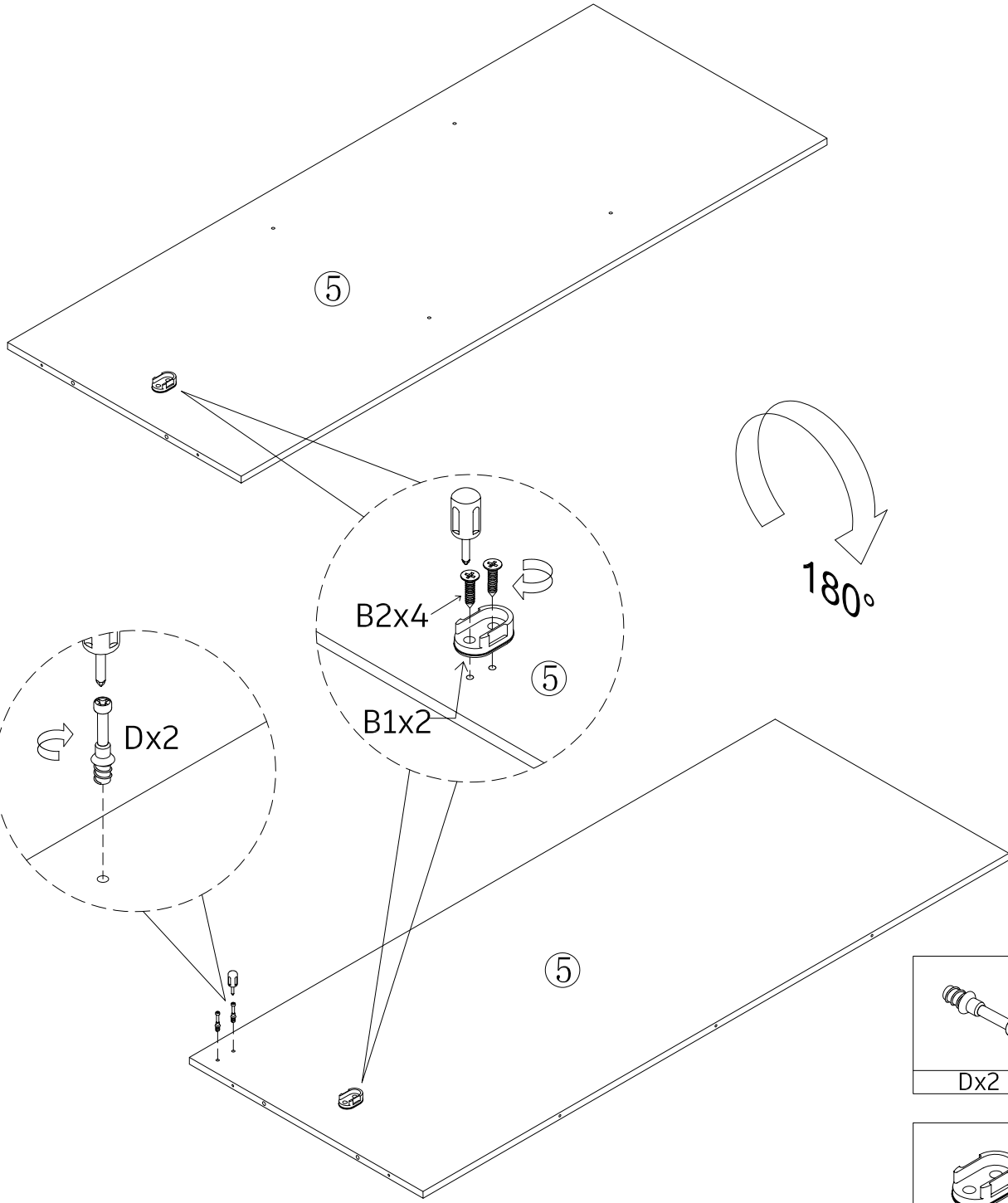
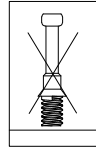
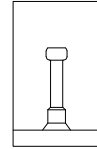
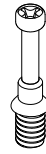

M3.5*16
B2x2

5




M5*40
Cx3

6



180°

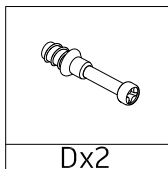
5

5

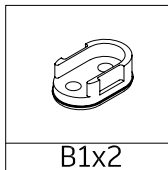
B2x4

B1x2

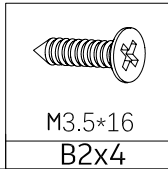
Dx2



Dx2



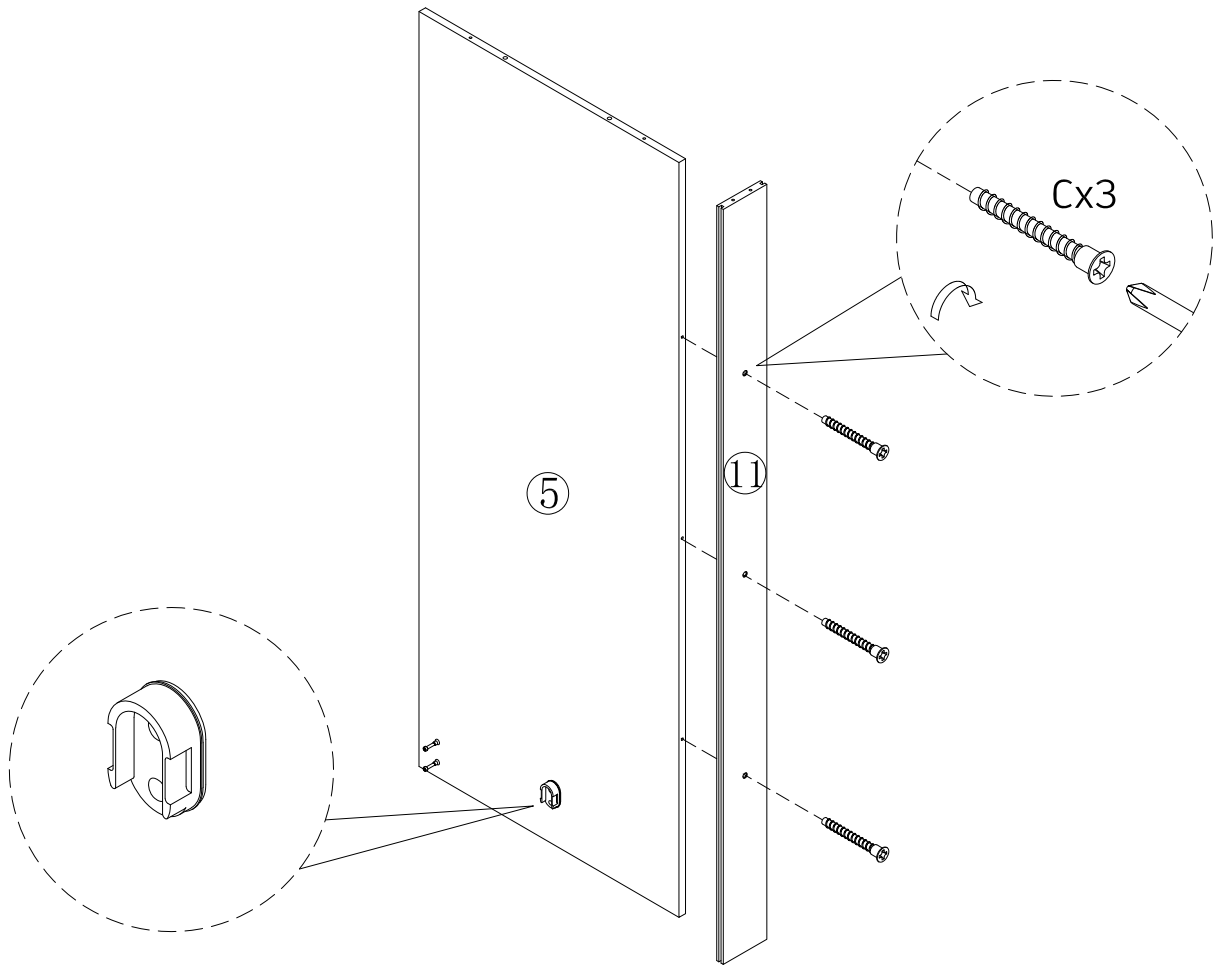
B1x2

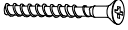


M3.5*16

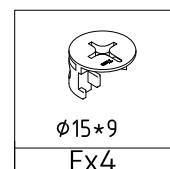
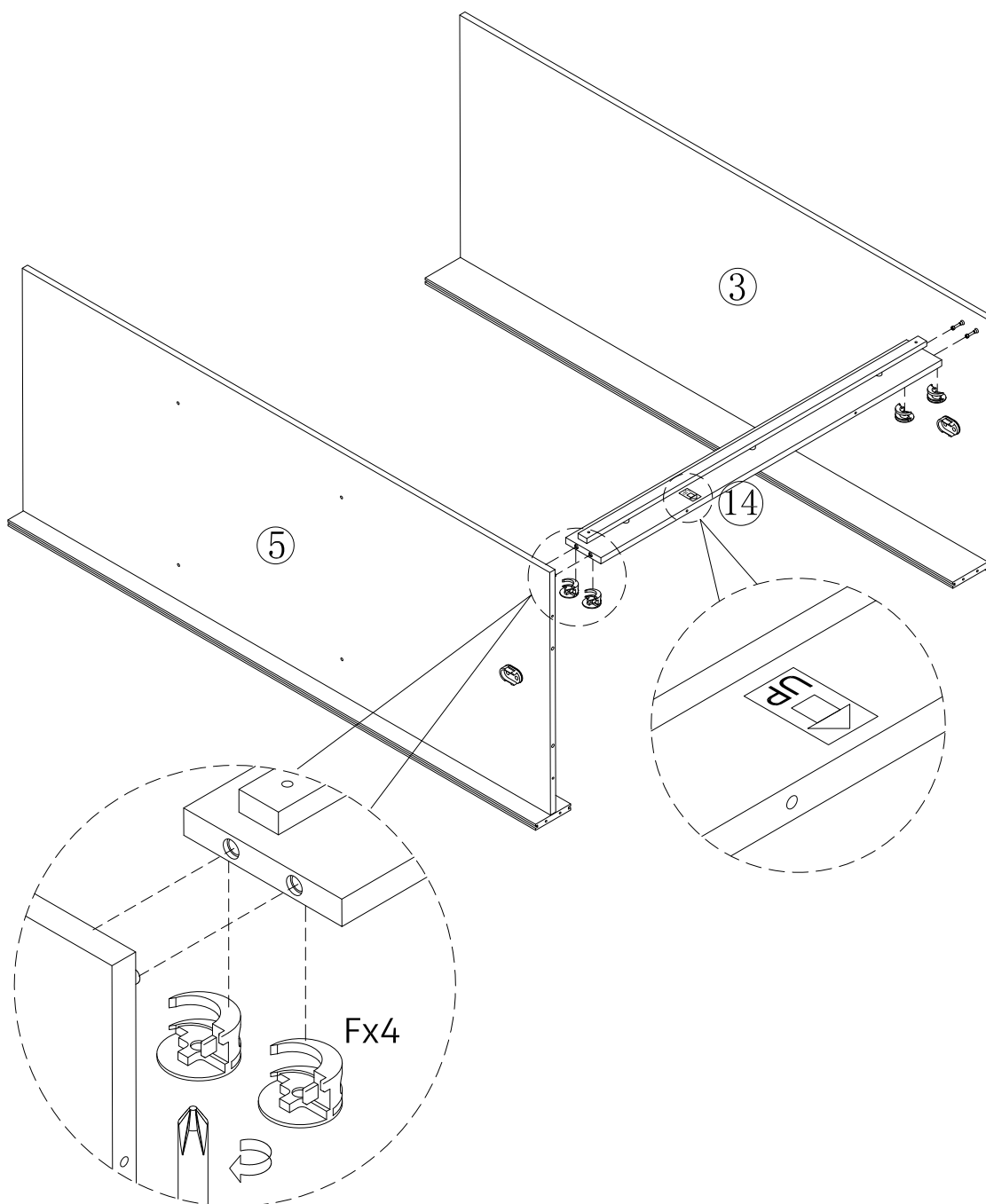
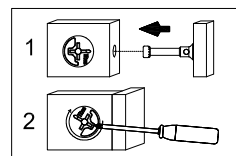
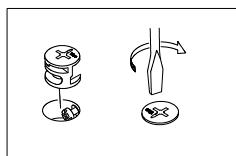
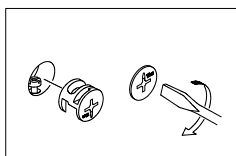
B2x4

7

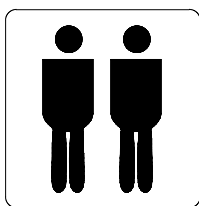



M5*40
Cx3

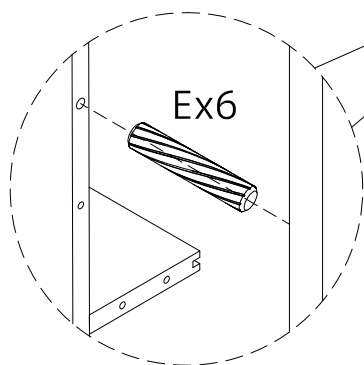
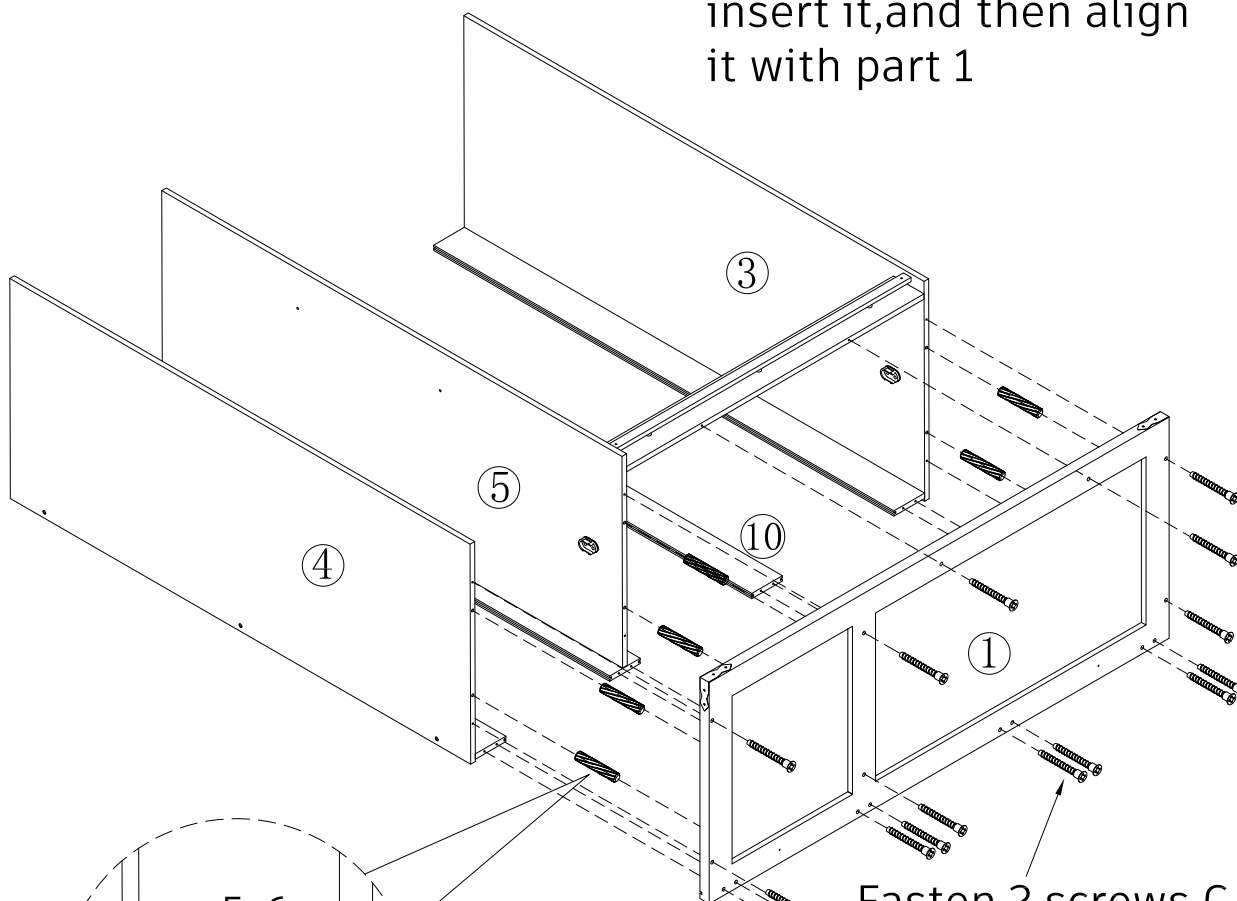
8



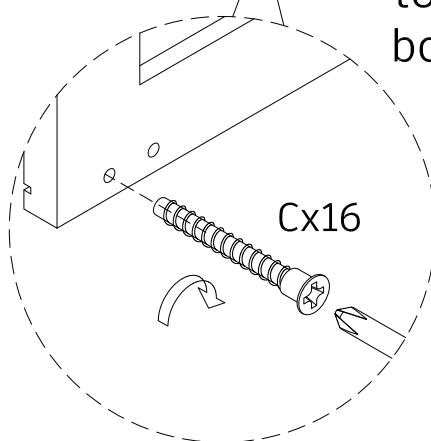
9



Align component E with parts 3, 4 and 5 first, insert it, and then align it with part 1

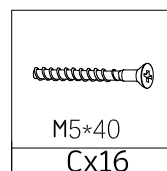
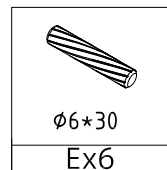


Ex6



Cx16

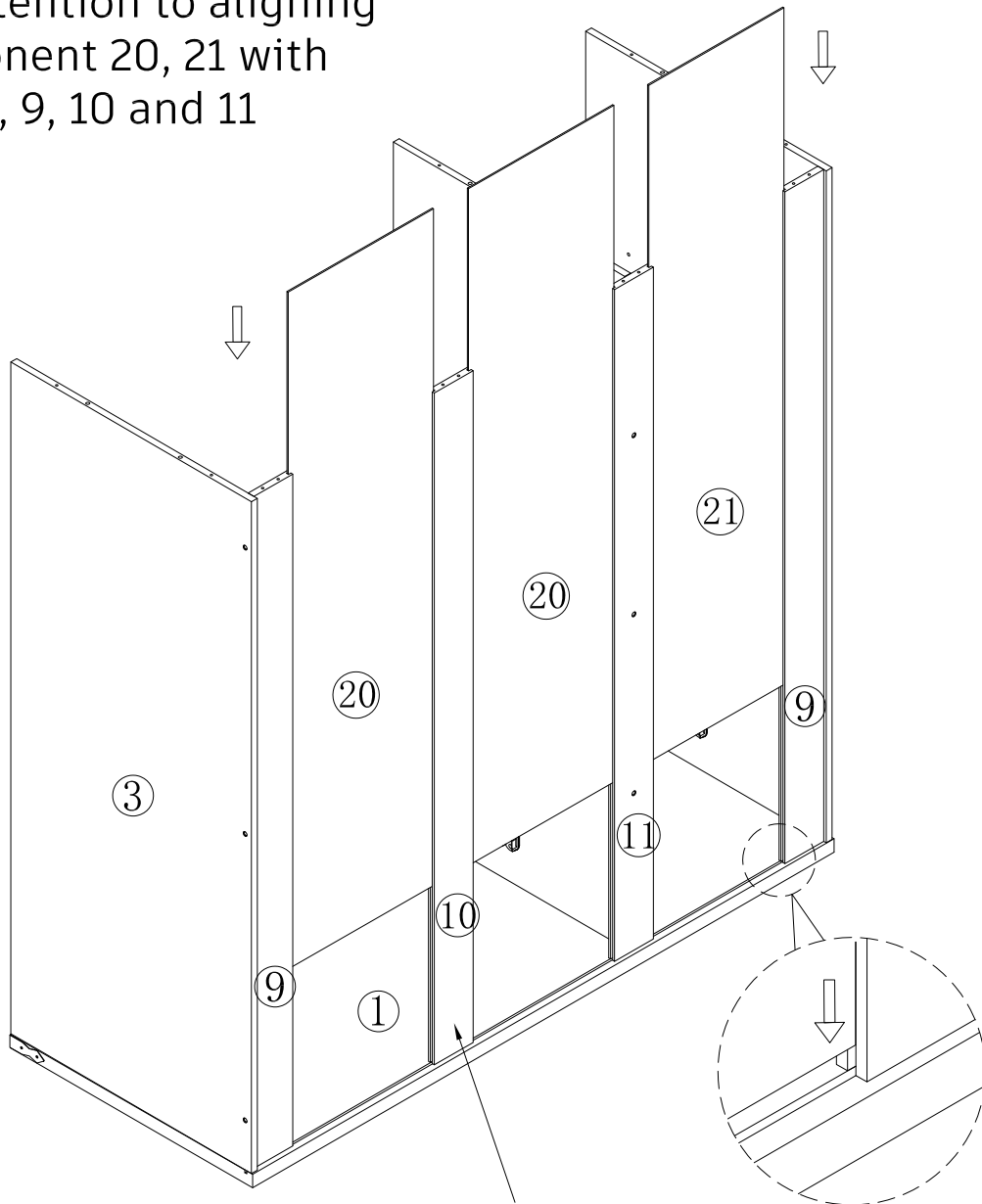
Fasten 2 screws C to board 10 through board 1



10

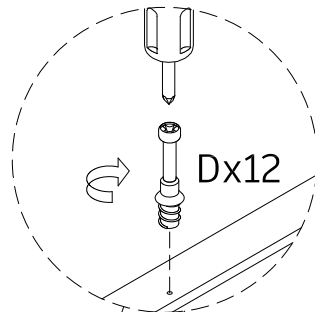
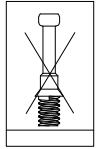
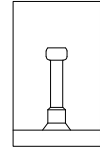
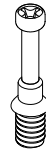


According to the previous step
Rotate the cabinet clockwise by 90°.
Pay attention to aligning
component 20, 21 with
slots 1, 9, 10 and 11

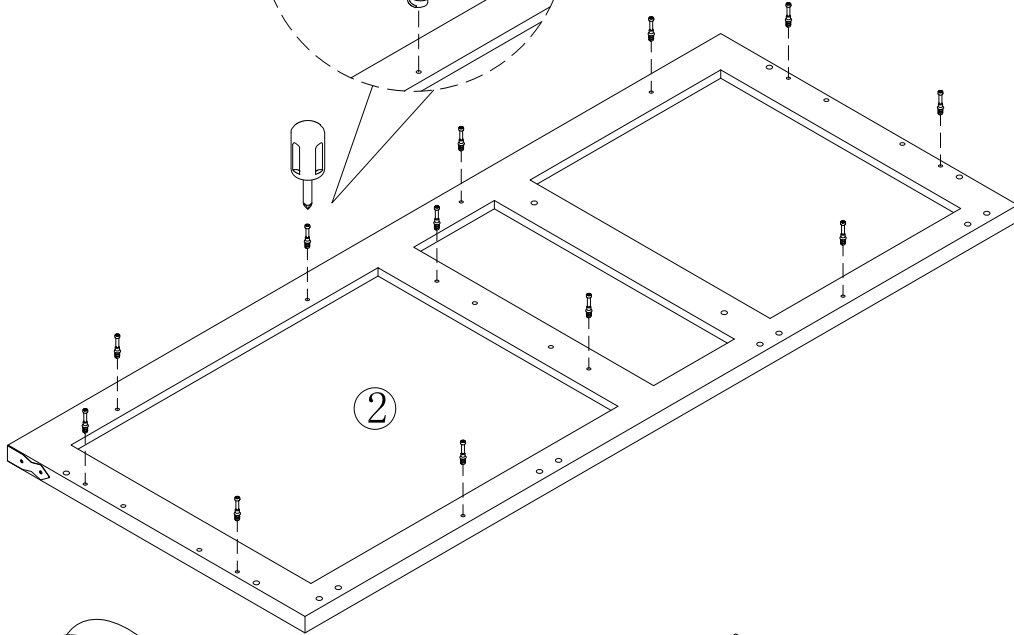


Attention: There is a chance board 10
may crack when rotating the cabinet.
Please rotate it carefully.

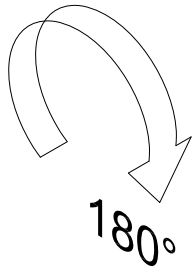
11



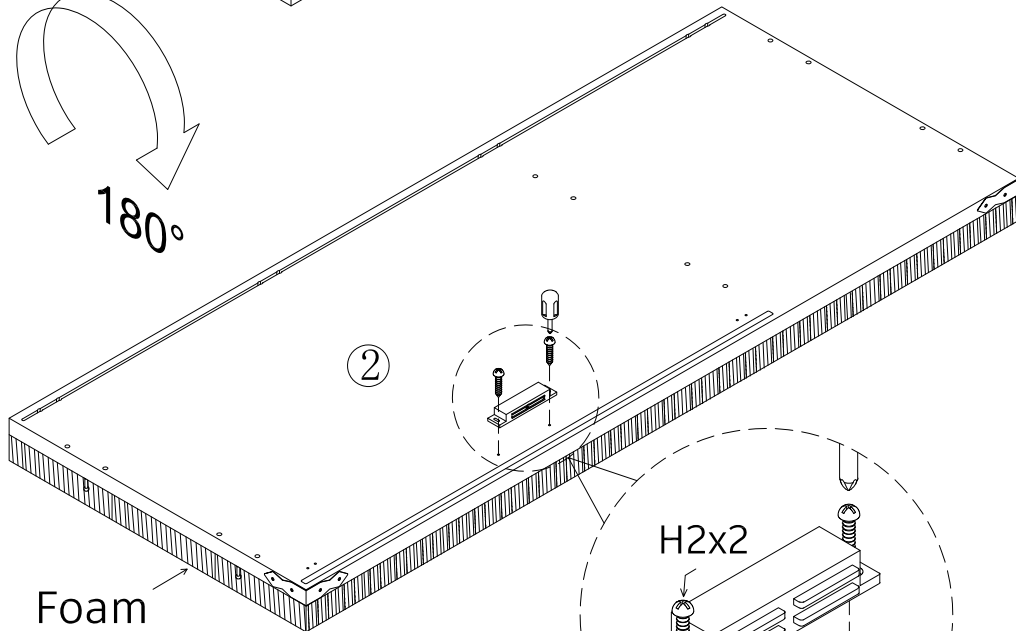
Dx12



2

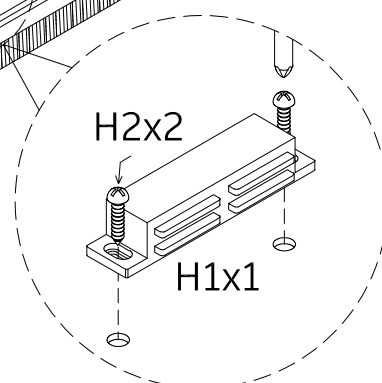


180°



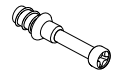
Foam

2

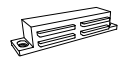


H2x2

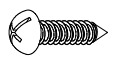
H1x1



Dx12



H1x1



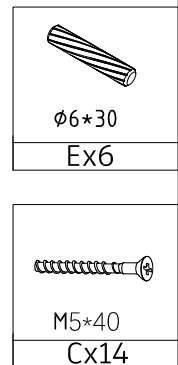
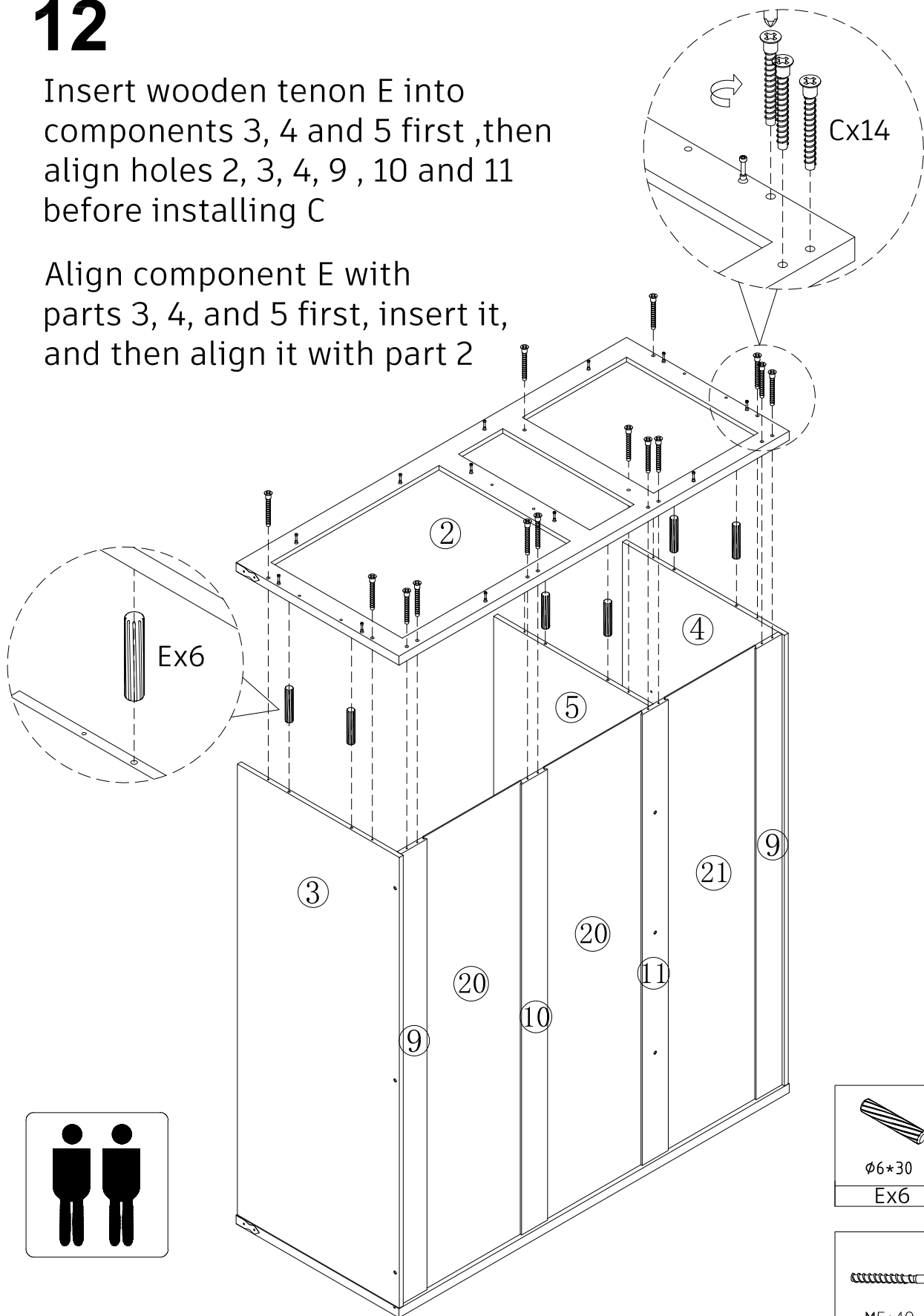
M3x16

H2x2

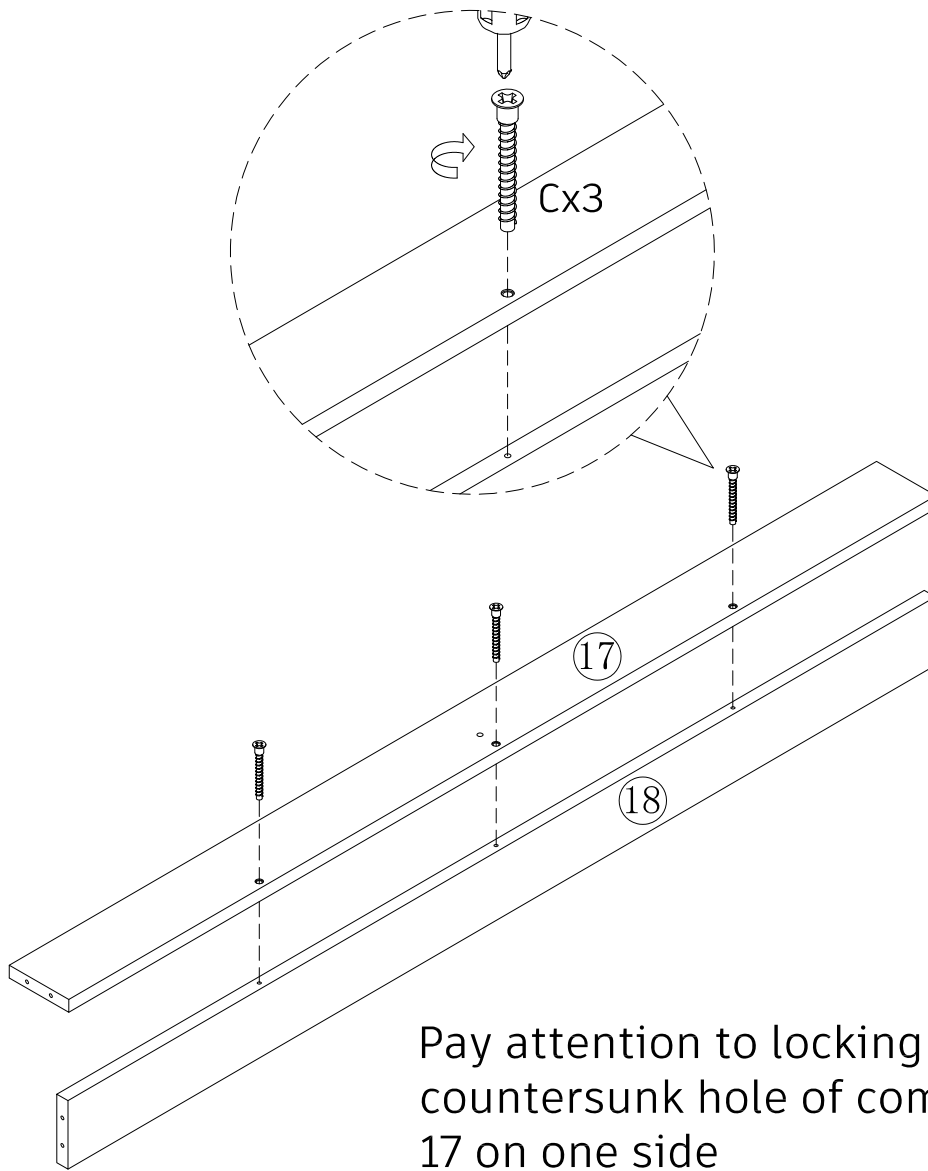
12

Insert wooden tenon E into components 3, 4 and 5 first, then align holes 2, 3, 4, 9, 10 and 11 before installing C

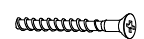
Align component E with parts 3, 4, and 5 first, insert it, and then align it with part 2



13

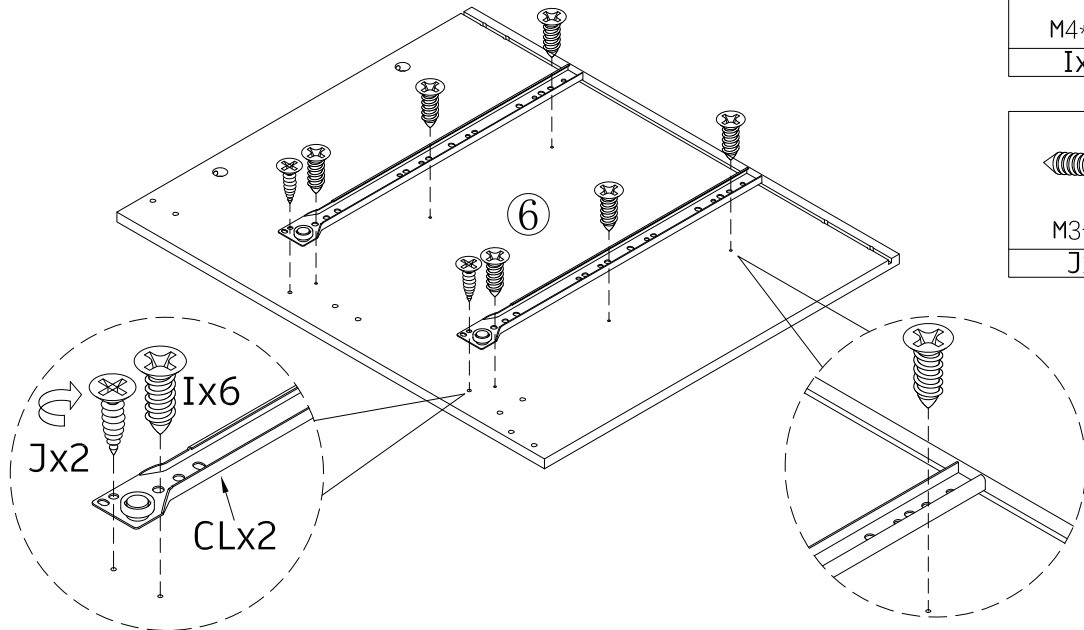
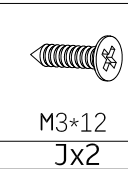
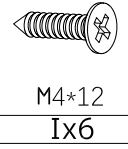
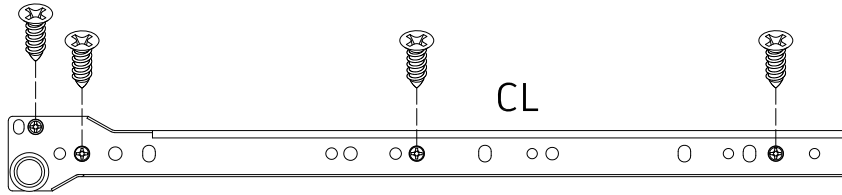


Pay attention to locking the countersunk hole of component 17 on one side

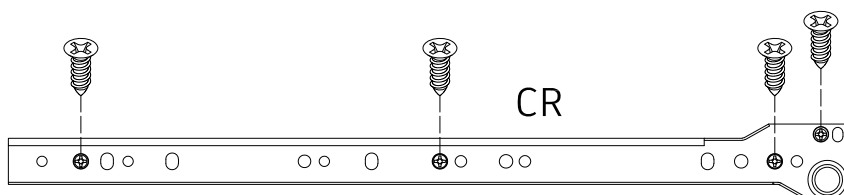
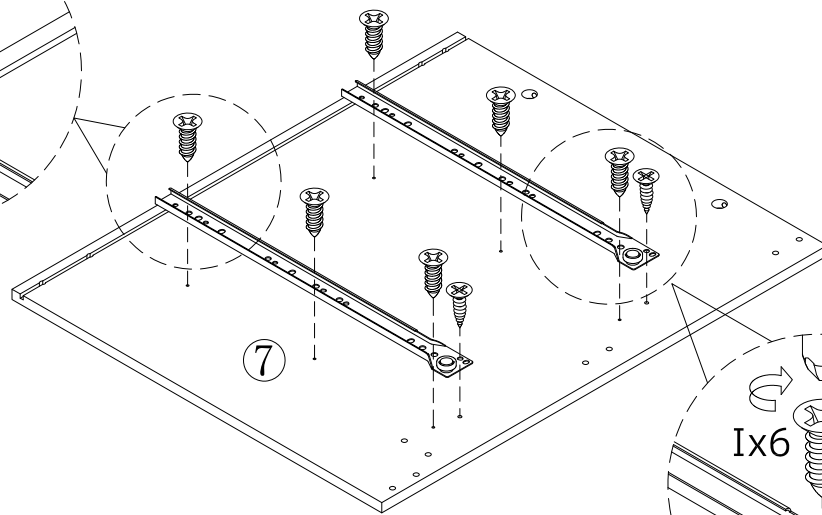
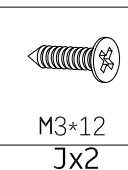
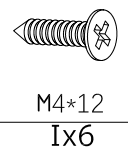
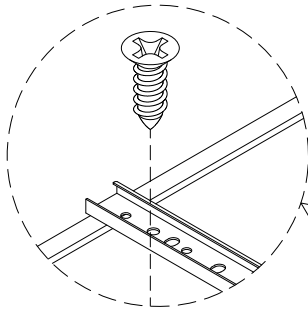


M5x40
Cx3

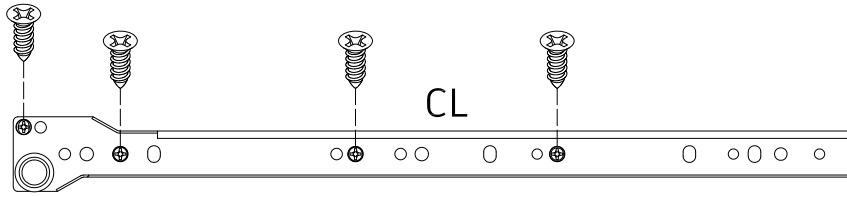
14



15



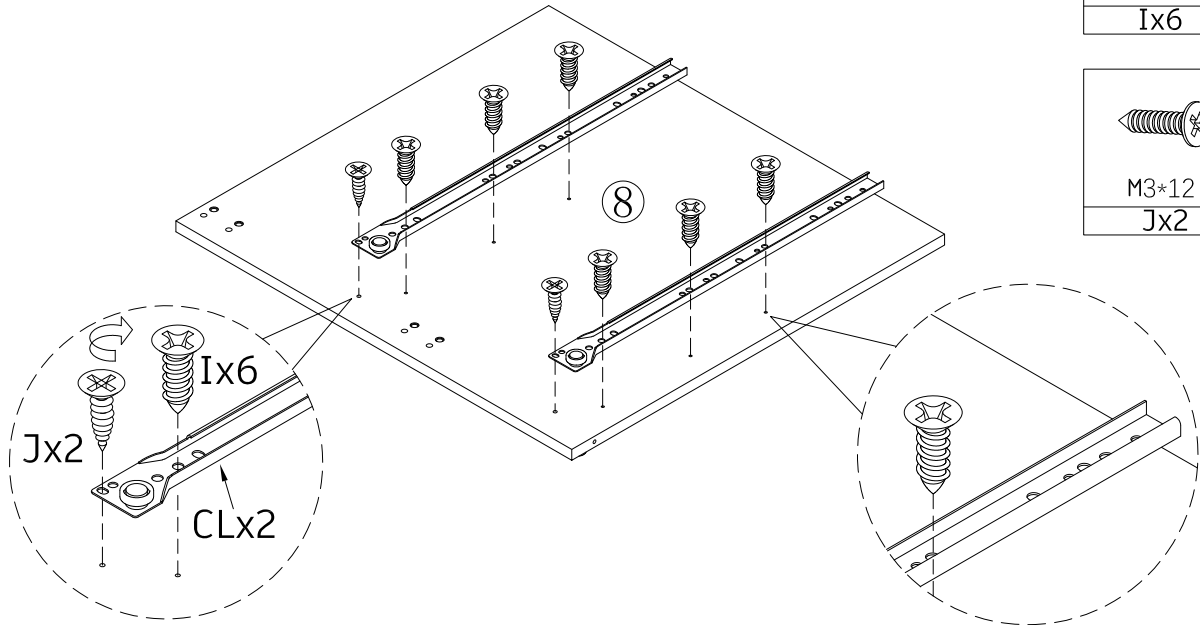
16



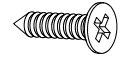
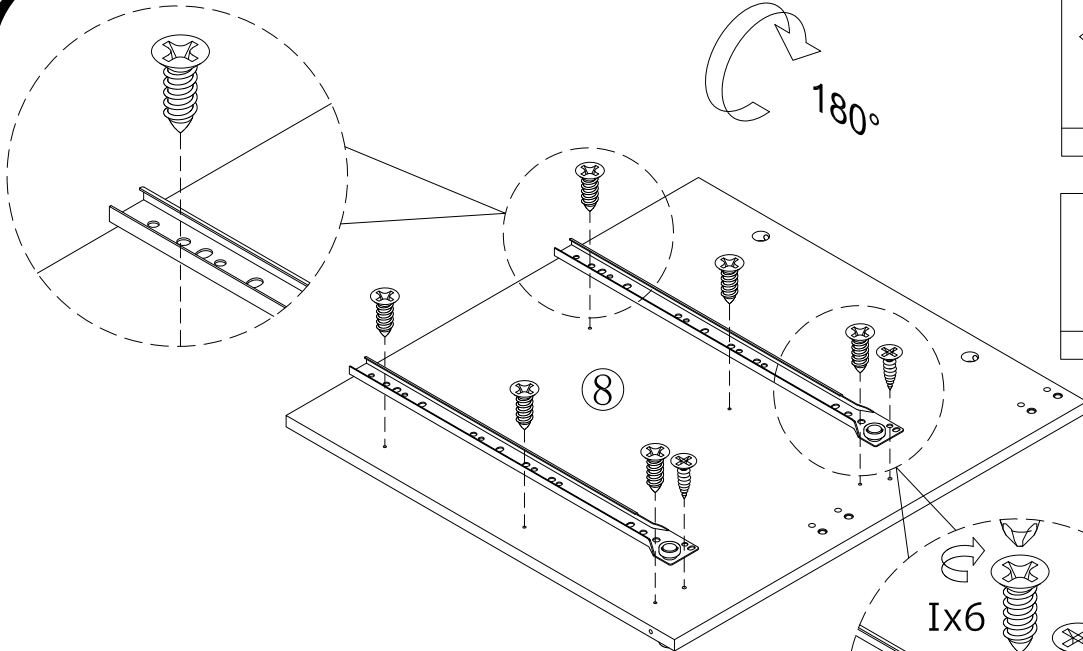
M4*12
Ix6



M3*12
Jx2



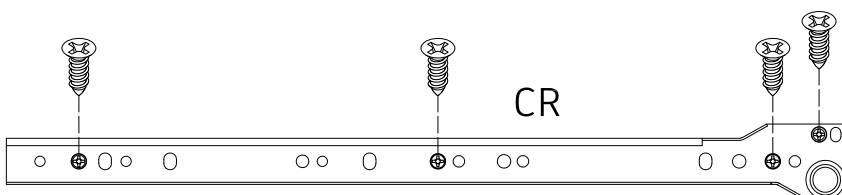
17



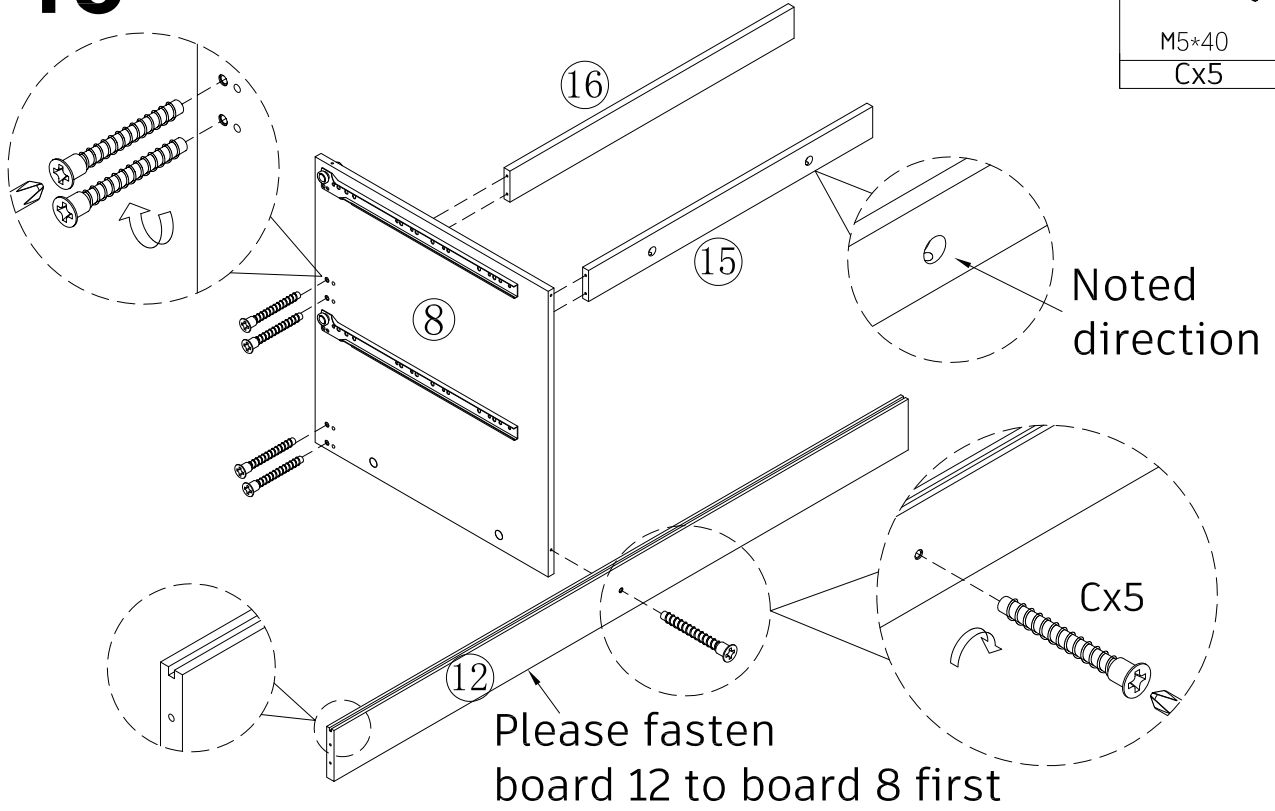
M4*12
Ix6



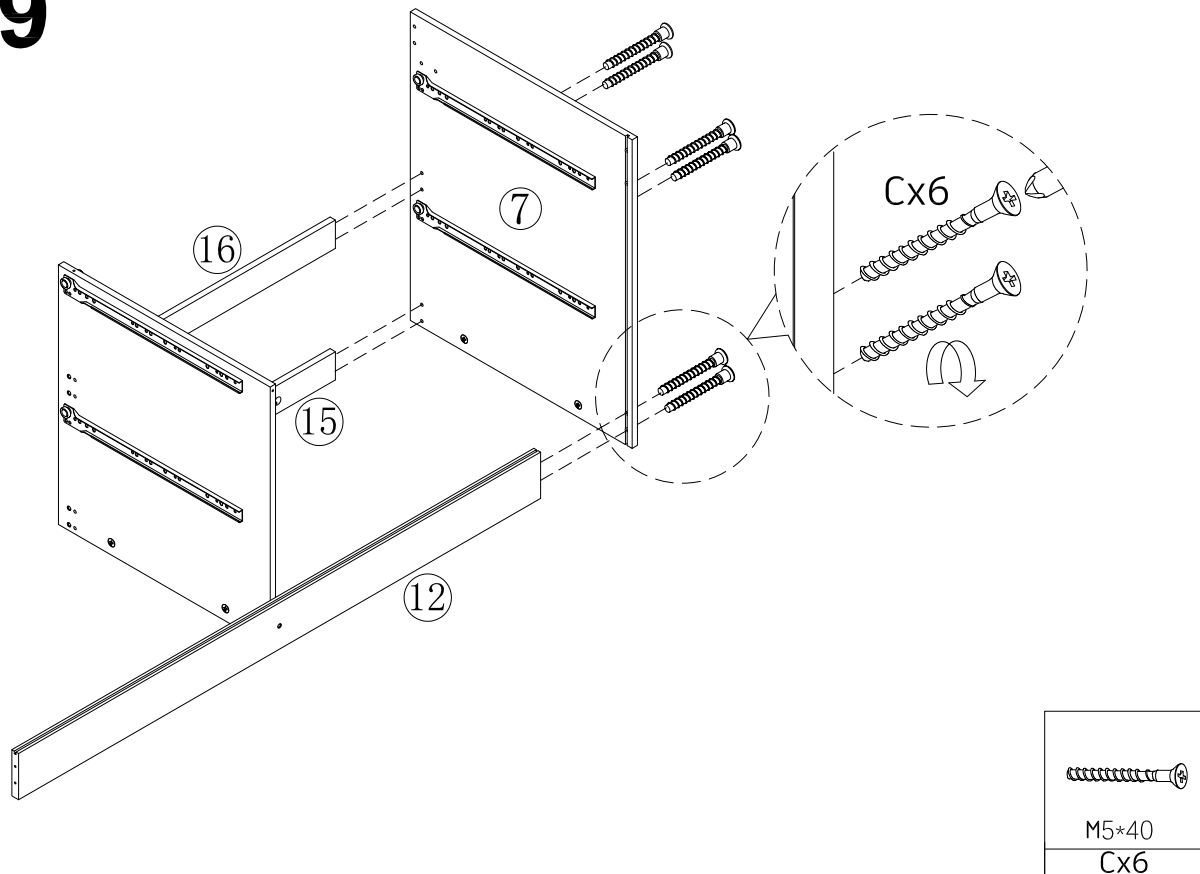
M3*12
Jx2



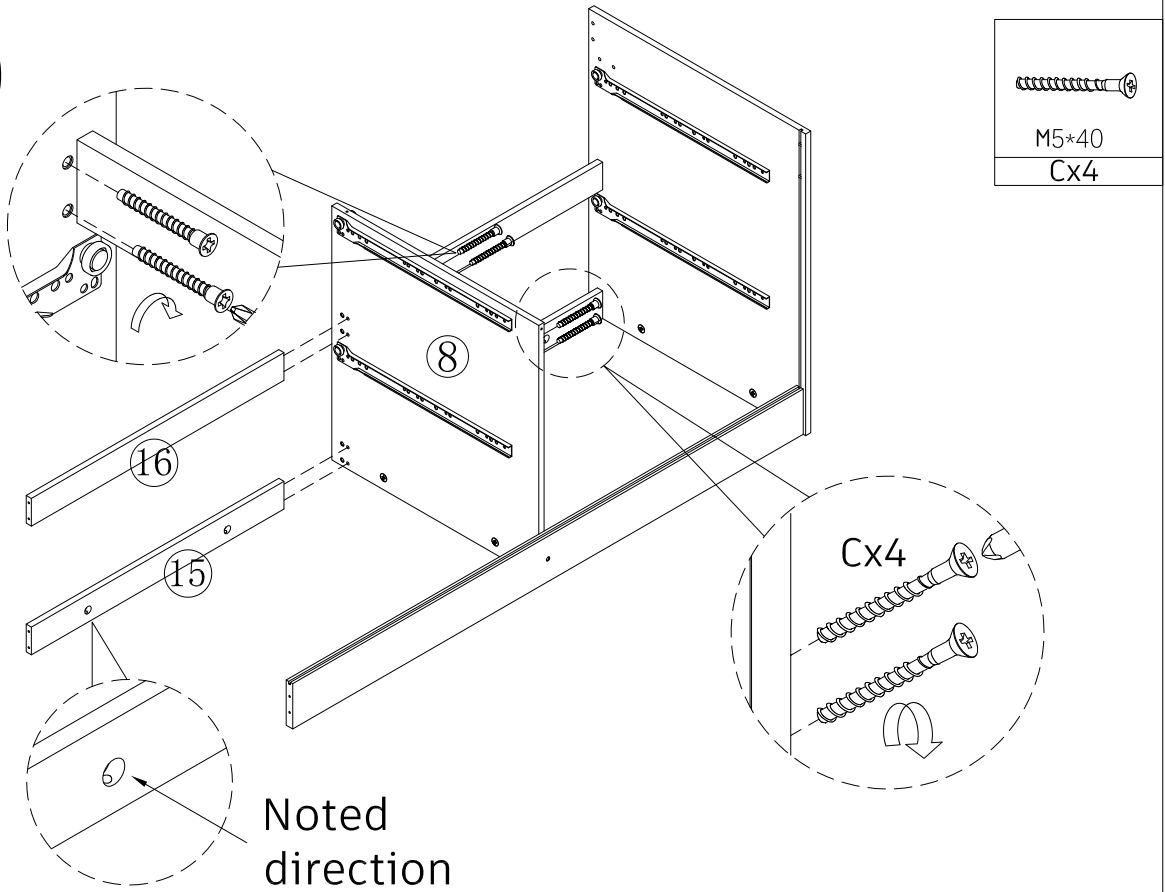
18



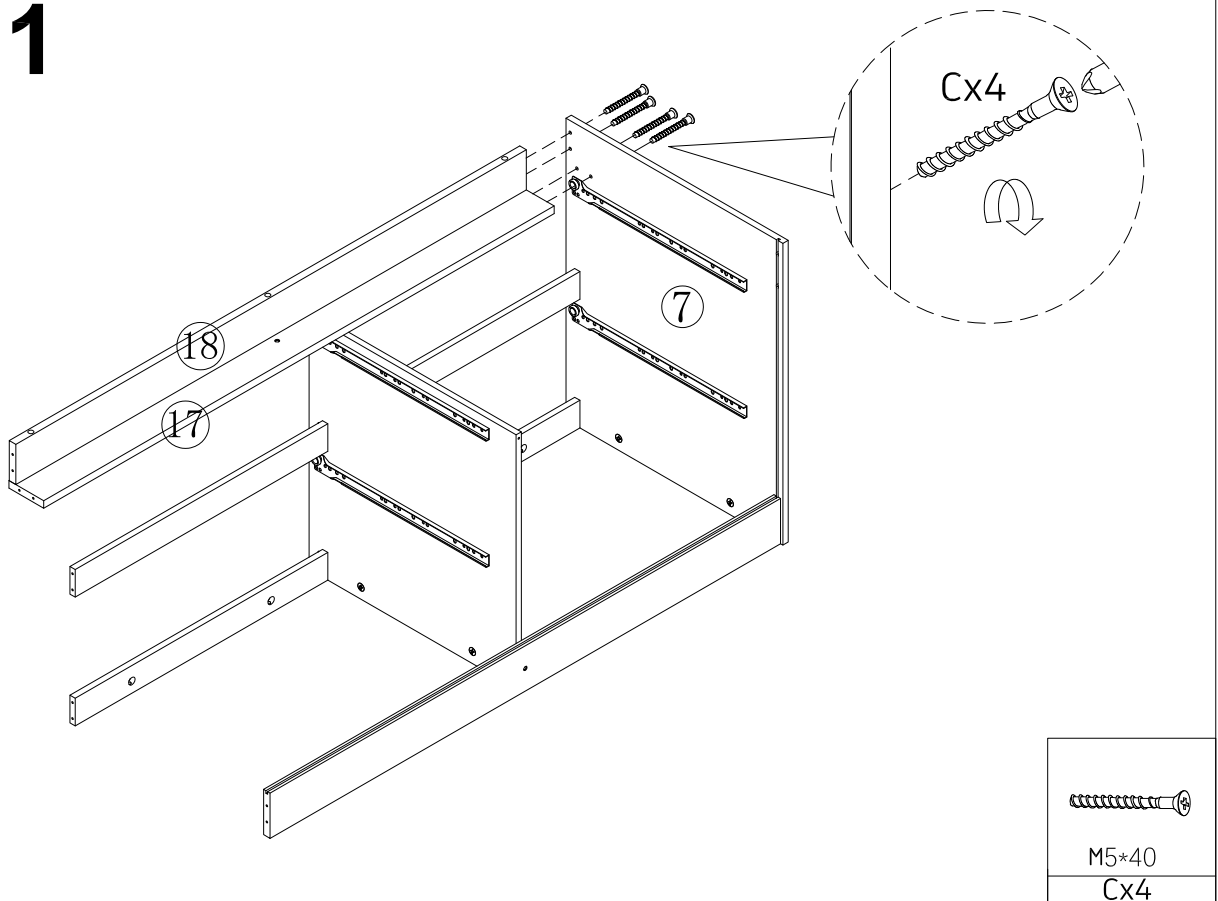
19



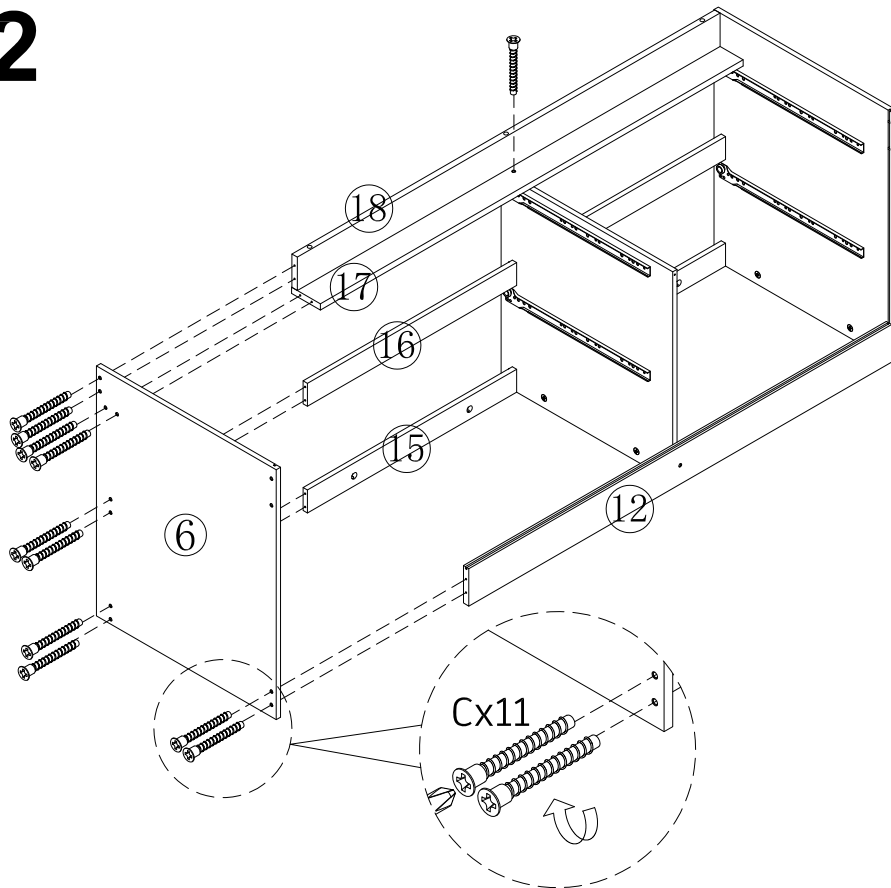
20

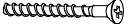


21

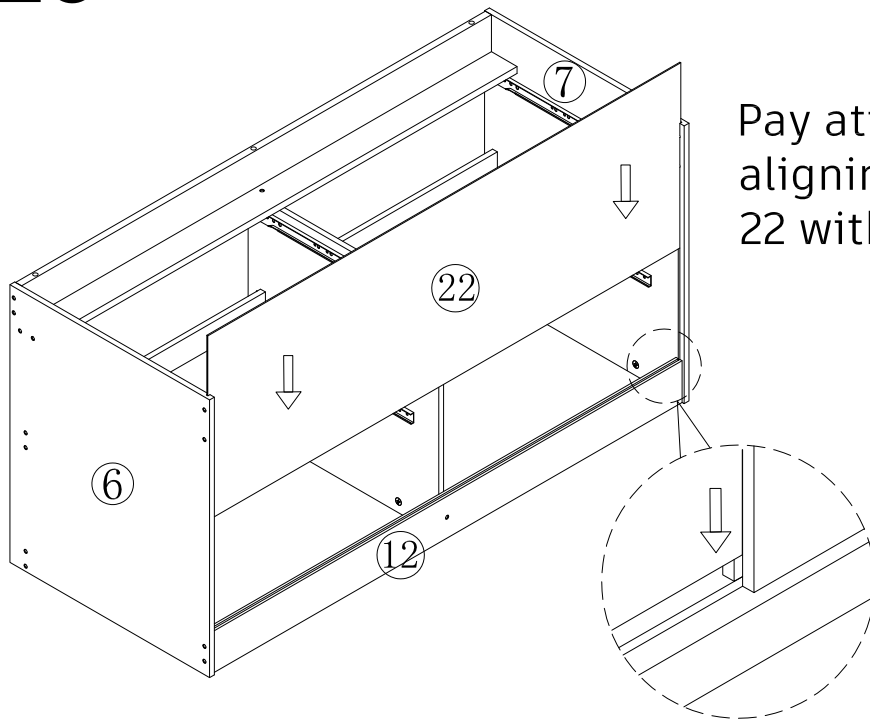


22



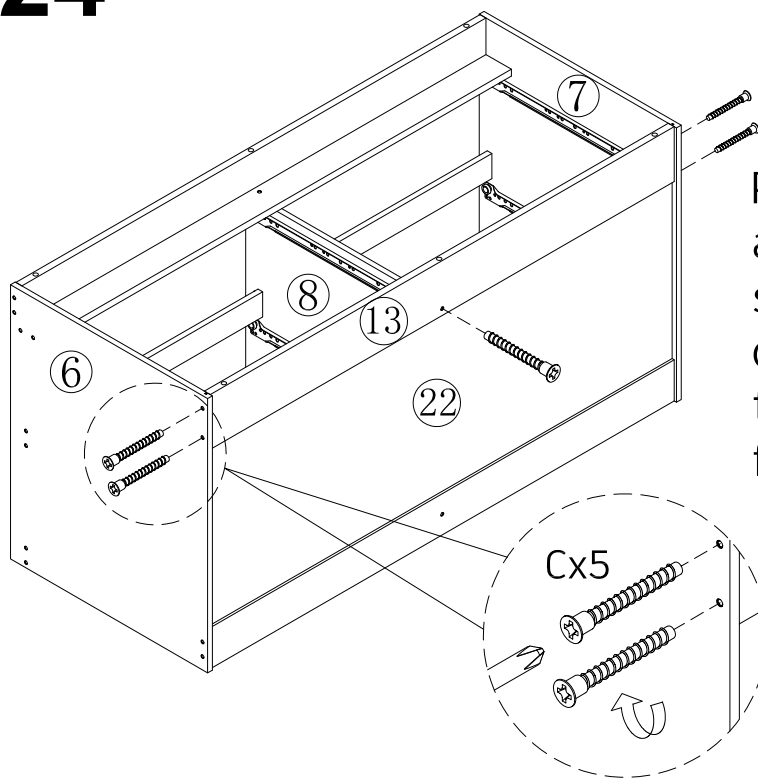

M5*40
Cx11

23

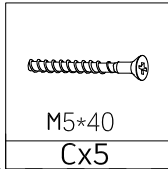


Pay attention to aligning component 22 with slots 6, 7 and 12

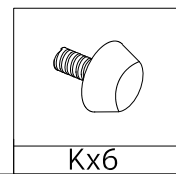
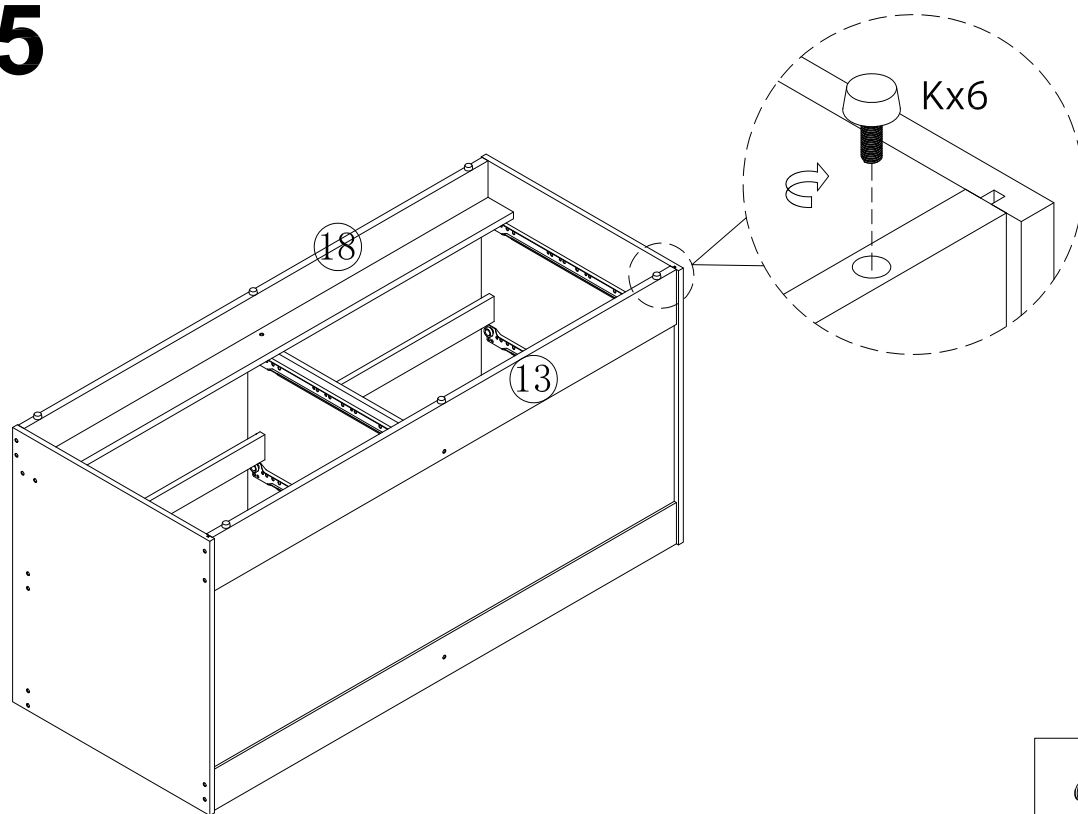
24



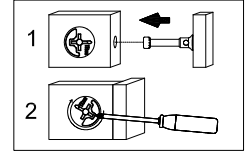
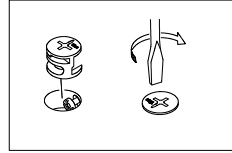
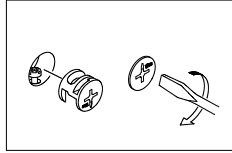
Pay attention to aligning the hole and slot positions of component 22, with the side with the slot facing downwards



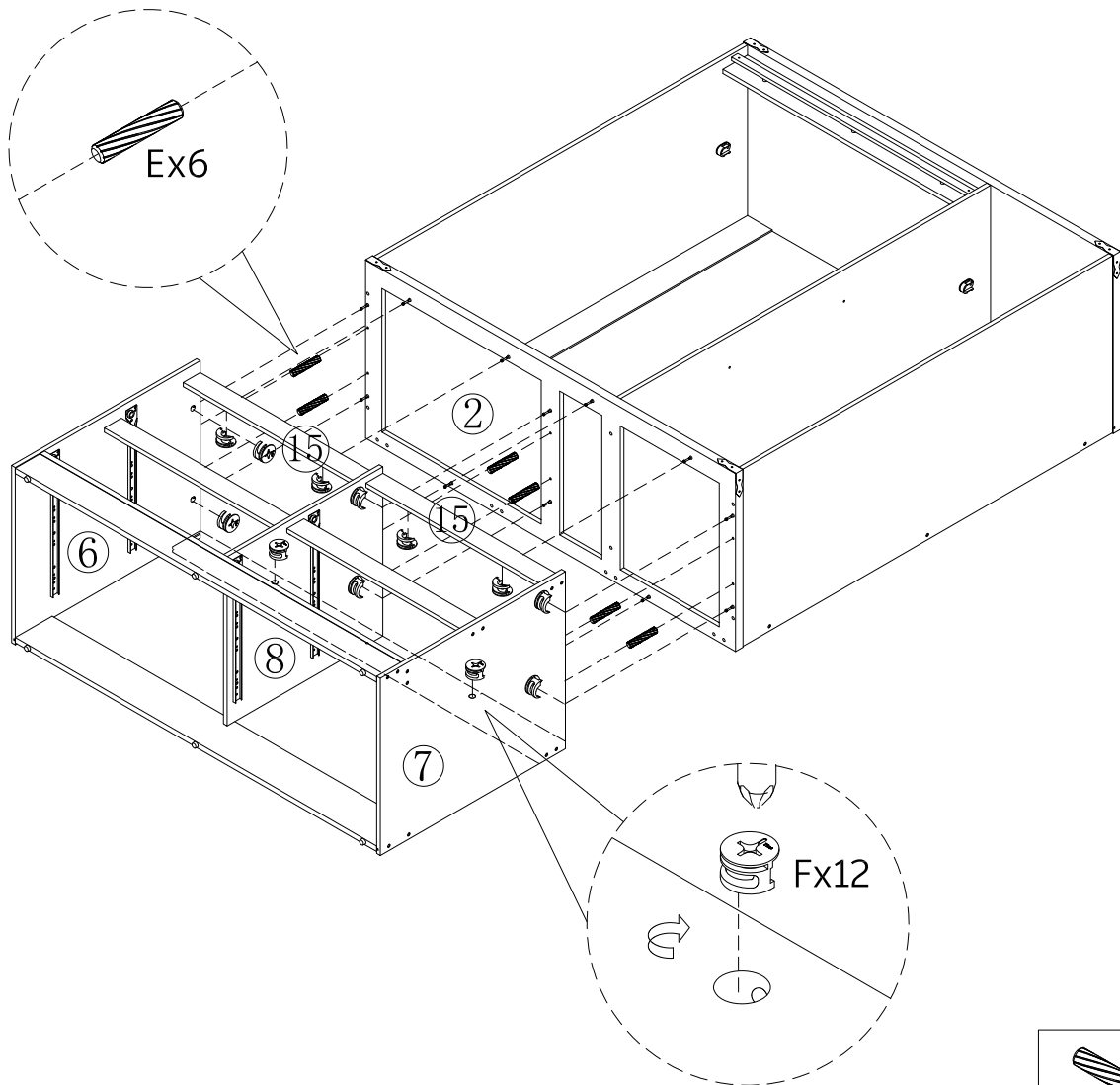
25



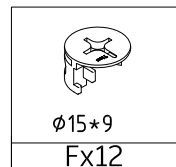
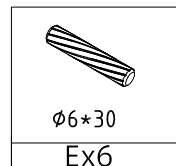
26



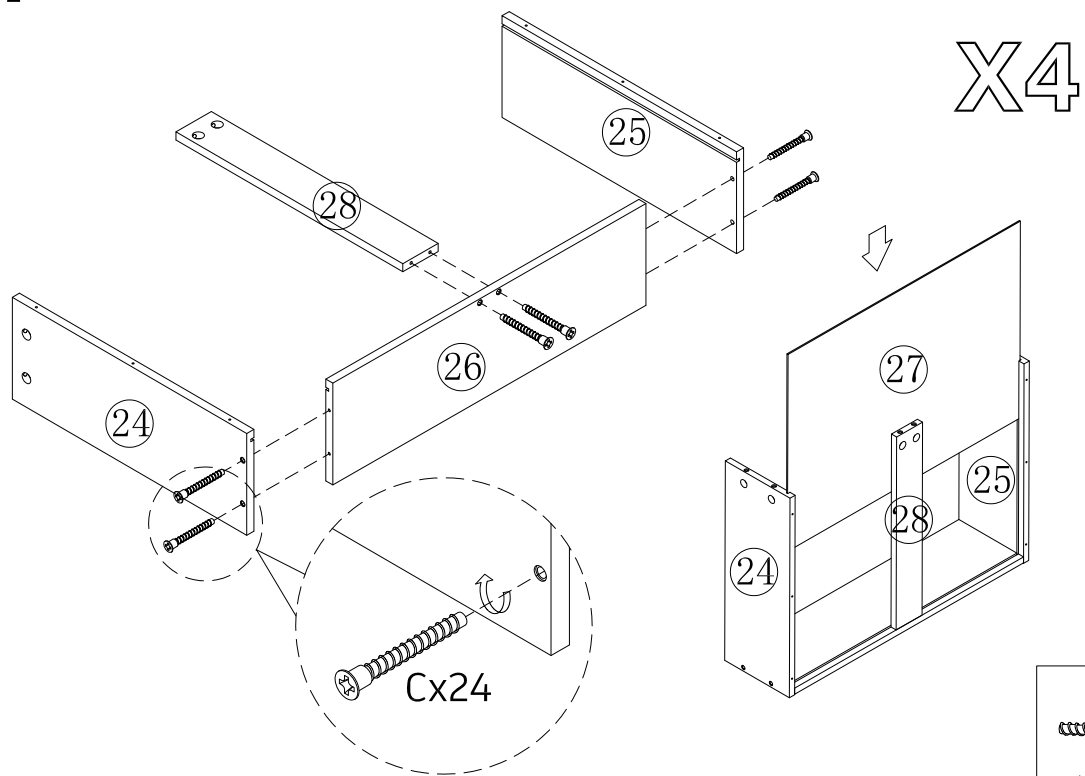
Align component E with parts 6, 7 and 8 first, insert it, and then align it with part 2



Attention: After this step is completed, two people are required to stand up the unit.

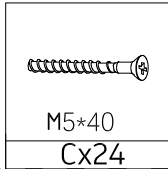


27

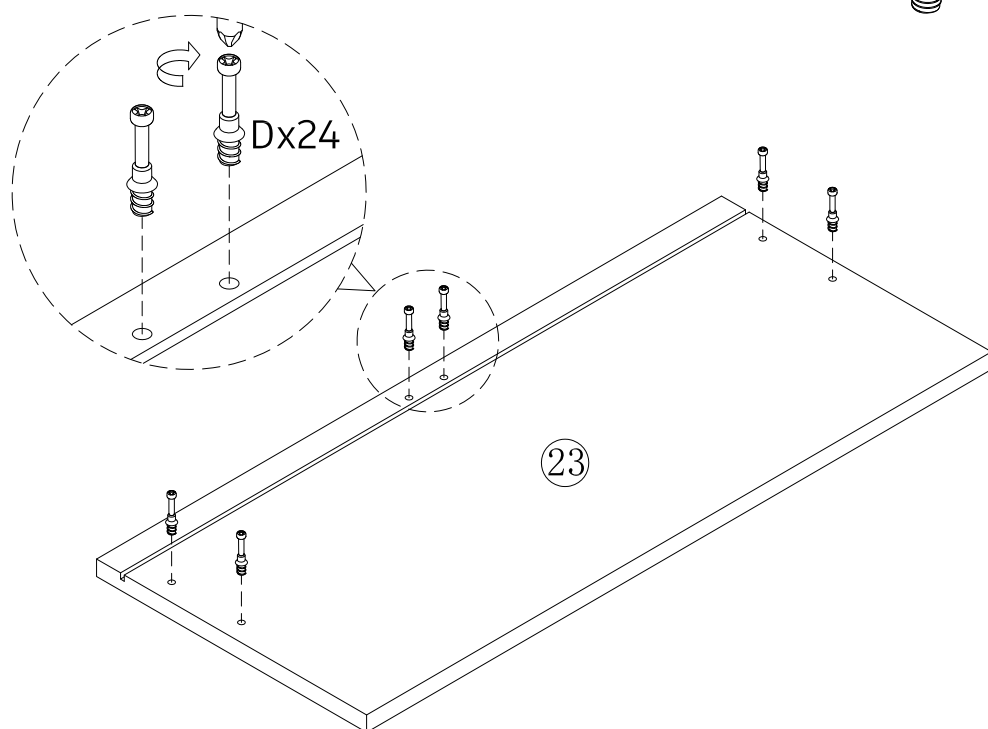


X4

Cx24

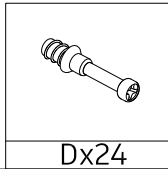
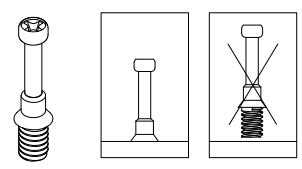


28



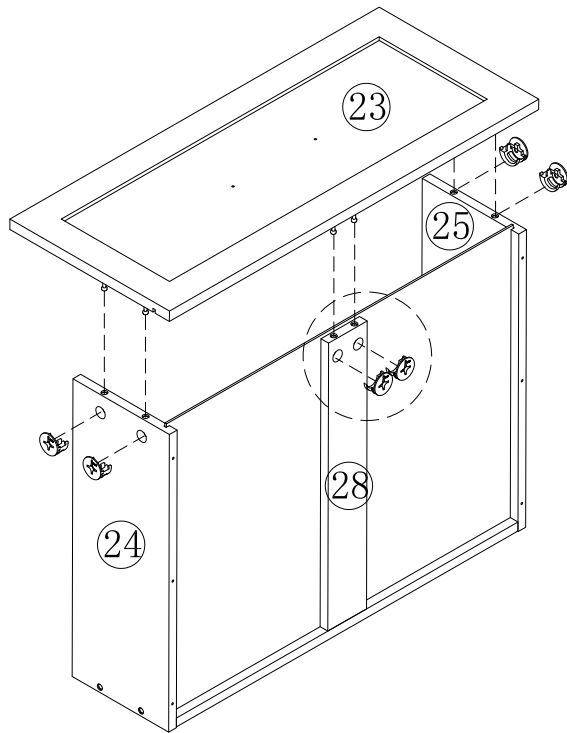
X4

Dx24

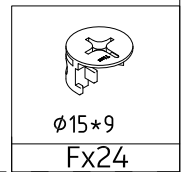
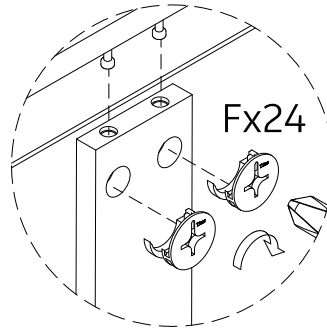


24

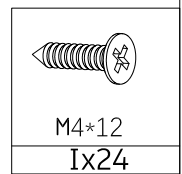
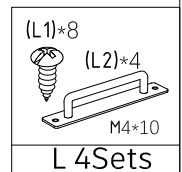
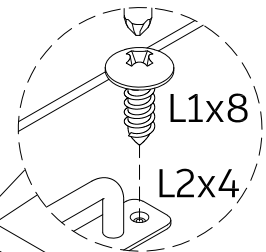
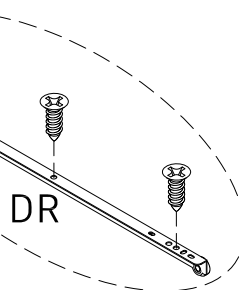
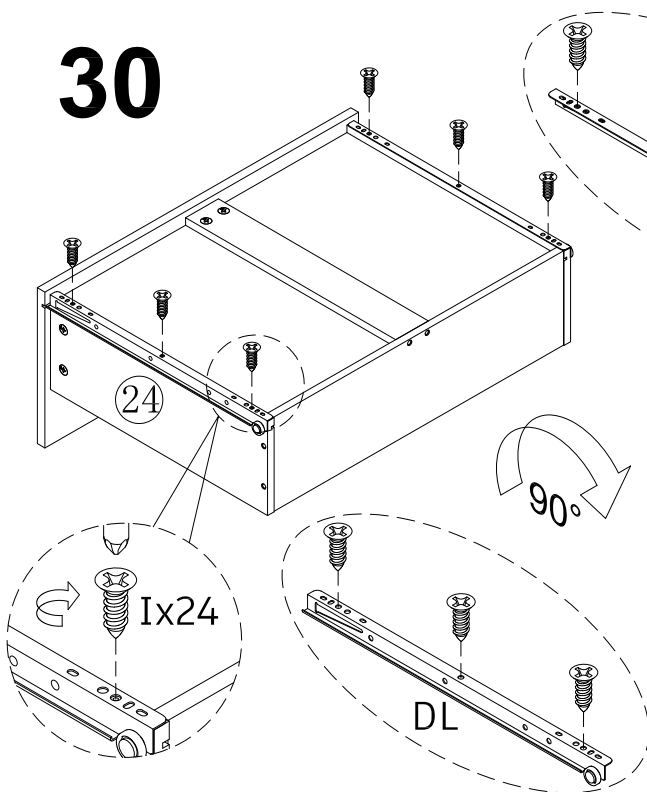
29



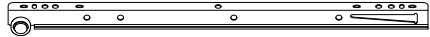
X4




30

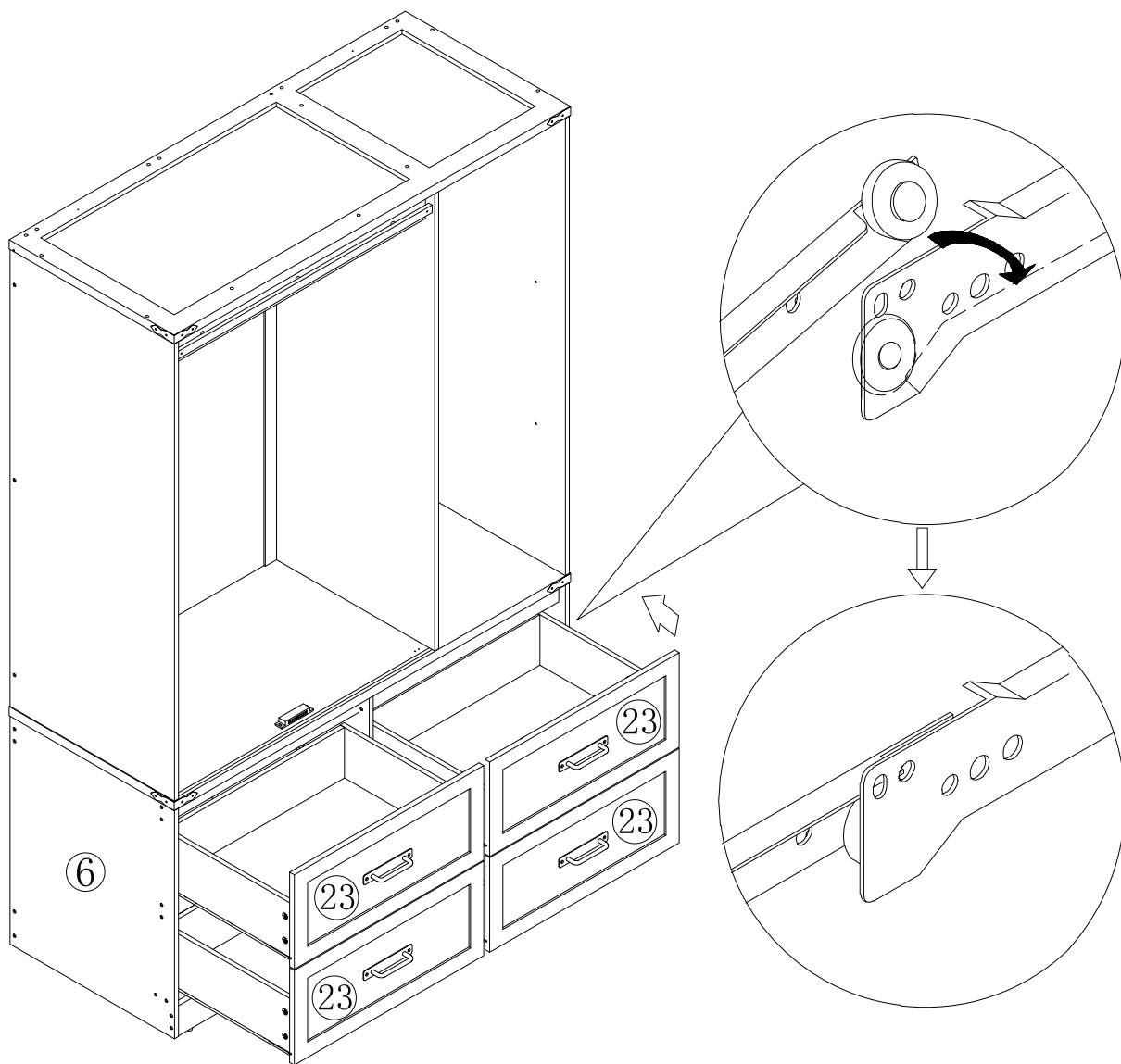


X4

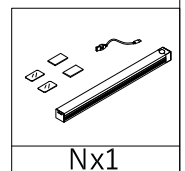
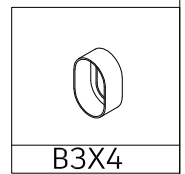
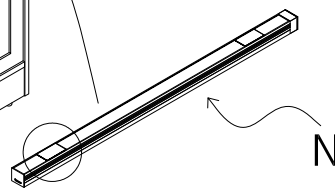
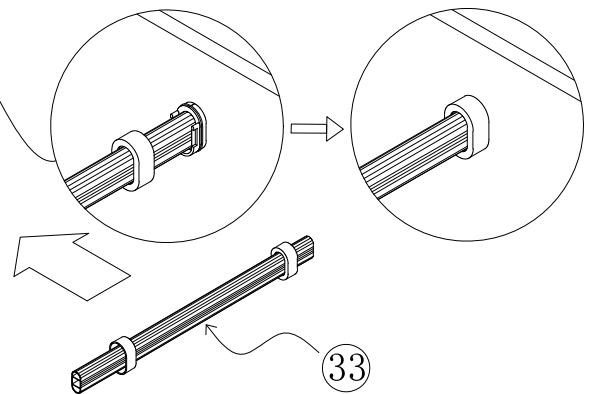
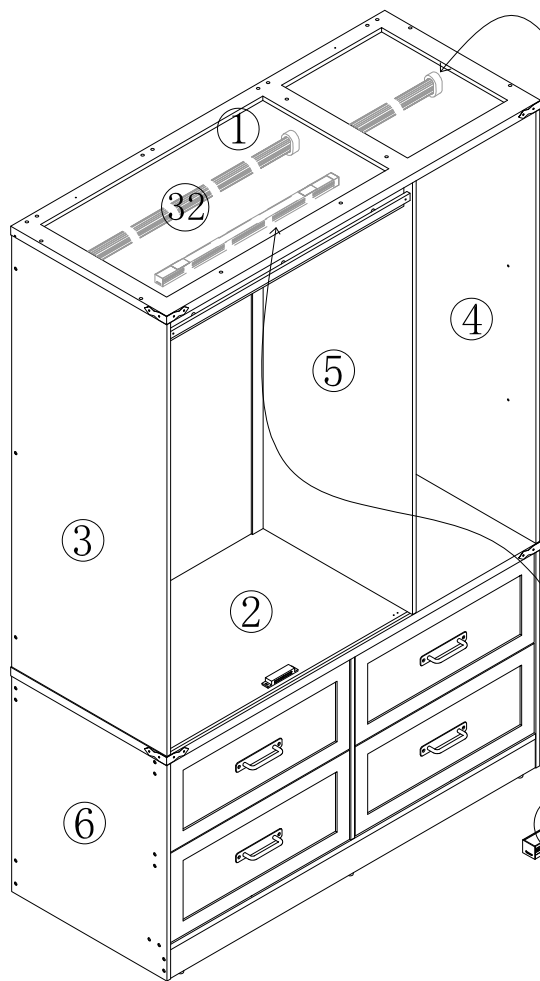
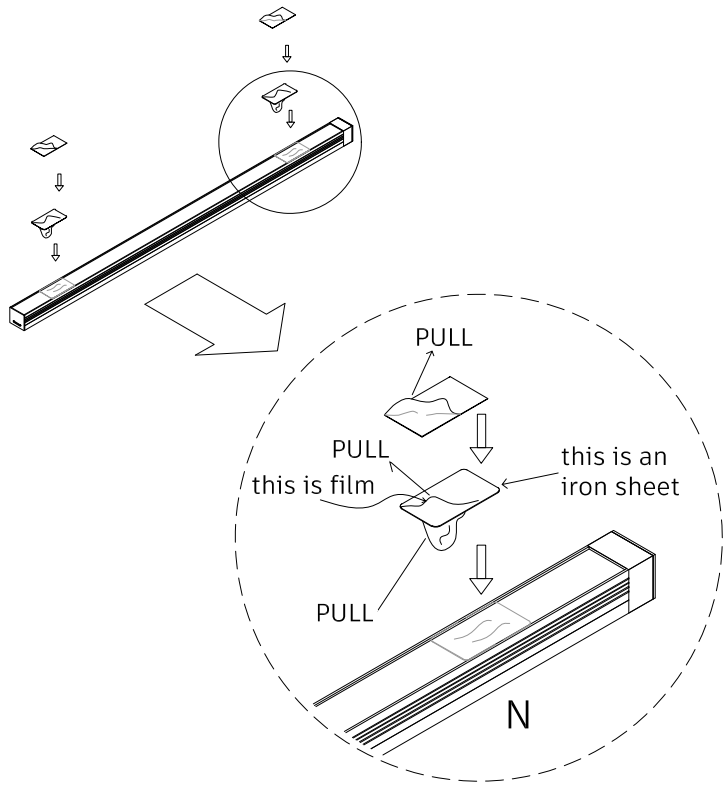
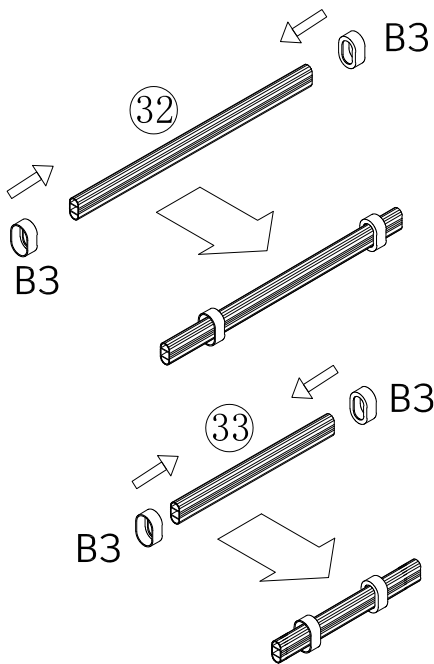
DR  X4

DL  X4

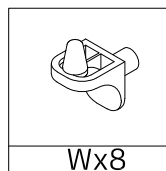
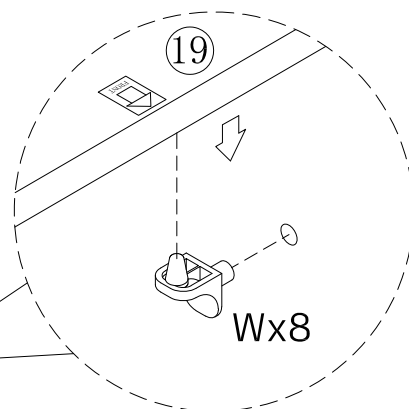
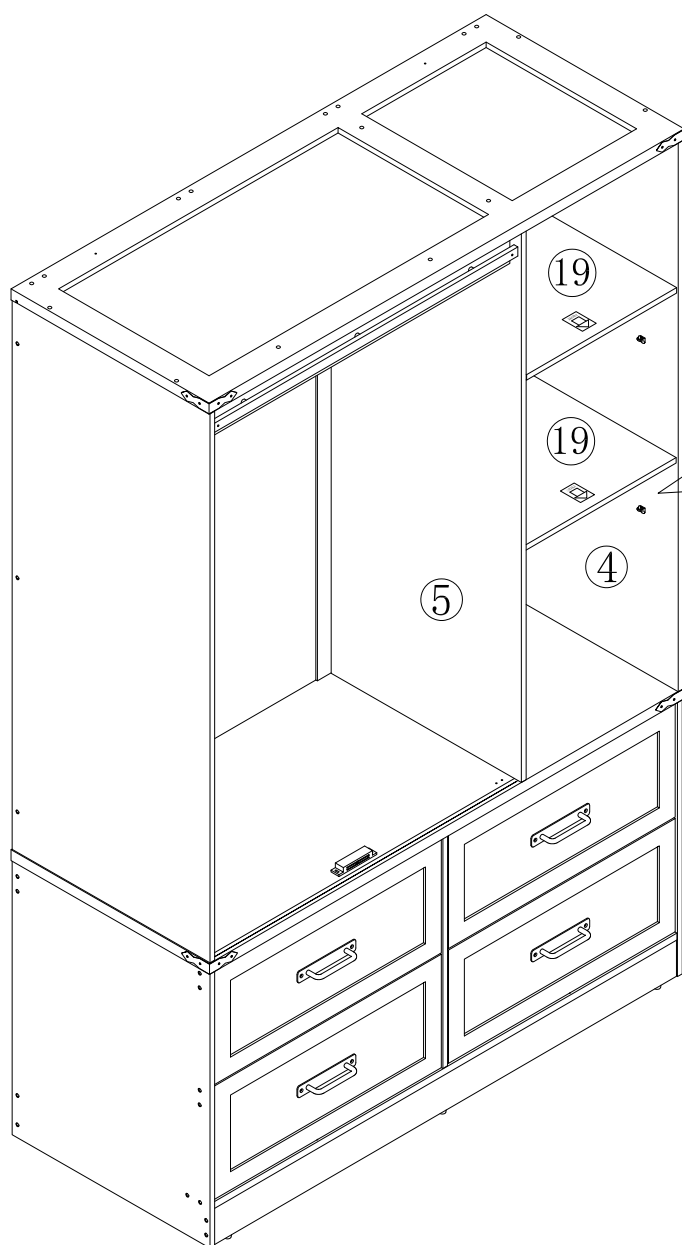
31



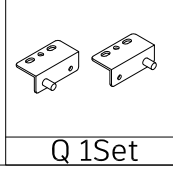
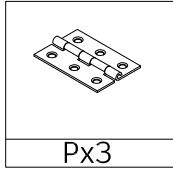
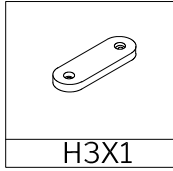
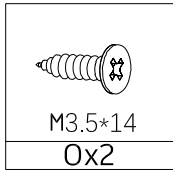
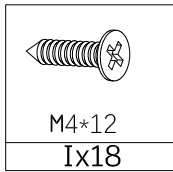
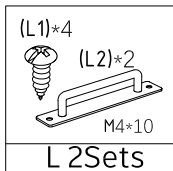
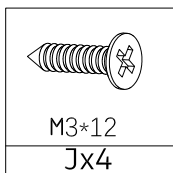
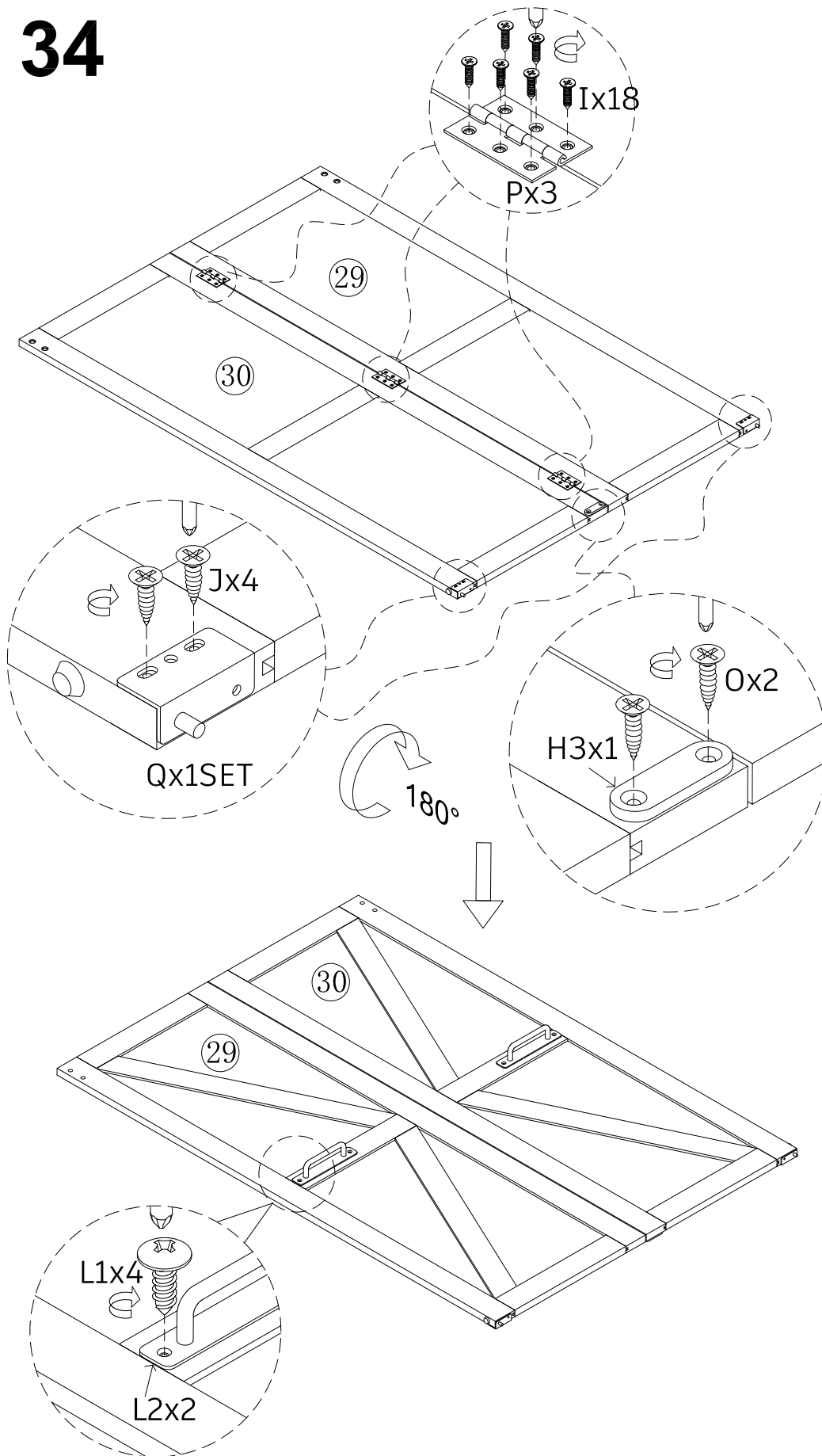
32



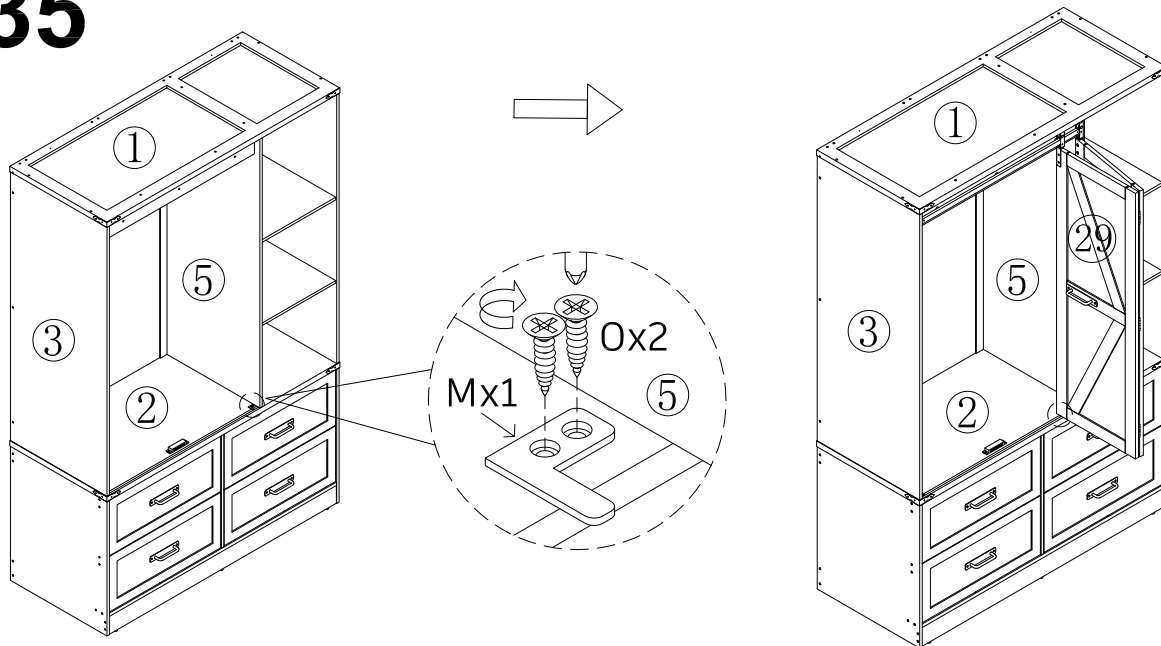
33



34



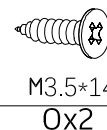
35



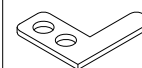
OR



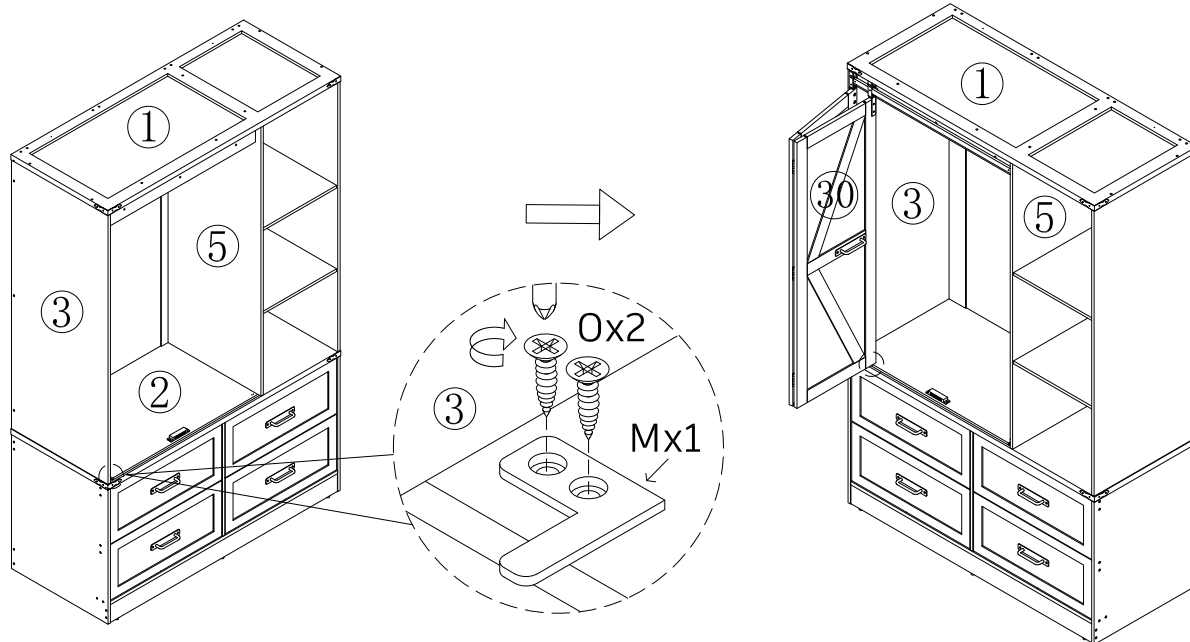
Accessory M can be installed on the left or right side of component No. 2 as needed. Matching with accessory R1, it is installed on the same side.



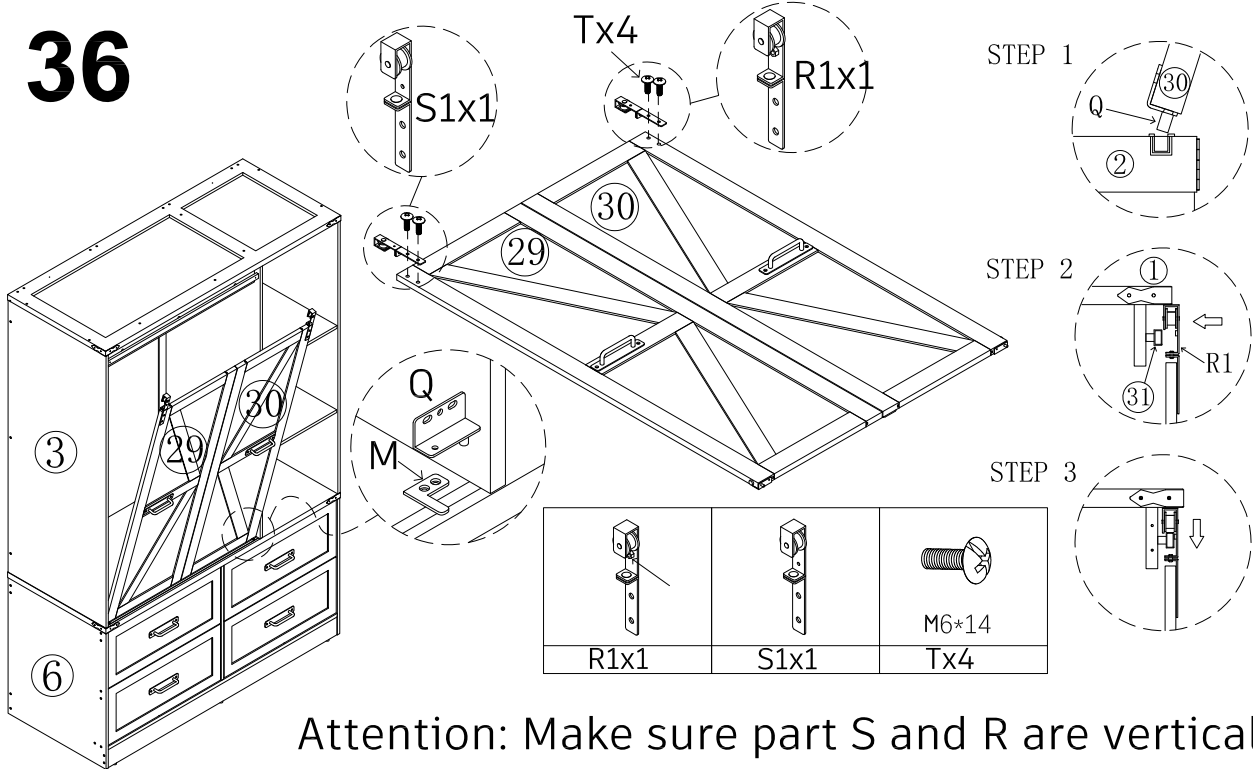
M3.5*14
0x2



Mx1

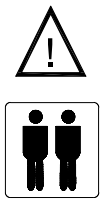


36

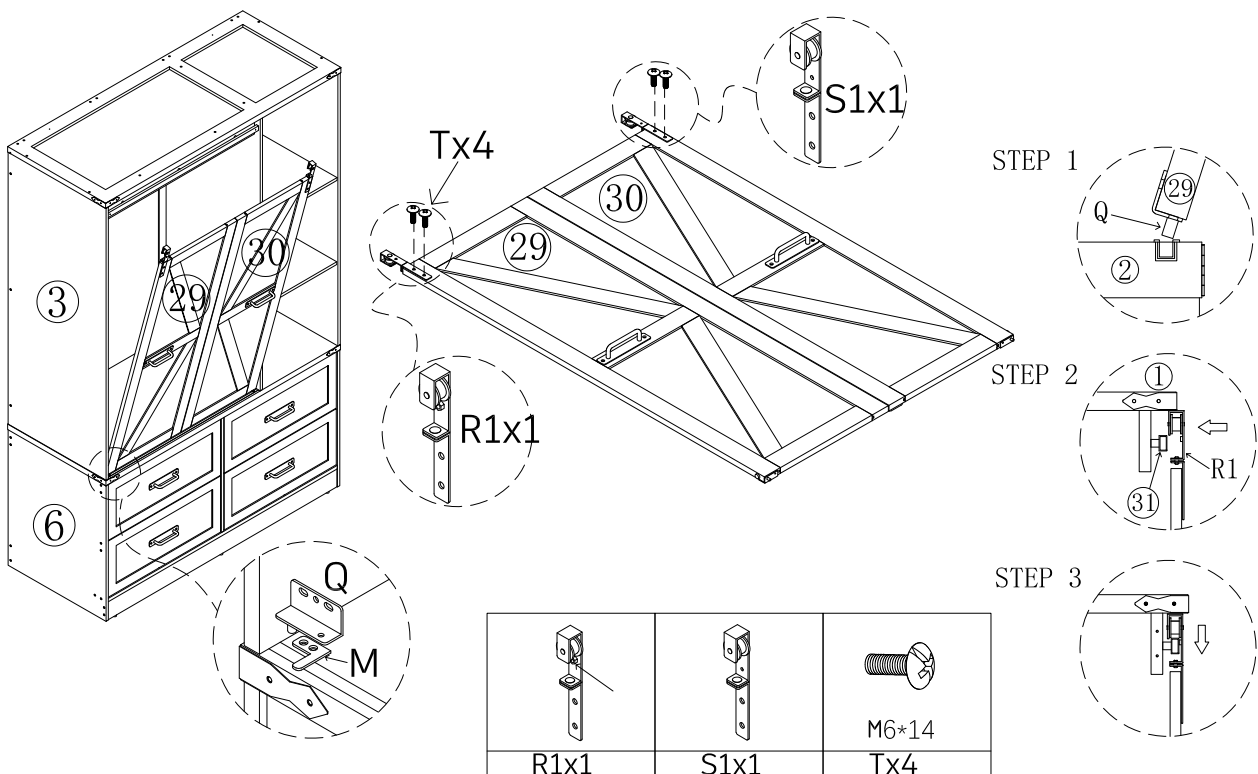


Attention: Make sure part S and R are vertical to the door panels when assembly this step.

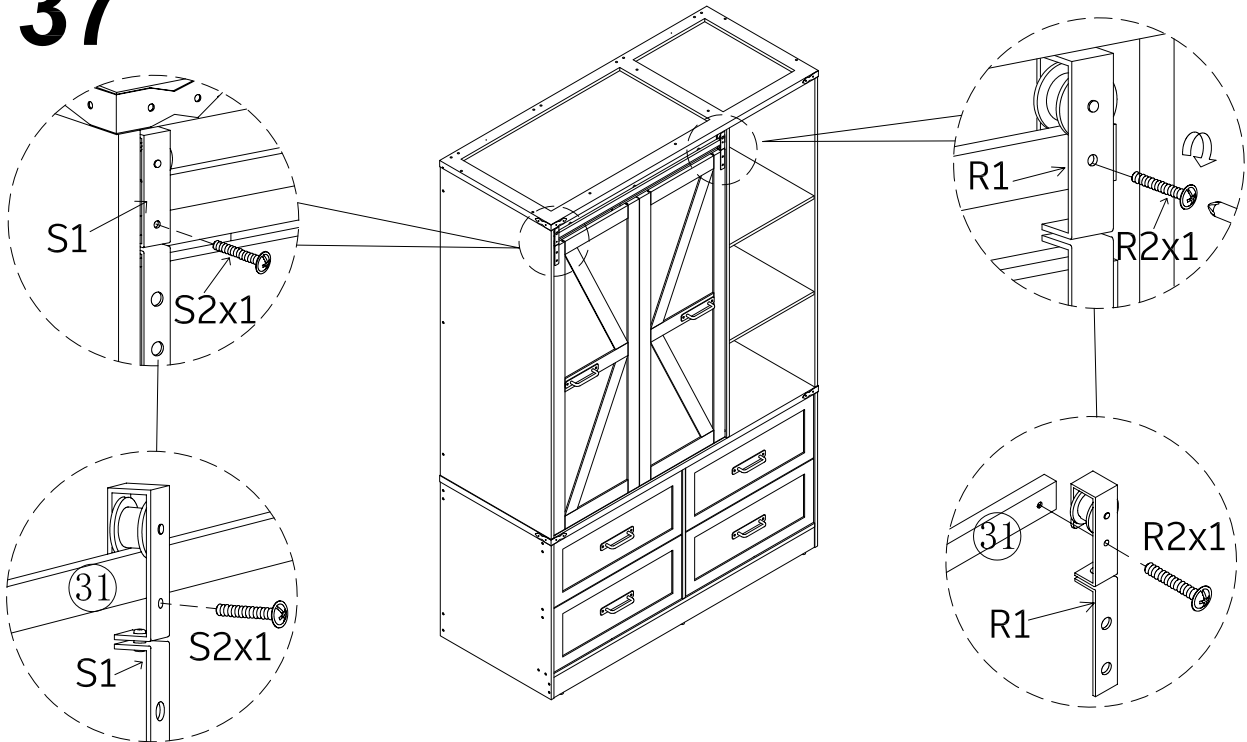
OR




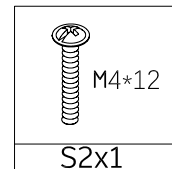
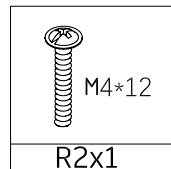
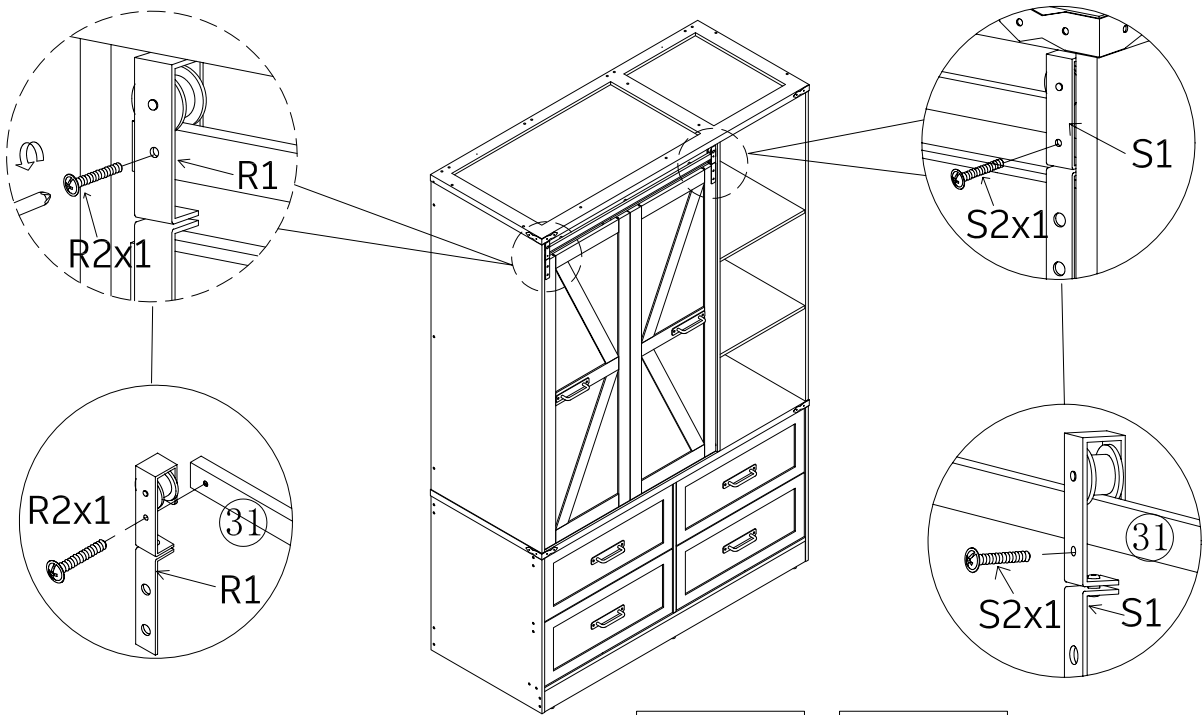
Insert the door panel and Q into the slot of component 2 first, and then push R1 and S1 into component 31. The above steps require 2 people to complete



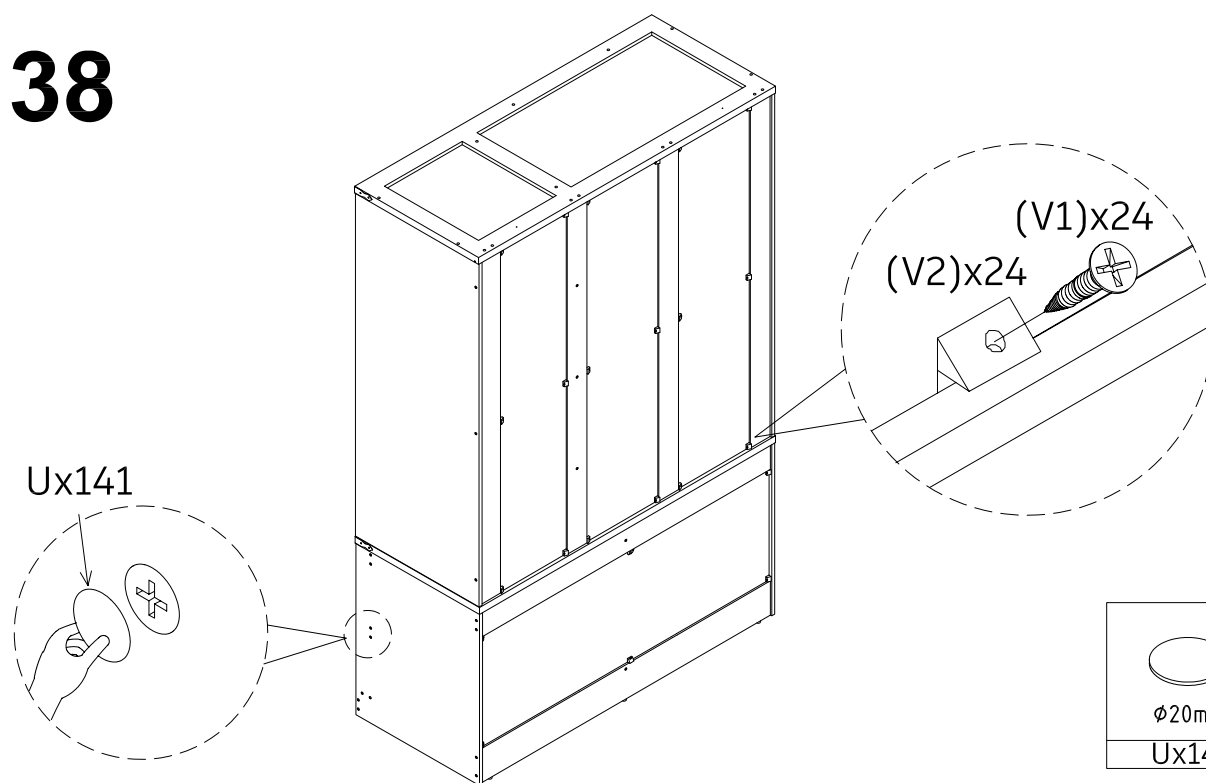
37



OR  R2 is connected and fixed to component 31, while S2 is not connected to component 31.



38



Ux141

(V1)x24
(V2)x24



Ø20mm

Ux141

(V1)*24

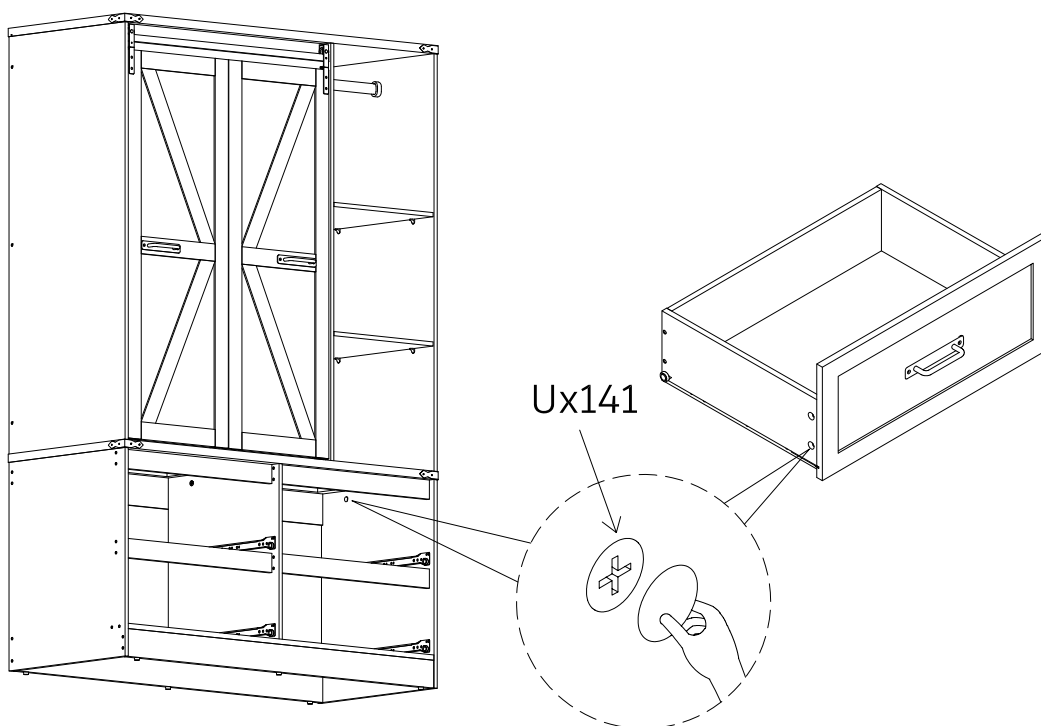


(V2)*24

Vx24Sets

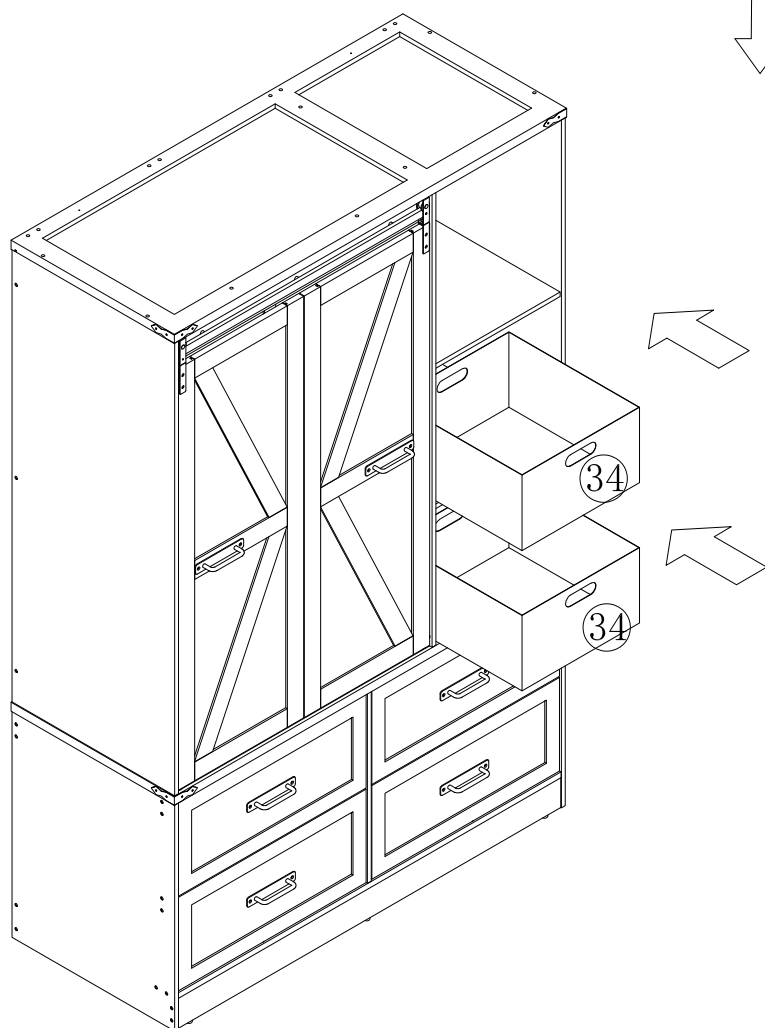
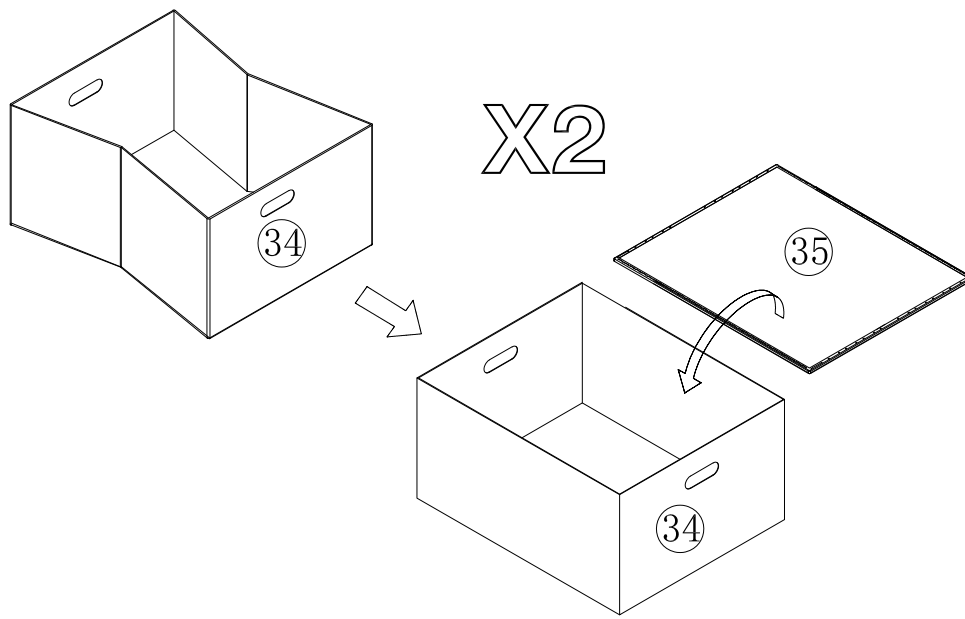


After adjusting the gap between the doors , fix the back panel with V1 and V2 to make the cabinet more stable.



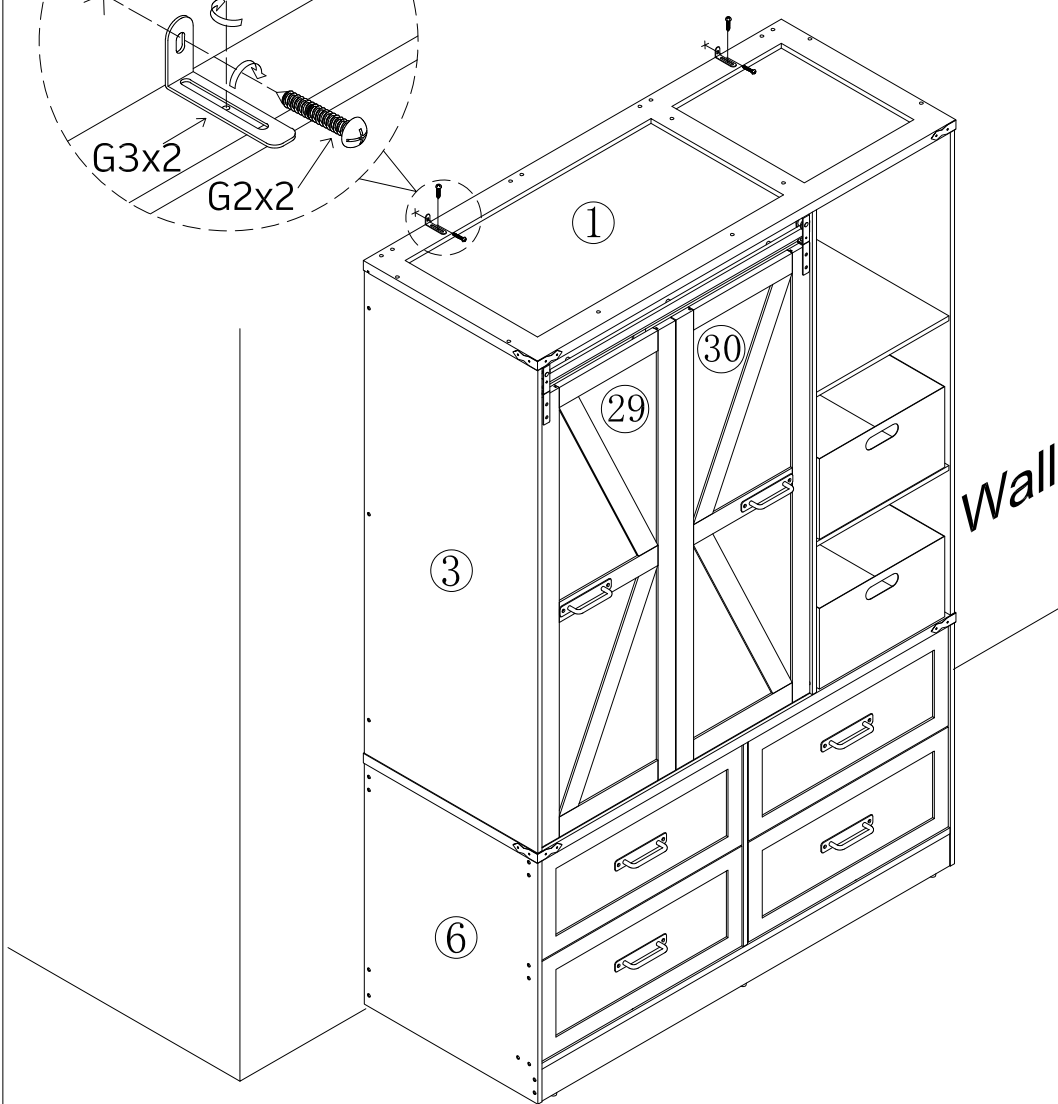
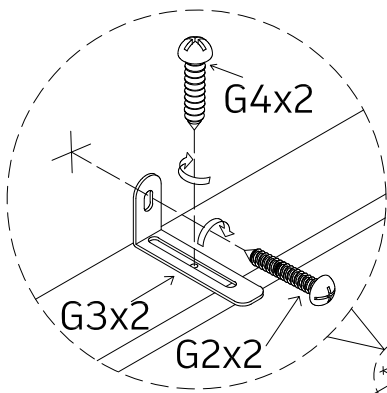
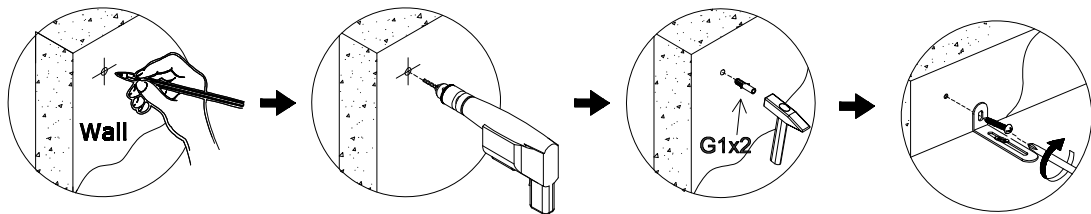
Ux141

39



40

Attention: For safety and stability, we suggest you have to secure the anti-tip accessories to the wall to



- | |
|--------------|
| |
| (G1)
G1x2 |
| |
| (G2)
G2x2 |
| |
| (G3)
G3x2 |
| |
| (G4)
G4x2 |