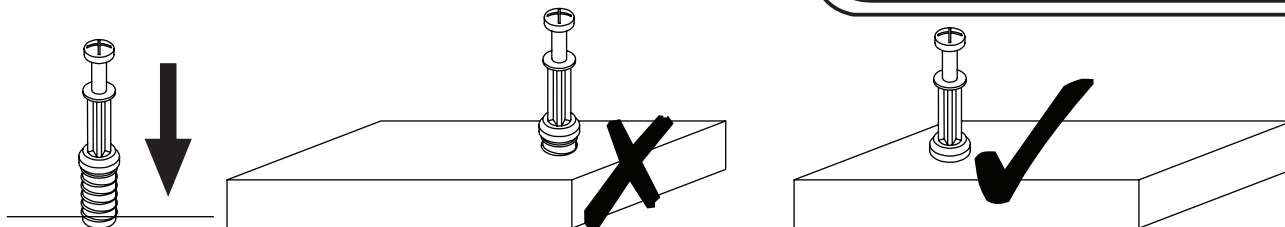
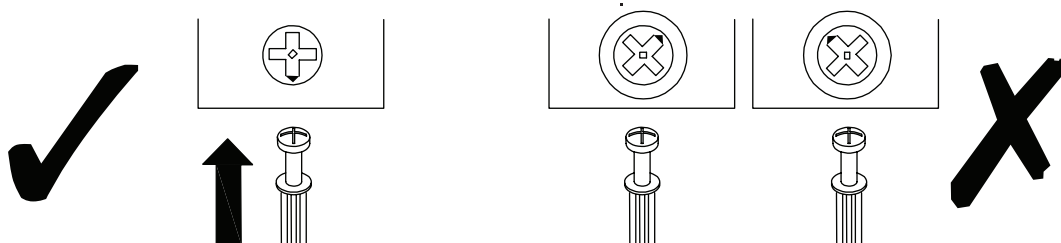


EN_IMPORTANT, RETAIN FOR FUTURE REFERENCE: READ CAREFULLY.

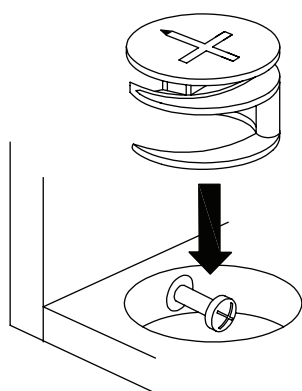
USING CAM LOCK AND QUICKFIT



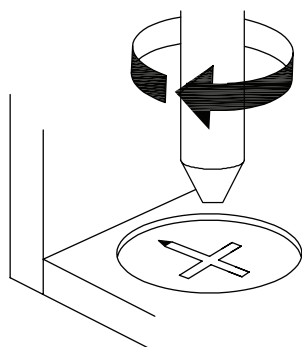
EN_QUICKFIT: Tighten quickfit until shoulder is flush with panel. Do not overtighten or undertighten.



EN_CAM LOCK: When fitting cam lock, ensure starting position is correct before you insert connecting quickfit.

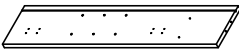
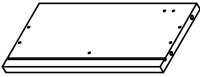
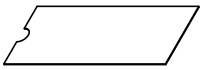
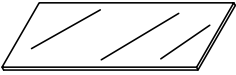
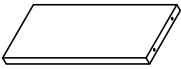

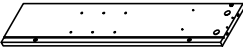
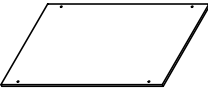
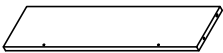
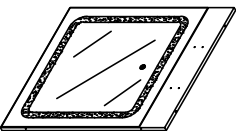


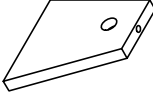
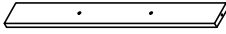
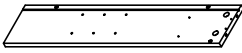
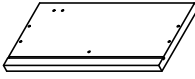
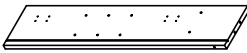
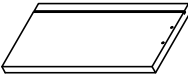
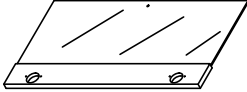
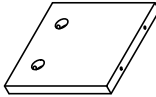
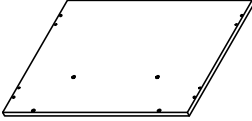

EN_Quickfit head should be in the centre of the cam lock when the two panels are joined.
Cam lock should be inserted before quickfit.



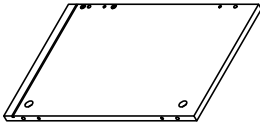

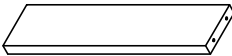

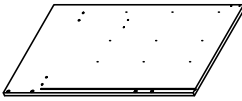
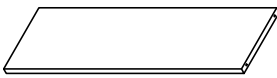
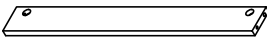

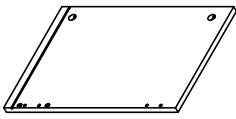

EN_Turn cam lock clockwise to tighten.

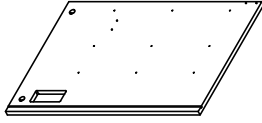
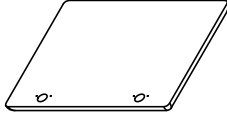
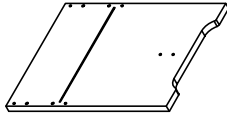
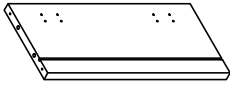
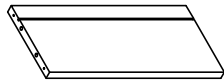
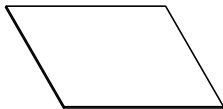
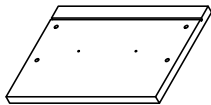
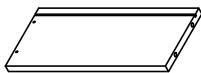
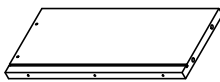
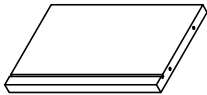
PACKING DELALS


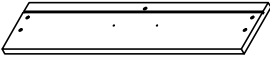
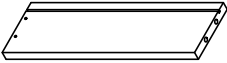

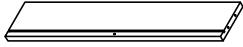
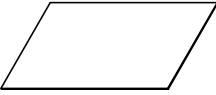
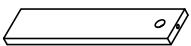


NO.	PARTS	QTY	SPARE
①		x1	
②		x1	
③		x2	
④		x2	
⑤		x2	
⑥		x1	
⑦		x1	
⑧		x2	
⑨		x1	
⑩		x1	

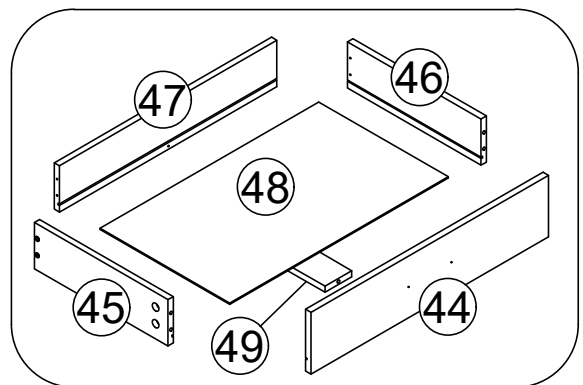
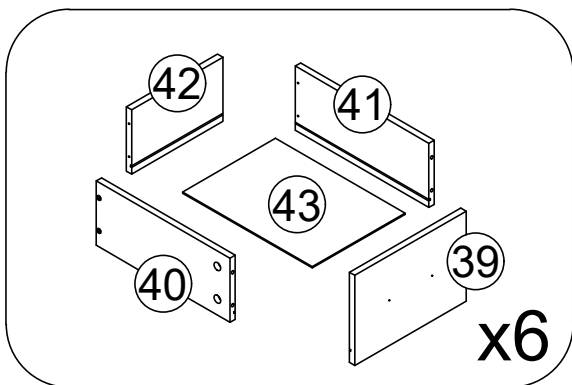
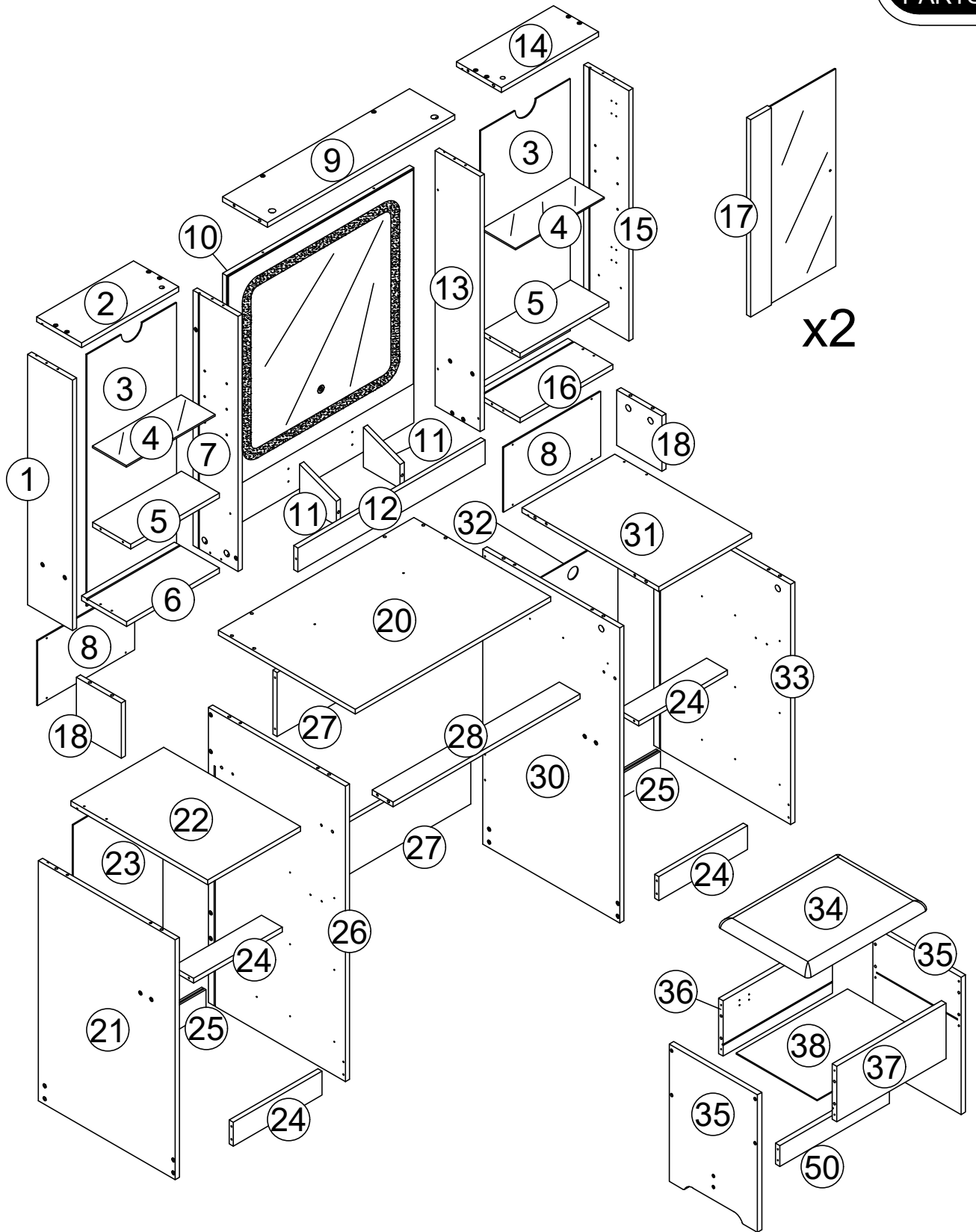
NO.	PARTS	QTY	SPARE
⑪		x2	
⑫		x1	
⑬		x1	
⑭		x1	
⑮		x1	
⑯		x1	
⑰		x2	
⑱		x2	
⑳		x1	
㉑		x1	

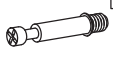























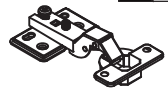









PACKING DELALS

NO.	PARTS	QTY	SPARE
22		x1	
23		x1	
24		x4	
25		x2	
26		x1	
27		x2	
28		x1	
30		x1	
31		x1	
32		x1	

NO.	PARTS	QTY	SPARE
33		x1	
34		x1	
35		x2	
36		x1	
37		x1	
38		x1	
39		x6	
40		x6	
41		x6	
42		x6	

NO.	PARTS	QTY	SPARE
④③		x6	
④④		x1	
④⑤		x1	
④⑥		x1	
④⑦		x1	
④⑧		x1	
④⑨		x1	
⑤⑩		x1	
	 Hardware Kit	x1	



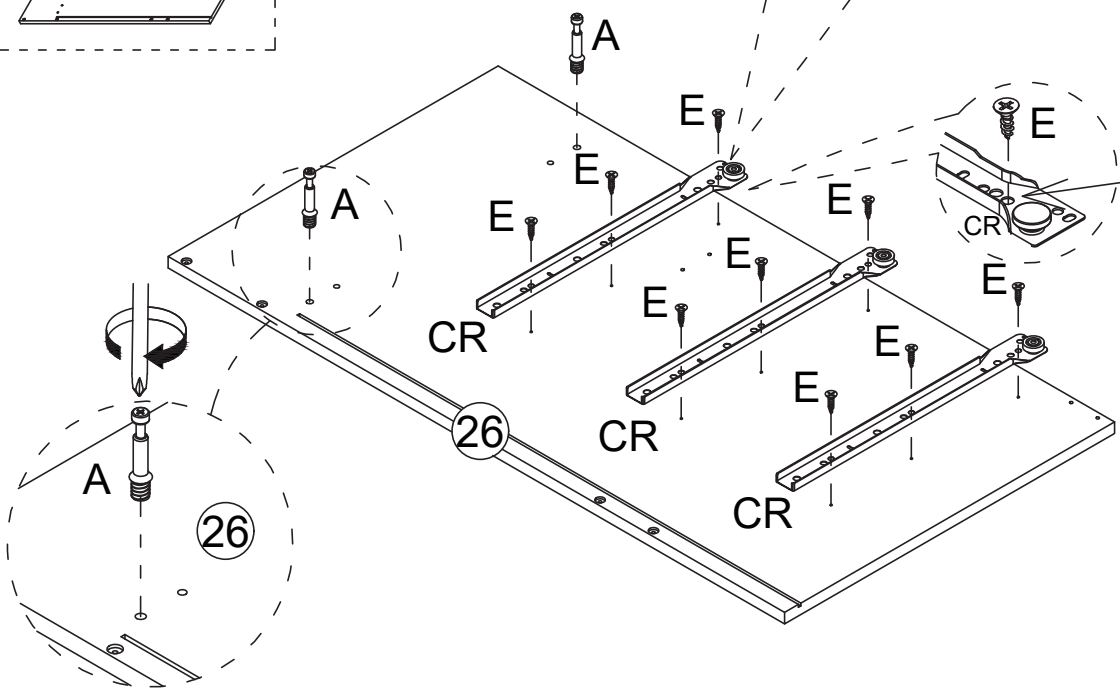
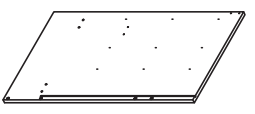
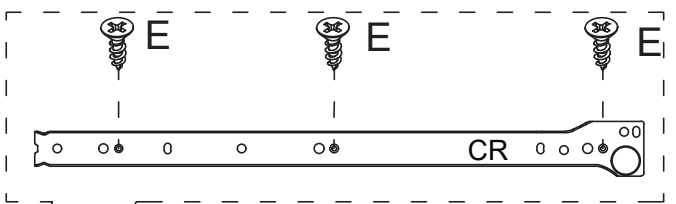
<p>A x55 Ø6x35mm +3(spare)</p> 	<p>B x57 Ø15x10mm +3(spare)</p> 	<p>C x24 Ø6x30mm +2(spare)</p> 	<p>D x117 Ø4x35mm +4(spare)</p> 	<p>E x84 Ø3x12mm +4(spare)</p> 	<p>F x7 Ø4x16mm</p> 
<p>G x2 Ø4x12mm</p> 	<p>H x6</p> 	<p>I x2</p> 	<p>J x1</p> 	<p>K x2 Ø3x12mm</p> 	<p>L x1</p> 
<p>M x2 Ø6x30mm</p> 	<p>N x2 Ø4x14mm</p> 	<p>O x2</p> 	<p>P x2 Ø6x55mm</p> 	<p>Q x1</p> 	<p>R x2 Ø3x10mm</p> 
<p>S x2</p> 	<p>T x1</p> 	<p>U x1</p> 	<p>V x2</p> 	<p>W x8</p> 	<p>X x8</p> 
<p>Y x4</p> 	<p>Z x2</p> 	<p>AA x36 Ø3.5x12mm +2(spare)</p> 	<p>BB x78 +4(spare)</p> 	<p>CC x16 Ø3x16mm +2(spare)</p> 	<p>DD x1</p> 
<p>CL x7 L300mm</p> 	<p>CR x7 L300mm</p> 	<p>DL x7 L300mm</p> 	<p>DR x7 L300mm</p> 		

A x2
Ø6x35mm

E x9
Ø3x12mm

CR x3
L300mm

26 x1



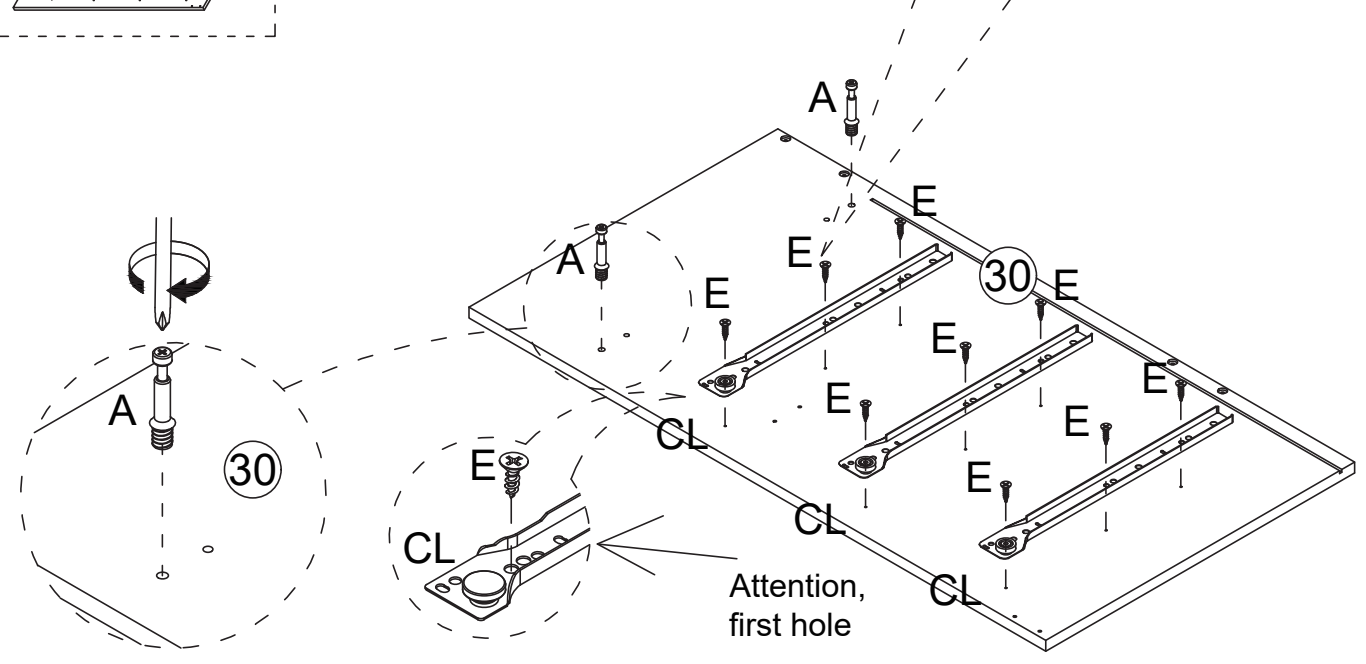
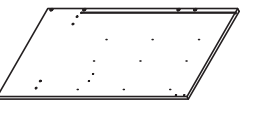
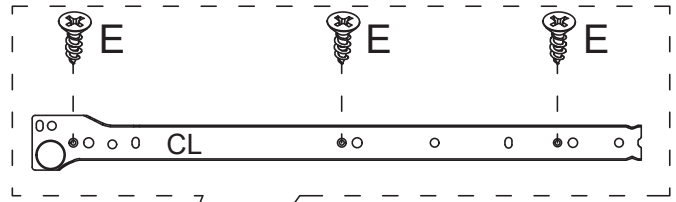
Attention, first hole

A x2
Ø6x35mm

E x9
Ø3x12mm

CL x3
L300mm

30 x1

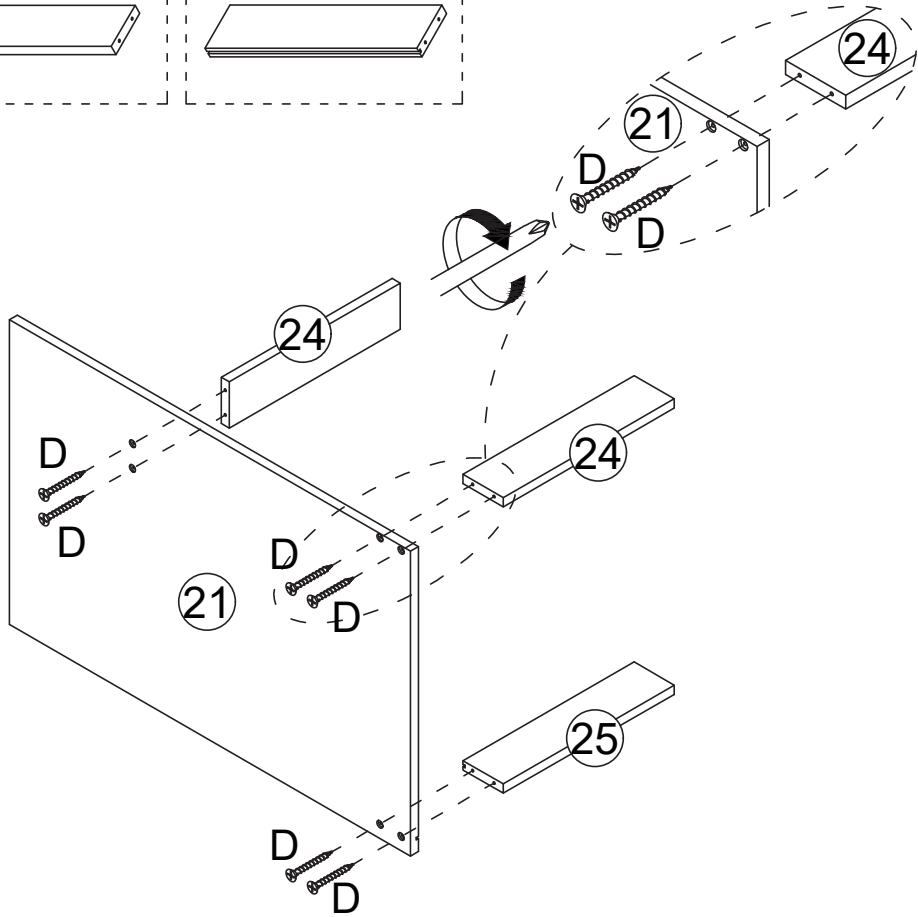
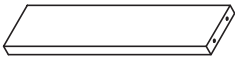


Attention, first hole

D x6
Ø4x35mm

24 x2

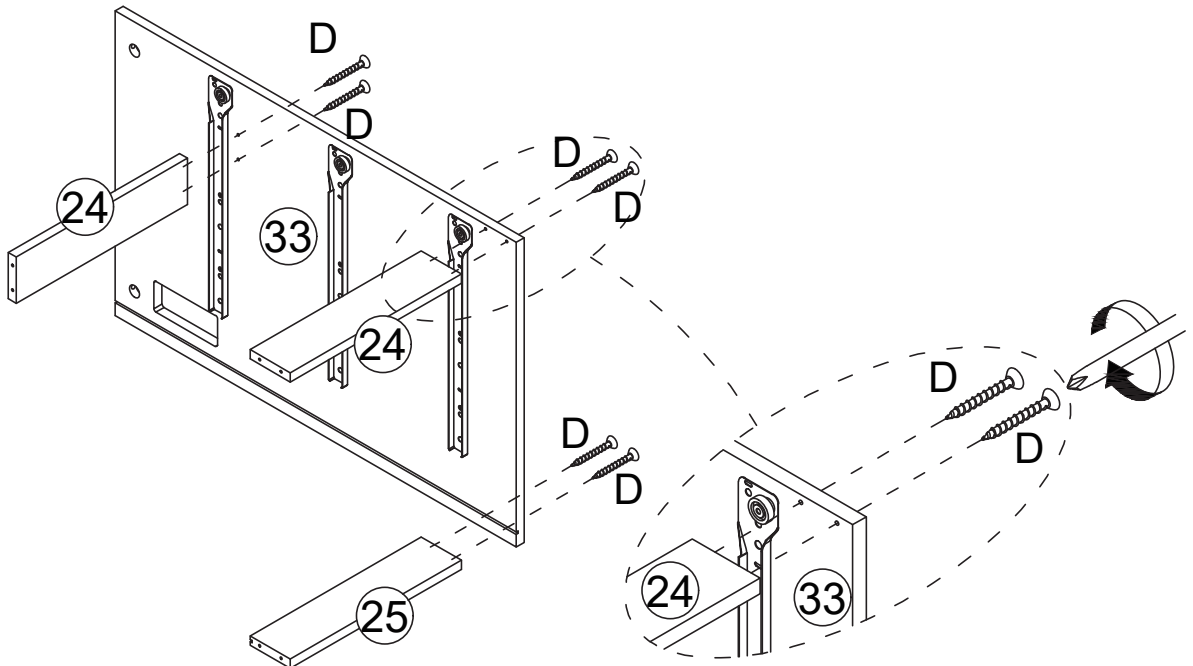
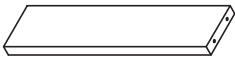
25 x1

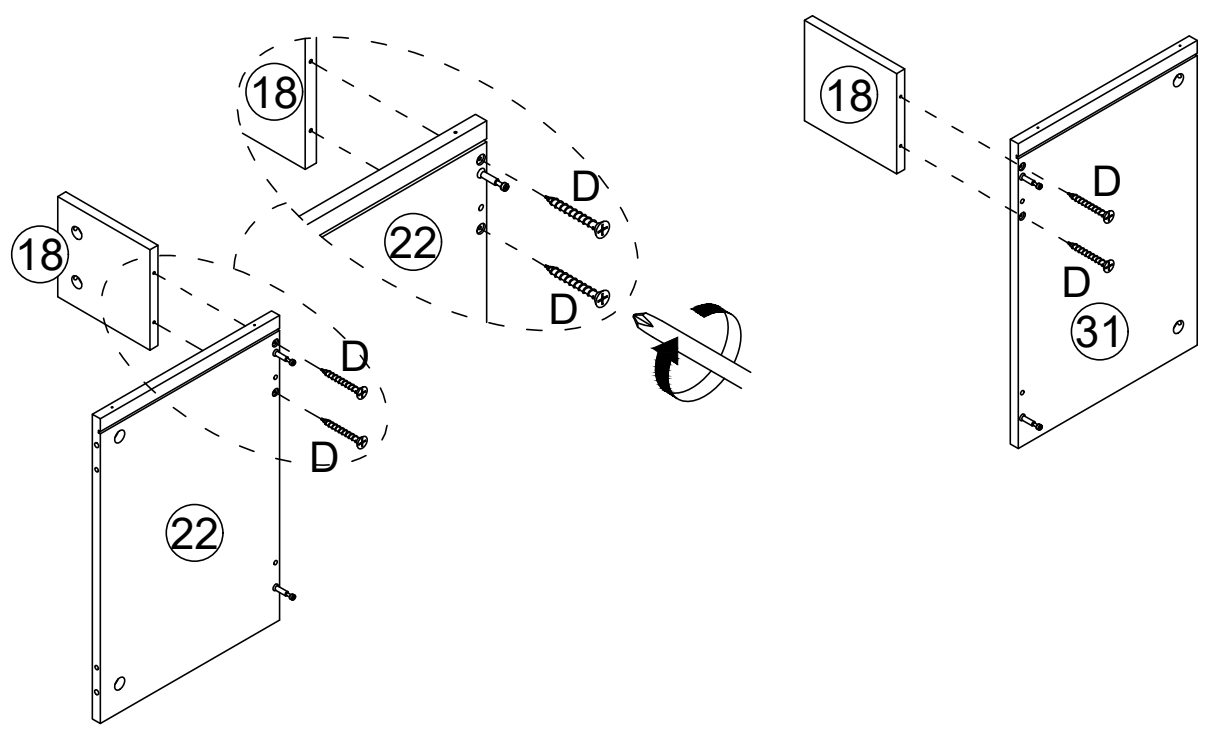
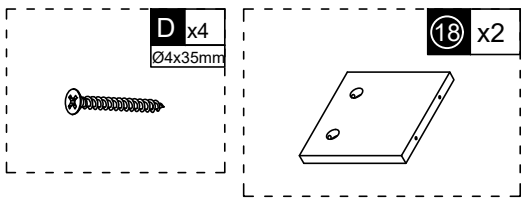
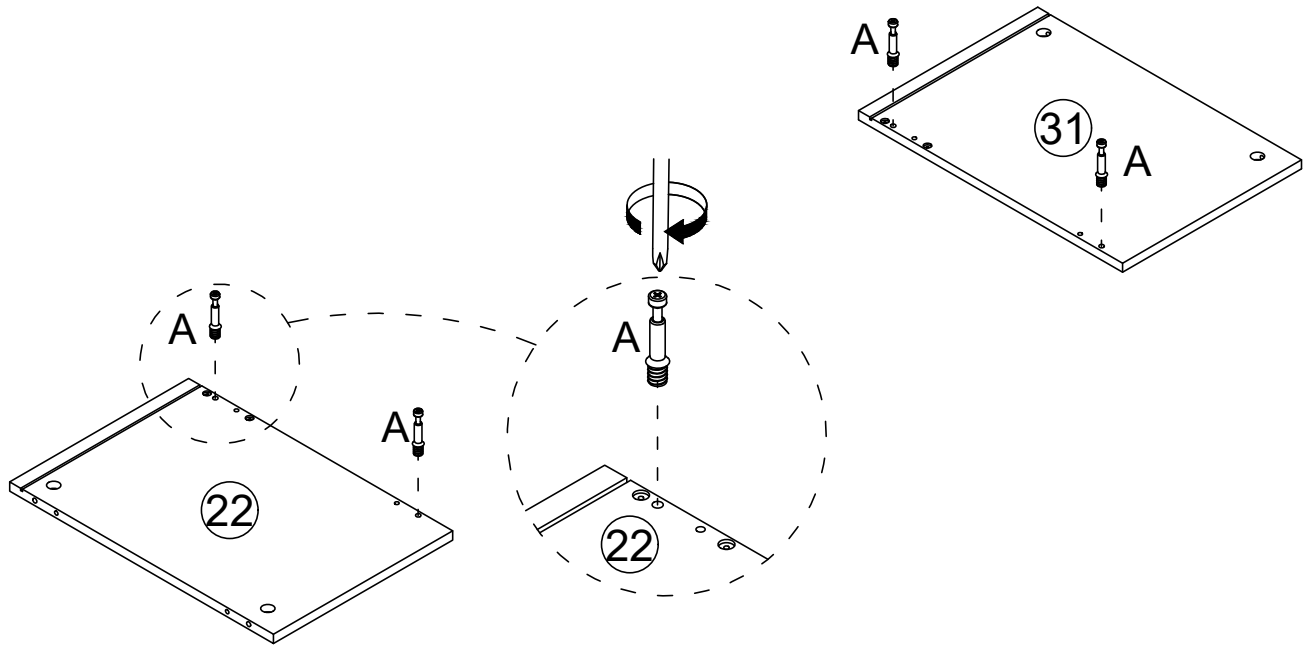
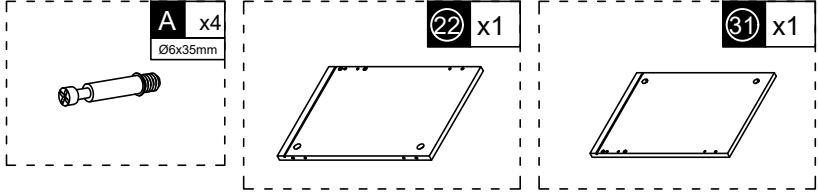


D x6
Ø4x35mm

24 x2

25 x1

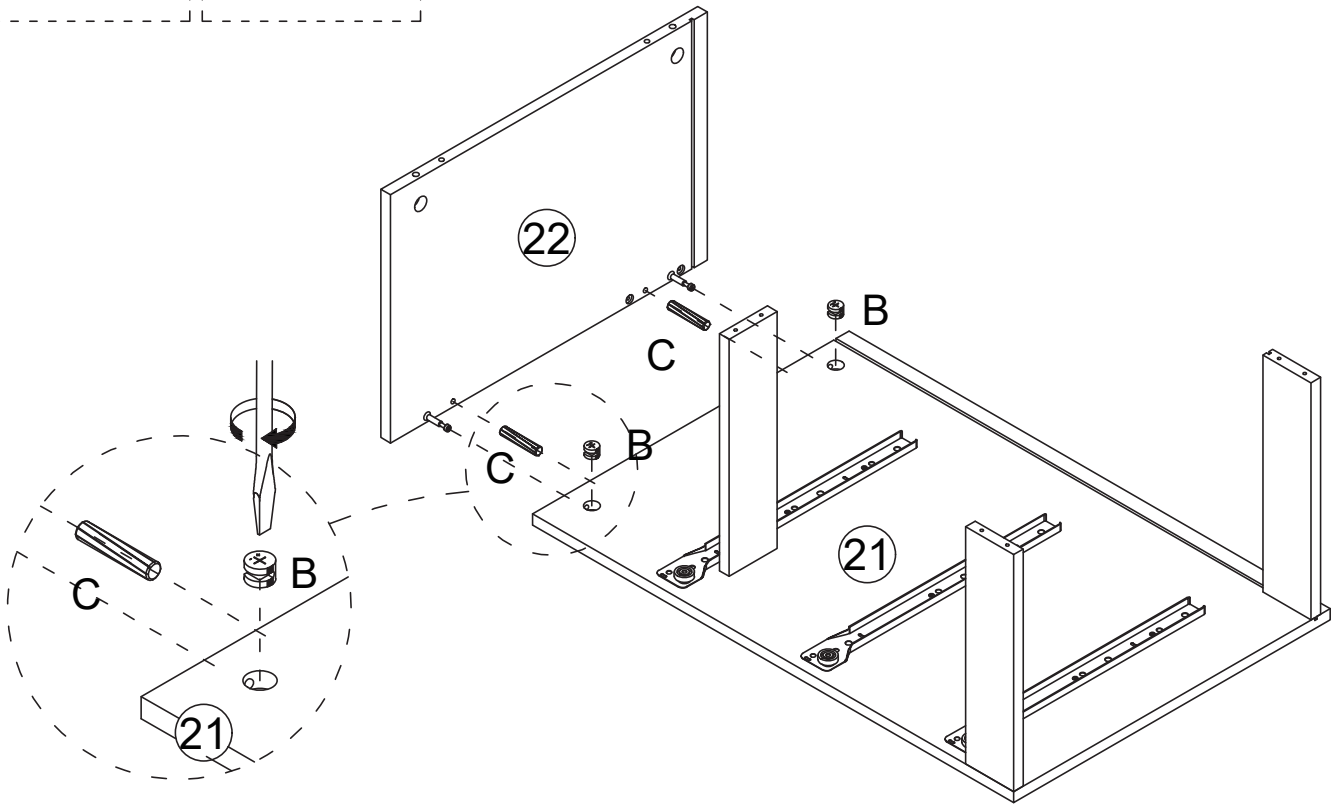




B x2
Ø15x10mm



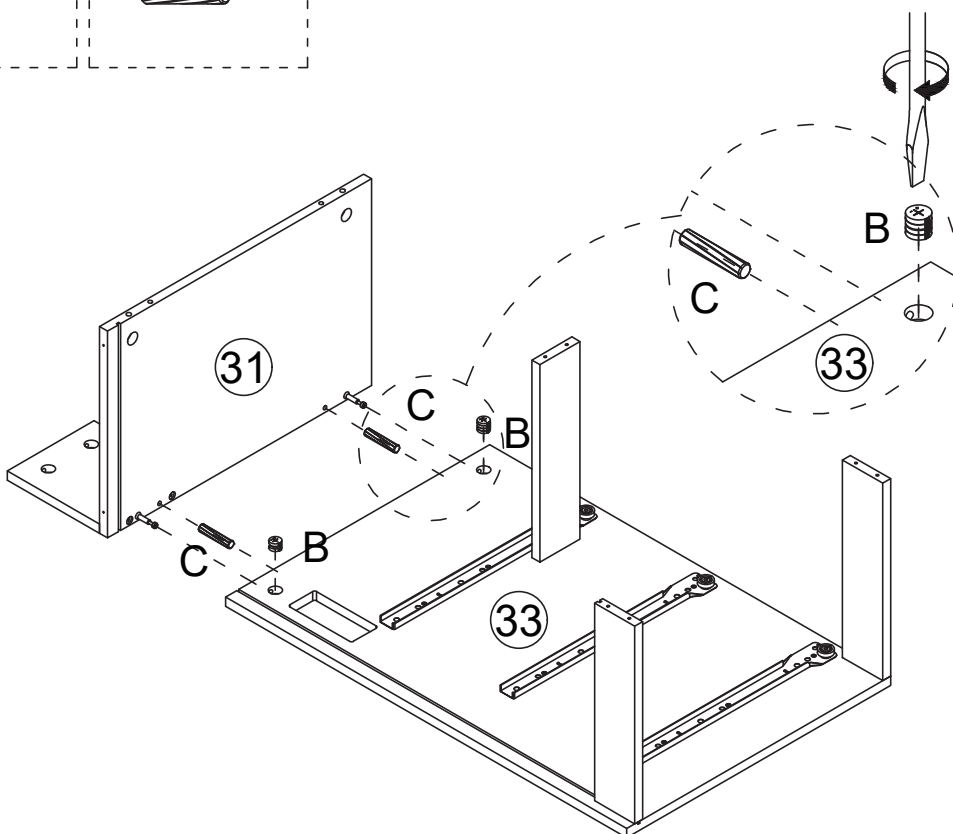
C x2
Ø6x30mm



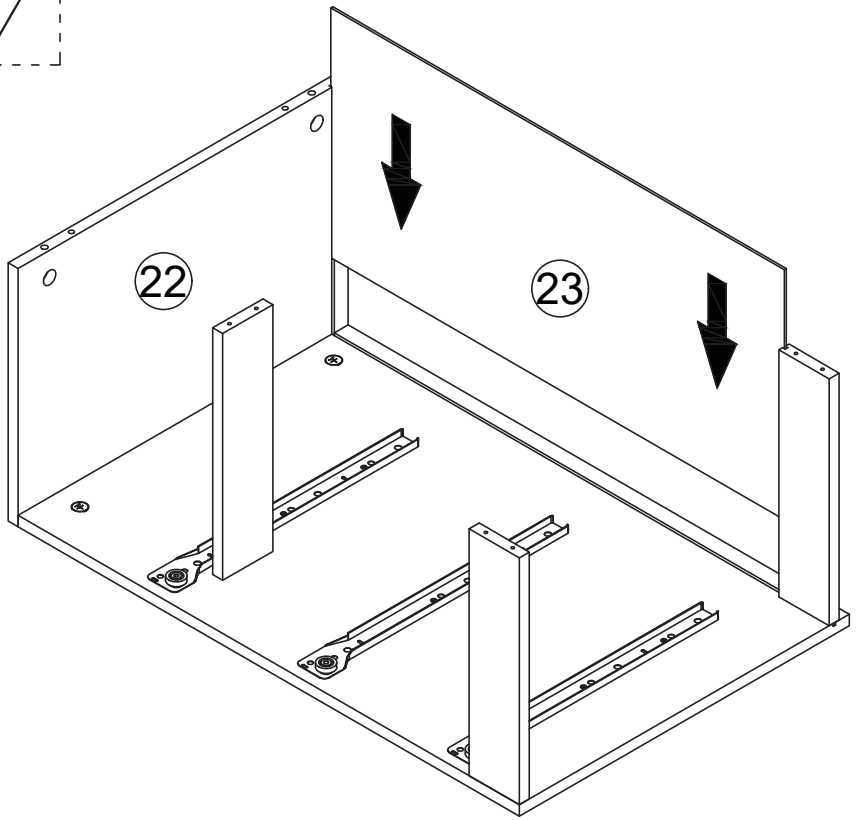
B x2
Ø15x10mm



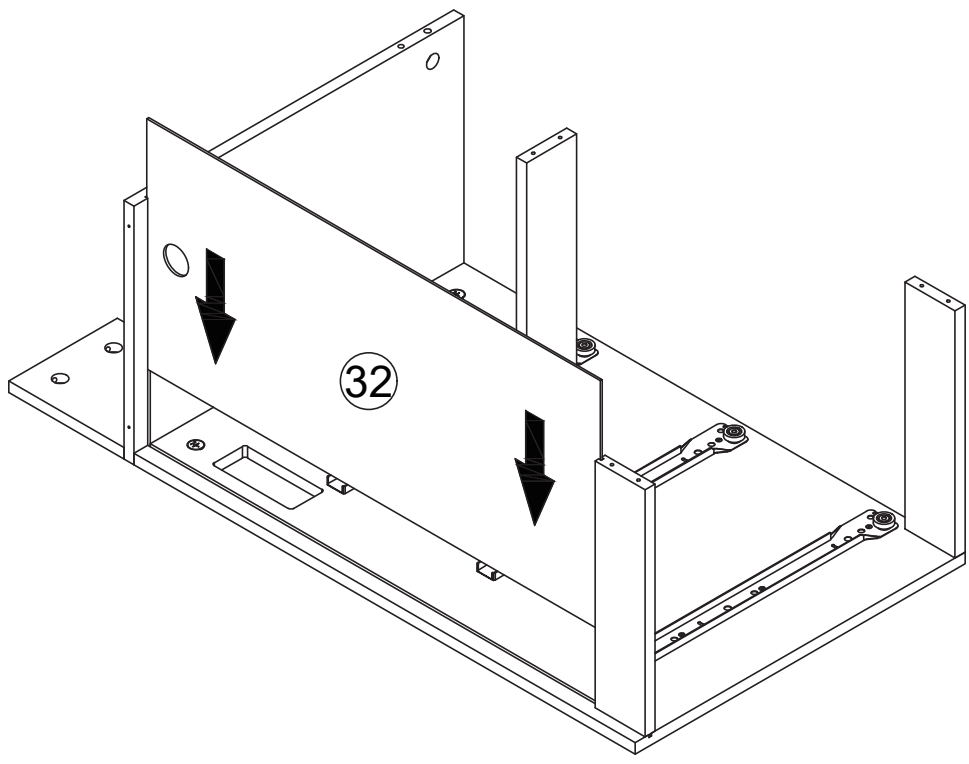
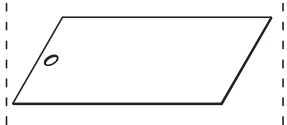
C x2
Ø6x30mm



23 x1



32 x1



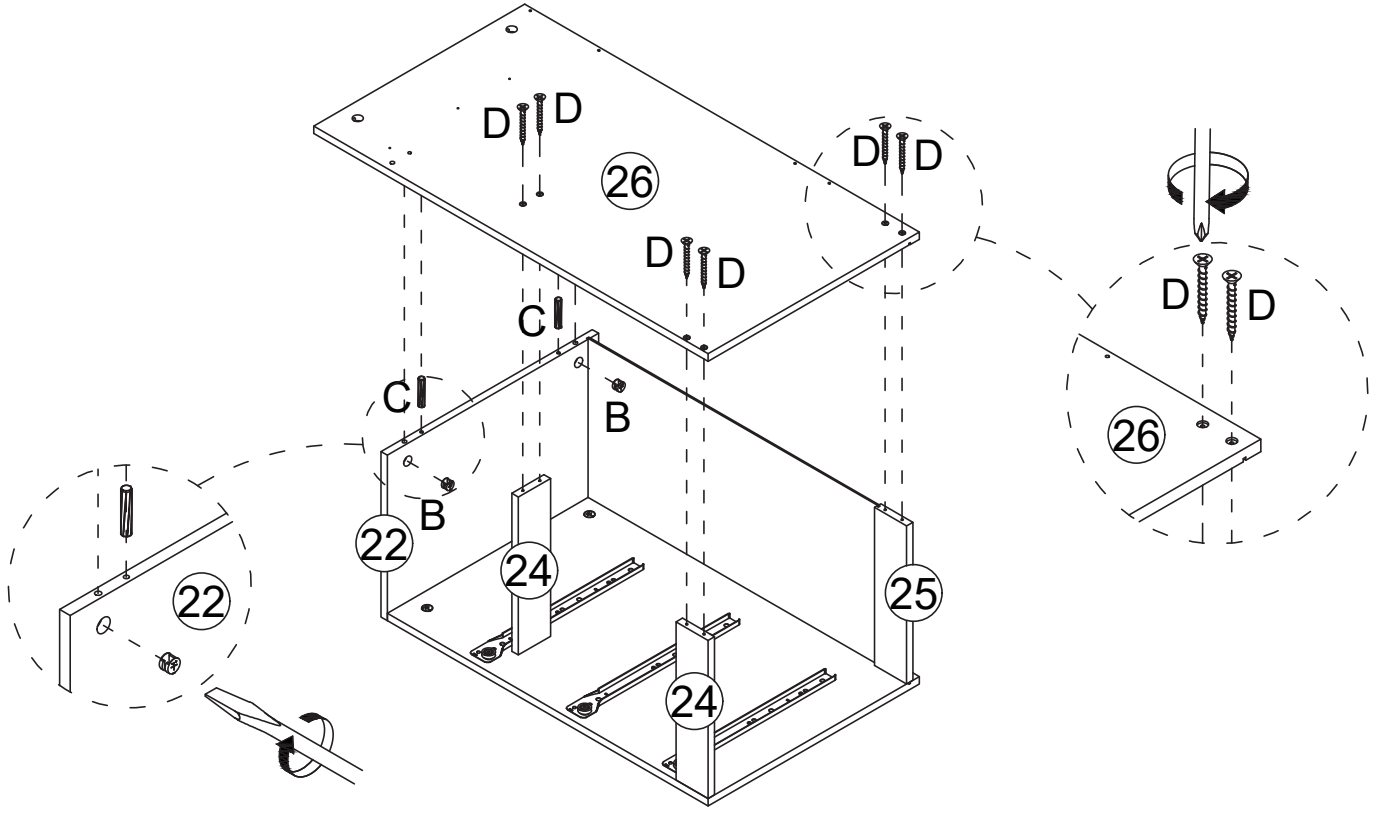
B x2
Ø15x10mm



C x2
Ø6x30mm



D x6
Ø4x35mm



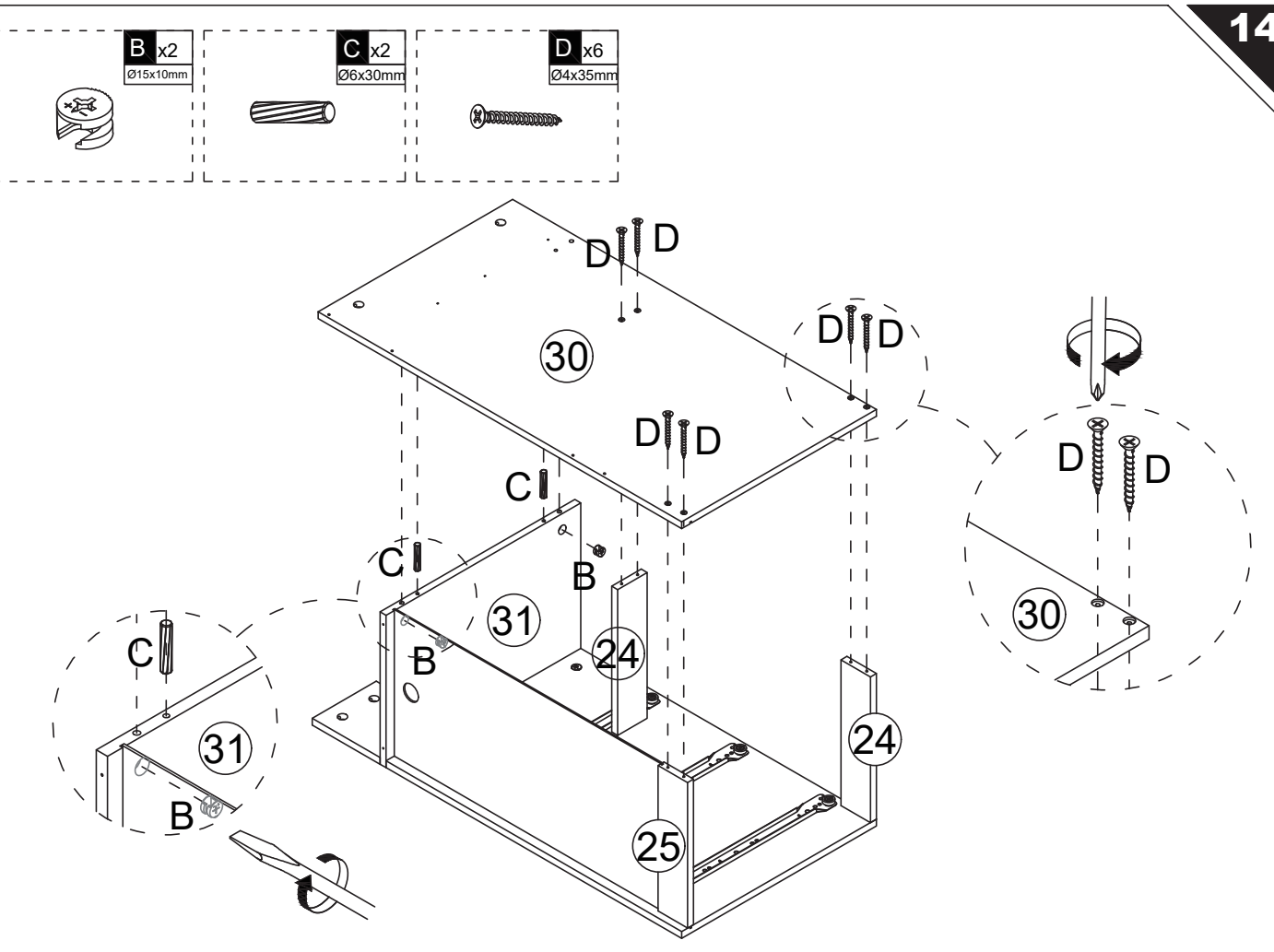
B x2
Ø15x10mm

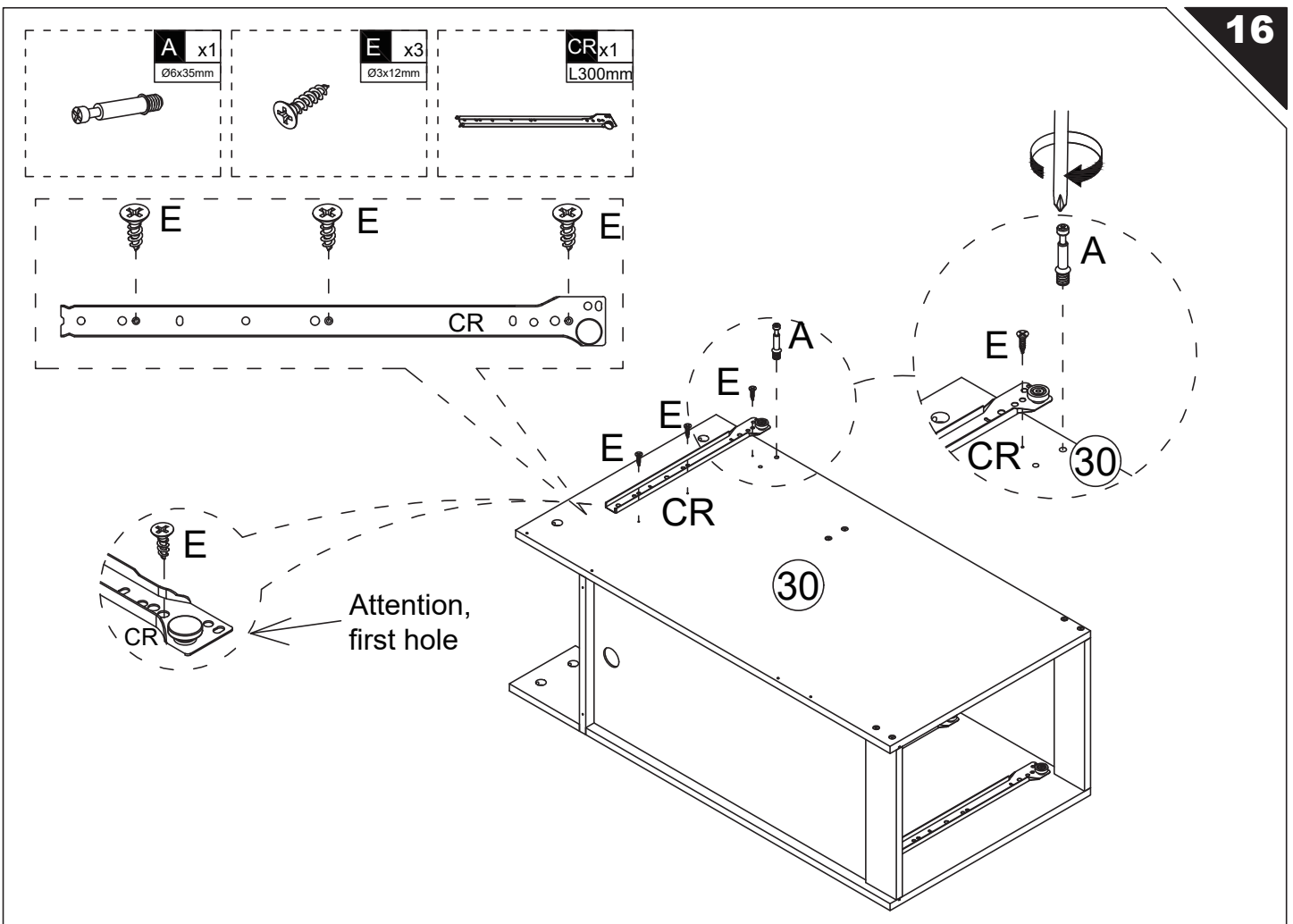
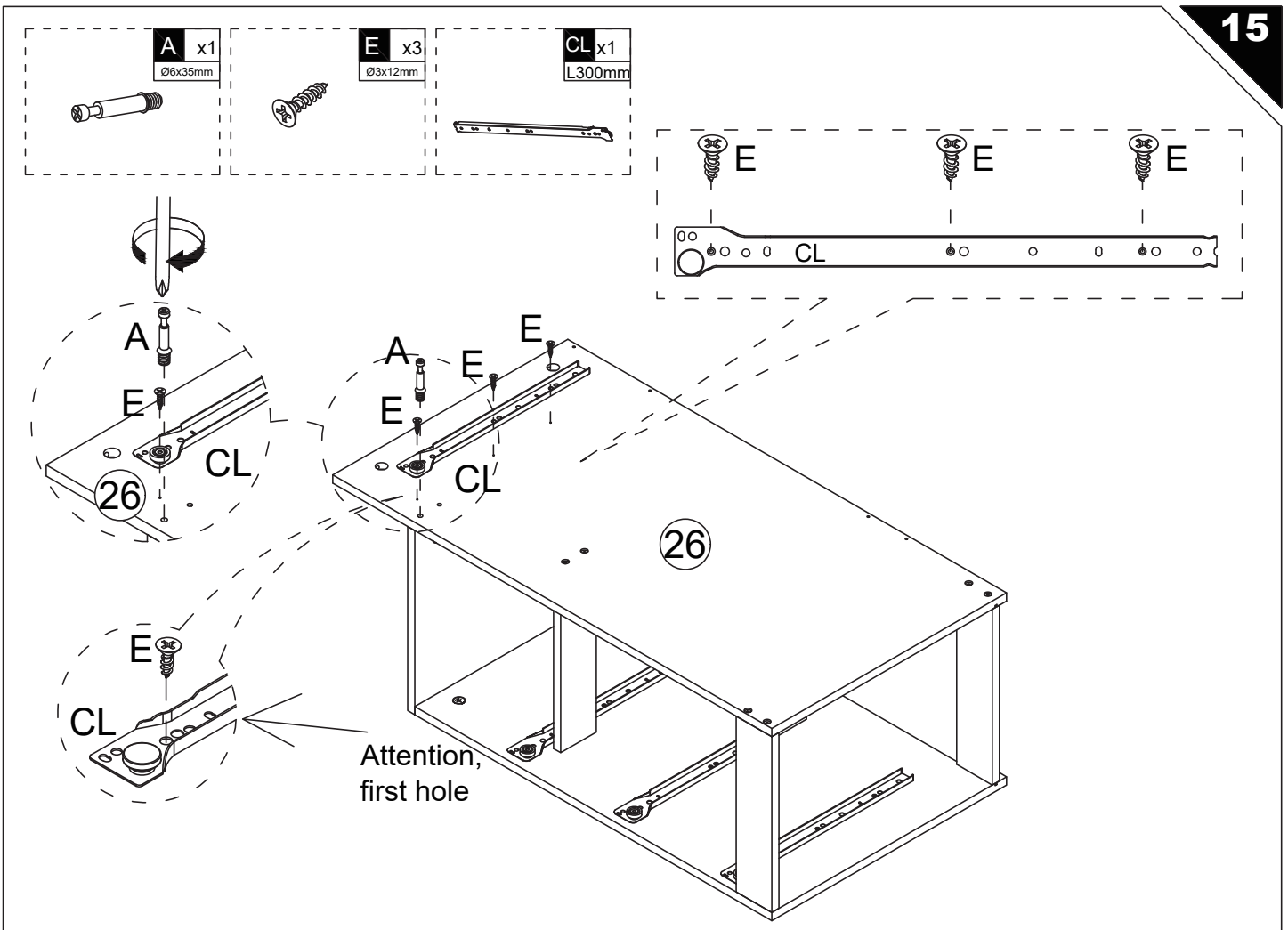


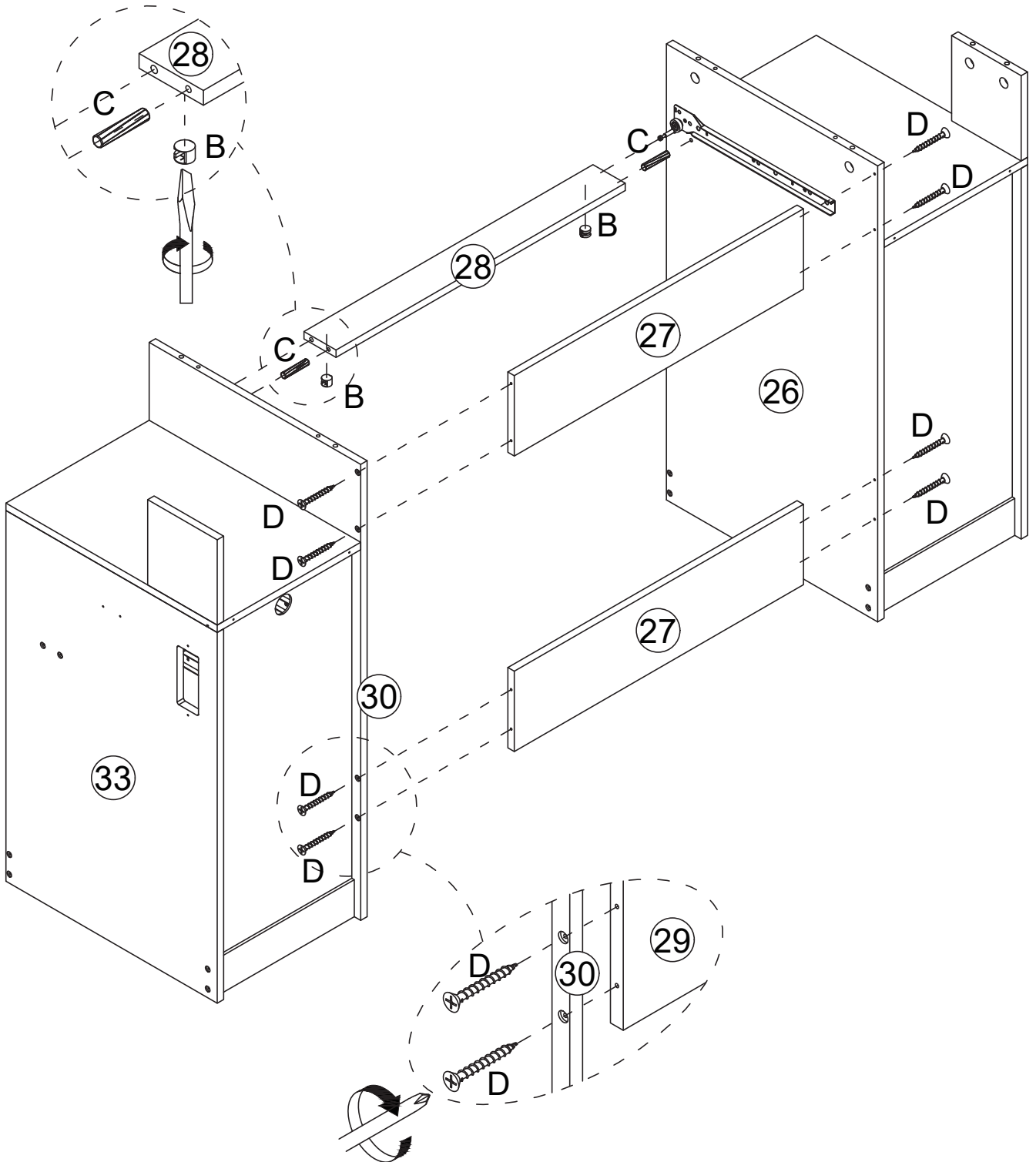
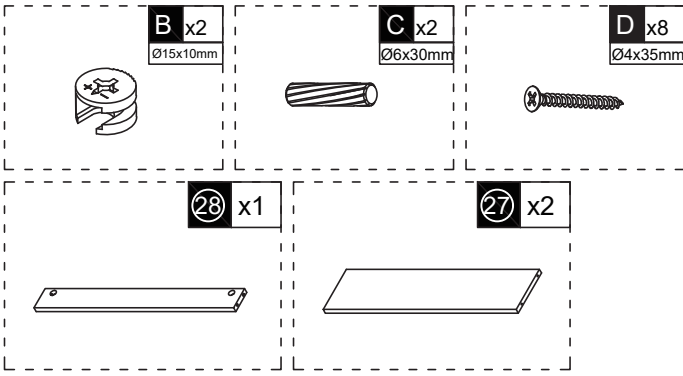
C x2
Ø6x30mm

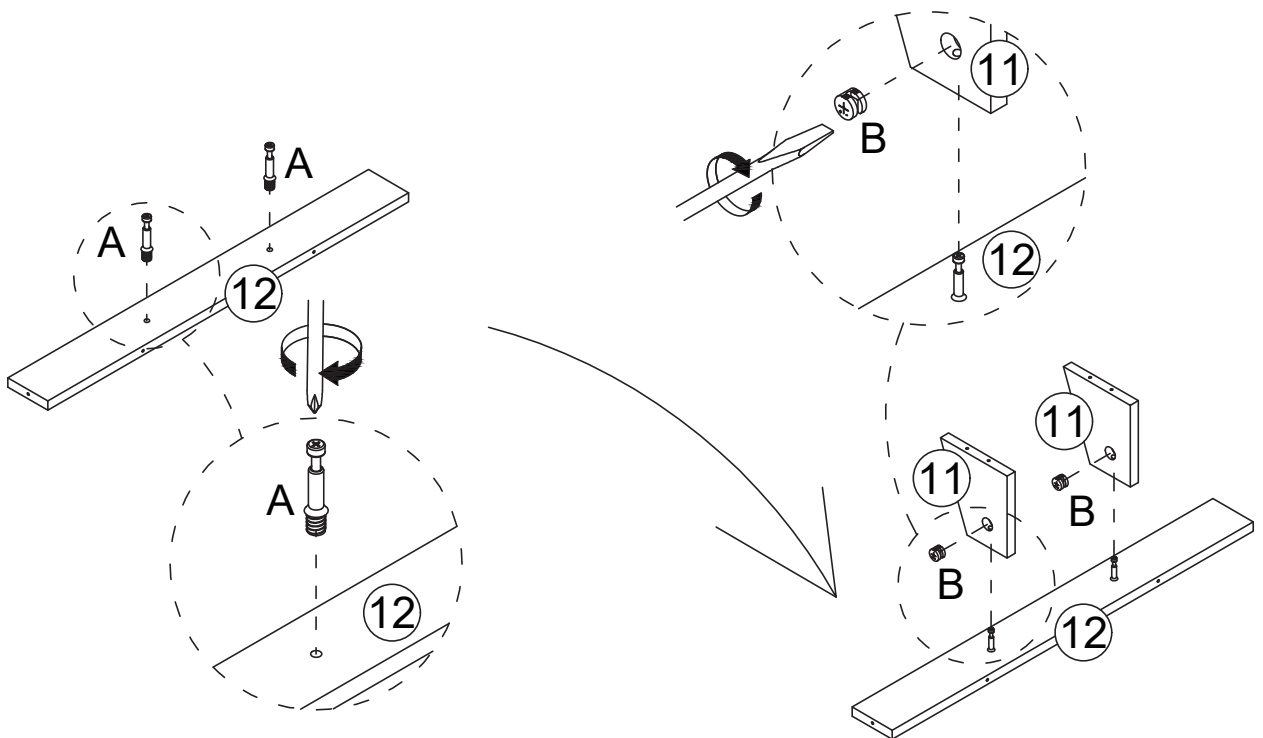
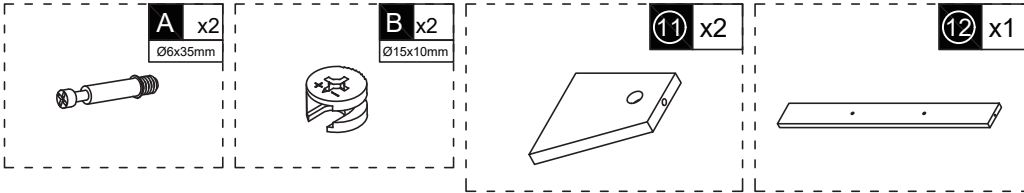
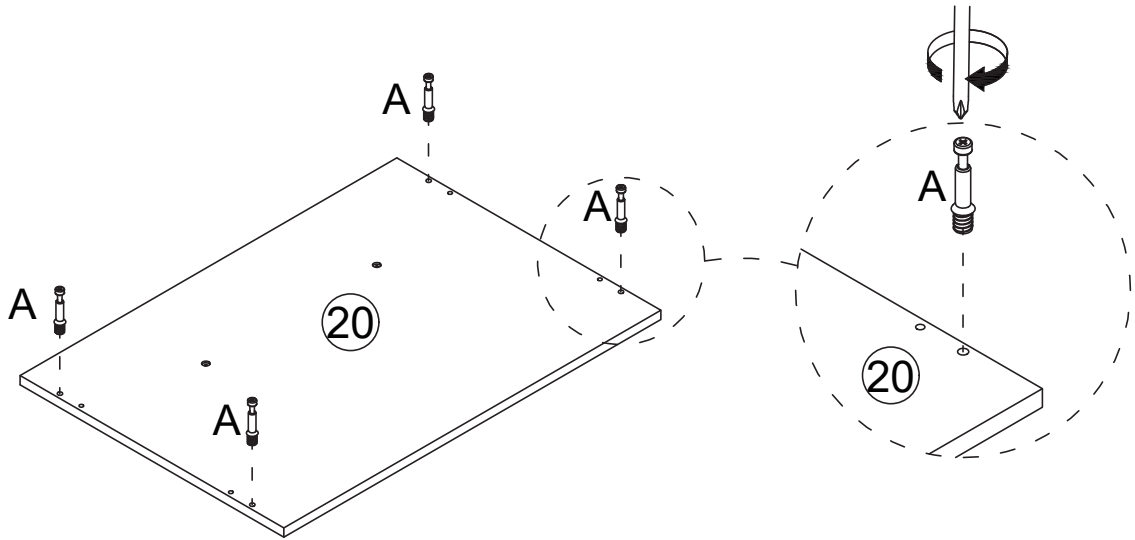
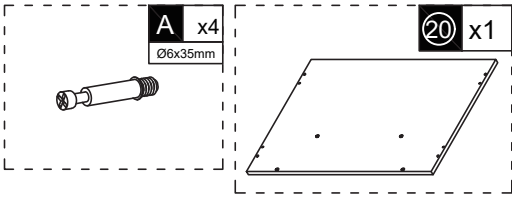


D x6
Ø4x35mm









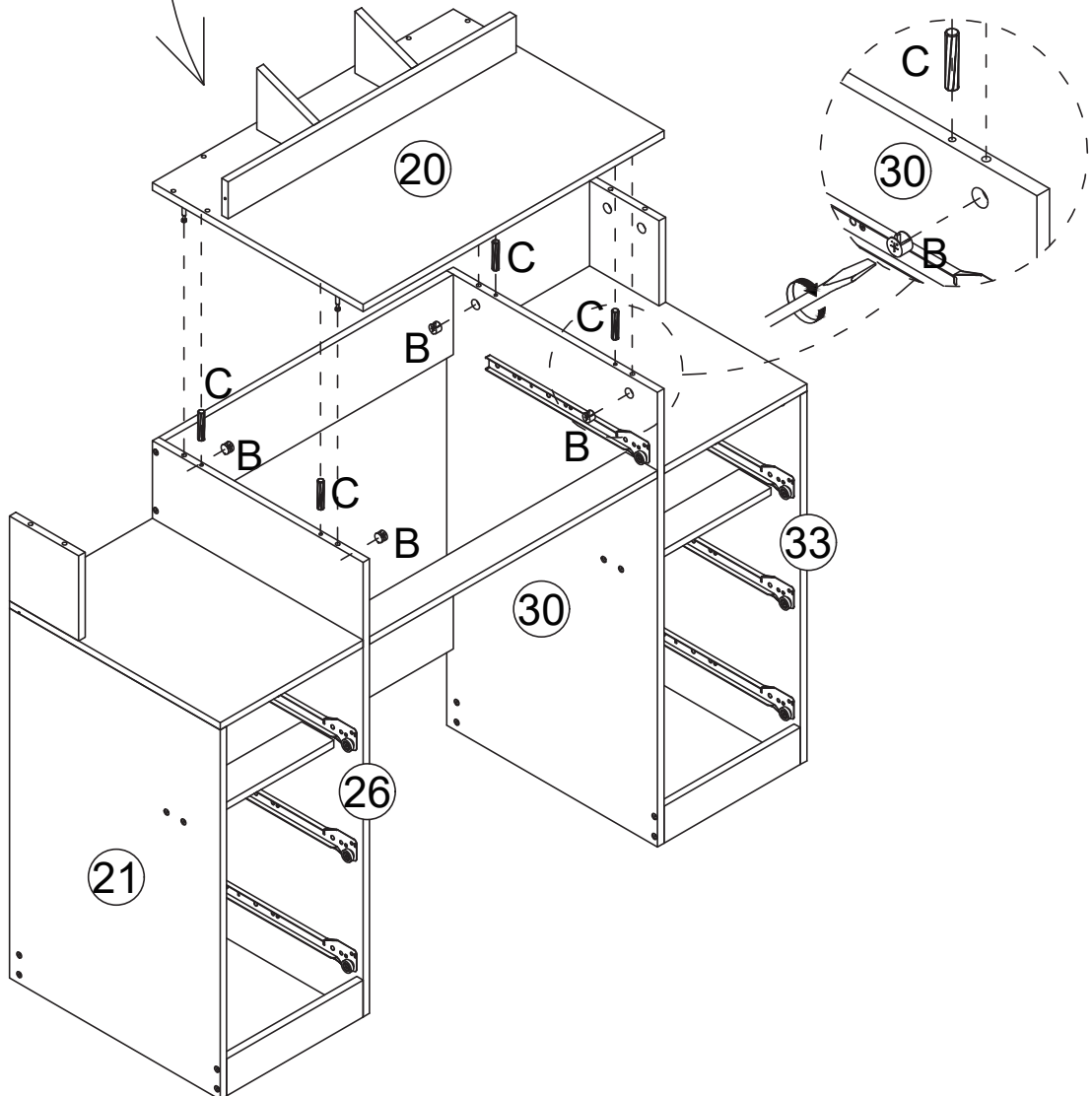
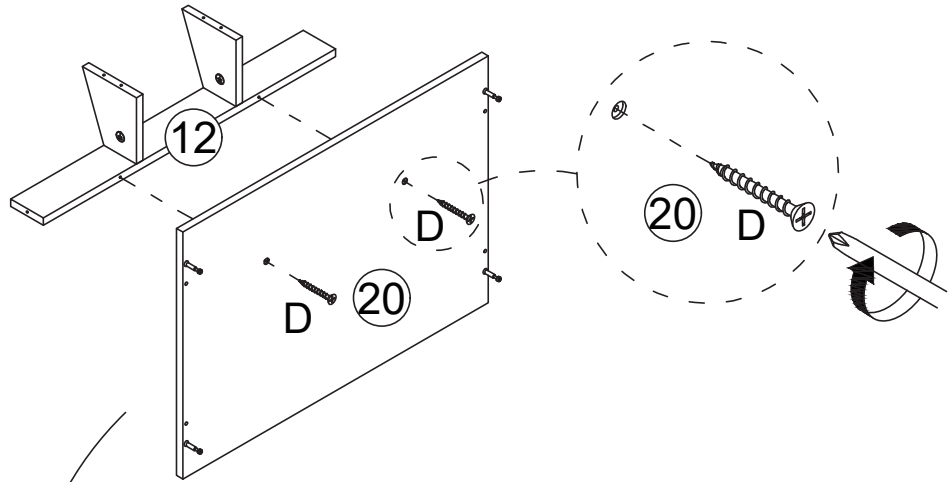
B x4
Ø15x10mm

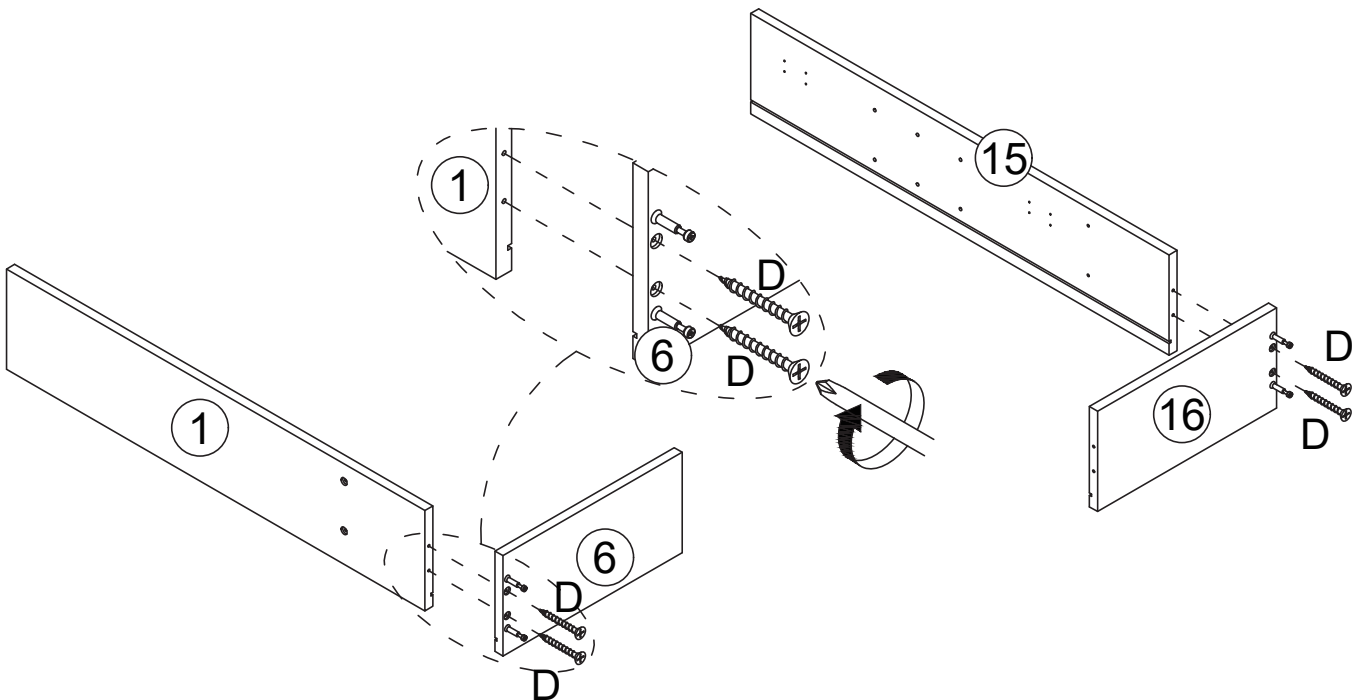
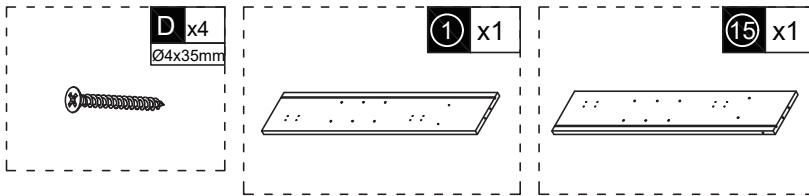
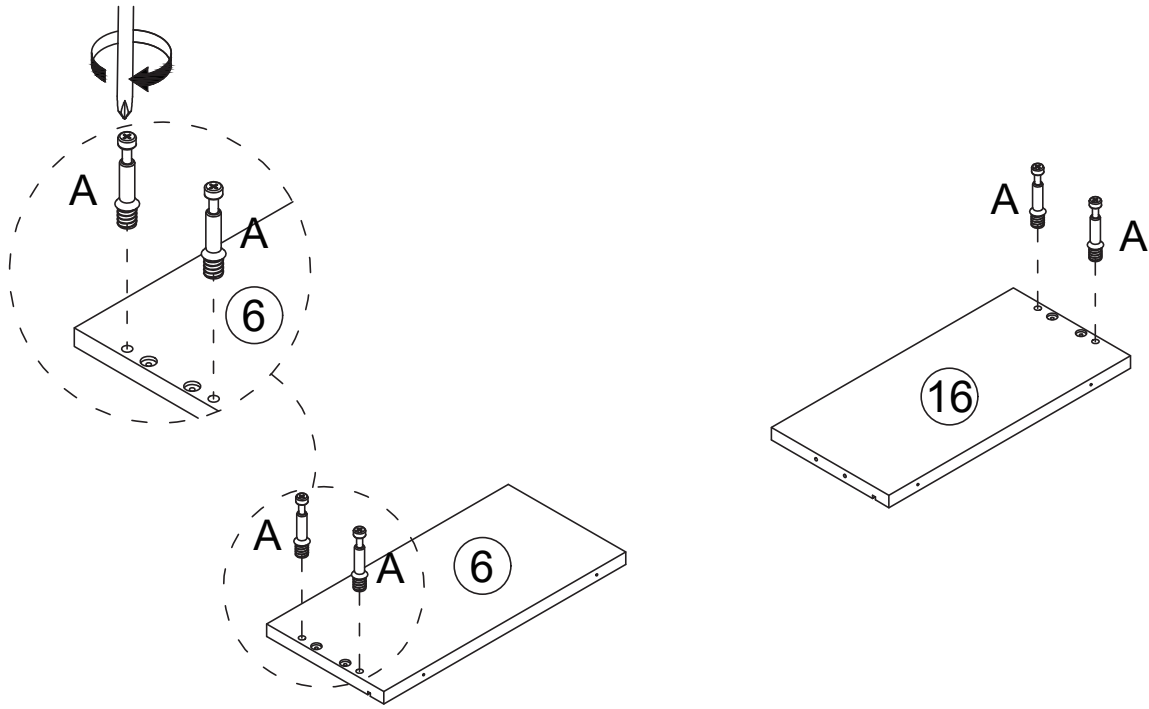
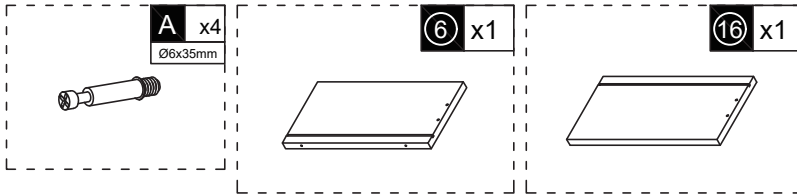


C x4
Ø6x30mm



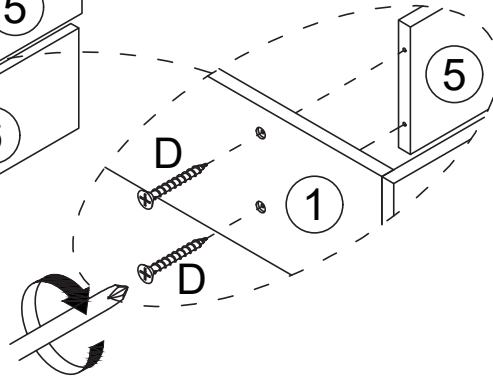
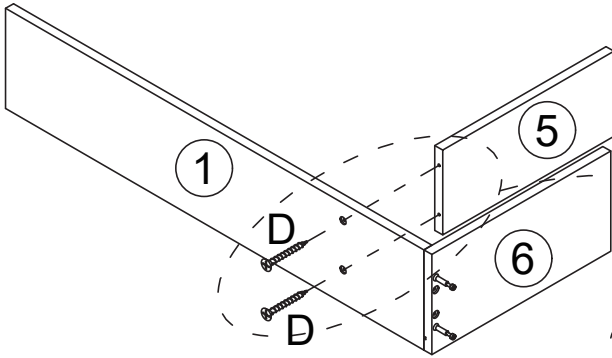
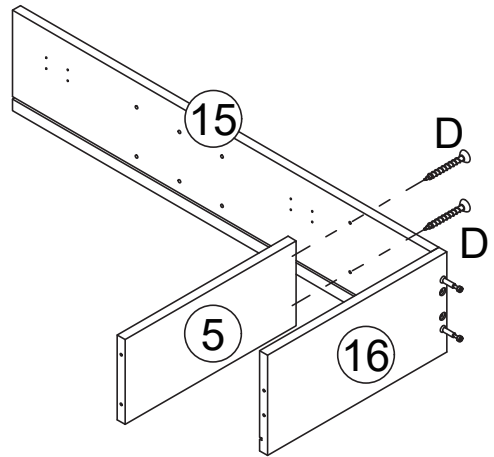
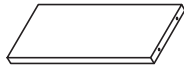
D x2
Ø4x35mm





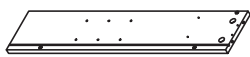
D x4
Ø4x35mm

5 x2

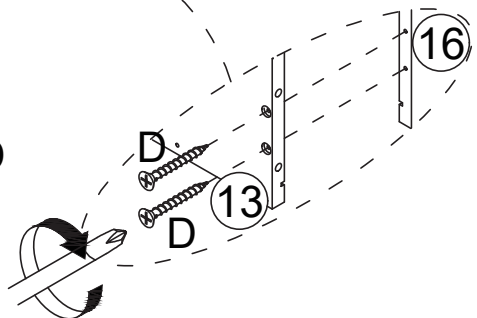
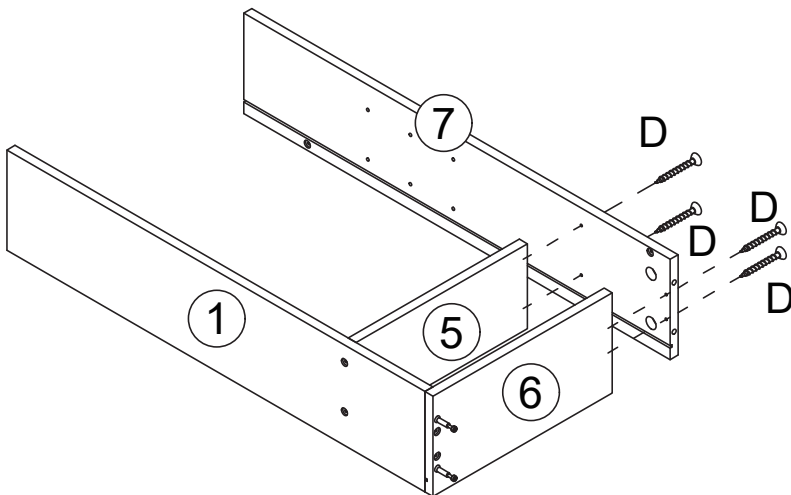
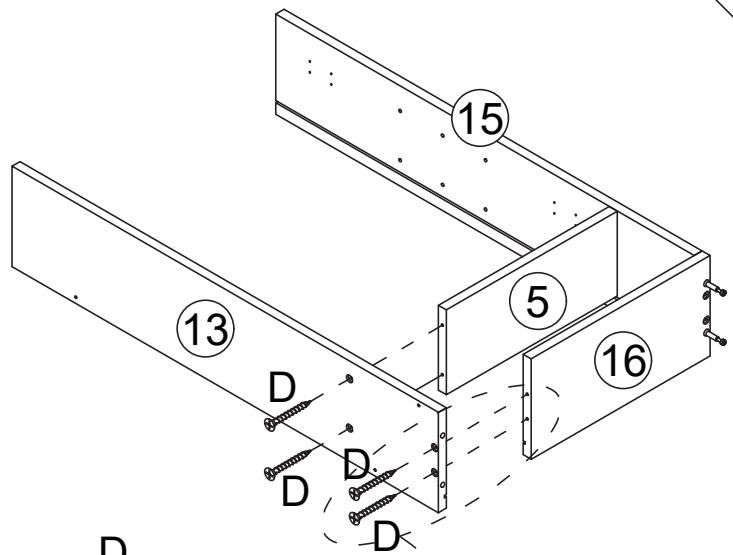
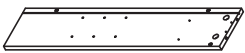


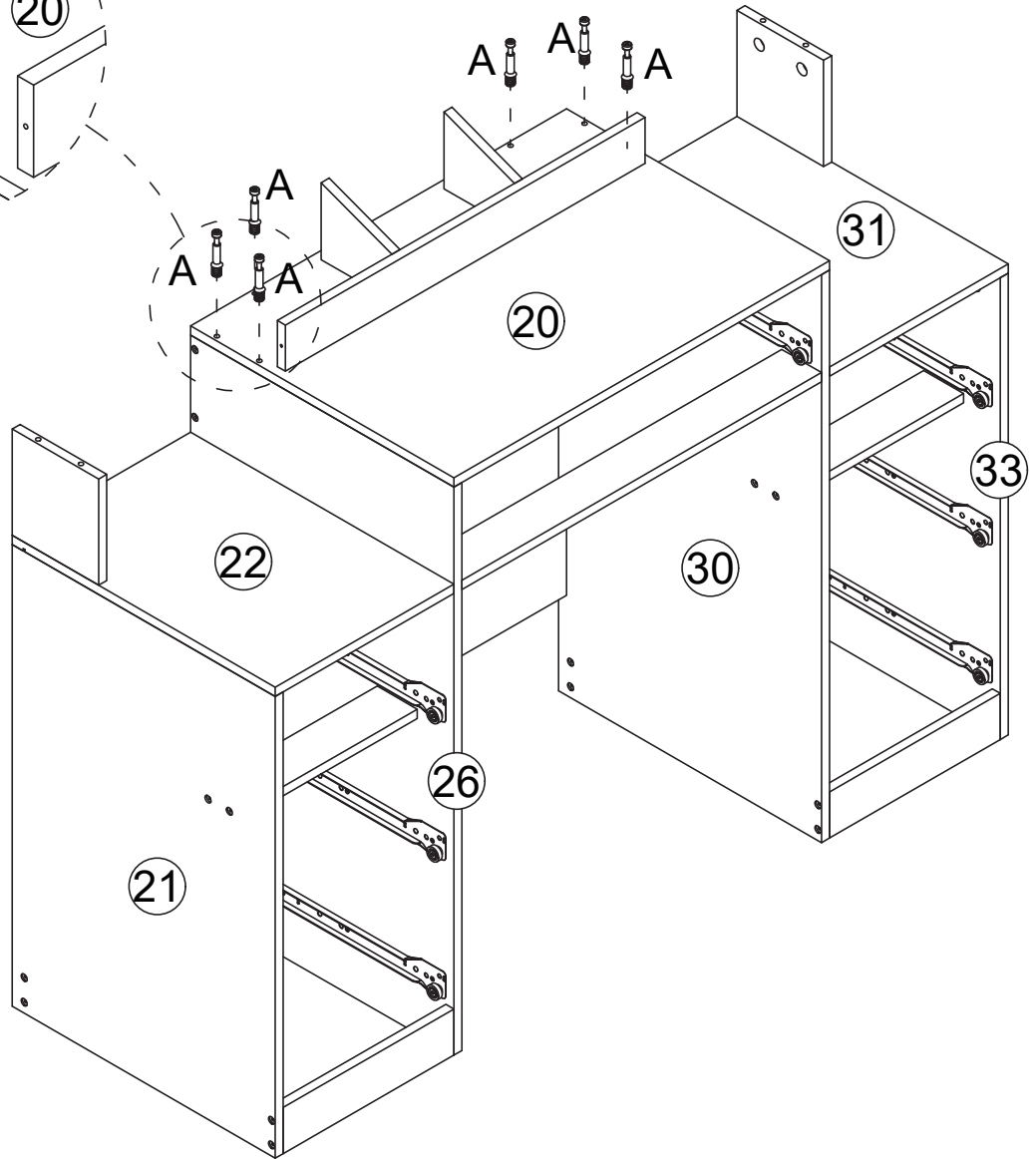
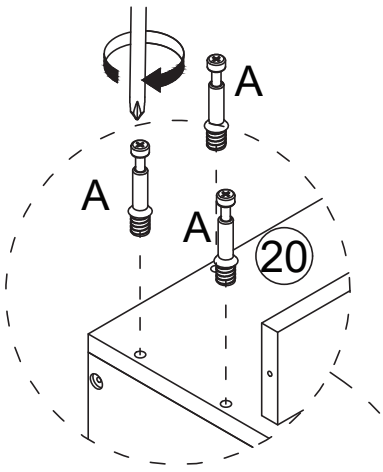
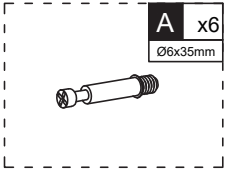
D x8
Ø4x35mm

7 x1

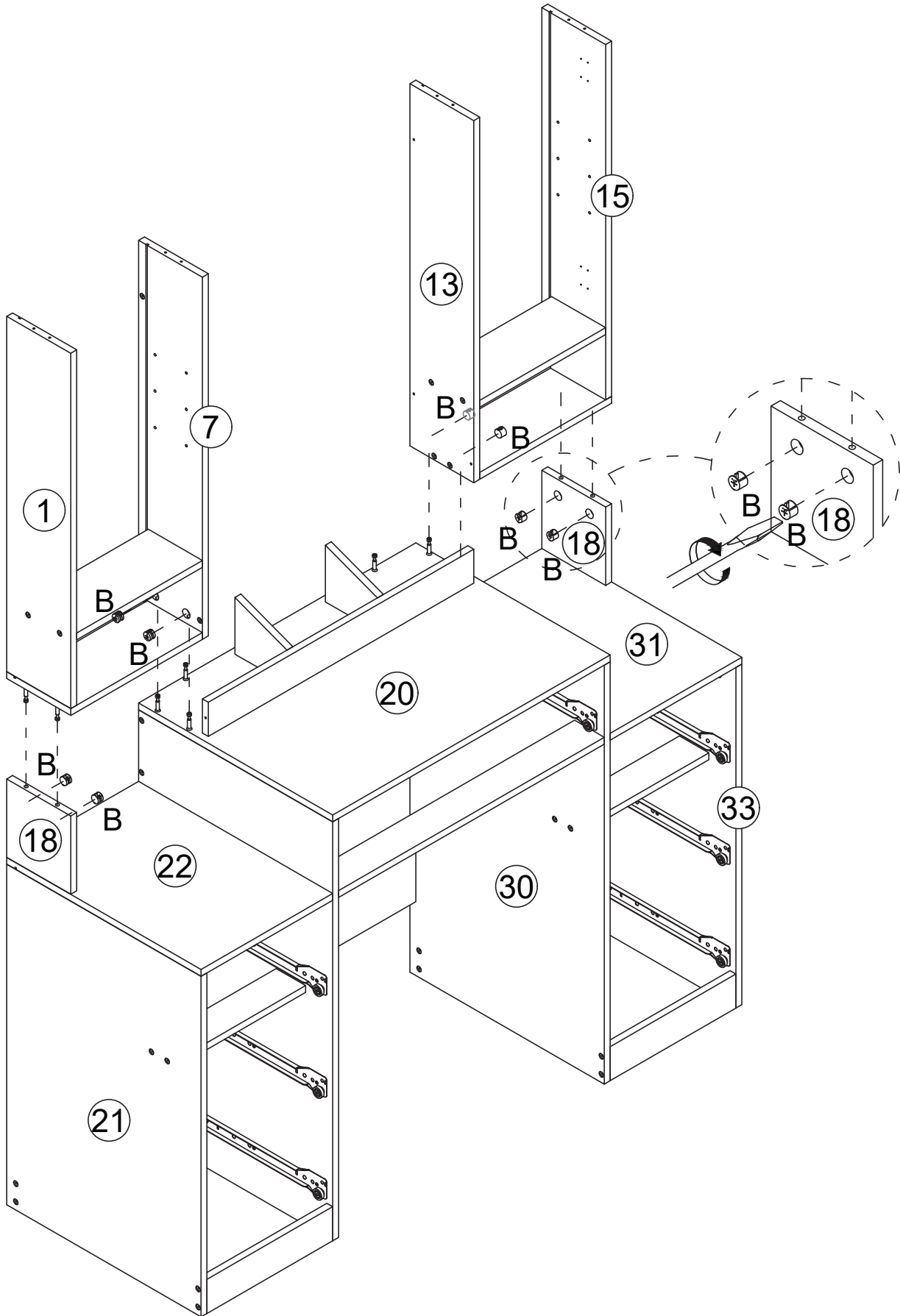


13 x1





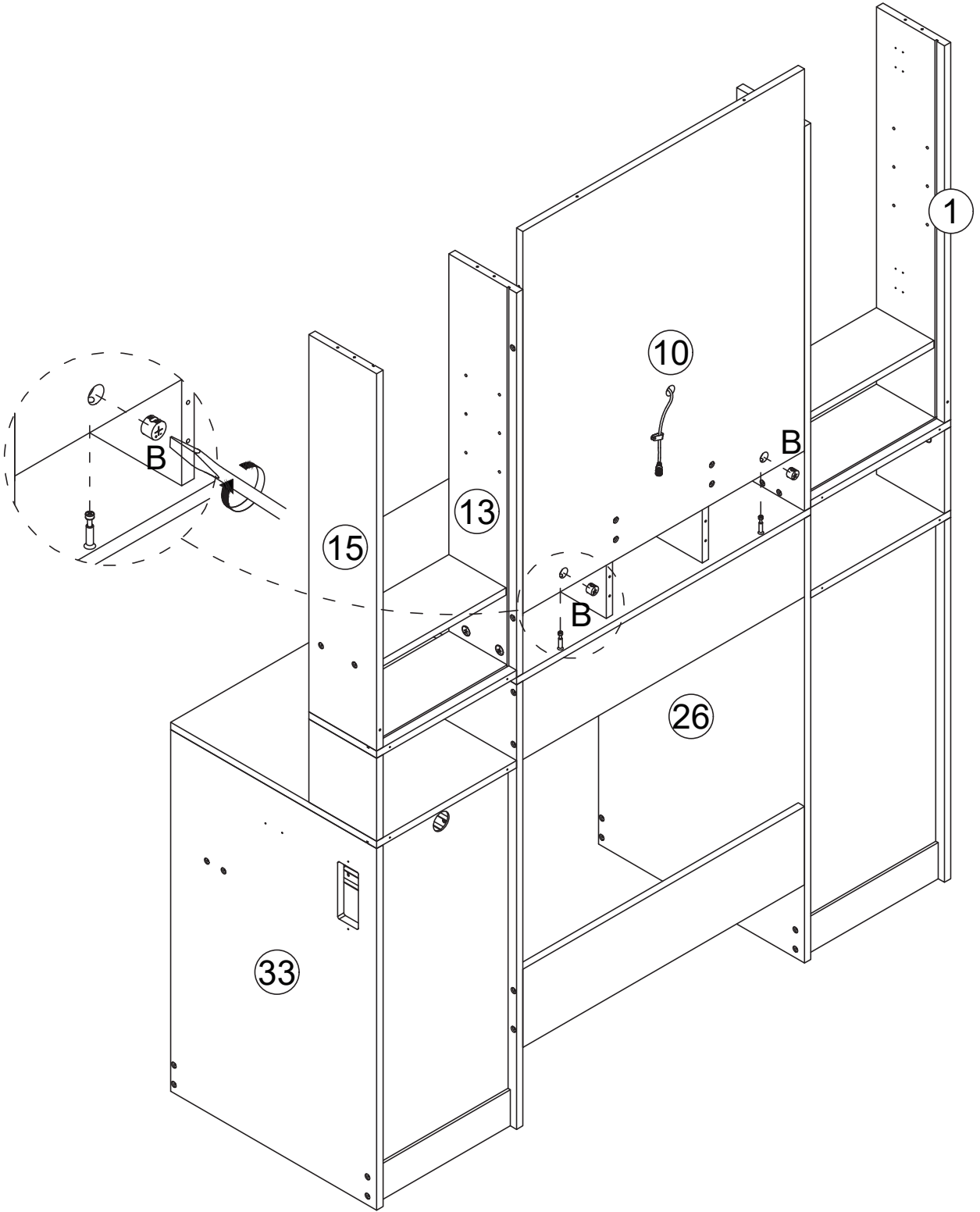
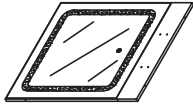
B x8
Ø15x10mm



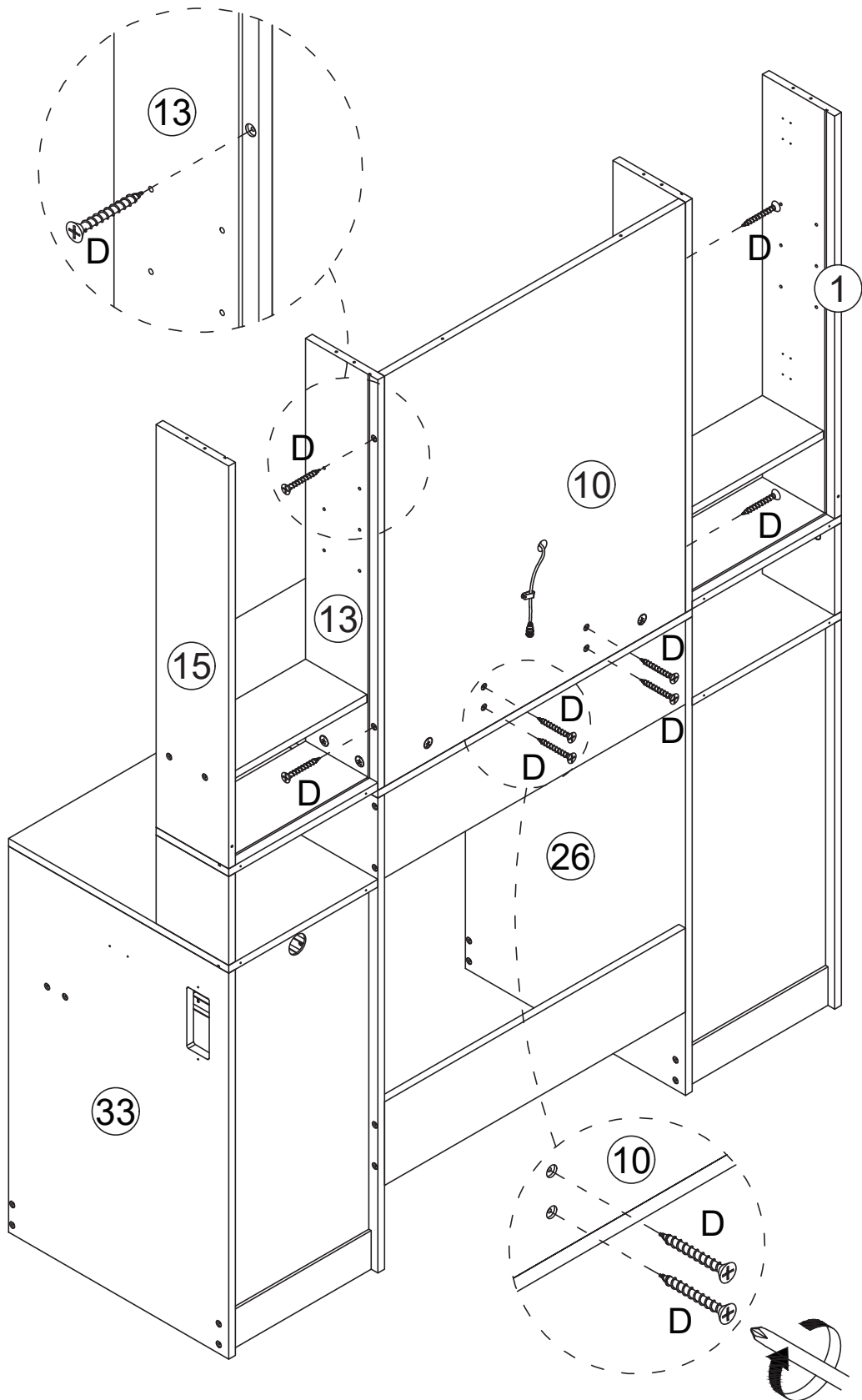
B x2
Ø15x10mm



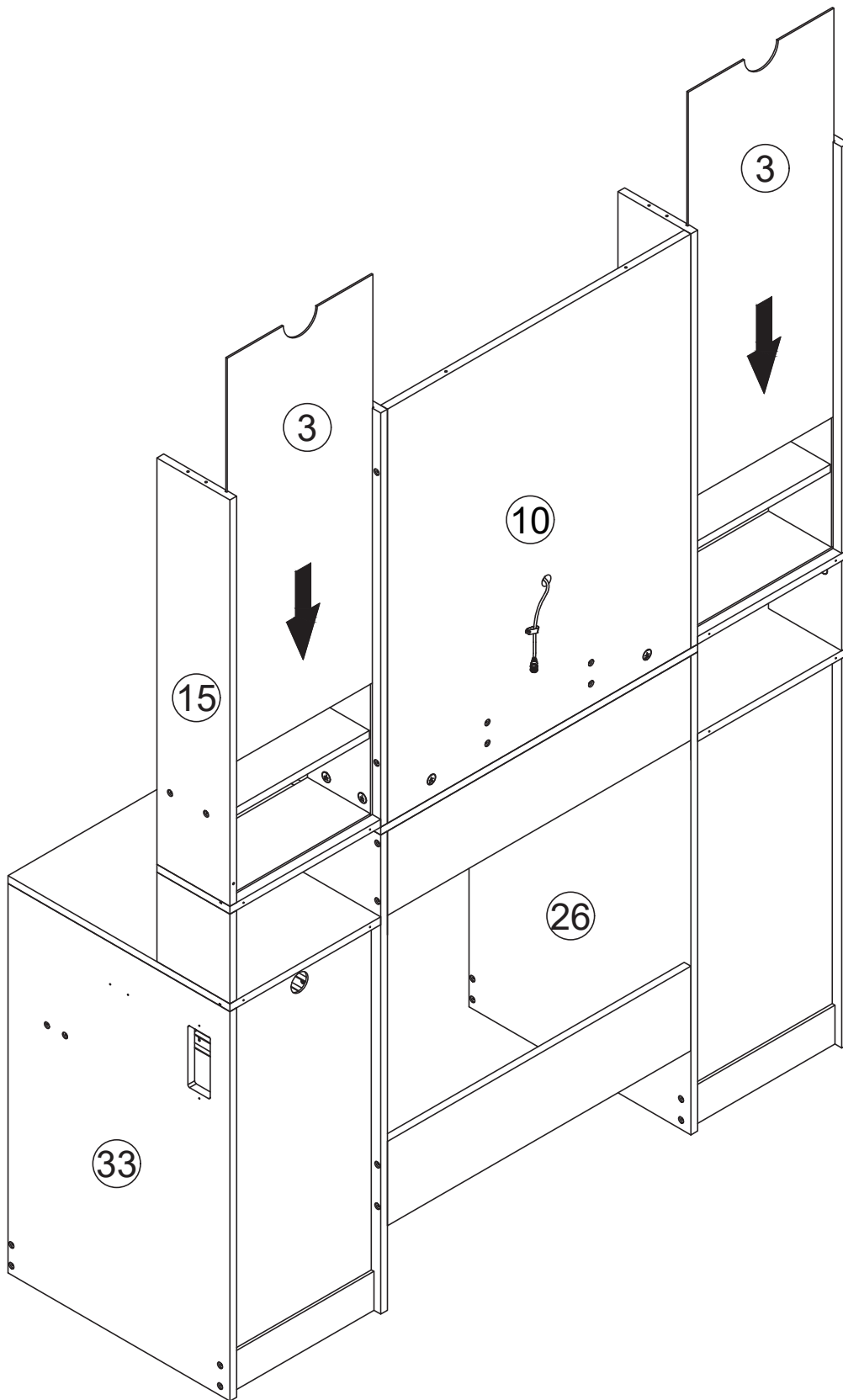
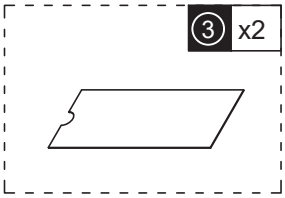
10 x1

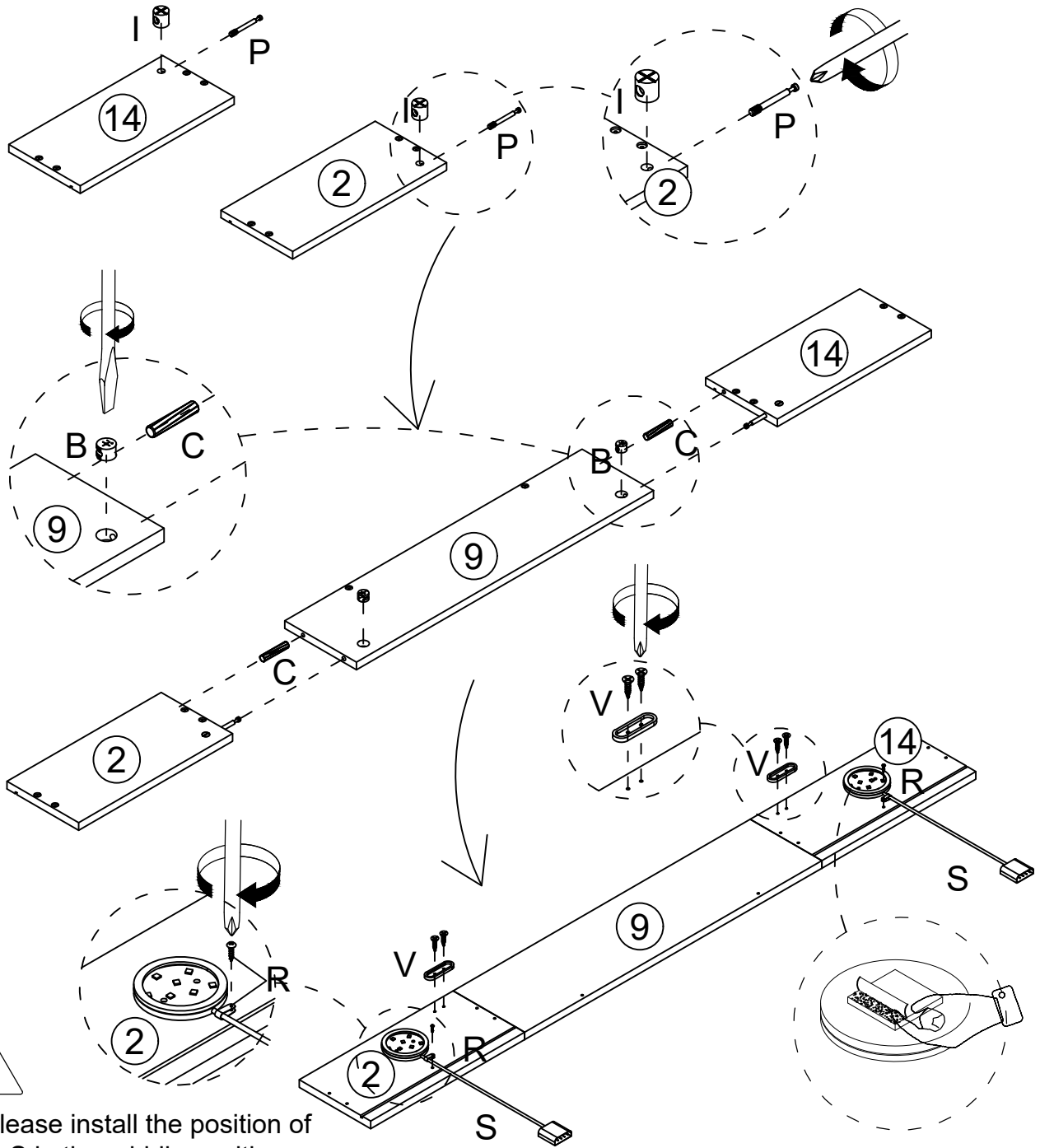
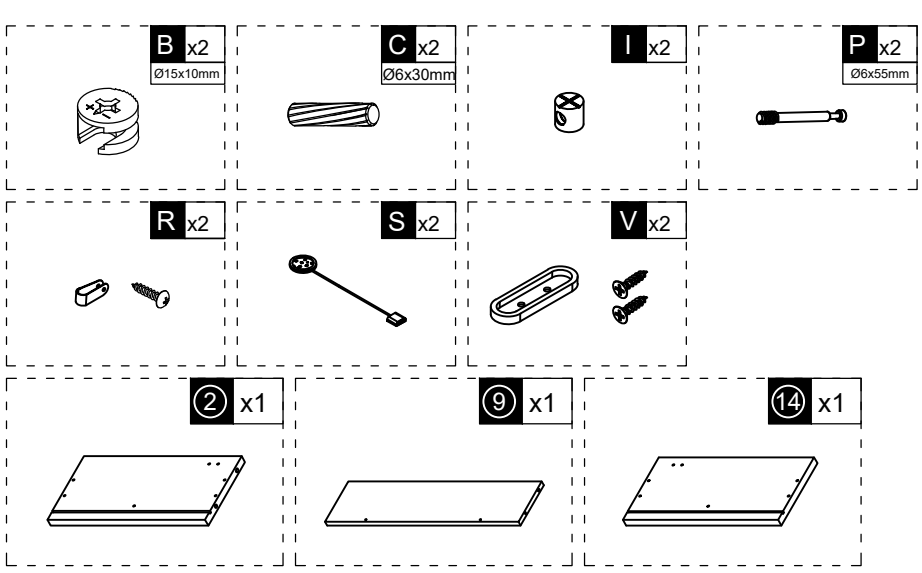


D x8
Ø4x35mm



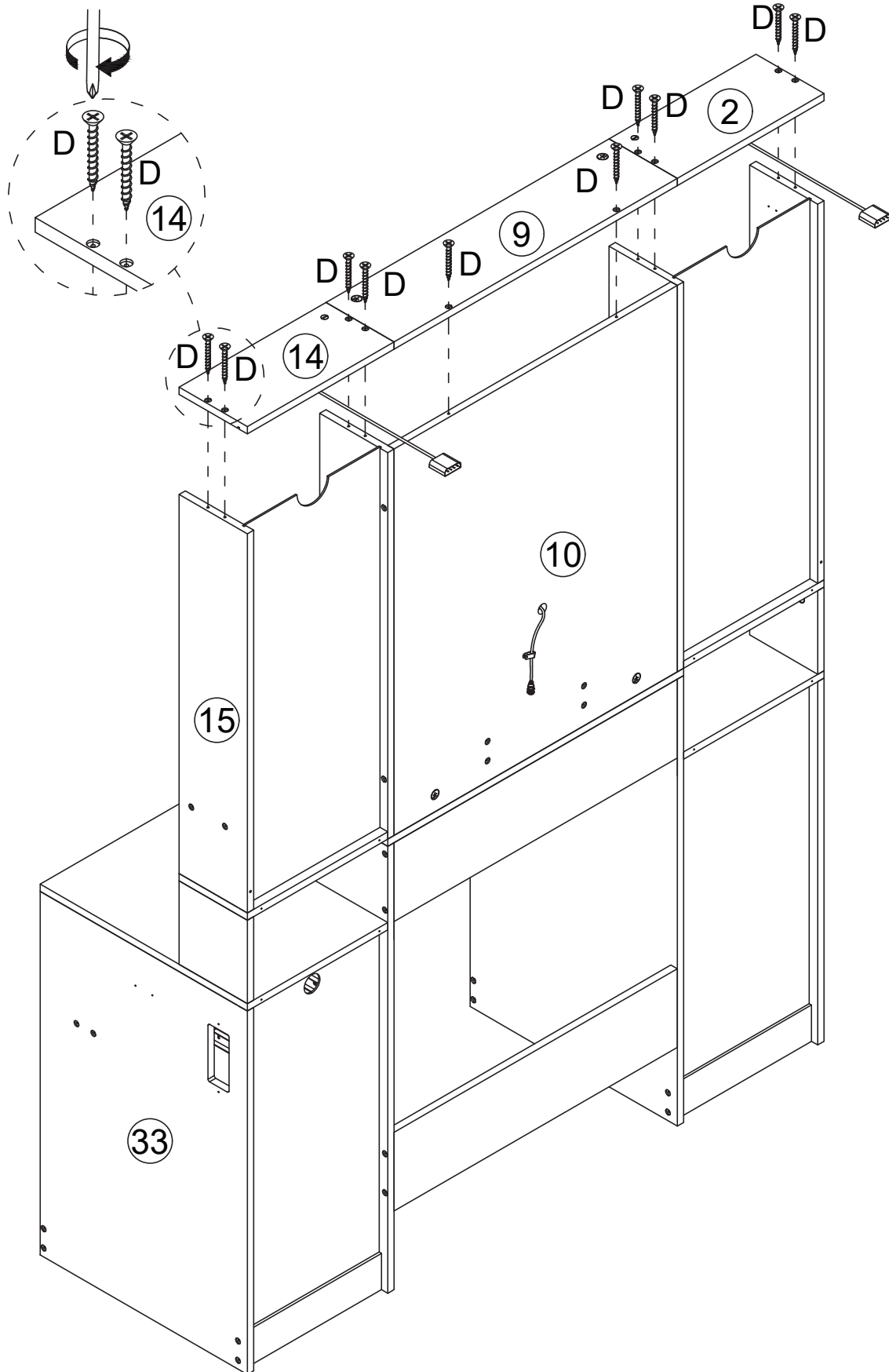
③ x2





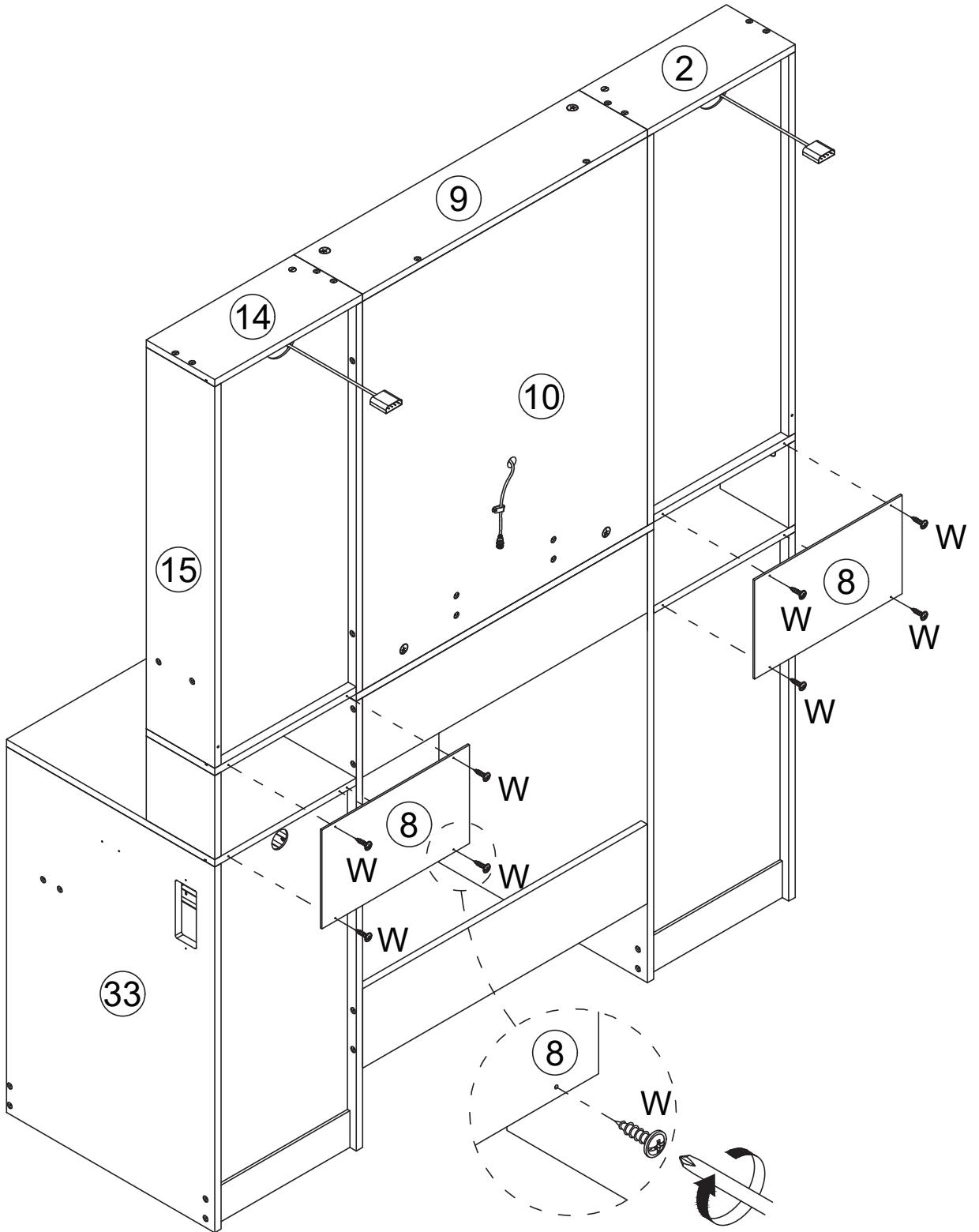
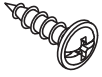
Note: Please install the position of the part S in the middle position.

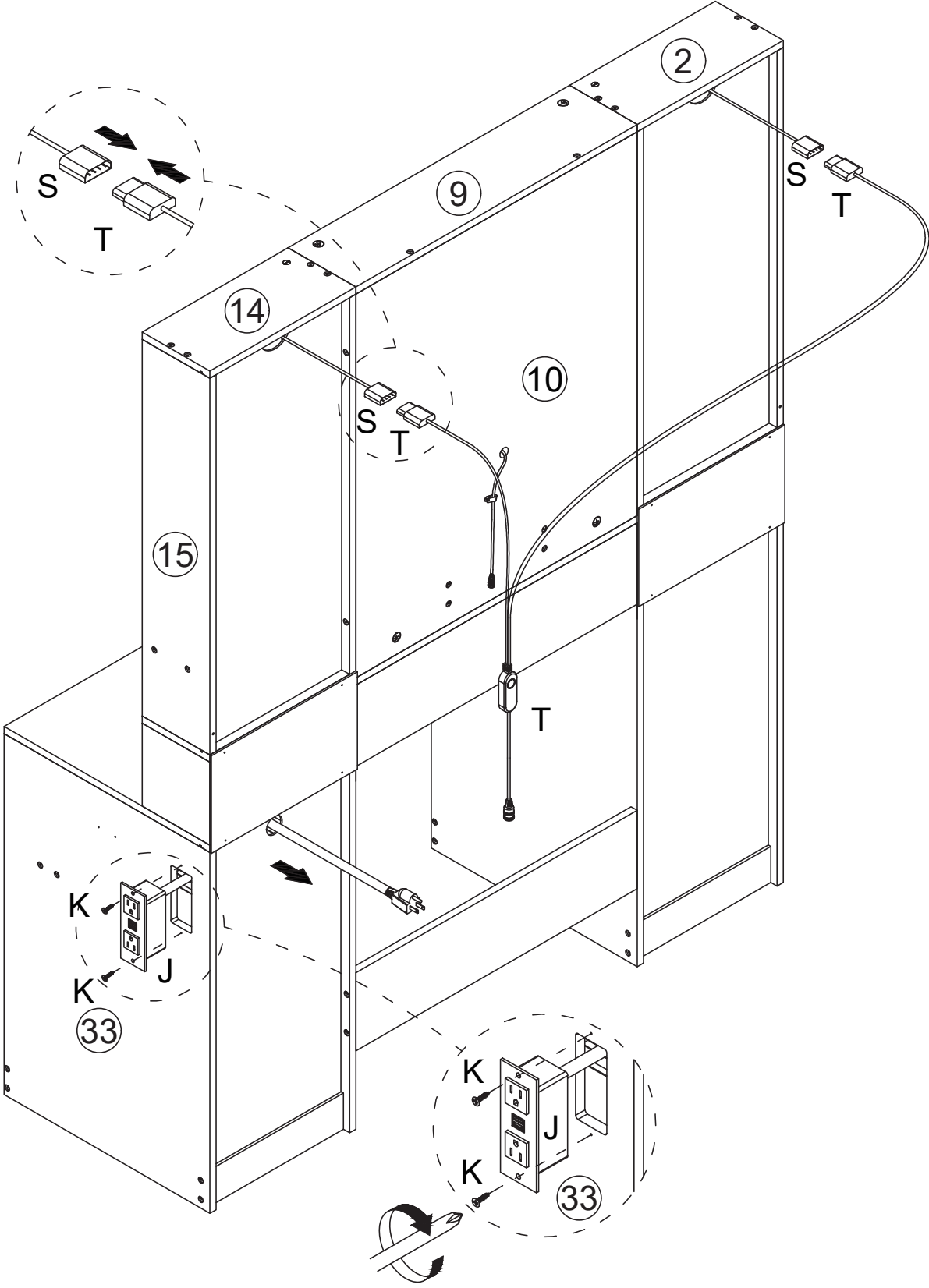
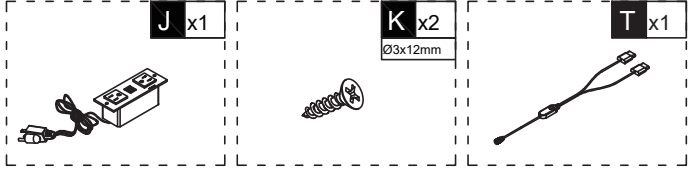
D x10
Ø4x35mm

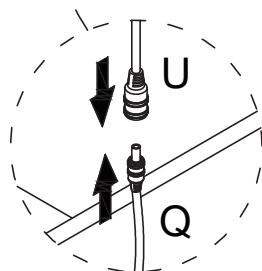
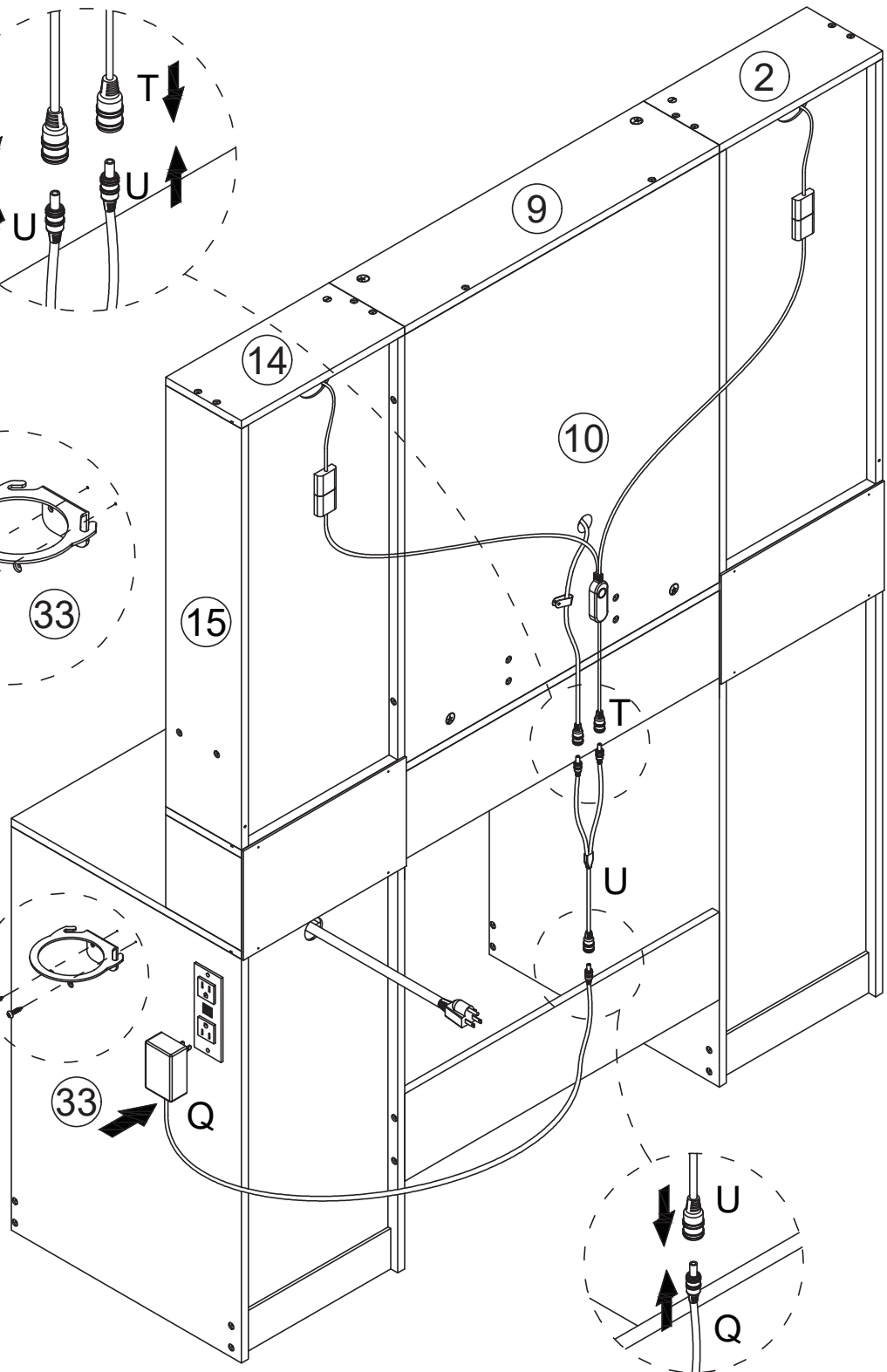
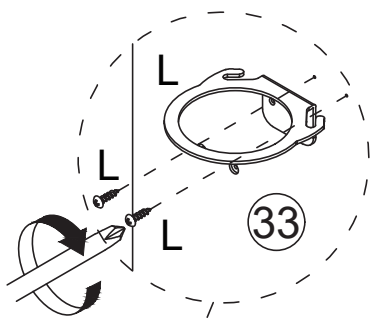
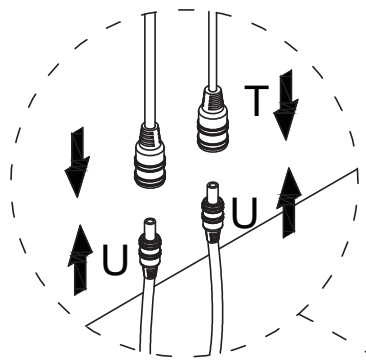
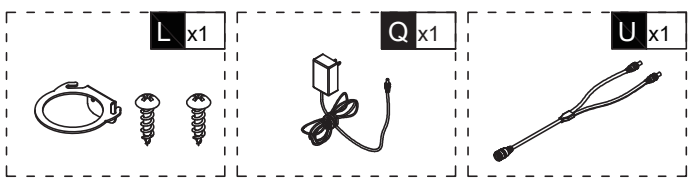


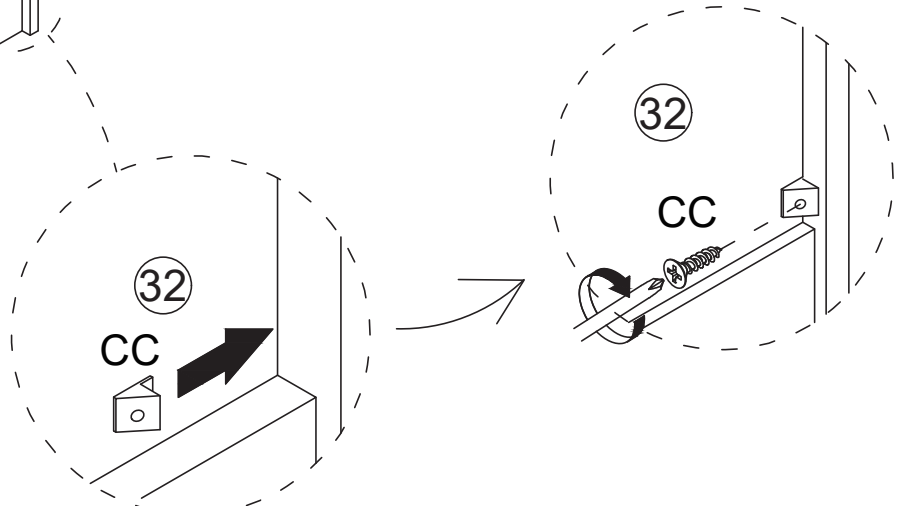
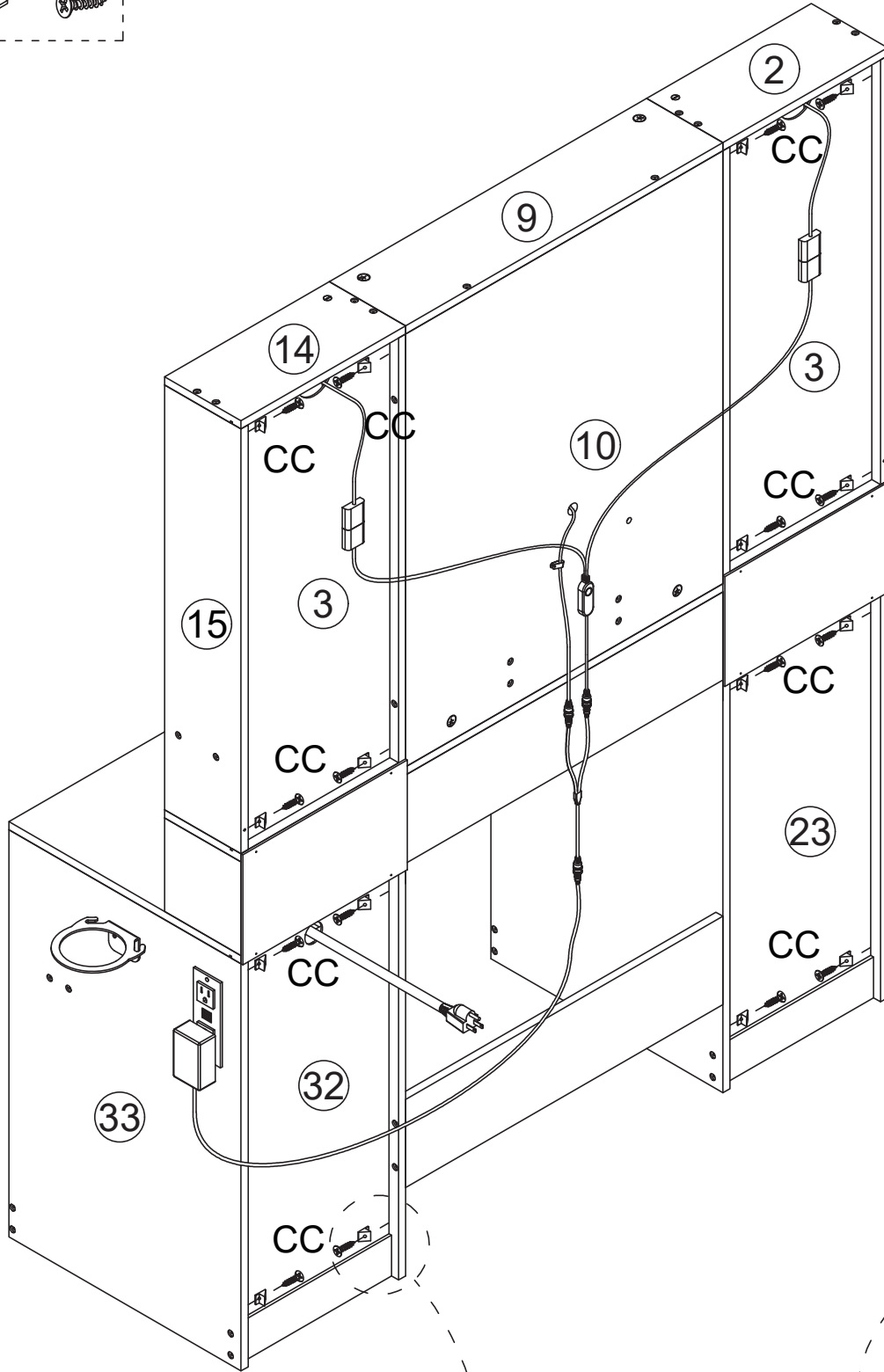
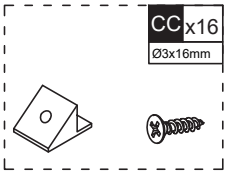
W x8

8 x2









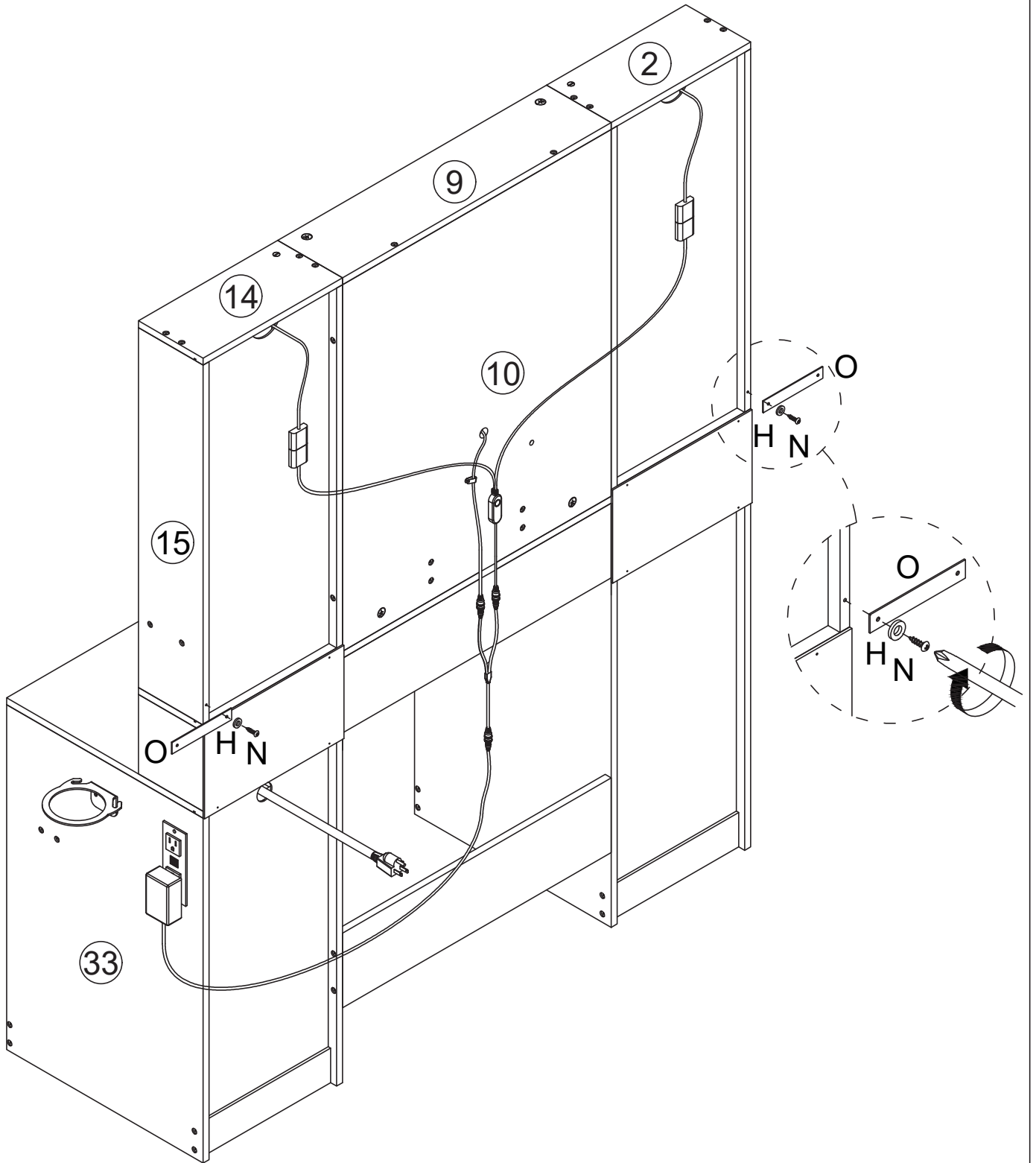
H x2



N x2



O x2



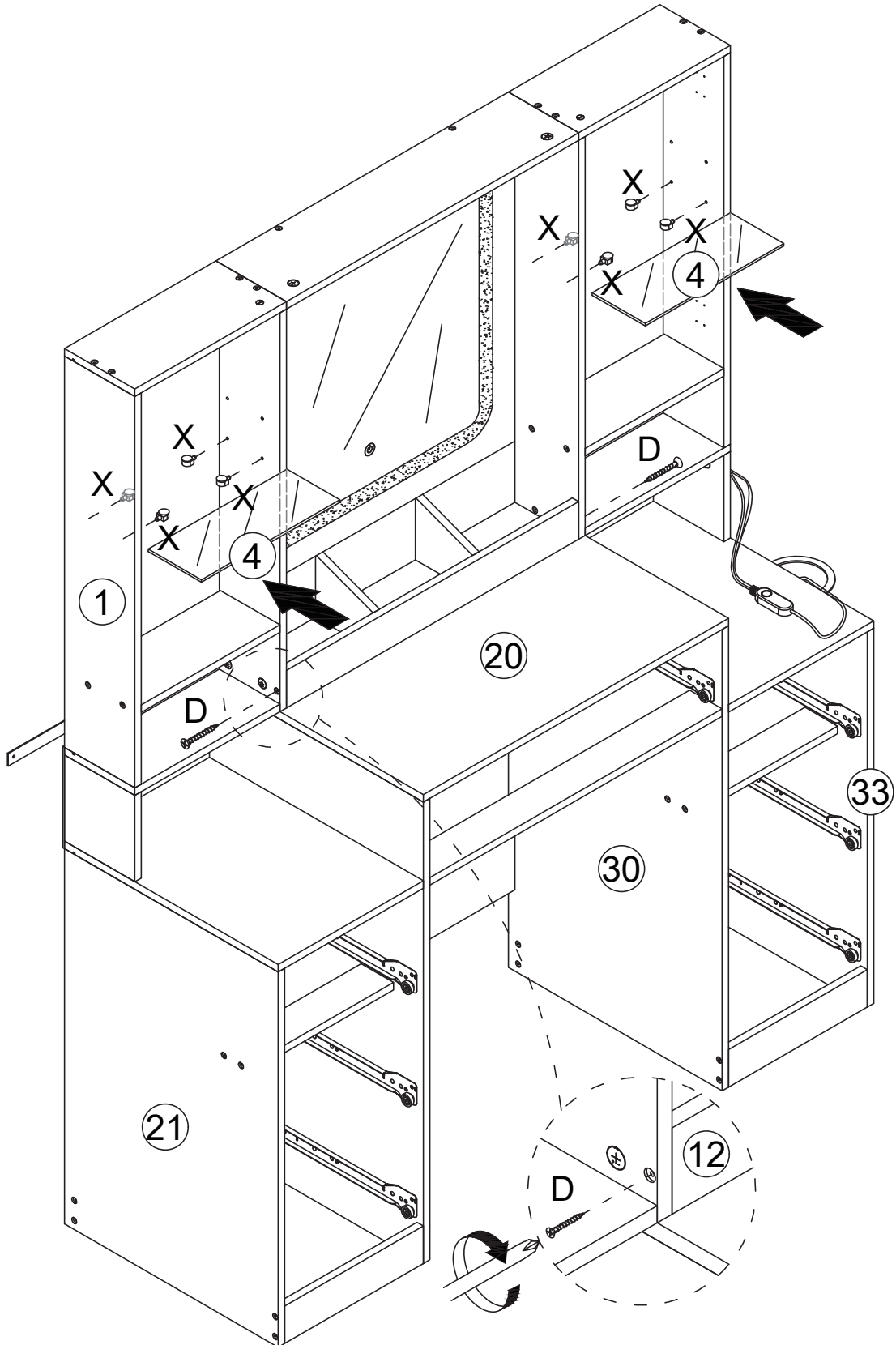
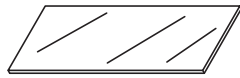
X x8



D x2
Ø4x35mm



4 x2



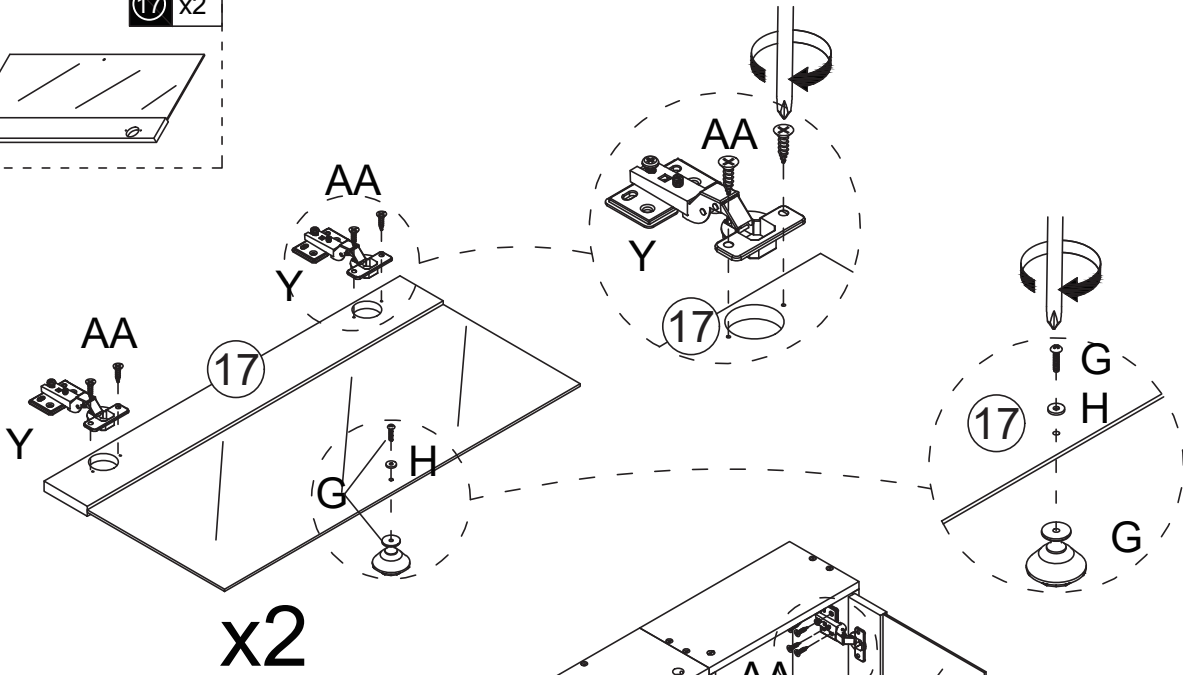
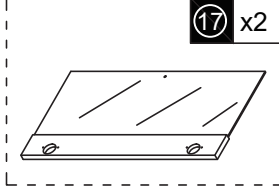
G x2
Ø4x12mm

H x2

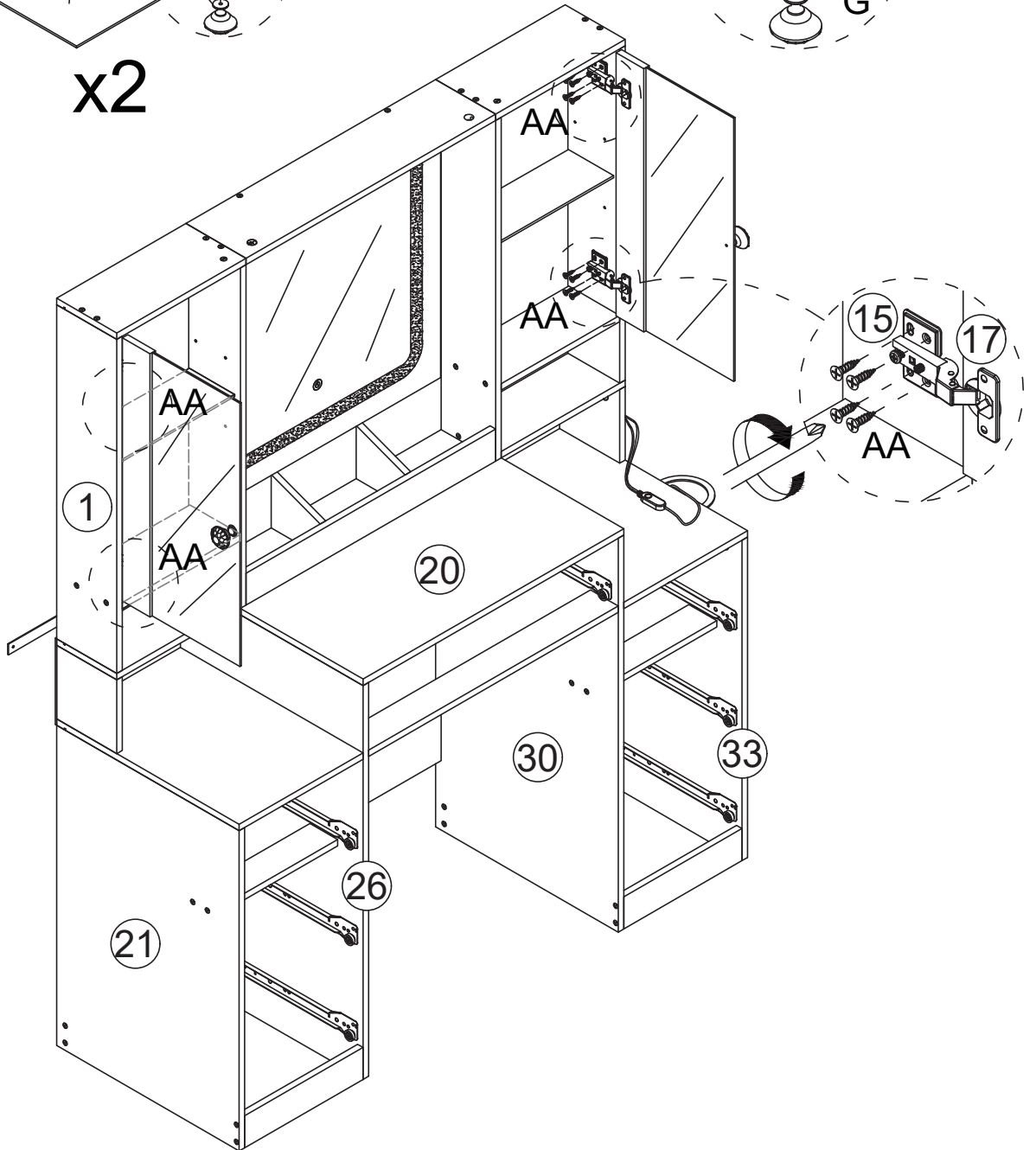
Y x4

AA x24
Ø3.5x12mm

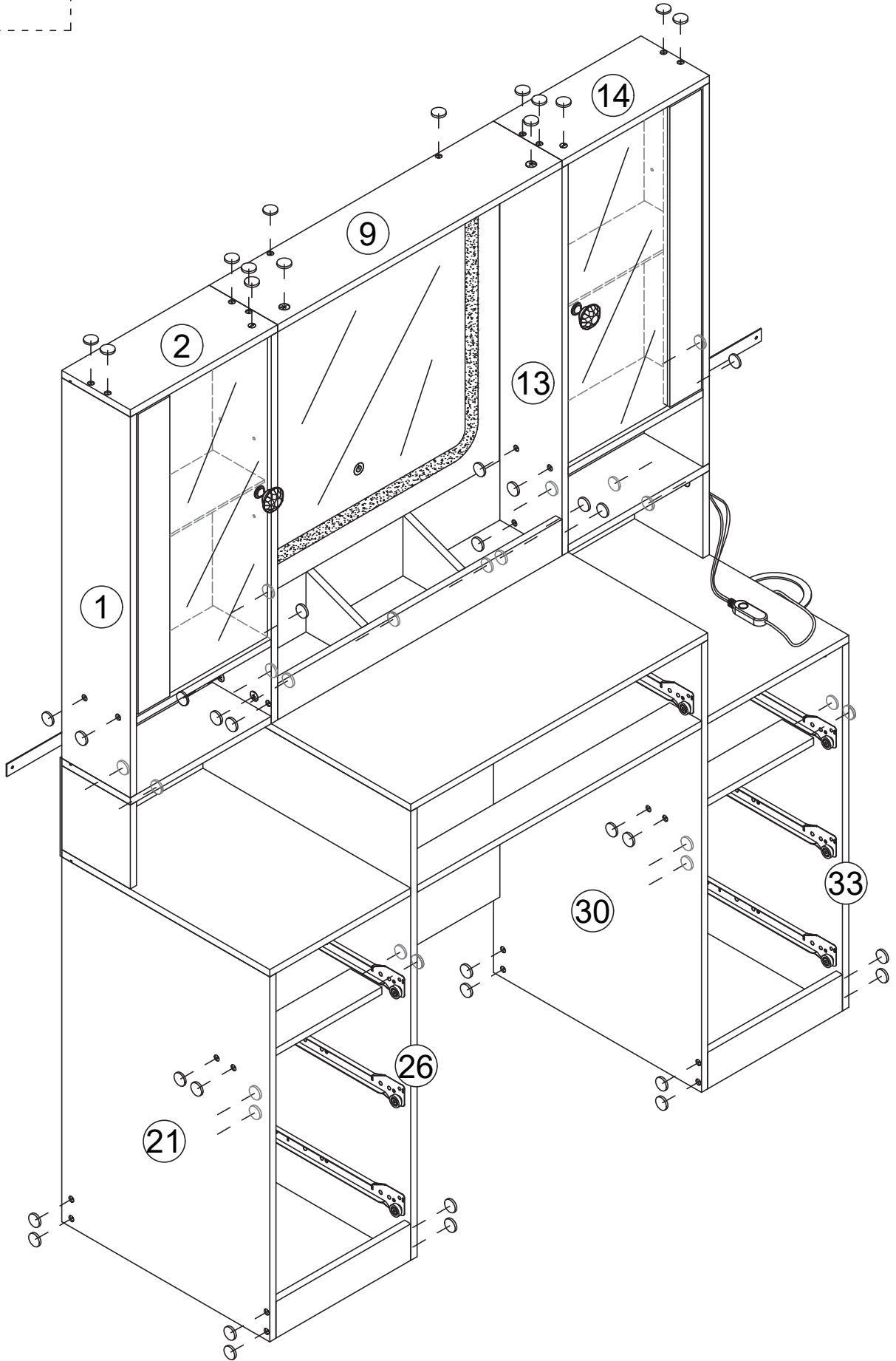
17 x2

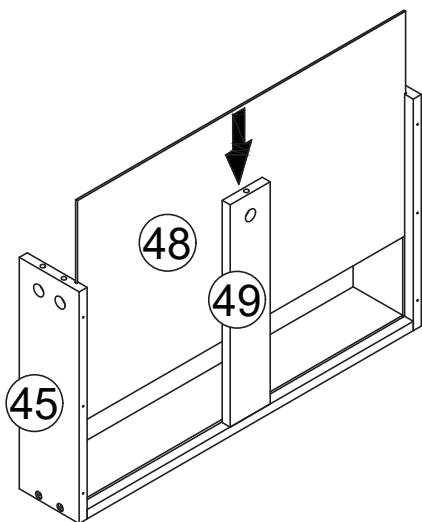
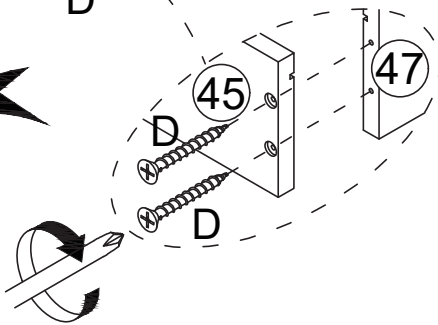
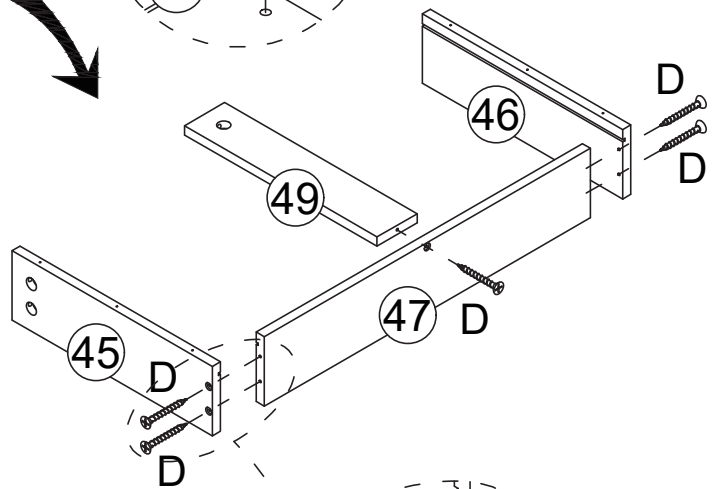
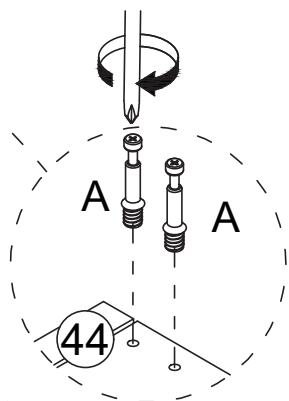
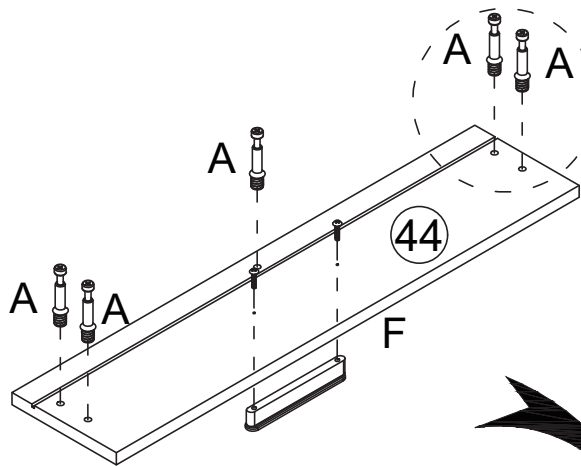
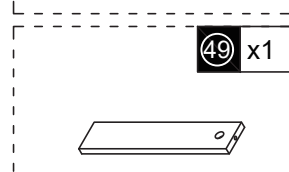
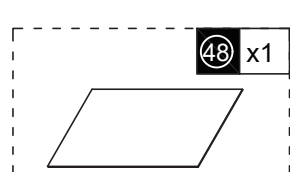
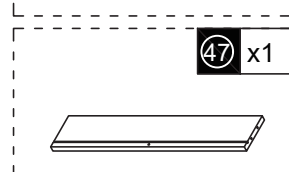
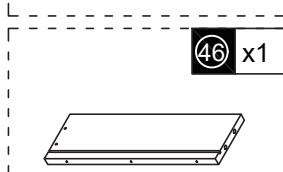
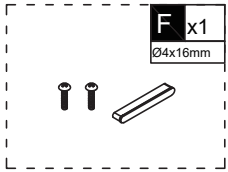
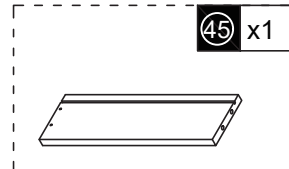
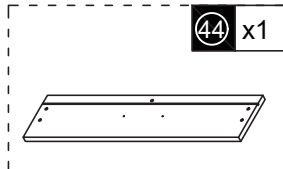
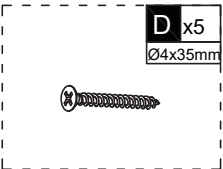
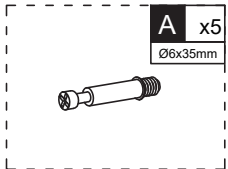


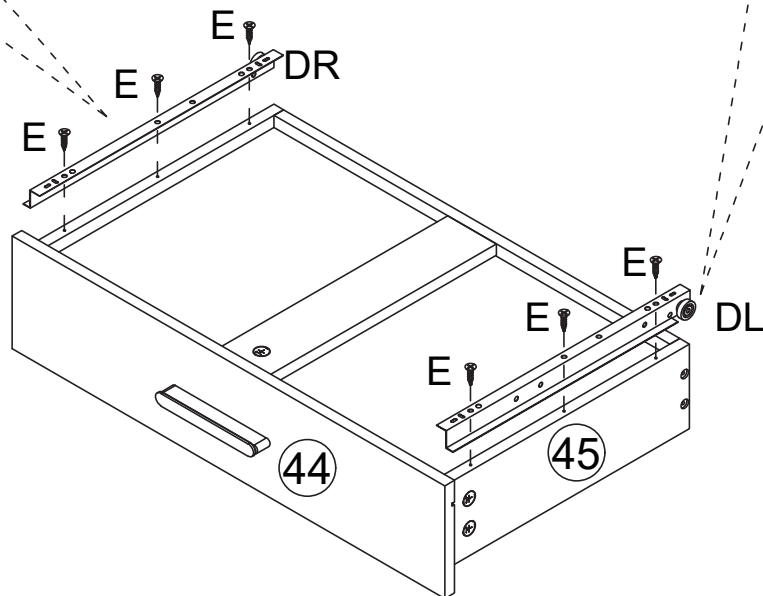
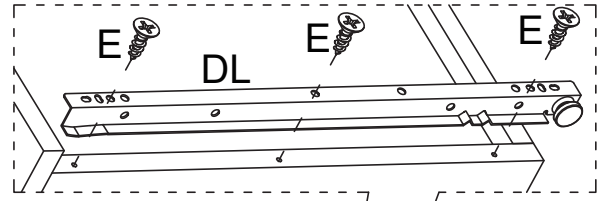
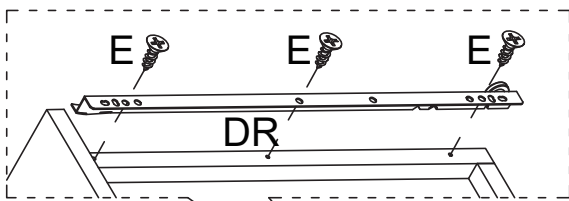
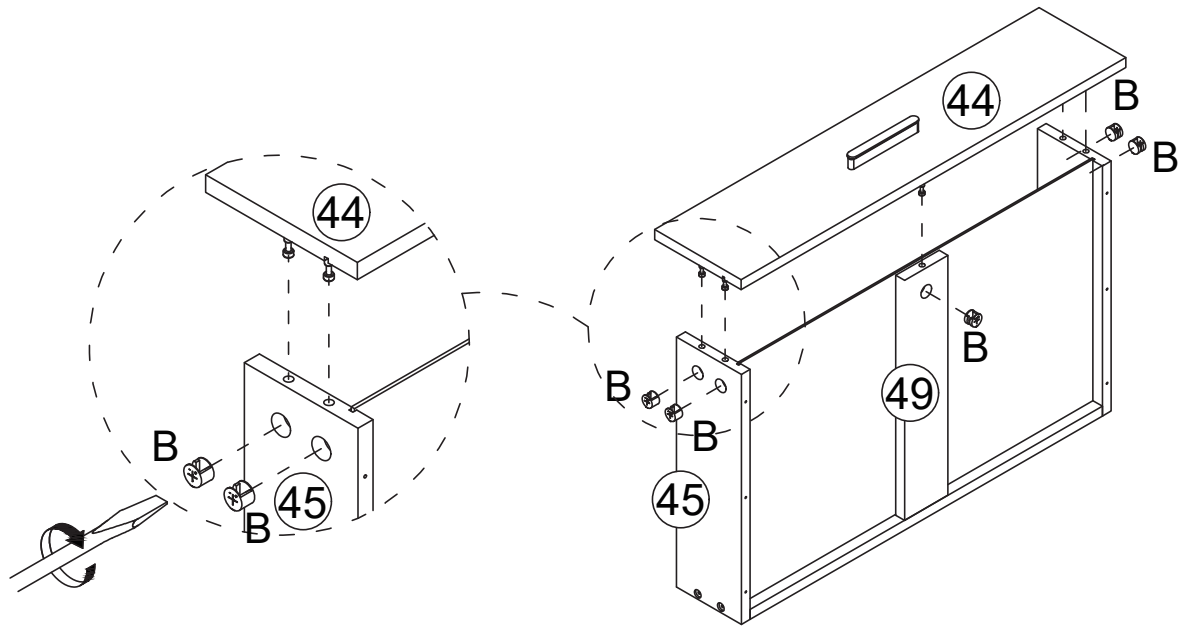
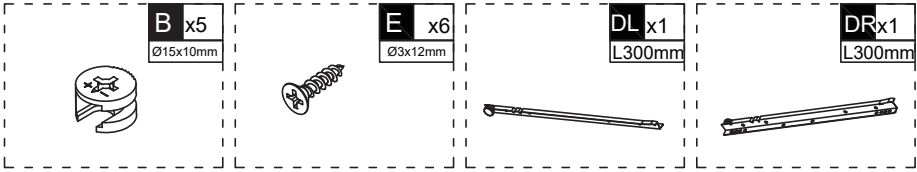
x2

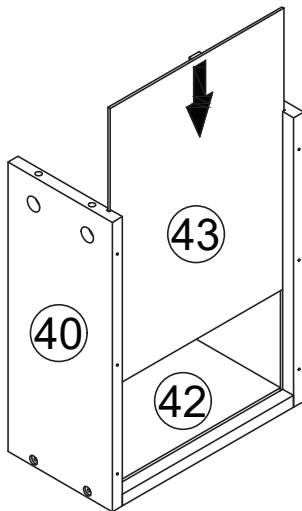
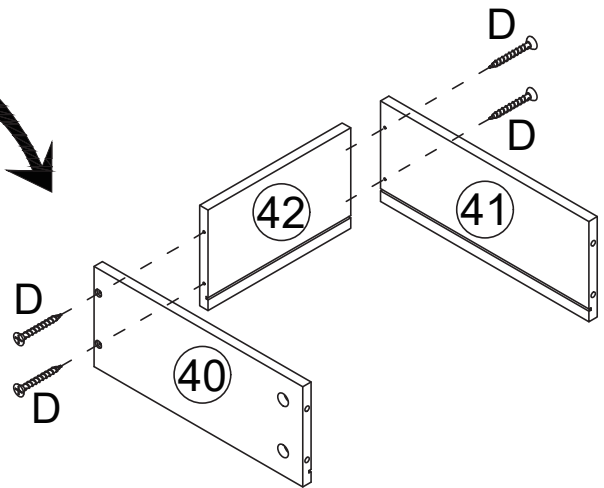
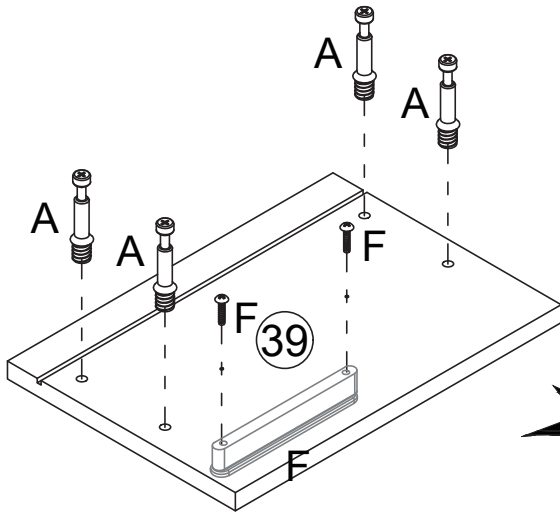
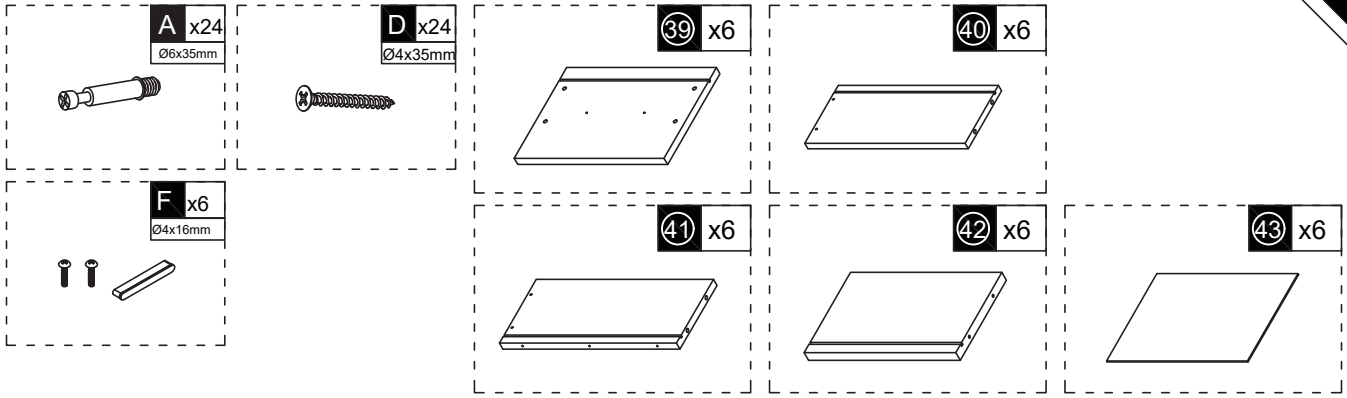


BB x66









x6

B x24
Ø15x10mm



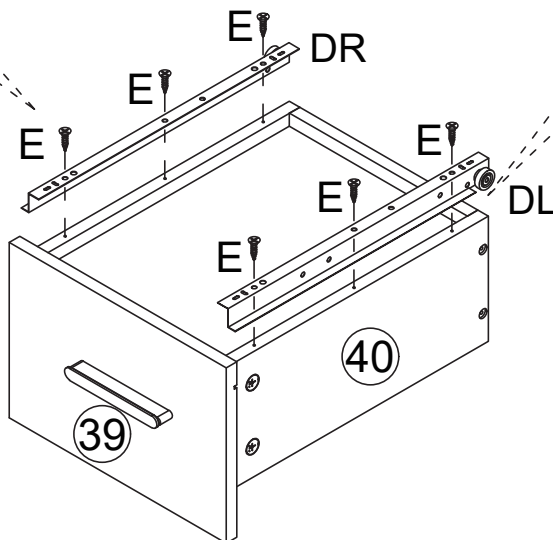
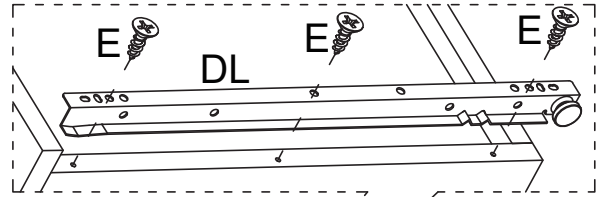
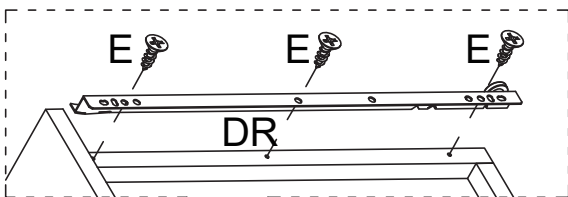
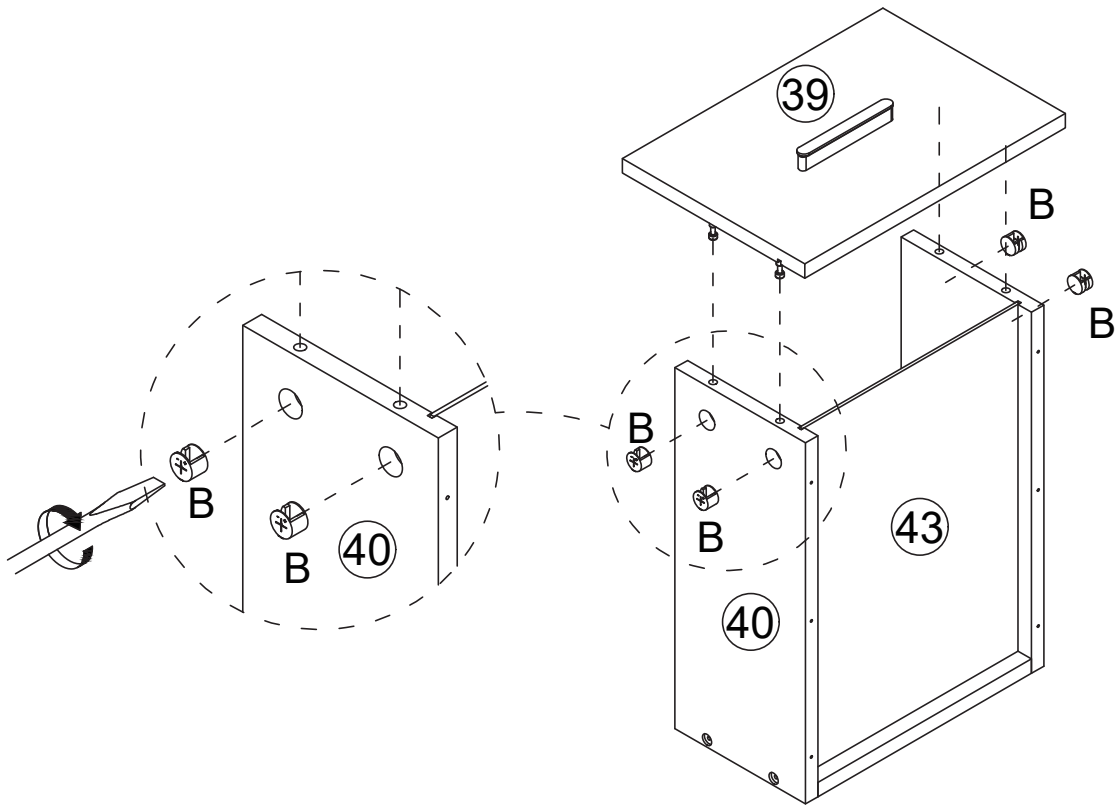
E x36
Ø3x12mm



DL x6
L300mm



DRx6
L300mm

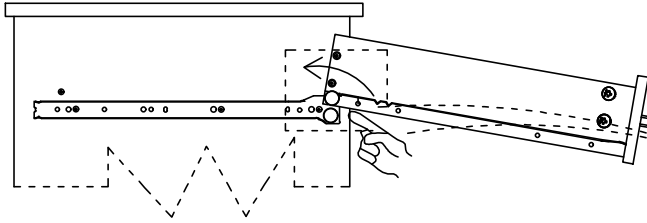


x6

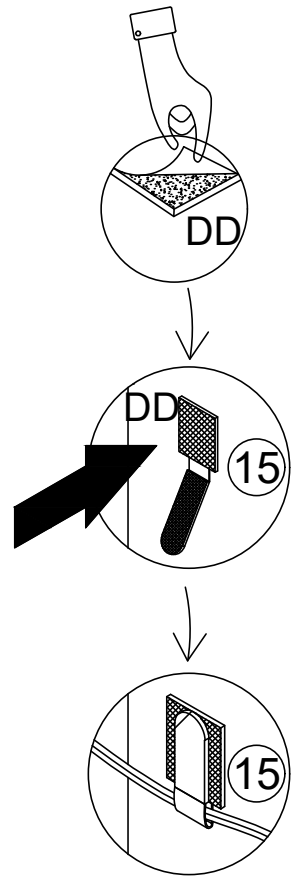
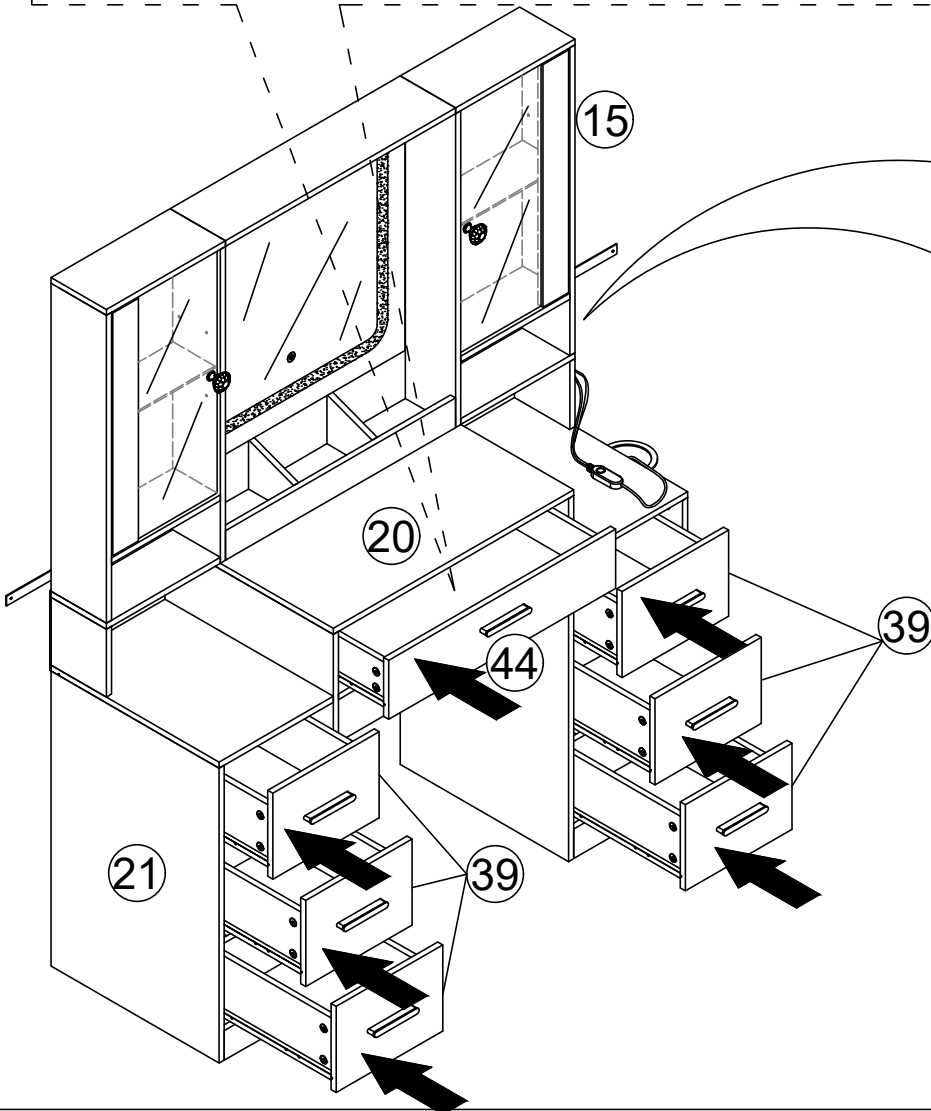
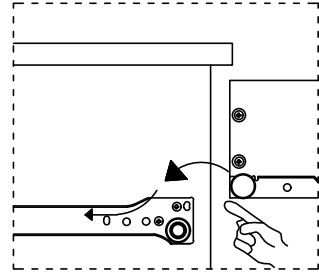
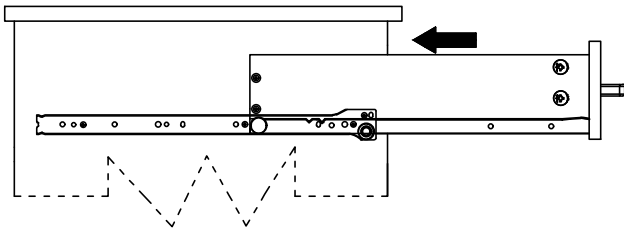
DDx1



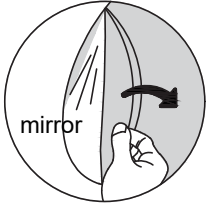
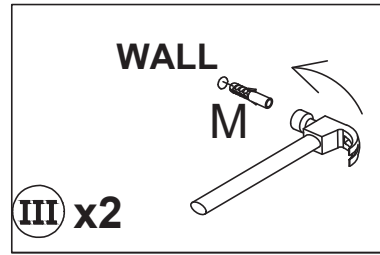
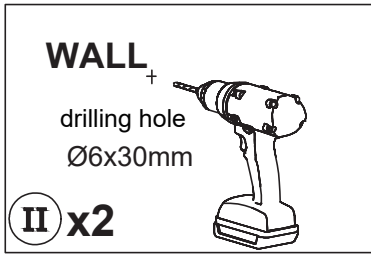
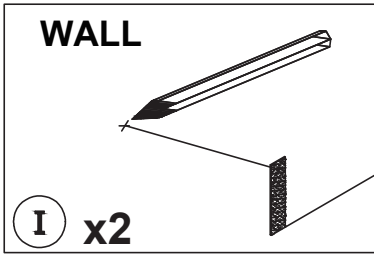
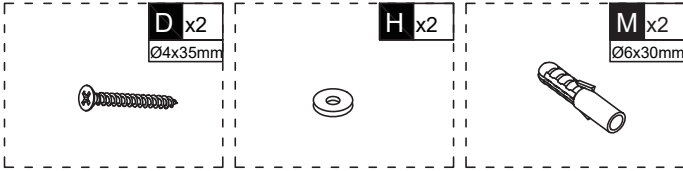
(1)



(2)



You are free to choose whether to install and where to install.



Please tear off the film on the outside of the mirror.

