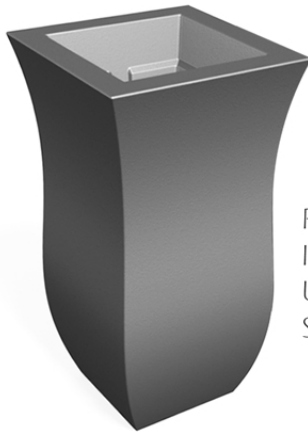
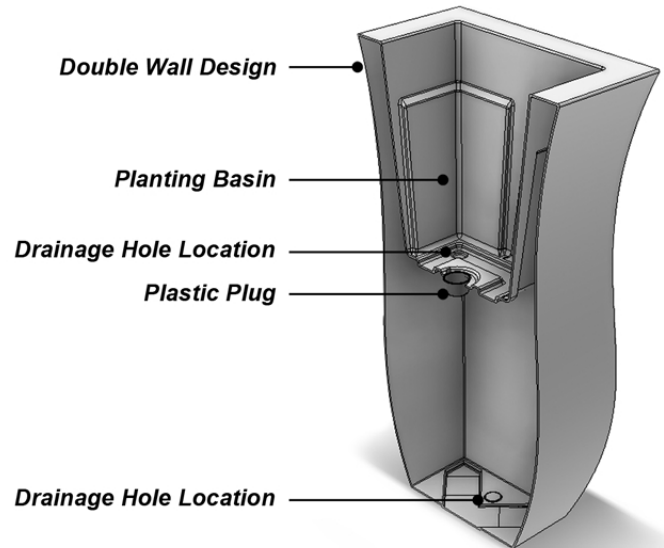


designer planters

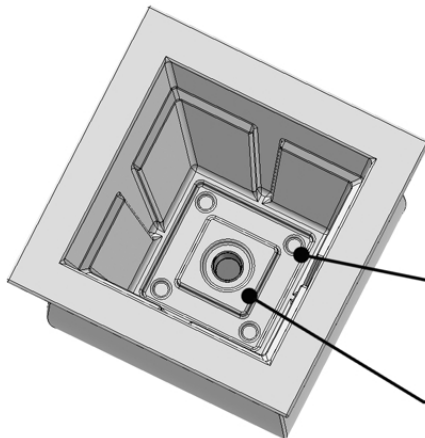


Polyresin Planter
Indoor/Outdoor Use
UV Protected
Shock Resistant



GENERAL INFORMATION:

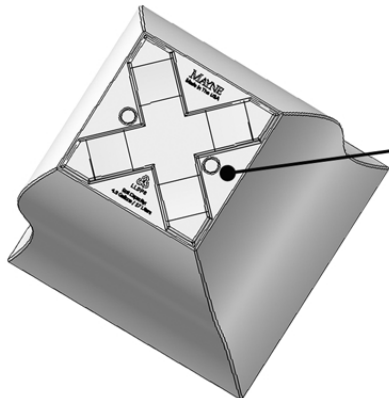
- Molded from durable, all-weather polyethylene
- Drill drainage holes when using planters outdoors
- For added stability, fill inner cavity with pea gravel or crushed stone
- Rinse clean with a garden hose; for a deeper clean, use a power washer



INSTALLATION TIPS:

For outdoor use drill 1.3 cm (1/2 in) drainage holes in the marked locations. There are 4 recessed areas in the bottom of the planter basin

To increase stability, remove red plug and fill the inner cavity with pea gravel or crushed stone.



For outdoor use drill 1.3 cm (1/2 in) drainage holes in the marked locations. There are 2 recessed areas in the bottom of the planter.

