

<b>Product Name:</b>	Resin Round Bubbler Outdoor Fountain with Lights, Solar Powered
<b>SKU #:</b>	WHF1960

Thank you for purchasing this LuxenHöme product. This product has been manufactured with the highest standards of safety and quality.

**PLEASE READ ALL INSTRUCTIONS BEFORE ASSEMBLY.**

Please make sure to unpack all the components from the packaging inside the carton to ensure that there are no missing or damaged parts. Do not attempt to assemble or use the product if any parts are missing or damaged.

**CARTON CONTENTS:**

Description	Quantity
Fountain Top	1
Fountain	1
Pump	1

**Compatible Pumps for this fountain:**

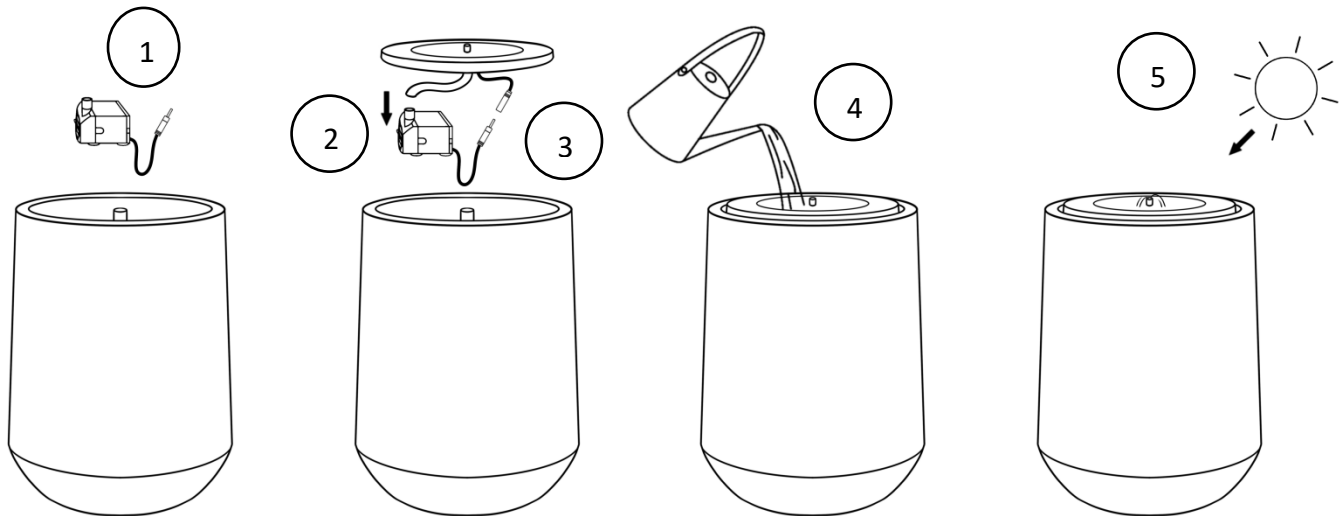
Pump Model No.
PJ2425

**Tools required for assembly:** No tools are required for assembly.

**ASSEMBLY INSTRUCTIONS:**

1. Unpack the box's contents and check to ensure that all items are accounted for and in good condition.
2. Remove the pump from the package.
3. Select a flat, level surface for your fountain's assembly and final location.
4. Place the pump inside the top of the fountain's reservoir ①.
5. Connect the water supply tube ② and solar power connection ③ to the pump.
6. Place the fountain top on the fountain and add clean water into the reservoir ④.
7. Note: the water level should be approximately 30mm lower than the reservoir's edge. Ensure the pump in your fountain is completely submerged in the water. On first use, there may be air in the pump. It may take several minutes until all the air escapes.
8. Allow the solar panel to charge for 6-8 hours in full sun.

<b>Product Name:</b>	Resin Round Bubbler Outdoor Fountain with Lights, Solar Powered
<b>SKU #:</b>	WHF1960



Note: The above diagram is for illustrative purposes only.

### **MAINTENANCE OF YOUR PUMP:**

- Keep the water clean – clean water will prolong the life of your pump.
- Use a pre-filter on your pump if available.
- Regular cleaning of the pump will be necessary depending on the environment in which it is operated. Clean the pump when it is visibly soiled or when a noticeable drop in performance is detected. **Failure to clean the pump will result in overheating of the pump and the voiding of the warranty!**
- Before cleaning, always disconnect the pump from the power source.
- Disassemble the pump by removing the inlet screen & the impeller housing. Remove the impeller/rotor assembly by gently pulling on the impeller blades. Use a soft cloth or brush to clean the area inside the pump where the impeller/rotor assembly was. Clean the inlet screen, impeller housing & impeller in warm soapy water. Reassemble the pump and inspect it for proper operation.

### **MAINTENANCE OF YOUR FOUNTAIN:**

- Unplug the pump from the power source before servicing, cleaning, or moving.
- Keep water clean - using clean water will reduce mineral deposits and improve water clarity.
- Clean the fountain periodically to prevent mineral deposits and contamination. Use warm, soapy water and a stiff brush for heavily stained surfaces. **Do not use harsh chemicals, as this will damage the finished surface and void the warranty.**
- Add clean water periodically to ensure the pump is fully submerged.
- Disconnect the power and empty the basin if the fountain is not used for an extended time.
- If installed outdoors and in a freeze area of the country, ensure that all water is removed and the unit is completely dry. **This product is NOT to be operated below 41°F (5°C). Freeze damage may occur.**

<b>Product Name:</b>	Resin Round Bubbler Outdoor Fountain with Lights, Solar Powered
<b>SKU #:</b>	WHF1960



### **Special Warnings and Cautions:**

#### **CAUTION:**

- The pump has been evaluated for use with water only.
- Do not use the pump in water exceeding 35°C / 95°F.
- Do not use the pump in flammable liquids.
- Do not use the pump for industrial purposes.
- Do not use the pump in vehicles or on ships, aircraft, or swimming pools.
- Do not use the pump in a location where special conditions prevail, such as the presence of a corrosive or explosive atmosphere (dust, vapor, or gas).
- Do not let the pump run dry. The pump must be completely submerged for proper operation and cooling.
- Do not use the power cord to lift the pump.
- Keep the plug dry. Do not expose the plug to water or steam.
- Before connecting to the power source, ensure the pump is assembled and completely submerged in water.
- Check the water level regularly to ensure the pump is completely submerged during operation. The pump should be fully submerged during operation. Do not add water while operating the product. Always disconnect the pump from the power source before adding water.

#### **WARNINGS:**

- Always disconnect the pump from the power source prior to beginning any maintenance or work on the pump or fountain.
- Inspect the power cord for damage before installation and/or maintenance. Replace the entire pump if damage is found.

#### **TIPS AND TROUBLESHOOTING:**

1. If the pump is not operating, clean the solar panel and check the connections to the pump. Allow the solar panel to charge in full sun for 6-8 hours.
2. If the pump operates but there is no flow, check to ensure the pump is fully submerged.
3. If the pump operates without flow, check the supply tubing for kinks and correct it.



#### **WARNING:**

1. Do not dispose of batteries in the regular trash, municipal waste stream or by fire as batteries may leak or explode. Do not open, short circuit, or mutilate batteries as injury may occur. Preserve our environment by recycling batteries or disposing of them in accordance with Local, State, and Federal regulations.
2. Battery type: Lithium-ion Battery ICR18650; 3.7V/2000mAH