

ASSEMBLY INSTRUCTIONS

Before assembling your headboard, please read through these instructions carefully and familiarize yourself with the different parts.

PARTS LIST

- 1 HEADBOARD PANEL 1 PC
- 2 LEFT LEG 1 PC
- 3 RIGHT LEG 1 PC

Instructions apply for bed sizes
TWIN > FULL > QUEEN

HARDWARE

- A Wooden dowel - 4 pcs
Spare - 1 pc
 - B JCB M6 X 35mm (1 3/8") - 4 pcs
Spare - 1 pc
 - C JCB M8 X 15mm (5/8") - 4 pcs
 - G Allen wrench - 1pc
Spare - 1pc
- Assembly headboard to open bed frame*

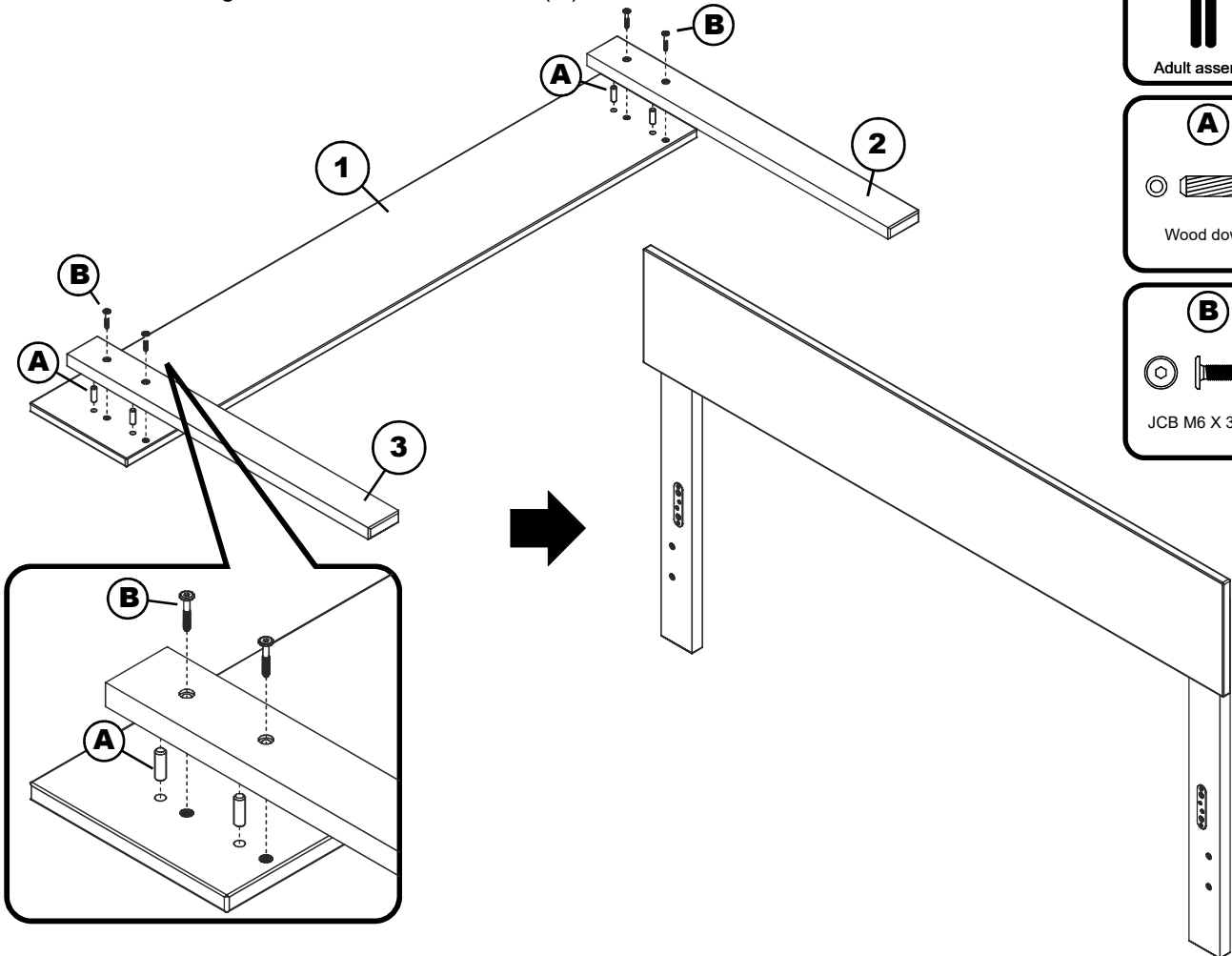
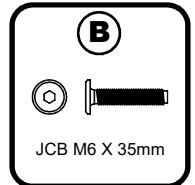
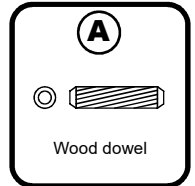
HARDWARE FOR METAL BED FRAME

- D JCB M6 X 25mm (1") - 4 pcs
Spare - 1 pc
- E Flat washer - 4 pcs
Spare - 1 pc
- F Split washer - 4 pcs
Spare - 1 pc

NOTE: WE INCLUDE SPARE HARDWARE IN CASE DAMAGE OCCURS DURING ASSEMBLY.

Step 1

Attach the left leg (2) and right leg (3) to headboard panel (1), using wooden dowels (A) and JCB M6 X 35mm (B). Tighten with the Allen wrench (G).



FOR BED FRAME ASSEMBLY follow assembly instructions included with your bed frame.
If you purchased a wood headboard to attach to metal bed frame, please refer to page 2.

ASSEMBLY INSTRUCTIONS

Before assembling your bed, please read through these instructions carefully and familiarize yourself with the different parts.

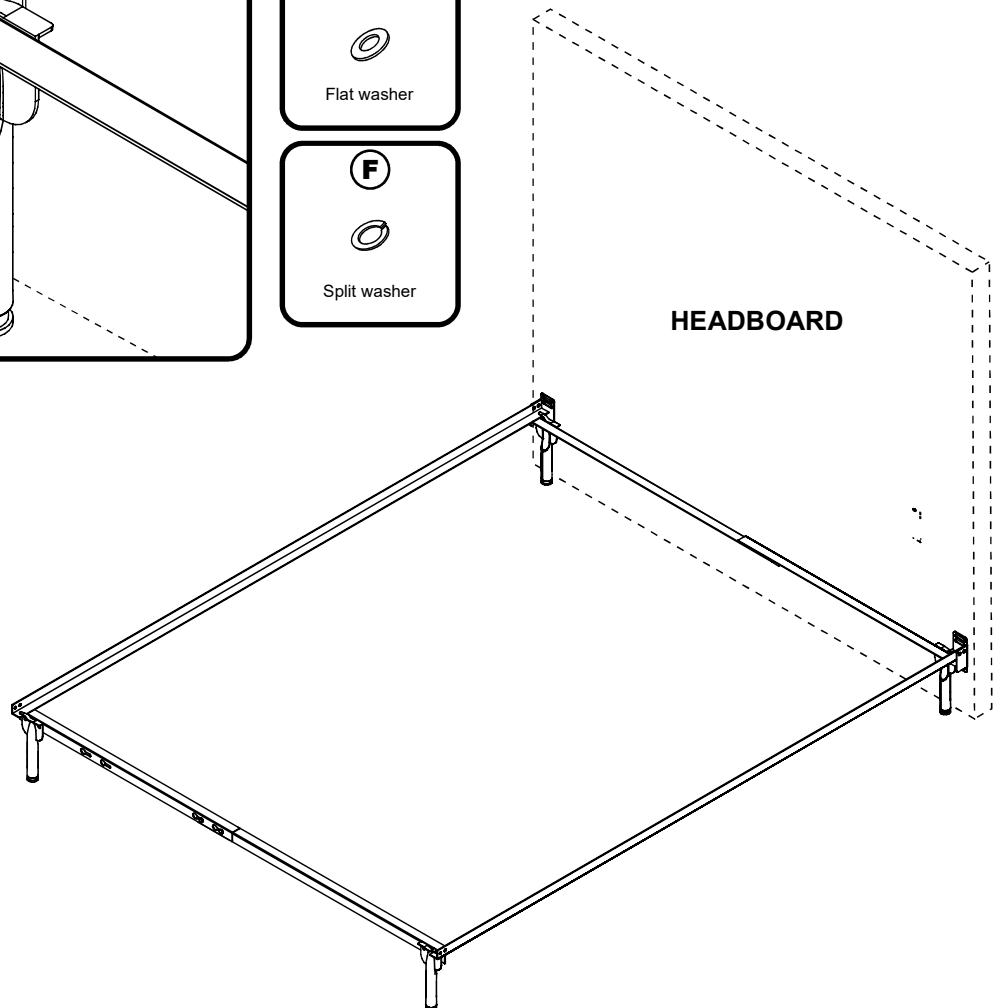
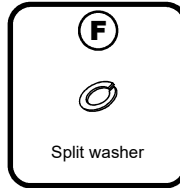
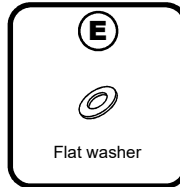
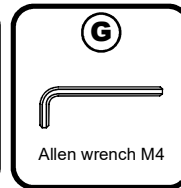
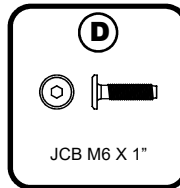
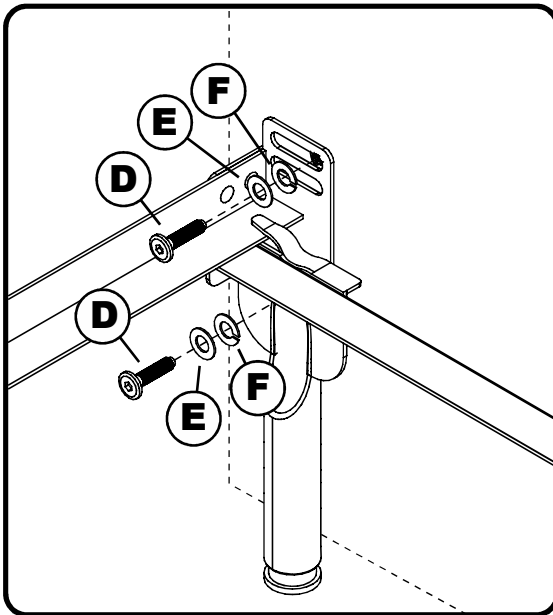
Instructions apply for bed sizes
Twin > Full > Queen



Metal bed frames are sold separately from wood headboards. The hardware shown on this page is supplied with your Atlantic wood headboard for attaching the bed frame to the headboard. The metal bed frame is supplied with its own assembly instructions and hardware.

Step 1

Attach the headboard assembly to the metal frame using JCB (D), flat washer (E), and split washer (F) then tighten with Allen wrench (G), as shown below.



Congratulations!

Your bed is now ready for use.

To ensure lasting safety, we recommend that you periodically check that all screws are tight and all parts are secure.