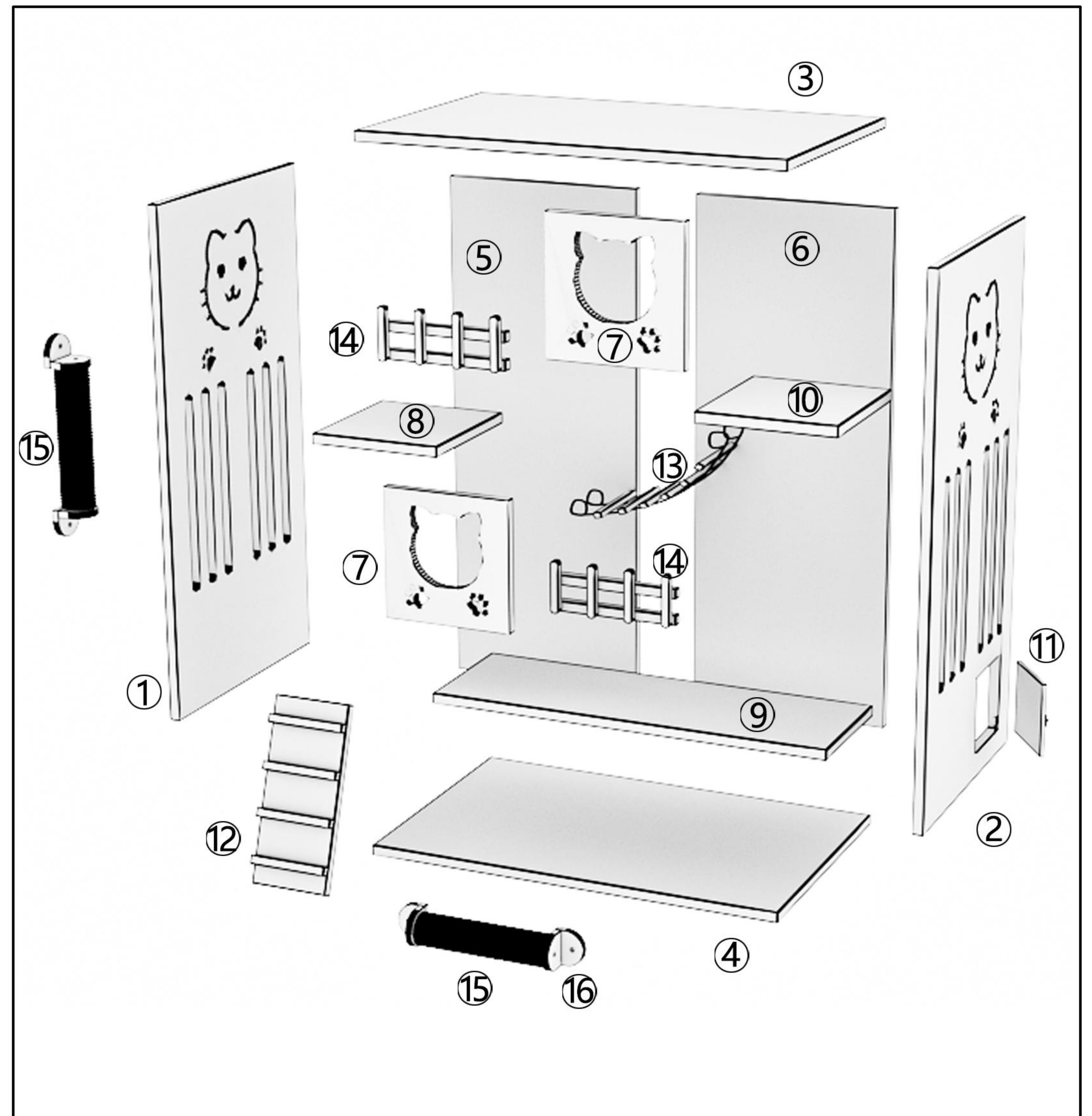
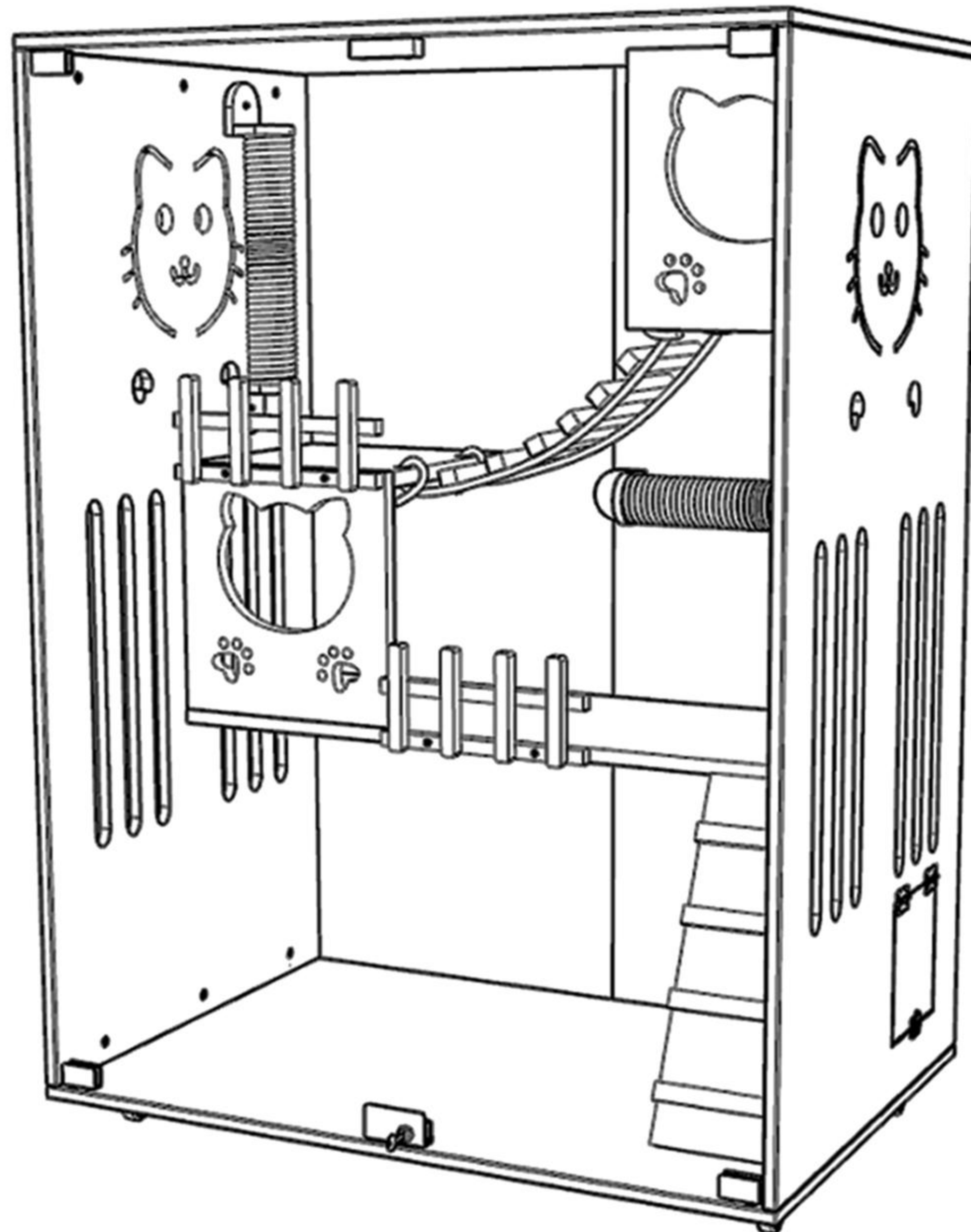


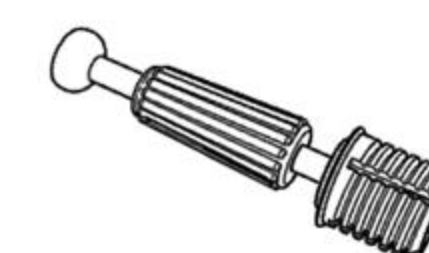

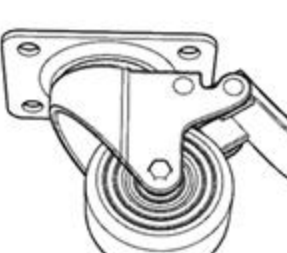
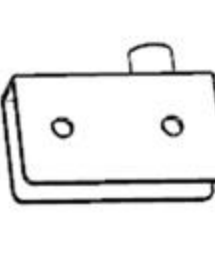
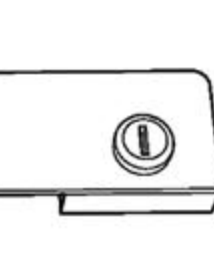

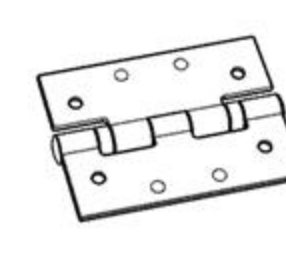
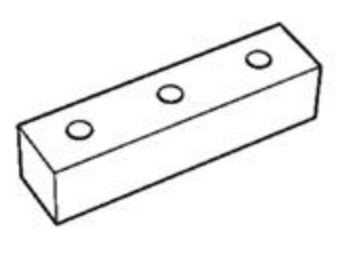
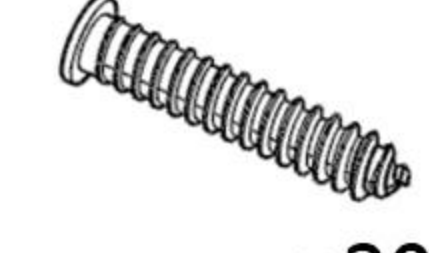


# ASSEMBLY INSTRUCTION

It would be best if you set aside and organize all pieces & corresponding {nuts/bolts} fist  
 Please follow the instructions to assemble the items correctly.  
 Could be assembled by one person, but would recommend two.  
 Please ensure the safety of the glass when assembling.  
 Do not make the screws too loose or too tight.  
 As shown in figure, insert the screw into the hole.  
 The arrow in the picture, Then rotate 90 or 180 clockwise.  
 The remaining parts are spare parts.

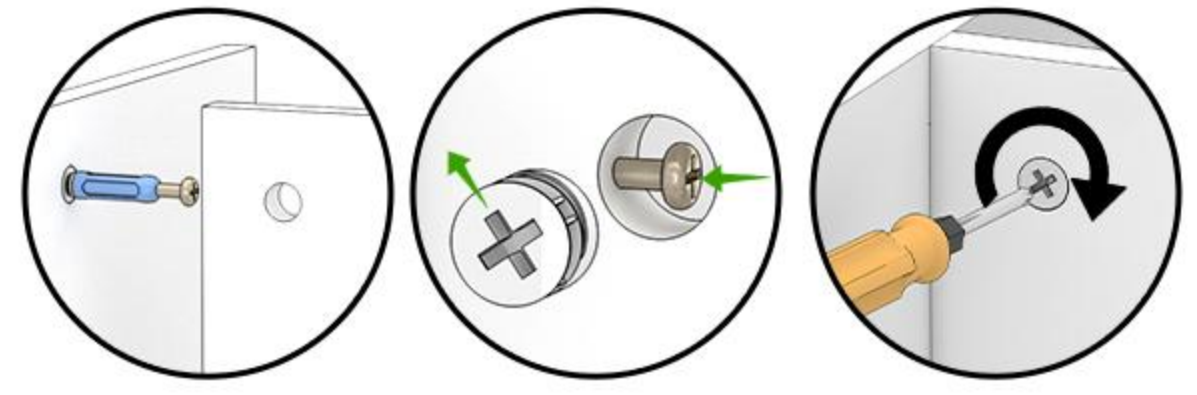
## SAFETY INFORMATION

The accessory bag contains some small accessories, which should be kept away from children.  
 Kids are not allowed to climb or play with product for safety reasons

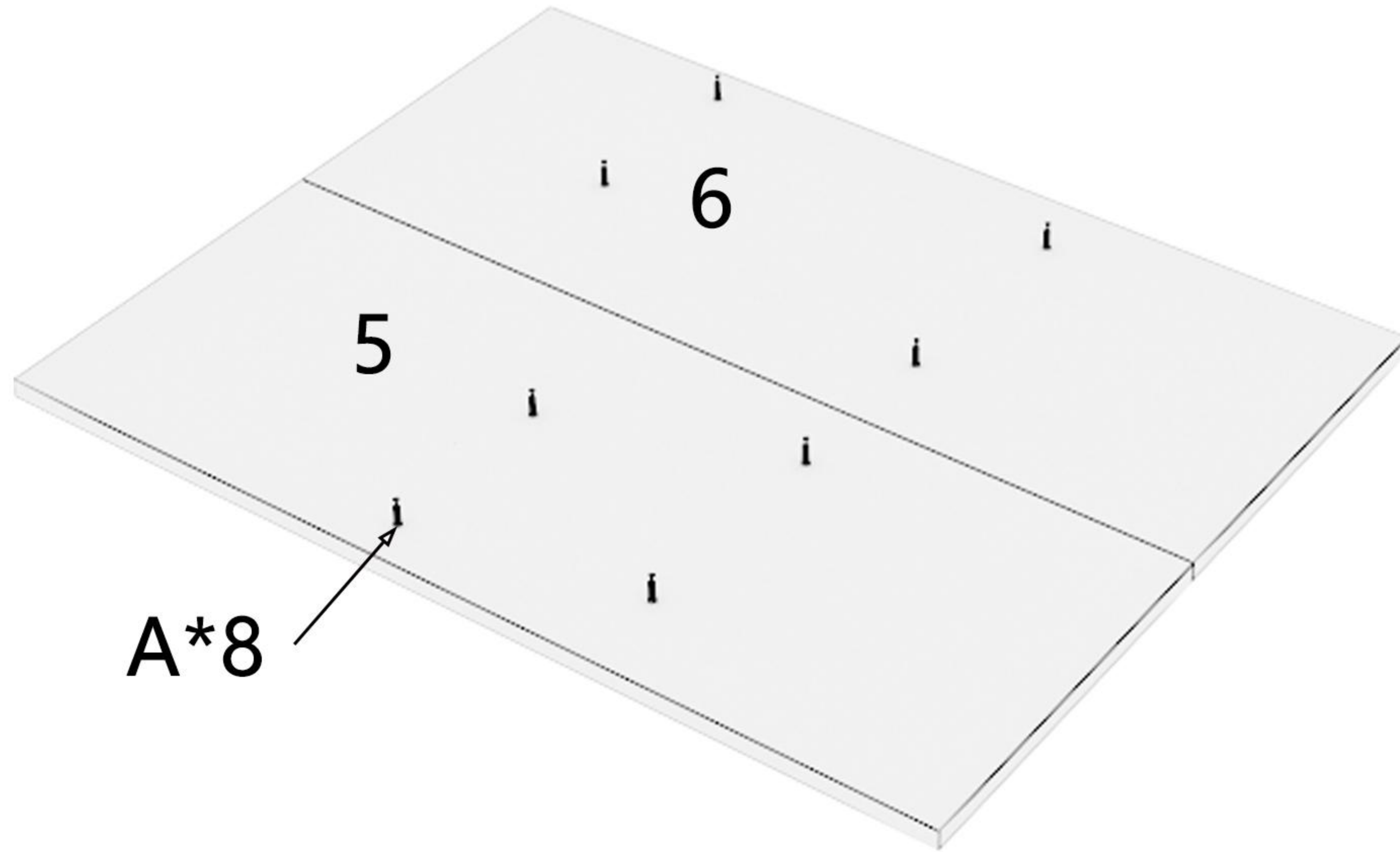
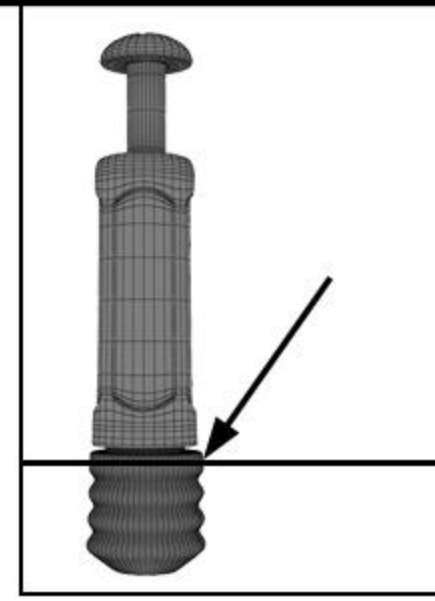


<p>A</p>  <p>x58</p>	<p>B</p>  <p>x58</p>	<p>C</p>  <p>x4</p>	<p>D</p>  <p>x4</p>	<p>E</p>  <p>x1</p>	<p>F</p>  <p>x1</p>	<p>G</p>  <p>x4</p>	<p>H</p>  <p>x2</p>
<p>J</p>  <p>x20</p>	<p>K</p>  <p>x20</p>	<p>L</p>  <p>x1</p>					

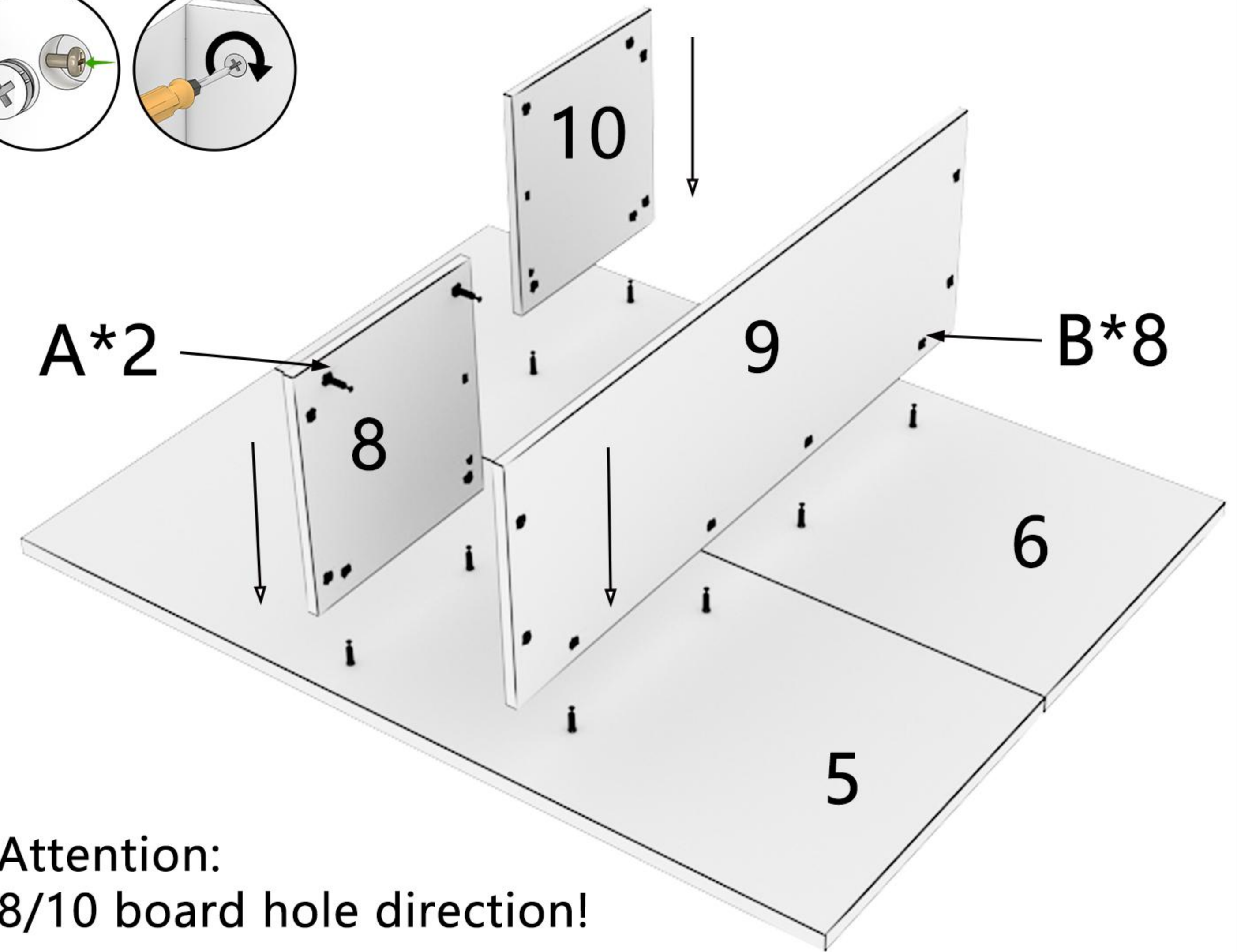
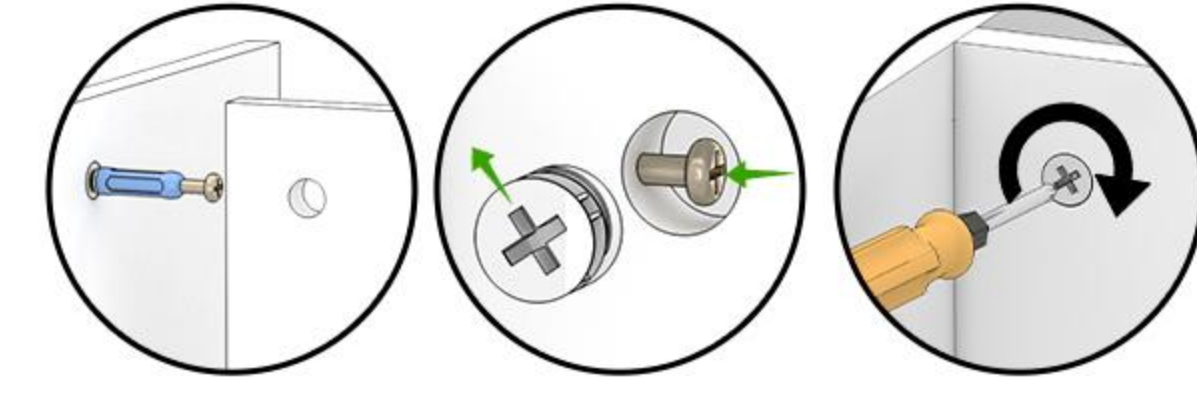
### STEP 1



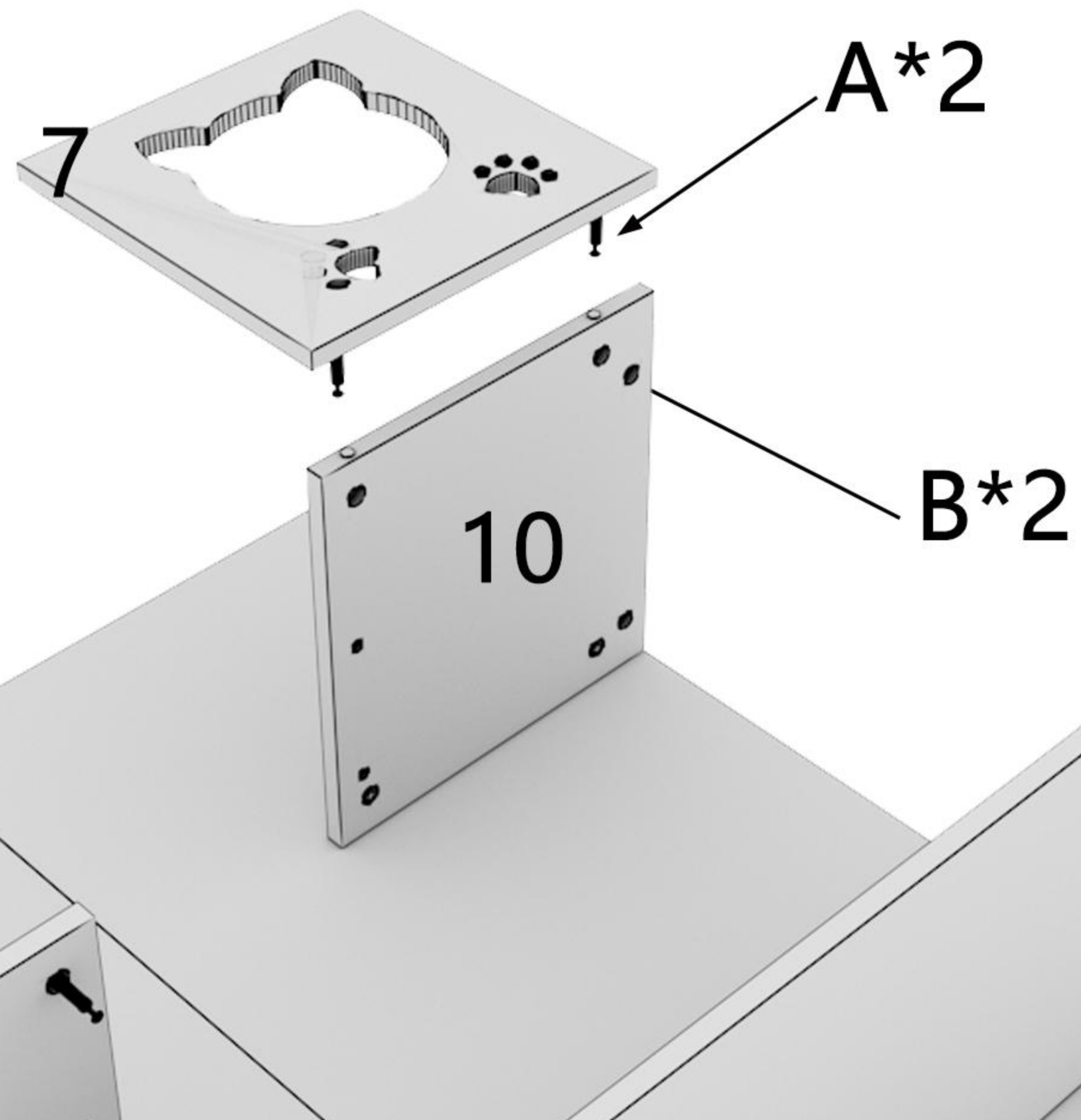
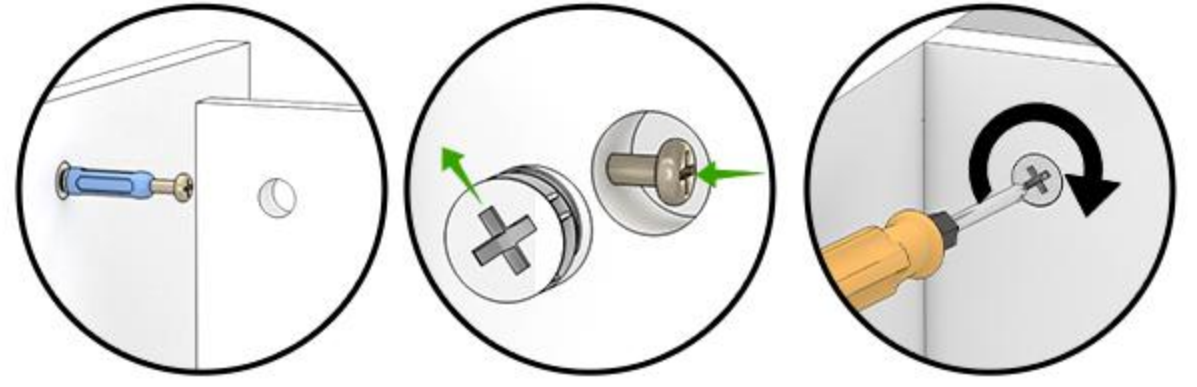
Attention:  
There is no need to connect  
the two boards!



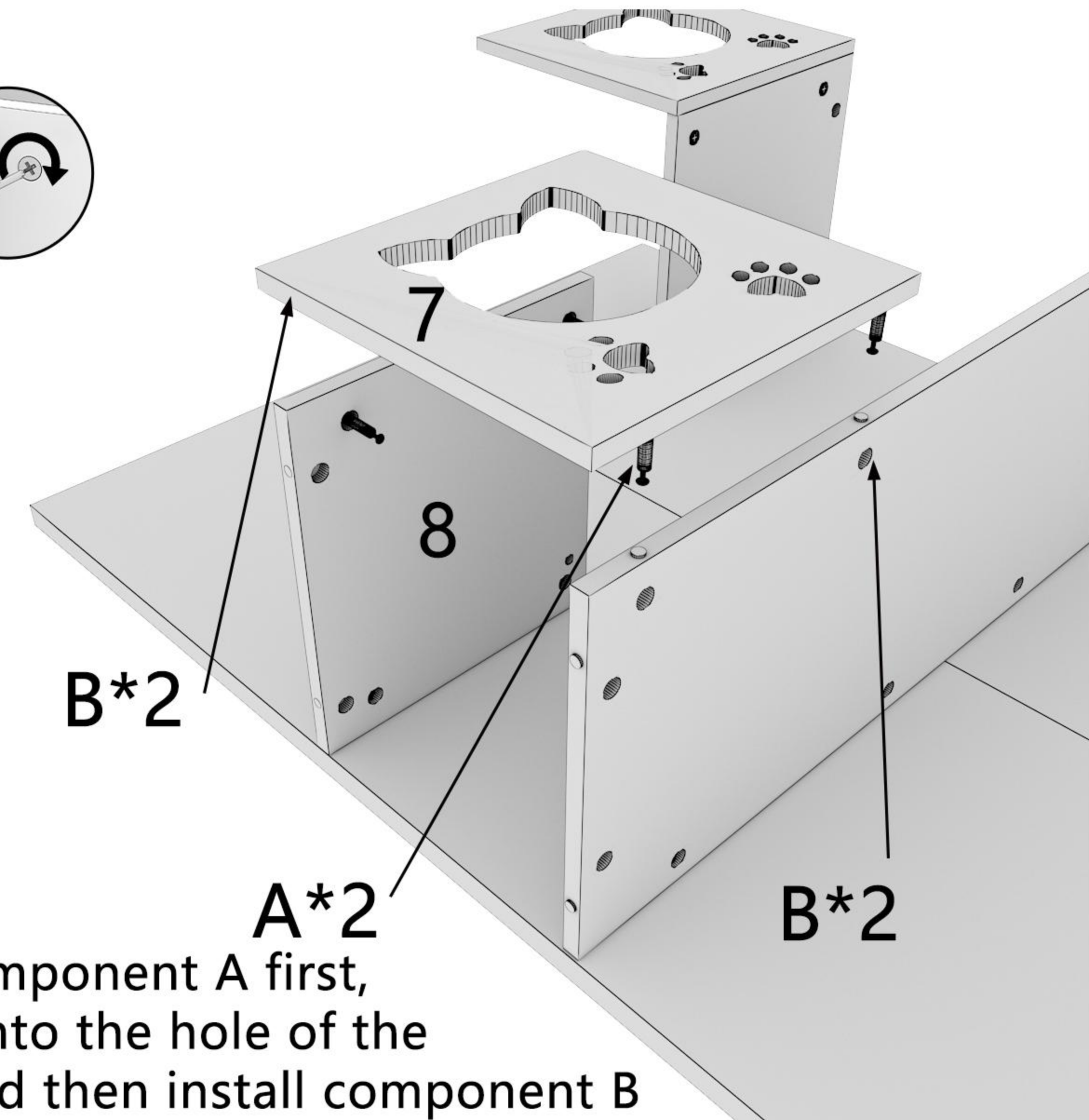
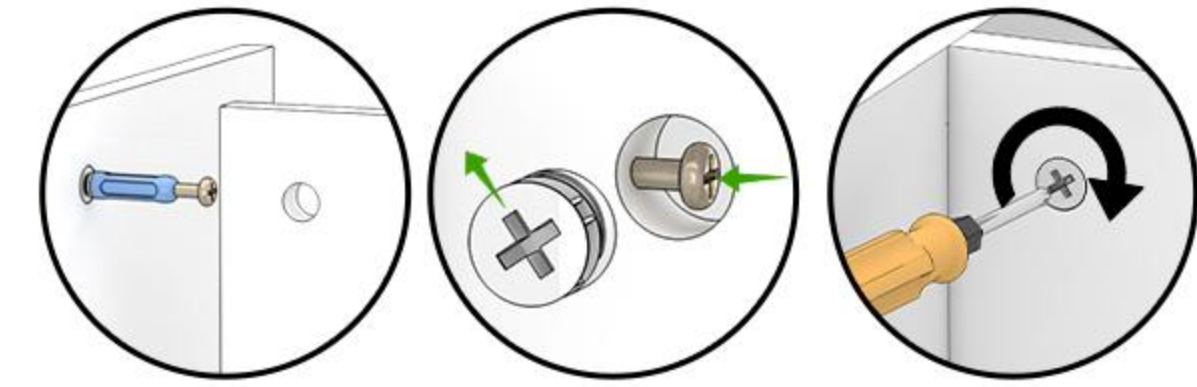
### STEP 2



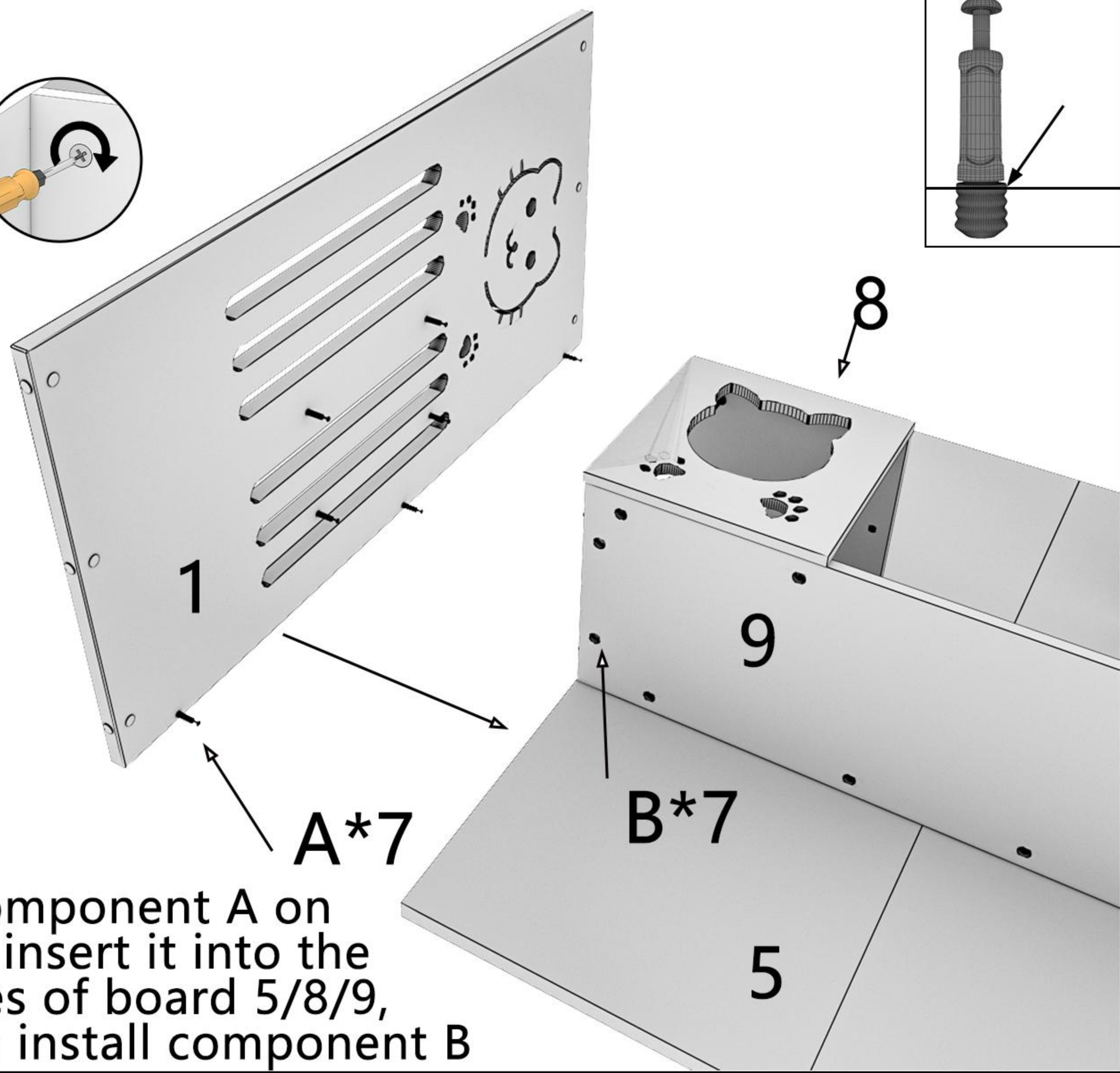
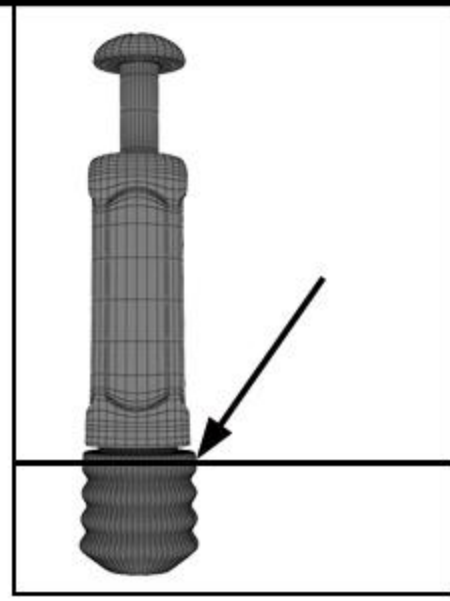
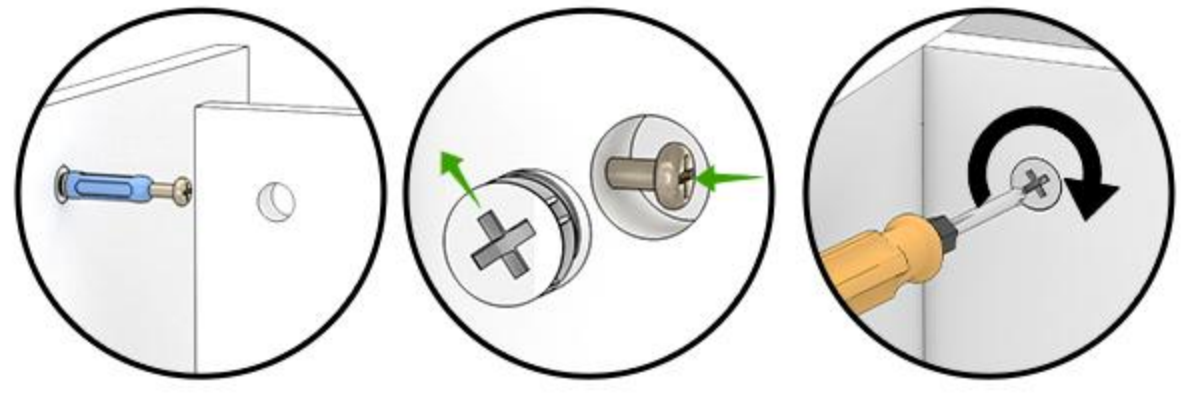
### STEP 3



### STEP 4

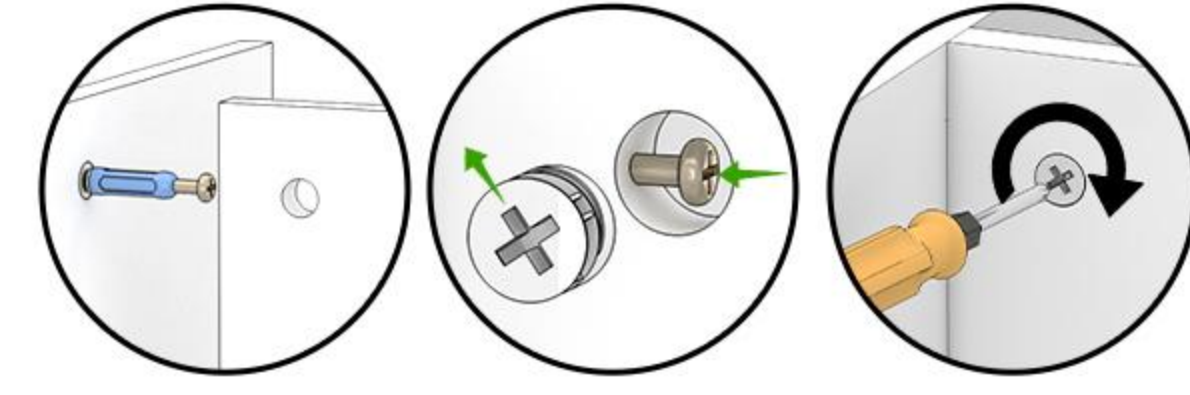


### STEP 5

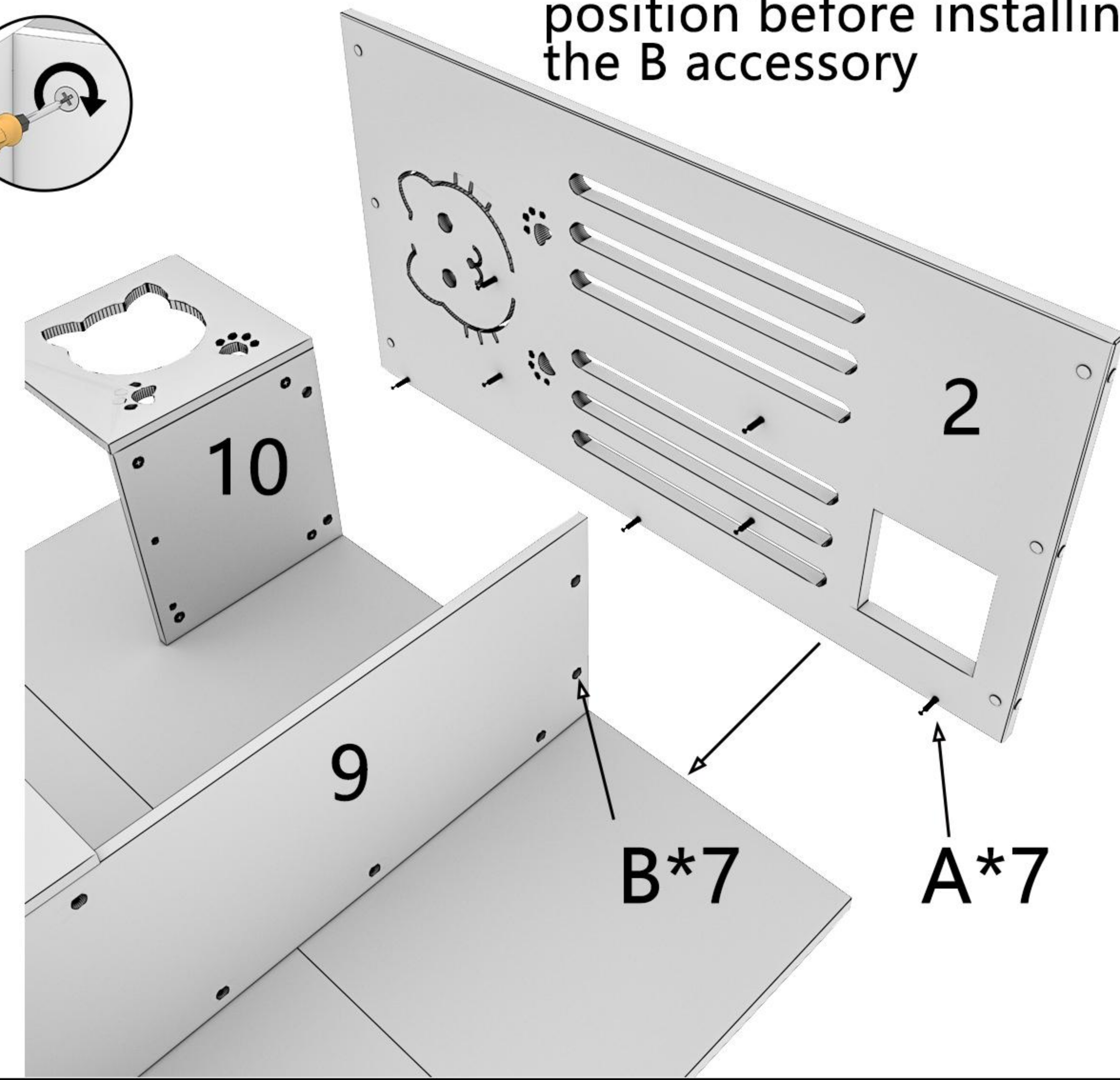


Install component A on board 1, insert it into the side holes of board 5/8/9, and then install component B

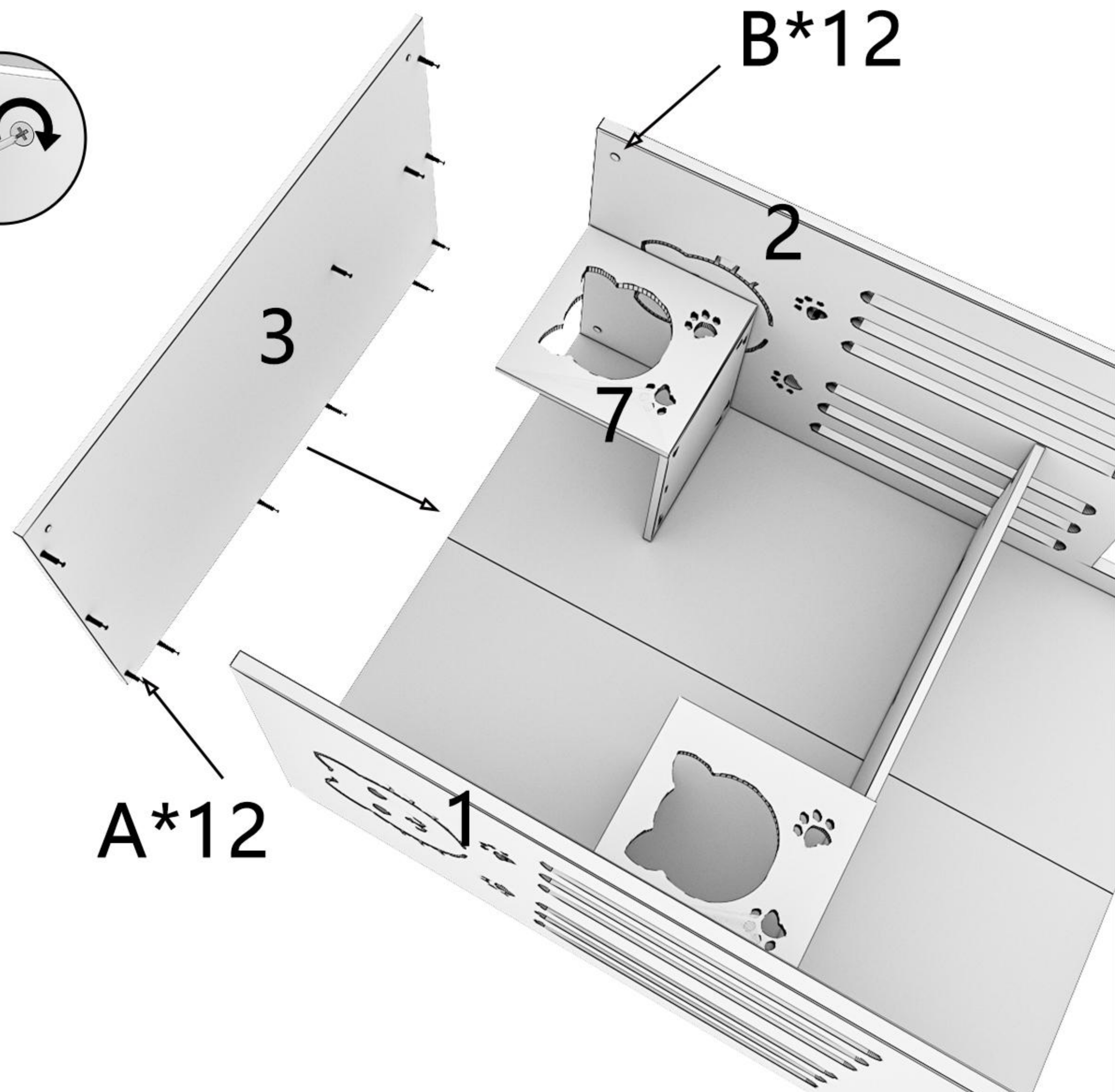
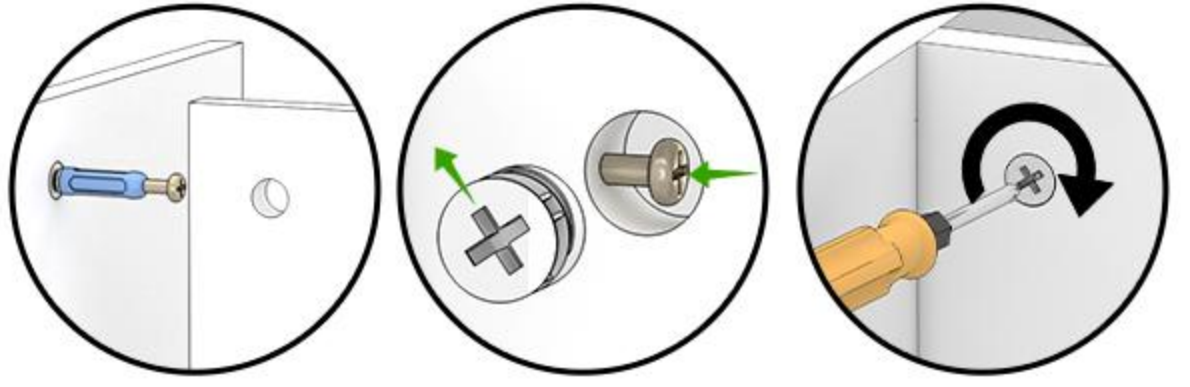
### STEP 6



First, align the hole position before installing the B accessory

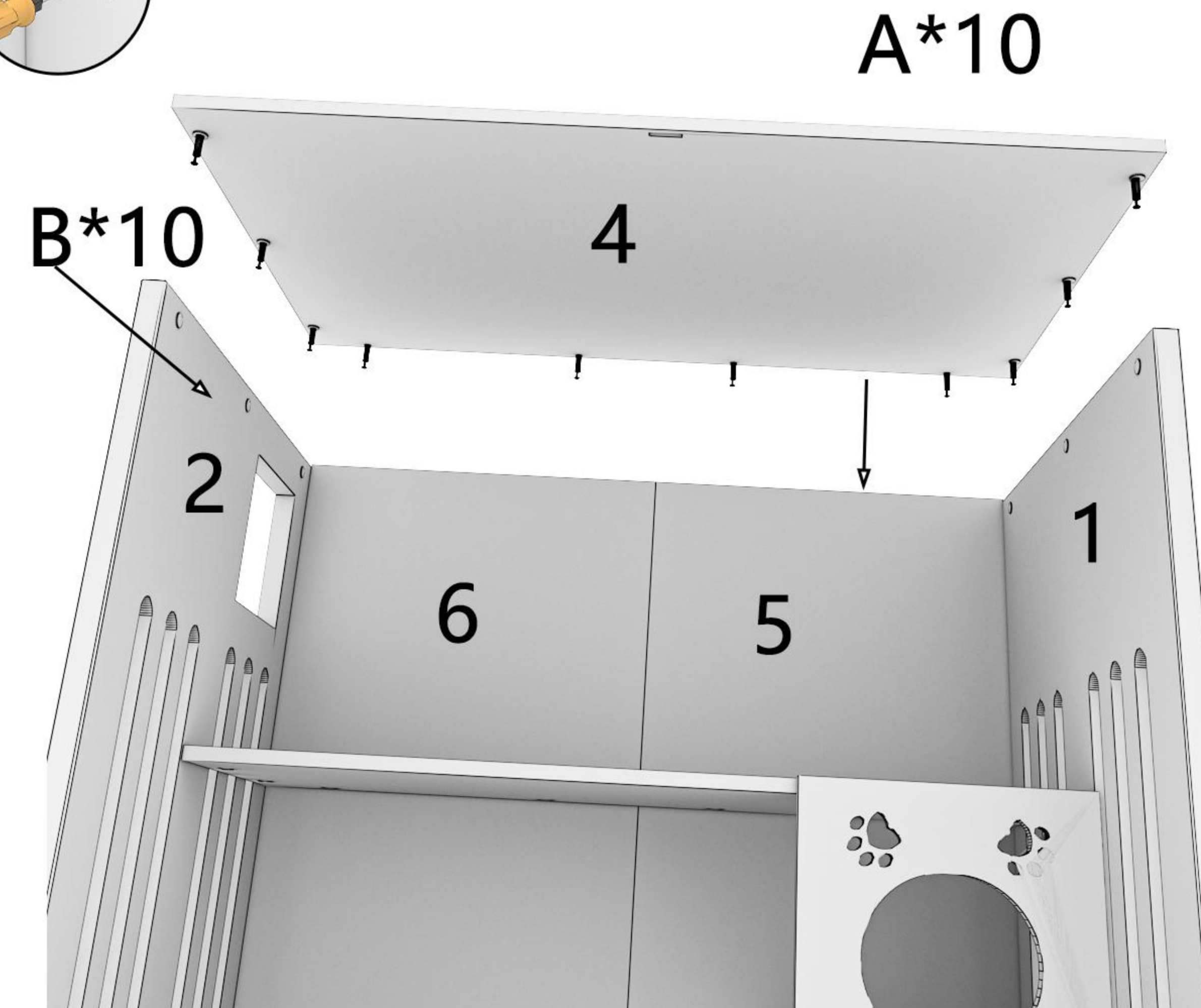
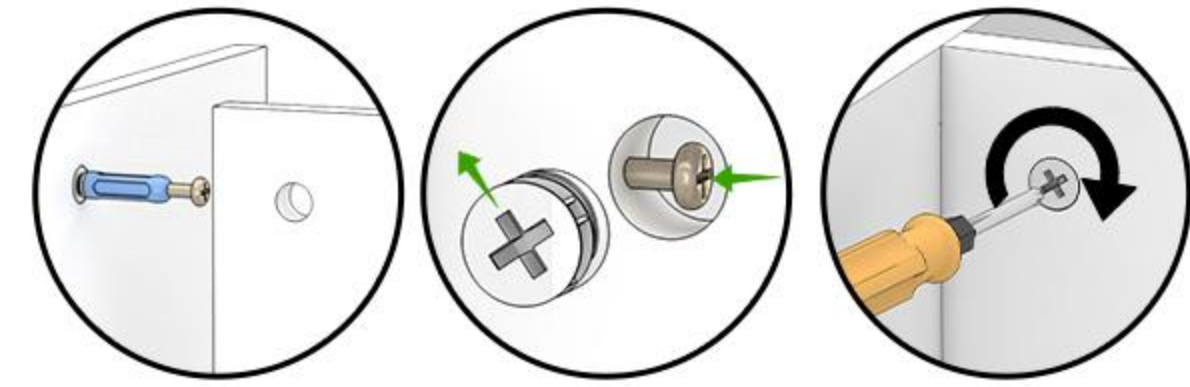


### STEP 7



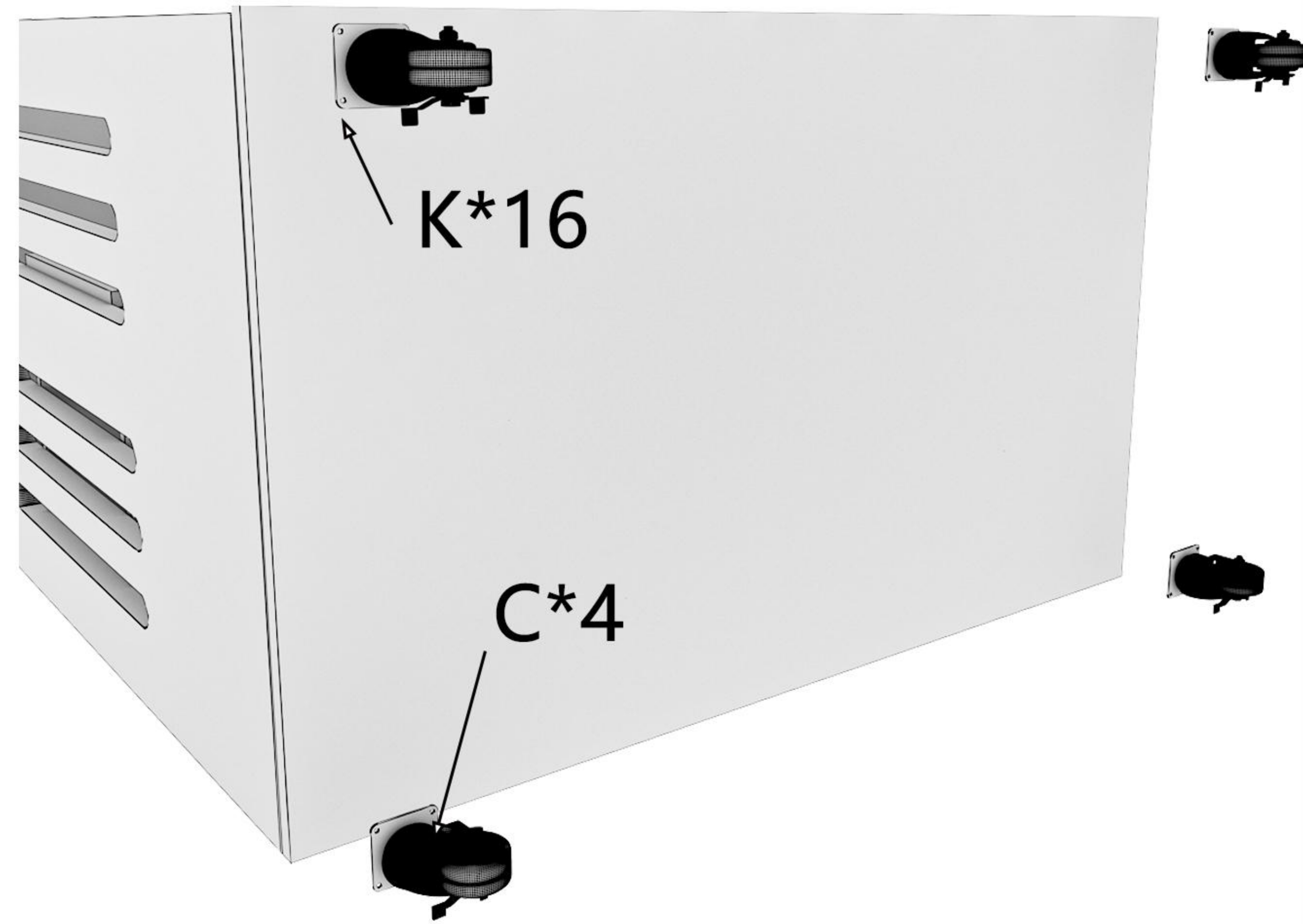
### STEP 8

The holes for inserting A accessories need to be installed with B

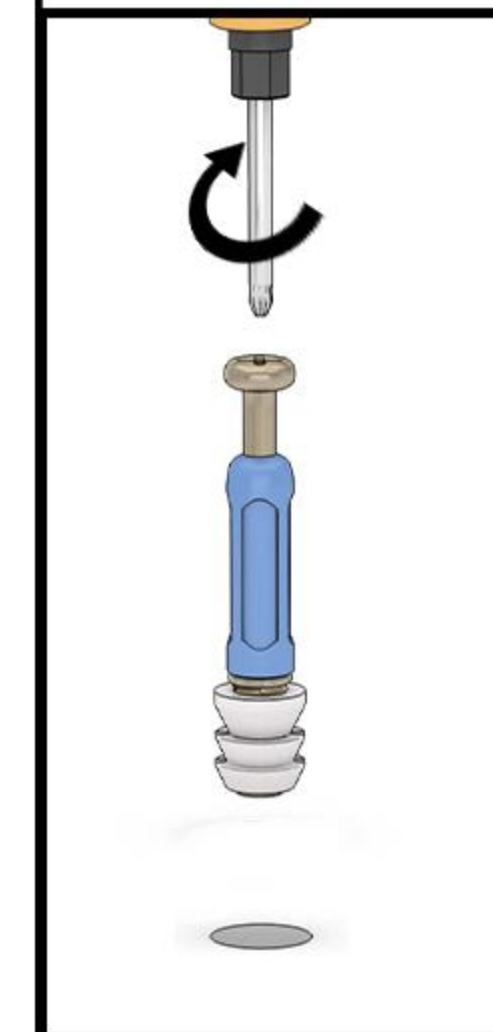
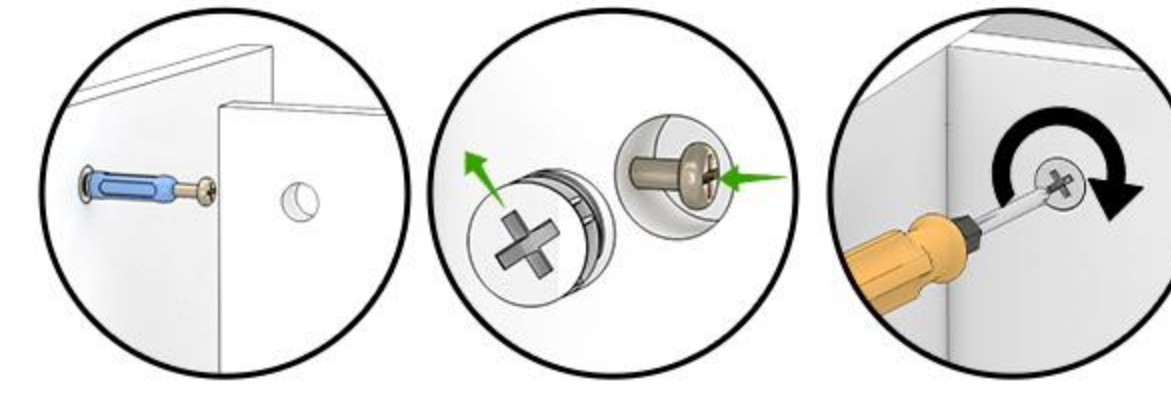


### STEP 9

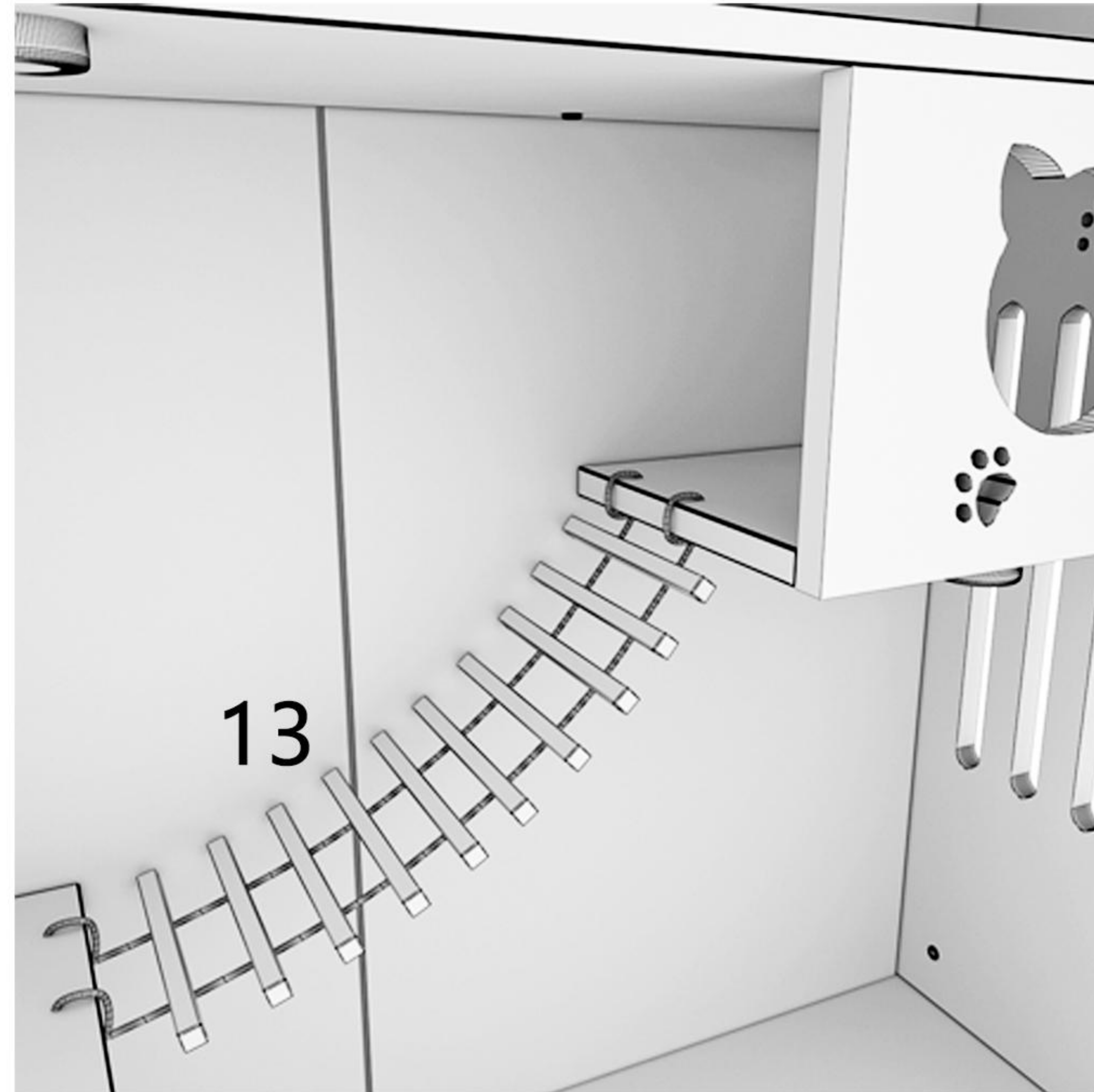
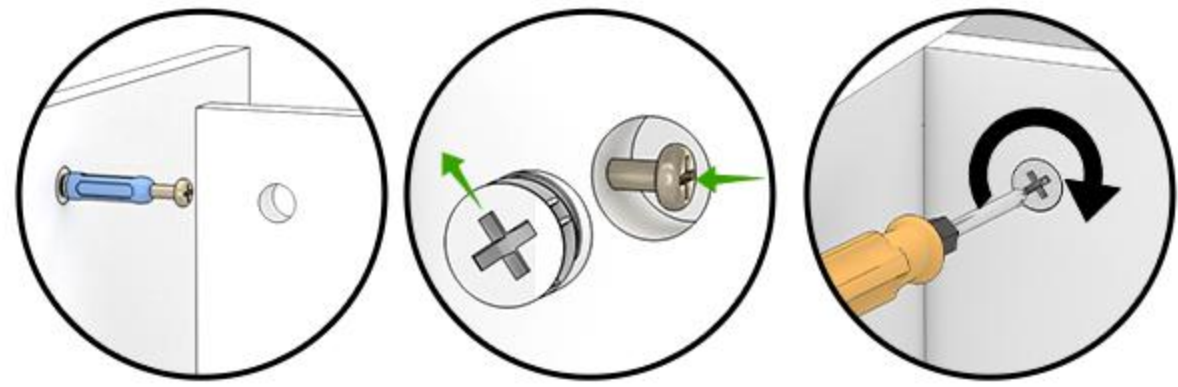
This step selects the installation according to the requirements



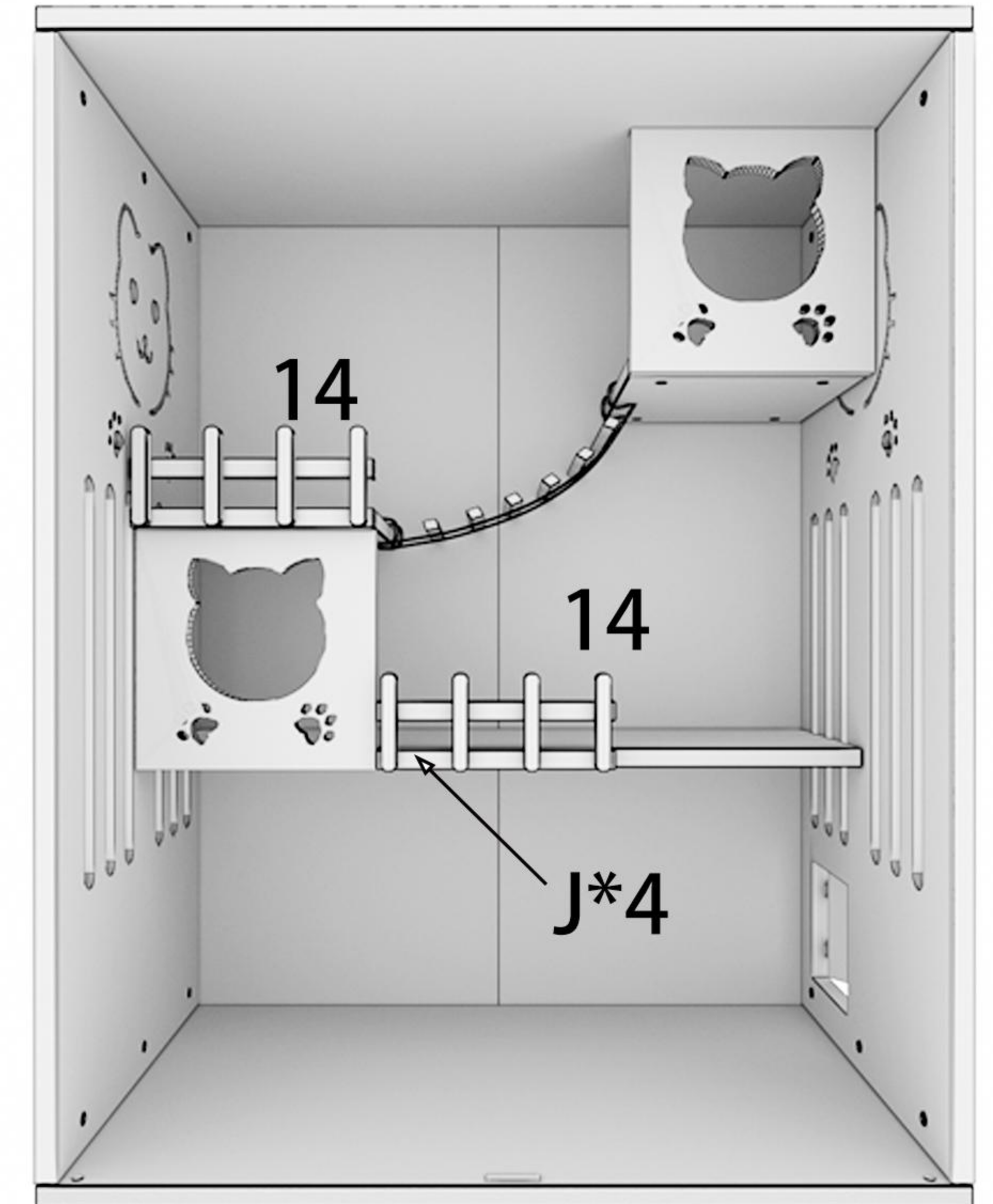
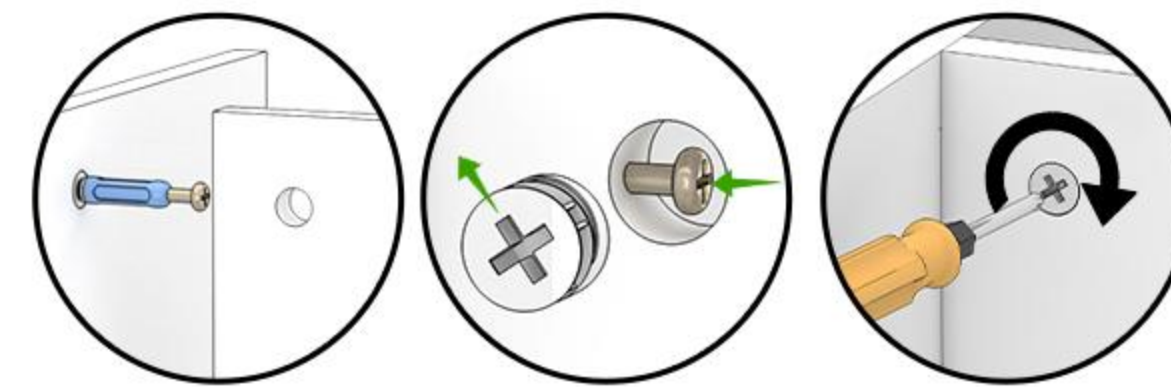
### STEP 10



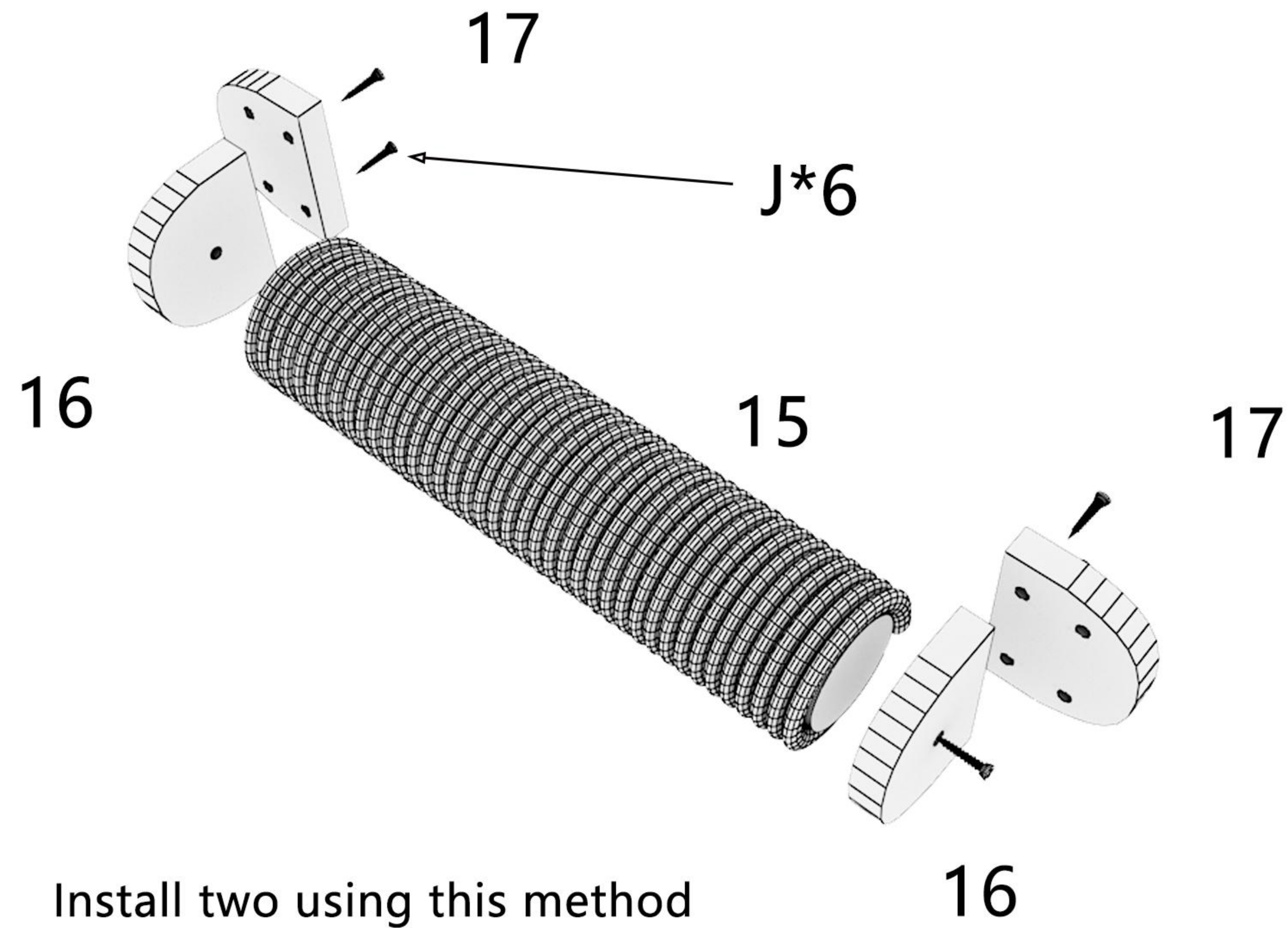
### STEP 11



### STEP 12

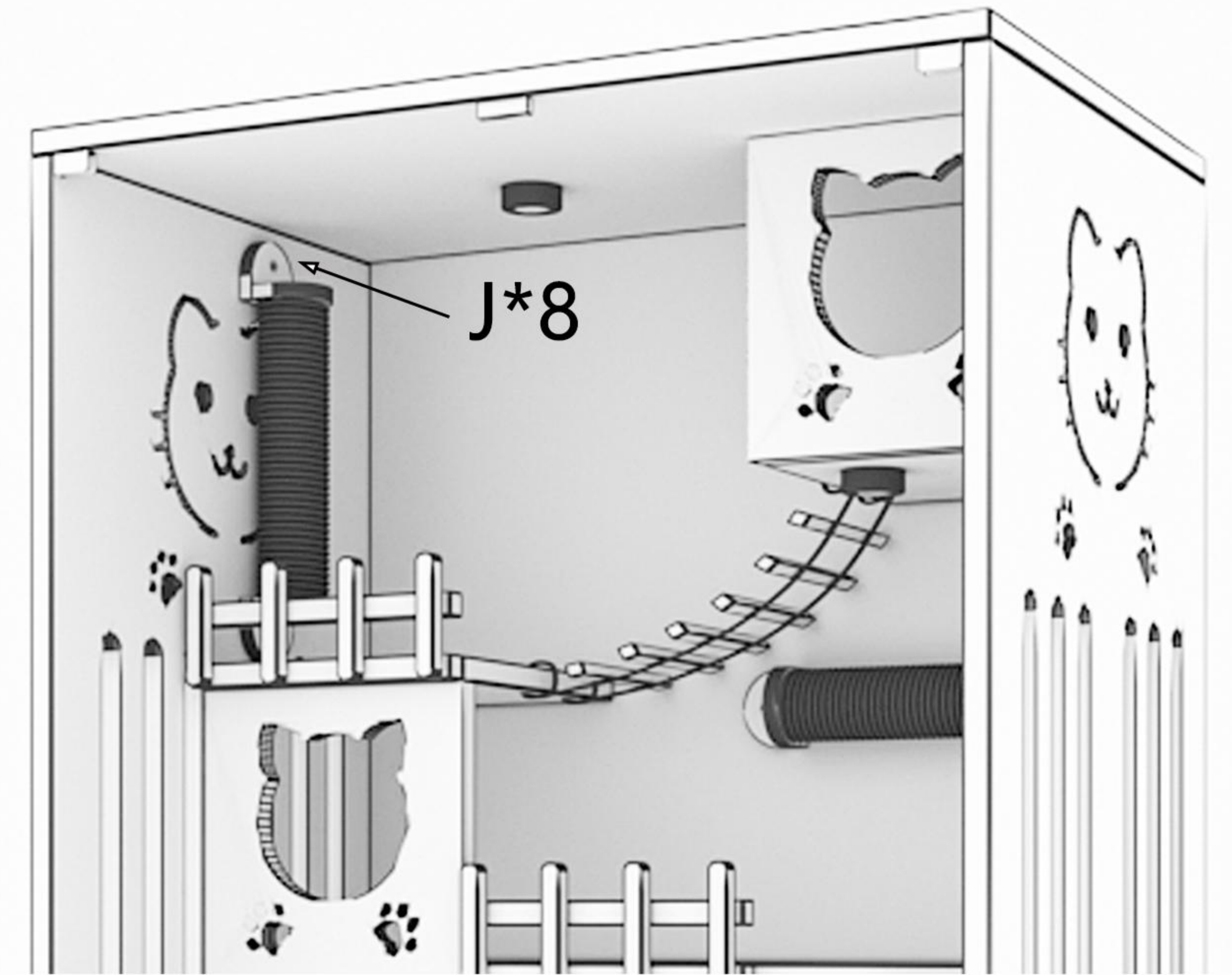


### STEP 13

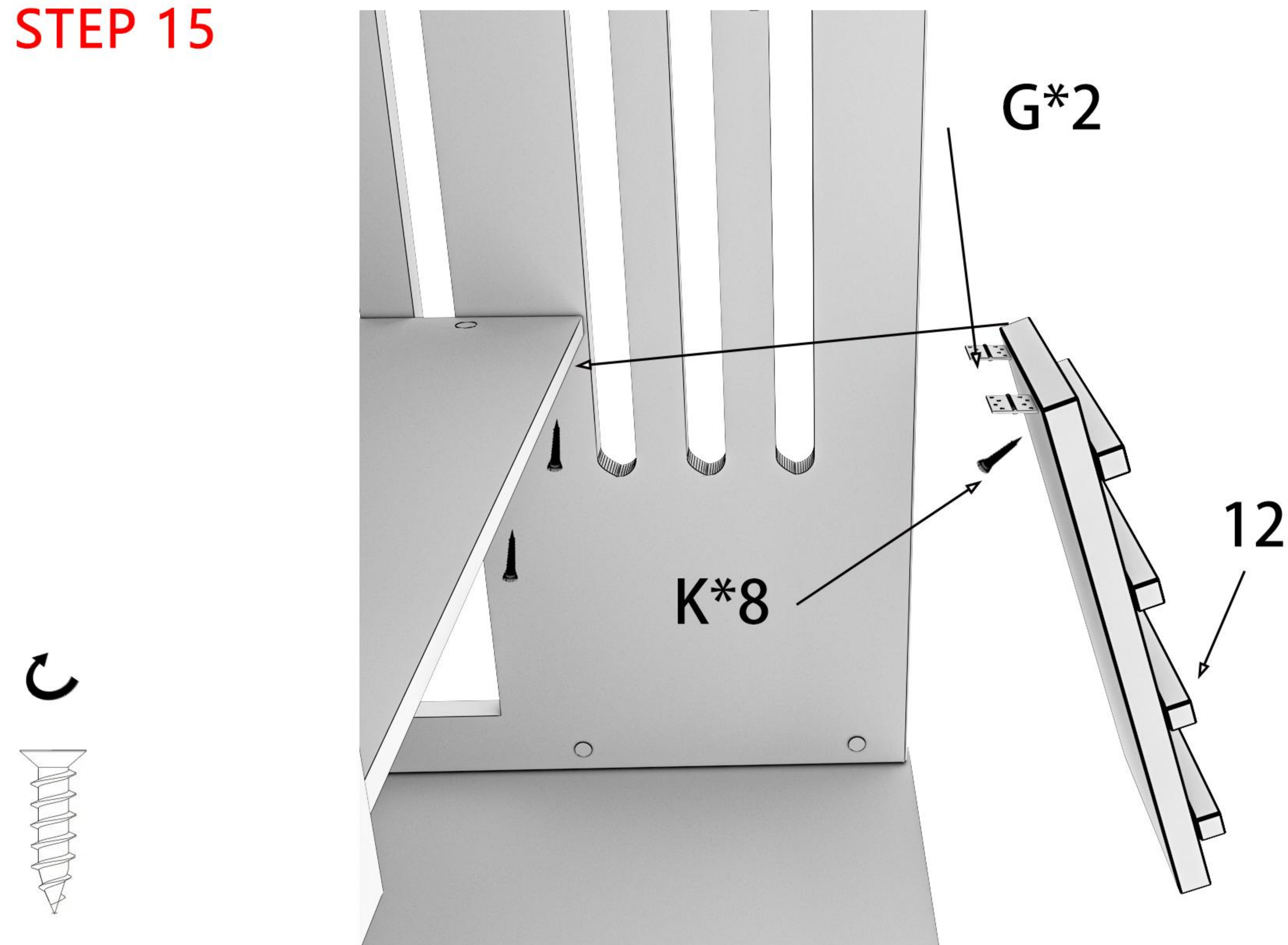


### STEP 14

You can freely choose the installation location

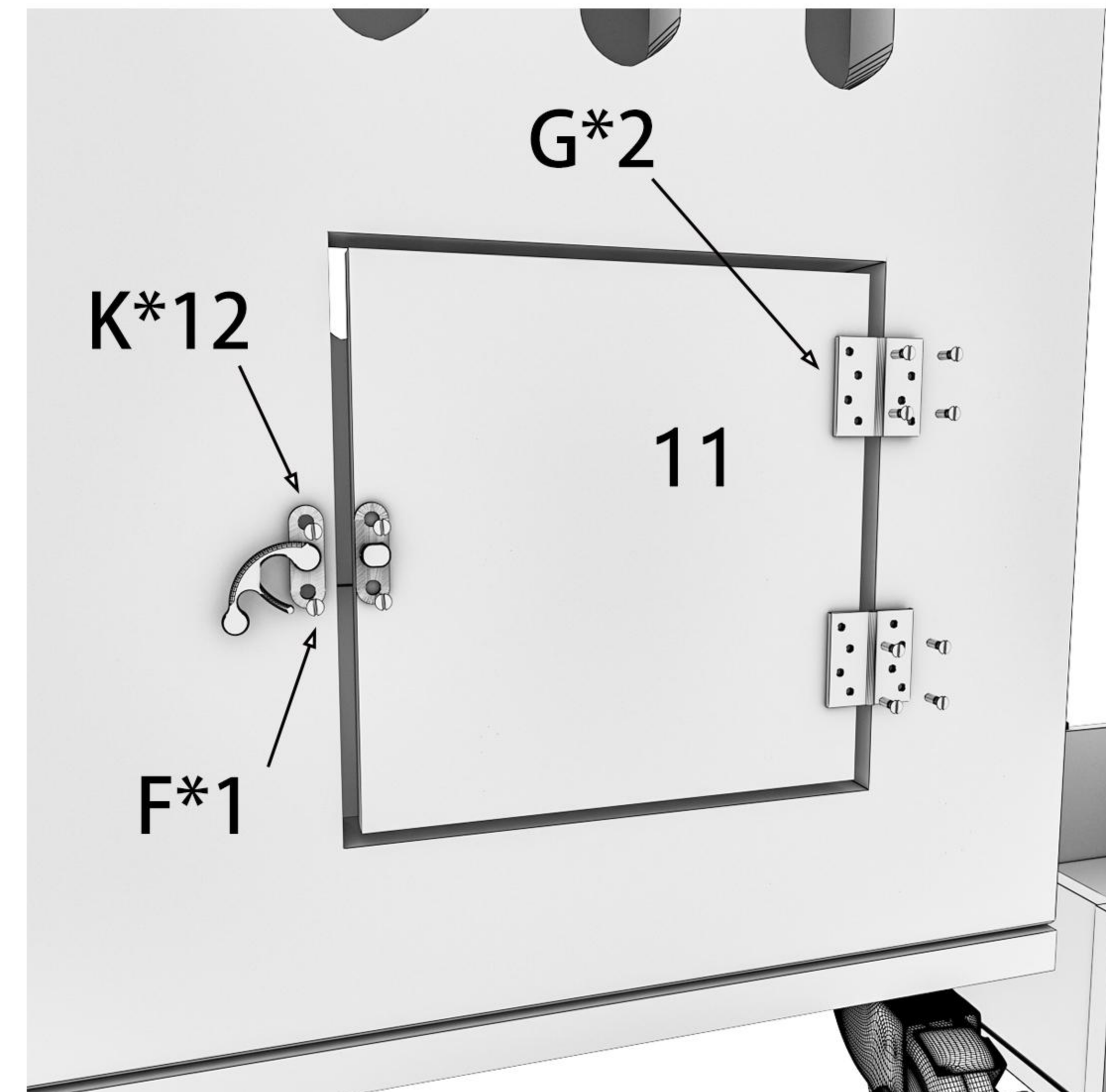


### STEP 15



### STEP 16

G accessories can be installed on the side or below

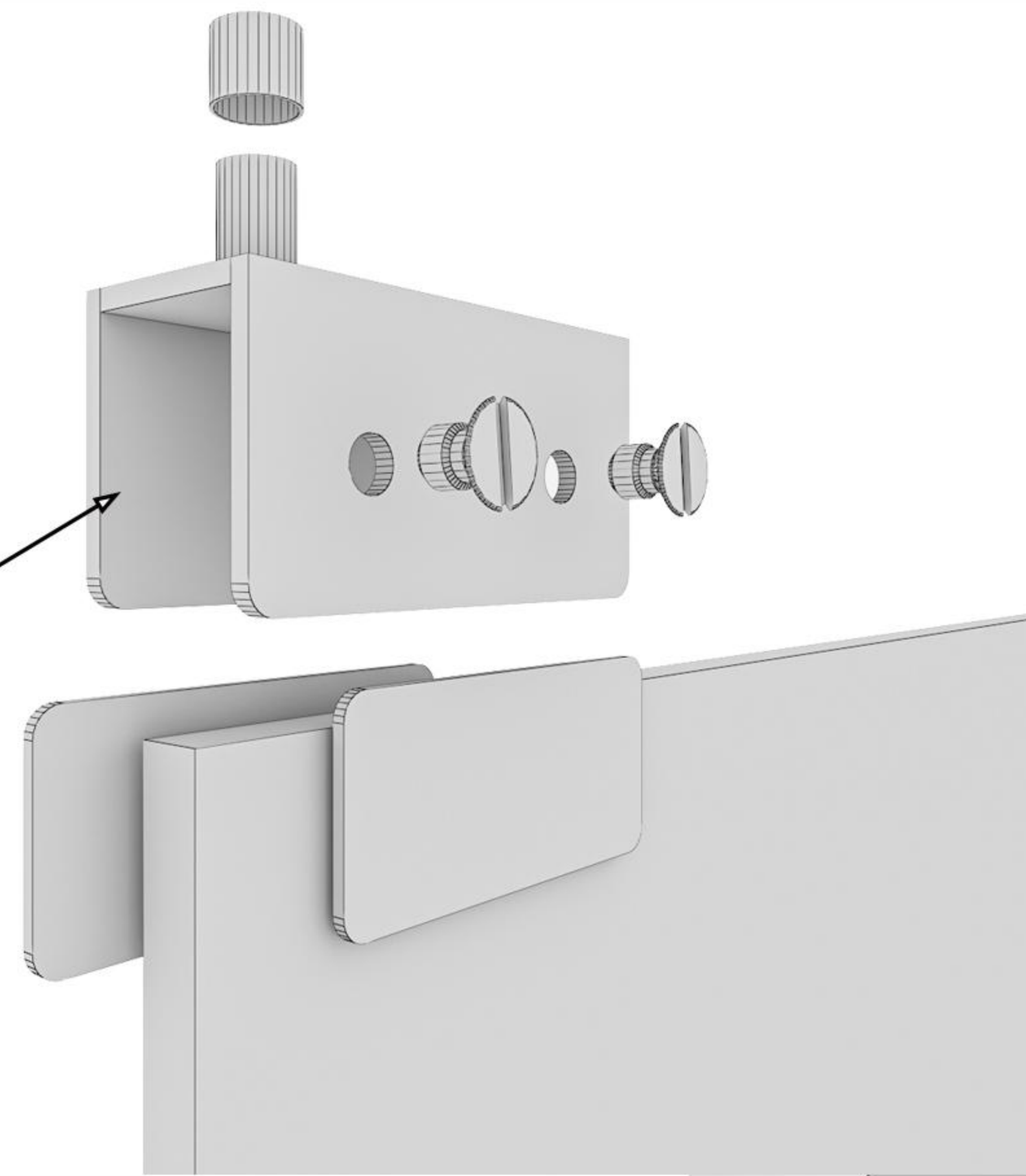


## STEP 17

D accessories need to be installed on both the top and bottom positions of the glass

D\*4

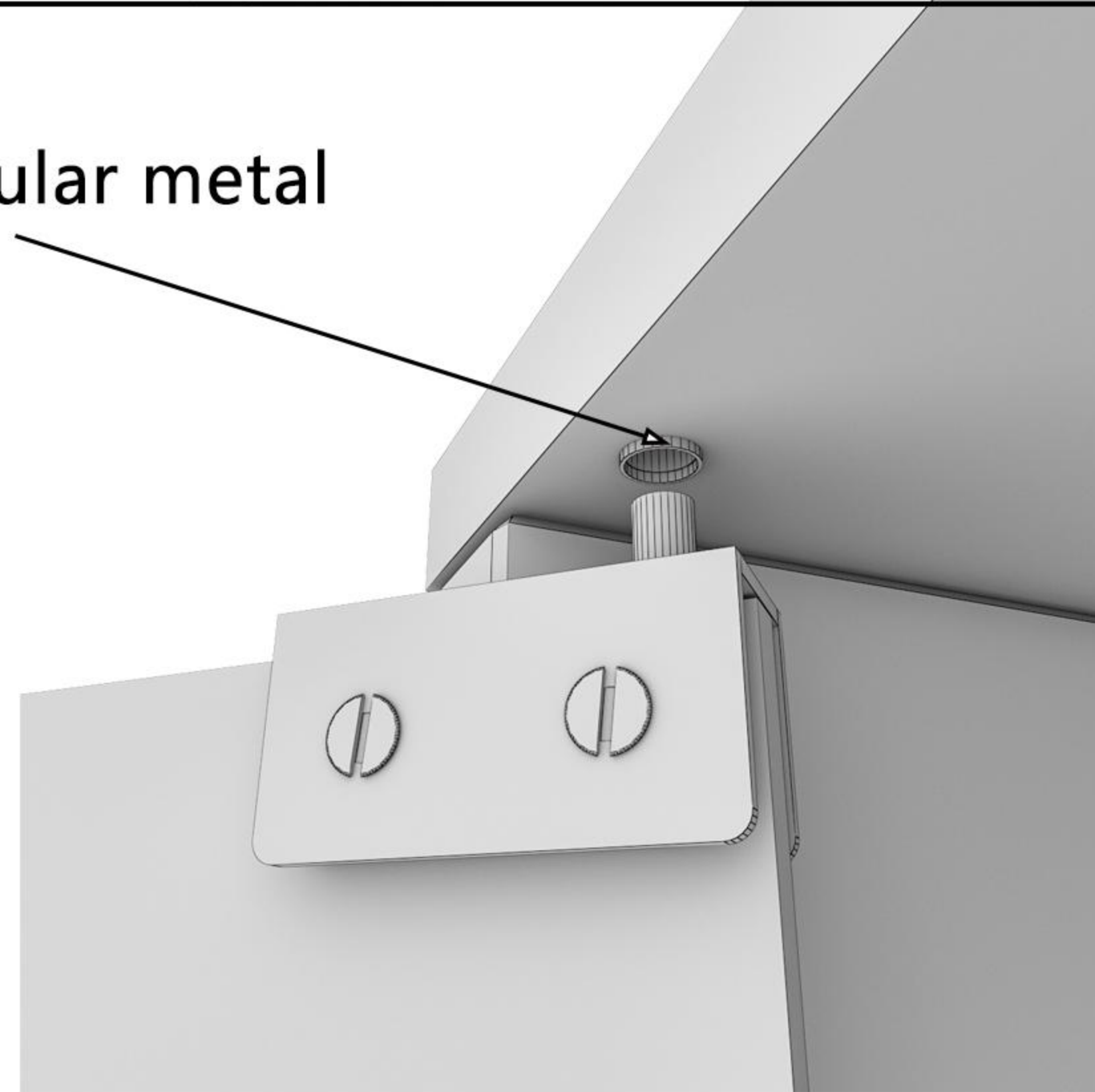
The two plastic sheets inside the accessory must be installed on both sides of the glass,



## STEP 18

Circular metal

Pay attention to the circular metal of the D accessory, insert it into the hole position of the board first, and then install the glass

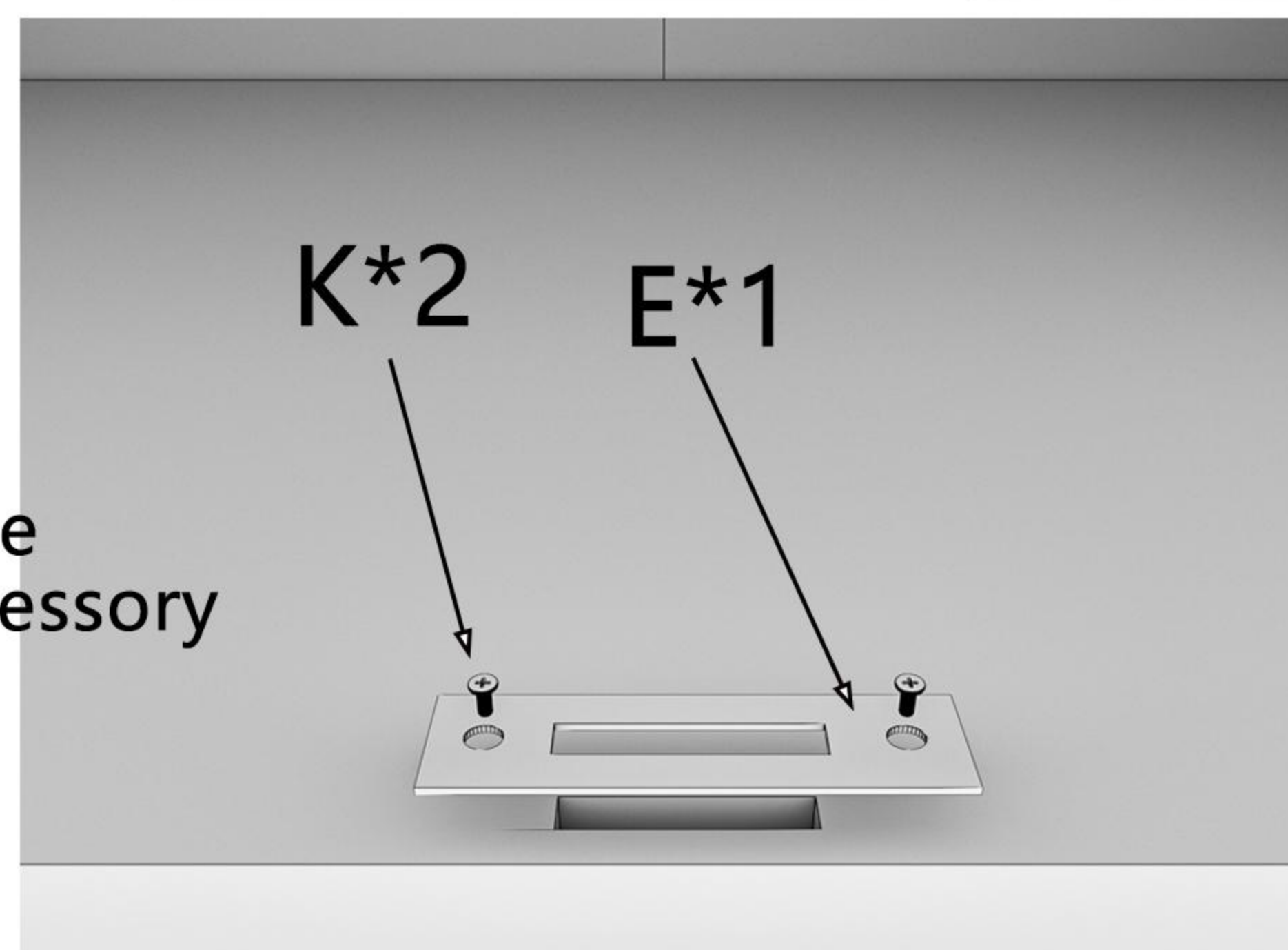


## STEP 19

E accessory elongated metal sheet, fixed in the middle hole position of plate 4 with K accessory

K\*2

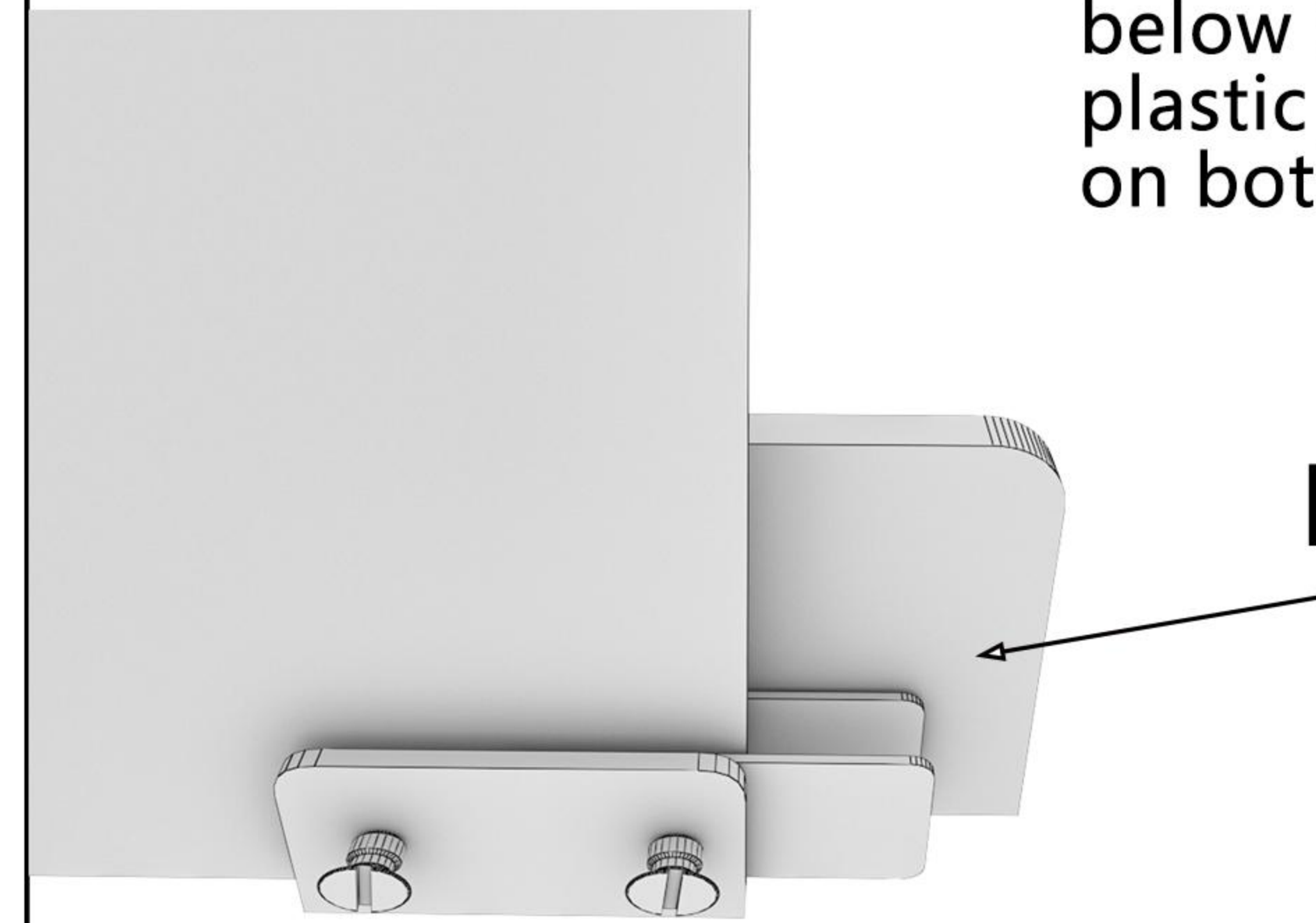
E\*1



## STEP 20

The E accessory must be installed below the right glass door, and two plastic sheets must be distributed on both sides of the glass

E\*1



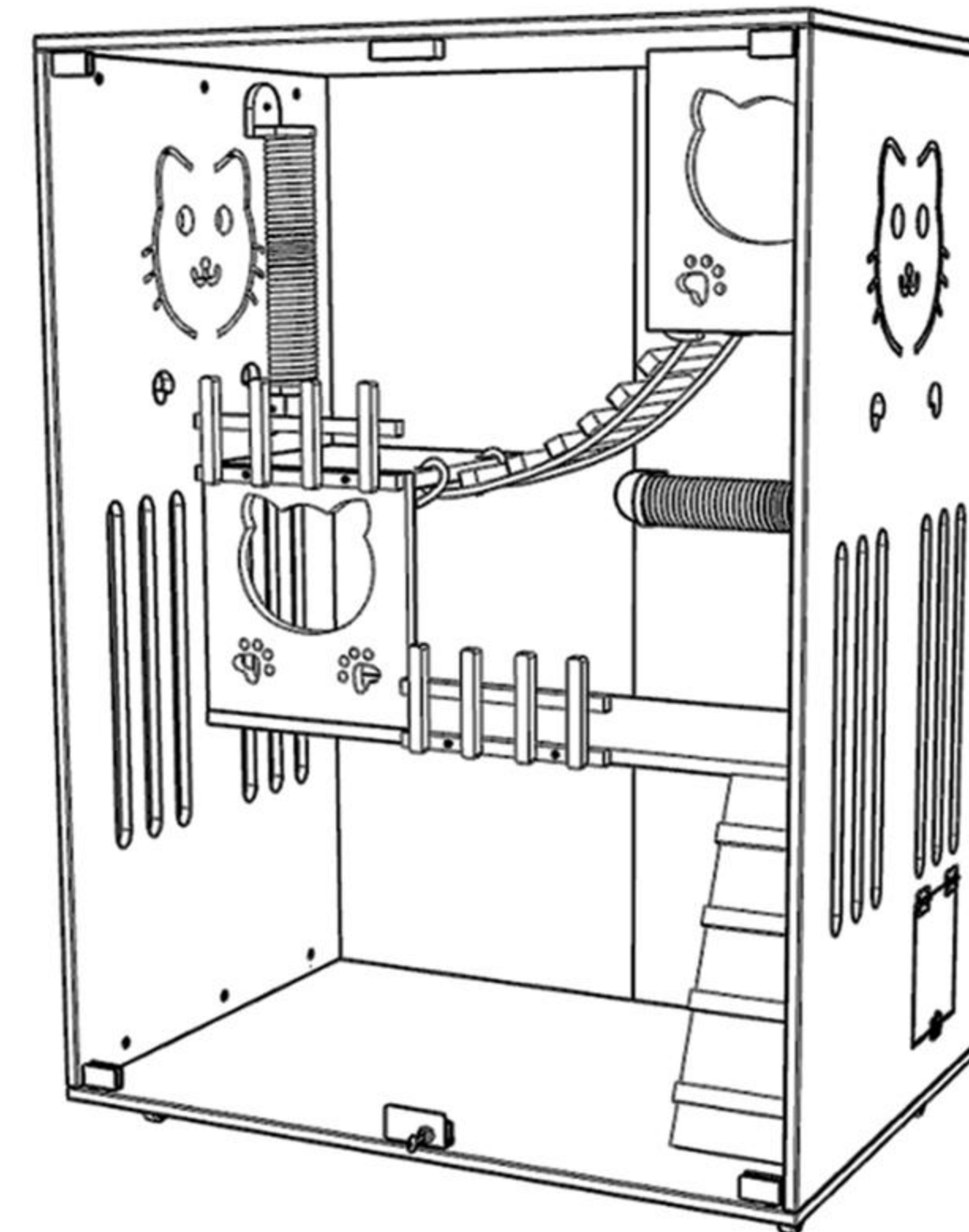
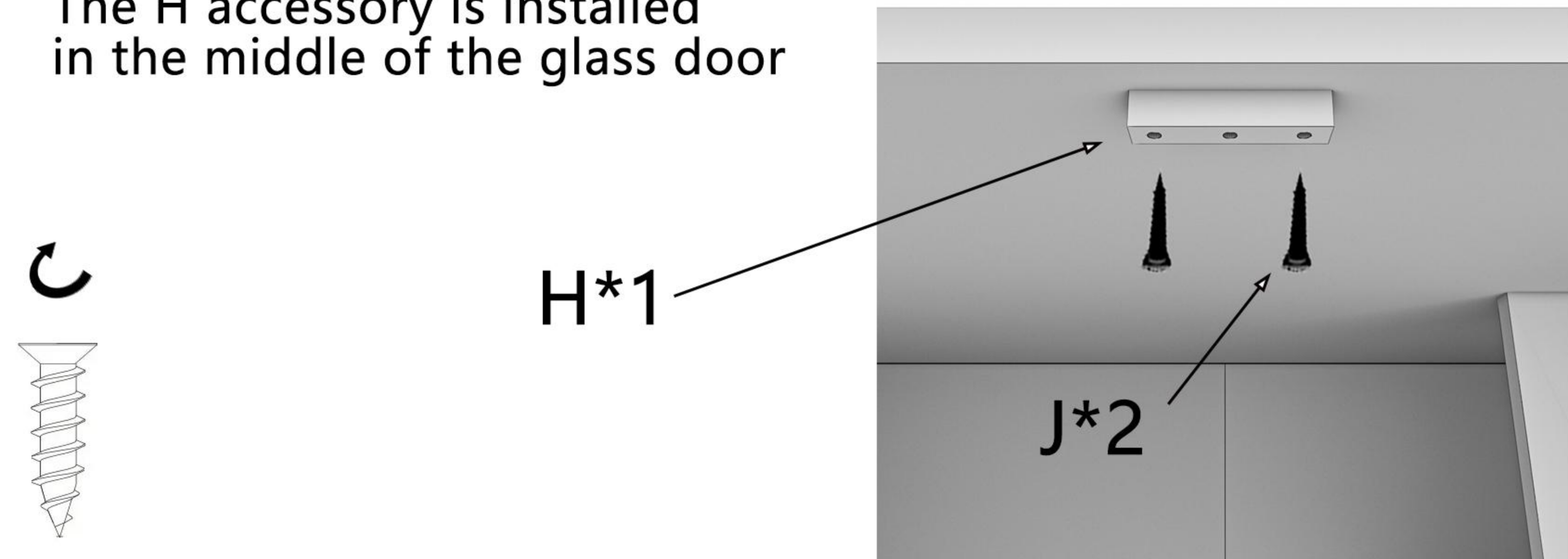
## STEP 21

The H accessory is installed in the middle of the glass door



H\*1

J\*2



## Attention:

If the glass is damaged, you can contact us for replacement. If any accessories are damaged or have problems, you can contact us.