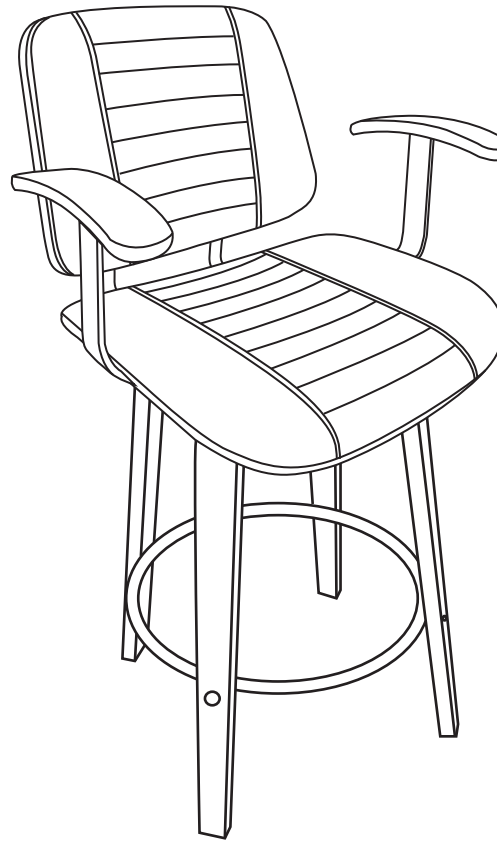
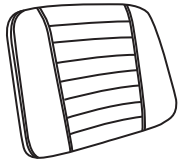
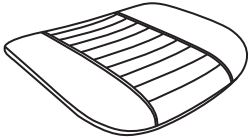
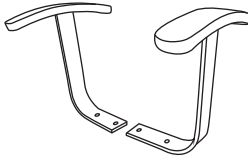
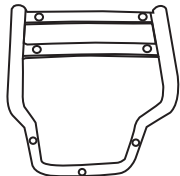
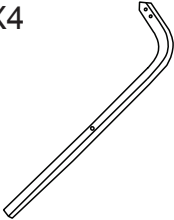

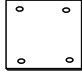
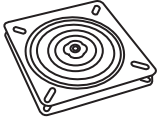
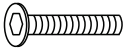
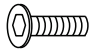
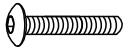
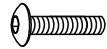
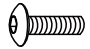



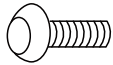
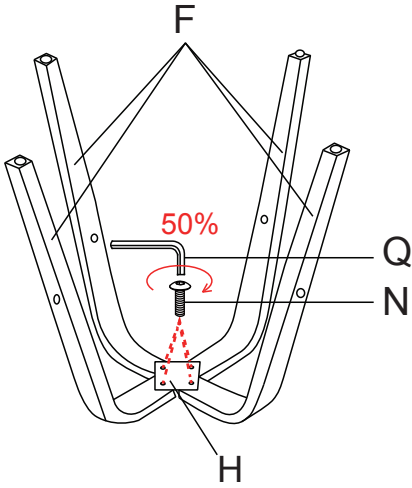


Installation & Assembly



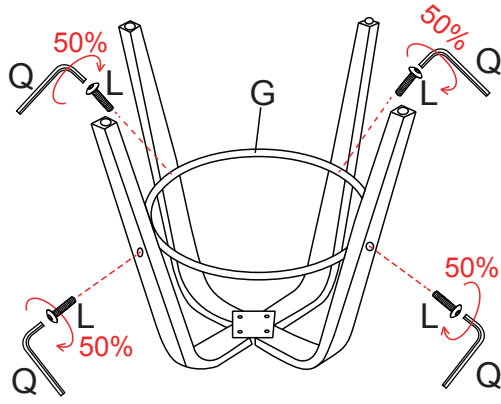
<p>AX1</p> 	<p>BX1</p> 	<p>CX2</p> 	<p>DX1</p> 	<p>FX4</p> 	<p>GX1</p> 	<p>HX1</p> 	<p>IX1</p> 	
<p>JX3+1Ext</p>  <p>M6X30mm</p>	<p>KX4+1Ext</p>  <p>M6X20mm</p>	<p>LX4+1Ext</p>  <p>M6X30mm</p>	<p>MX6+1Ext</p>  <p>M6X25mm</p>	<p>NX10+1Ext</p>  <p>M6X20mm</p>	<p>OX2</p>  <p>PLASTIC WASHER</p>	<p>PX4+2Ext</p>  <p>PLASTIC CAP</p>	<p>QX1</p>  <p>M6</p>	<p>RX1</p>  <p>SPARE FOOTNAIL</p>

1



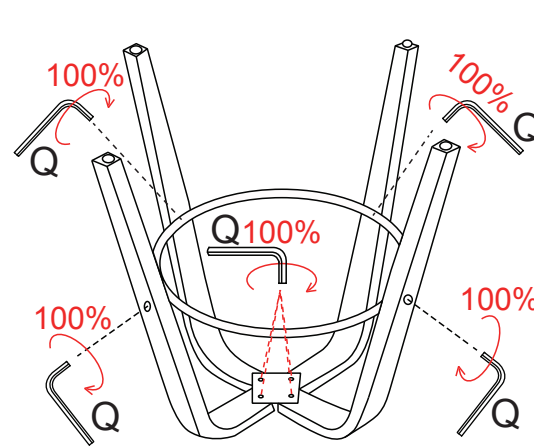
Note: Do NOT tighten the screws(N) in step 1

2



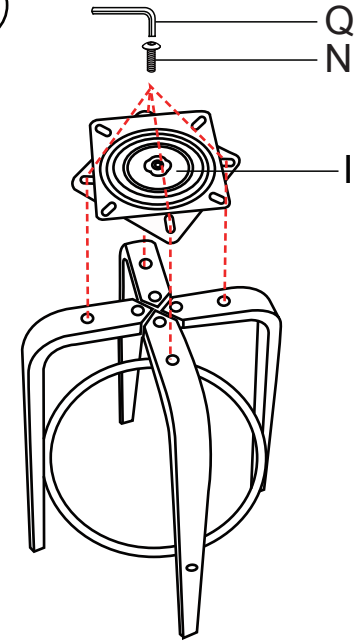
Note: Do NOT tighten the screws(L) in step 2

3

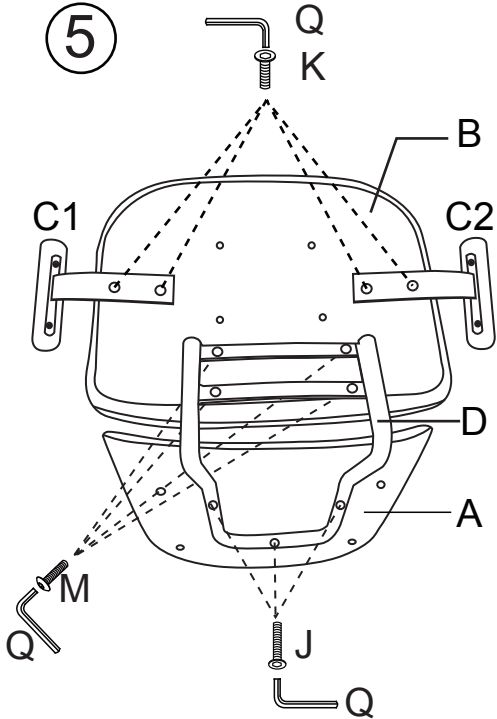


Note: Tighten the screws(N) and screws(L) in step 3

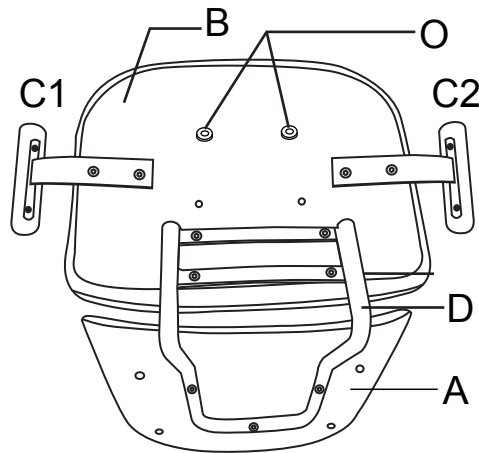
4



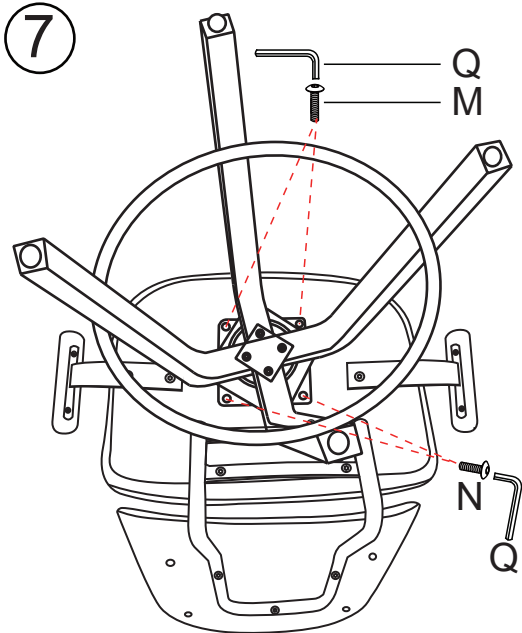
5



6



7



8

