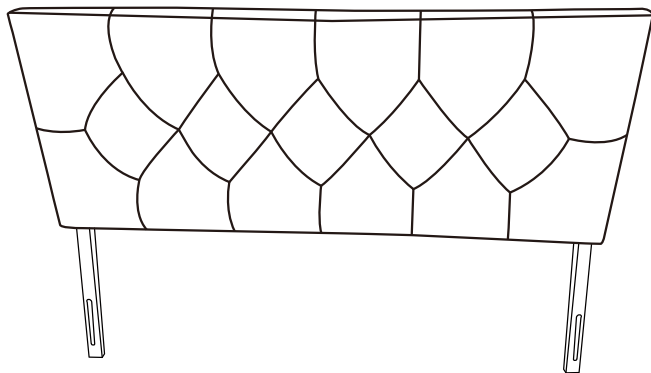


# Olaterior

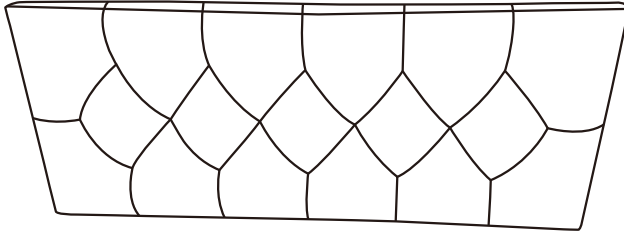
## ASSEMBLY INSTRUCTION

### Headboard

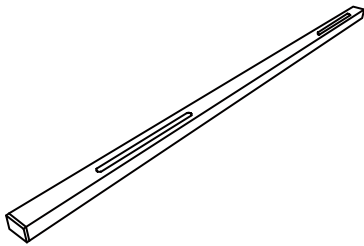


# Part List

AX1



BX2



CX4

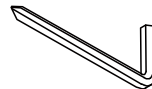


M6x35mm

DX4



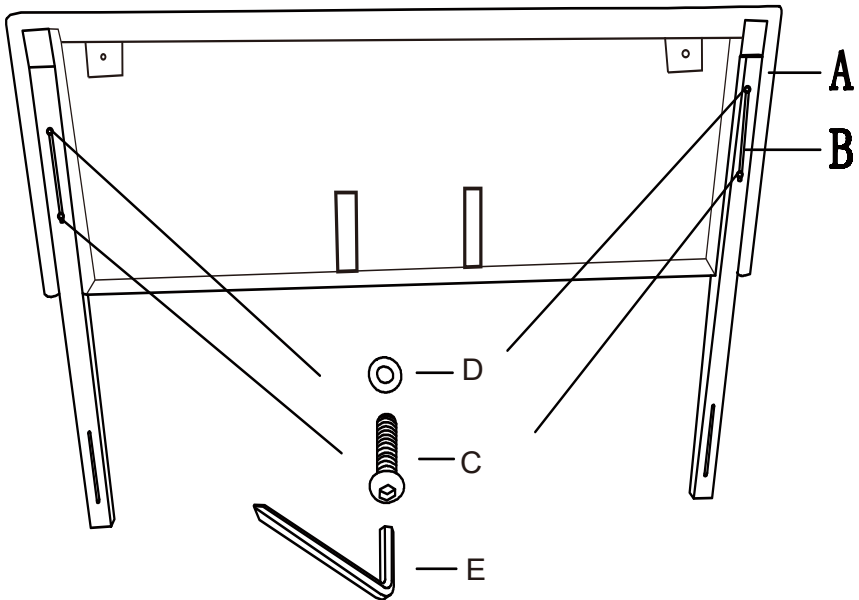
EX1



If you need any support, please contact us through E-mail: [service01@olaterior.com](mailto:service01@olaterior.com)  
We will respond within 24 hours.

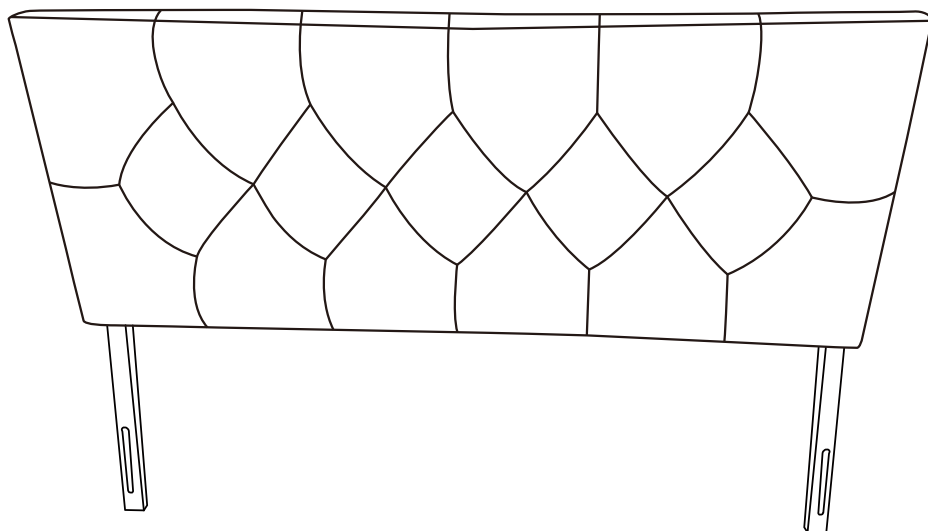
### Step 1:

Place the leg on the back of the headboard, align the screw holes, then tighten the washers and screws to secure the leg. Only tighten screws to 60% until all screws are in place.









If you need any support, please contact us through E-mail: [service01@olaterior.com](mailto:service01@olaterior.com)  
We will respond within 24 hours.

## Step 2:



## Part List

A X4	B X4	C X2
 M6x75 Bolts	 M6x35 Bolts	 Adapter
DX4	E X4	F X8
		

### IMPORTANT NOTES

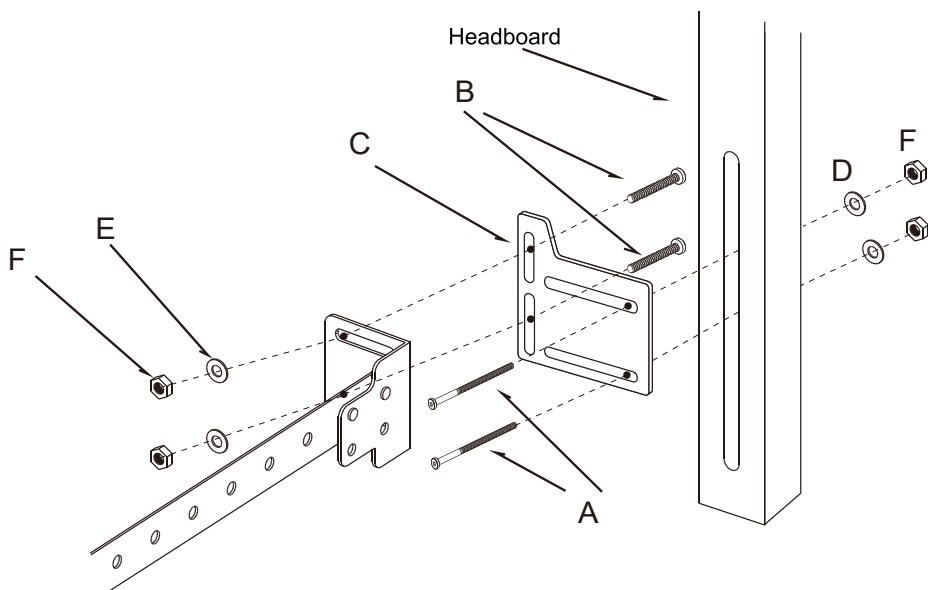
Read all instructions before assembly. Save these instructions for future use. Before each use or assembly, check for damaged hardware and missing parts. If replacement parts or additional instructions are needed, contact the manufacturer. Periodically check that all fasteners and screws are tight and properly positioned.

# BED FRAME ADAPTER ASSEMBLY INSTRUCTIONS

## Step 1:

Position the assembled bed frame in front of the headboard. Place the adapter to figure out which slots align with both the bed frame and headboard. Use the included lock nuts, small washers, and M6x35 bolts to attach the adapter to the bed frame as shown in Figure 1.

Figure 1



## Step 2:

Use the included lock nuts, small washers, and M6x75 bolts to attach the headboard to the bed frame adapter.