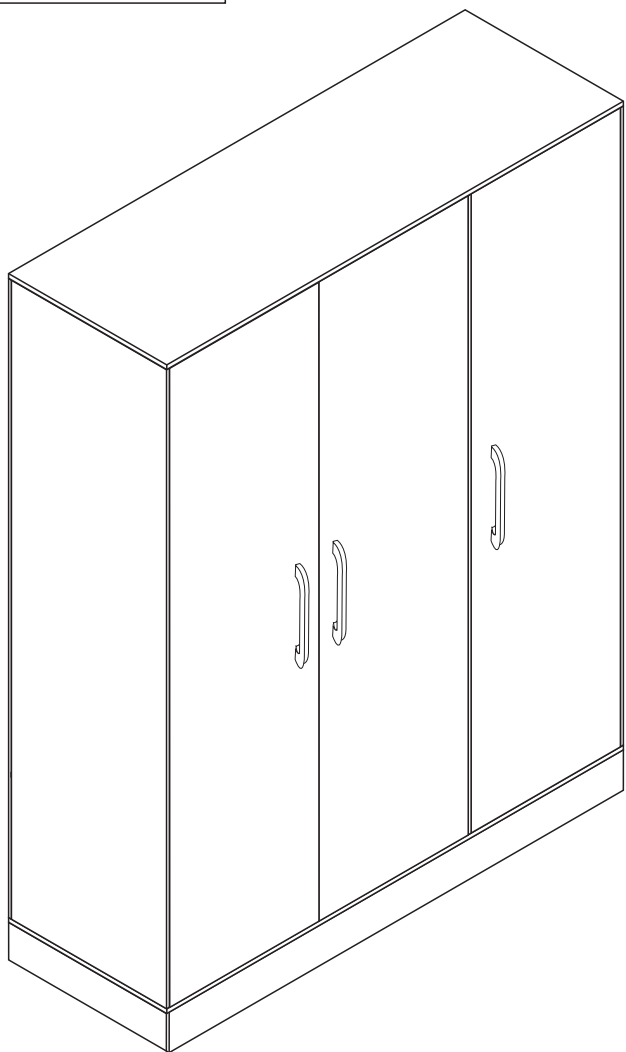
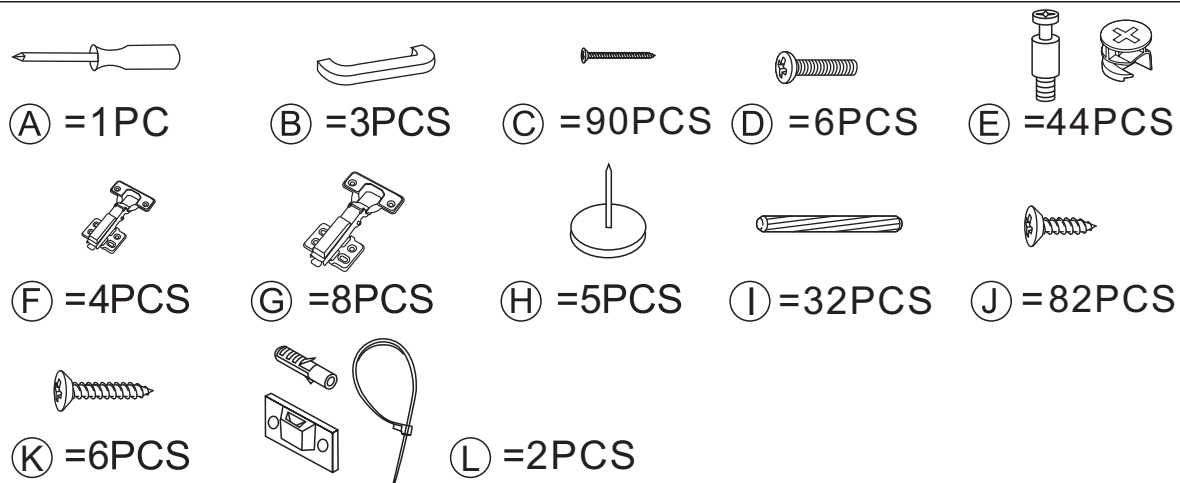
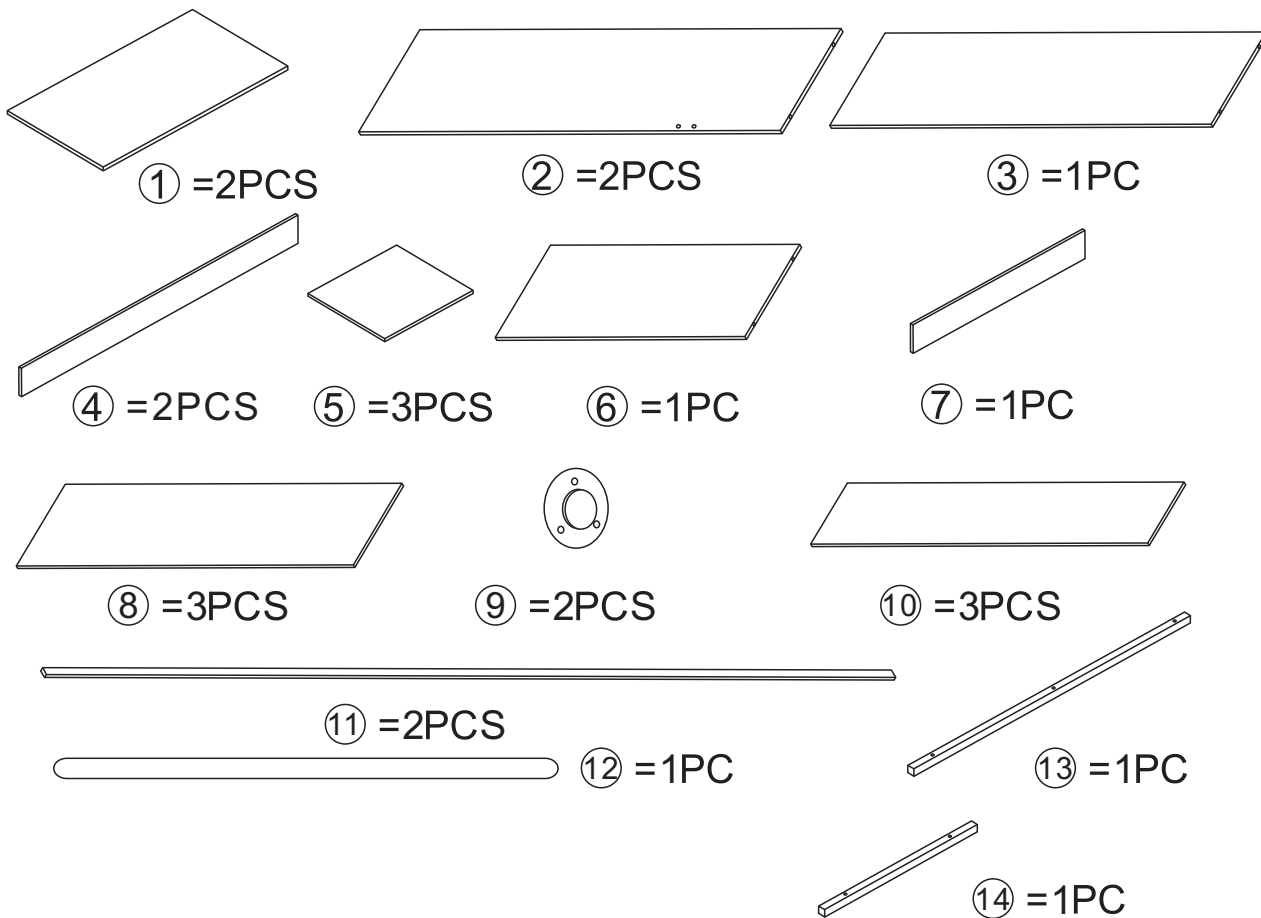


ASSEMBLY INSTRUCTION

LQ2

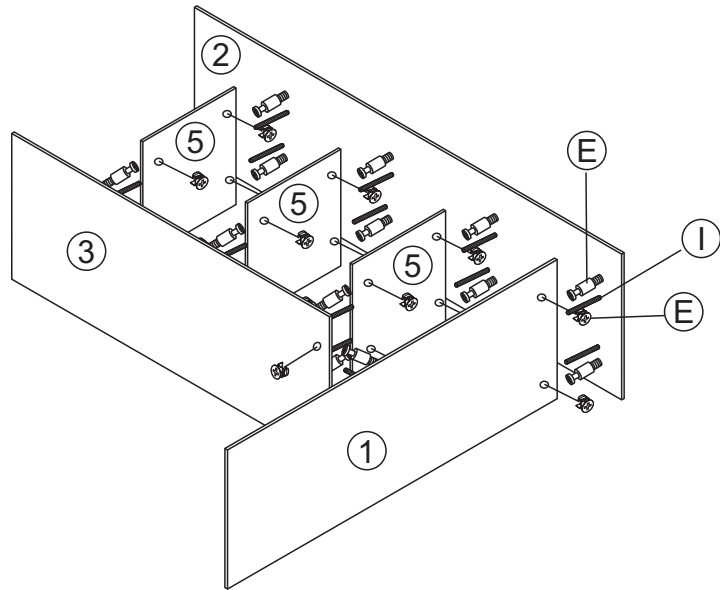


It is recommended to put the frame down for assembly

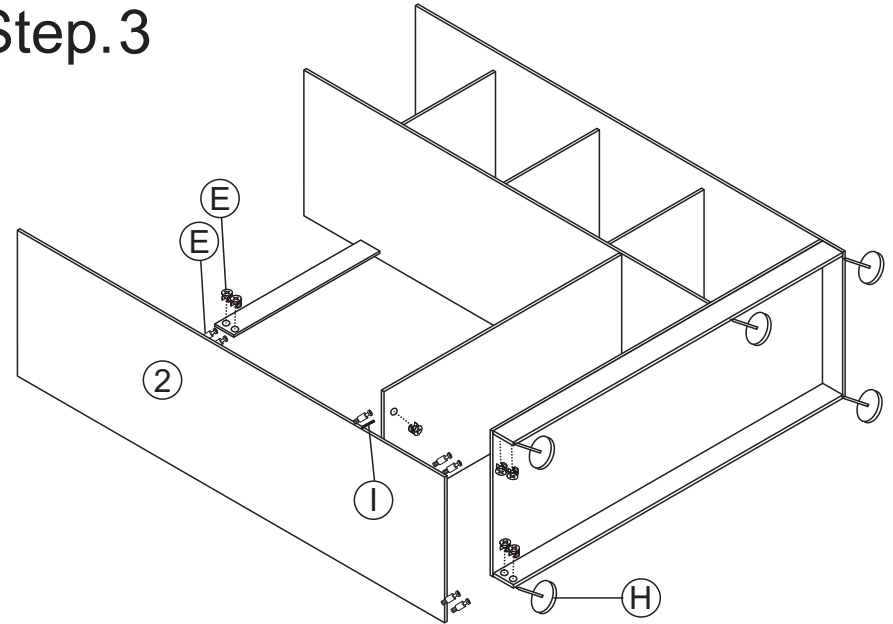


LQ2

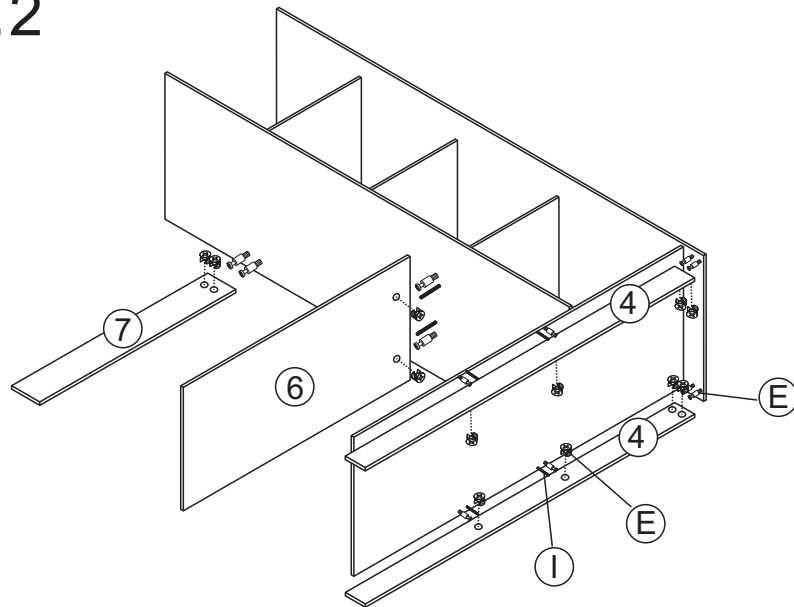
Step.1



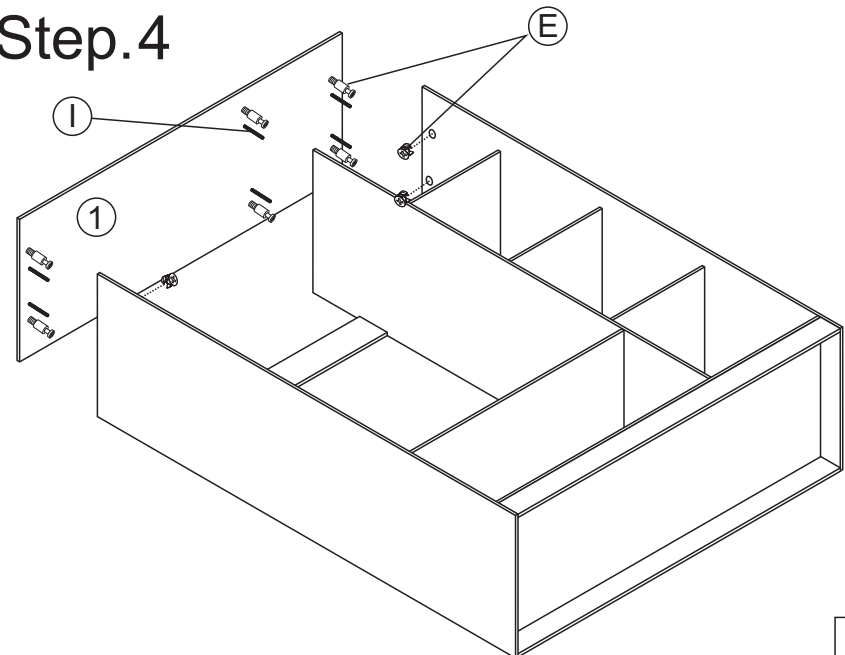
Step.3



Step.2

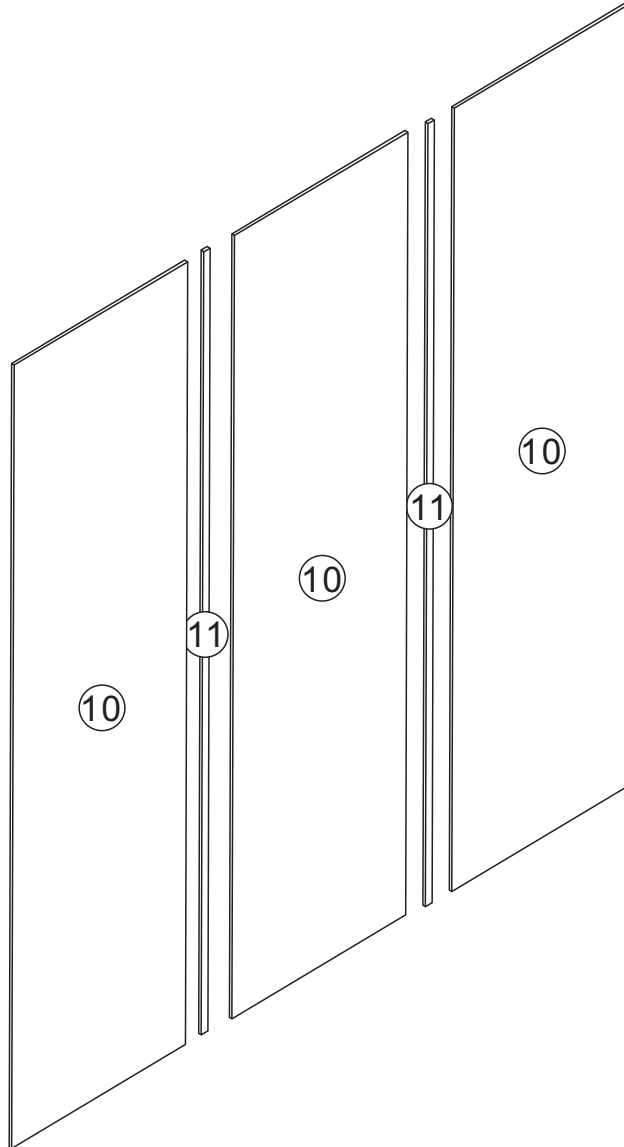


Step.4

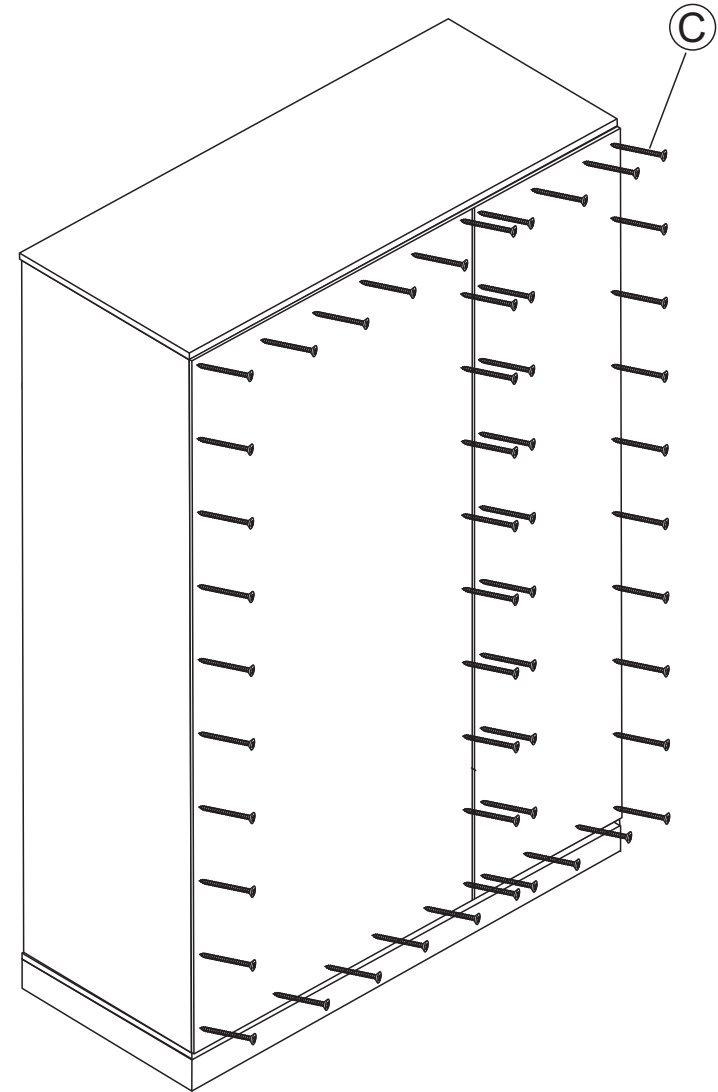


LQ2

Step.5

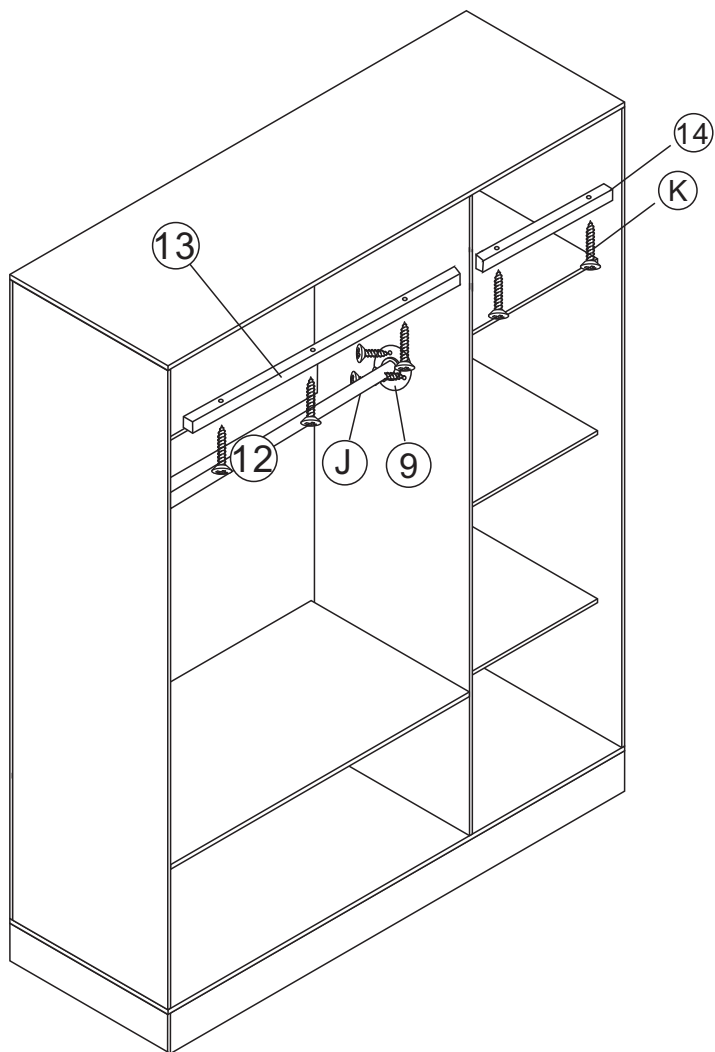


Step.6

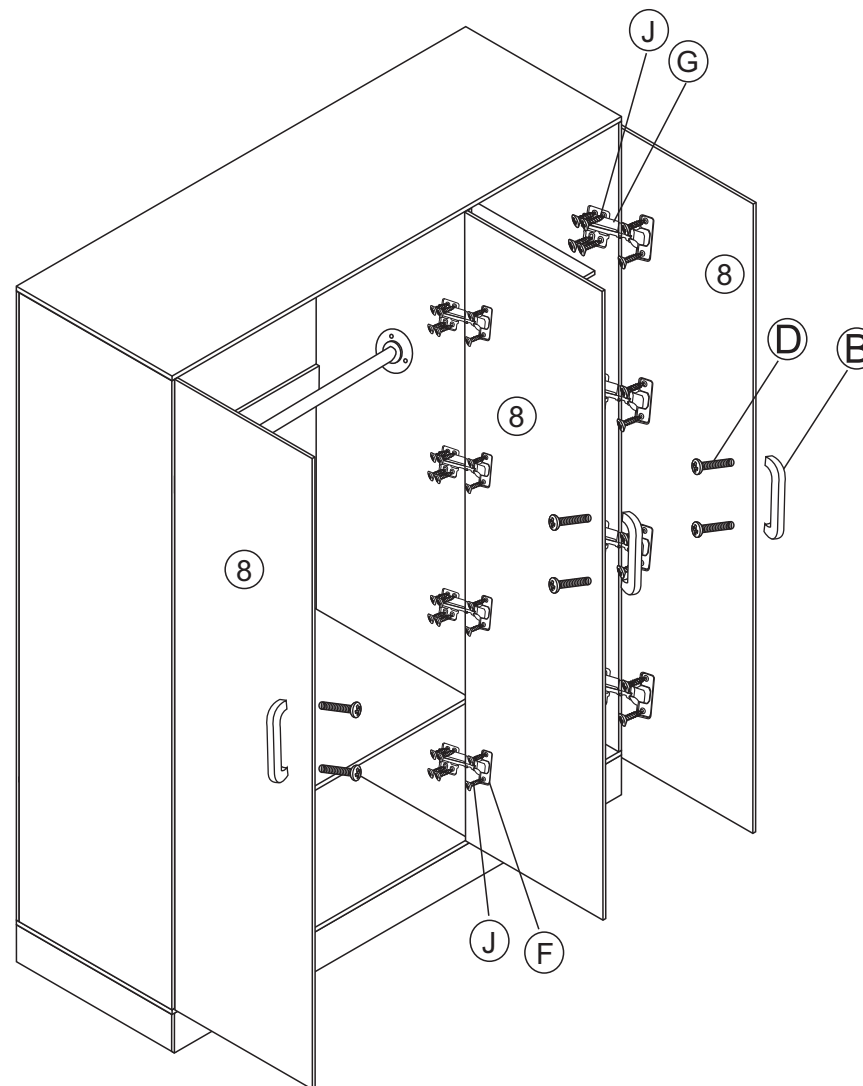


LQ2

Step.7

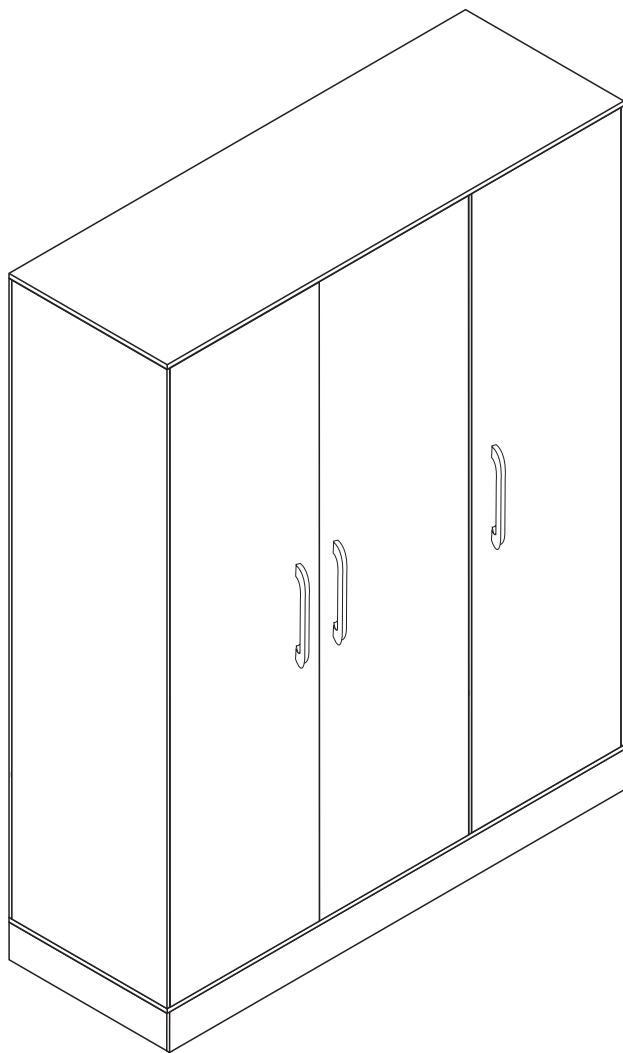


Step.8



LQ2

Step.9



Step.10

