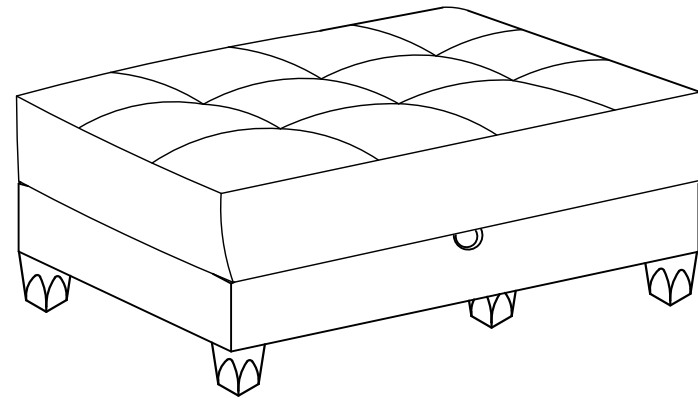
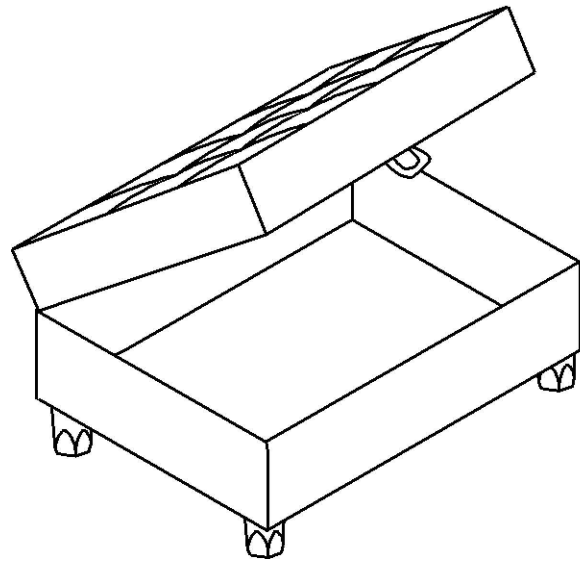
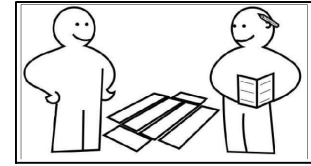


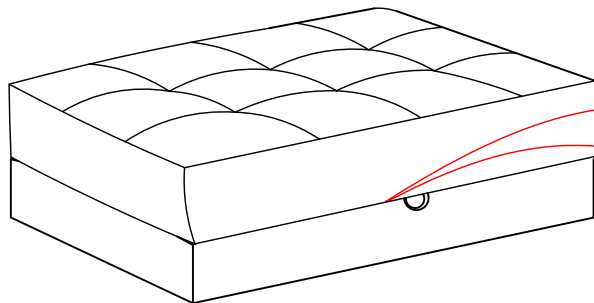
ASSEMBLY INSTRUCTION

Attention:
Two people are required for
assembly and lifting unit.



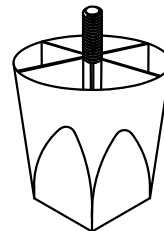
ASSEMBLY PART

A.



Storage Ottoman (1pc)

B.



Leg (4pcs)

*Leg (4pcs) can be found at
the Inside of storage ottoman.

ASSEMBLY STEPS

STEP 1/1

Open the Storage Ottoman(A)'s storage locate, remove the Leg(C). Attached the Leg(C)(4pcs) on the bottom of Storage Ottoman(A)(1pc)
Make sure it is fully tighten and secure.

