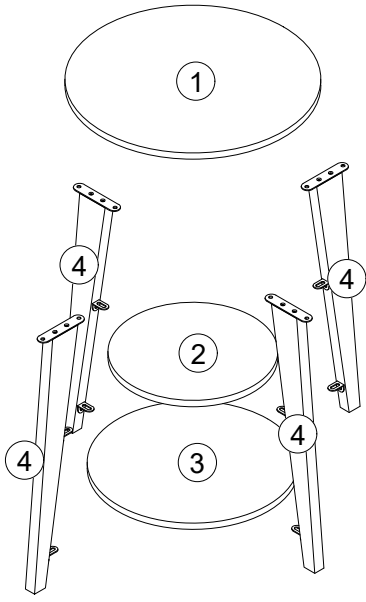


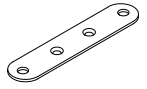
Installation Diagram



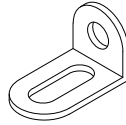
Ax24



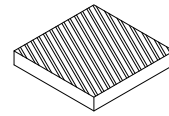
Bx8



Cx4



Dx8

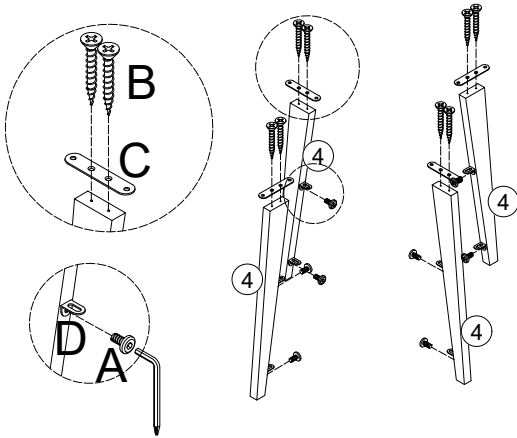


Ex4



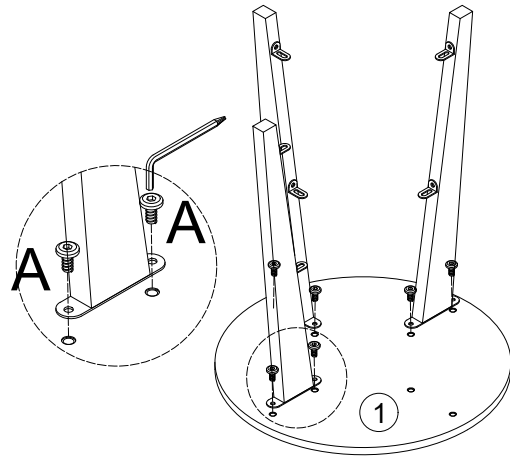
Fx1

Step 1:



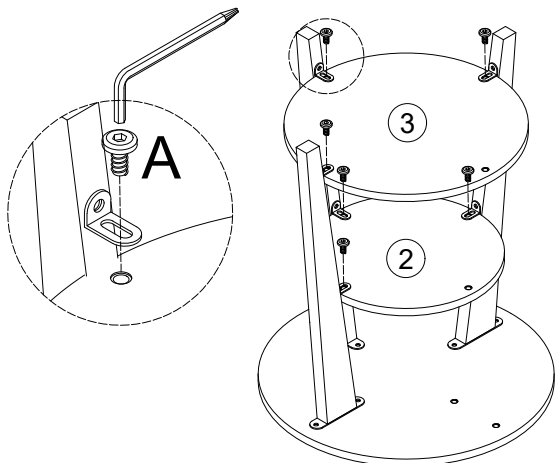
- ▶ Attach Component C to Panel 4 with B screws
- ▶ Attach Component D to Panel 4 with A screws

Step 2:



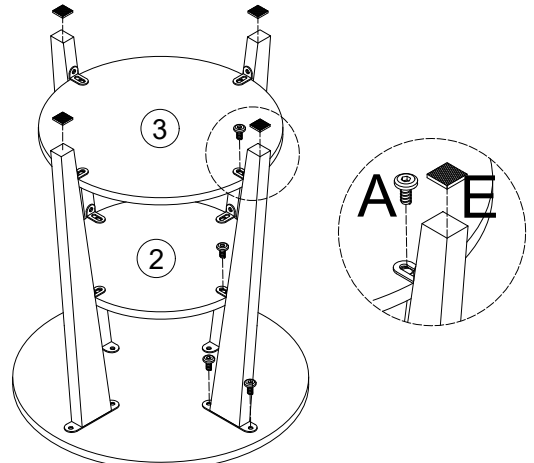
- ▶ Attach Component C to Panel 1 with A screws

Step 3:



- ▶ Attach Component D to Panel 2 and 3 with A screws

Step 4:



- ▶ Attach Component D to Panel 2 and 3 with A screws
- ▶ Attach Component E to Panel 4