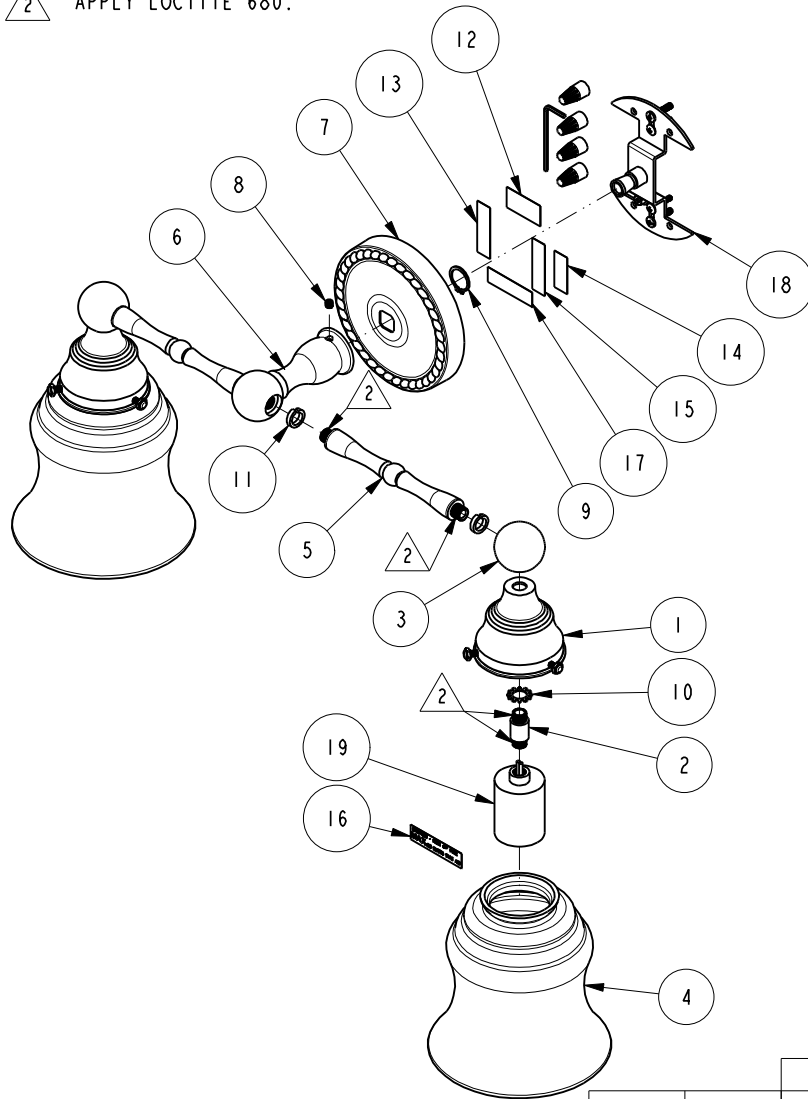


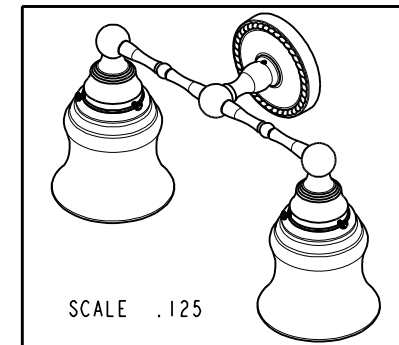
NOTES:

- (N1) 1. FIT / FORM / FUNCTION SHALL FOLLOW PS-E.008.
- (N2) 2. APPLY LOCTITE 680.



BILL OF MATERIAL (CURRENT LEVEL)

ITEM	PT/ASSY	DESCRIPTION	TYPE	QTY.
1	0182-LC	LAMP HOLDER CUP ASSEMBLY	ASSEMBLY	2
2	0182-N	1/8" x 1-1/8" PIPE NIPPLE W/SHOULDER	PART	2
3	682-2E	ELBOW	PART	2
4	1181-TG-E	SATIN ETCHED CLEAR GLASS SHADE	PART	2
5	1182-A	ARM	PART	2
6	1182-P	DOUBLE LIGHT POST	PART	1
7	1581-RB	CANTERBURY BASE	PART	1
8	92308	SCRW, M5 X 5 SKT HD CUP PT SS	PART	1
9	92318	SNAP RING, 17MM X 1MM STEEL EXTERNAL	PART	1
10	92379	WSHR, 10.5 ID X 18 OD X 0.9MM THK, EXT. TOOTH LOCK, SS	PART	2
11	92382	WSHR, 10.7 ID X 16 OD X 2.35MM THK, SPLIT LOCK, SS	PART	4
12	98006	LABEL, UL LISTED	PART	1
13	98012	LABEL, WALL MOUNT ONLY	PART	1
14	98079	LABEL, MONTH YEAR E222146	PART	1
15	98088	LABEL, MIN 75 C SUPPLY CONDUCTORS	PART	1
16	98101	LABEL, 100 WATTS MAX	PART	2
17	98113	LABEL, PNXXX INCANDESCENT FOR DAMP LOCATIONS	PART	1
18	CB-002	LIGHT MOUNTING PACK	ASSEMBLY	1
19	ML4-18	PORCELAIN LAMPHOLDER	PART	2



TESTING	-	-	-
ASSEMBLY	-	-	-
PLATING	-	-	-
POLISHING	-	NEXT ASSY	USED ON
MACHINING	-	APPLICATION	
TOOLING	FIXTURE #	REMOVE ALL BURRS AND SHARP EDGES	

UNITS ARE: INCHES [MM]  
 TOLERANCES ARE:  
 FRACTIONS DECIMALS ANGLES  
 ±1/16" .X ±.1 [2.5] ±1°  
 .XX ±.06 [1.5]  
 (X.XXX) DENOTES CRITICAL DIMS.  
 ALL THREADS ARE CRITICAL  
 DRAWN JINSON 08/29/16  
 CHECKED RAVINDRA 08/29/16  
 APPROVED R.S 08/29/16

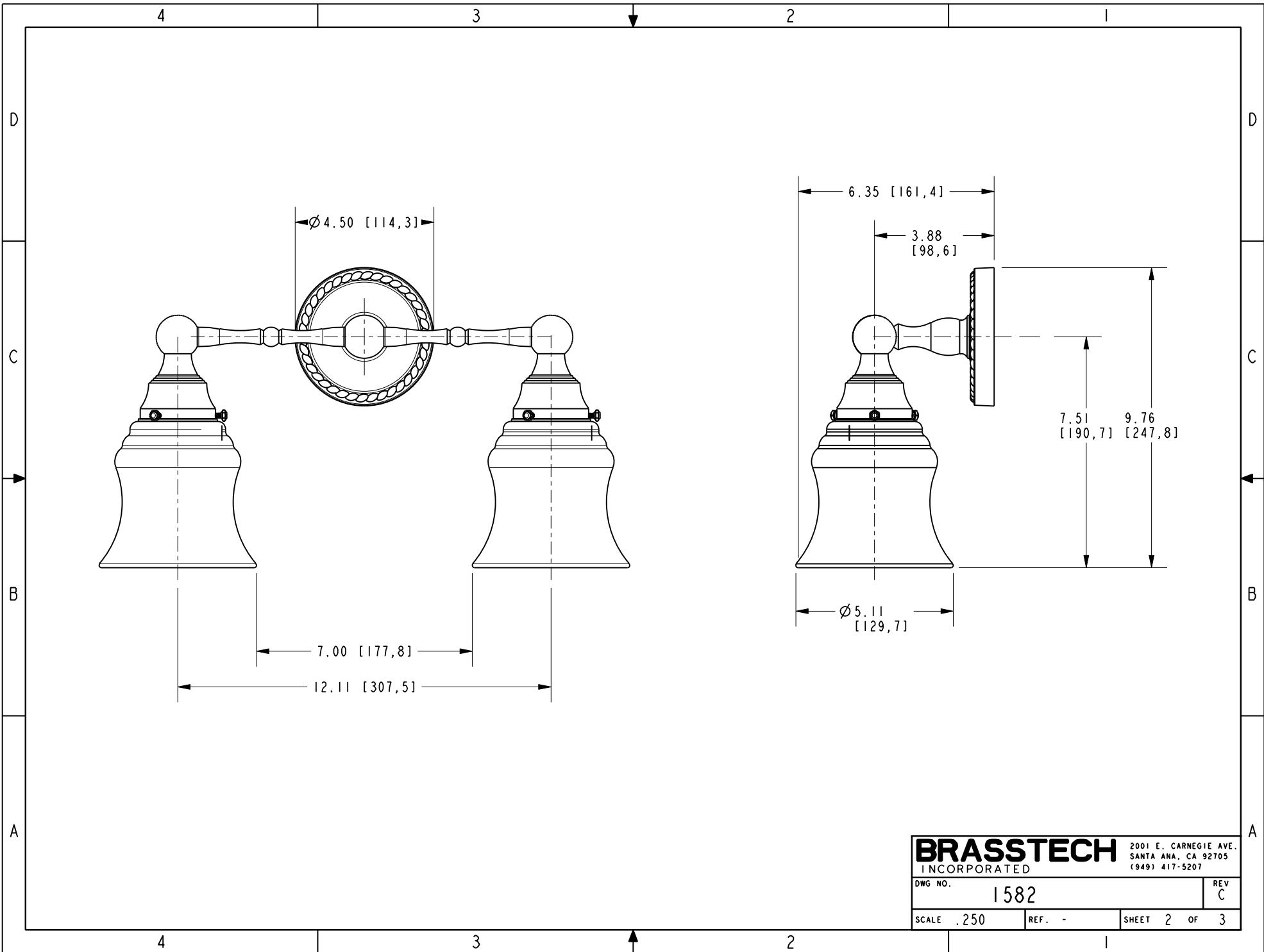
**BRASSTECH** 2001 CARNEGIE AVE.  
 INCORPORATED SANTA ANA, CA 92705  
 (949) 417-5207

DOUBLE LIGHT WITH SATIN  
 ETCHED GLASS

DWG NO. 1582 REV C

SCALE .187 REF. - SHEET 1 OF 3

-	C	EN-3127	08/29/16	R.S	COPYRIGHT 2005 BRASSTECH, INC. THESE DRAWINGS AND THE DESIGNS DEPICTED HEREIN ARE THE PROPRIETARY PROPERTY OF BRASSTECH. ANY USE OR REPRODUCTION IS SUBJECT TO THE EXPRESS APPROVAL OF BRASSTECH. UNAUTHORIZED USE IS STRICTLY PROHIBITED. ALL RIGHTS RESERVED.
-	B	EN-2352	11/12/12	-	
-	A	EN-1008	10/09/09	-	
ZONE	REV	DESCRIPTION	DATE	APPROVED	



<b>BRASSTECH</b>		2001 E. CARNEGIE AVE.	
INCORPORATED		SANTA ANA, CA 92705	
DWG NO. 1582		REV C	
SCALE .250	REF. -	SHEET 2 OF 3	

