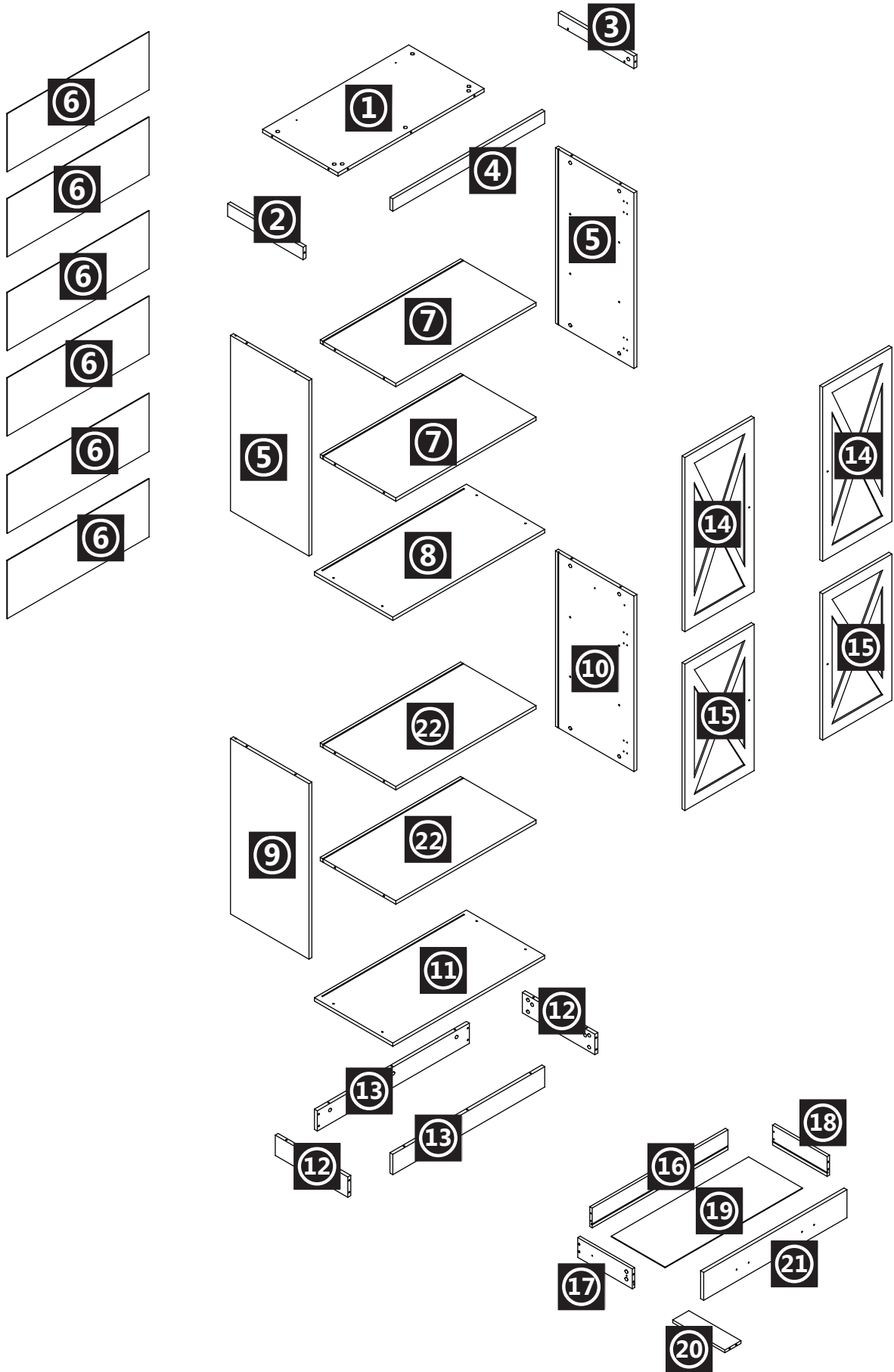
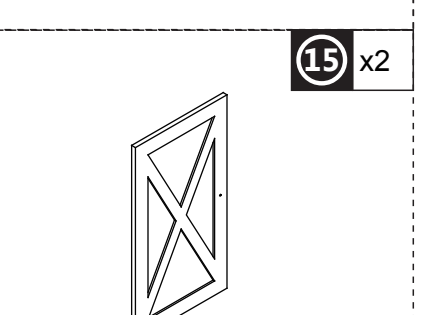
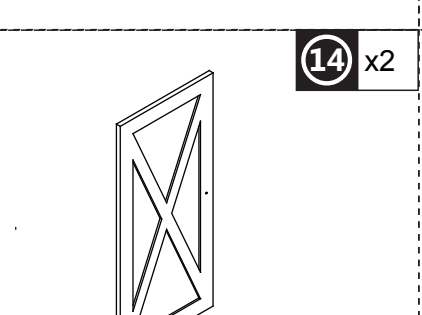
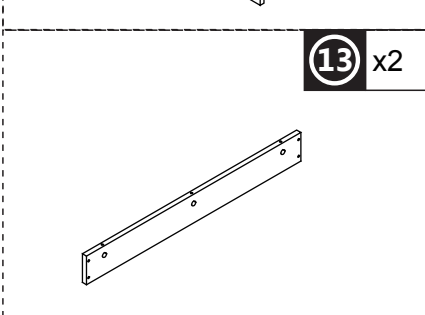
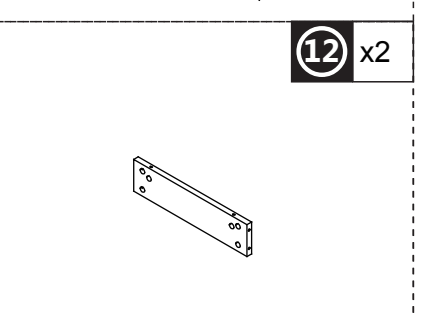
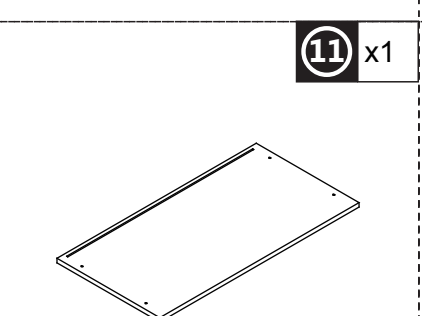
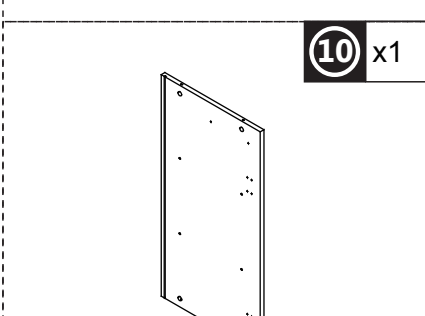
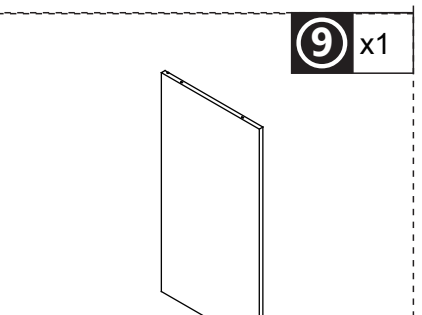
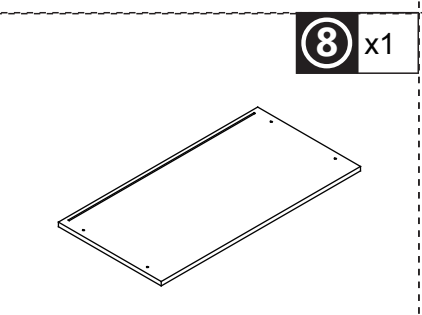
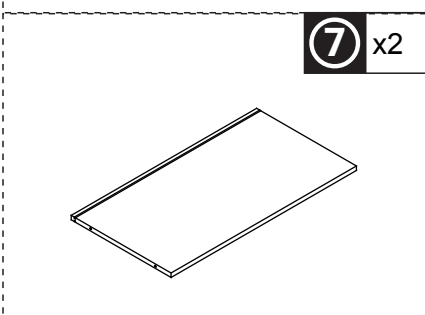
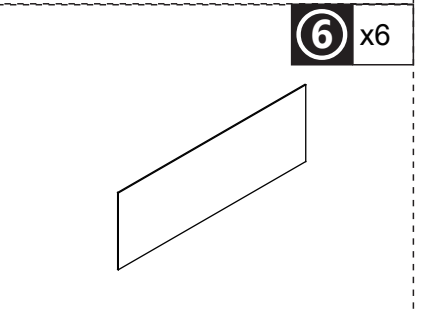
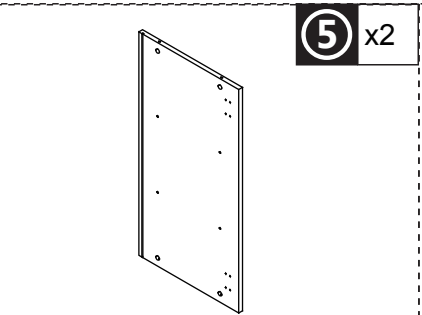
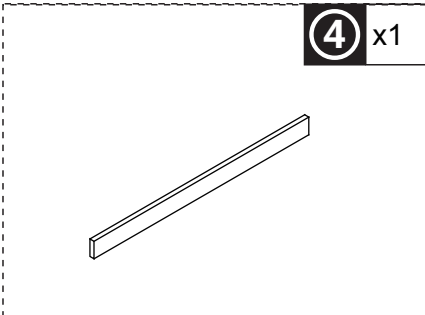
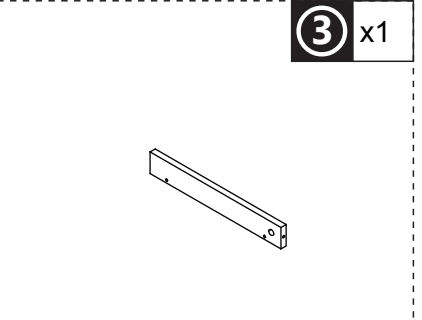
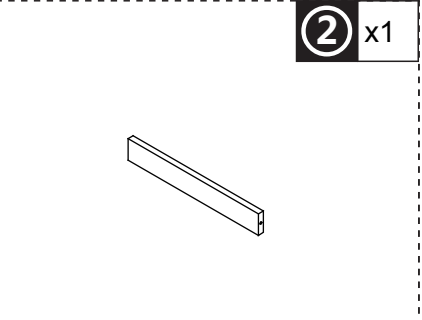
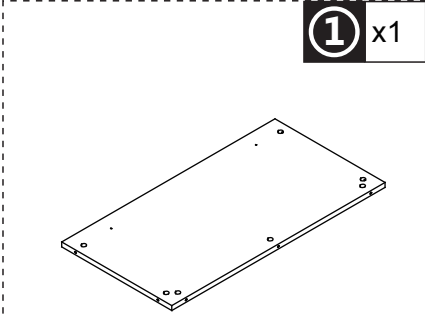
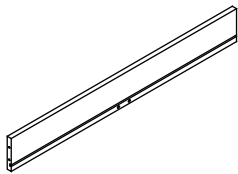


STORAGE CABINET

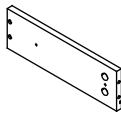




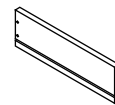
16 x1



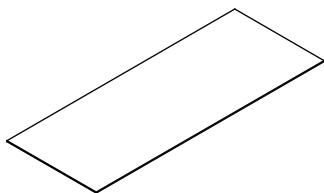
17 x1



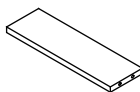
18 x1



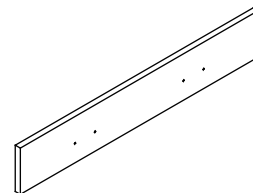
19 x1



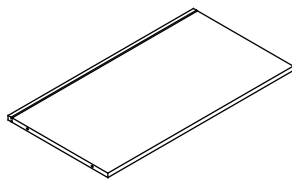
20 x1

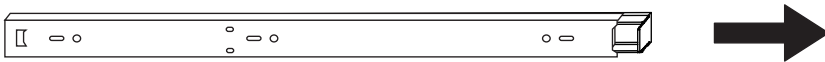
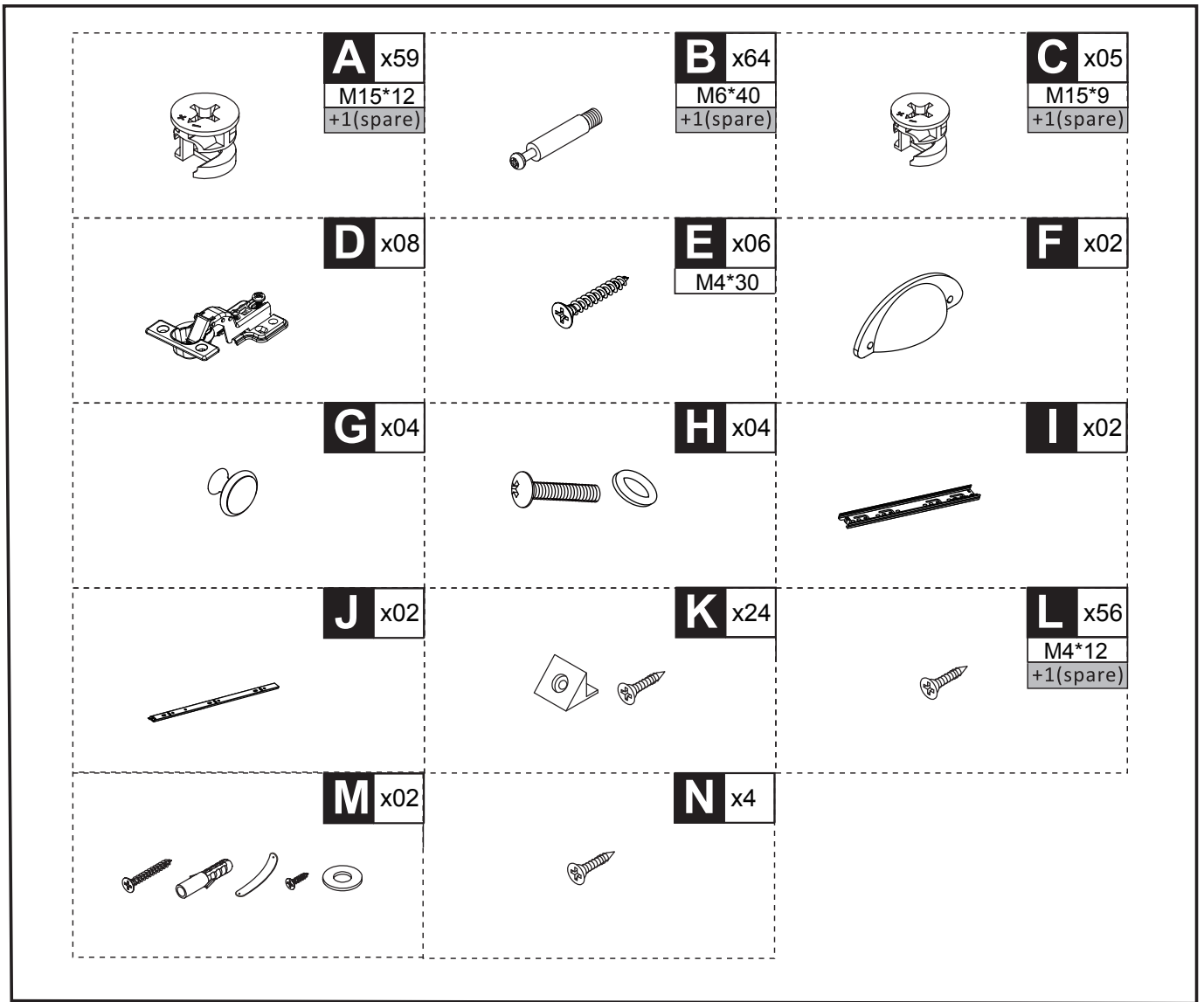


21 x1

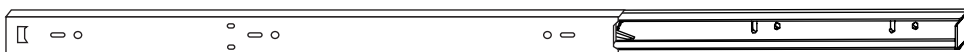


22 x2





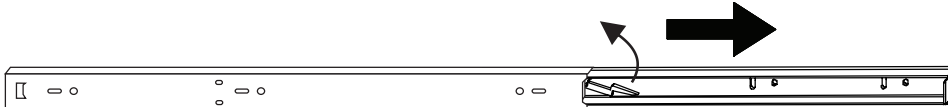
Pull inner and outer drawer runners apart before fixing them to panels.



OUTER RUNNER

INNER RUNNER

Slide drawer runners apart until the drawer lock can be seen, as shown.

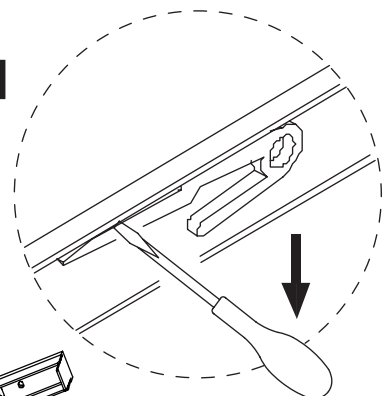


OUTER RUNNER

INNER RUNNER

OUTER RUNNER

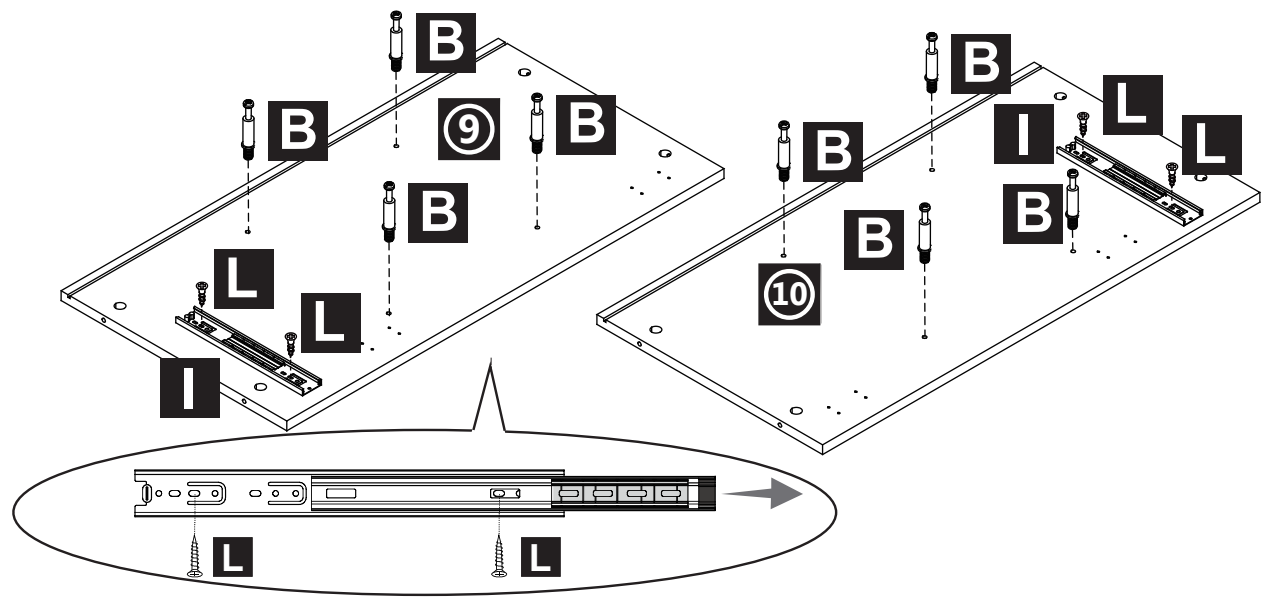
INNER RUNNER



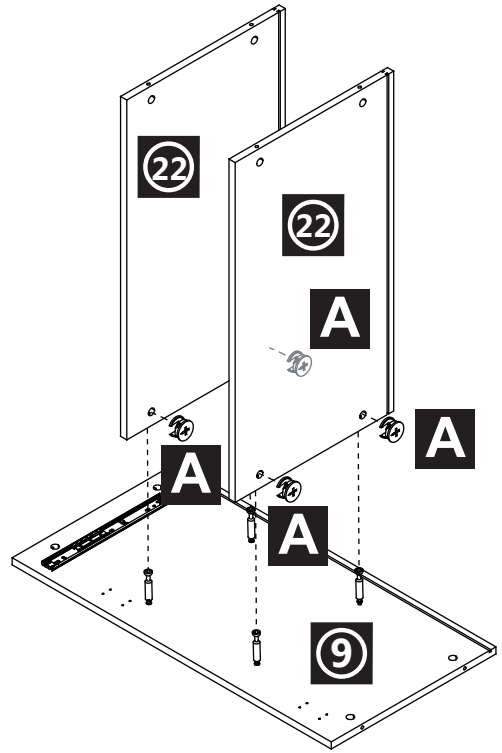
Press and hold the drawer runner lock and then continue to slide drawer runners apart, as shown.

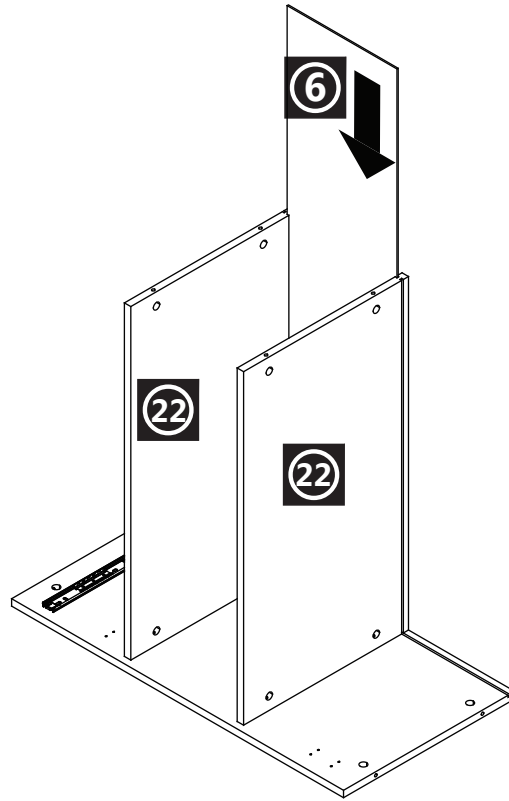
Your inner and outer drawer runners are ready to be fixed to panels.

- B** x 8
- I** x 2
- L** x 4

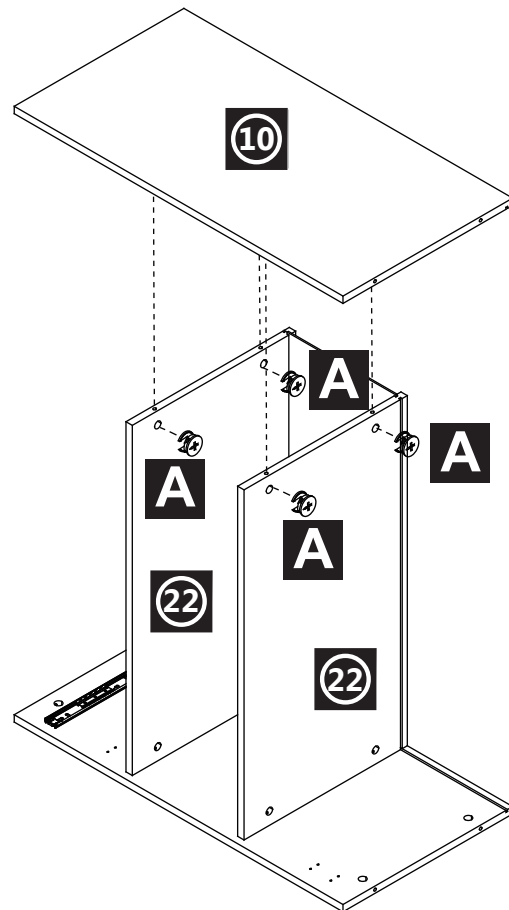


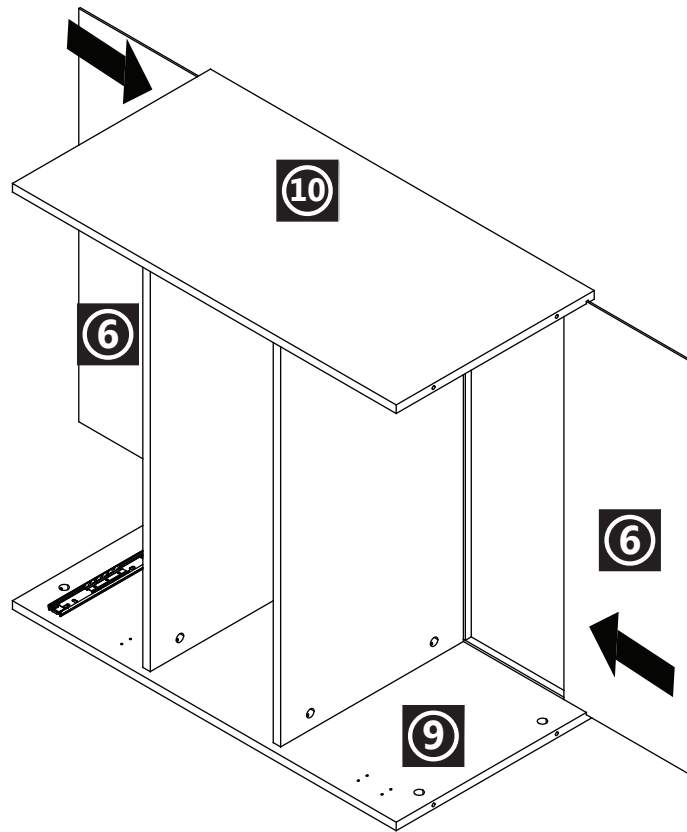
- A** x 4





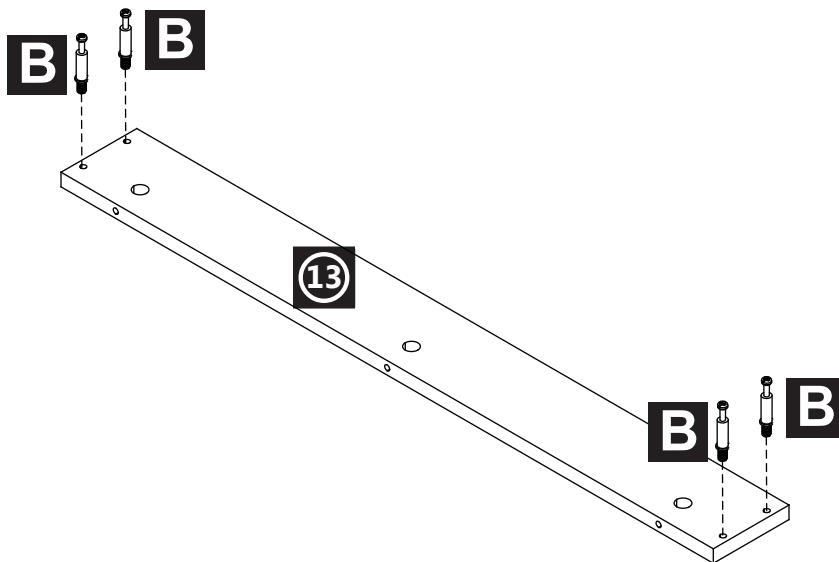
A x 4





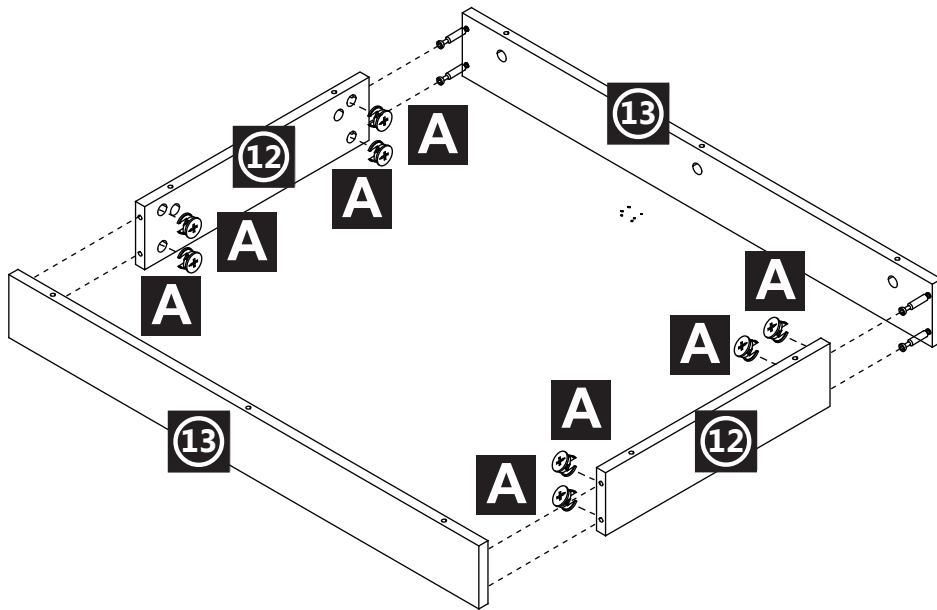
B x 8

x2



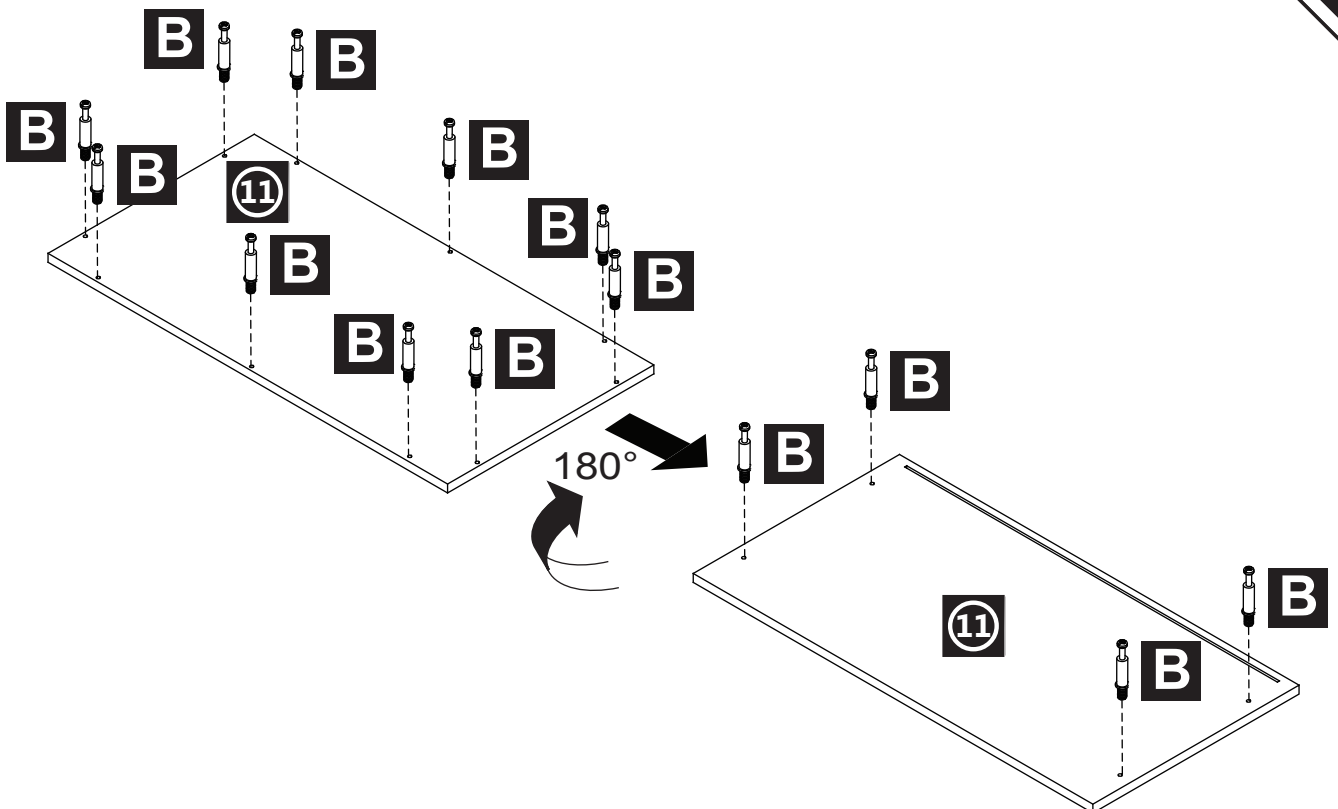
A x 8

07

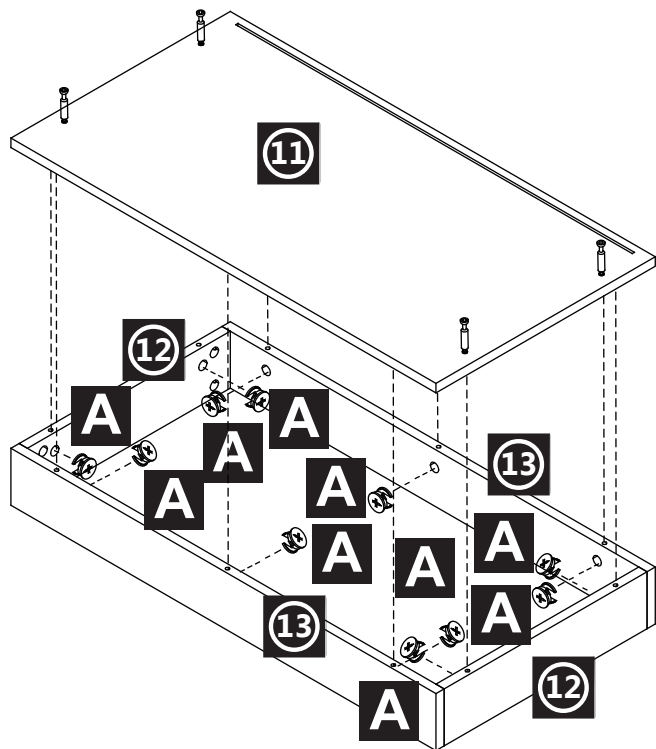


B x 14

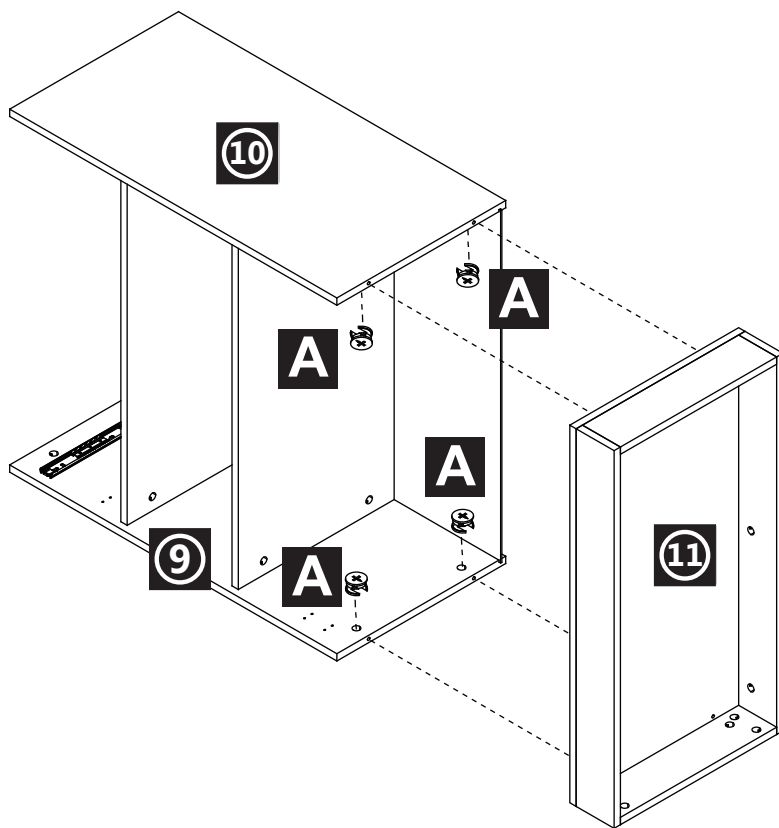
08



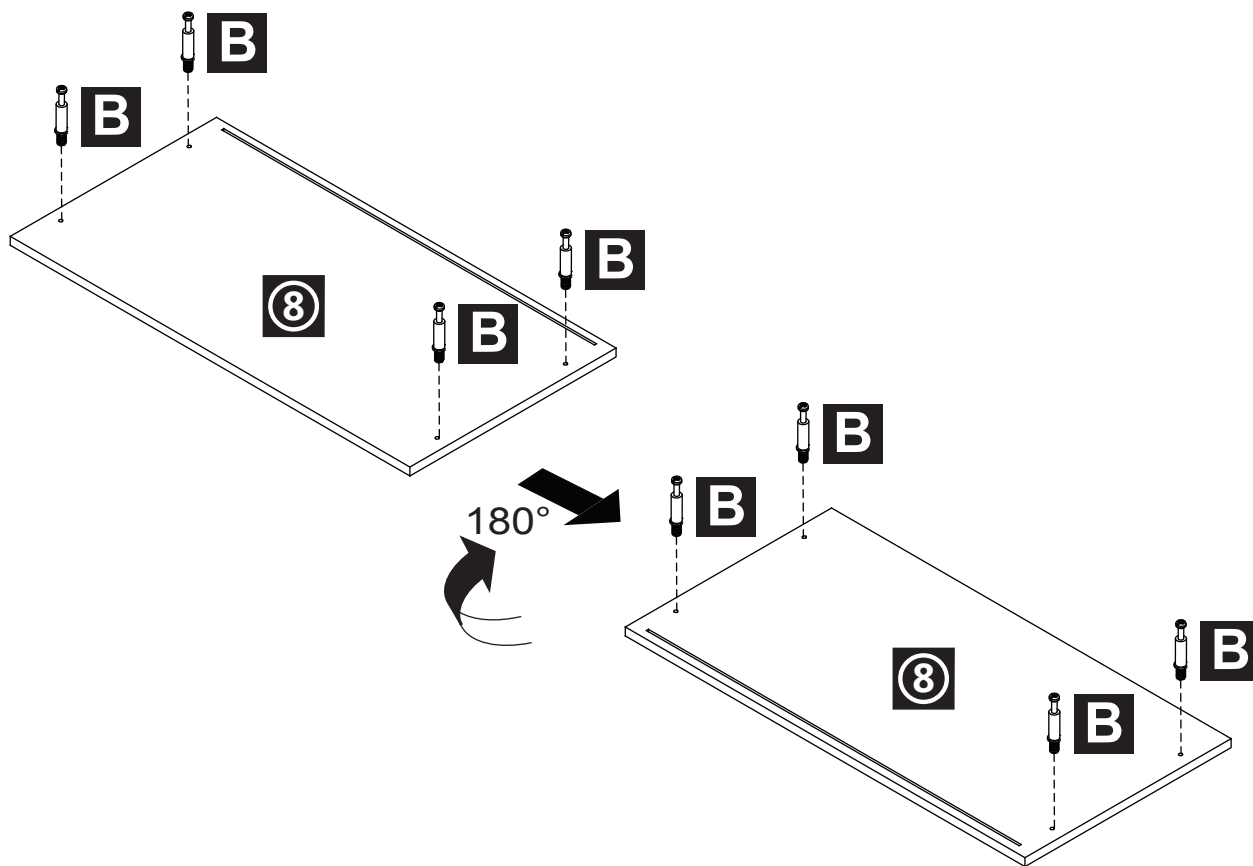
A x10



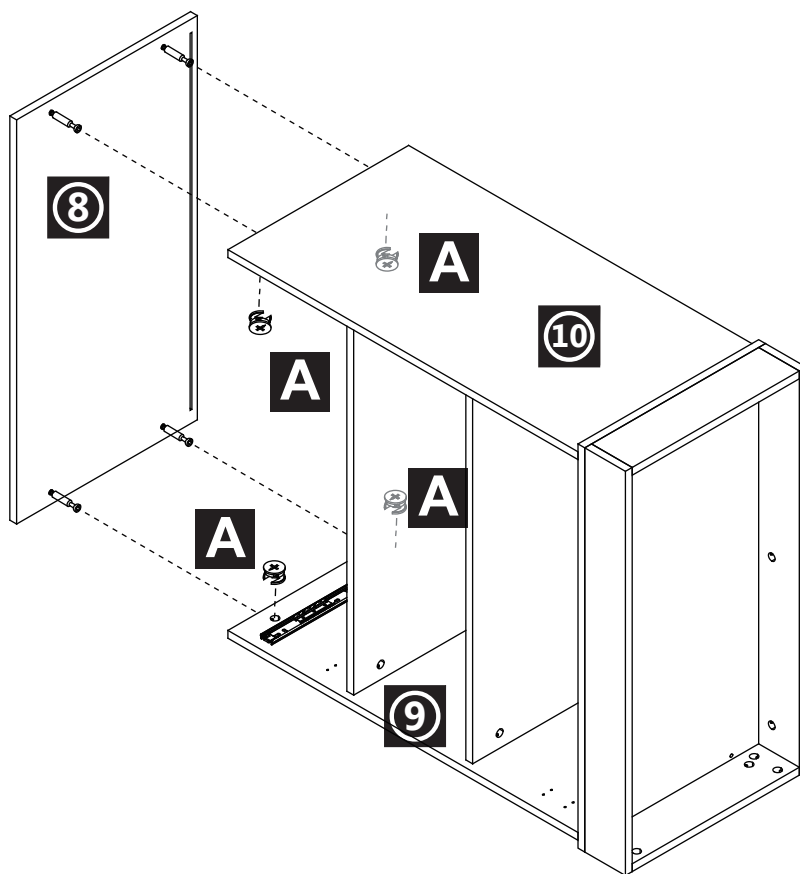
A x 4



B x 8

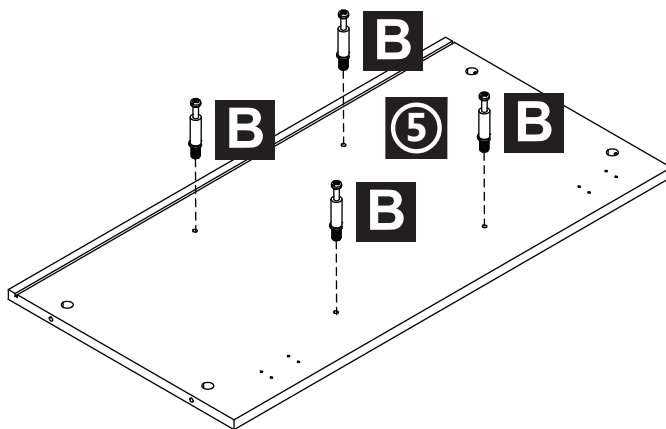


A x 4

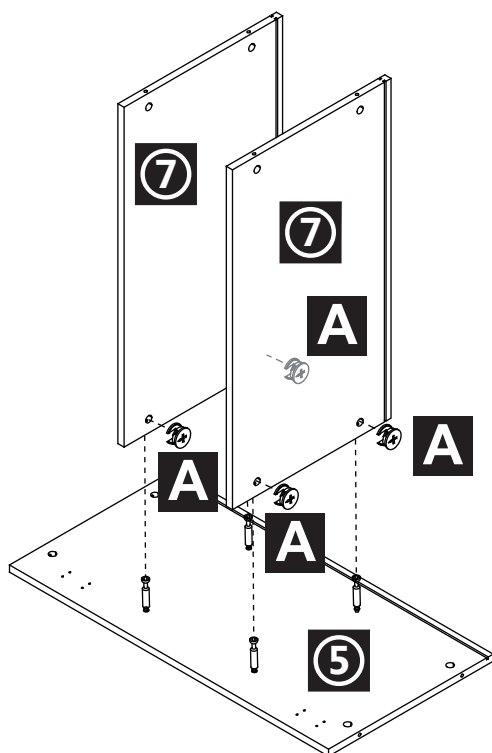


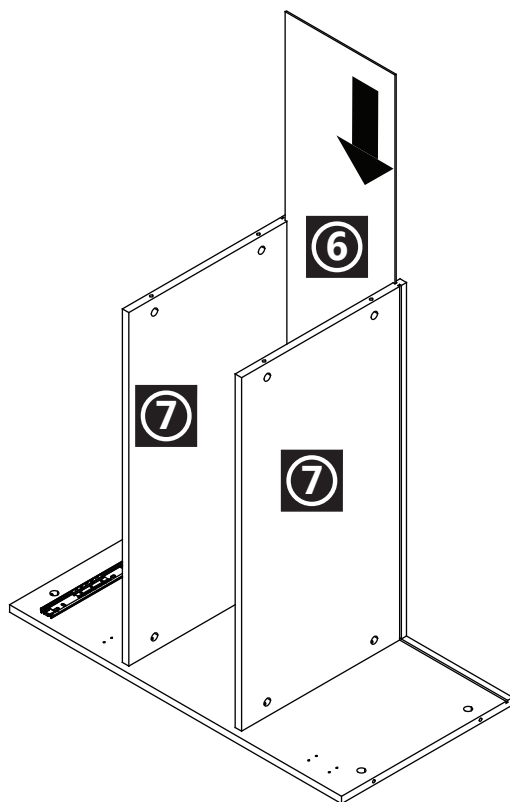
x2

B x 8

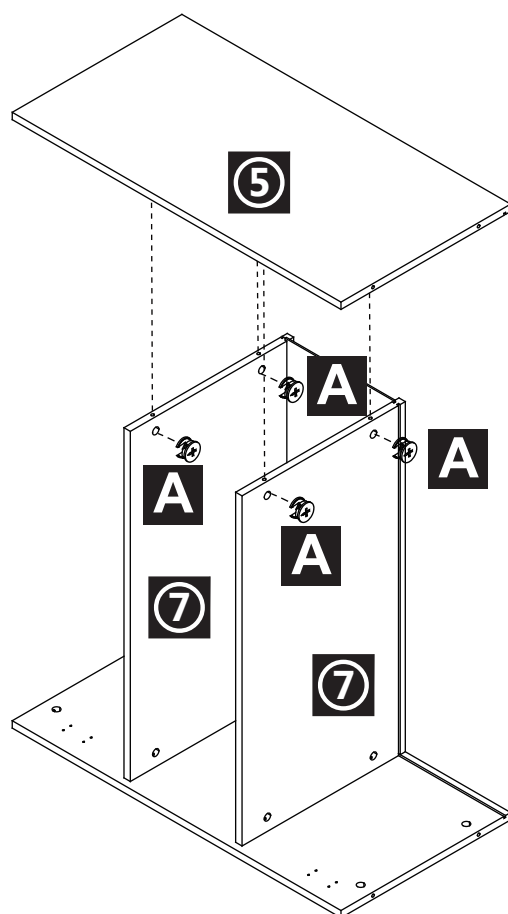


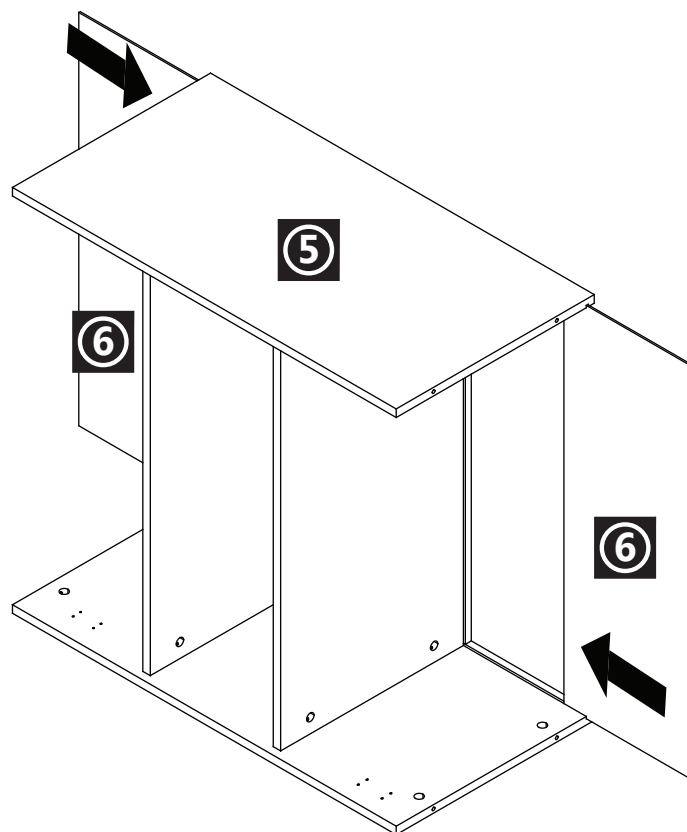
A x 4



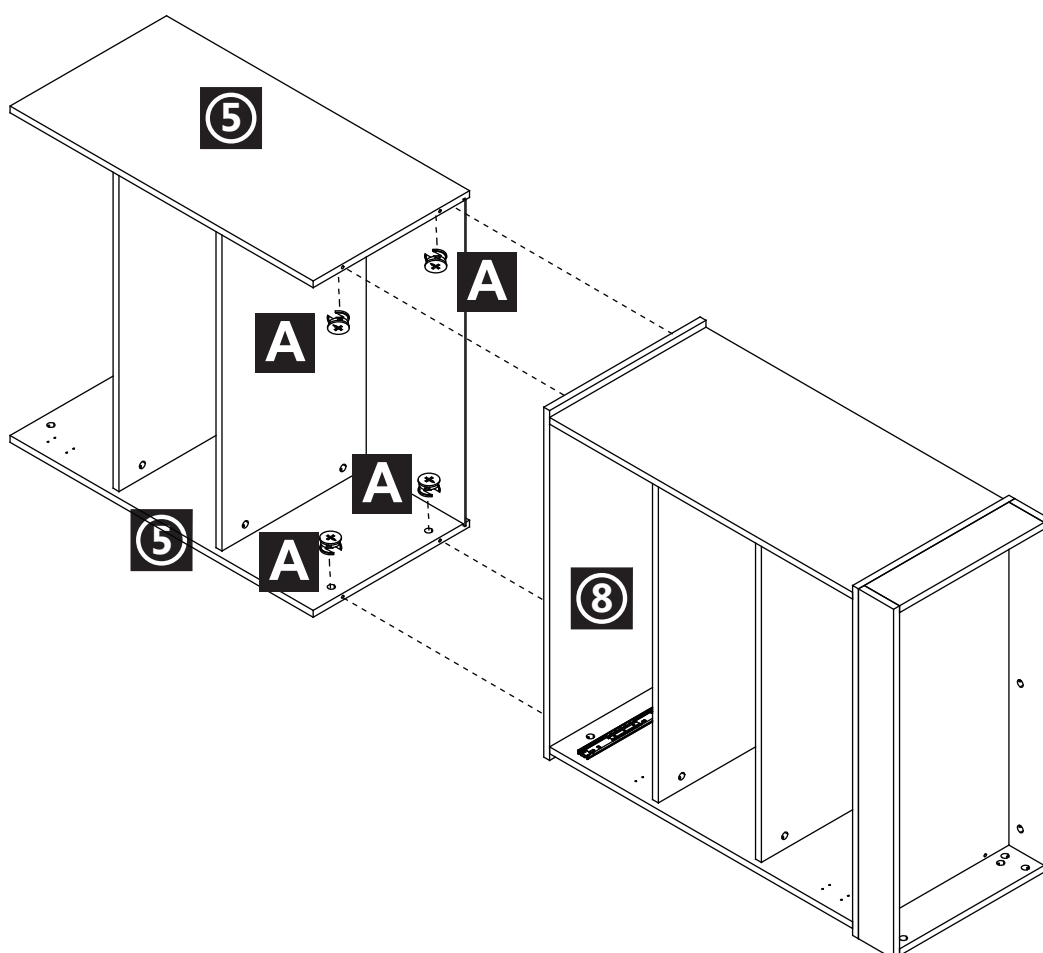


A x 4

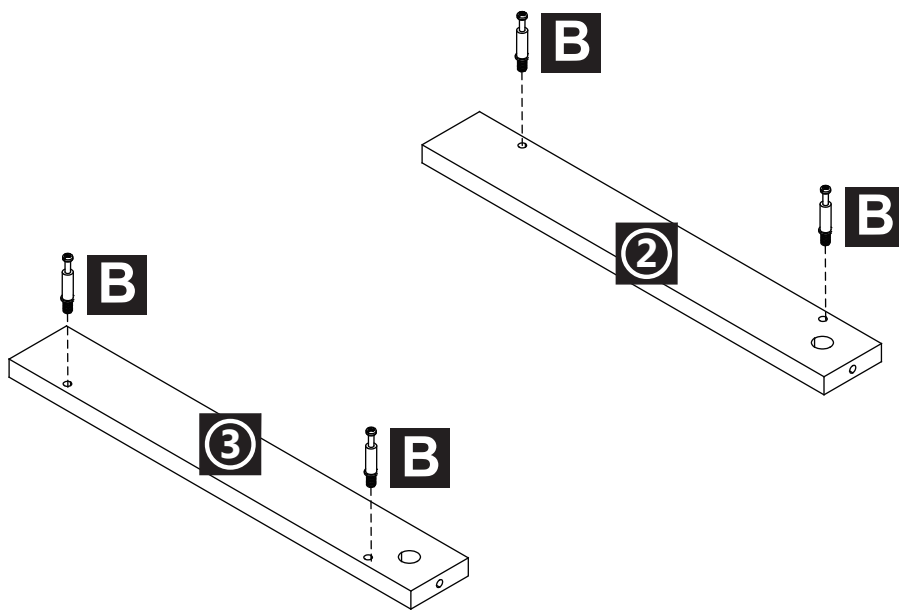




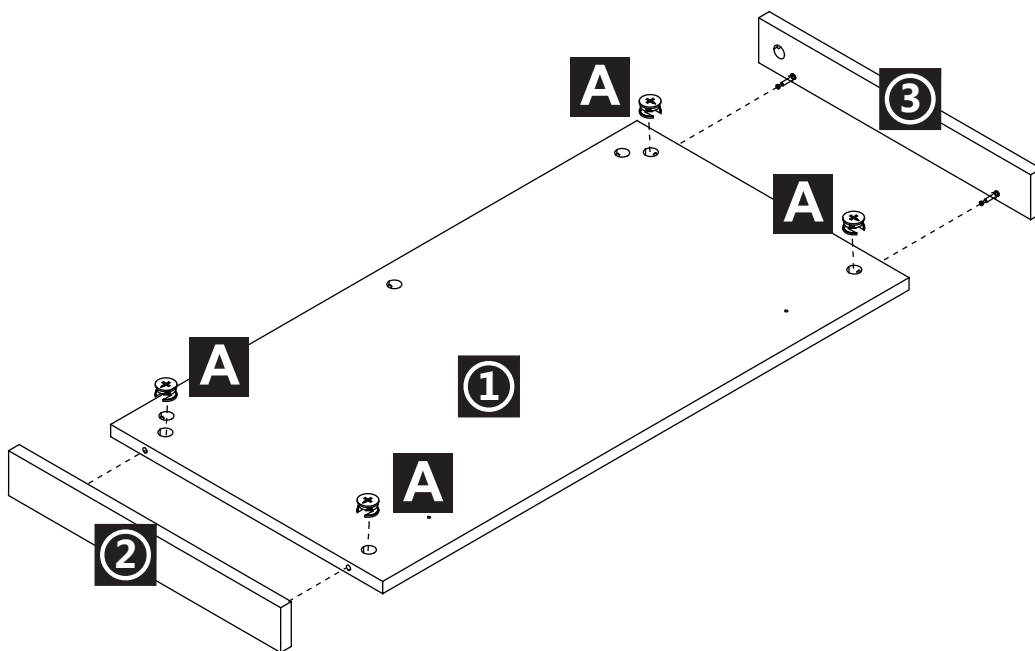
A x 4



B x 4

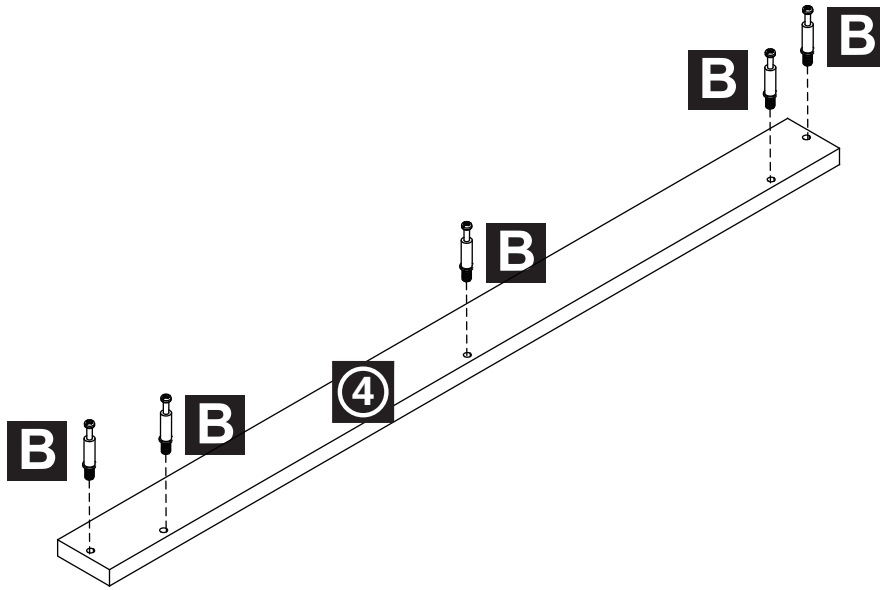


A x 4



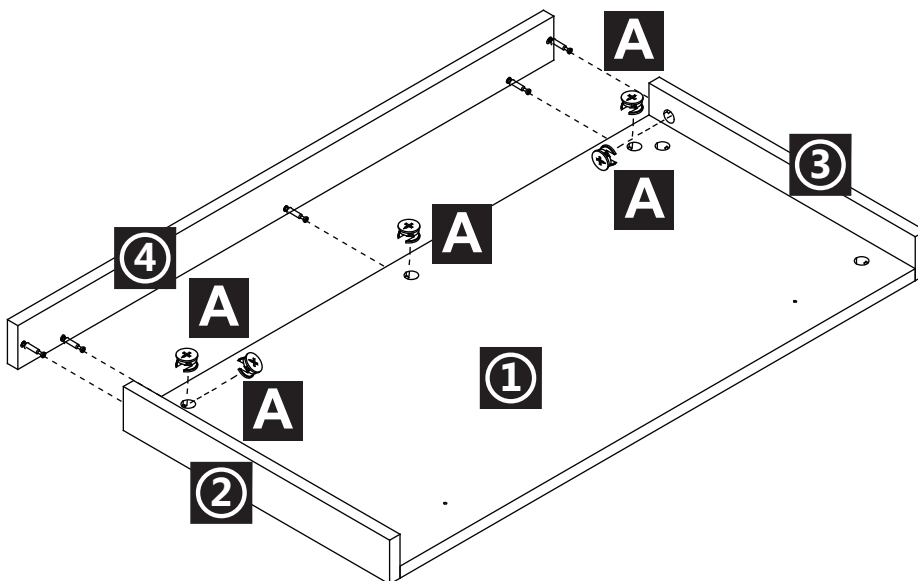
B x 5

21

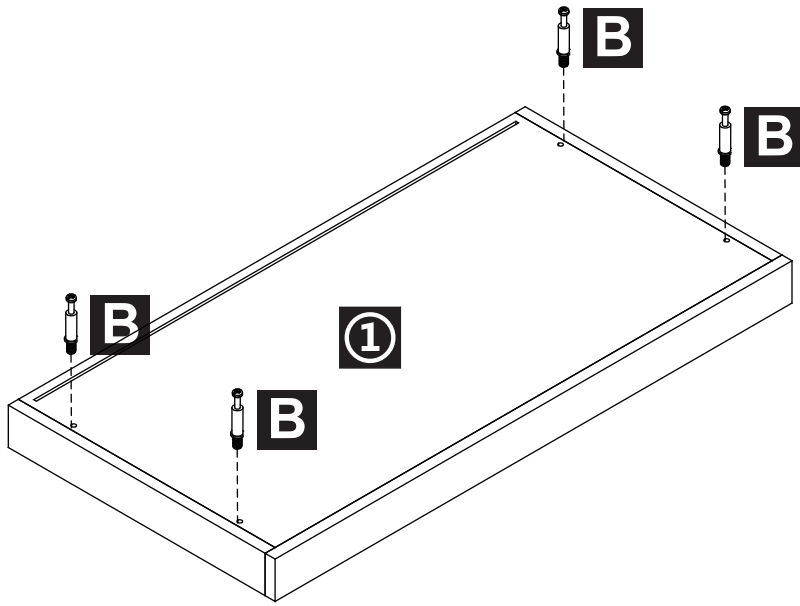


A x 5

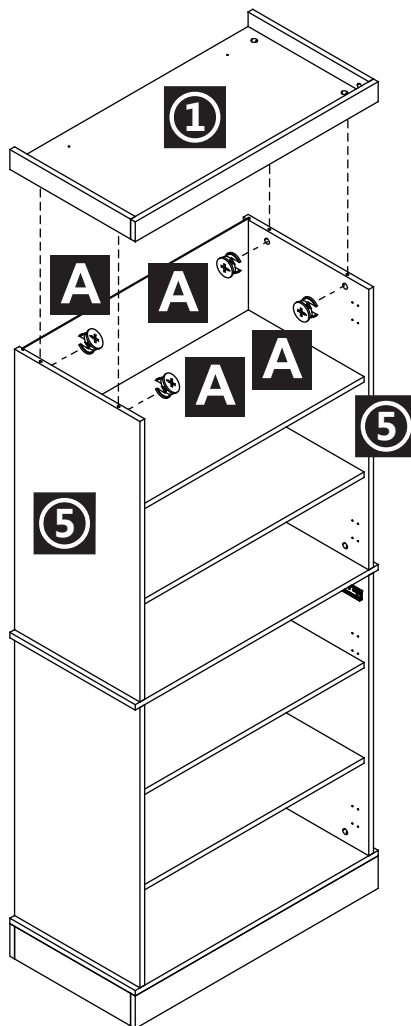
22



B x 4

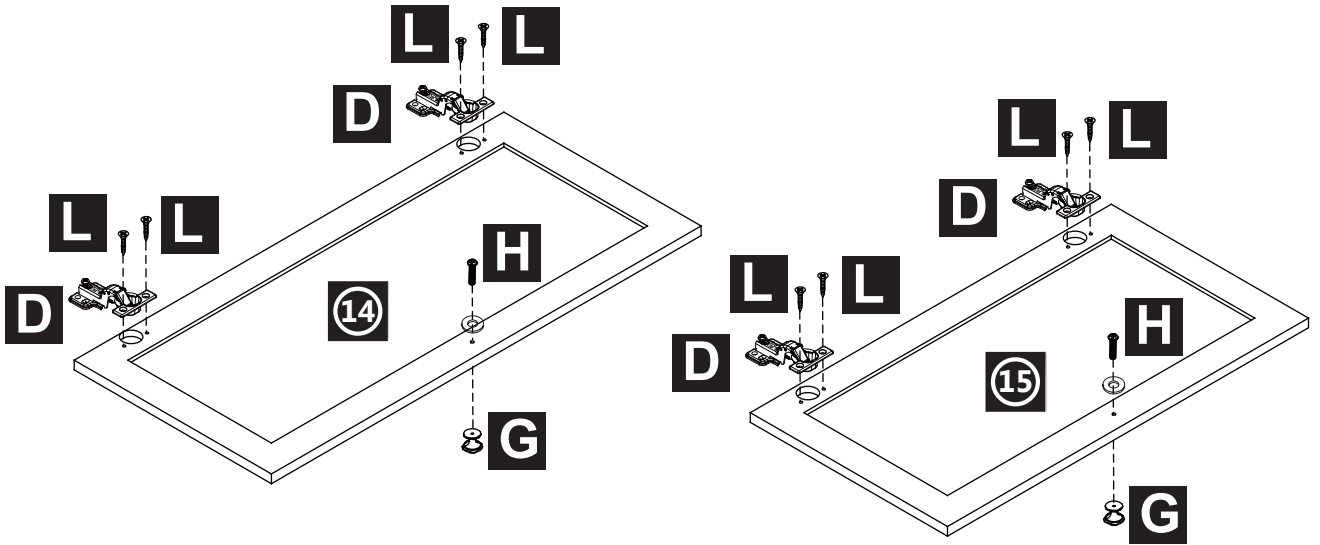


A x 4

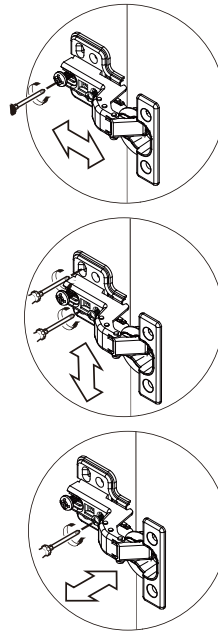
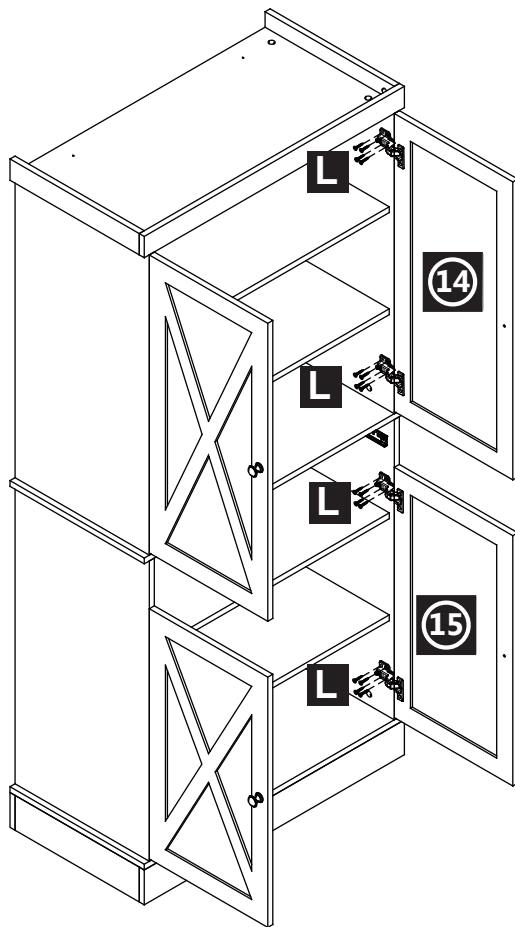


- D** x 8
- G** x 4
- H** x 4
- L** x 16

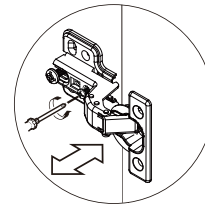
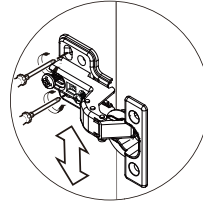
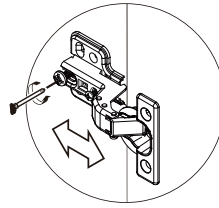
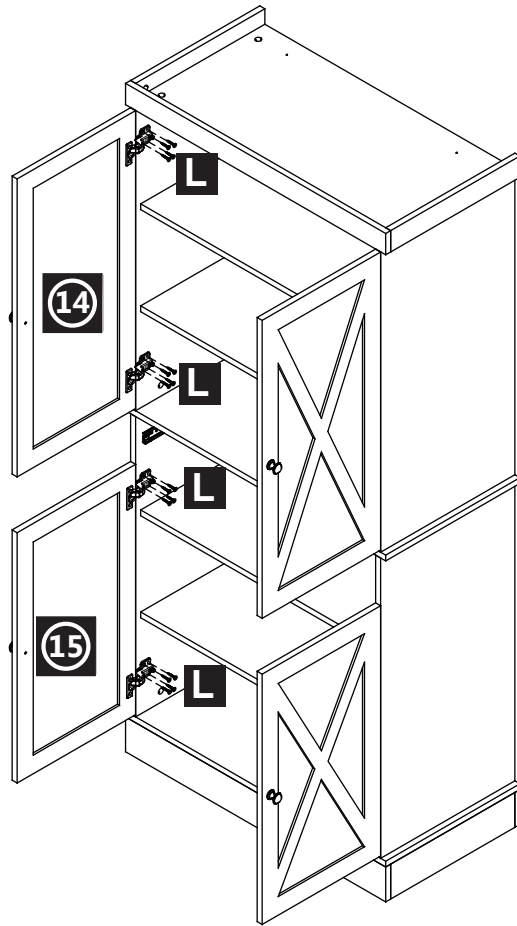
x2



- L** x 16

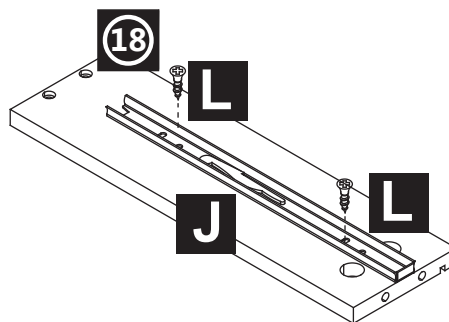
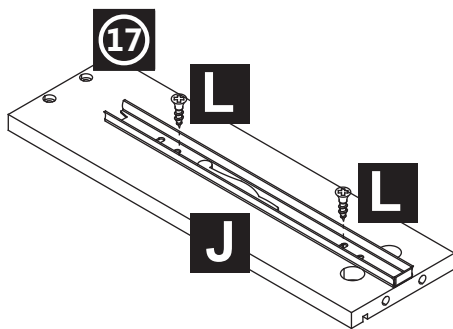
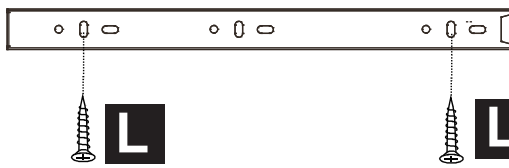


L x 16

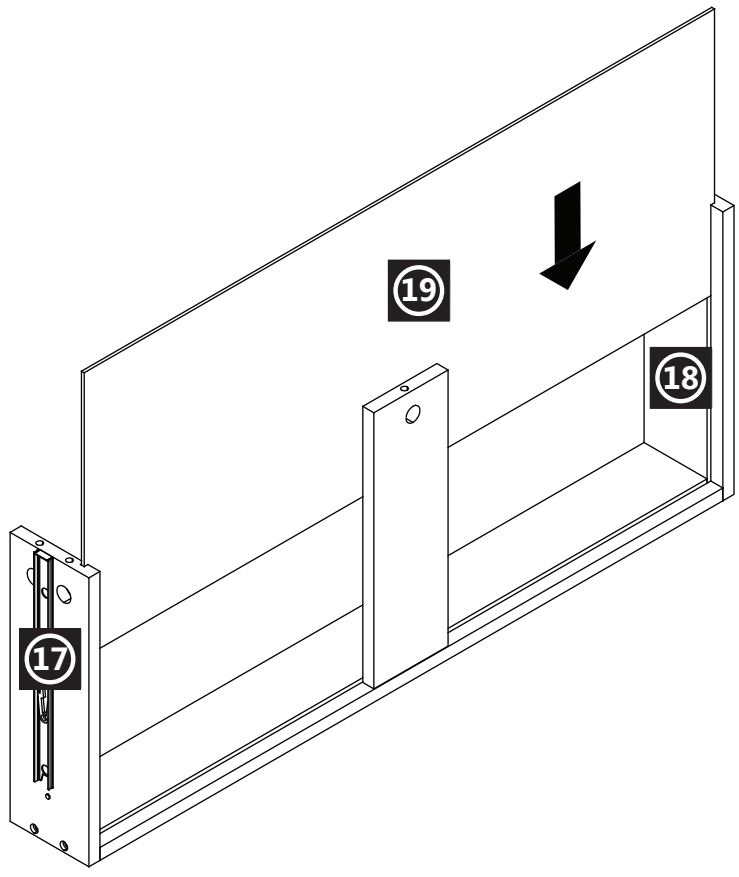
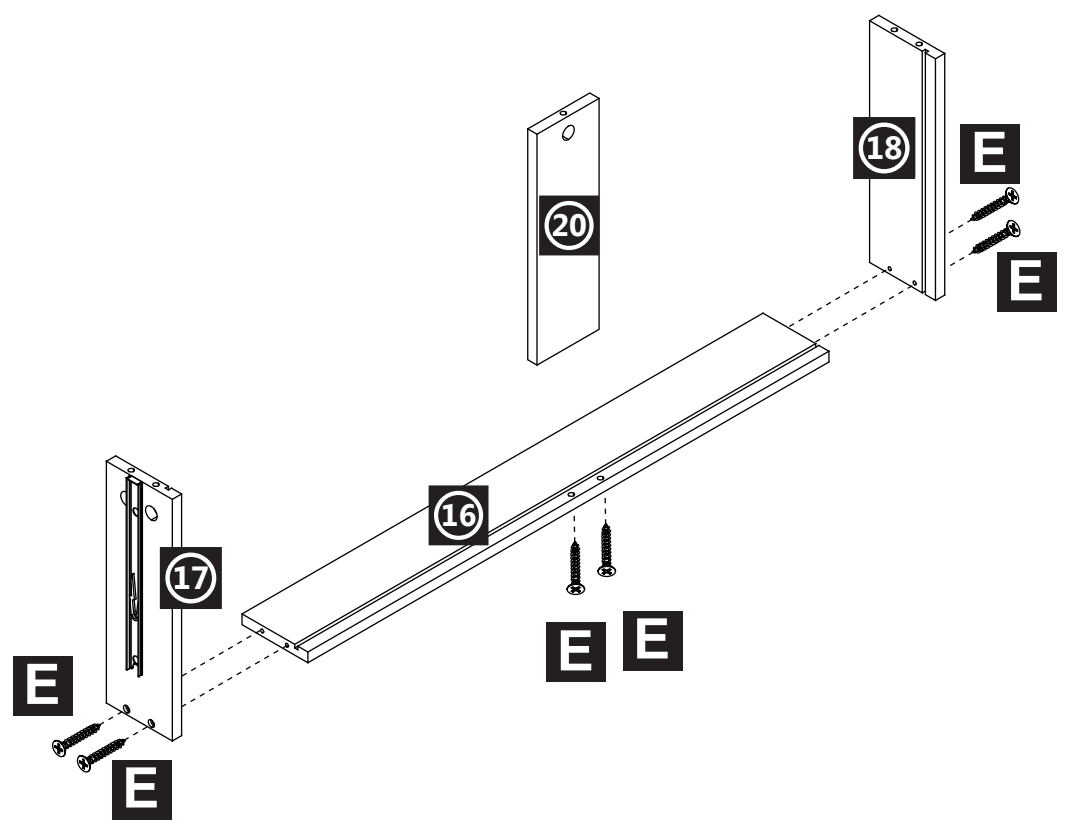


J x 2

L x 4



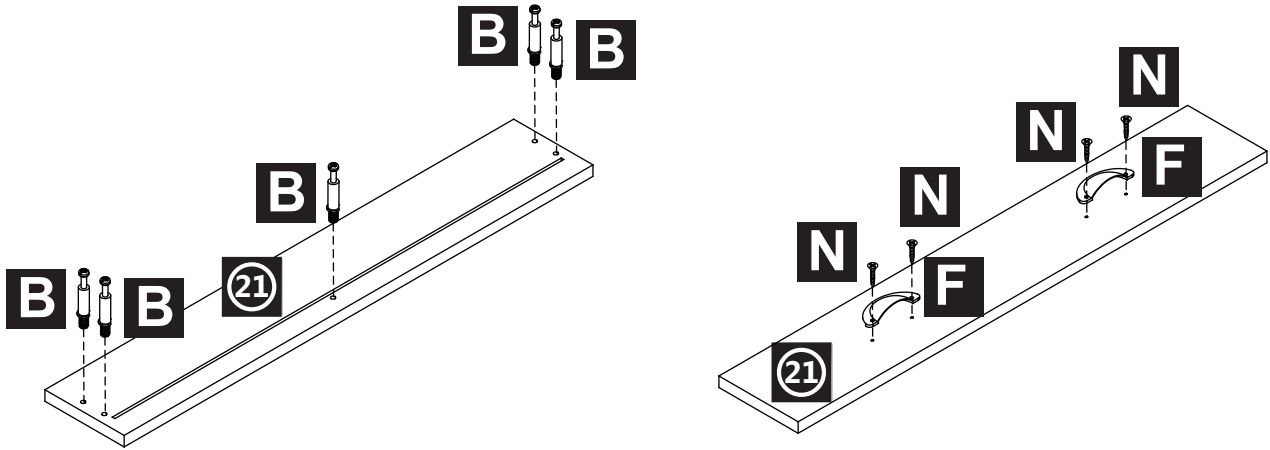
E x 6



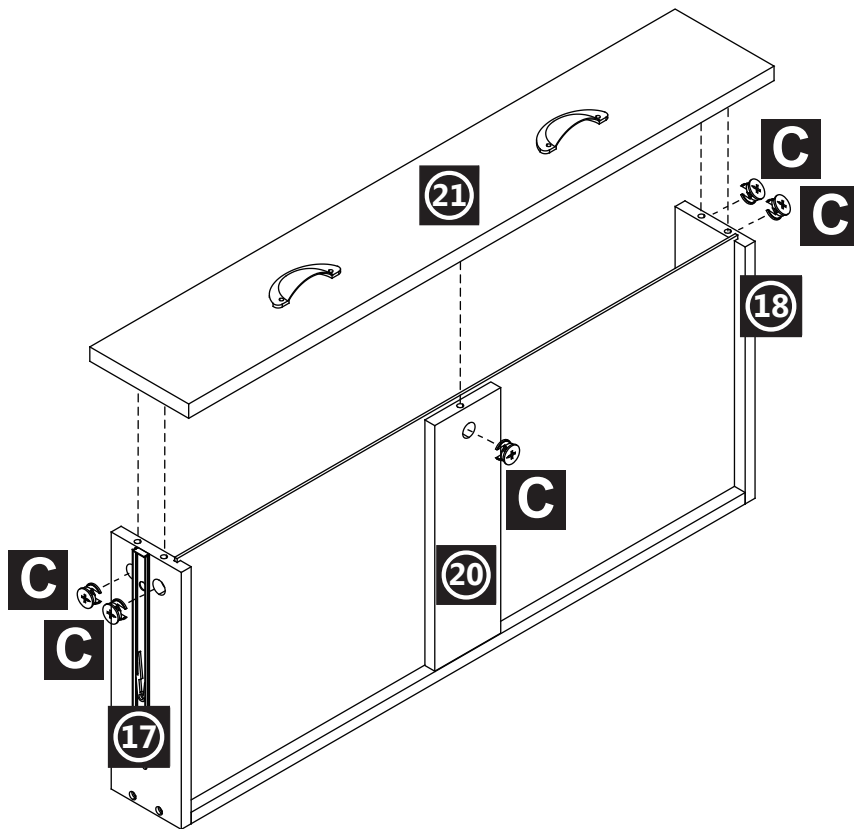
B x 5

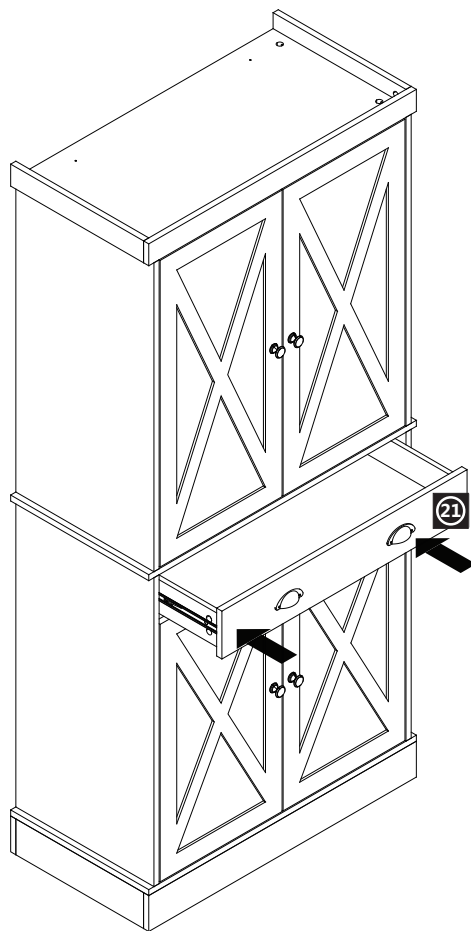
N x 4

F x 2

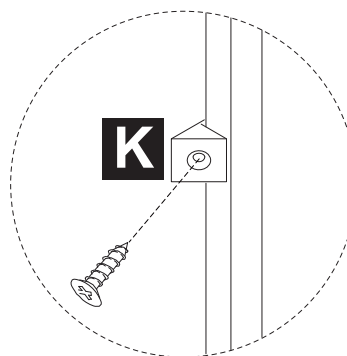
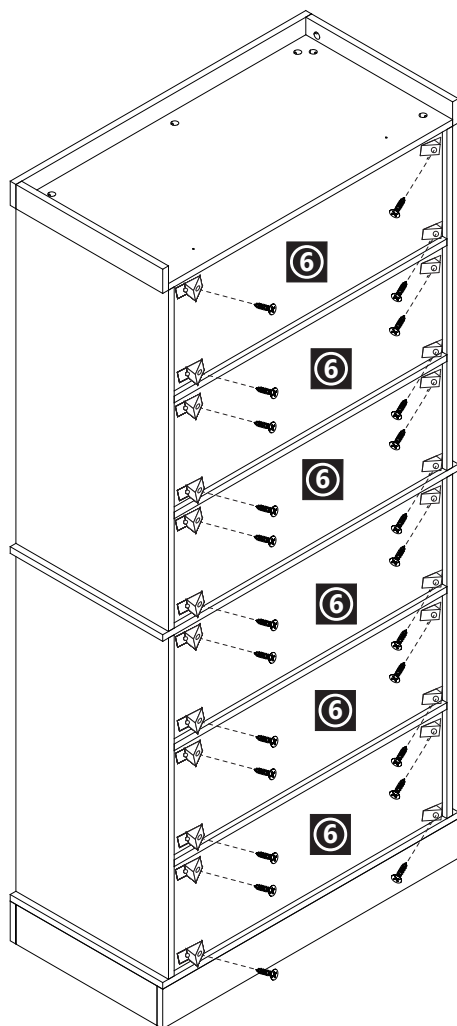


C x 5





K x24



M x 2

Done

