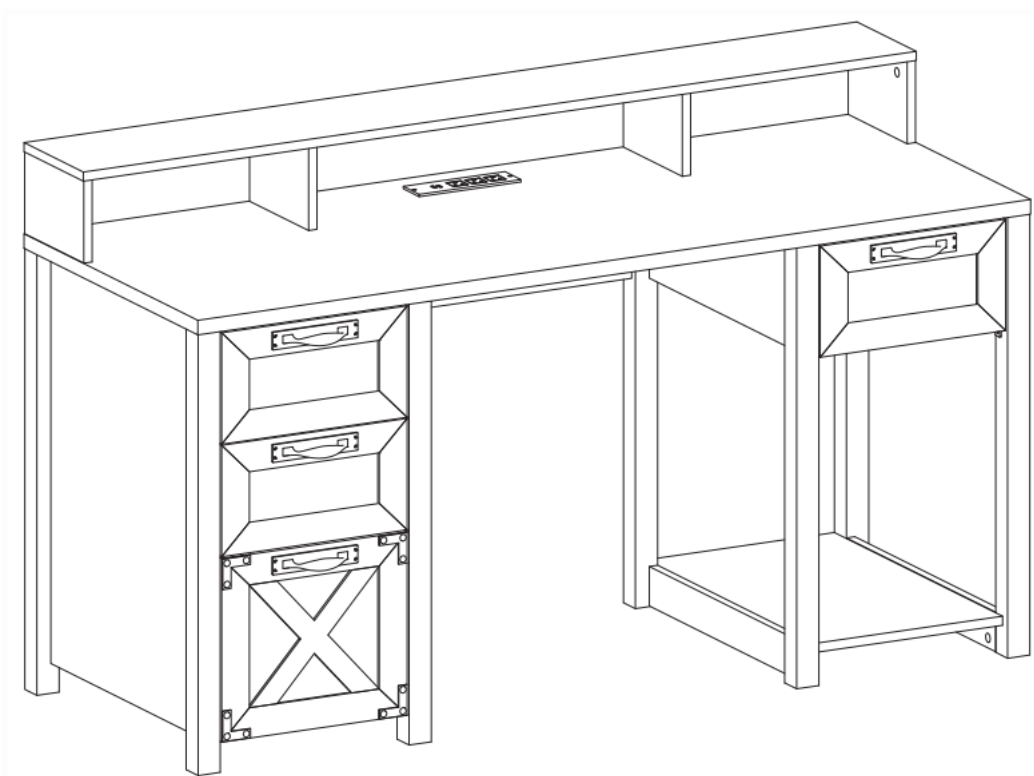
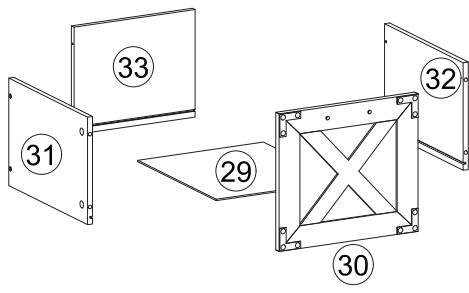
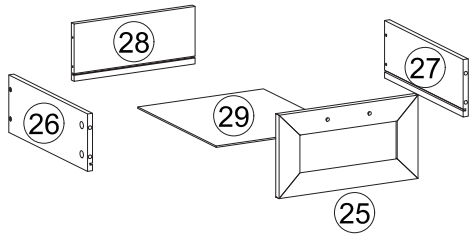
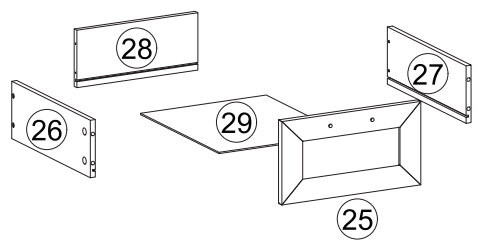
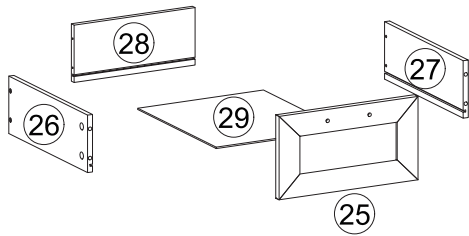
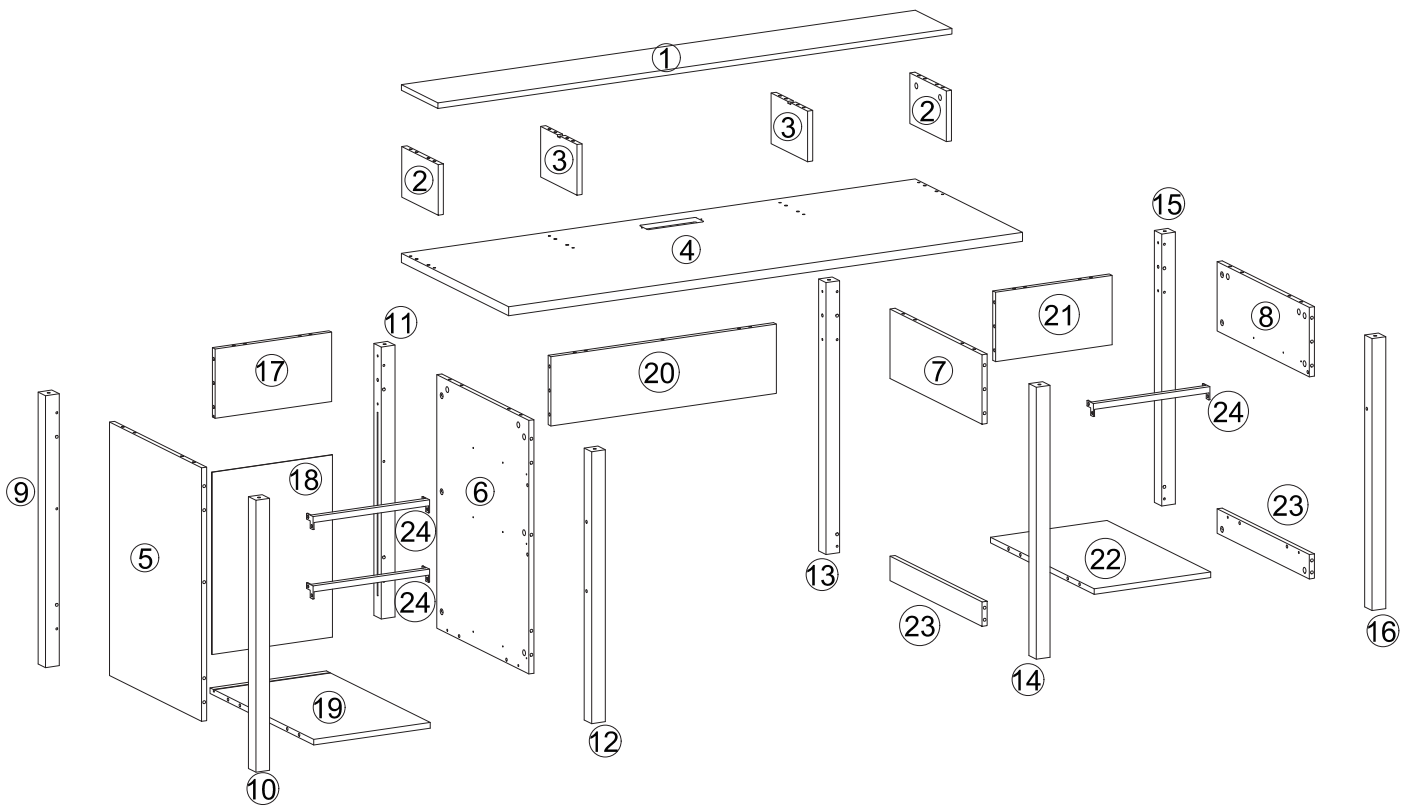

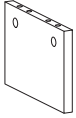
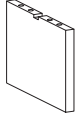
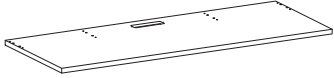
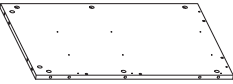
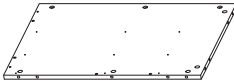
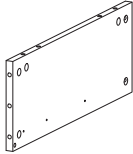
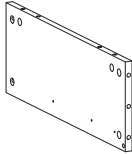
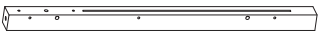
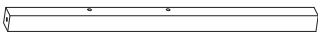


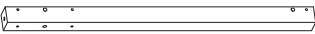
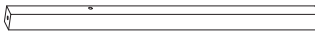
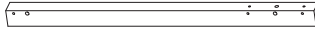

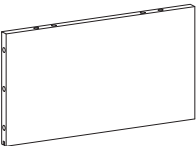

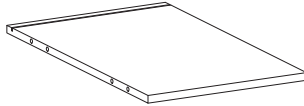
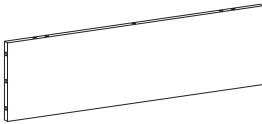
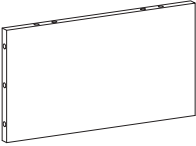
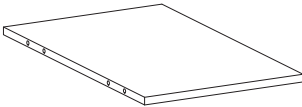
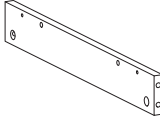

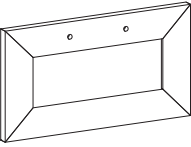
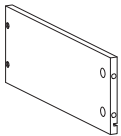
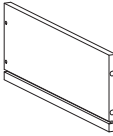
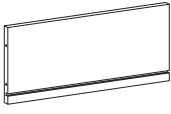


# Computer Desk

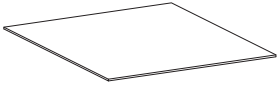




# Parts and Operation Elements

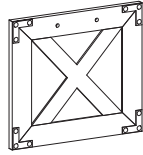
			
① 1PC	② 2PC	③ 2PCS	④ 1PC
			
⑤ 1PC	⑥ 1PC	⑦ 1PC	⑧ 1PC
			
⑨ 1PC	⑩ 1PC	⑪ 1PC	⑫ 1PC
			
⑬ 1PC	⑭ 1PCS	⑮ 1PCS	⑯ 1PC
			
⑰ 1PC	⑱ 1PCS	⑲ 1PCS	⑳ 1PCS
			
㉑ 1PCS	㉒ 1PCS	㉓ 2PCS	㉔ 3PCS
			
㉕ 3PCS	㉖ 3PCS	㉗ 3PCS	㉘ 3PC

# Parts and Operation Elements



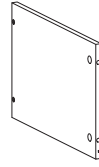
29

4PC



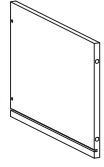
30

1PC



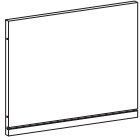
31

1PCS



32

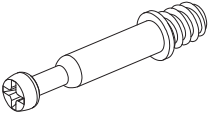

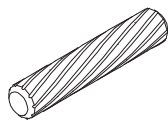
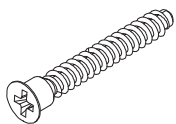
1PC

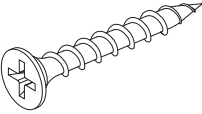
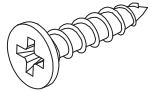
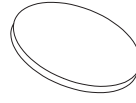
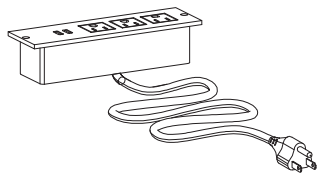


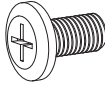

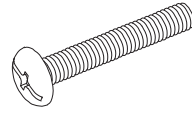
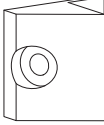
33

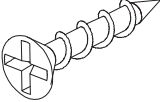
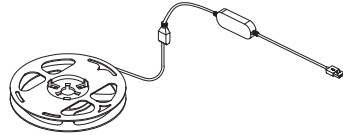


1PC

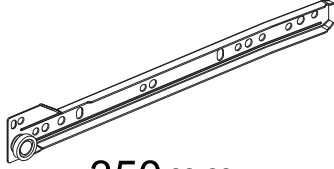
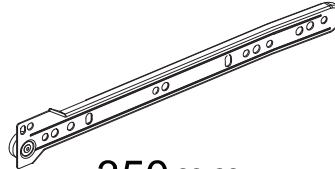


# Hardware

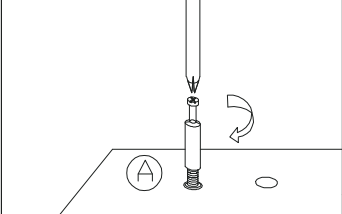
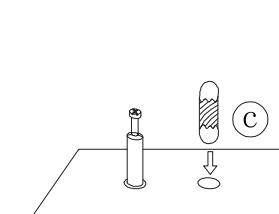
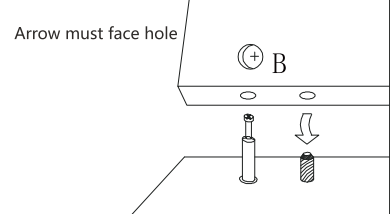
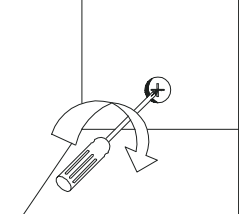
			
<b>6x33.5mm Cam Bolt</b>	<b>15x9mm Cam Lock</b>	<b>8x30mm Dowel</b>	<b>5x48mm Screw</b>
<b>(A) x83+2</b>	<b>(B) x83+2</b>	<b>(C) x68+2</b>	<b>(D) x8+1</b>

			
<b>4x30mm Screw</b>	<b>3.5x12mm Screw</b>	<b>30mm</b>	
<b>(E) x16+2</b>	<b>(F) x58+2</b>	<b>(G) x83+2</b>	<b>(H) x1</b>

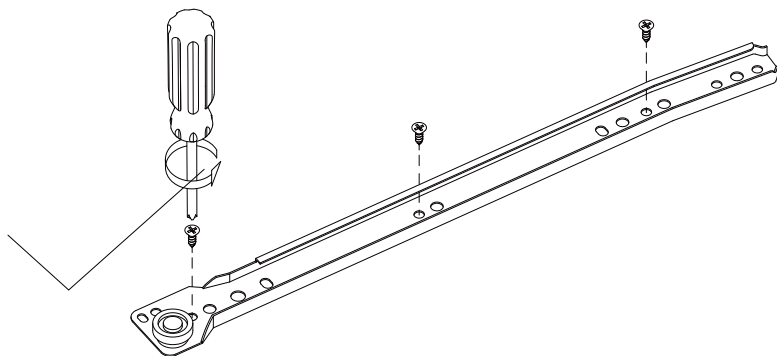
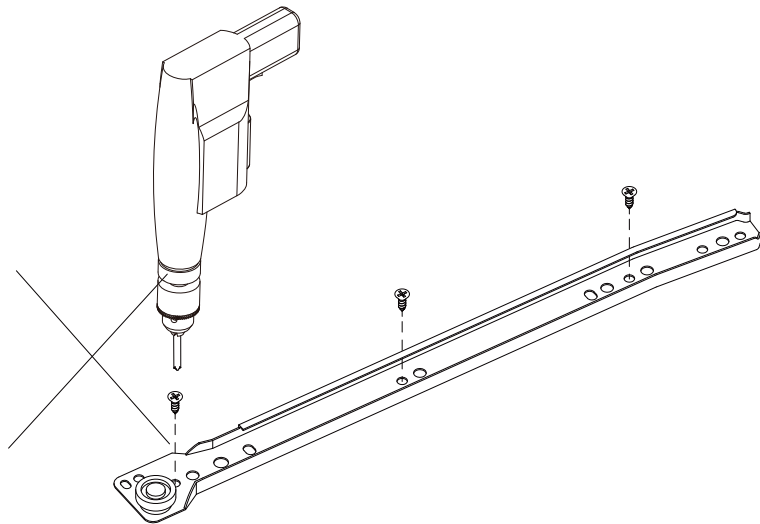
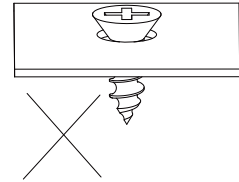
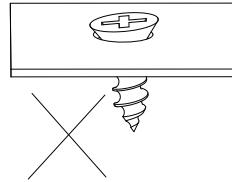
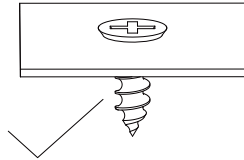
			
<b>6x10mm Screw</b>		<b>4x16mm Screw</b>	
<b>(I) x12+1</b>	<b>(J) x4</b>	<b>(K) x8</b>	<b>(L) x4</b>

			
<b>3x16mm Screw</b>	<b>L1400mm</b>		<b>3x12mm Screw</b>
<b>(M) x4</b>	<b>(N) x1</b>	<b>(O) x7</b>	<b>(P) x7</b>

			
<b>350mm</b>	<b>350mm</b>	<b>350mm</b>	<b>350mm</b>
<b>(CL) x4</b>	<b>(CR) x4</b>	<b>(DL) x4</b>	<b>(DR) x4</b>

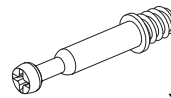
			
Gently screw cam bolt into the threaded anchor.	Insert the wood dowel halfway into hole.	Arrow must face hole	Screw the camlock firmly into locked position.

**Please kindly note the following points when you assemble the sliders of the drawers**

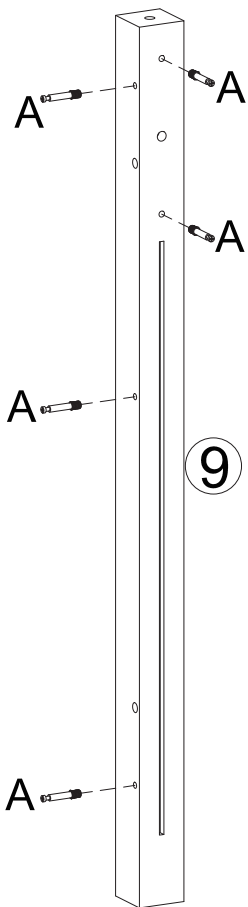


1

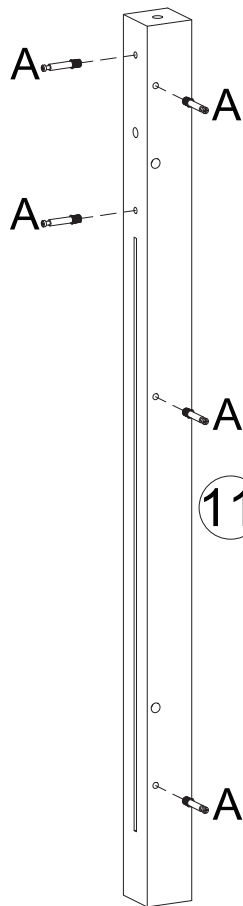
A



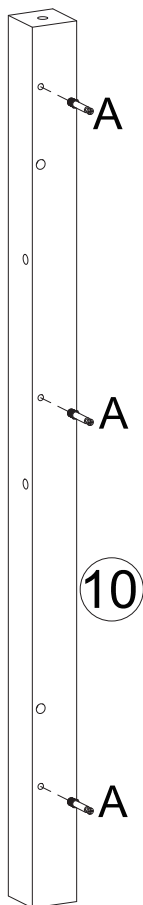
x16



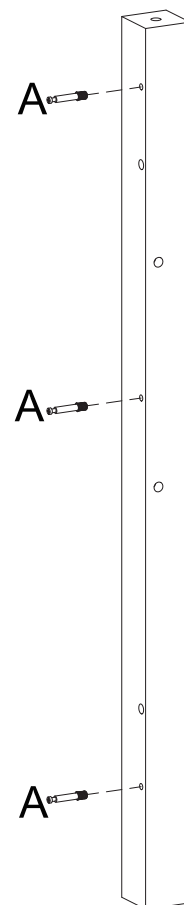
9



11

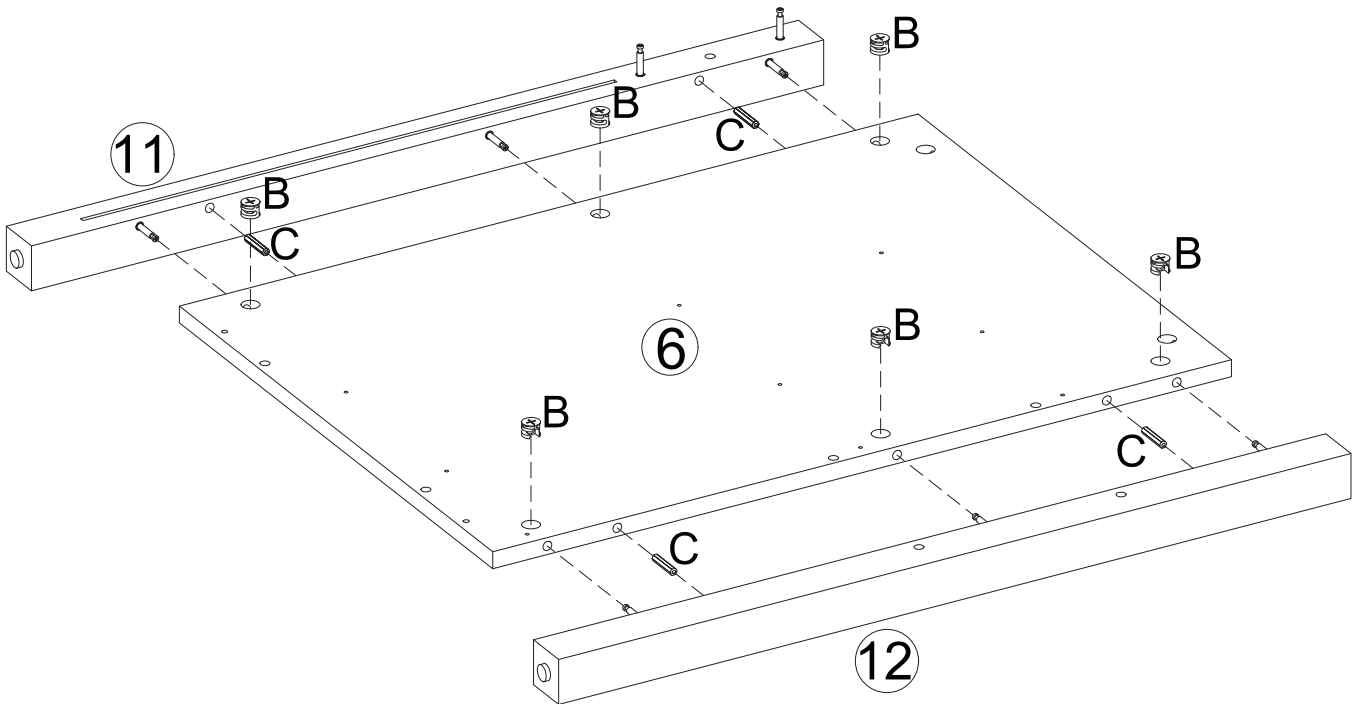
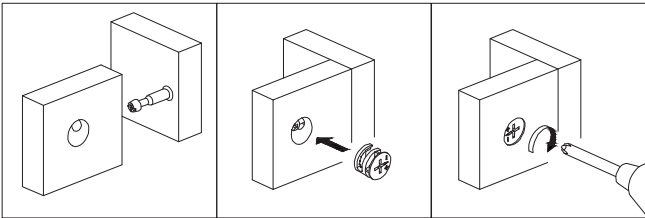
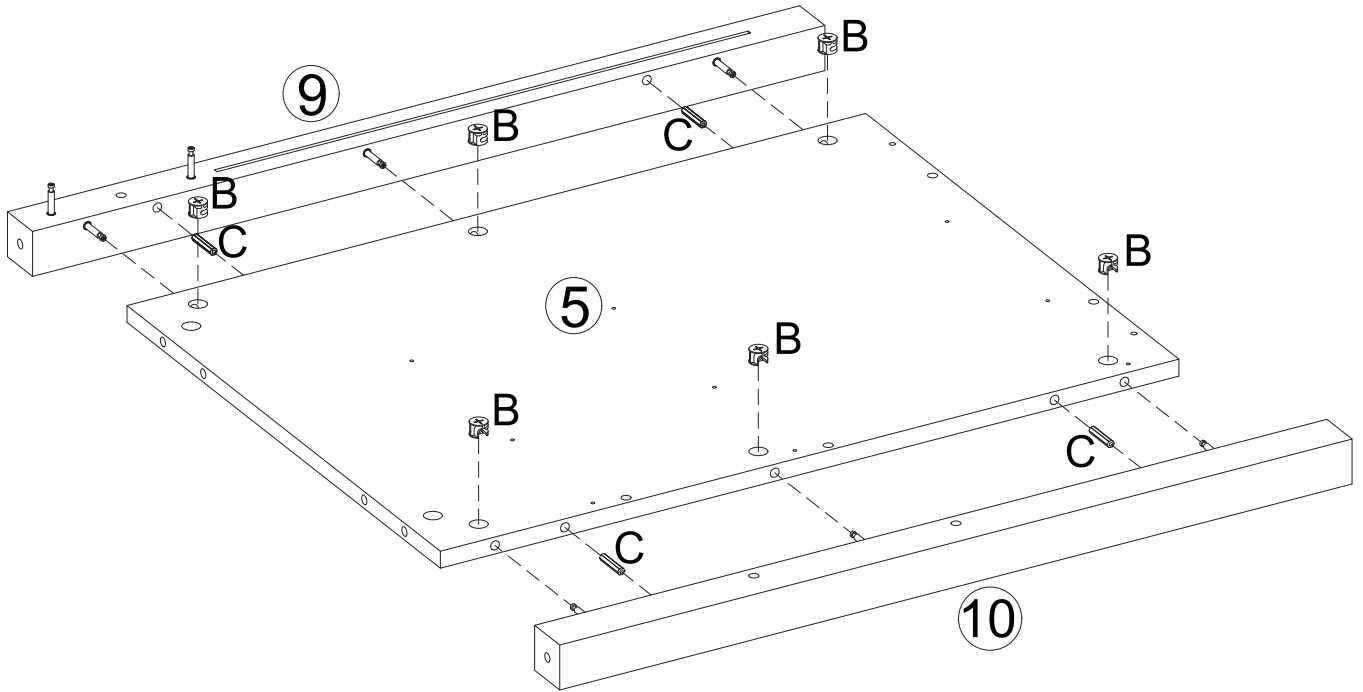
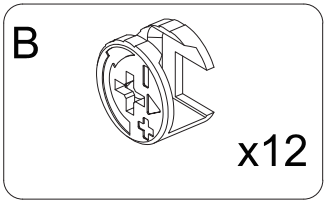
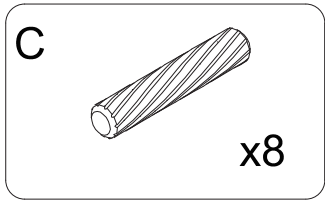


10



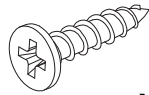
12

2



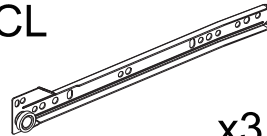
3

F



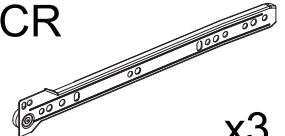
x24

CL

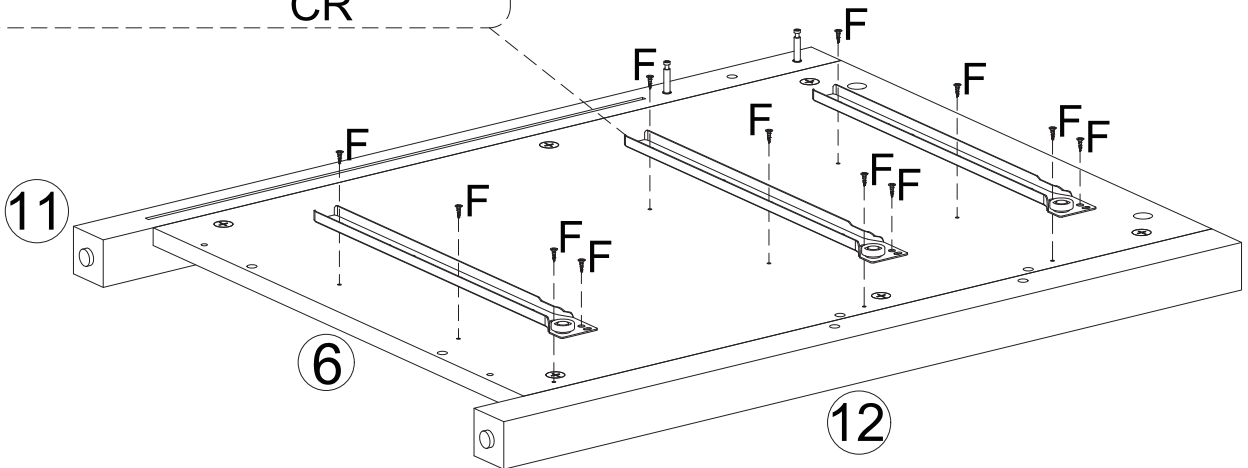
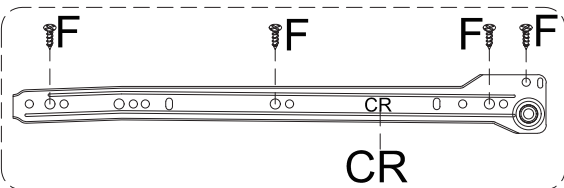
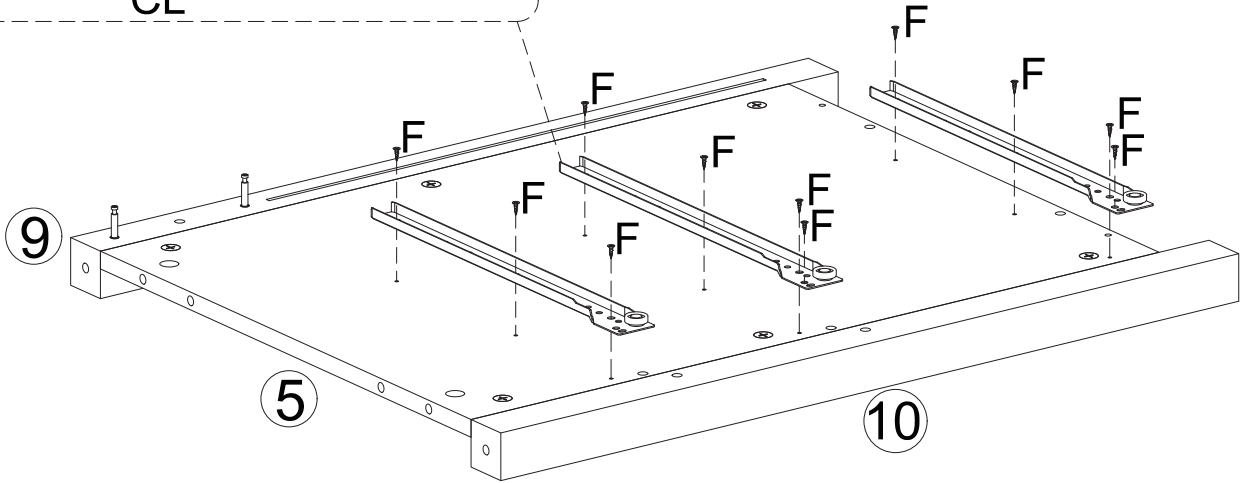
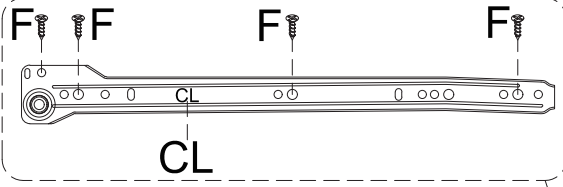


x3

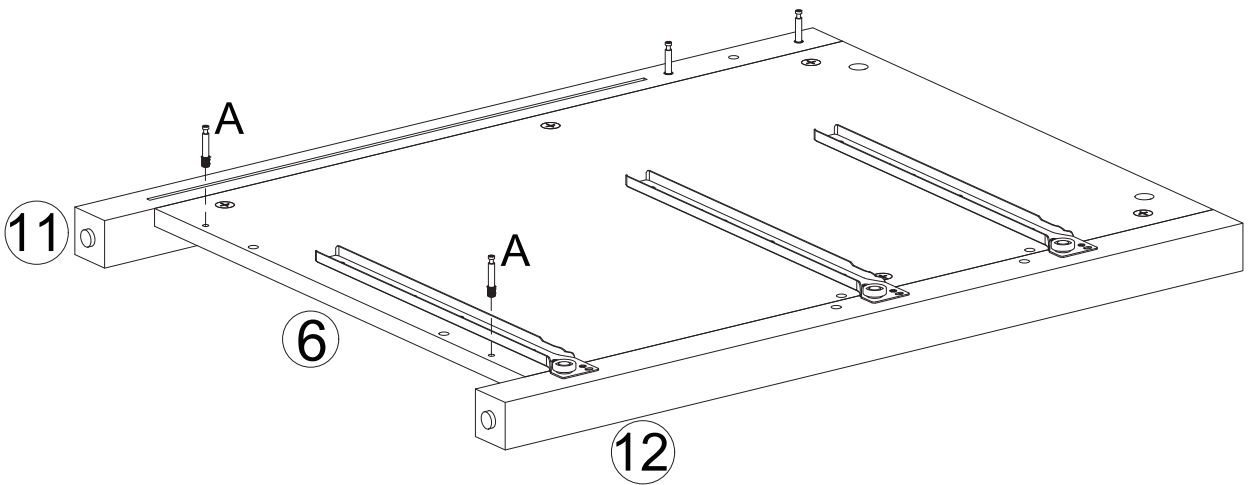
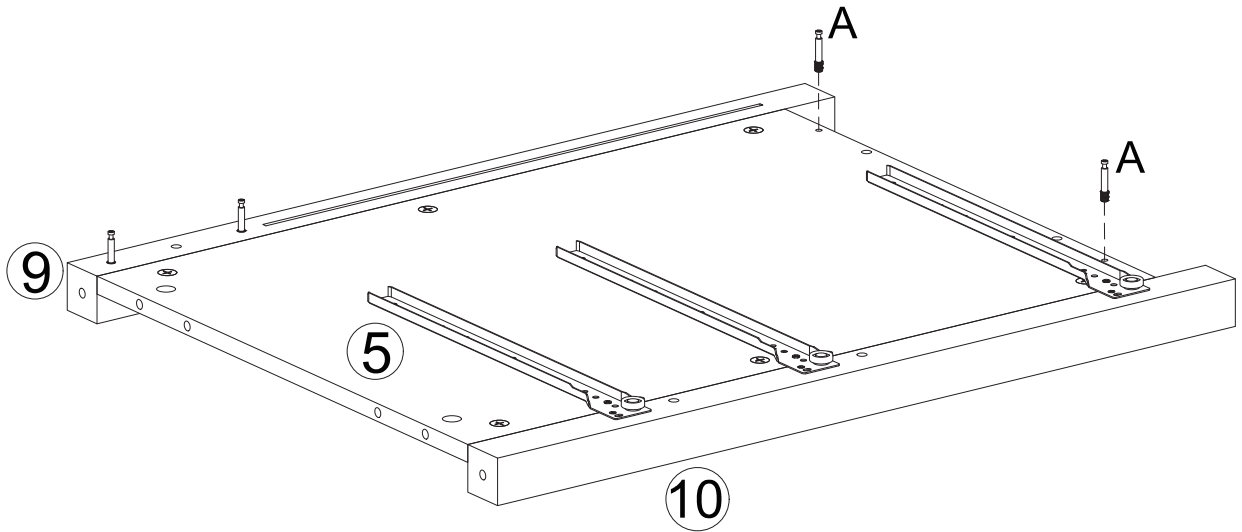
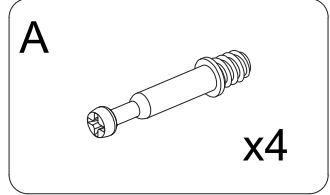
CR



x3

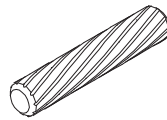


4



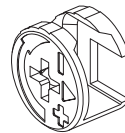
5

C

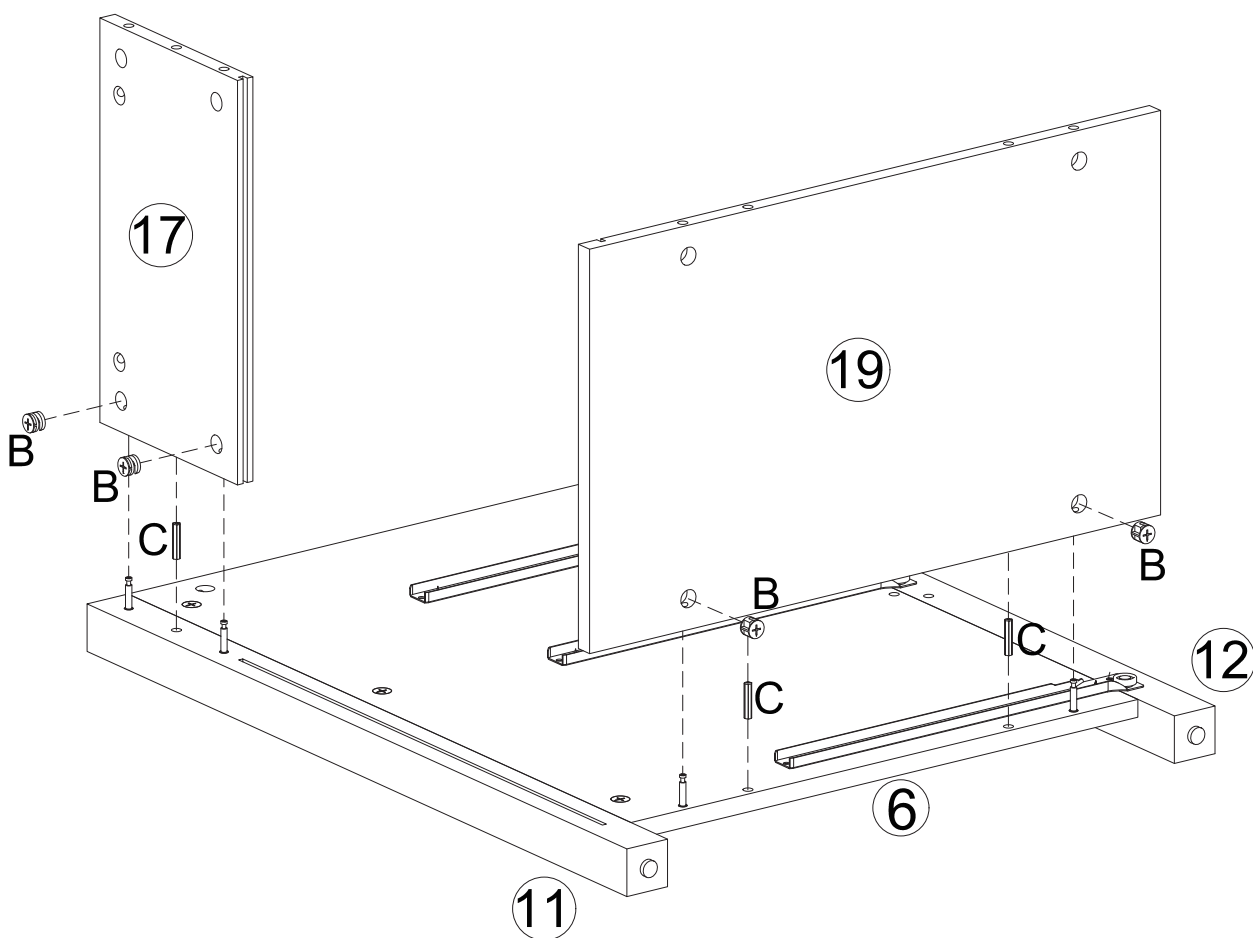
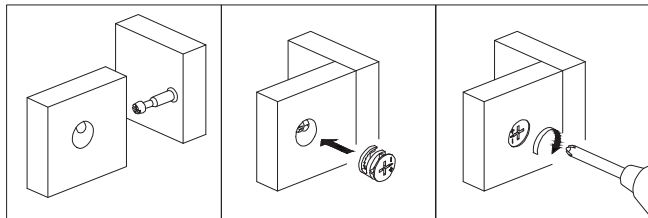


x3

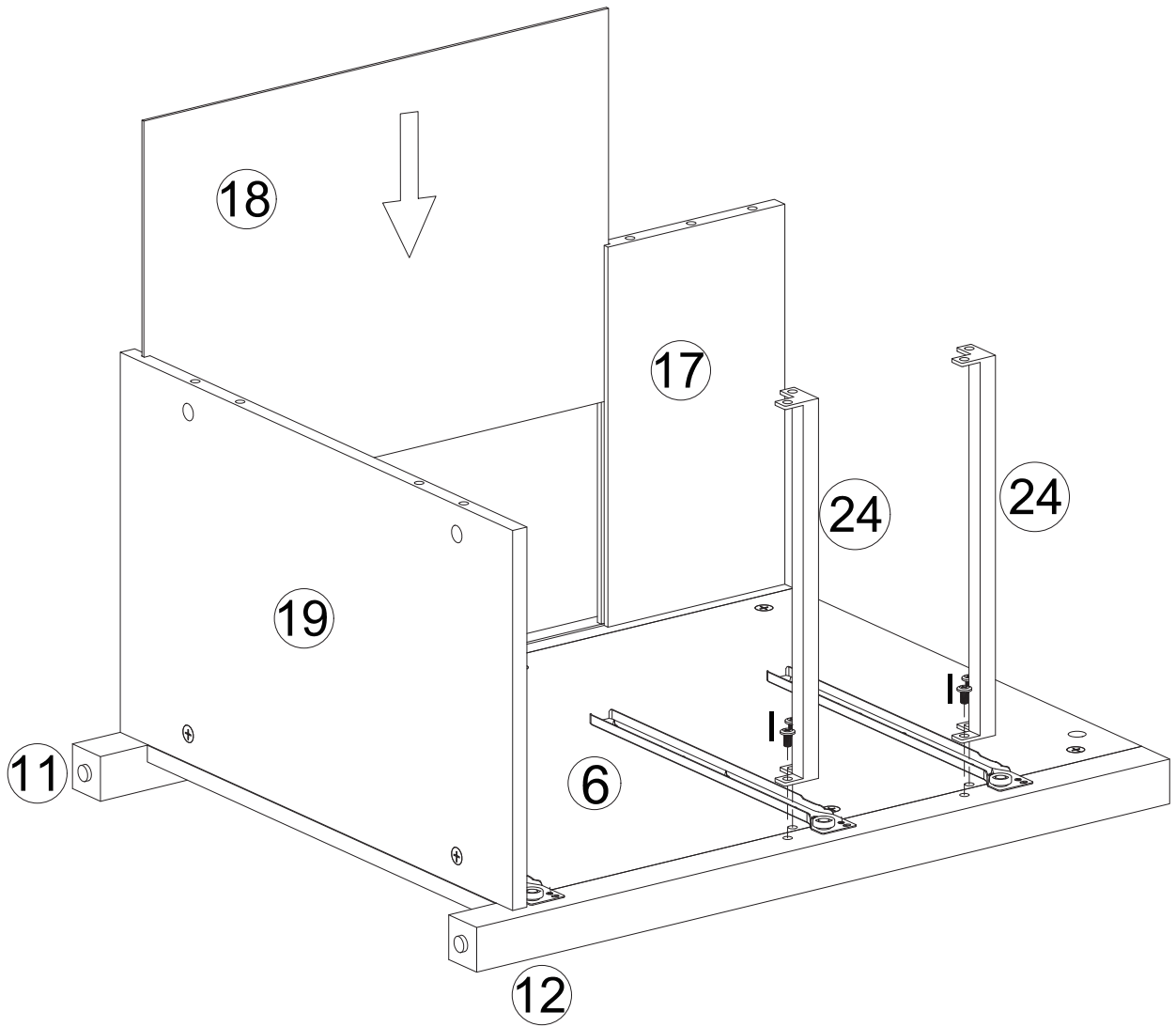
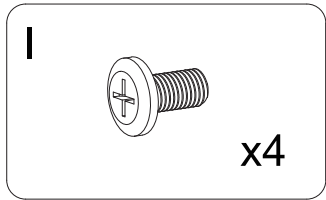
B



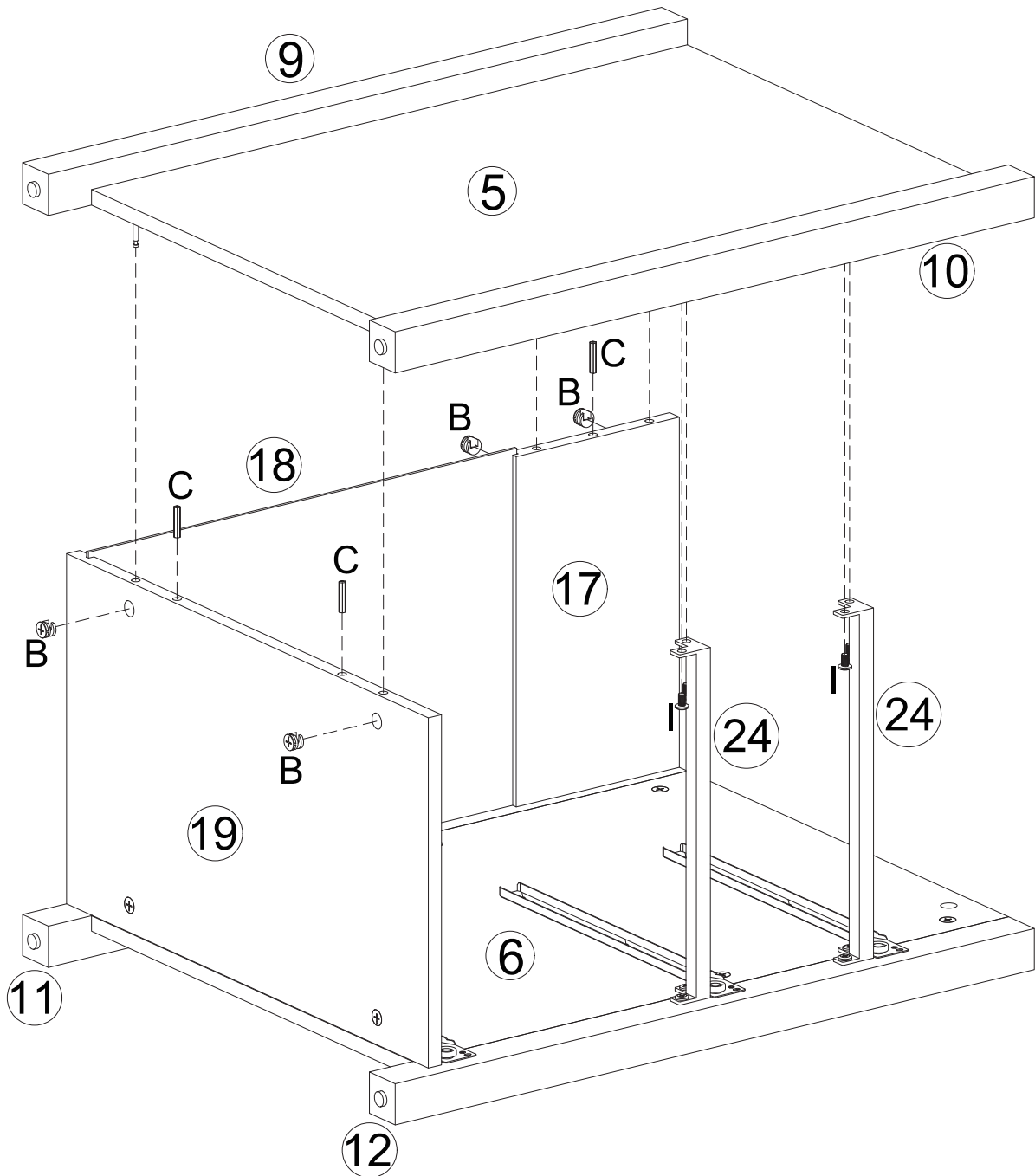
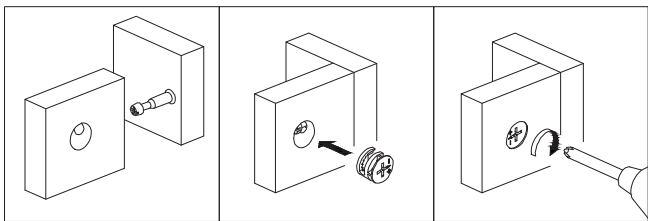
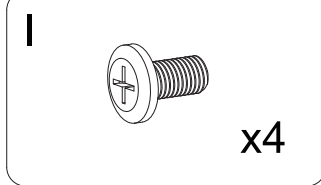
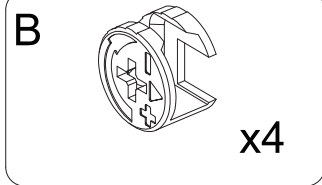
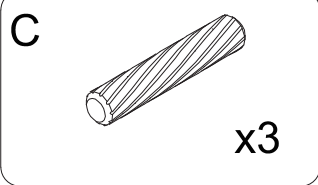
x4



6

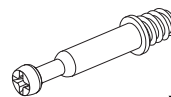


7

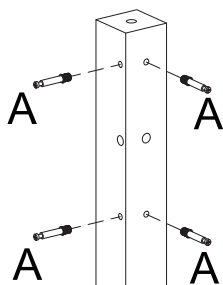


8

A



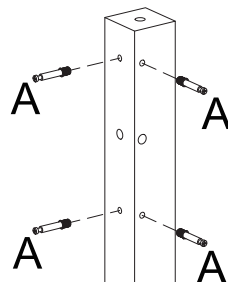
x16



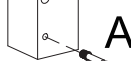
13



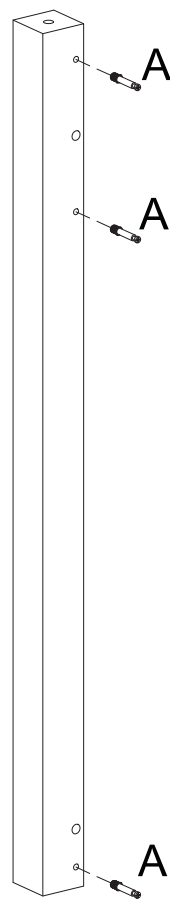
14



15

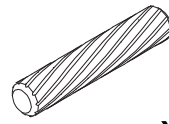


16



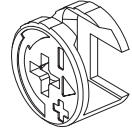
9

C

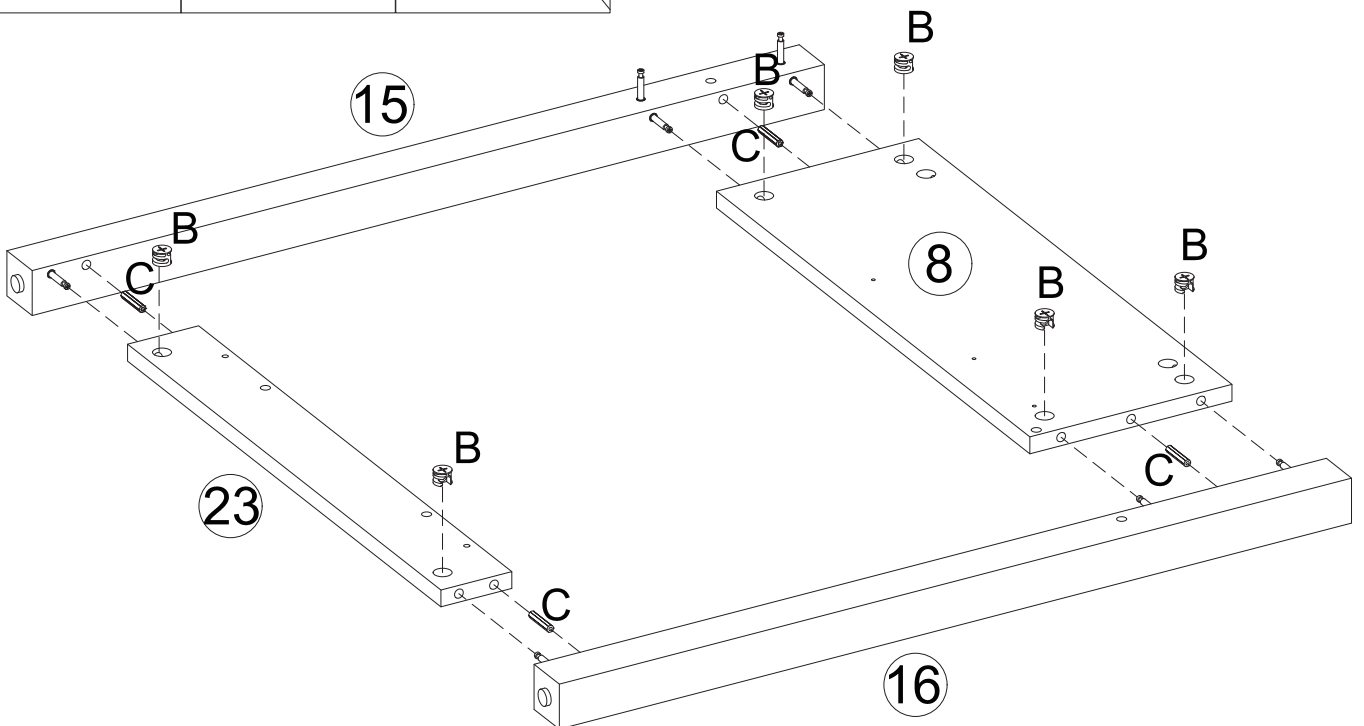
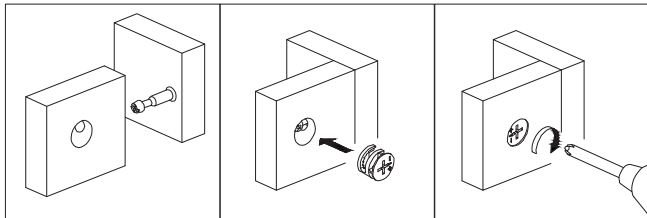
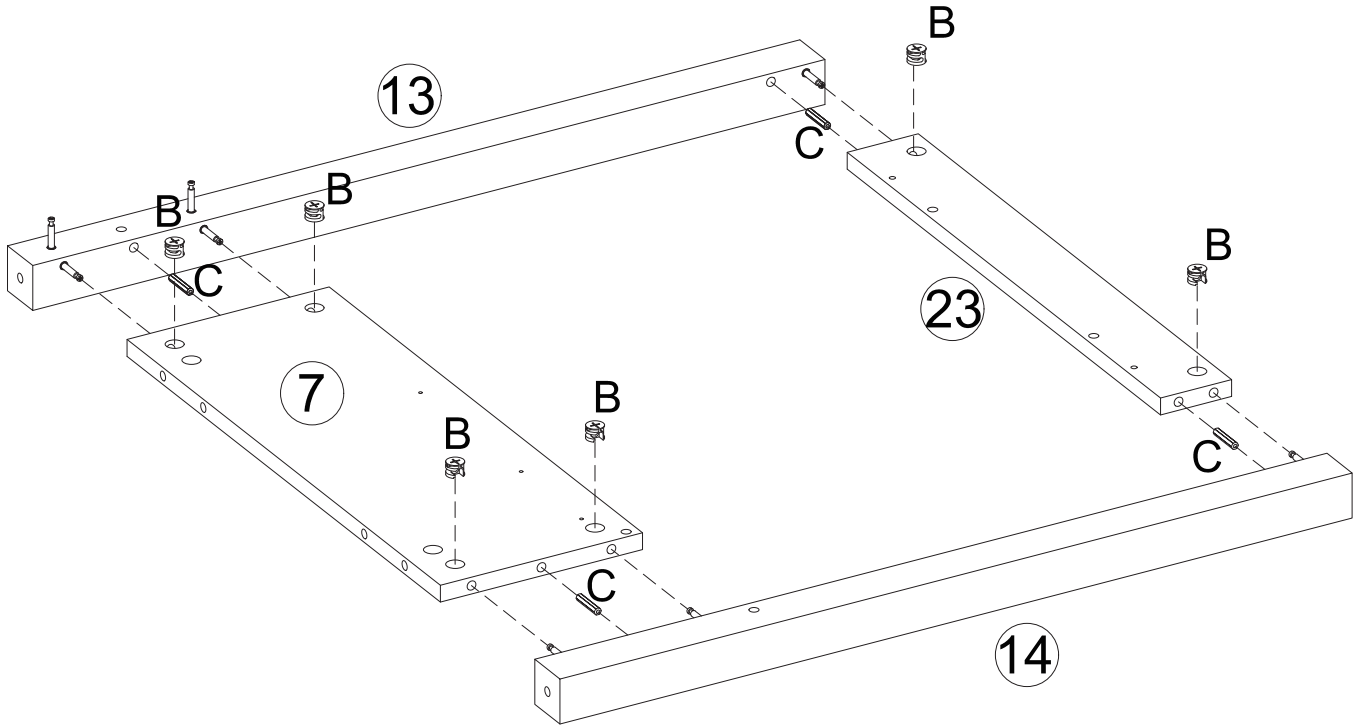


x8

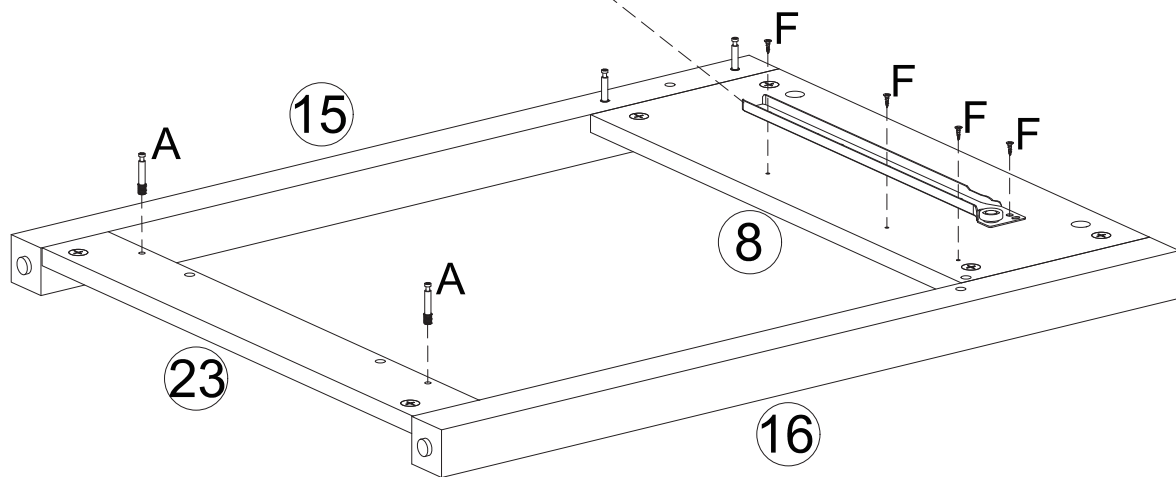
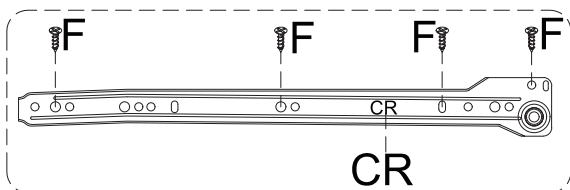
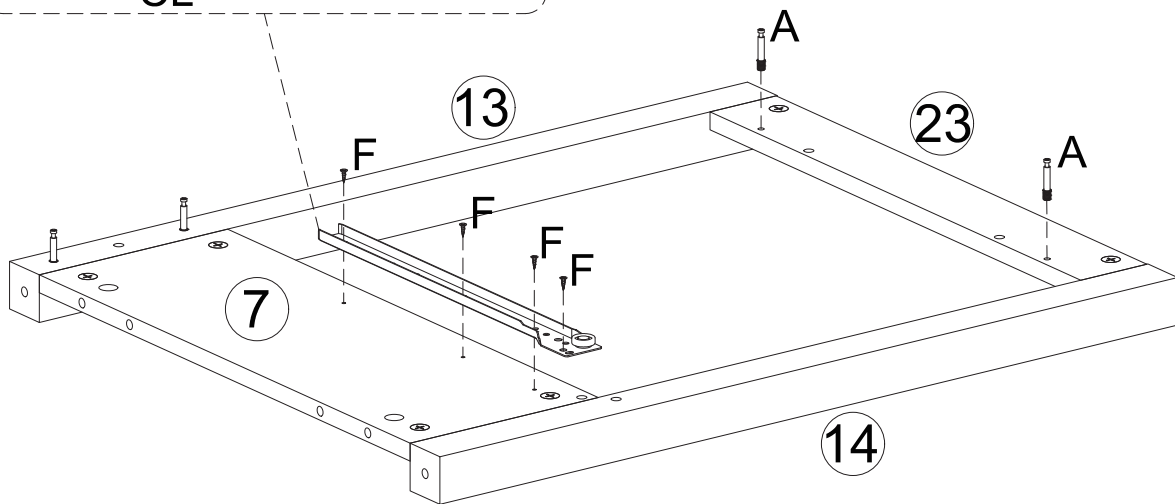
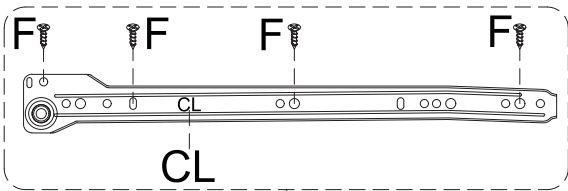
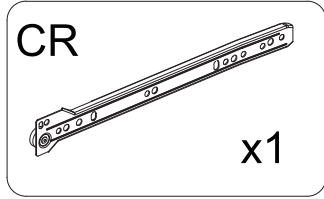
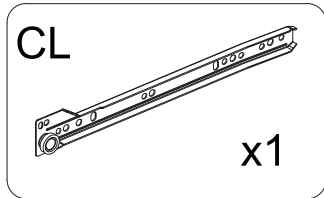
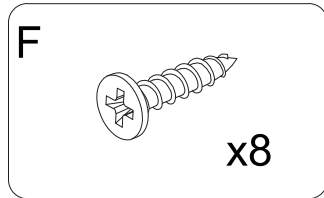
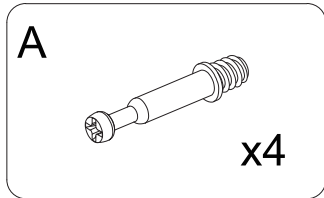
B



x12

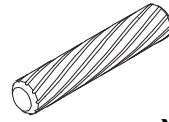


10



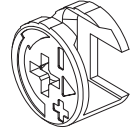
11

C

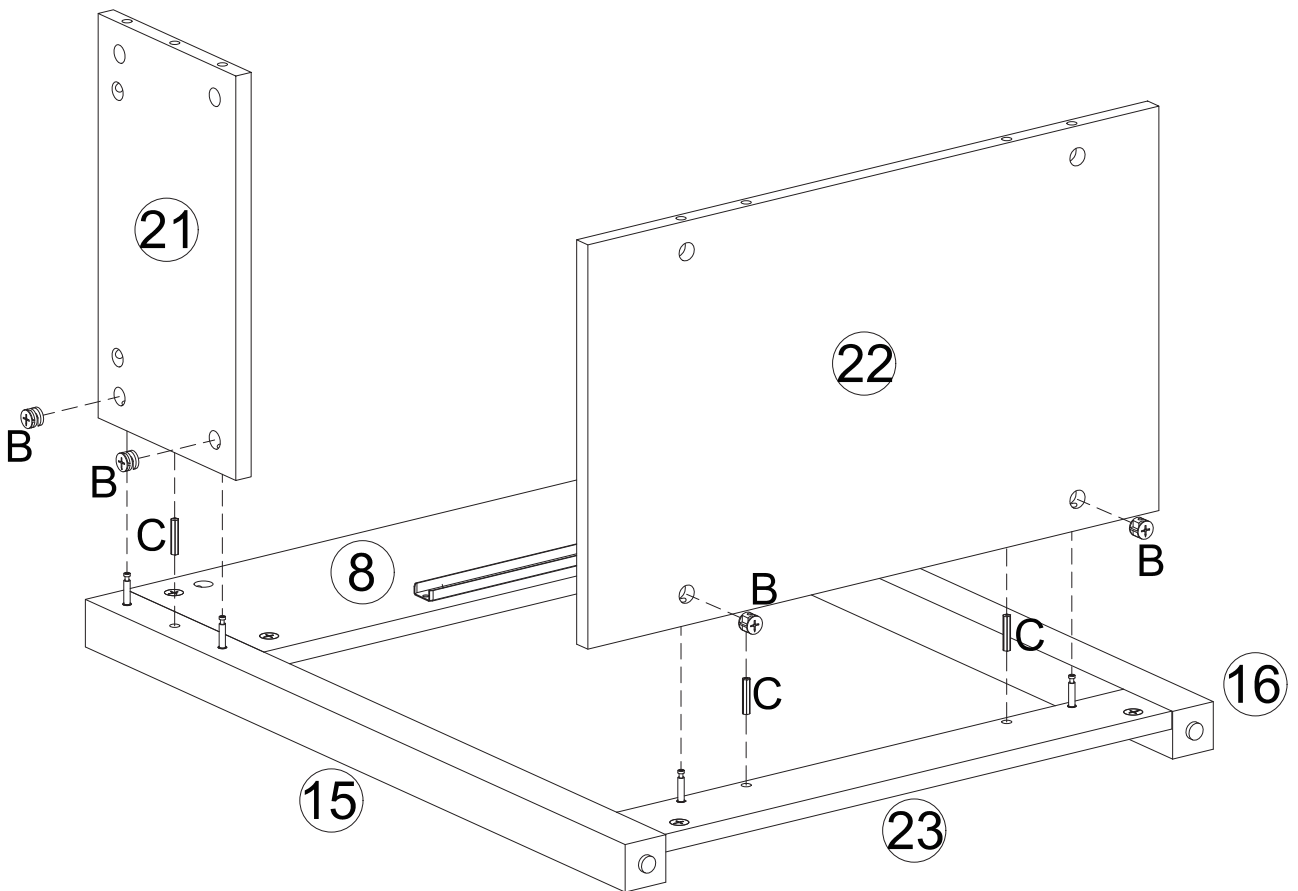
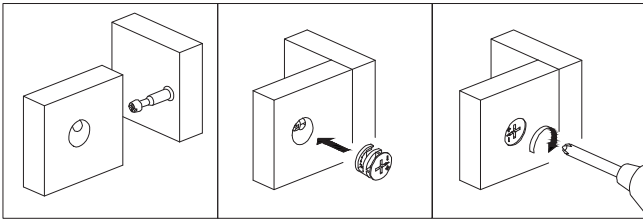


x3

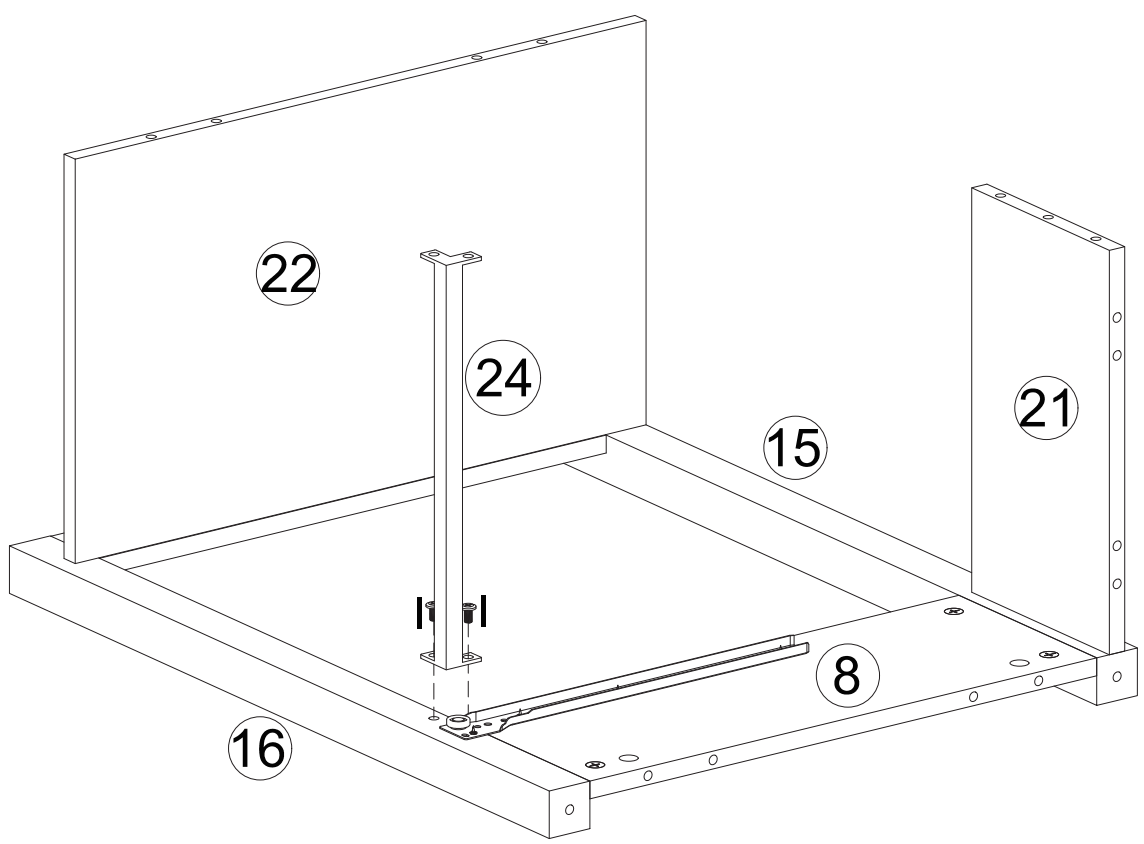
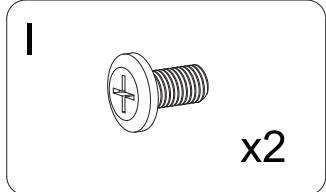
B



x4



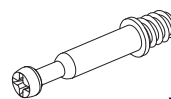
12



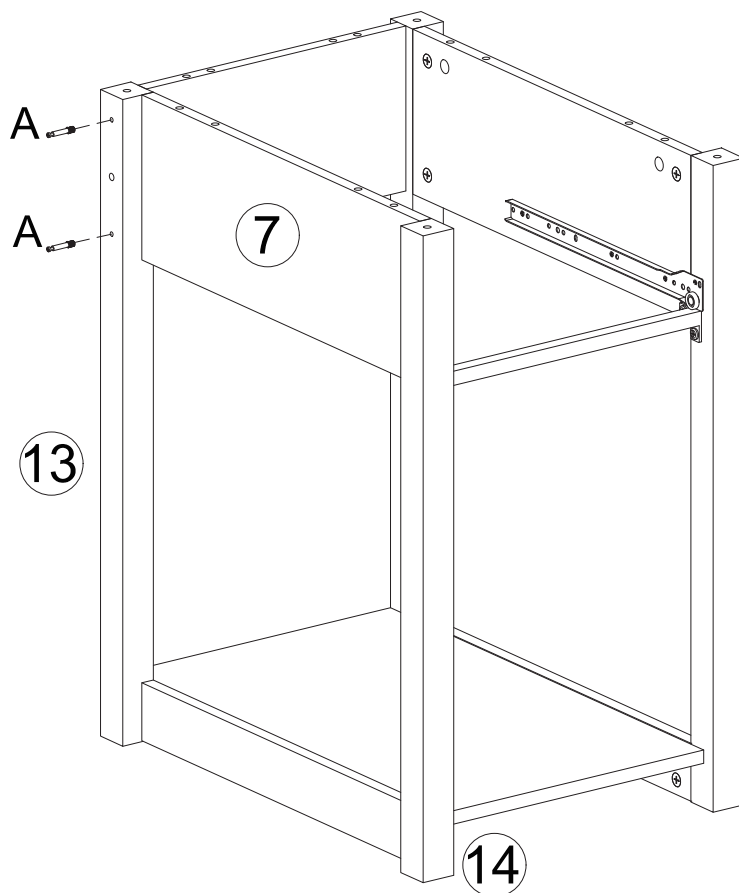
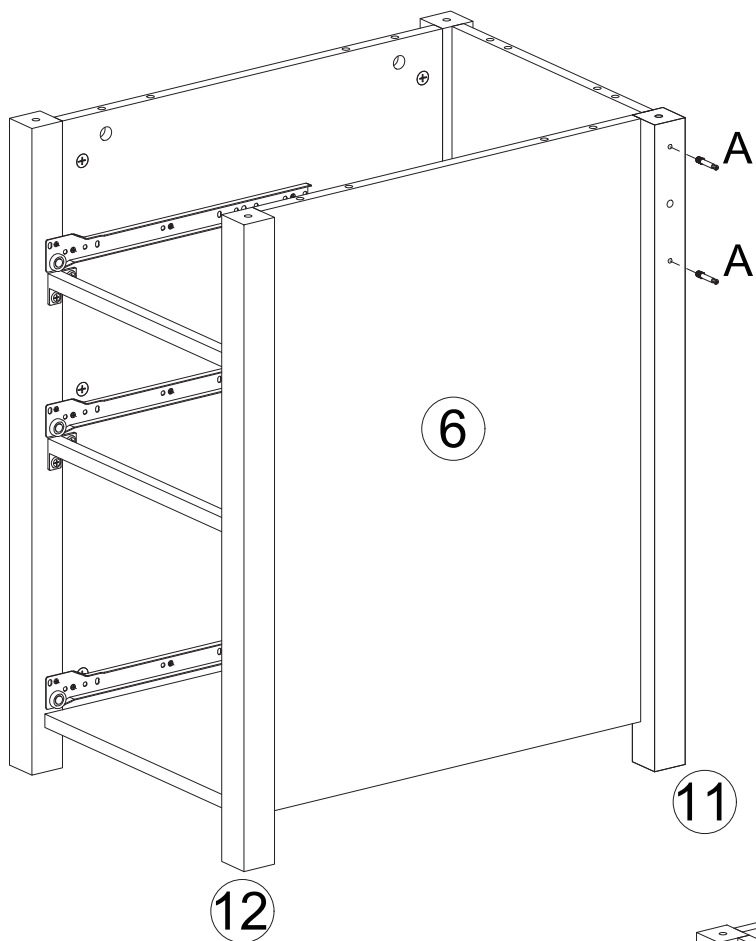


14

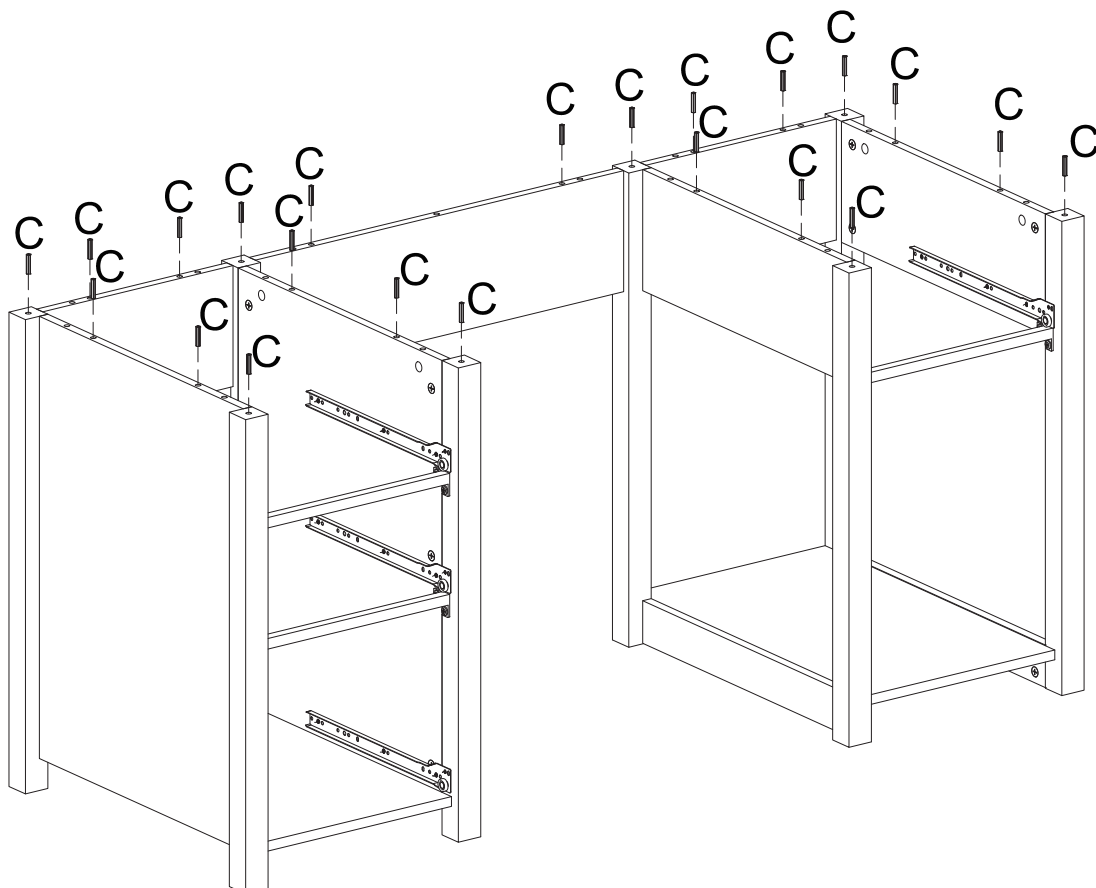
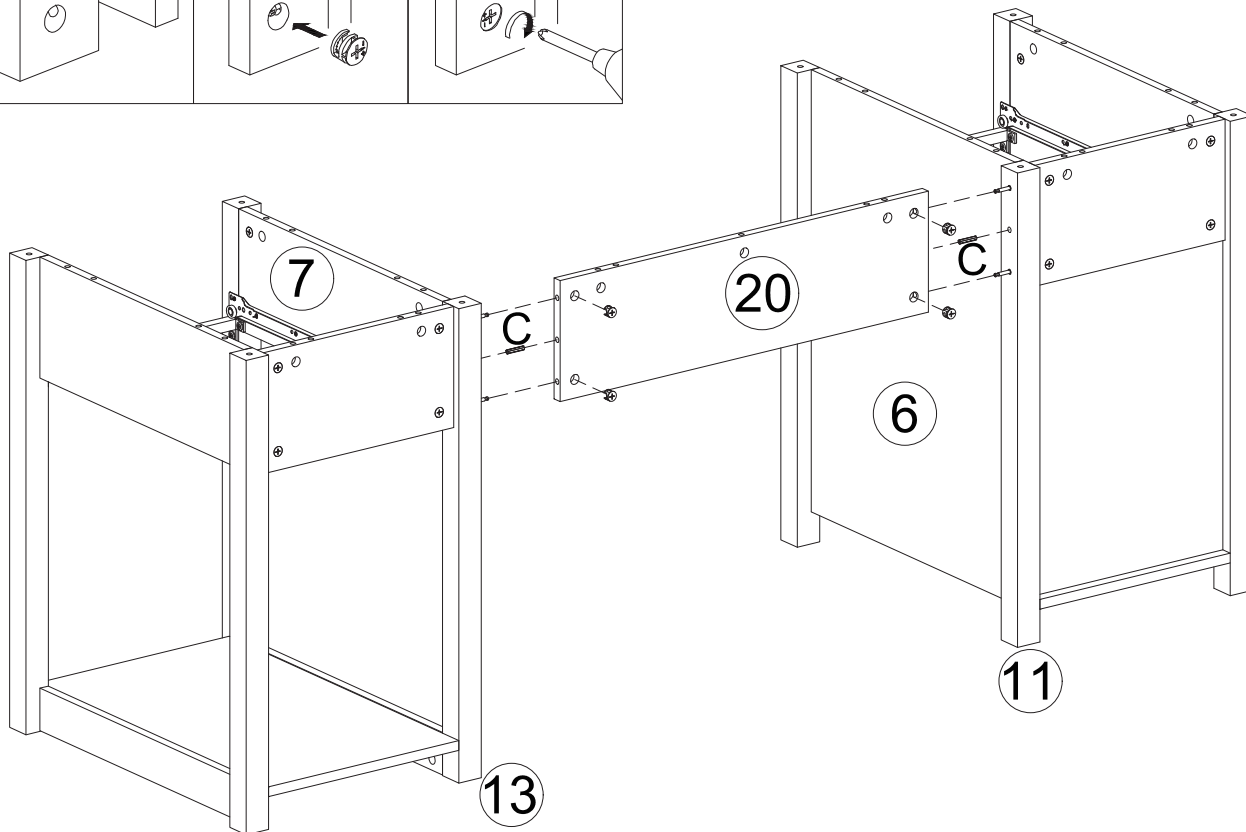
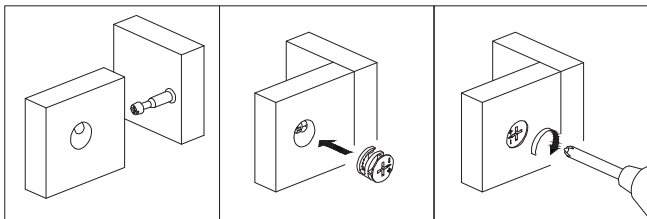
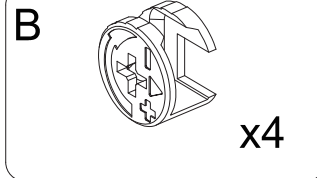
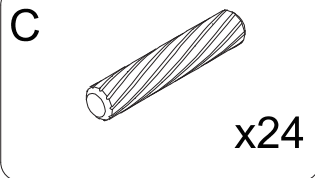
A



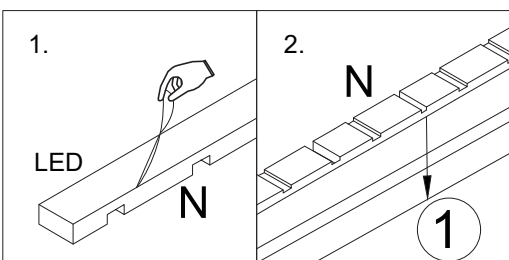
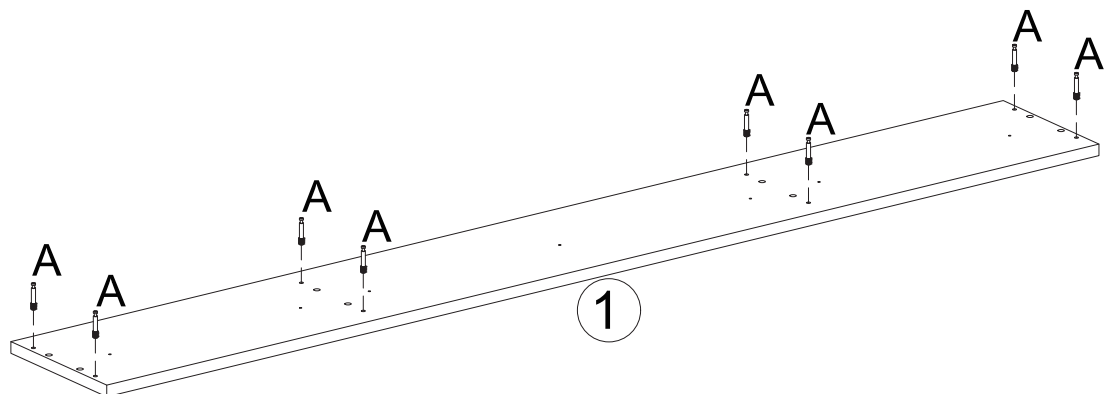
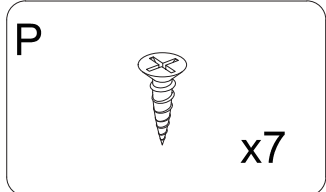
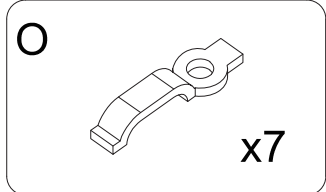
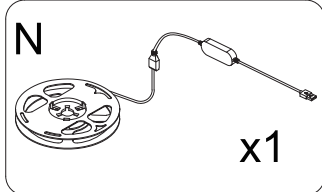
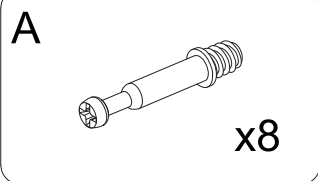
x4



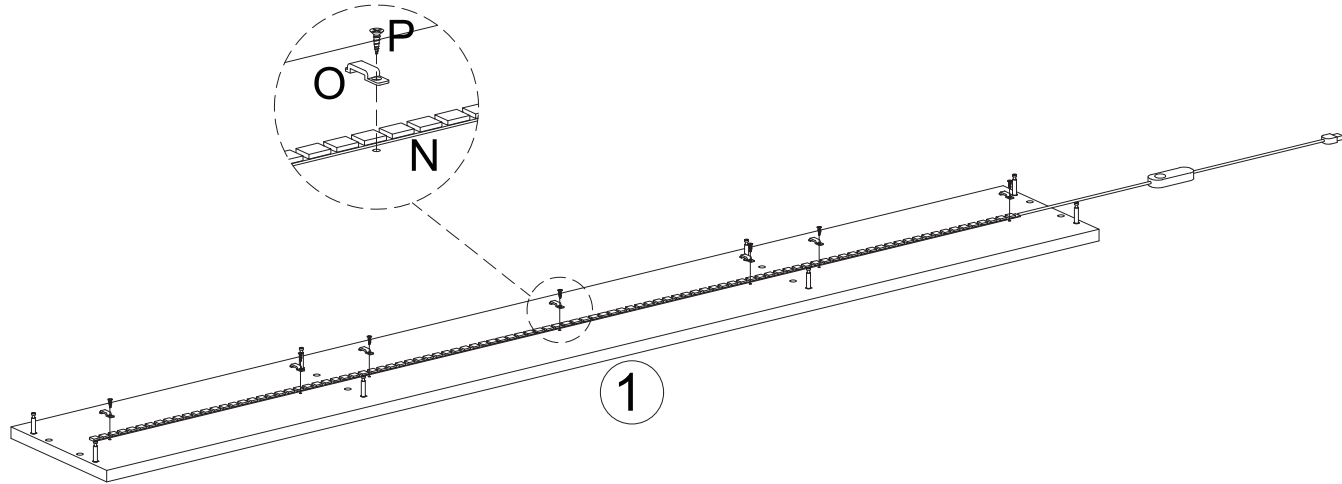
15



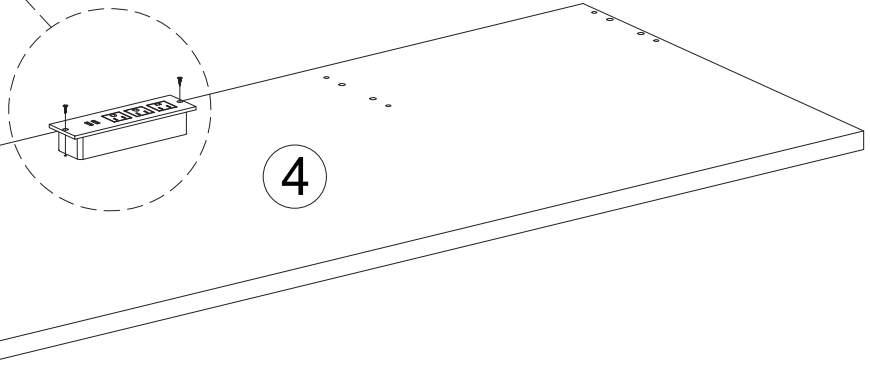
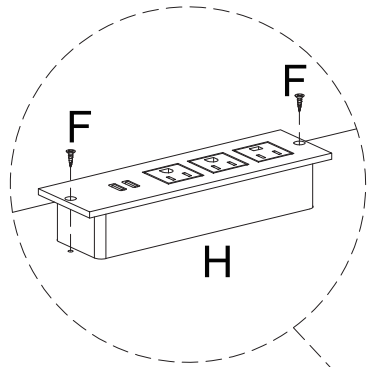
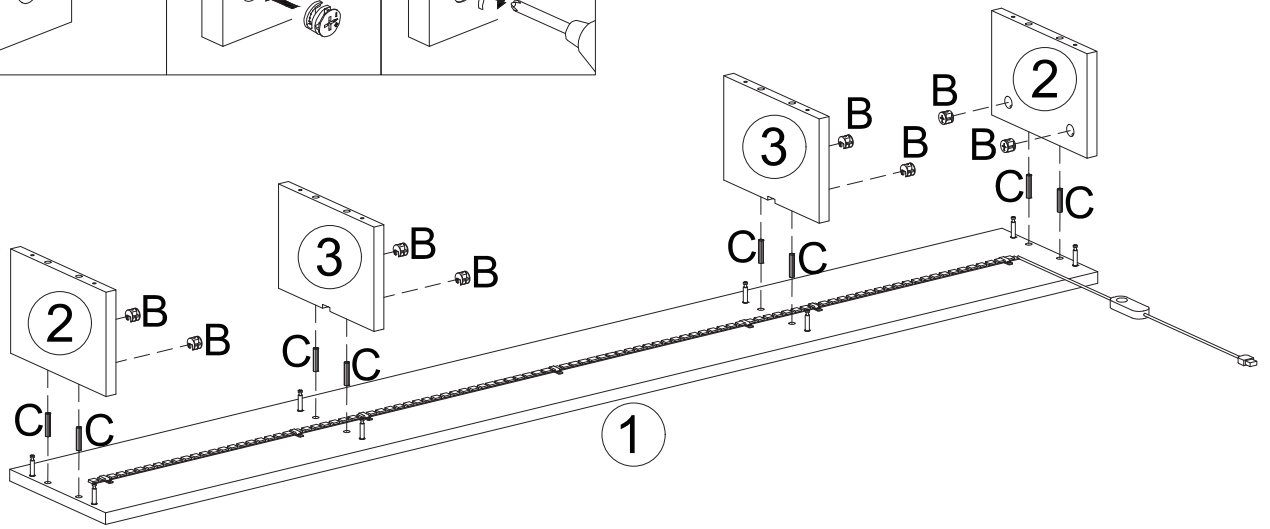
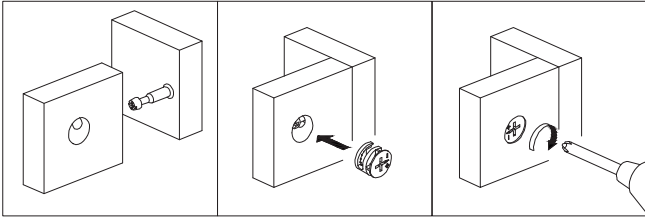
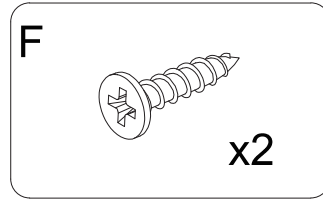
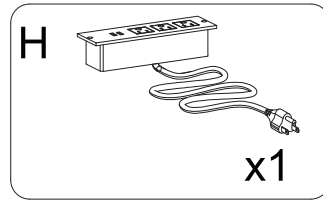
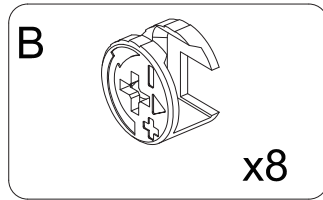
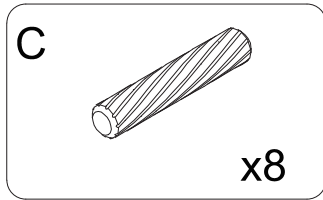
# 16



NOTE: Please make sure the LED light (N) in the middle position of top panel (1).

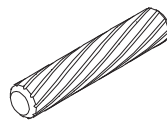


17



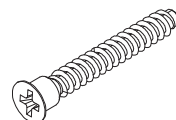
18

C

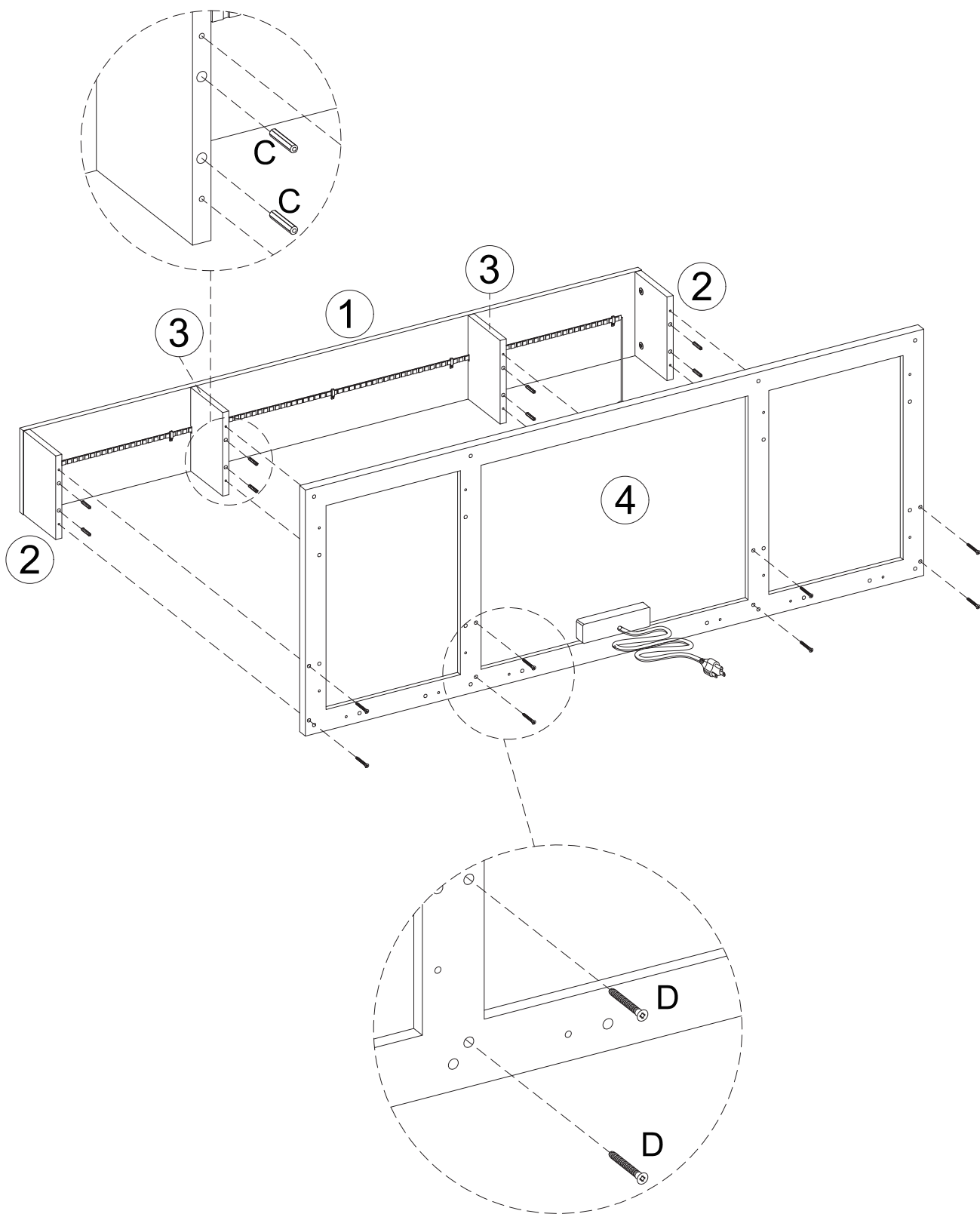


x8

D

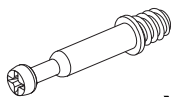


x8

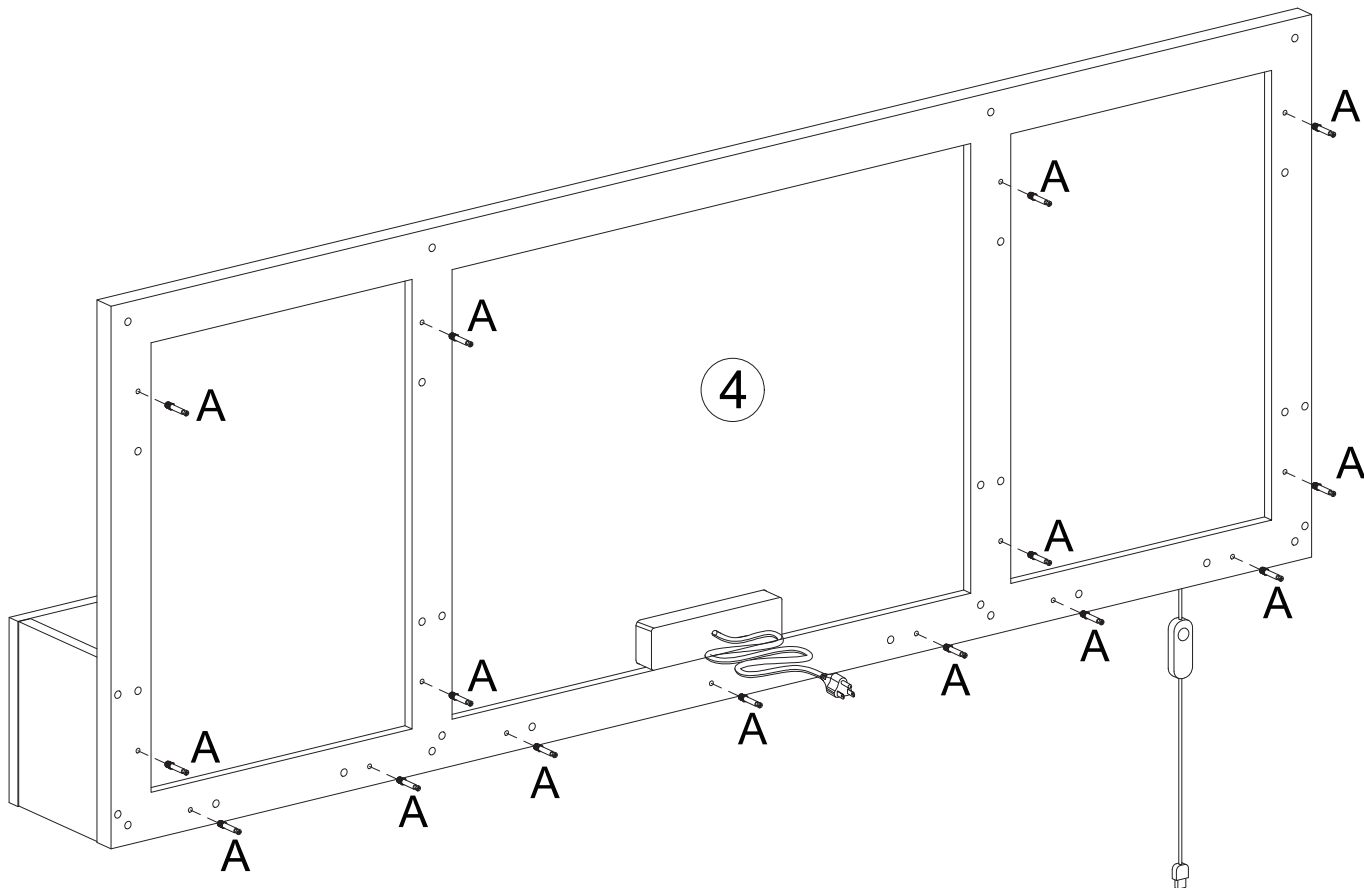


19

A

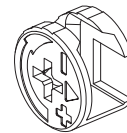


x15

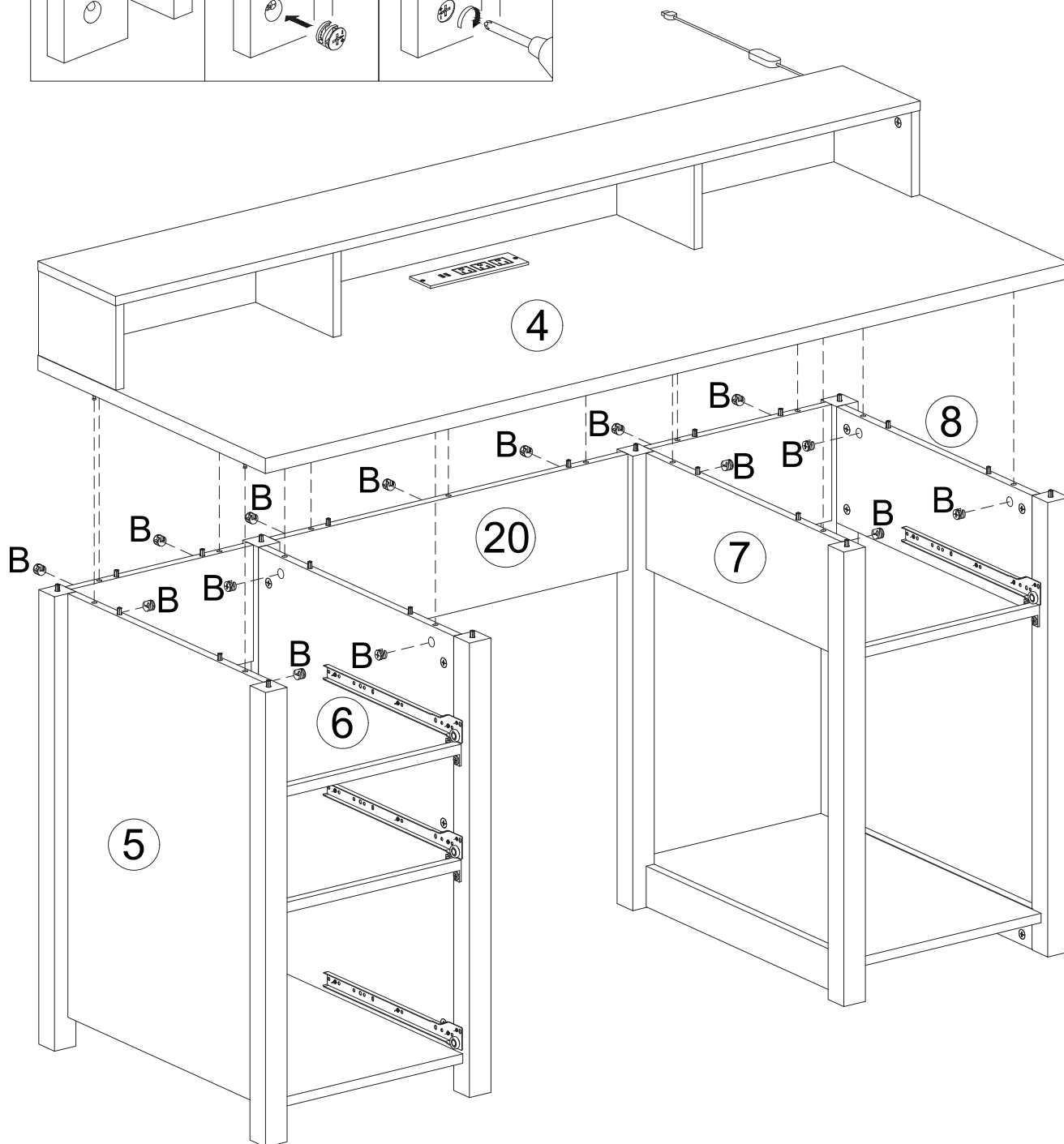
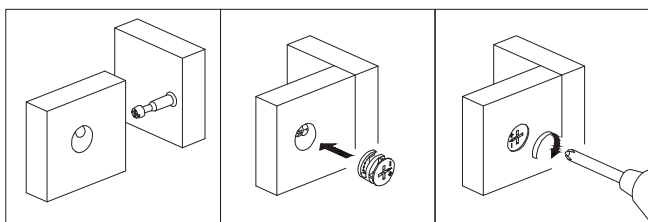


20

B

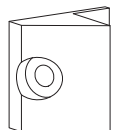


x15



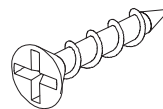
21

L

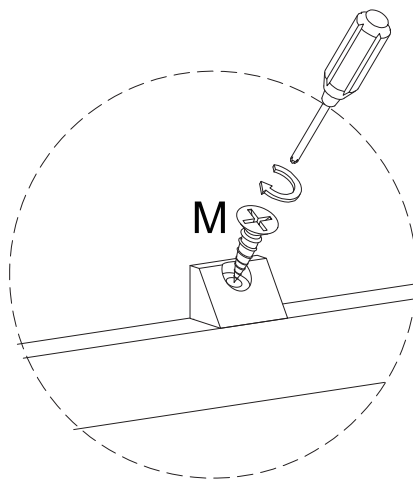
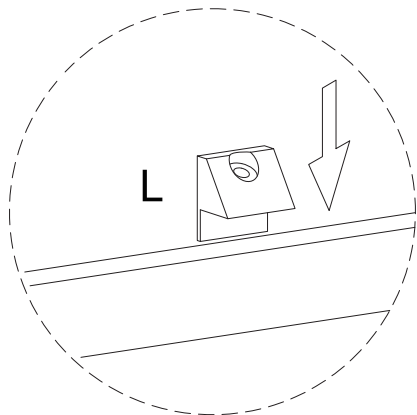
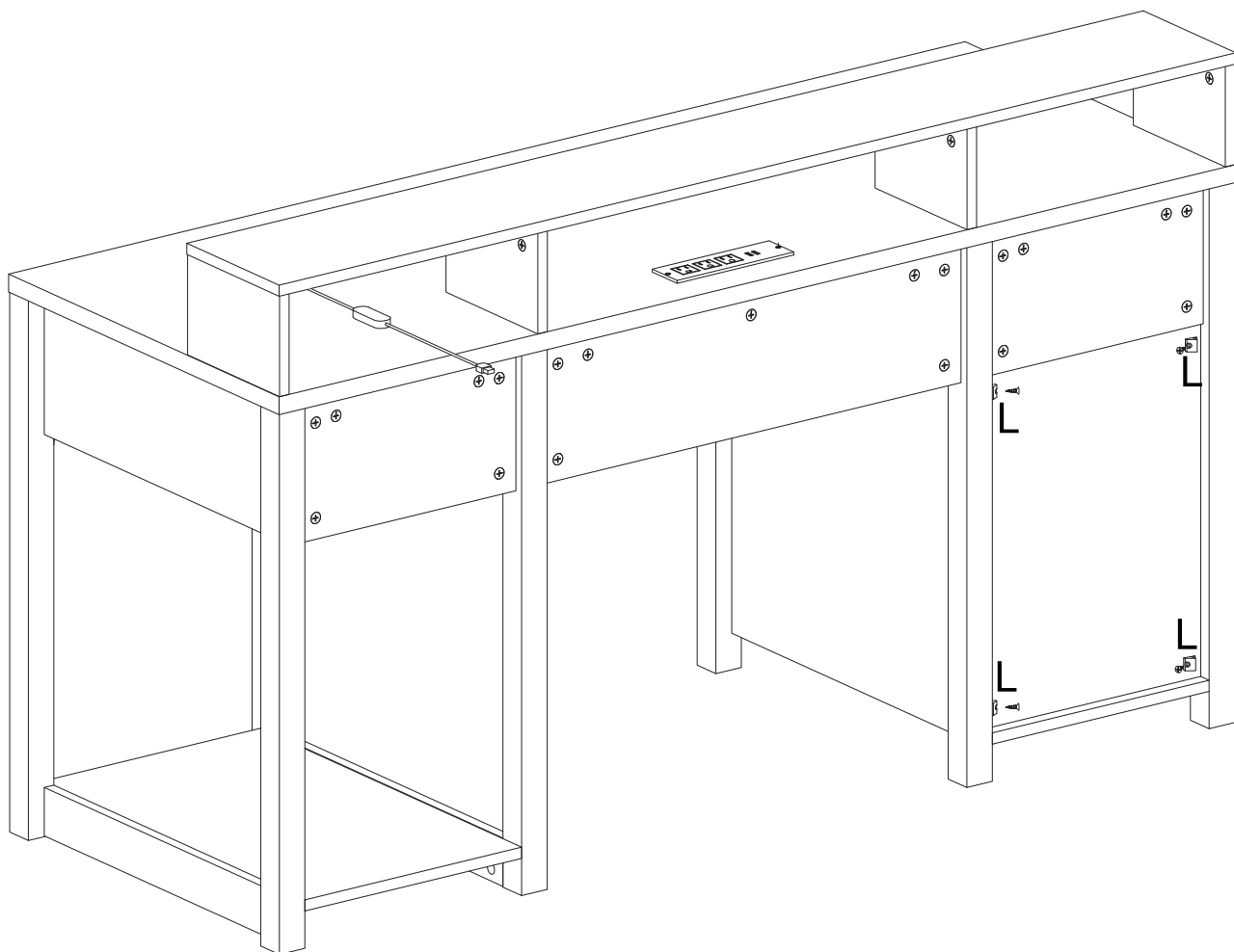


x4

M

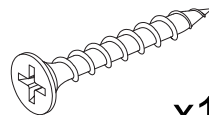


x4

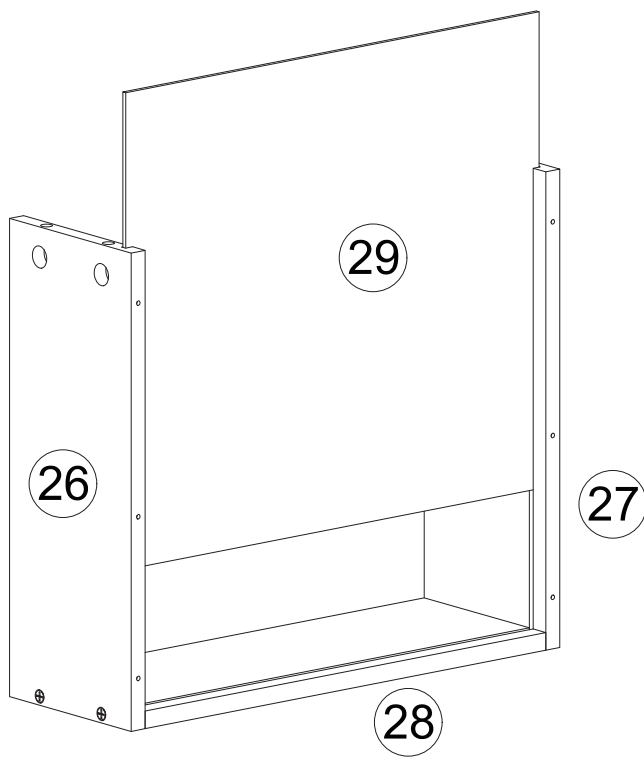
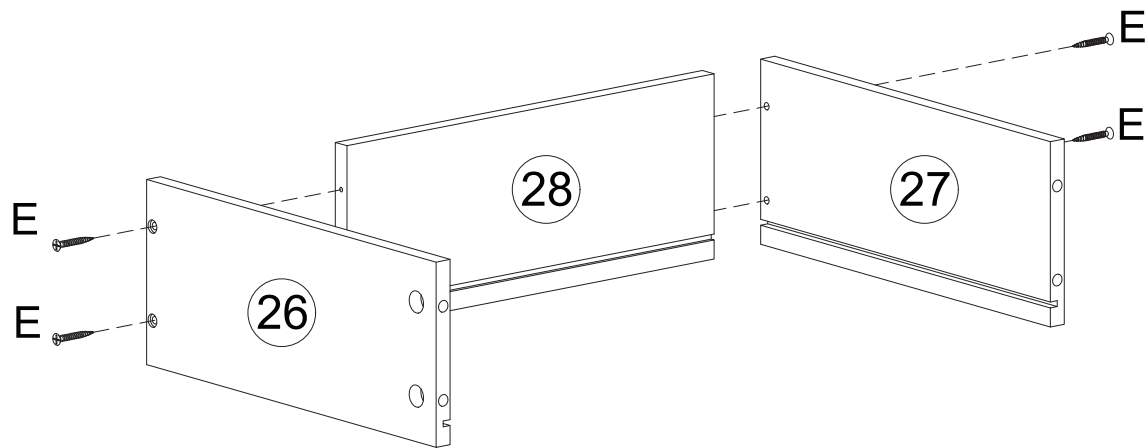


22

E

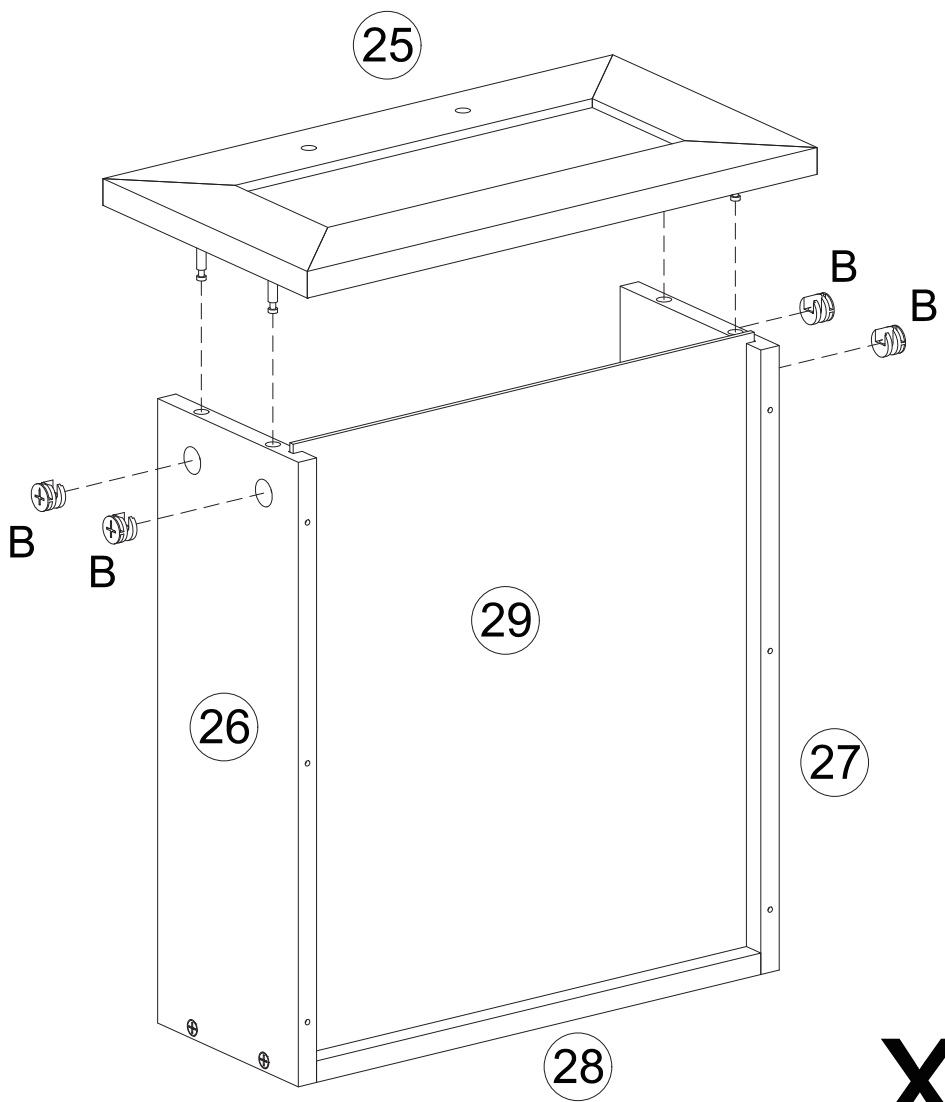
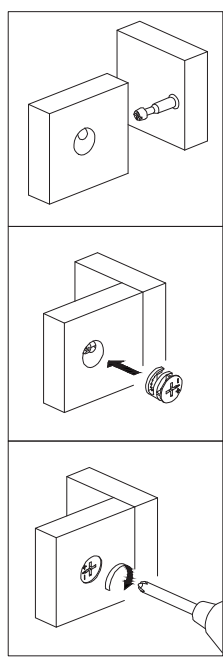
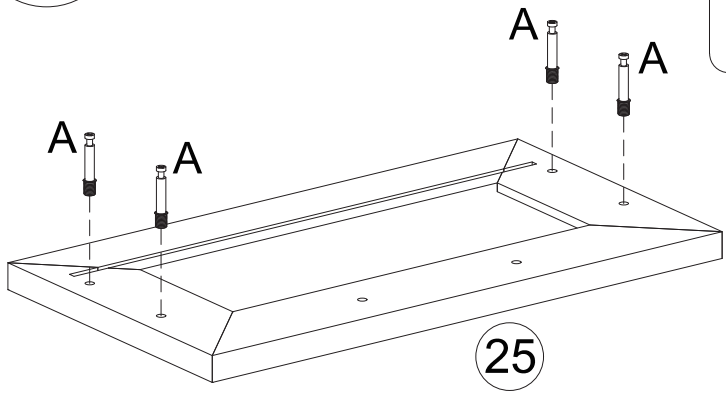
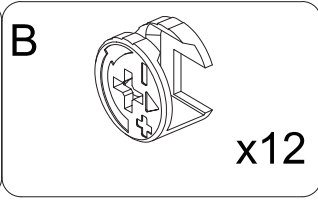
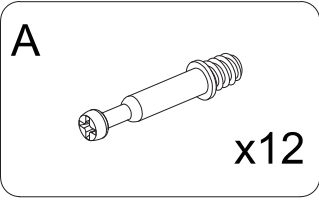


x12



x3

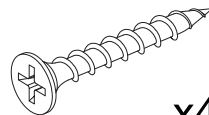
23



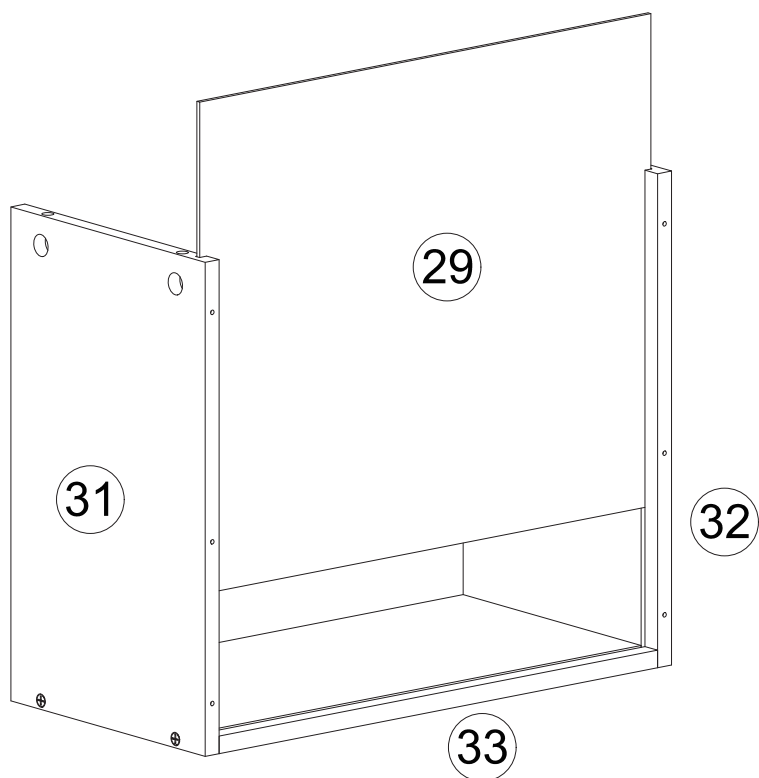
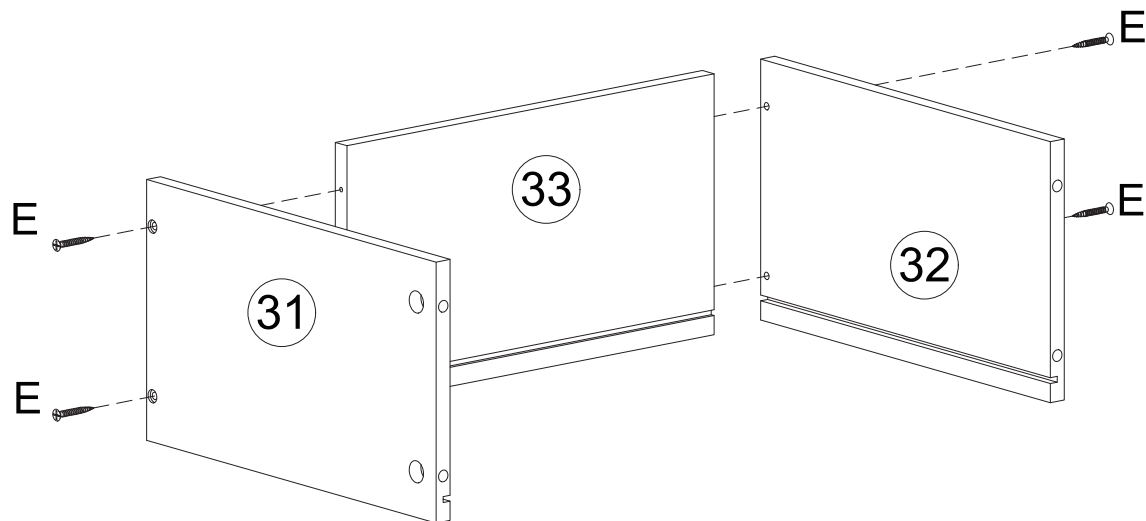
x3

24

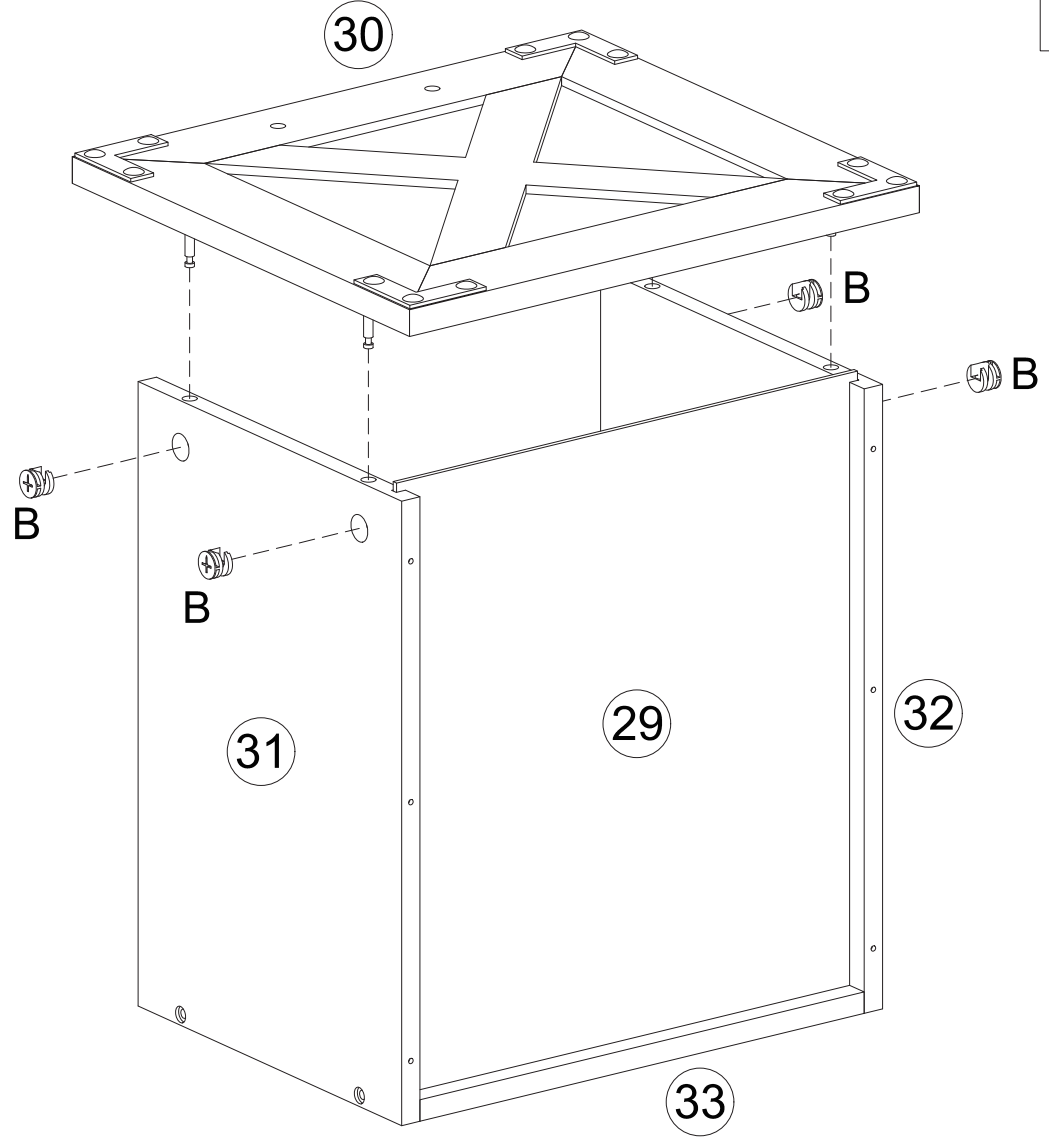
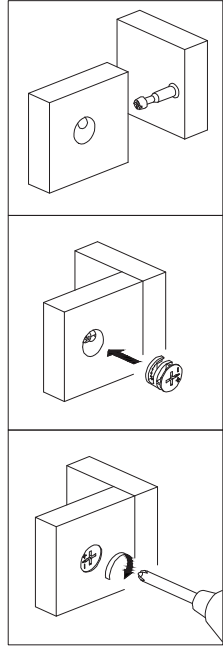
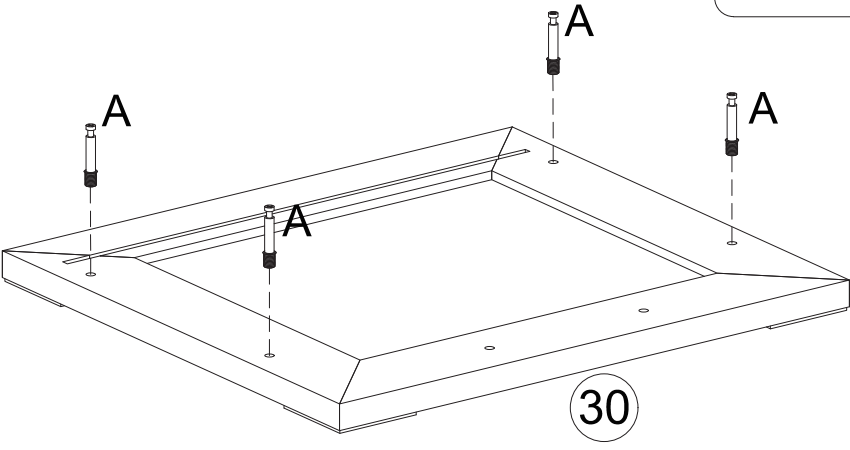
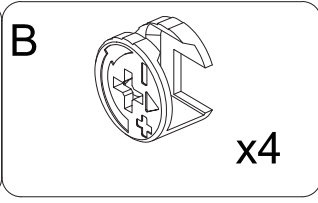
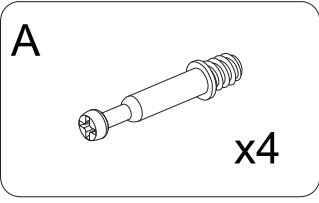
E



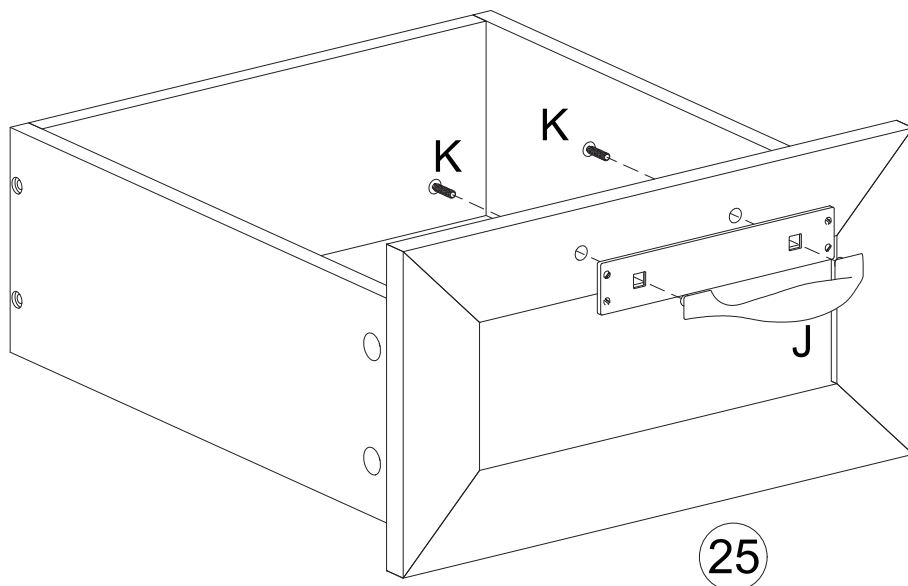
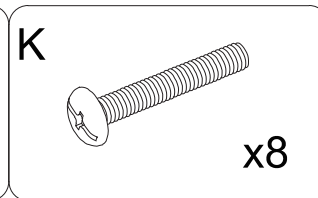
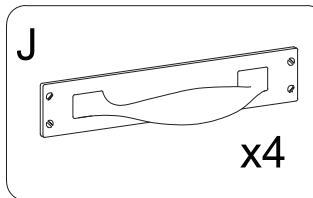
x4



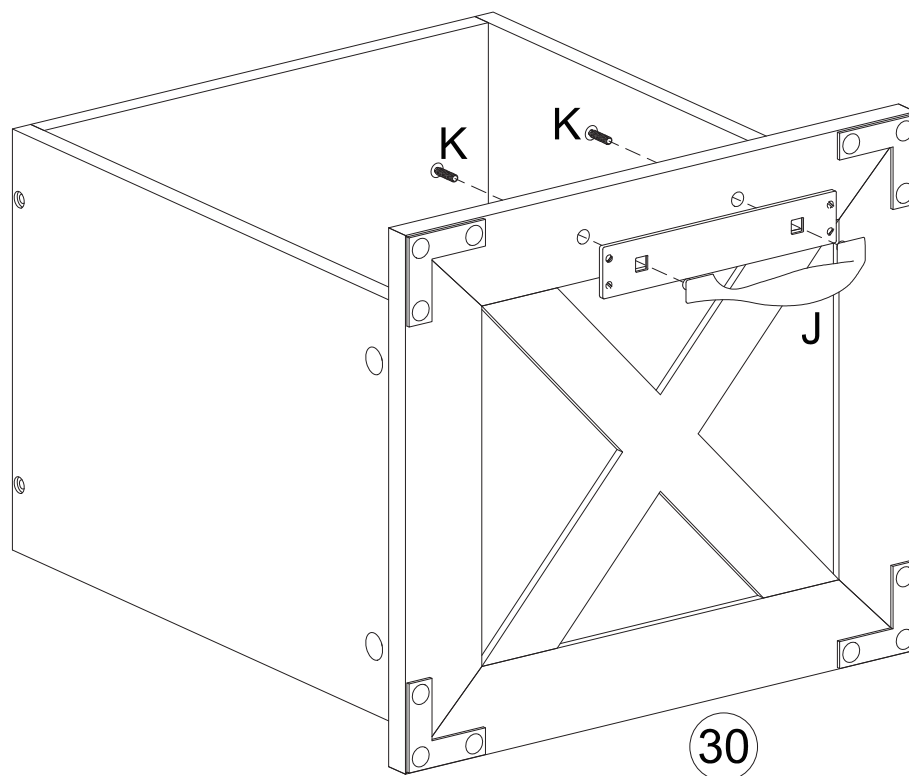
25



26



x3





28

