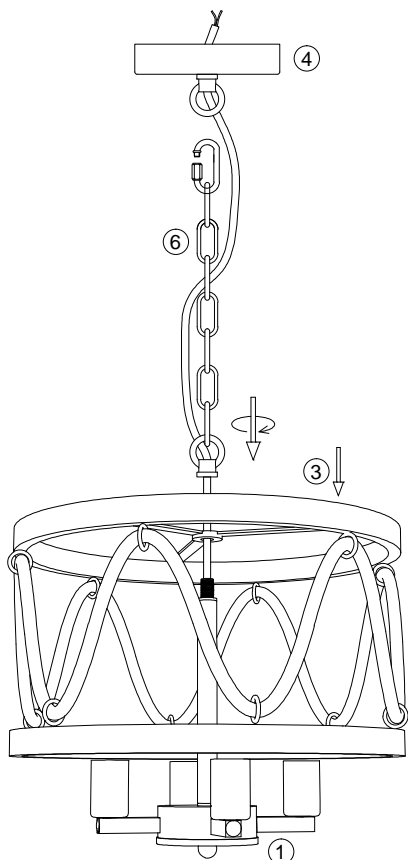
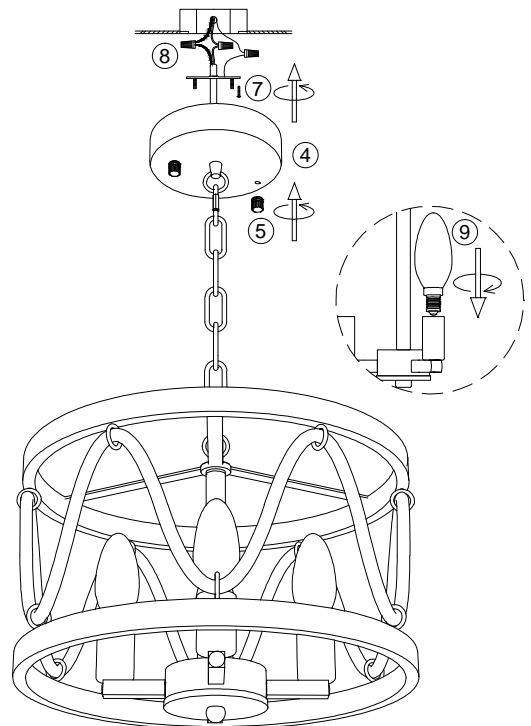


1. Let the wire go through the tube ②, rotate to install the tube ② to the fixture ①.



2. Let the wire go through the lampshade ③ and chain ⑥, rotate to fix both to the fixture ①.

3. Hang the fixture to the canopy ④ with chain ⑥, let the wire go through canopy ④.



4. Install the bracket to the ceiling junction box with screw ⑦.

5. Connect the wire to your home line with cap connector ⑧.

6. Install the fixture to the bracket with cap nut ⑤.

7. Install the bulb ⑨.

Please read carefully before installation!!!

Note : Please make sure that the electricity is powered off during installation !

Only a professional electrician should install this kind of product !