














Assembly Instructions

Caution: You must read this before you proceed

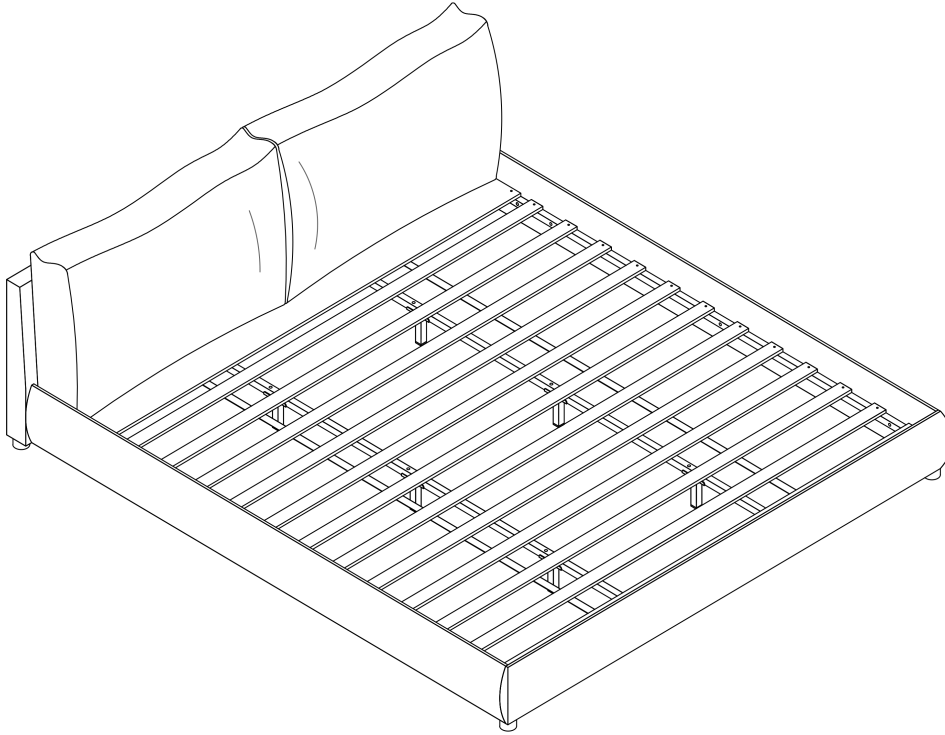
Care & Maintenance

-  ● Not for commercial use. For residential use only.
-   ● Furniture may scratch floors. We recommend using furniture pads to protect your floors.
-  ● Do not put hot items directly on furniture surface.
-  ● Do not clean furniture with harsh cleansers or polish.
-  ● Do not place furniture under direct sunlight.
-  ● Do not place furniture near heating or cooling vents.
-  ● Do not write on furniture without a padded barrier to protect the surface.
-  ● Do not place furniture outside . For indoor use only.
-  ● Stains may be removed with mild soap solution and damp cloth.
-  ● Children should not climb or jump on the furniture.
-   ● Dust and pick-up spills using a clean, non-colored, lint-free cloth.

Please look in the box for hardware packs and legs.

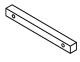
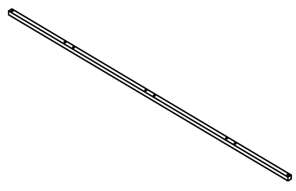
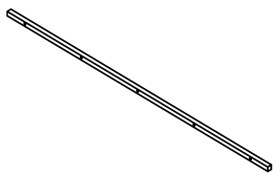
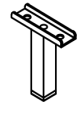
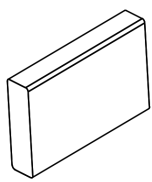
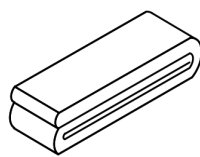
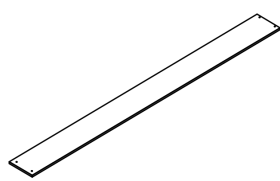
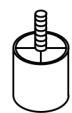
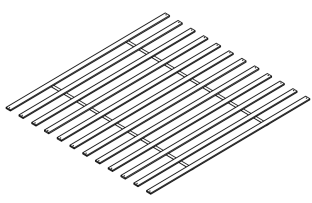
Sets often ship in multiple boxes and may arrive a day or two apart.

Bed







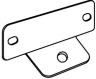






Part List

Label	Picture	Description	QTY
A		Head board	1
B		Side rail (right)	1
C		Side rail (left)	1
D		Foot board	1

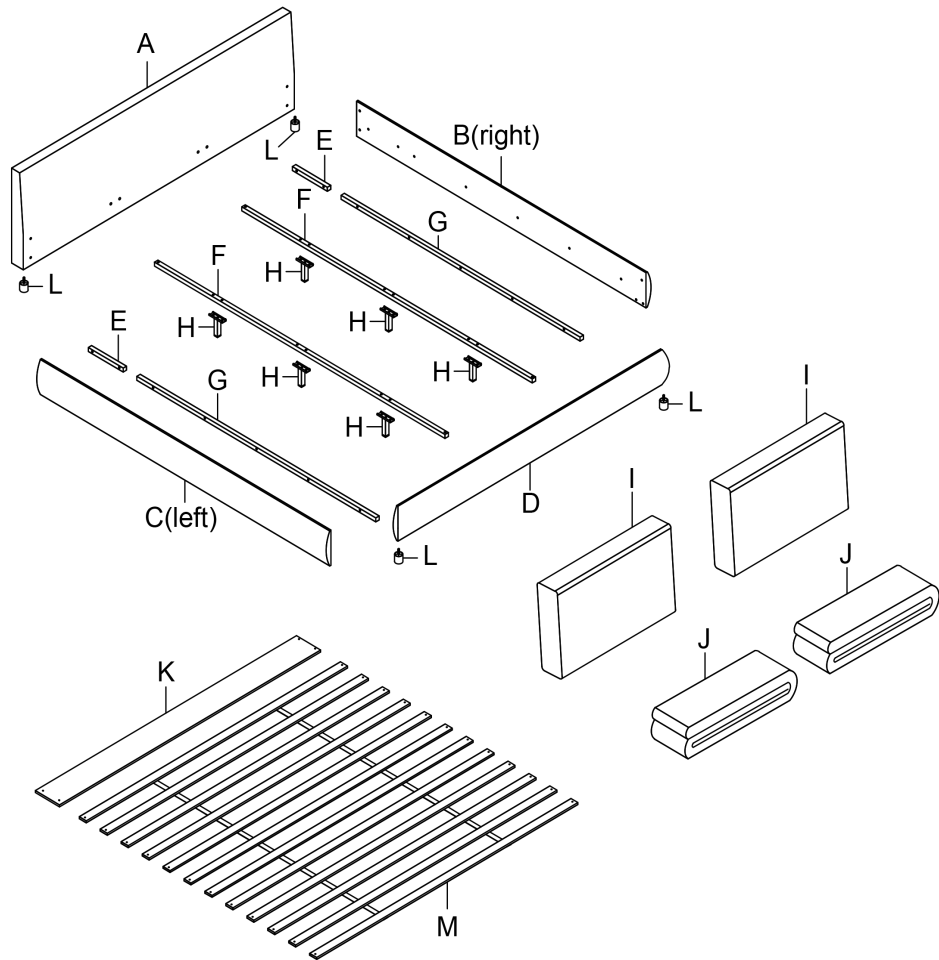
E		Side rails support bar	2
F		Center support bar	2
G		Side rails support bar	2
H		Middle support leg	6
I		Pillow core	2
J		Pillowcase	2
K		Cross board	1
L		Bed legs	4
M		Slat	1

Hardware

Label	Picture	Description	QTY
①		Allen Wrench(M5)	1
②		Bolts (M8x20mm)	28
③		Bolts (M8x45mm)	30
④		Nails (M4X30mm)	28
⑤		Nuts	2
⑥		Spanner	1
⑦		Center support bar fittings	4
⑧		Little "7" Connector	2
⑨		Metal Corner	2
⑩		Hinge	2
⑪		Twist gasket	7

Assembly Preparation

Before Beginning Assembly:



- | | | | |
|---|---|---|--|
| ① |  x1 | ⑦ |  x4 |
| ② |  x28 | ⑧ |  x2 |
| ③ |  x30 | ⑨ |  x2 |
| ④ |  x28 | ⑩ |  x2 |
| ⑤ |  x2 | ⑪ |  x7 |
| ⑥ |  x1 | | |



- Read instructions, cover to cover-



- Have 2 adults on hand for assembly-



- Do not assemble on flooring or carpet-



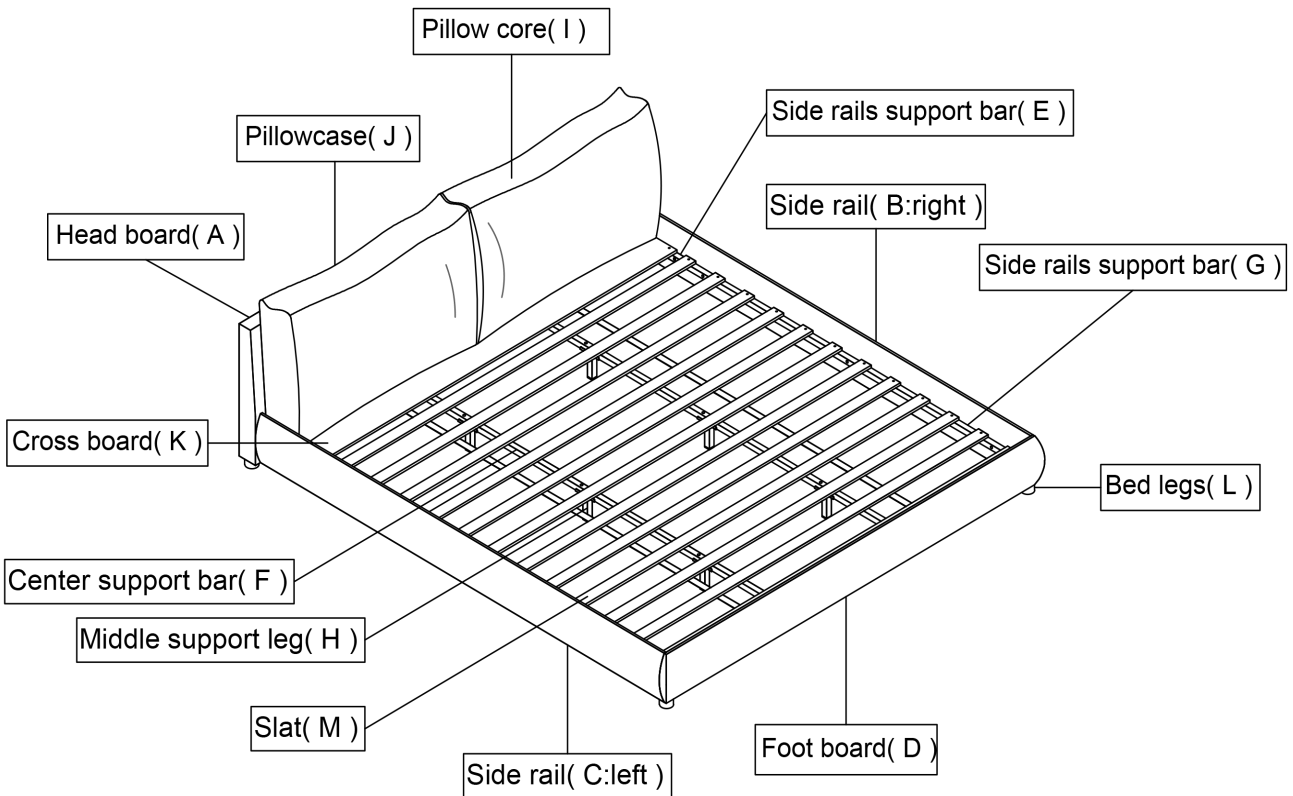
- Assemble on a clean non-marring surface (packing foam)-



- Save all packaging until finished-

Assembly Steps

OVERVIEW

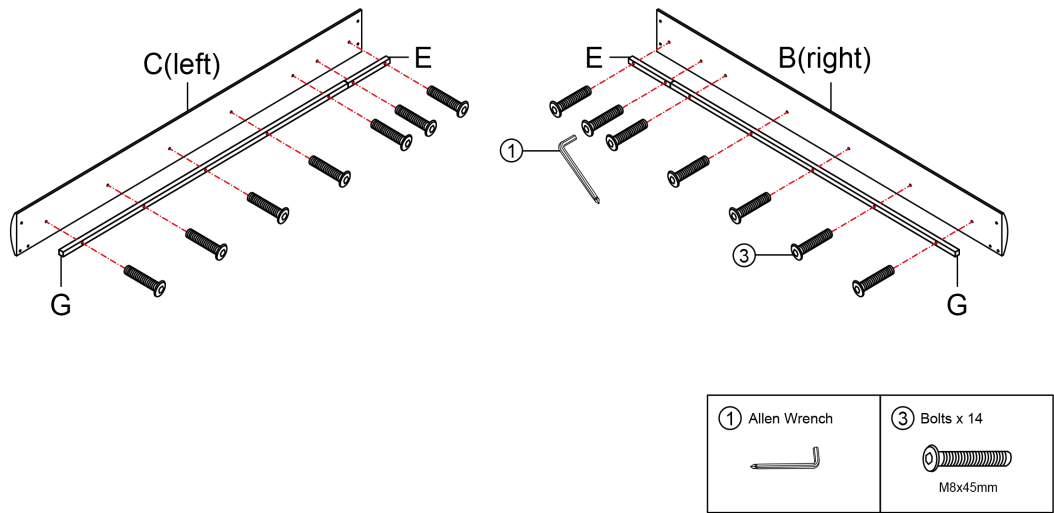


FRONT FACING

This Bed have multiple parts and may require up to 60 minutes to assemble. To give you an overview of the Bed parts, the above picture is to help you put the various parts into perspective. Please read through the instructions below to familiarise yourself with the parts and steps before assembly.

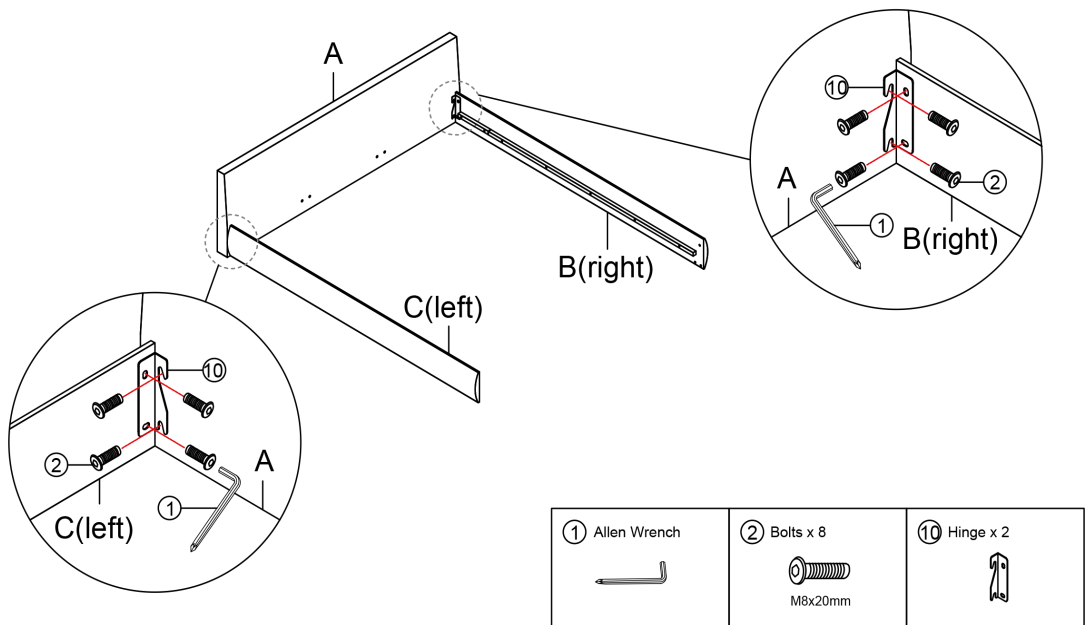
Note: It is recommended that you have an adult partner to assist during the entire assembly process.

Step 1



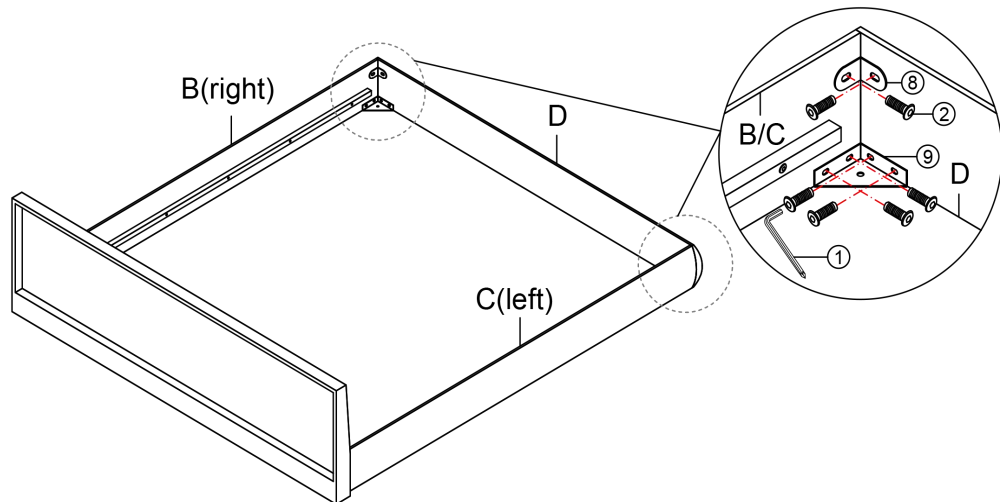
Attach the Side rails support bar E and Side rails support bar G to the Side rail B (right) and Side rail C (left) with Bolts ③ by using Allen Wrench ①.





Step 2



Attach the Side rail B (right) and Side rail C (left) to the Head board A with Bolts ② and Hinge ⑩ by using Allen Wrench ①.

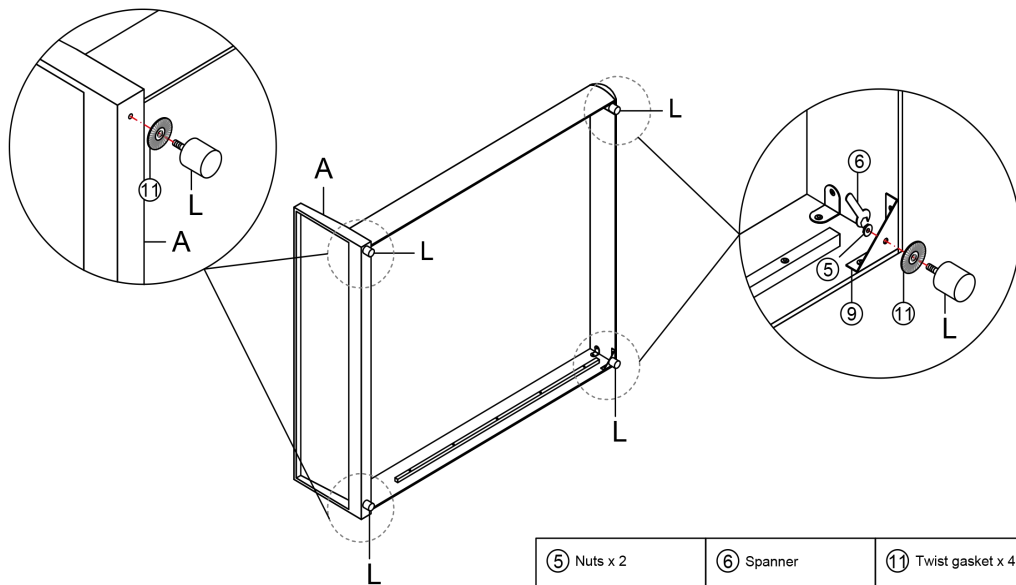
Step 3






① Allen Wrench 	② Bolts x 12 M8x20mm 	⑧ Little "7" Connector x 2 	⑨ Metal Corner x 2 
---	---	---	---

Attach the Foot board D to the Side rail B (right) and Side rail C (left) with Bolts ②, Metal Corner ⑨ and Little "7" Connector ⑧ by using Allen Wrench ①.

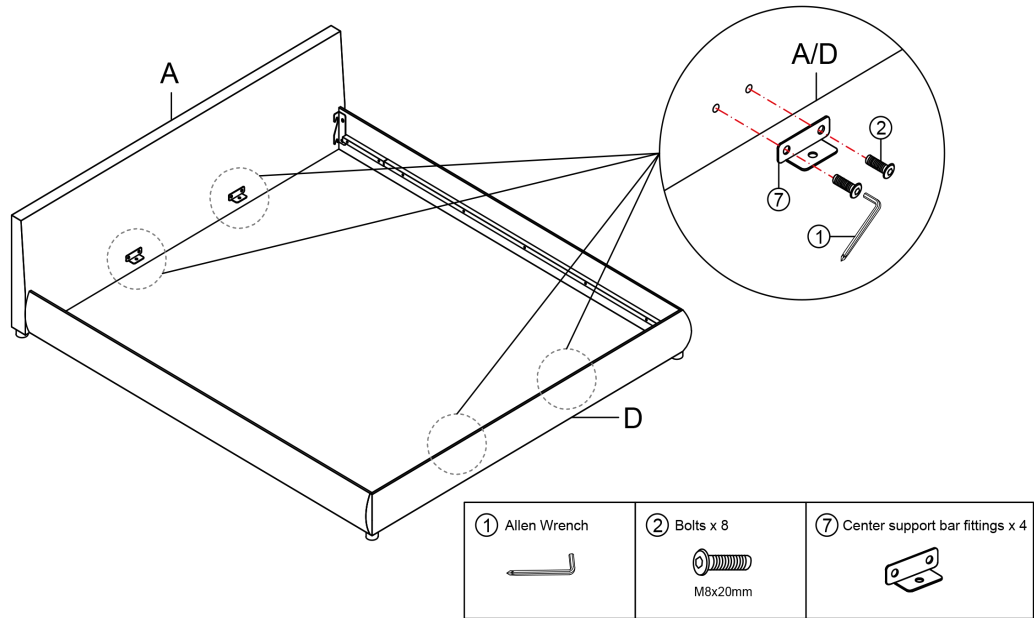
Step 4



⑤ Nuts x 2 	⑥ Spanner 	⑪ Twist gasket x 4 
--	--	---

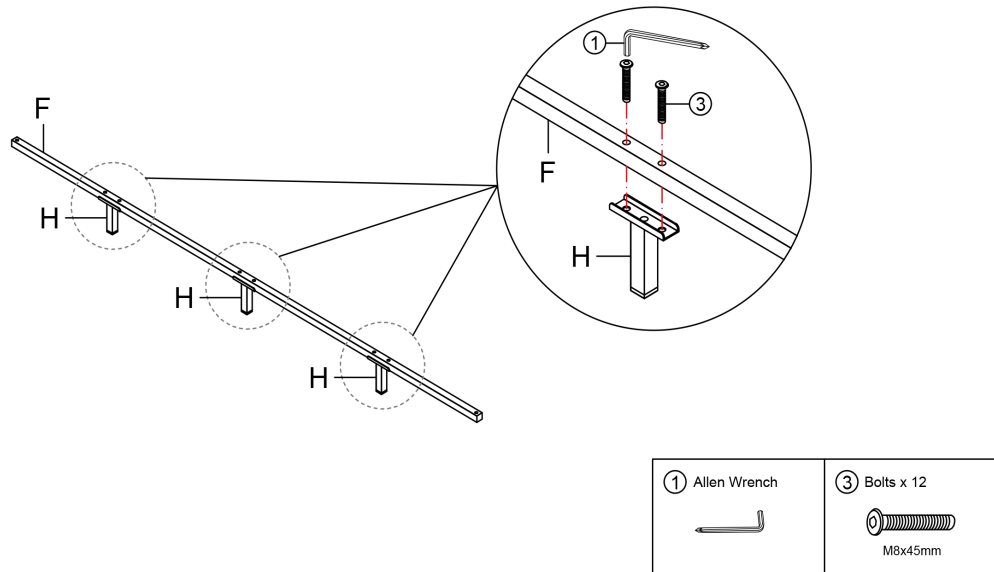
Attach the Bed legs L and Twist gasket ⑪ to the Head board A.
Attach the Bed legs L and Twist gasket ⑪ to the Metal Corner ⑨ with Nuts ⑤ by using Spanner ⑥.

Step 5



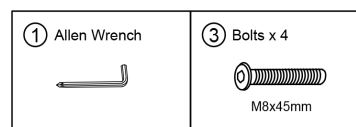
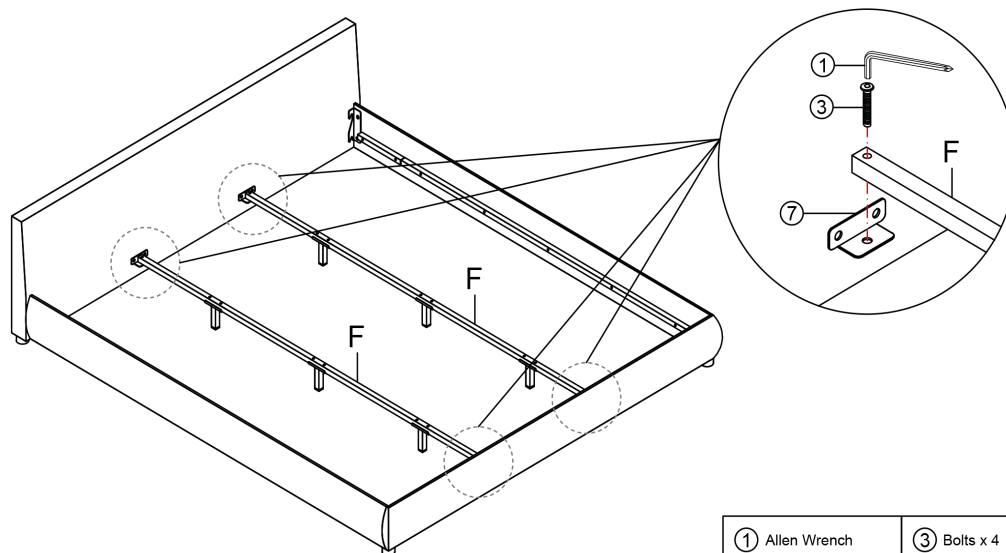
Attach the Center support bar fittings ⑦ to the Head board A and Foot board D with Bolts ② by using Allen Wrench ①.

Step 6x2



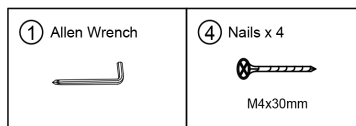
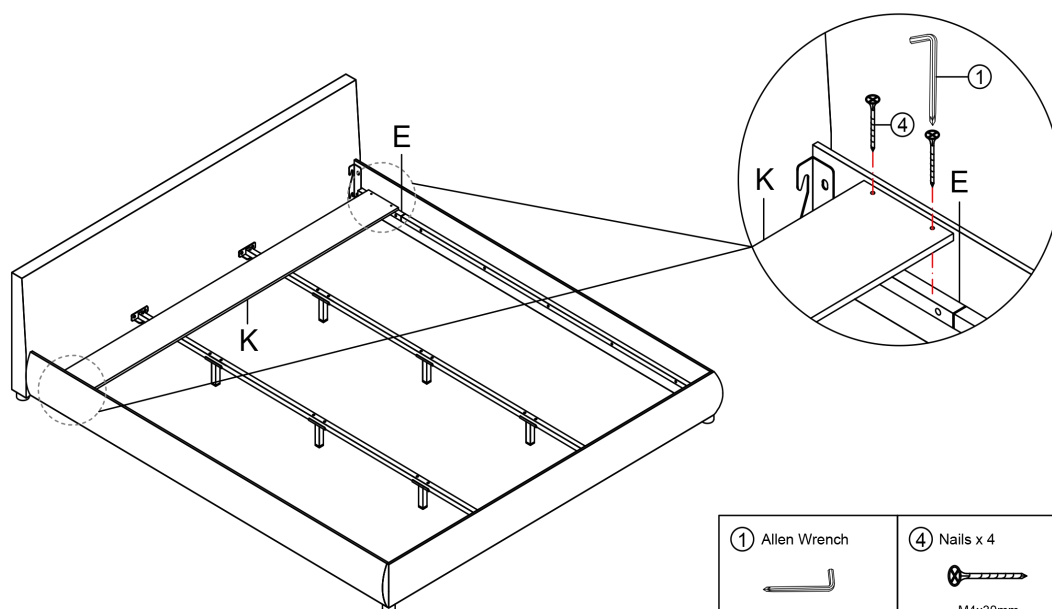
Attach the Middle support leg H to the Center support bar F with Bolts ③ by using Allen Wrench ①.

Step 7



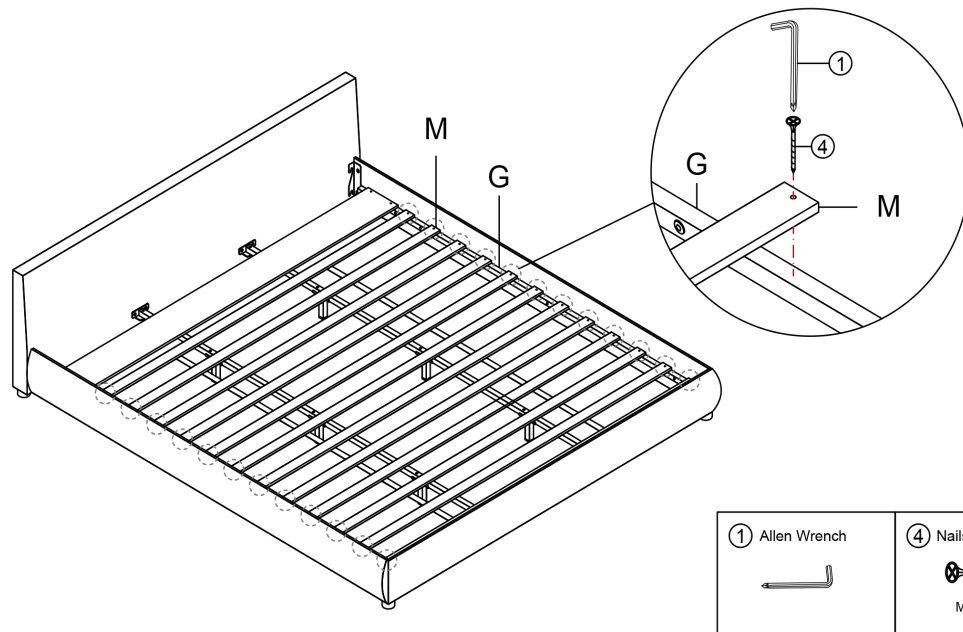
Attach the Center support bar F to the Center support bar fittings ⑦ with Bolts ③ by using Allen Wrench ①.

Step 8



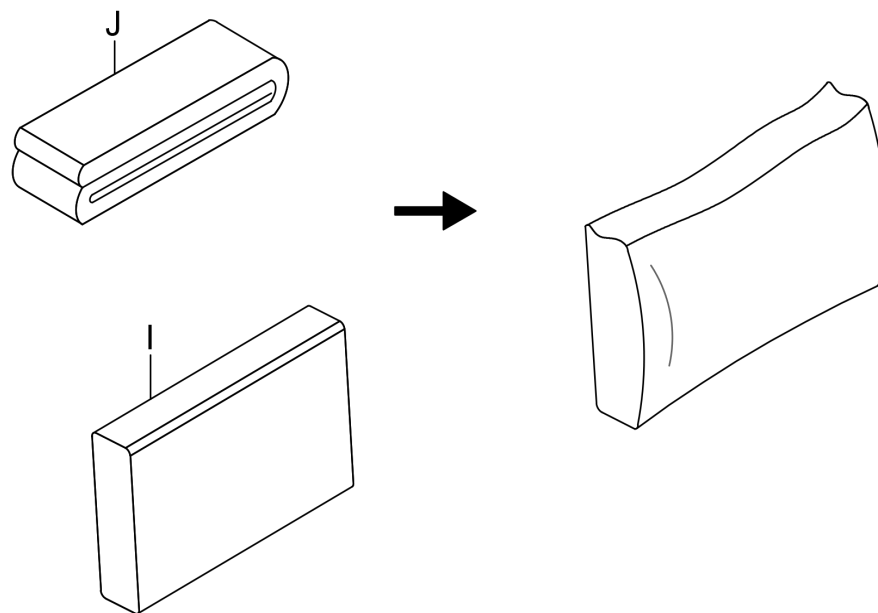
Attach the Cross board K to the Side rails support bar E with Nails ④ by using Allen Wrench ①.

Step 9



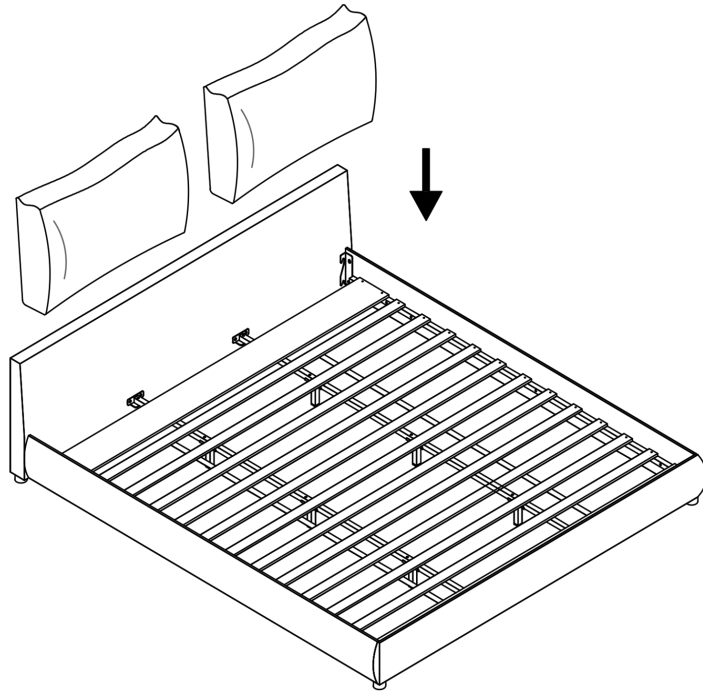
Attach the Slat M to the Side rails support bar G with Nails ④ by using Allen Wrench ①.

Step 10



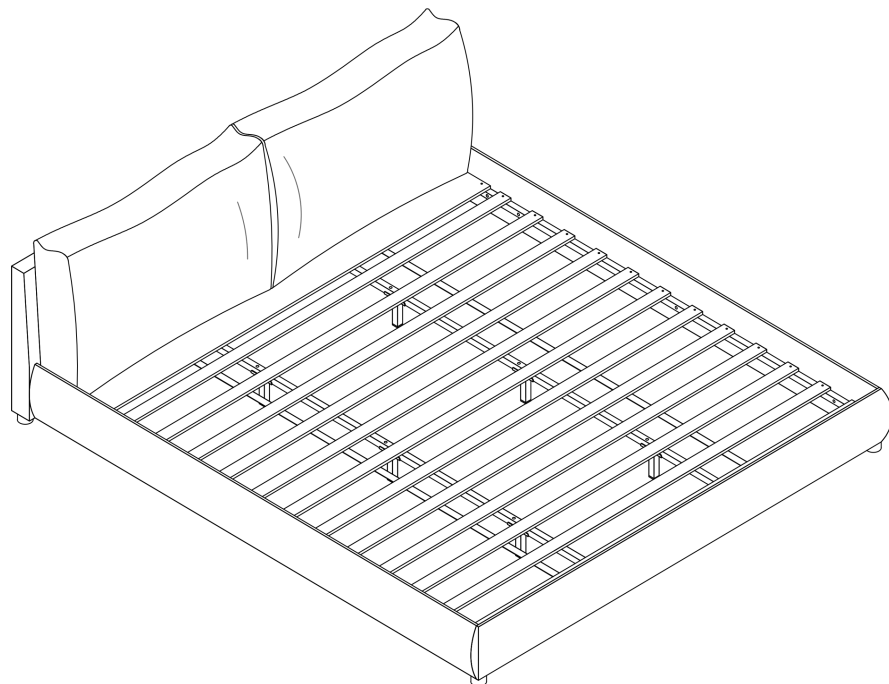
Put Pillow core I into Pillowcase J.

Step 11



Put the two pillows on the Cross board K.

Step 12



Your Bed is ready for use.
This Bed can only be used on a flat, level surface.