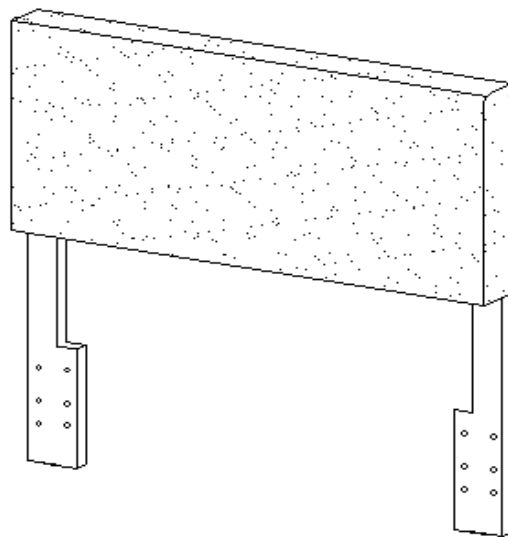


# ASSEMBLY INSTRUCTIONS



*Fine Furniture for every stage of life*

**Queen/Full Headboard**

# ASSEMBLY INSTRUCTIONS

## ASSEMBLY TIPS:

1. Remove hardware from box and sort by size.
2. Please check to see that all hardware and parts are present prior to start of assembly.
3. Please follow attached instructions in the same sequence as numbered to assure fast & easy assembly.



### WARNING!

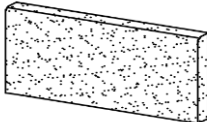


1. Don't attempt to repair or modify parts that are broken or defective. Please contact the store immediately.
2. This product is for home use only and not intended for commercial establishments.







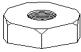


ASSEMBLY TIME

20 MINUTES

## PARTS IDENTIFICATION

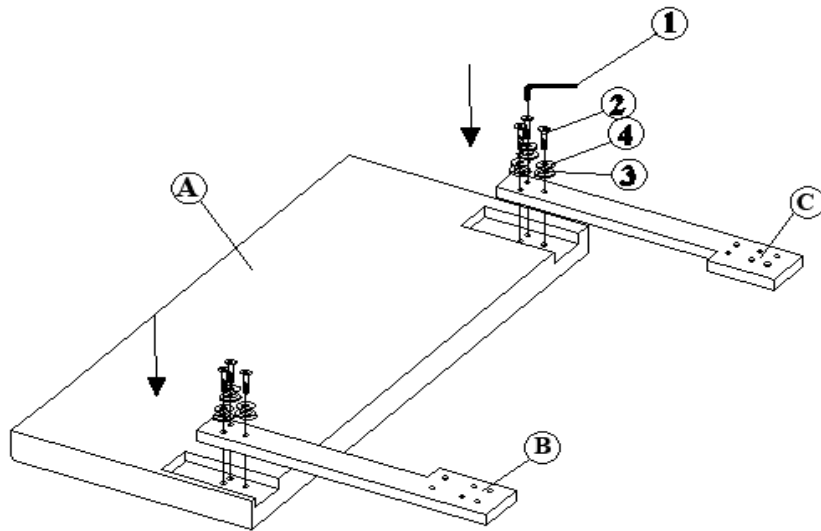
A	HEADBOARD PANEL		1PC
B	RIGHT HEADBOARD LEG		1PC
C	LEFT HEADBOARD LEG		1PC

## HARDWARE IDENTIFICATION

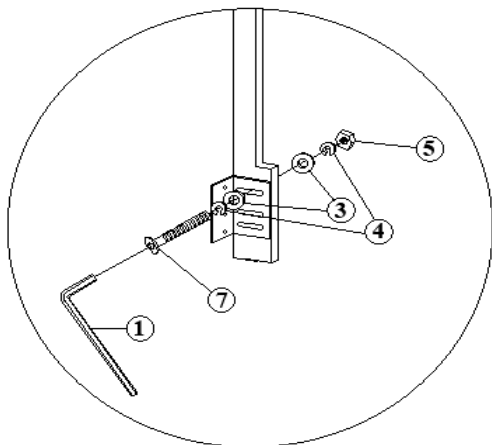
1	ALLEN WRENCH (M4-BLK)		1PC
2	SHORT BOLT (M6 x 40mm-RBW)		6PCS
3	FLAT WASHER (M6-RBW)		18PCS
4	LOCK WASHER (M6 - RBW)		18PCS
5	HEX NUT		6PCS
6	WRENCH		1PC
7	LONG BOLT (M6 x 45mm - BLK)		6PCS

# ASSEMBLY INSTRUCTIONS

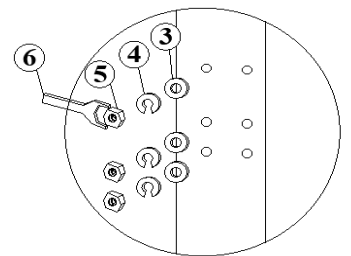
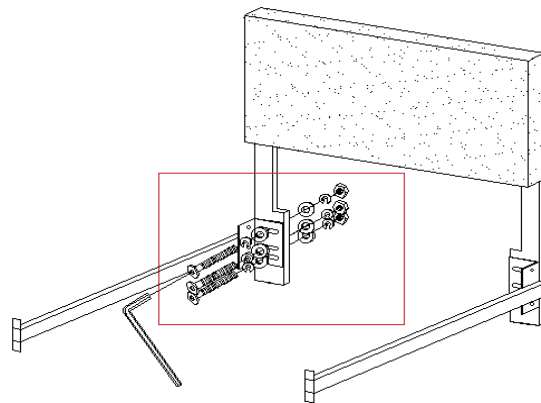
## STEP 1



## STEP 2



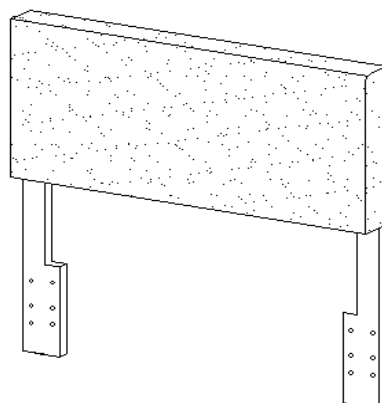
FRONT VIEW

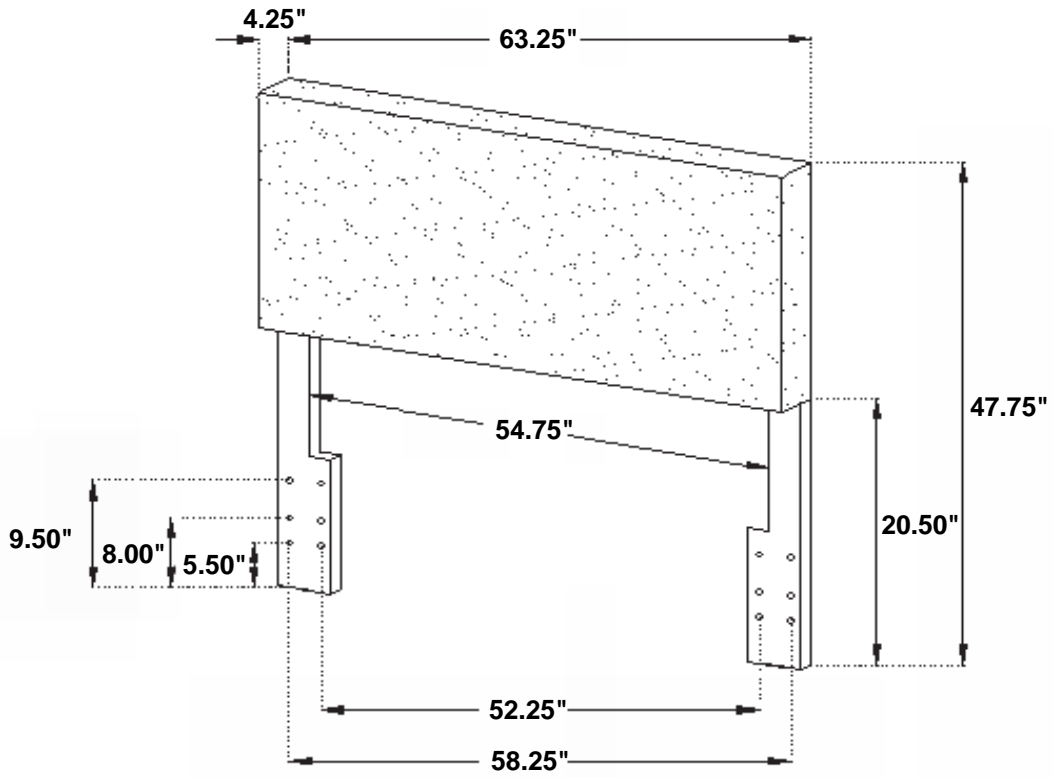


BACK VIEW

## STEP 3

### COMPLETE





Note: Dimension tolerance  $\pm 5\%$