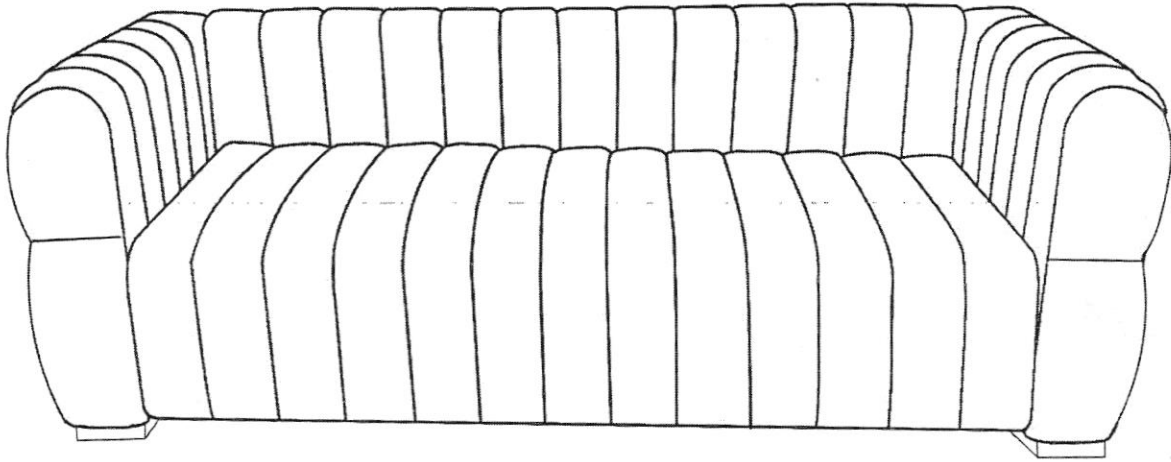


ASSEMBLY INSTRUCTIONS

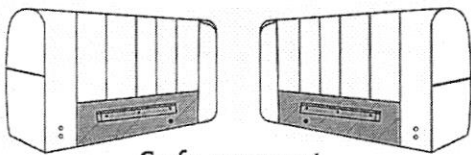
ITEM NO:S5820/S5821/S5822/S5823



Attention: *Please do not move the sofa after installation. If you need to move the sofa ,please disassemble the sofa first,and re-install it at your destination.
*Please keep this installation instruction for your future use.

Package I

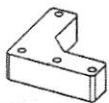
G



Sofa armrest

Package II

A



Legs
4pcs

B



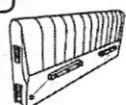
Angle brachet
2pcs

C



Bolt
12pcs

D



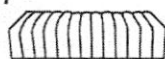
Sofa Back 1pcs

E



Allen hey
1pcs

F



Seat Cushion
1pcs

H



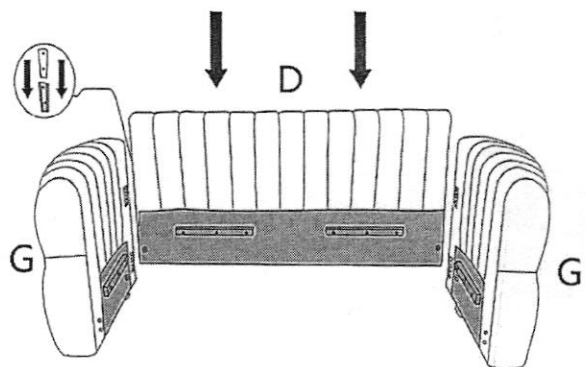
Corner code
2pcs

I

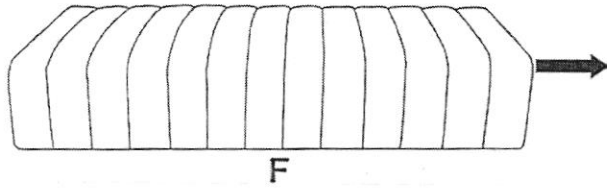


BOT 8PCS

STEP 1



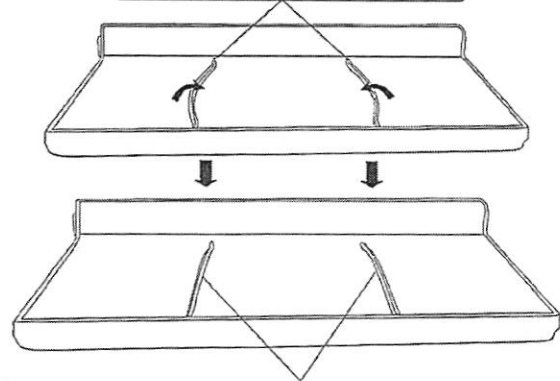
STEP 2



Turn the seat cushion around →

STEP 3

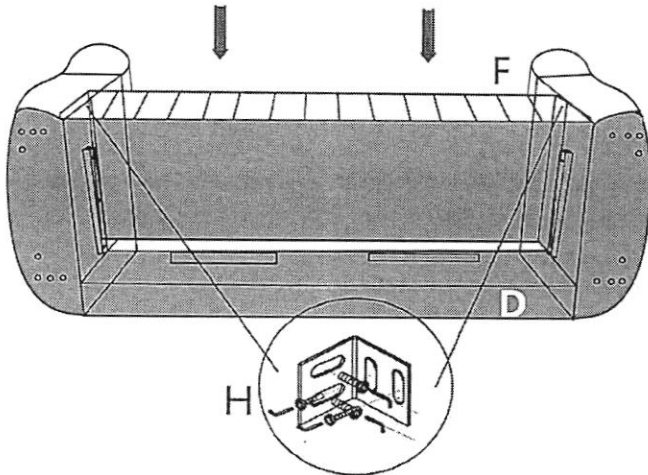
Rotate the metal pole into position
(It might take a lot of strength)



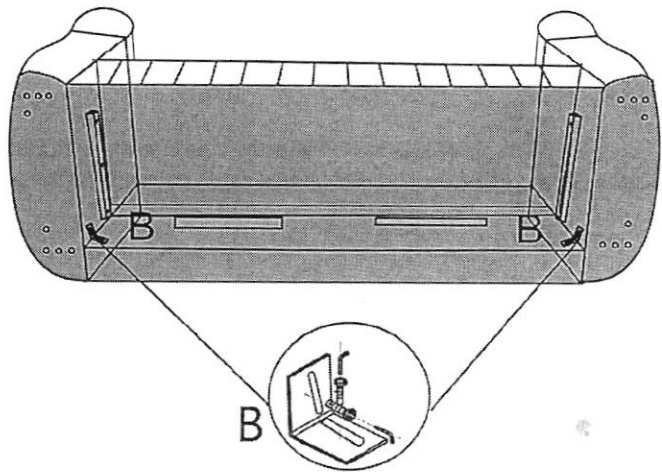
After the metal rod is up, proceed to the next step of installation

STEP 4

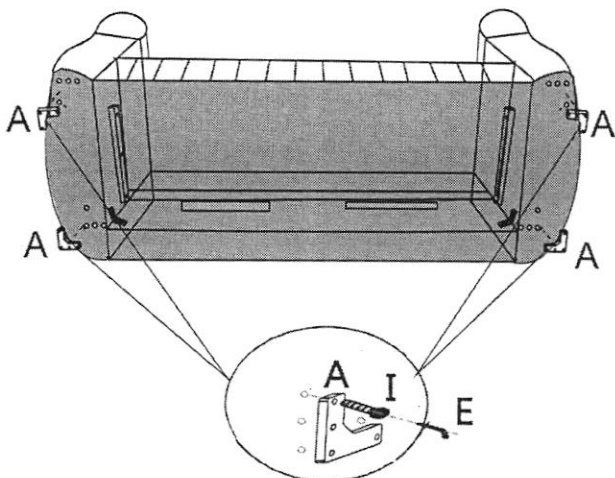
*Before installing part "H", confirm that part "D" and part "F" are securely attached.



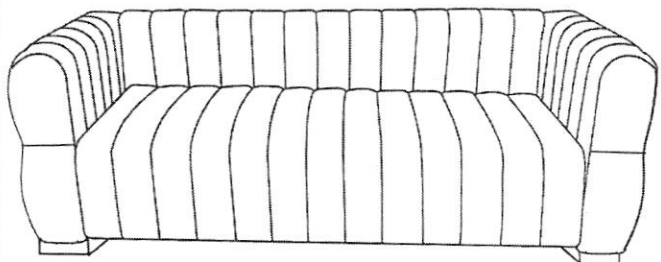
STEP 5











STEP 6



STEP 7



PACKING LIST			
MODEL NO:	S5820/S5821/S5822/S5823		
DES:	3SEAT SOFA		
PACKAGES:	1/2		
PARTS:	1.	PART A-LEGS 4PCS	 Legs 4pcs
	2.	PART B-ANGLE BRACHET 2PCS	 Angle brachet 2pcs
	3.	PART C-BOLT 12PCS	 Bolt 12pcs
	4.	PART D-SOFA BACK 1PCS	 Sofa Back 1pcs
	5.	PART E-ALLEN HEY 1PCS	 Allen hey 1pcs
	6.	PART F-SEAT CUSHION 1PCS	 Seat Cushion 1pcs
	7.	PART H-CORNER CODE 2PCS	 Corner code 2pcs
	8.	PART I-BOT 8PCS	 BOT 8PCS

