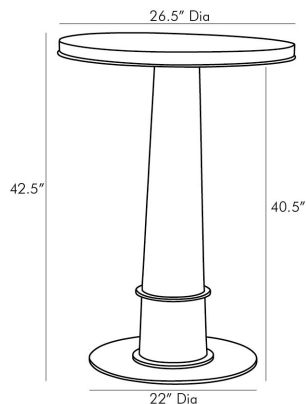


ARTERIOS

KAMILE PUB TABLE



6059

H: 42.5 IN, Dia: 29.50 IN

Smoke

Contract Recommendations: Adding a lacquer coating provides additional protection

A larger version of our Kamile Side Table, this pub-style stand has mastered the elements of mixed materials. A smoke gray stain adds a distressed feel to the solid oak, while the natural iron accents lend an industrial touch. A natural iron ring under the table top matches the iron base, which delivers a cohesiveness throughout this piece and creates additional support.

APPEARANCE

Material	Iron, Wood
Finish	Natural
Finish Will Vary	true
Top Coat/Sealant	false

DIMENSIONS

Foot Print	Dia: 22.00 IN
Table Top	H: 1.5 IN, Dia: 29.50 IN
Clearance	40.5

SHIPPING

Shipping Requirements	TruckShip
Product Weight	115.5 LBS
Gross Weight 1	49.1 LBS
Shipping Box 1	H: 33 IN, L: 33 IN, W: 5 IN

CONTRACT

Contract Suitable	Adding a lacquer coating provides additional protection
-------------------	---