

**TOOLS REQUIRED**

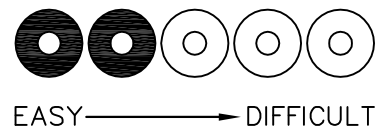


**Allen Wrench**  
(Included)



**2 - Persons**  
Recommended

**ASSEMBLY RATING**

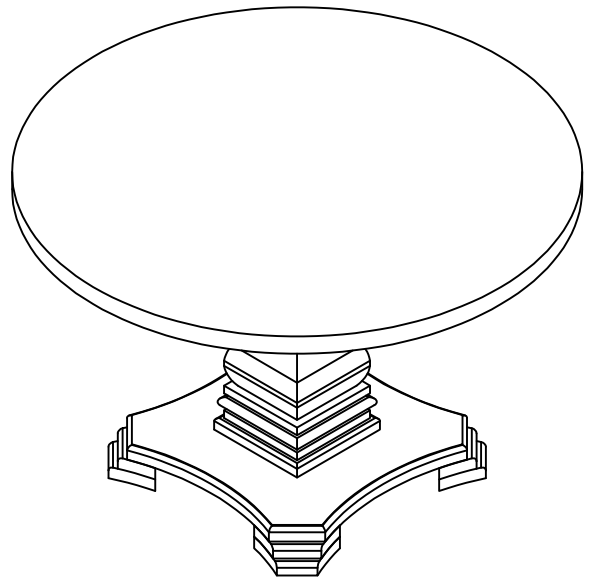


The Assembly Rating is a 5-point system showing the level of effort needed to assemble a specific product.

# TABLE



- Please keep instructions for future reference.
- Check the quantity and irregularity of parts and hardware before you start.



## PARTS

#1 1pc

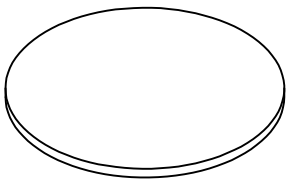


Table Top

#2 1pc

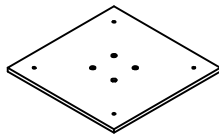


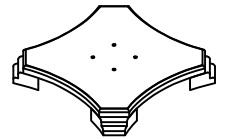
Table Top Support Panel

#3 1pc



Table Leg

#4 1pc



Base

## HARDWARE

#A 8pcs



Bolt  $\text{Ø}5/16'' \times 1-1/2''$

#B 4pcs



Bolt  $\text{Ø}5/16'' \times 2''$

#C 12pcs



Lock Washer  $\text{Ø}5/16''$

#D 12pcs



Flat Washer  $\text{Ø}5/16'' \times 3/4''$

#E 1pc



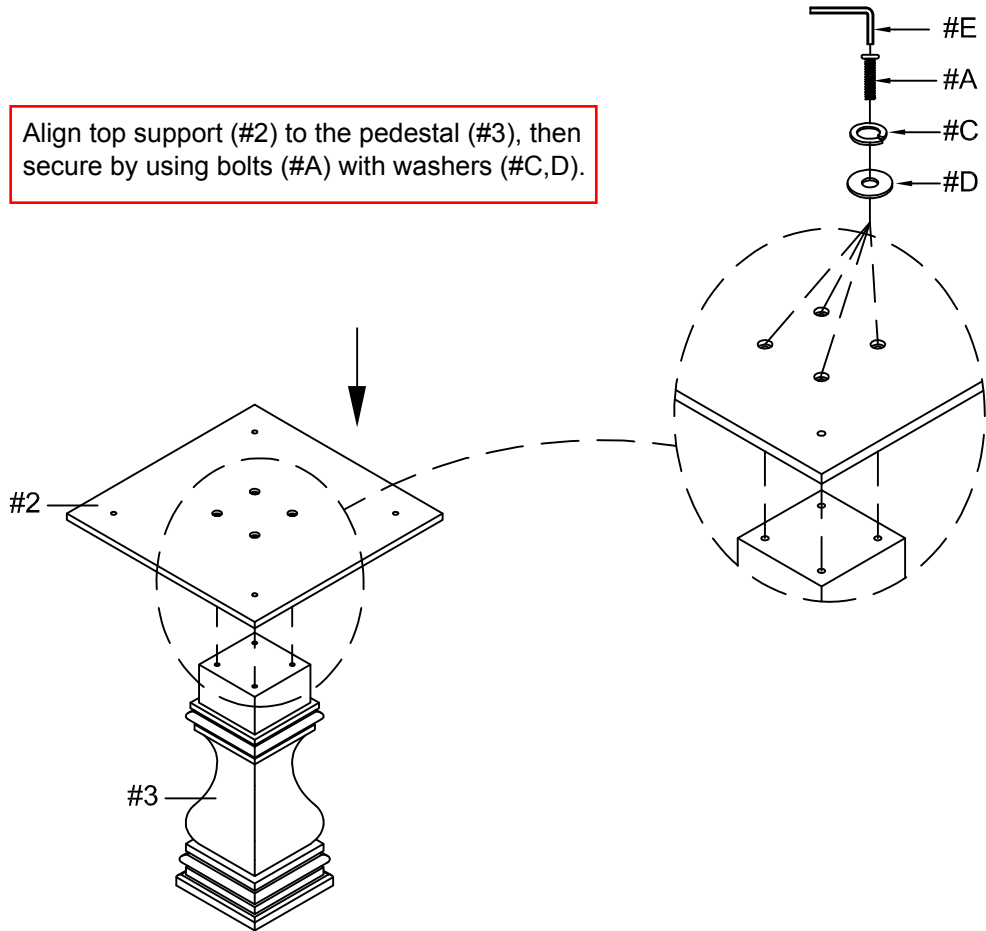
Allen Wrench  $\text{Ø}5\text{mm}$

# ASSEMBLY INSTRUCTIONS

## 1

- Part #2 x1pc
- Part #3 x1pc
- Hardware #A x4pcs
- Hardware #C x4pcs
- Hardware #D x4pcs
- Hardware #E x1pc

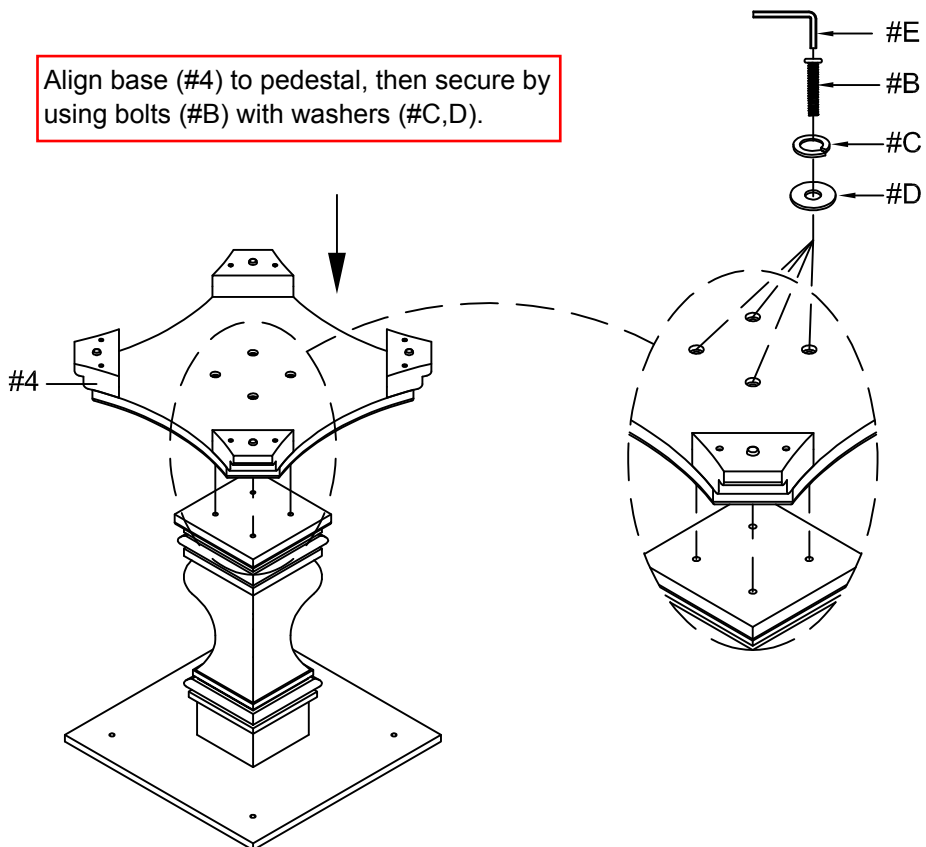
Align top support (#2) to the pedestal (#3), then secure by using bolts (#A) with washers (#C,D).



## 2

- Part #4 x1pc
- Hardware #B x4pcs
- Hardware #C x4pcs
- Hardware #D x4pcs
- Hardware #E x1pc

Align base (#4) to pedestal, then secure by using bolts (#B) with washers (#C,D).

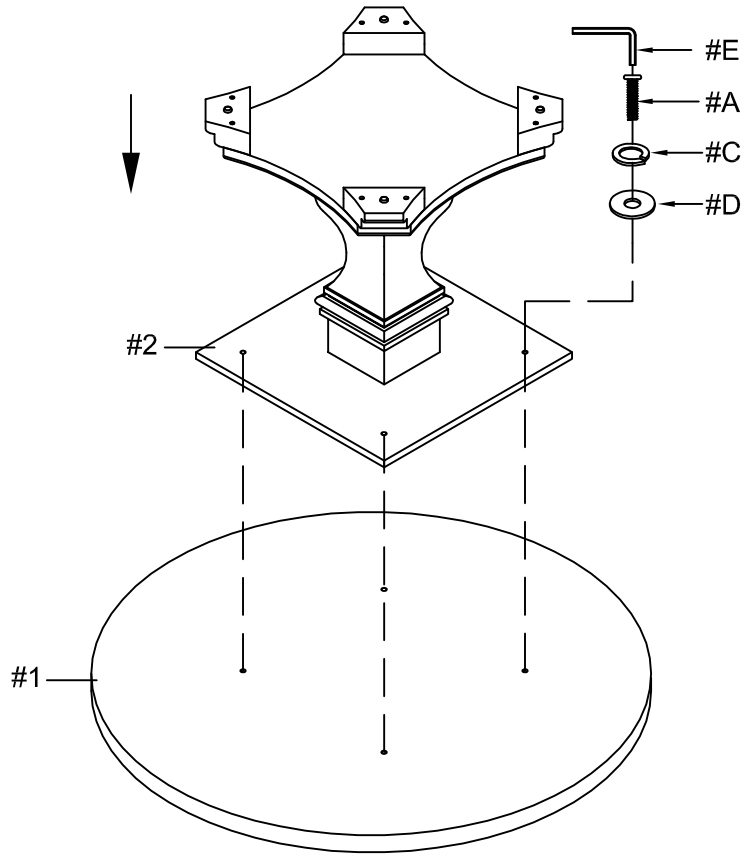


# ASSEMBLY INSTRUCTIONS

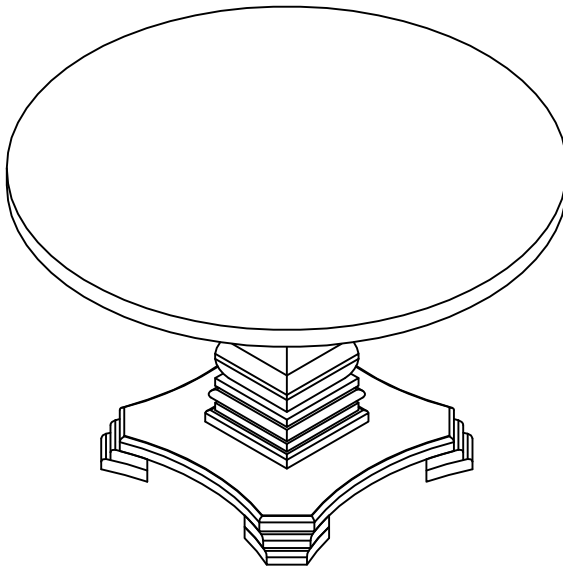
Align top support (#2) to table top (#1), then secure by using bolts (#A) with washers (#C,D).

## 3

- Part (#1) x1pc
- Hardware (#A) x4pcs
- Hardware (#C) x4pcs
- Hardware (#D) x4pcs



## 4



### ASSEMBLY COMPLETED



Please ensure the furniture rests on an even and flat surface. If the product wobbles or feels loose, double-check all bolts and/or screws are properly tightened and secured.



#### Keep this handy!

Please retain this instruction manual and any order-related information for future reference.



#### Lift, don't drag!

To avoid damage to product please always LIFT the product when transporting or adjusting the placement.