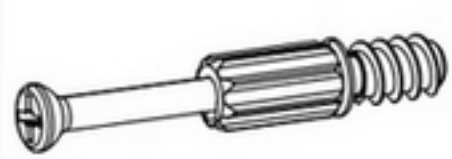
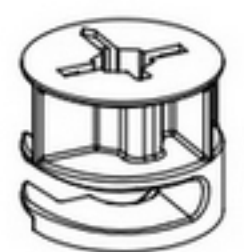



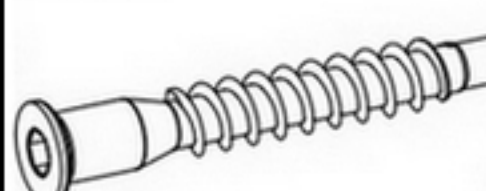




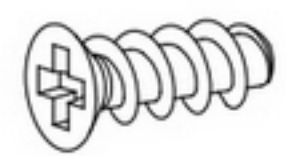
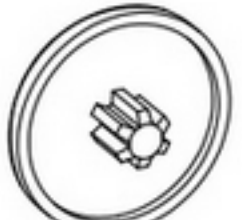
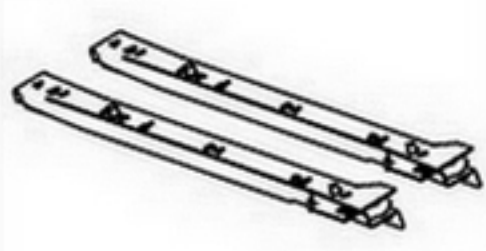



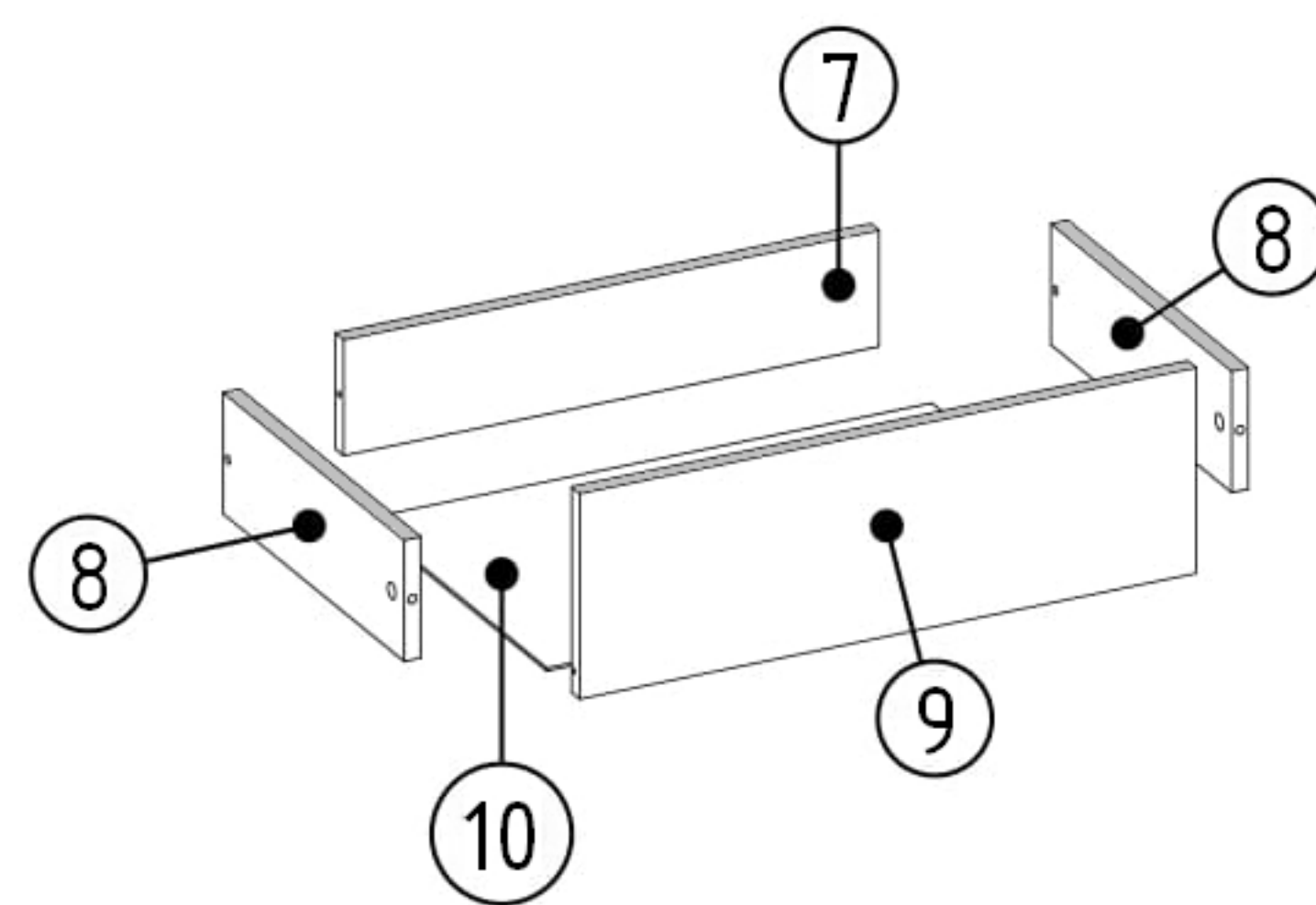
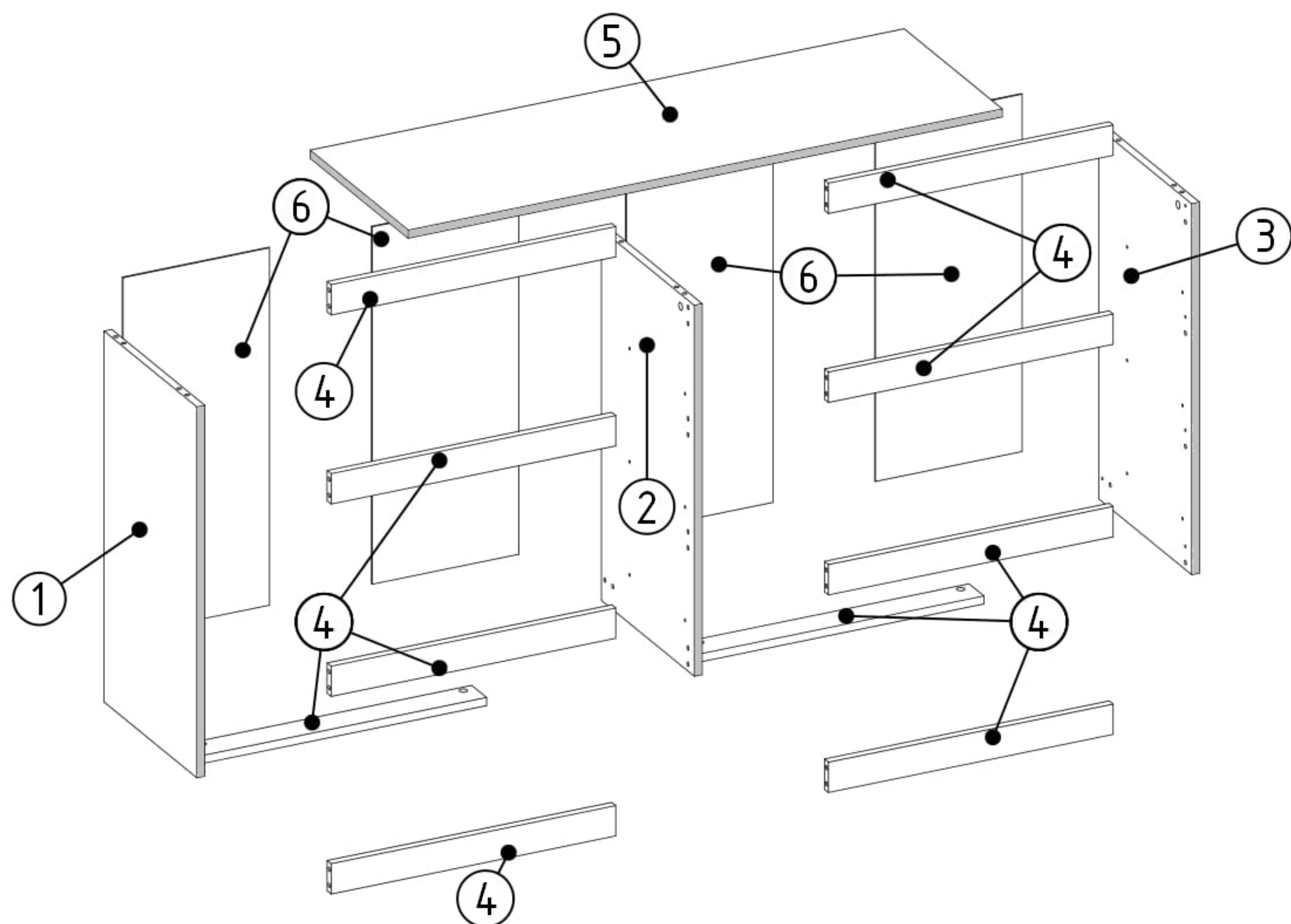
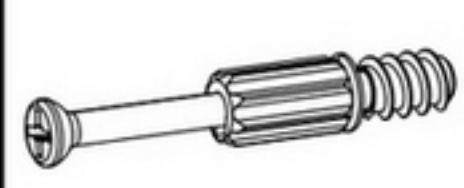
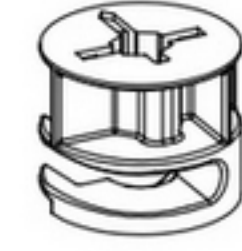
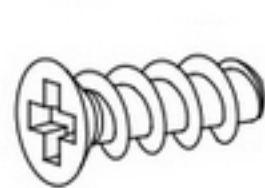


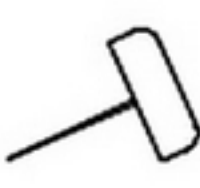


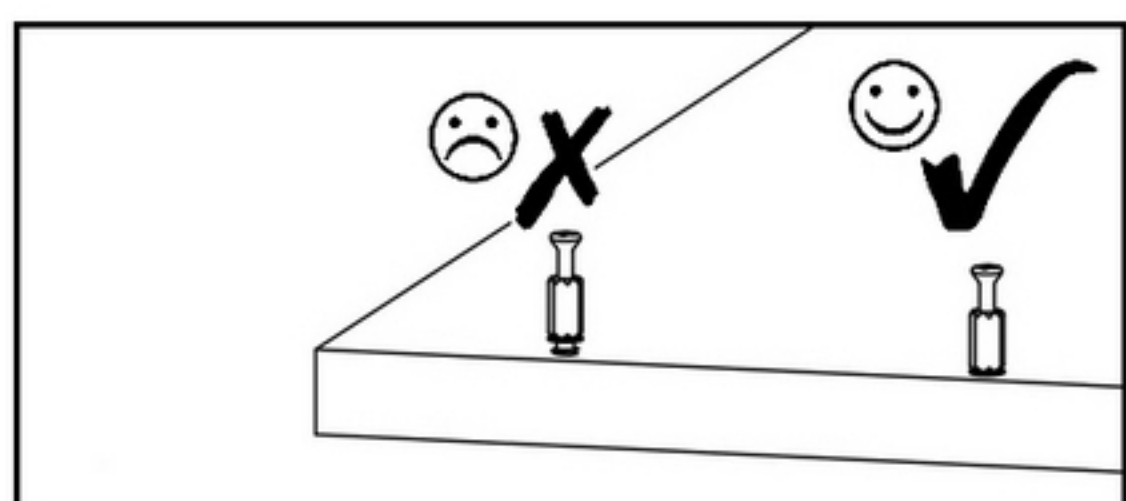
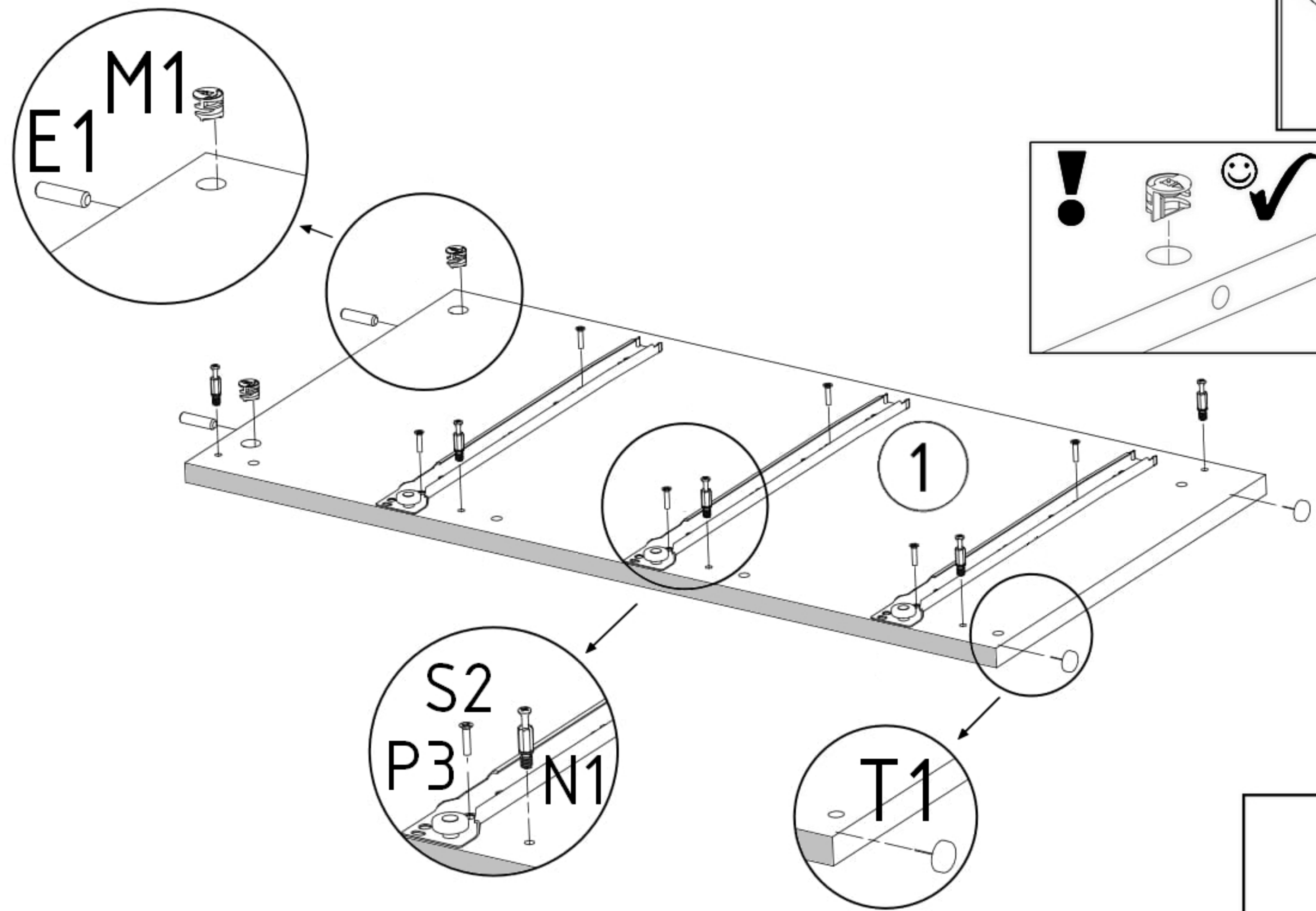
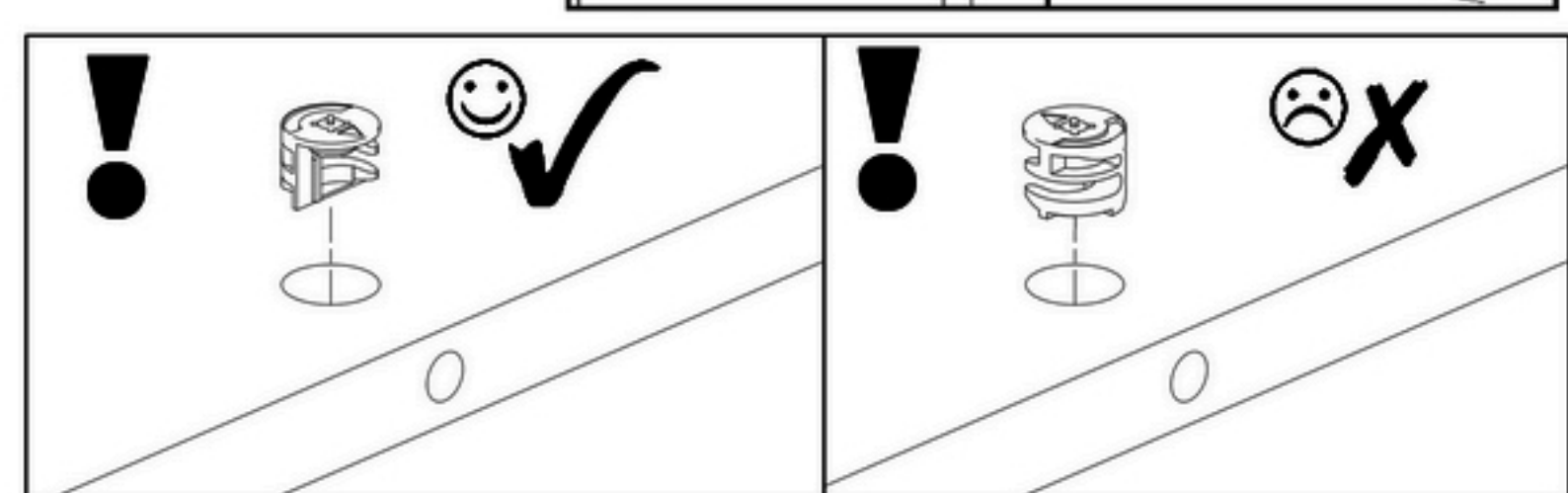
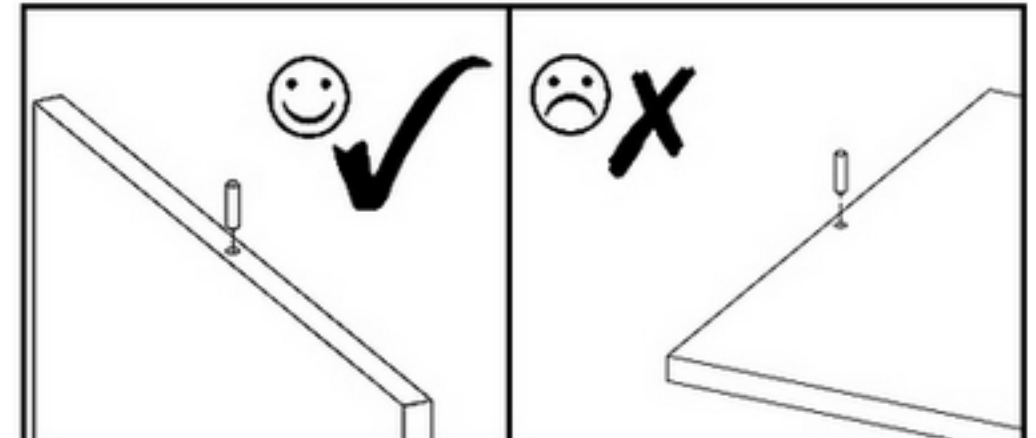
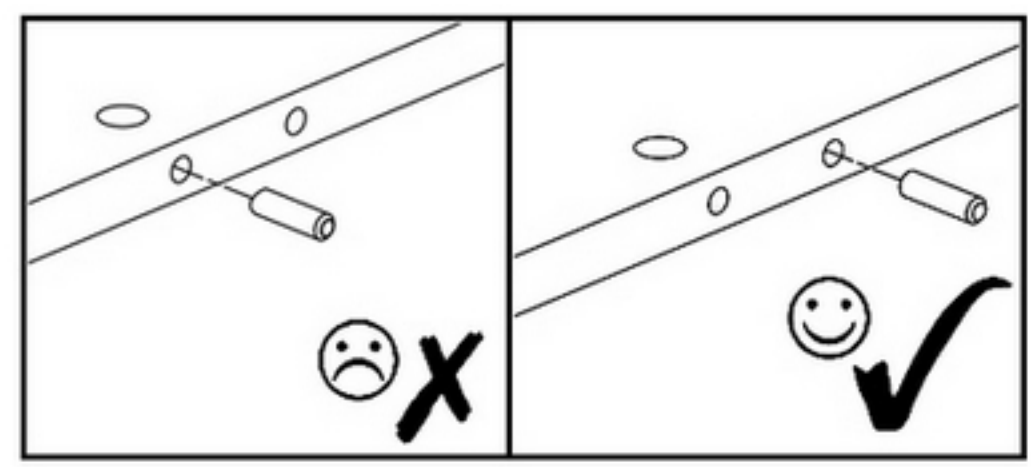
<b>N1</b>  L=35mm x28	<b>M1</b>  12x15mm x38	<b>S1</b>  3,5x16mm x24	<b>E1</b>  8x30mm x16	<b>E4</b>  8x50mm x5	<b>F1</b>  7x50mm x12	<b>K2</b>  x1	<b>N4</b>  L=62mm x5
<b>T1</b>  x6	<b>Z1</b>  x90	<b>S2</b>  6x8mm x24	<b>M2</b>  ø16mm x12	<b>P3</b>  L=350mm x6	<b>L1</b>  L=688mm x2	<b>F3</b>  x1	<b>Z4</b>  x9




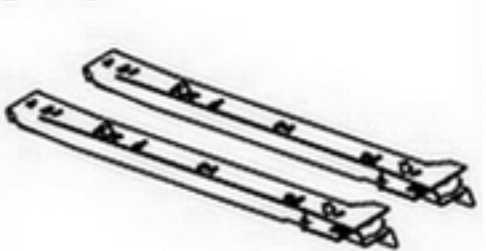


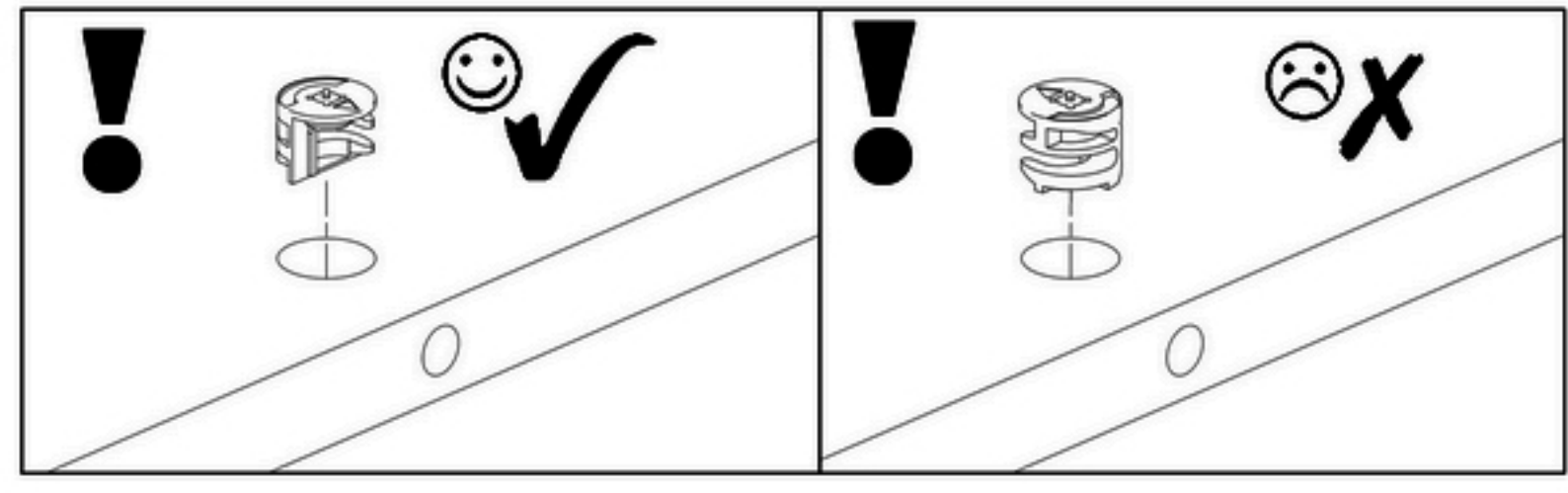
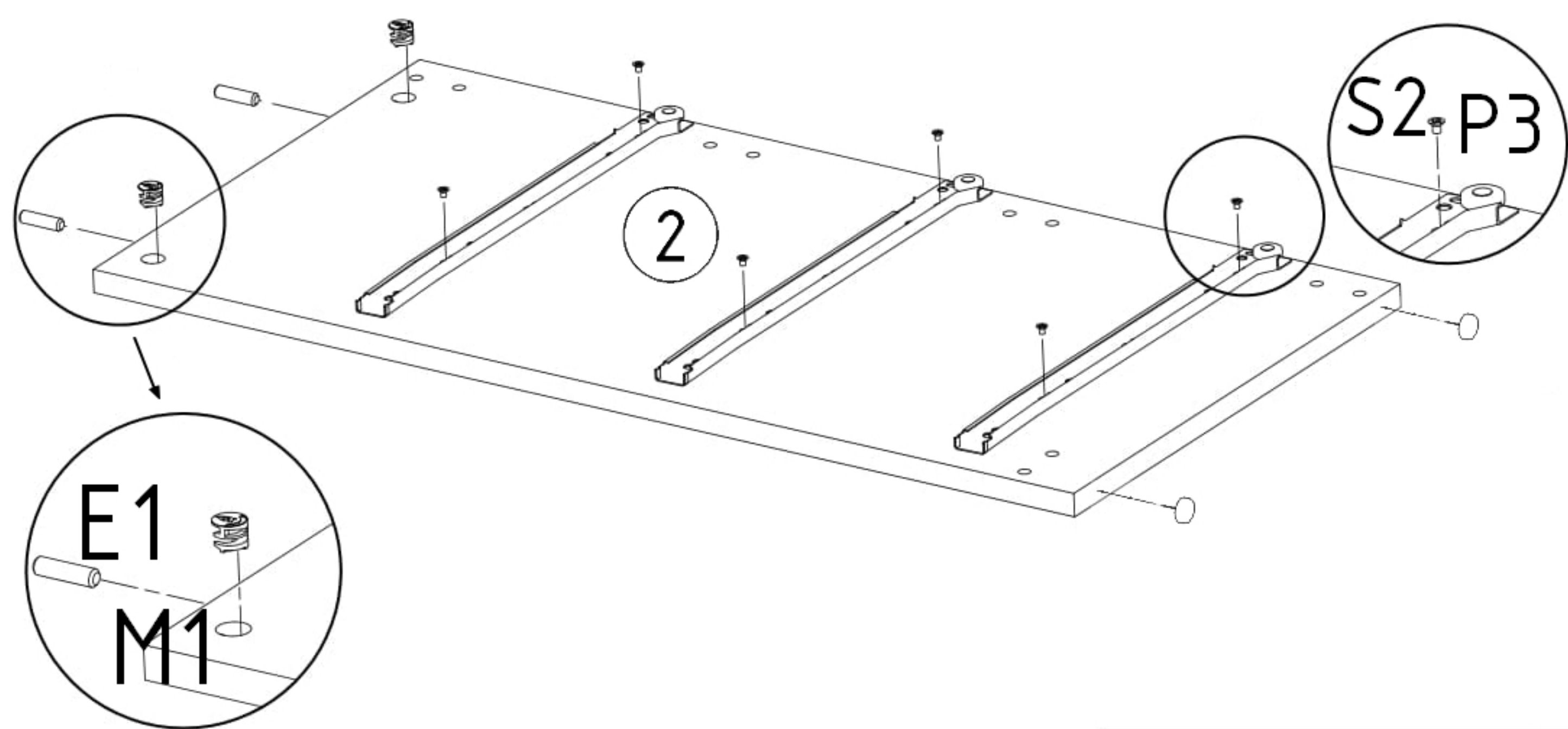
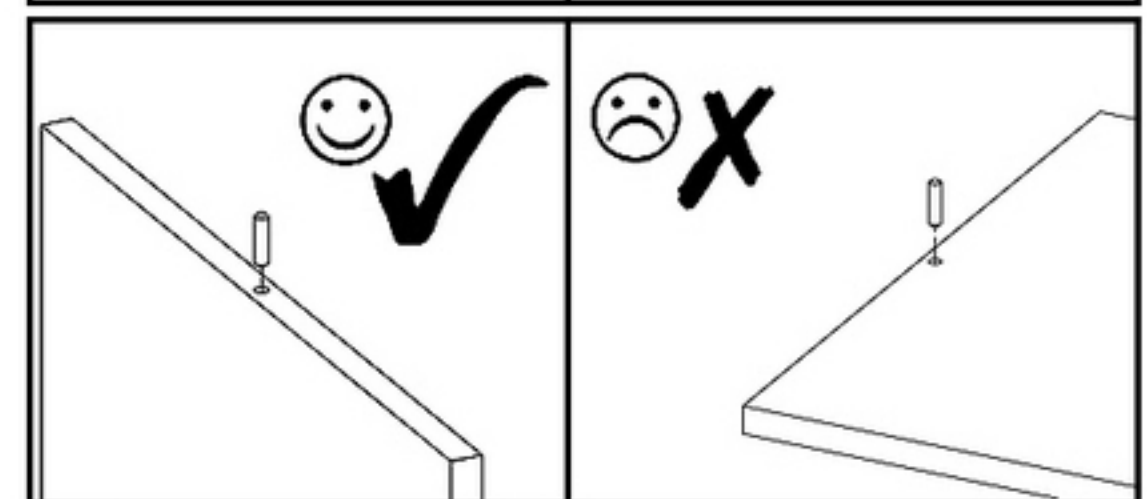
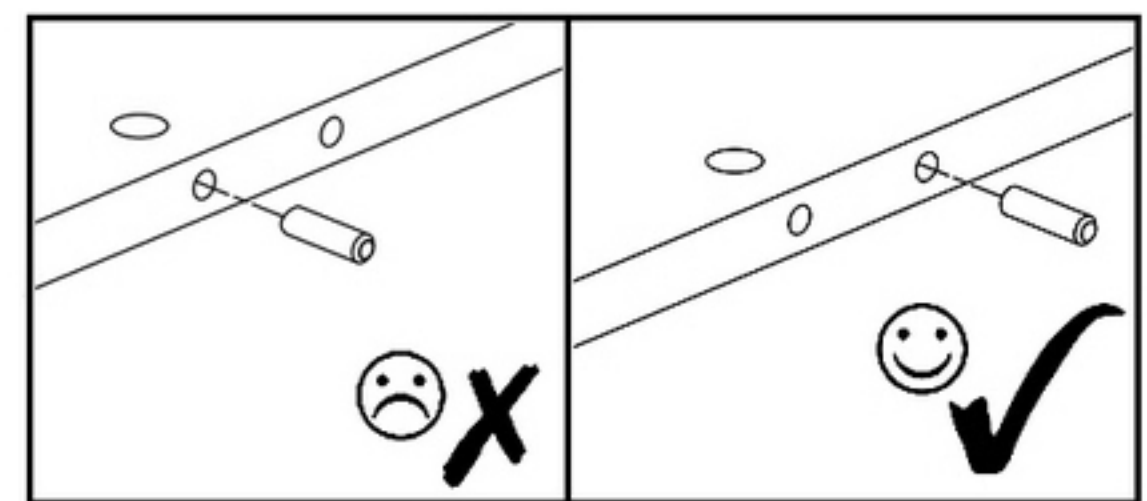
<b>1</b>	x	1
<b>2</b>	x	1
<b>3</b>	x	1
<b>4</b>	x	10
<b>5</b>	x	1
<b>6</b>	x	4
<b>7</b>	x	6
<b>8</b>	x	12

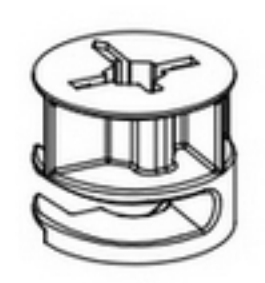
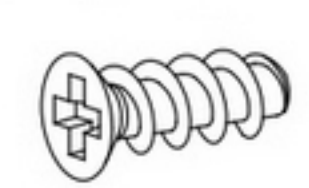


<b>9</b>	x	6
<b>10</b>	x	6

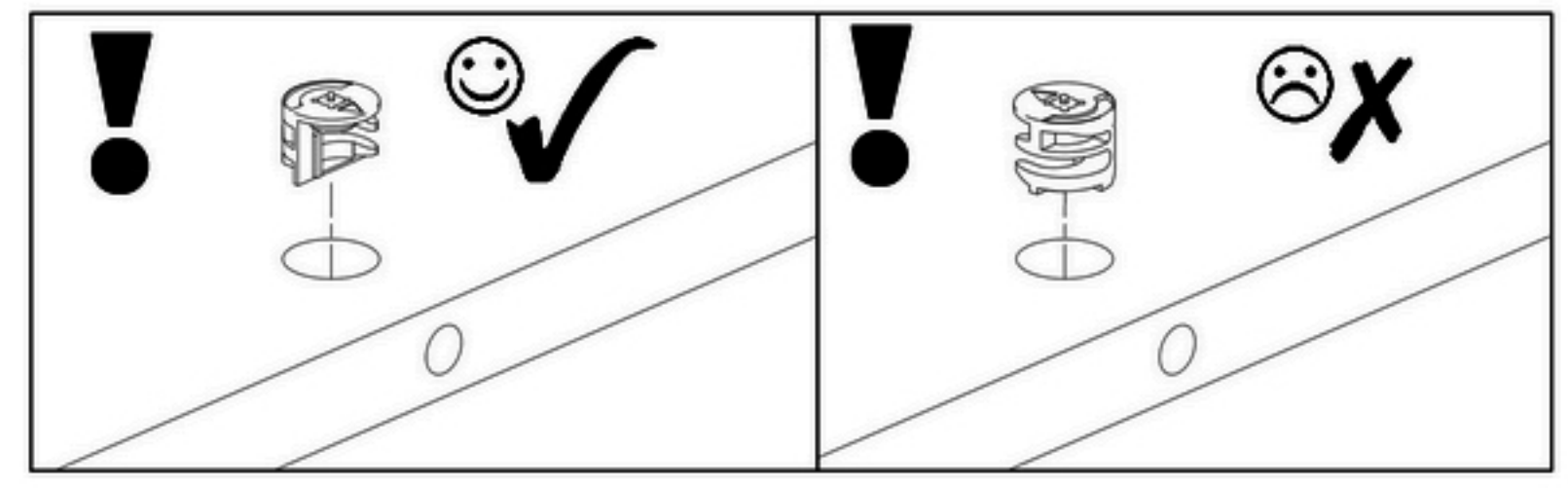
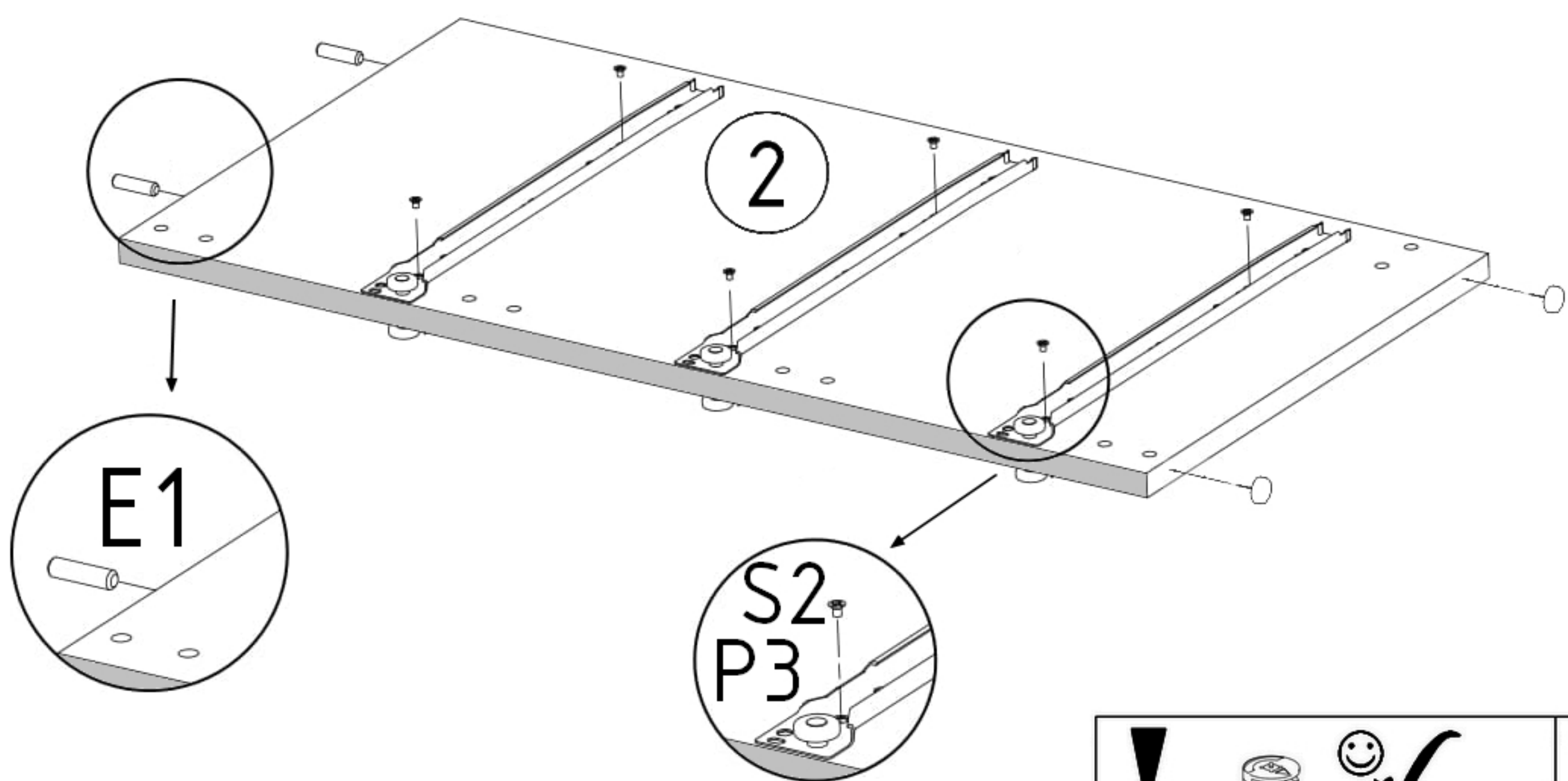
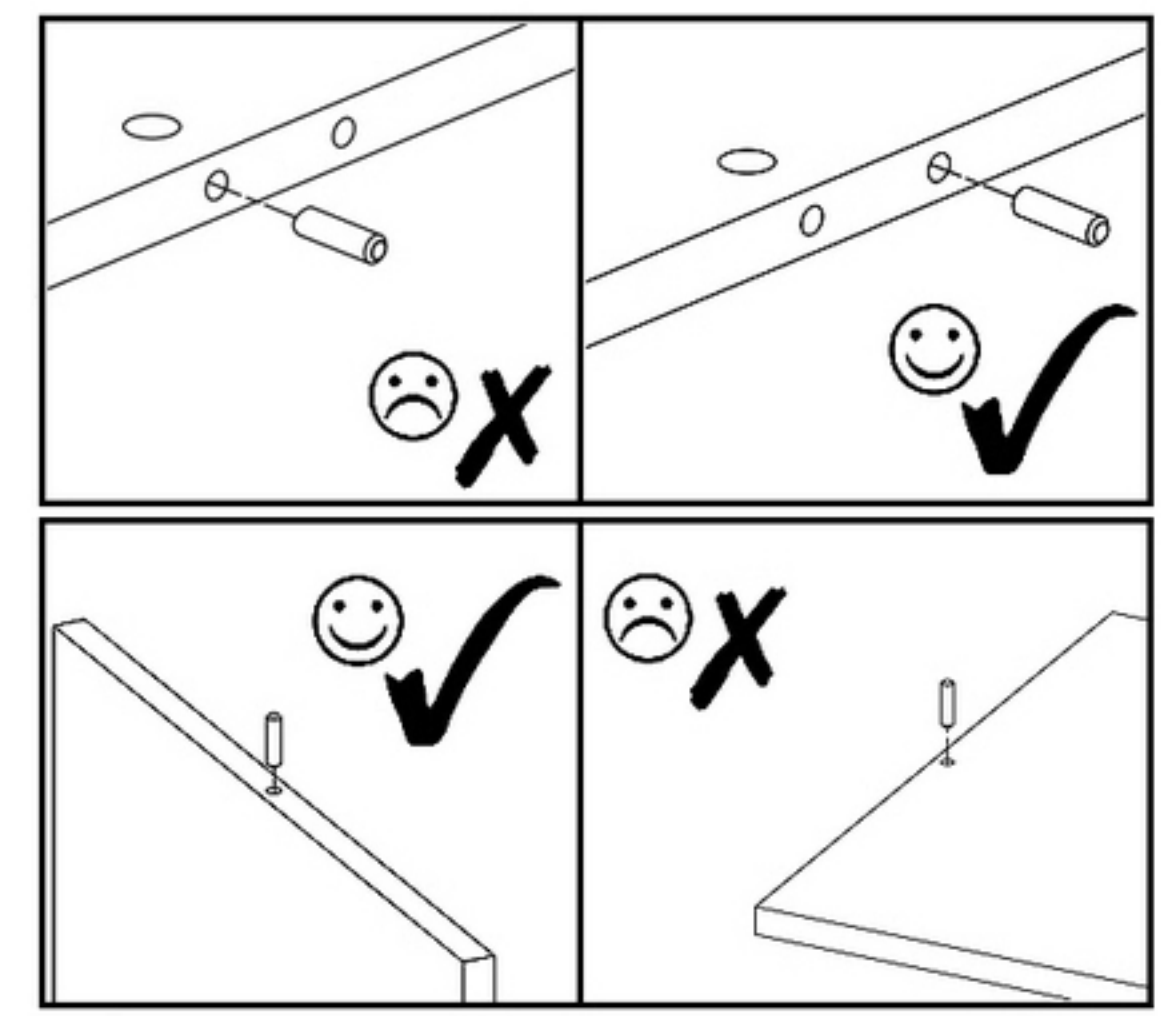
<b>N1</b>  L=35mm	<b>M1</b>  12x15mm	<b>S2</b>  6x8mm	<b>E1</b>  8x30mm	<b>P3</b>  L=350mm	<b>T1</b>  x2
<b>x5</b>	<b>x2</b>	<b>x6</b>	<b>x2</b>	<b>x3</b>	<b>x2</b>

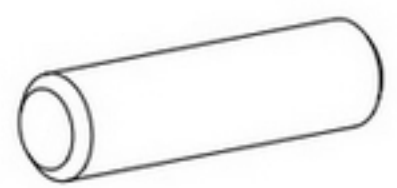
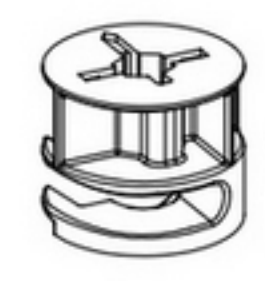


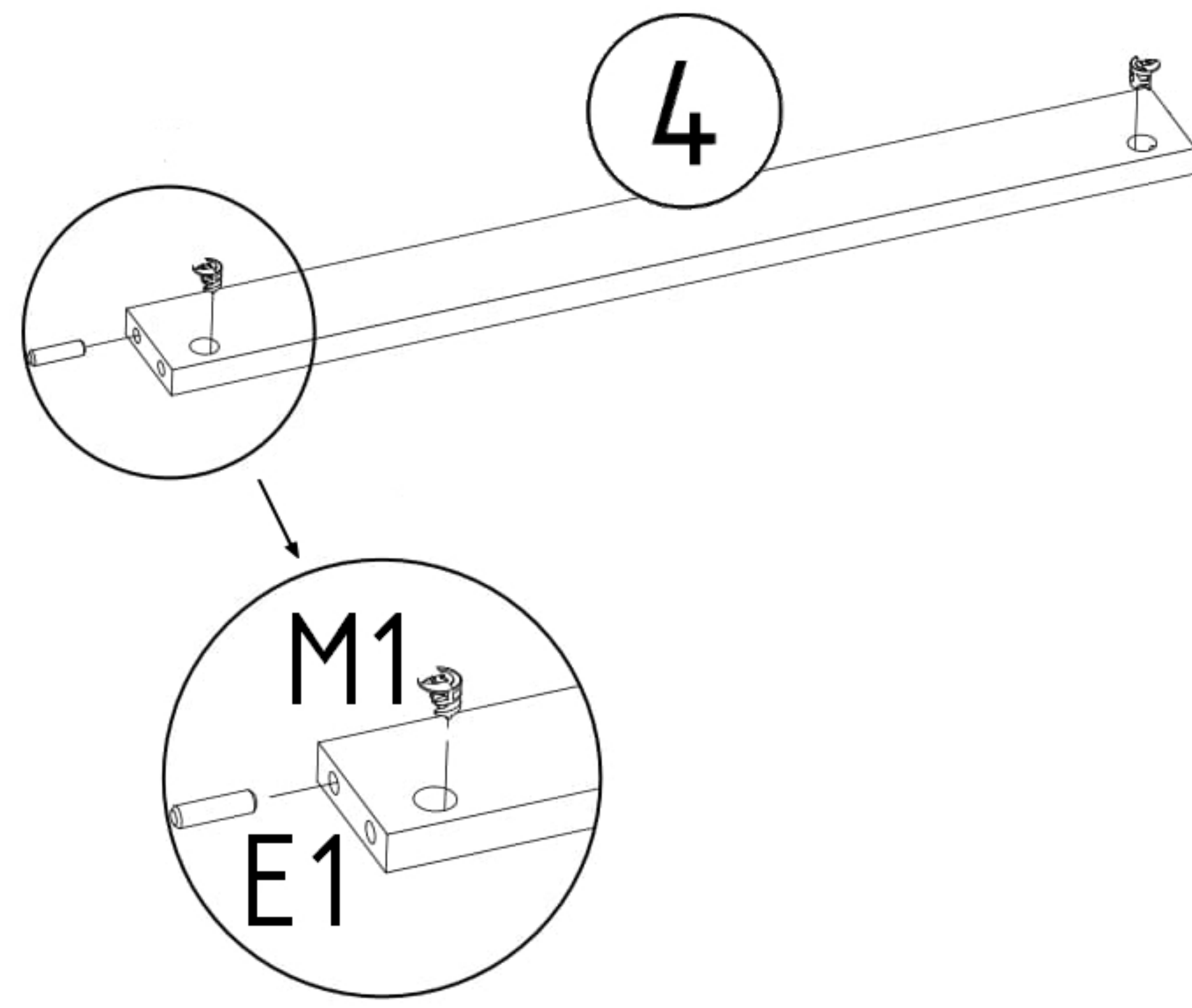
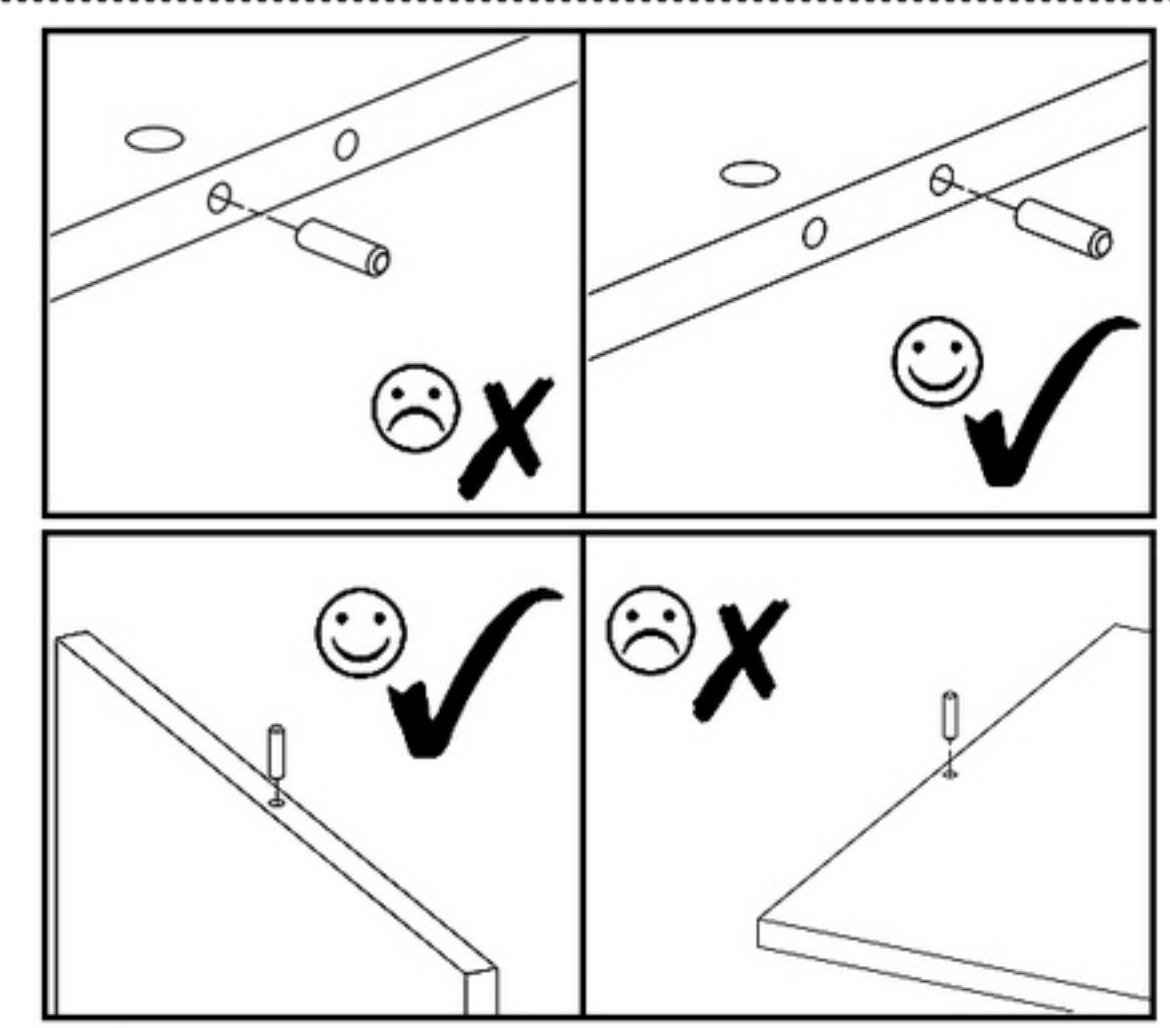
<b>M1</b>  12x15mm	<b>S2</b>  6x8mm	<b>E1</b>  8x30mm	<b>P3</b>  L=350mm
<b>x2</b>	<b>x6</b>	<b>x2</b>	<b>x3</b>



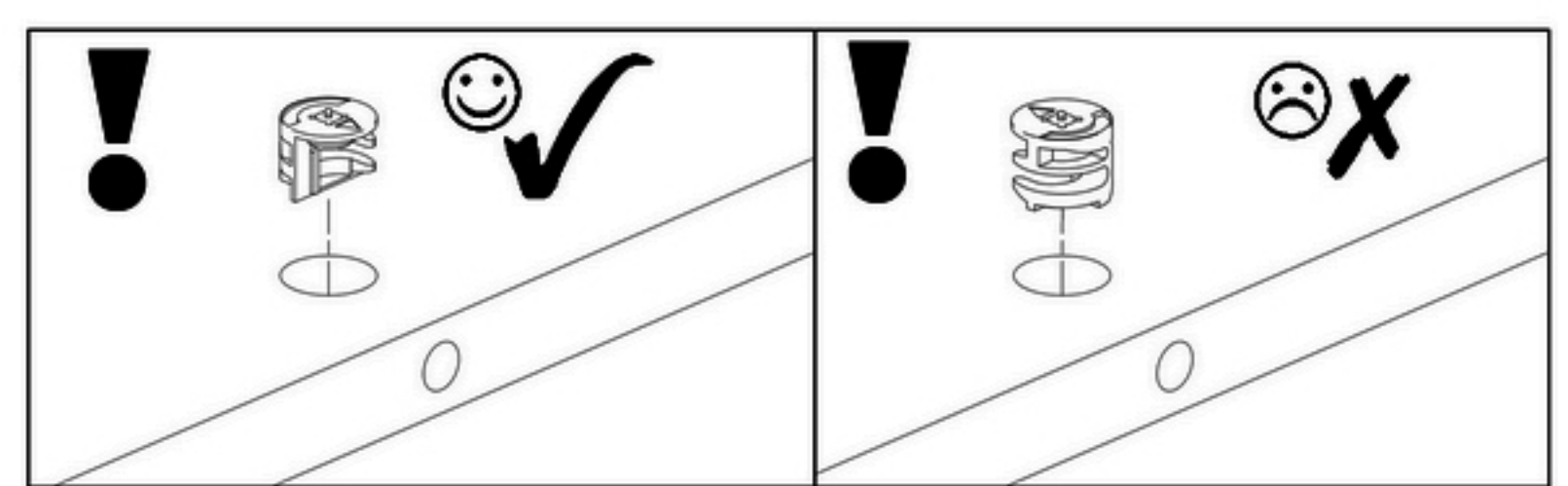
<b>M1</b>  12x15mm X2	<b>S2</b>  6x8mm X6	<b>E1</b>  8x30mm X2	<b>P3</b>  L=350mm X3
---	--	---	---


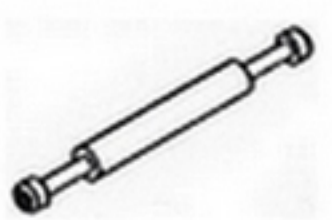


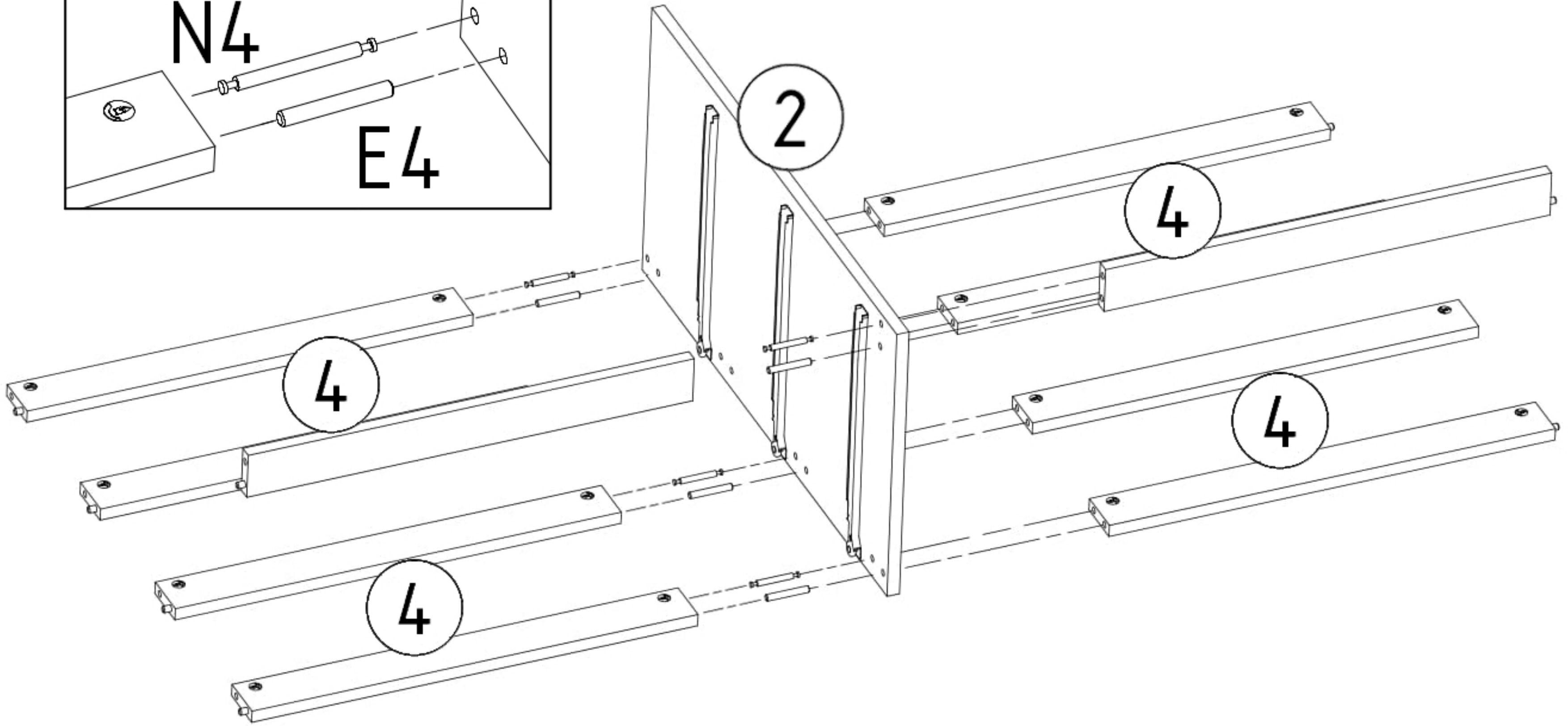
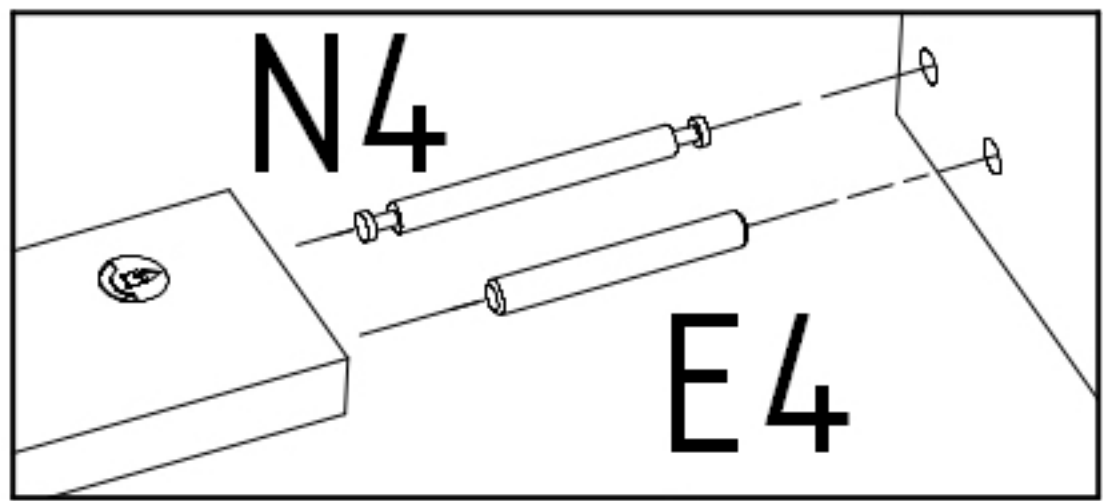
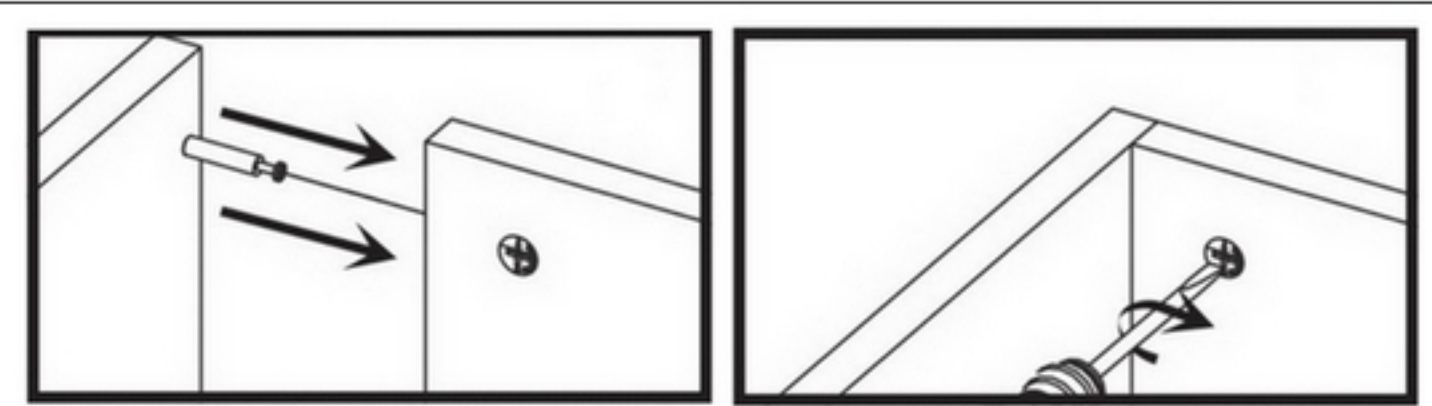
<b>E1</b>  8x30mm X10	<b>M1</b>  12x15mm X20
---	---

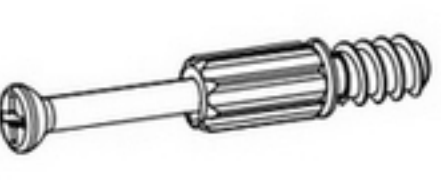
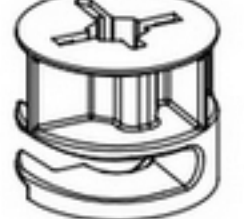






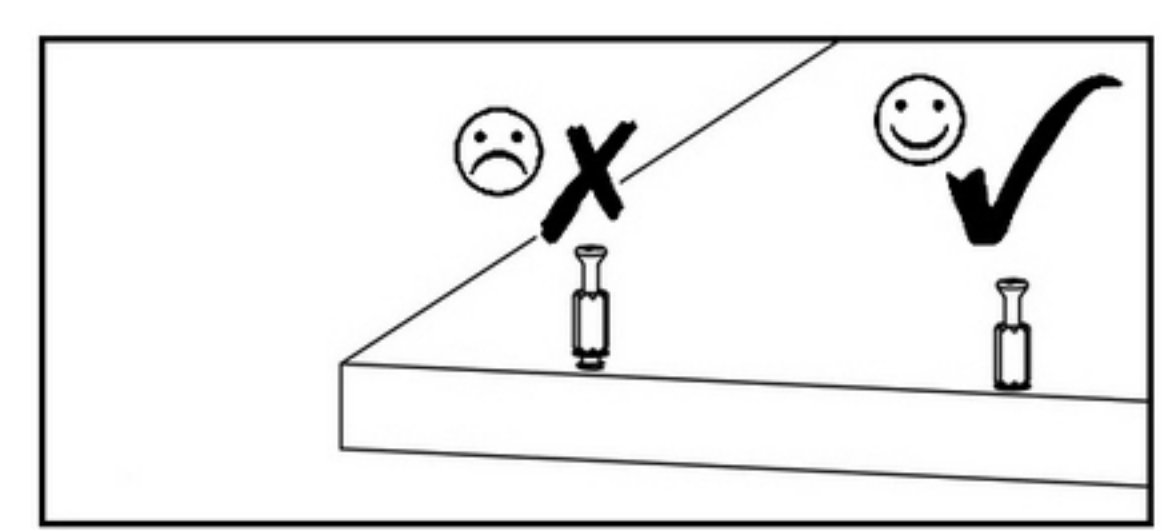
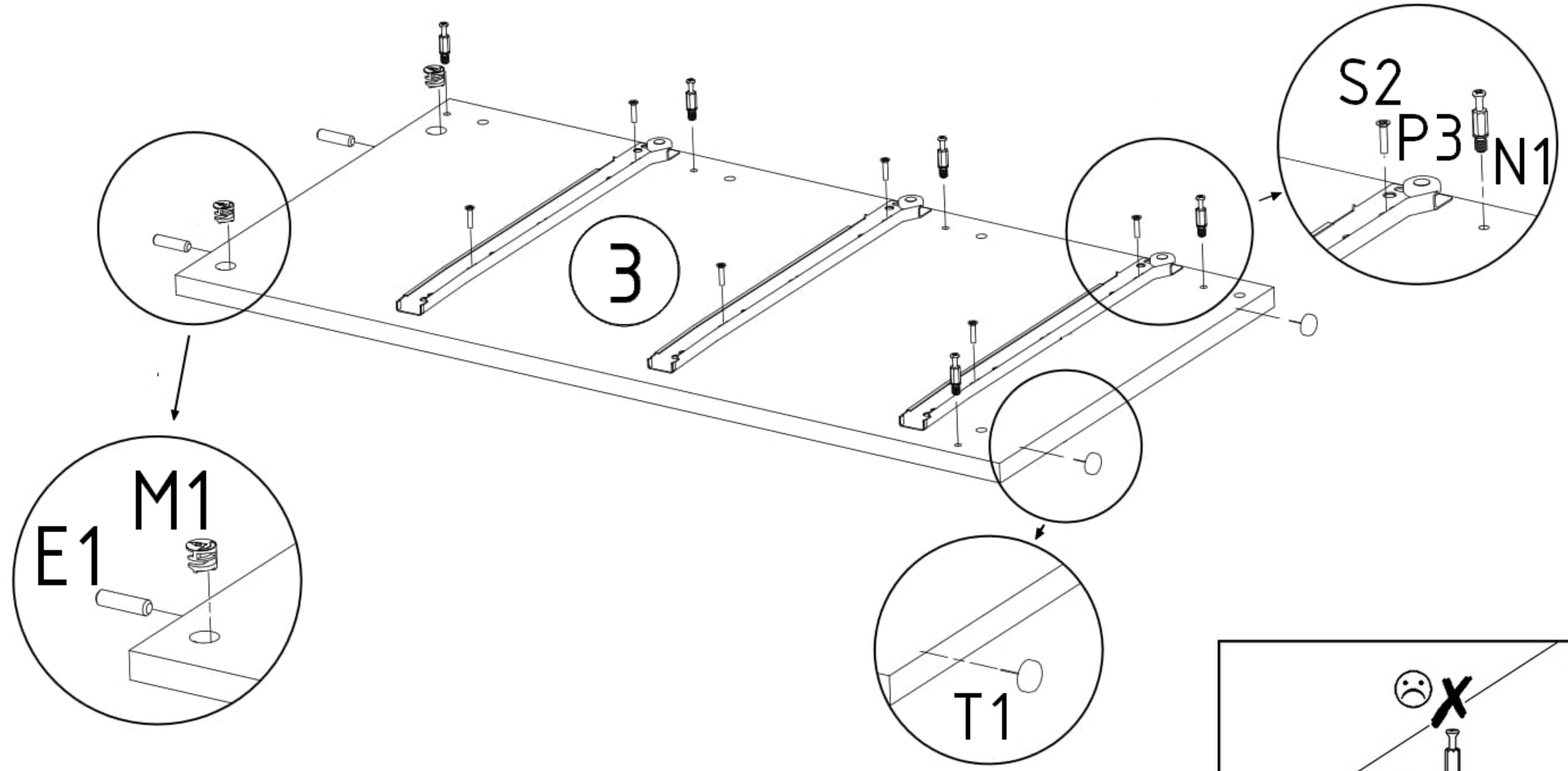
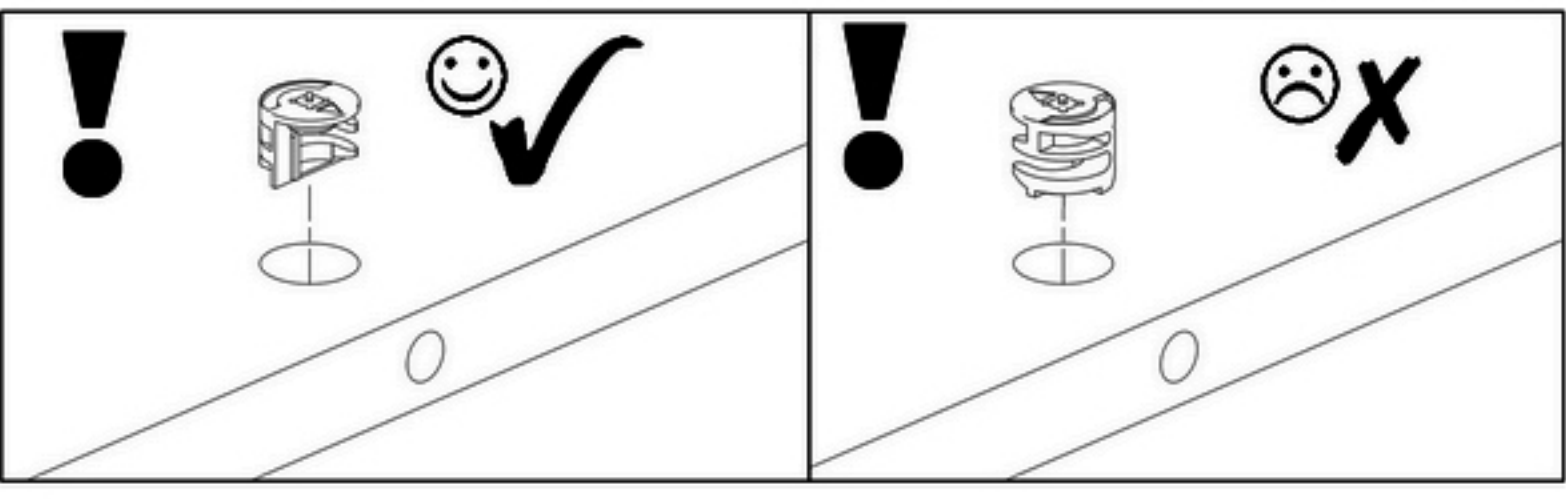
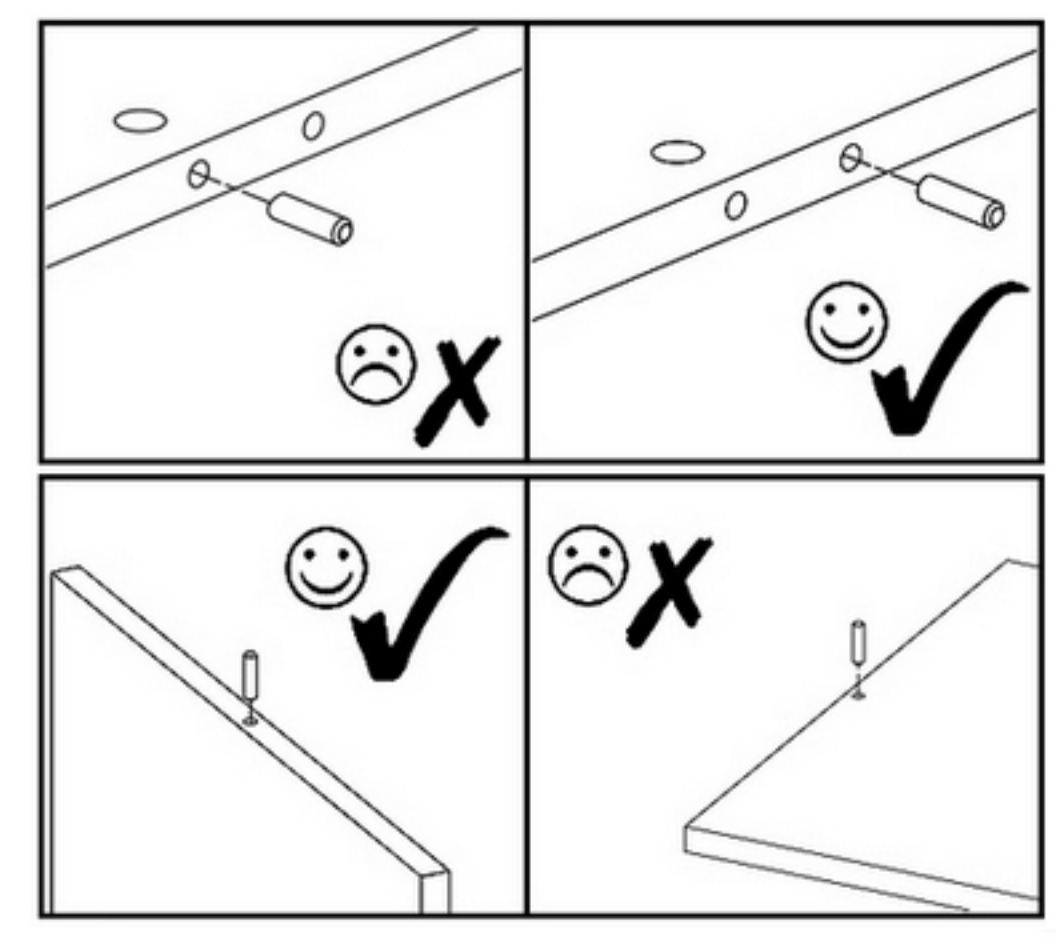
x10

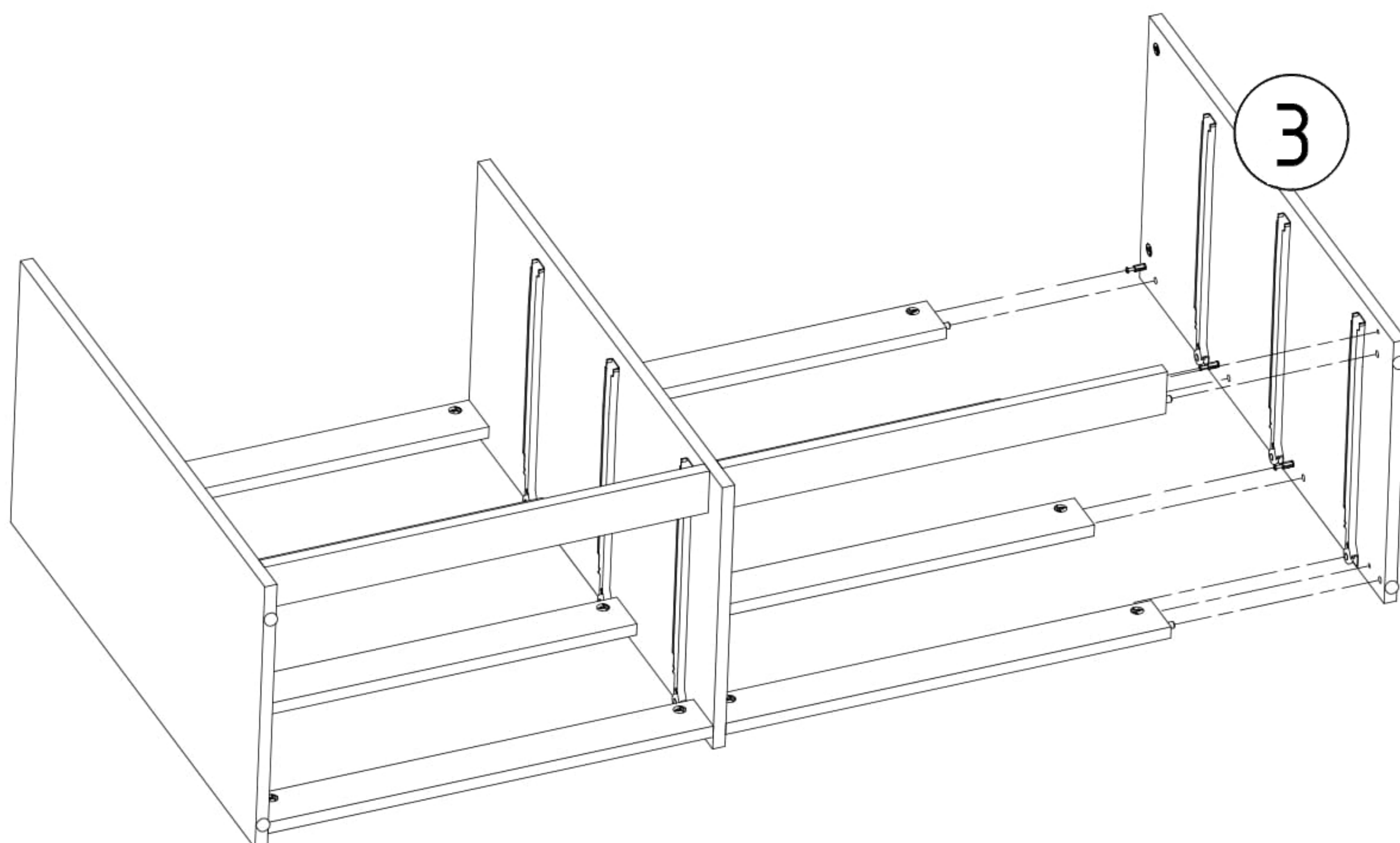
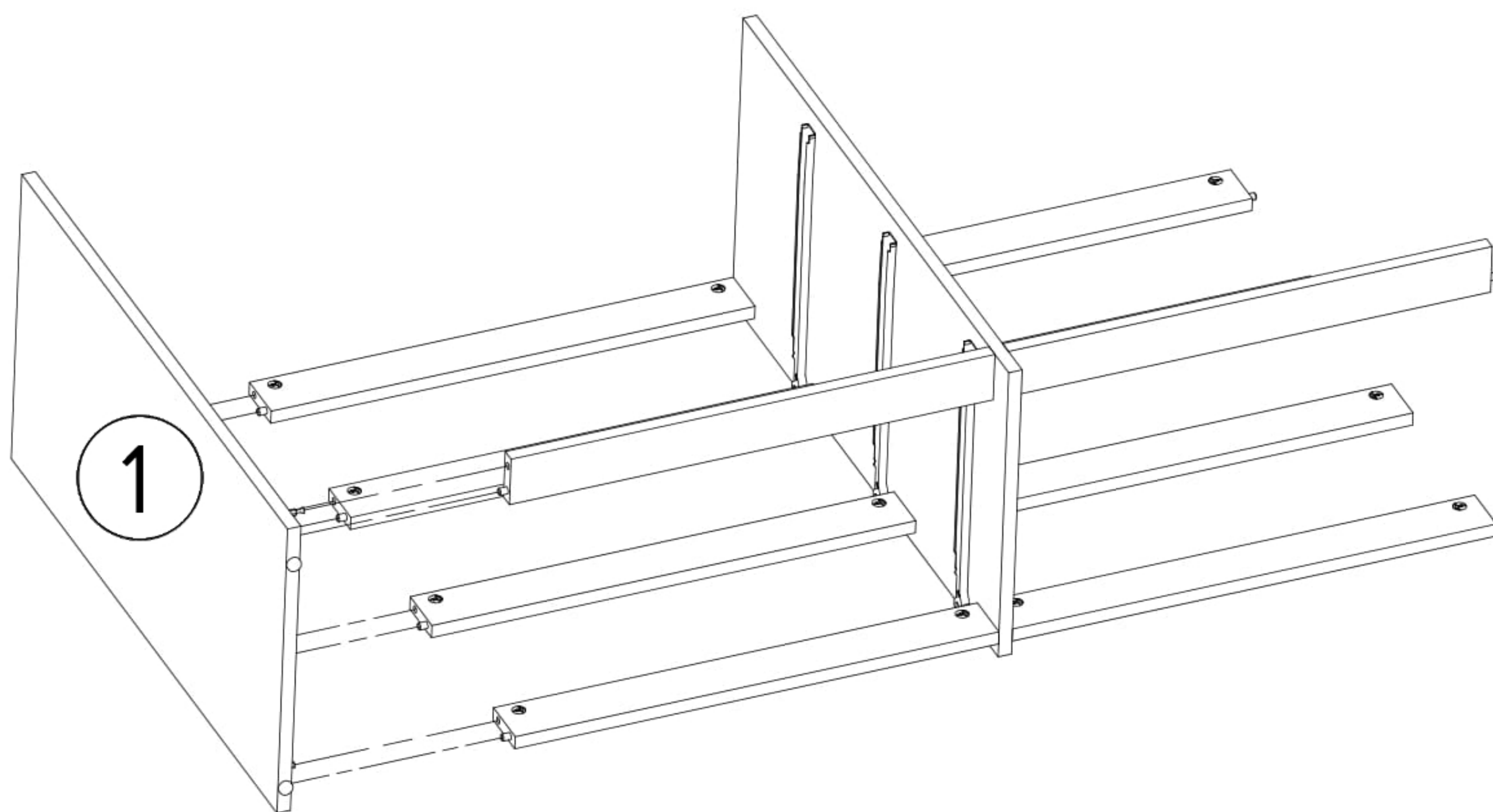
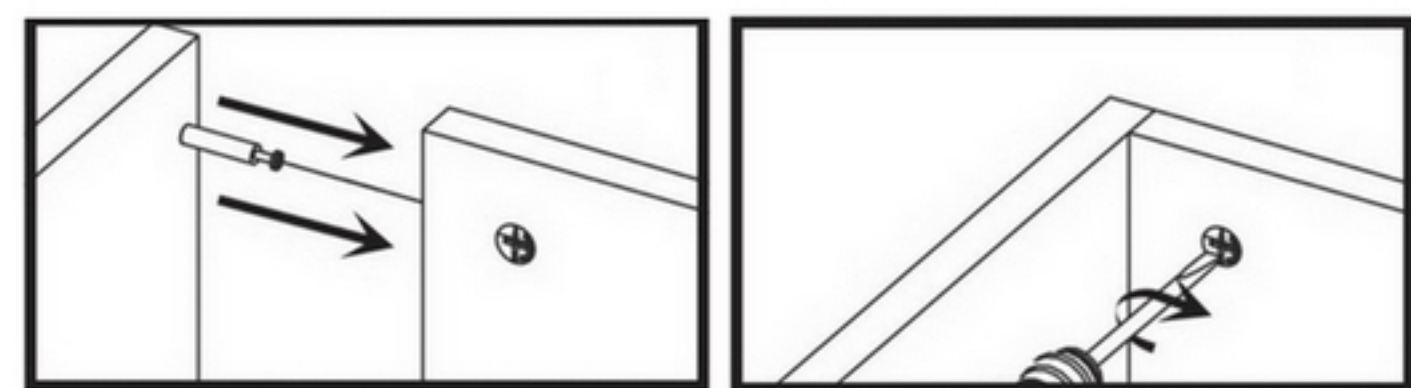


<b>E4</b>  8x50mm x5	<b>N4</b>  L=56mm x5
--	---

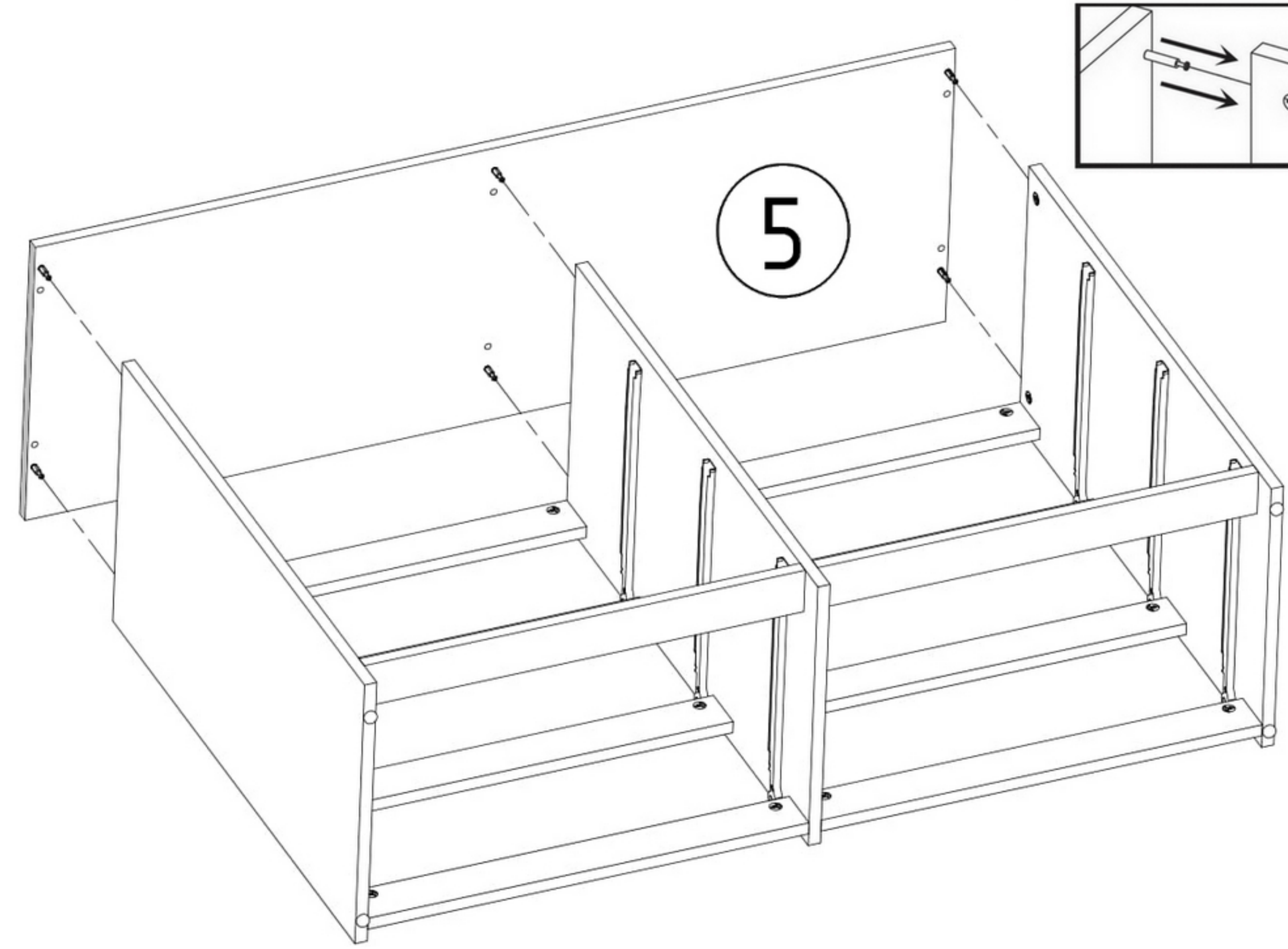
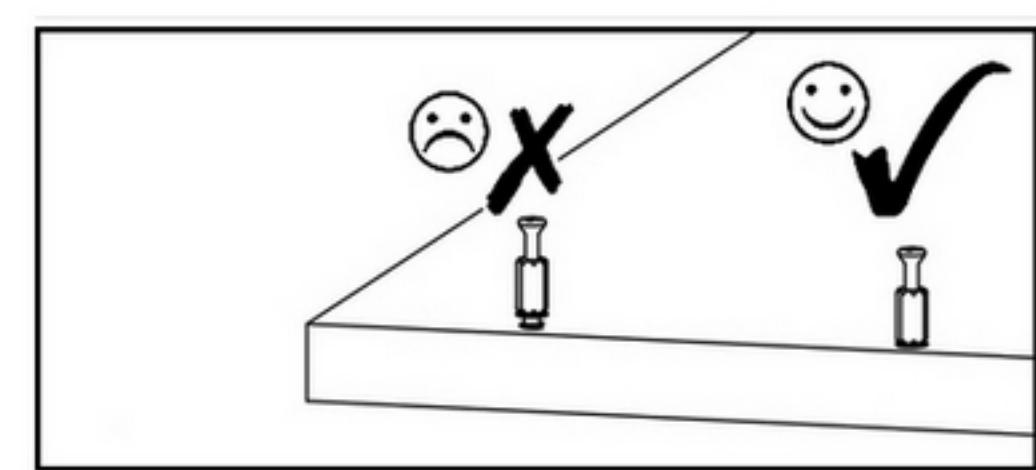
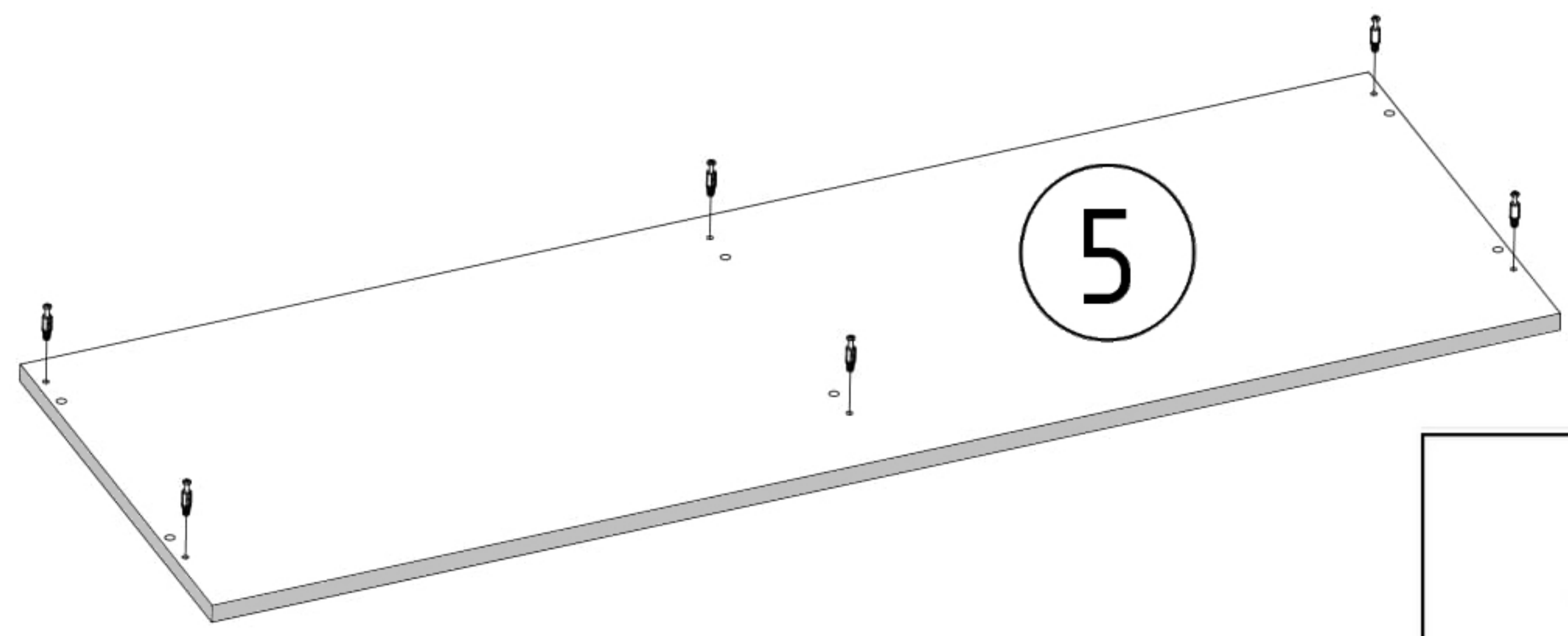



<b>N1</b>  L=35mm x5	<b>M1</b>  12x15mm x2	<b>S2</b>  6x8mm x6	<b>E1</b>  8x30mm x2	<b>P3</b>  L=350mm x3	<b>T1</b>  x2
--	--	--	---	--	--

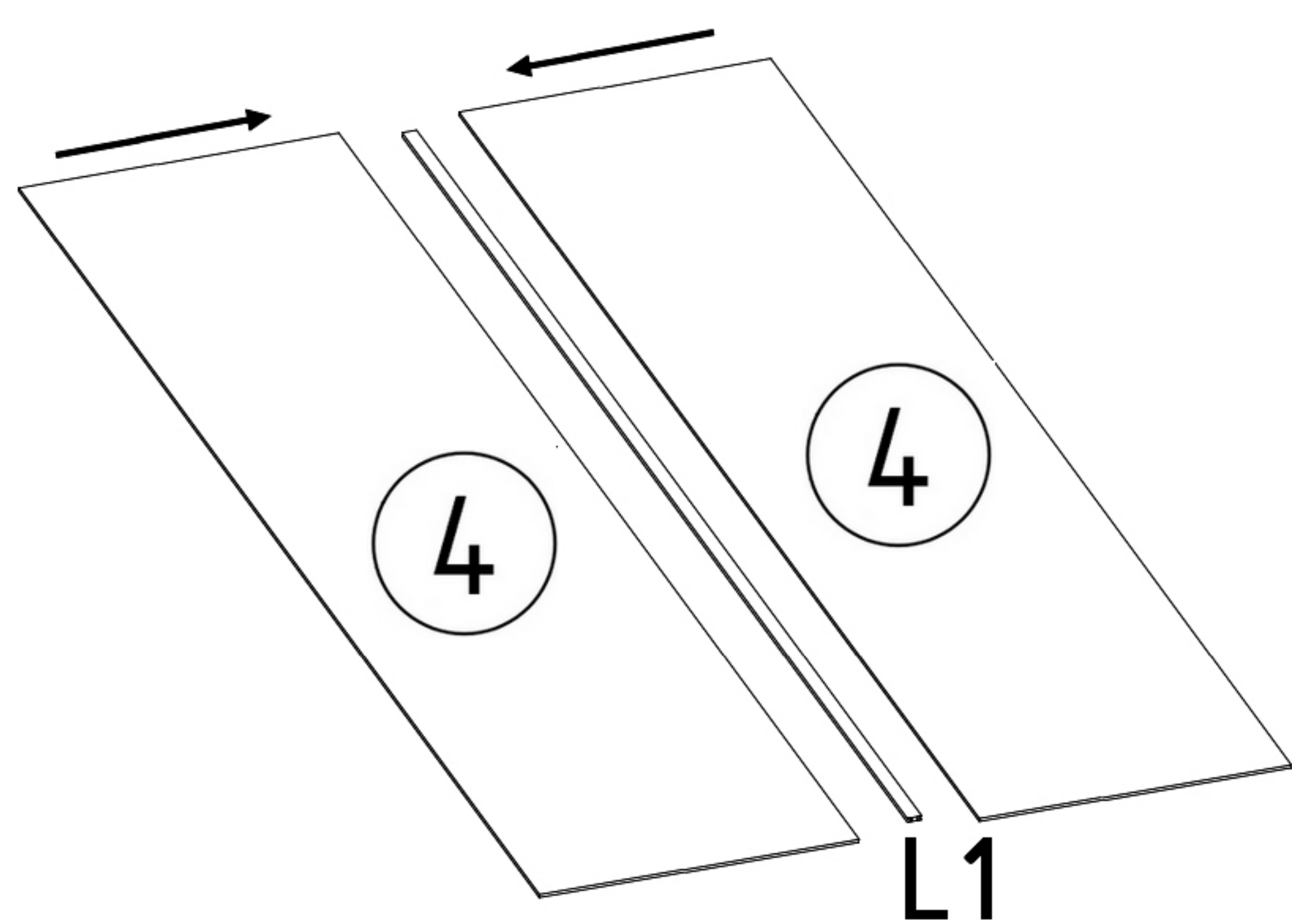




**N1**  
  
L=35mm **x6**



**L1**  
  
L=688mm **x2**



**x2**

Z1

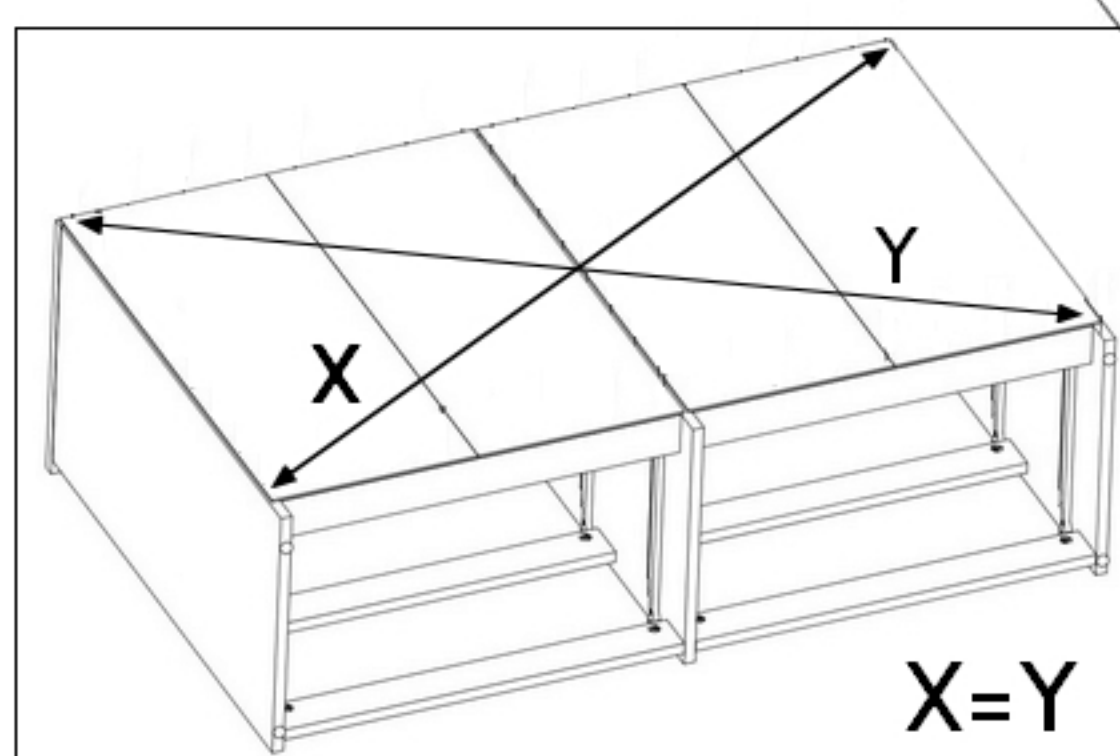
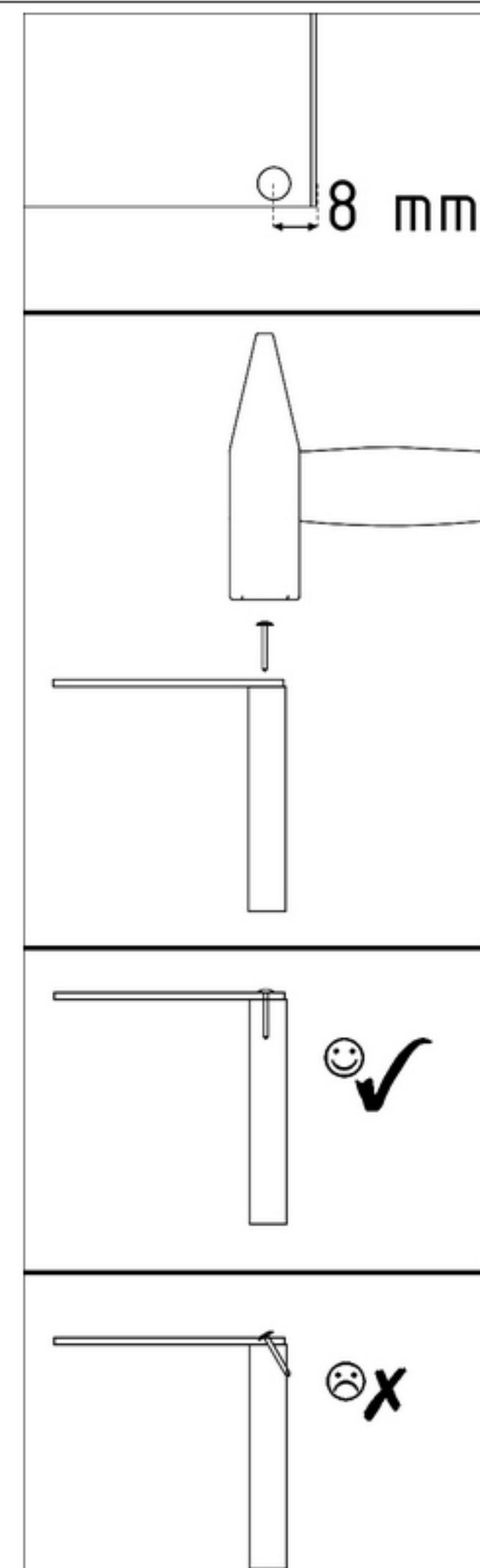
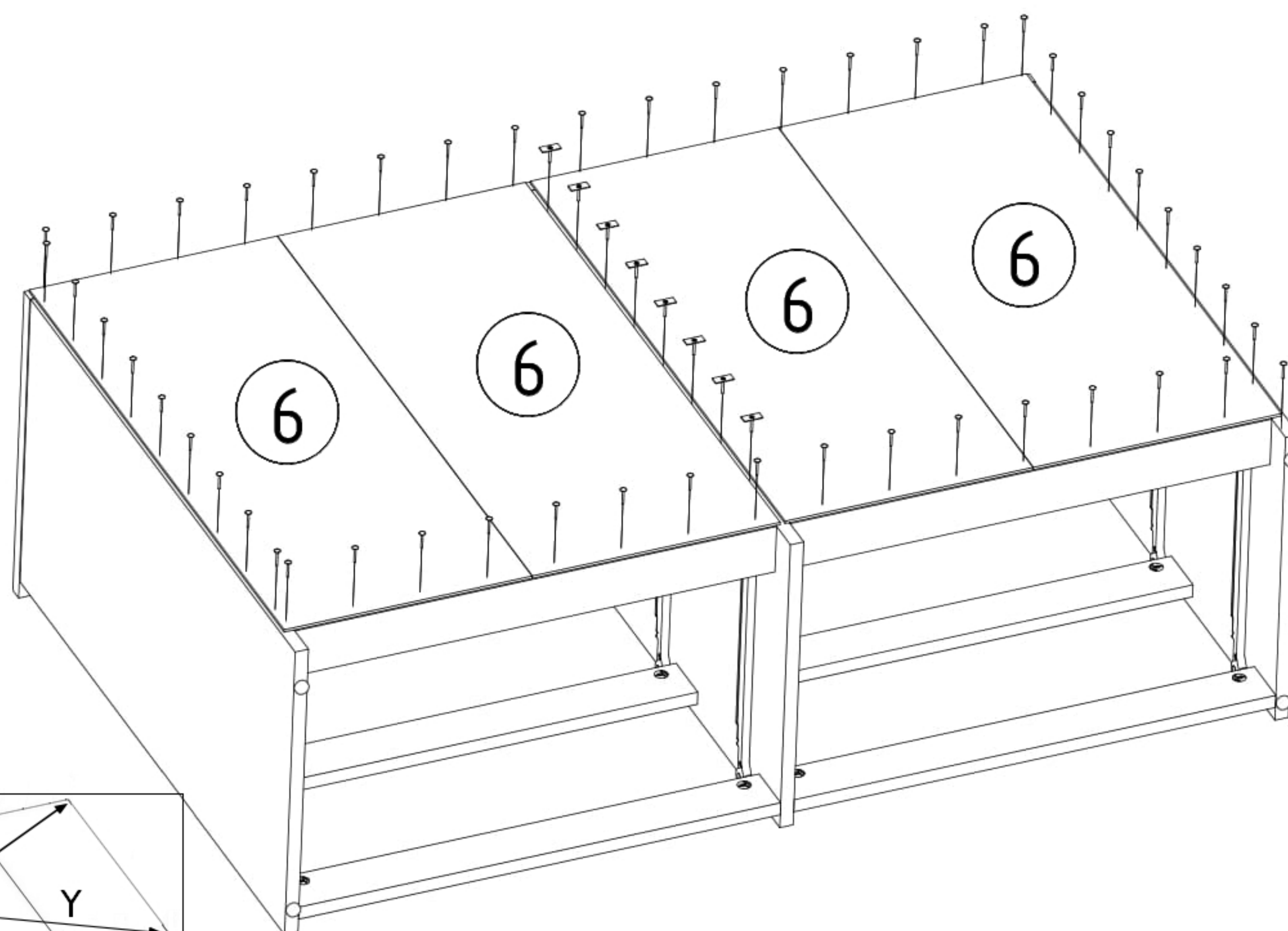


x54

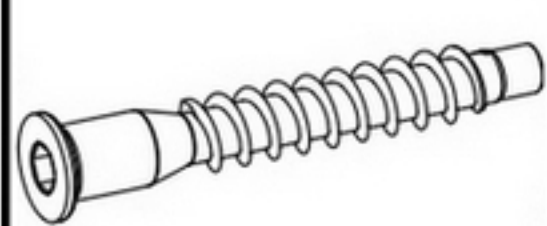
Z4



x9

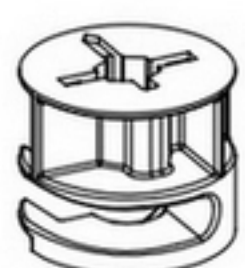


F1



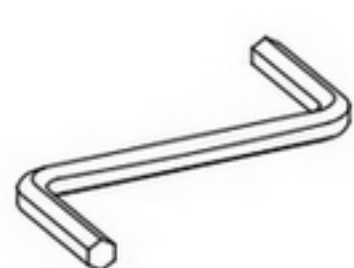
x12

M1

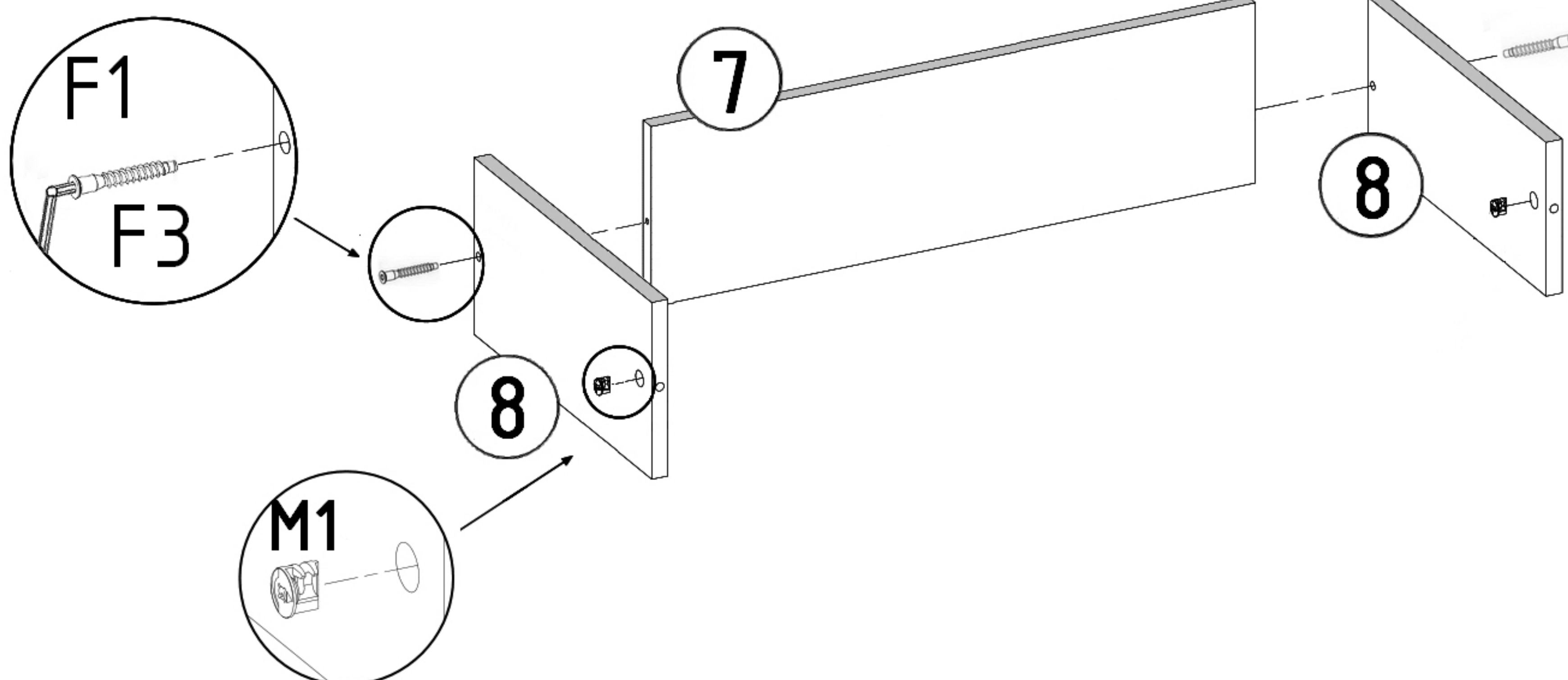
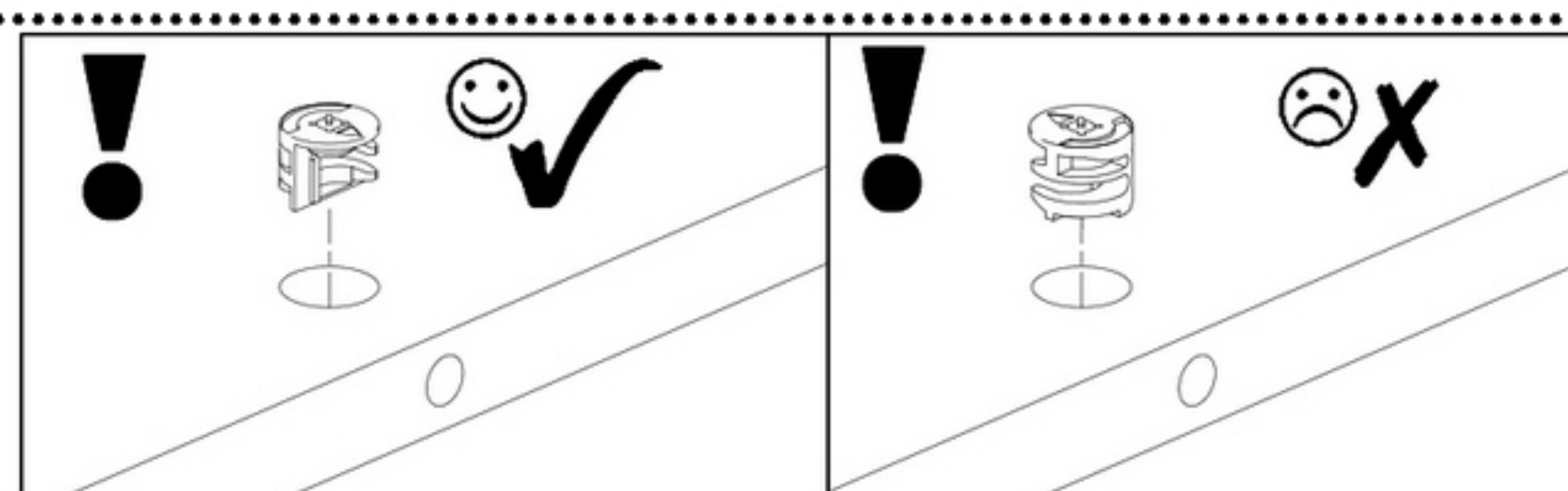


x12

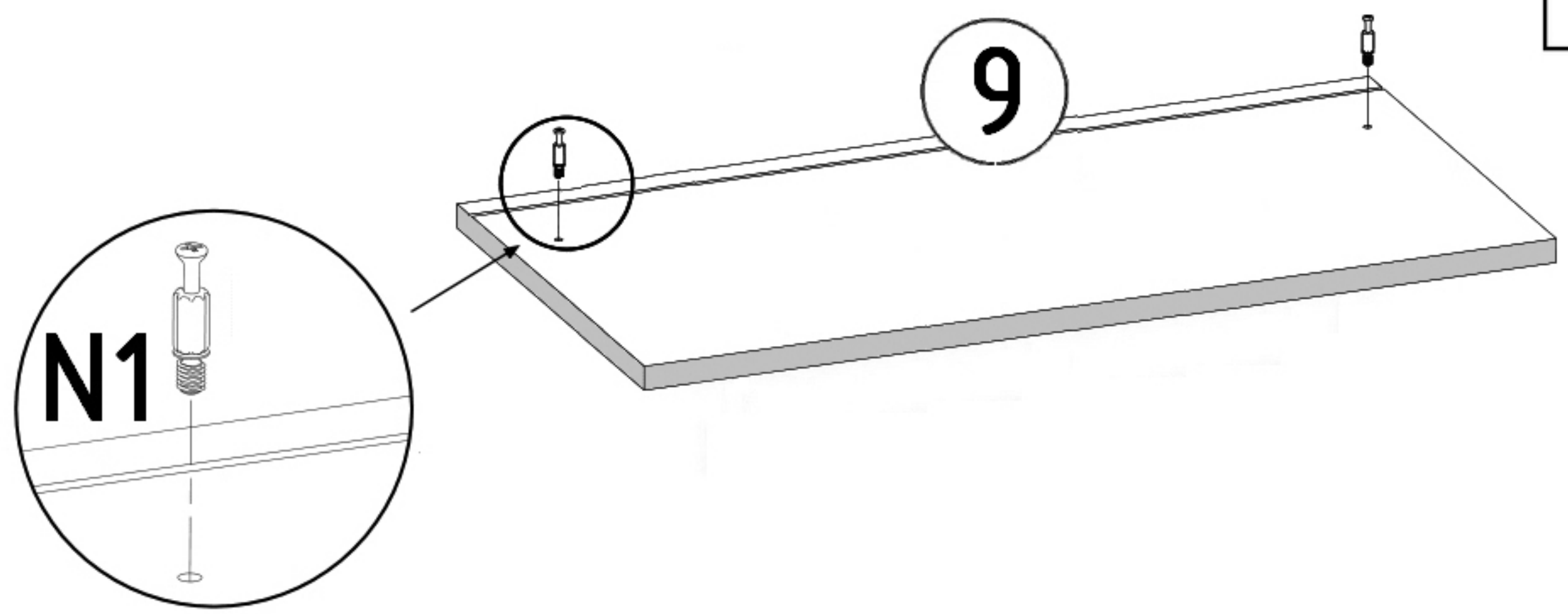
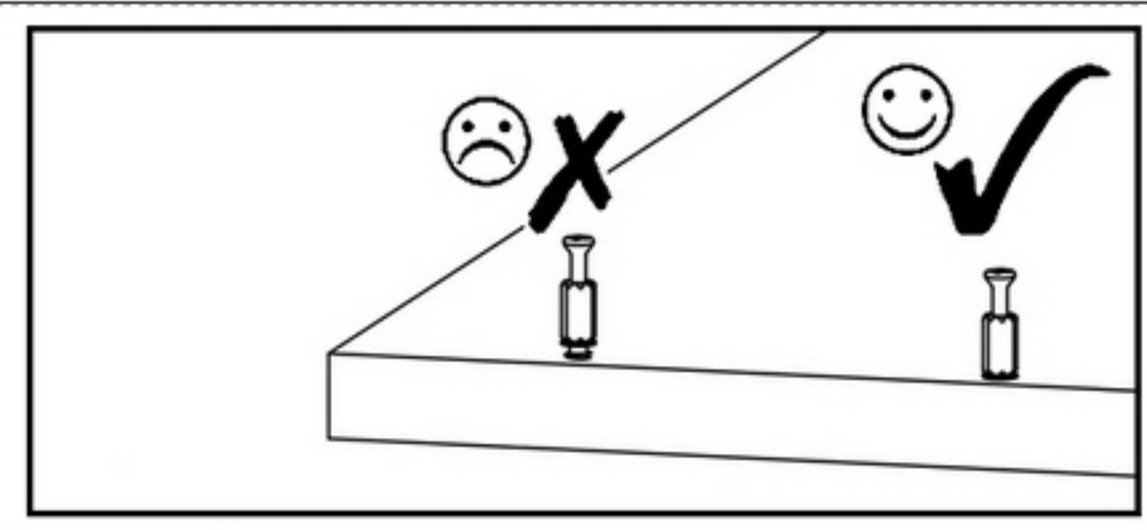
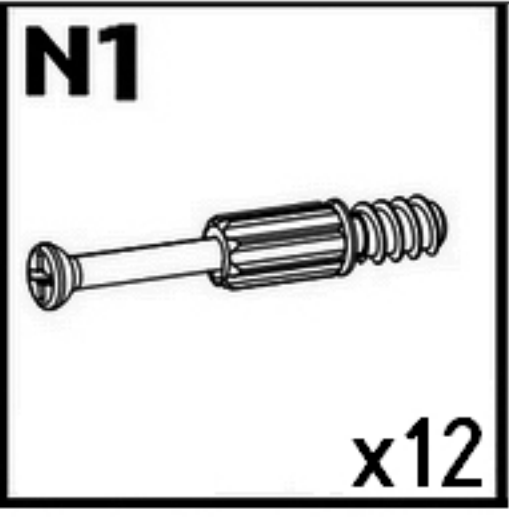
F3



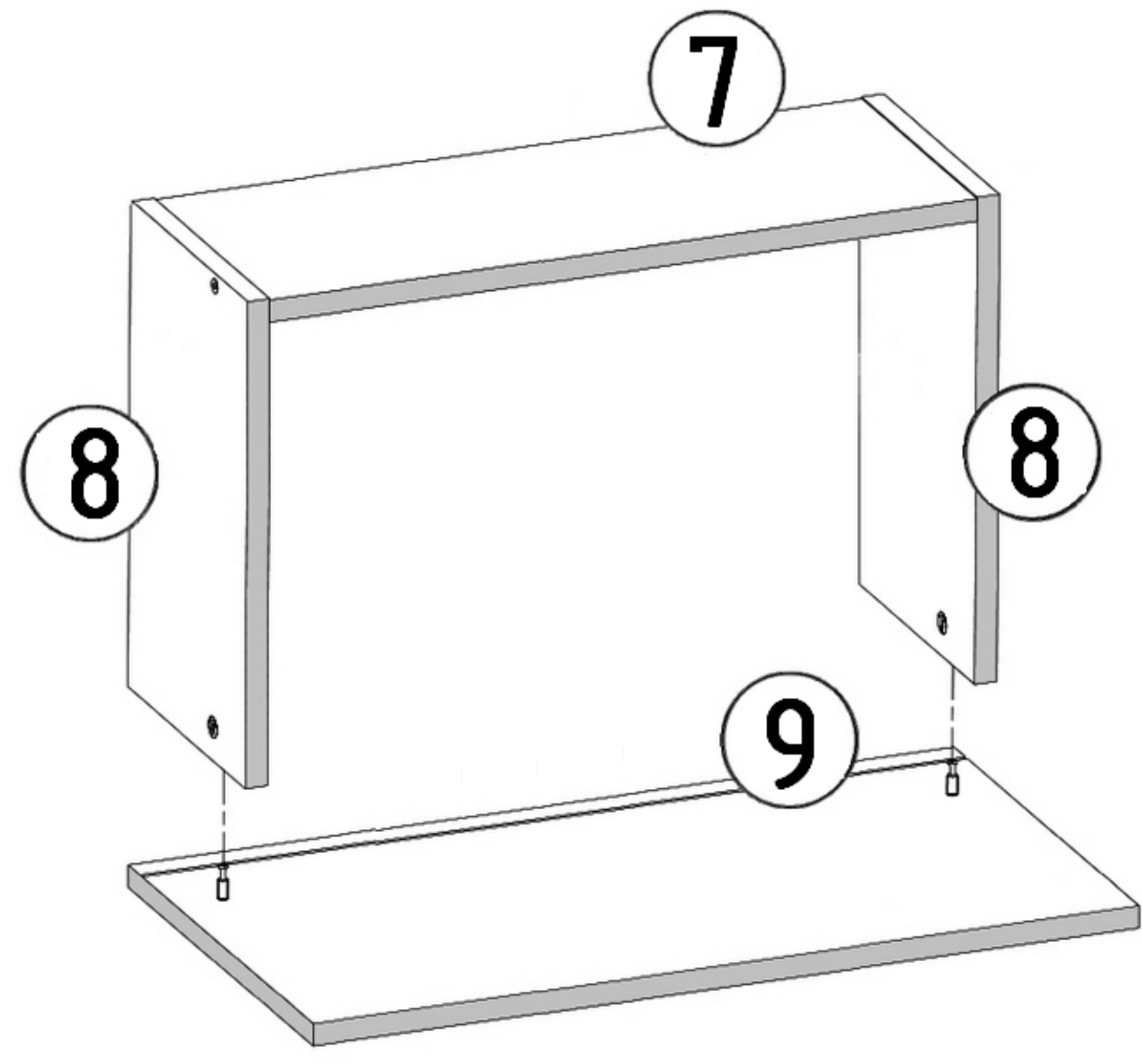
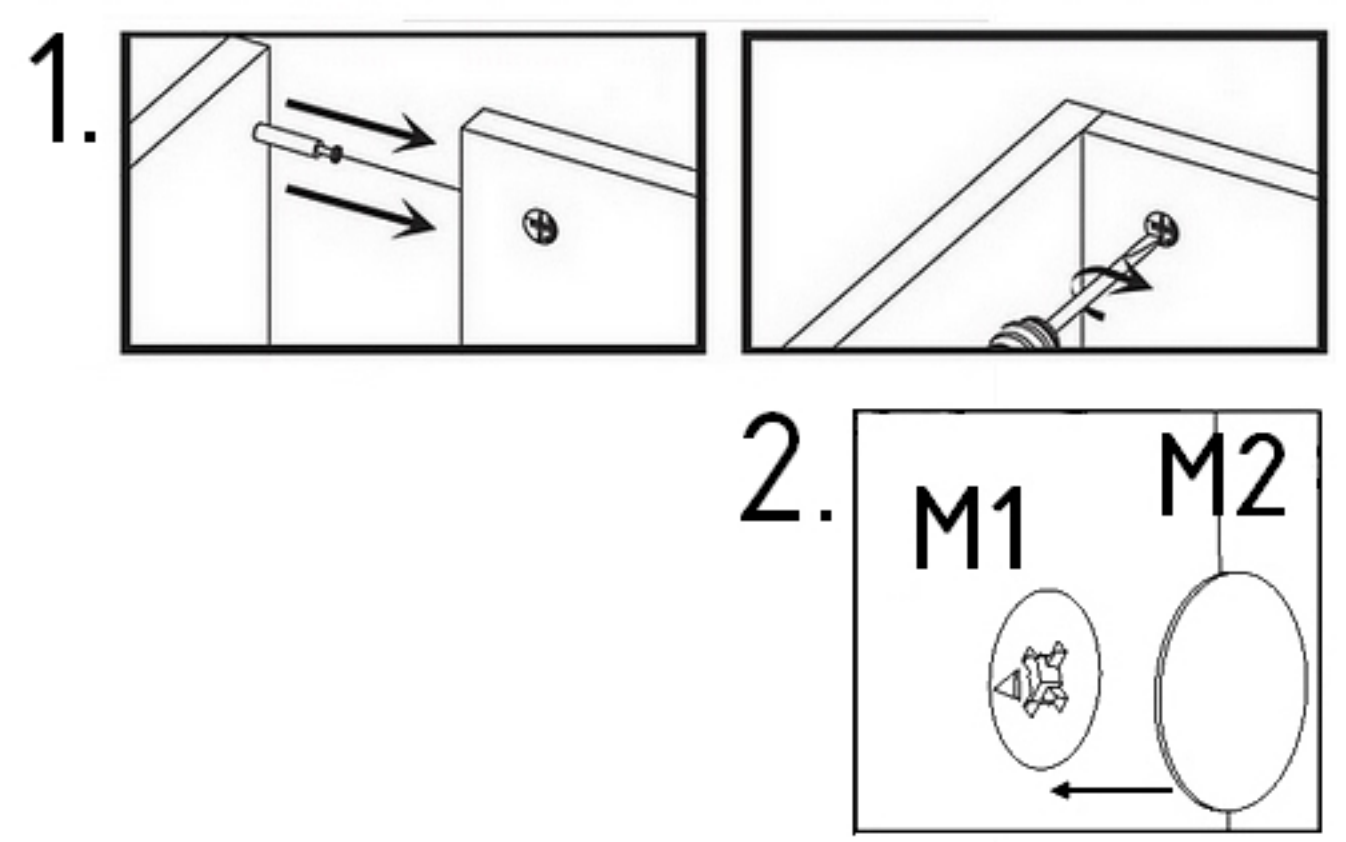
x6



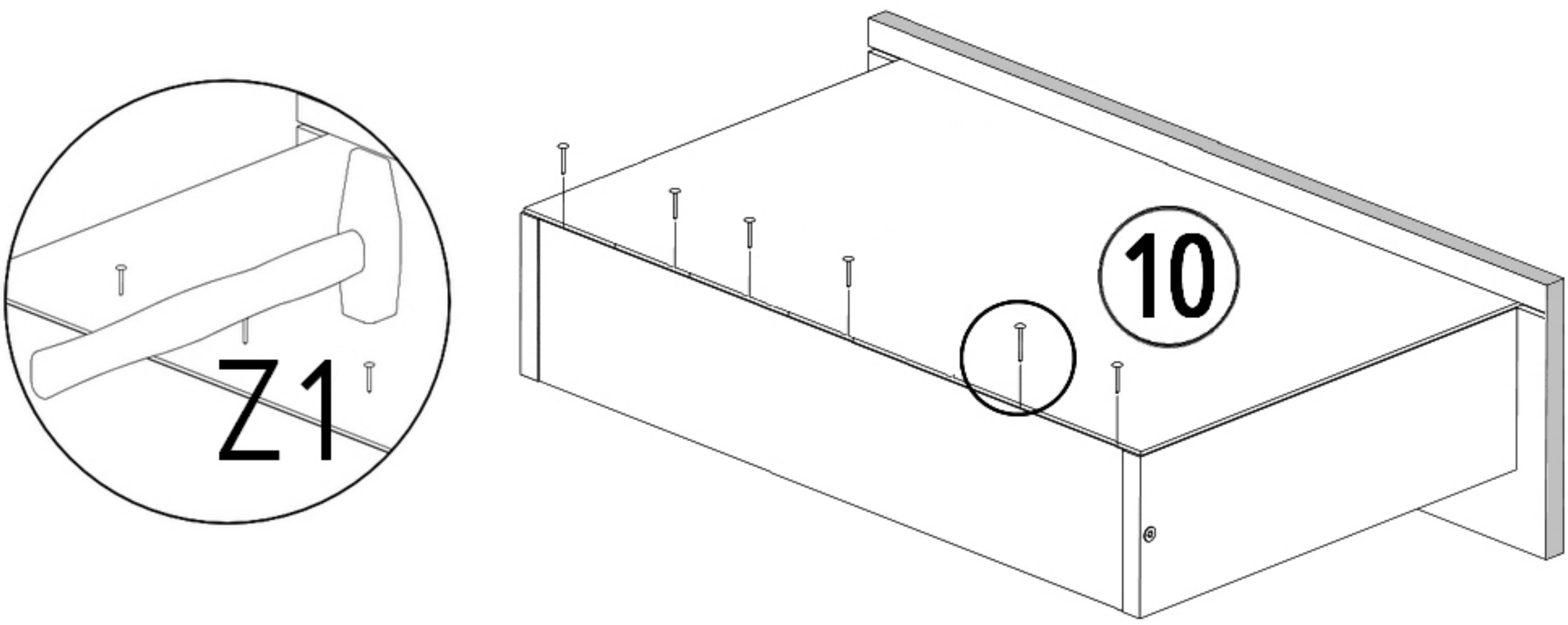
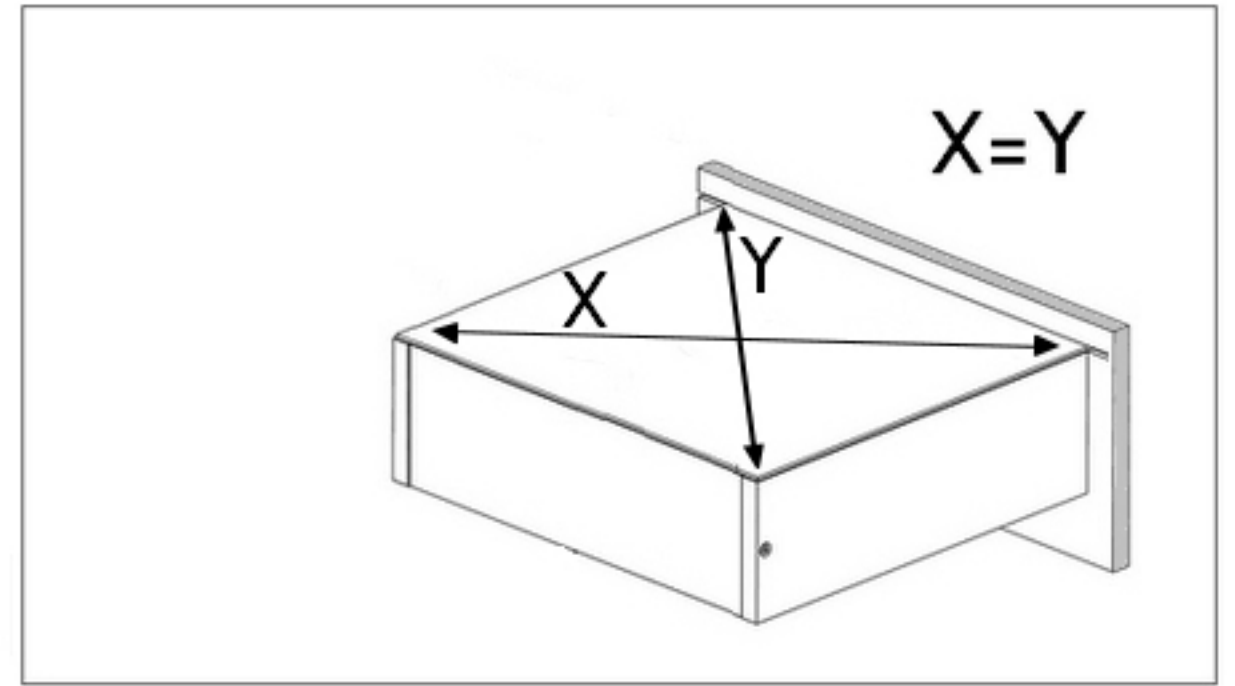
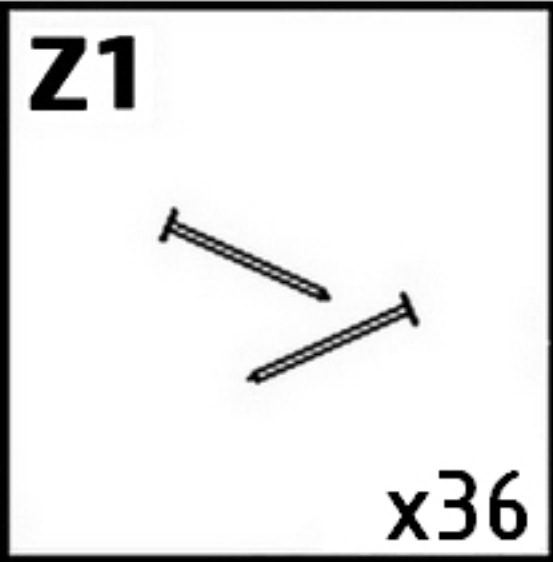
x6



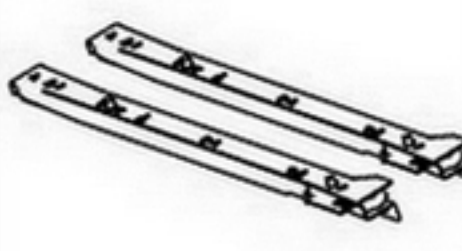
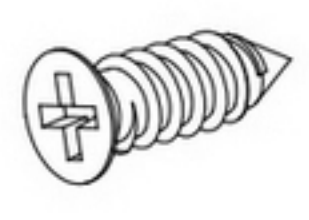
x6

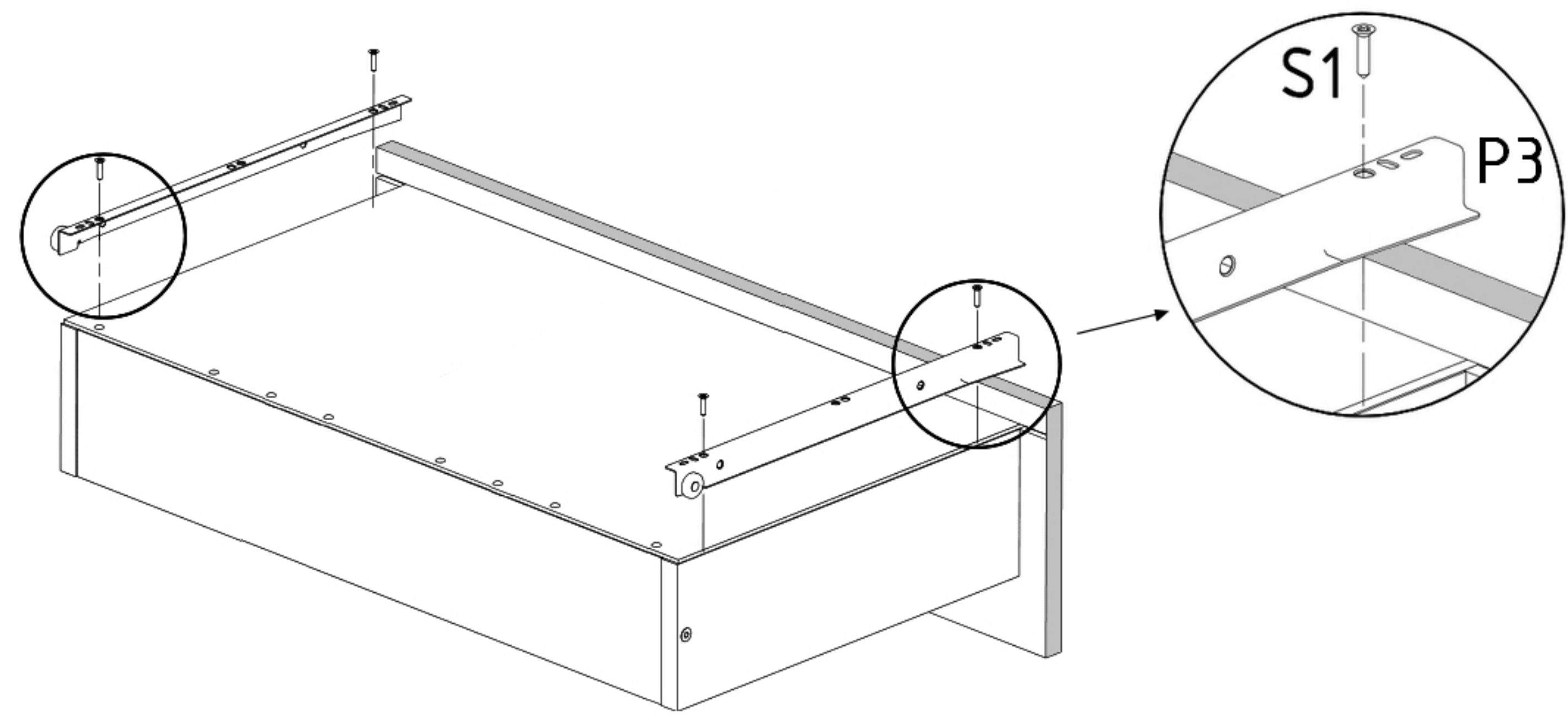


x6




x6

<p><b>P3</b></p>  <p>L=350mm <b>x6</b></p>	<p><b>S1</b></p>  <p>3,5x16mm <b>x24</b></p>
--	---



**x6**

<p><b>K2</b></p>  <p><b>x1</b></p>
--

