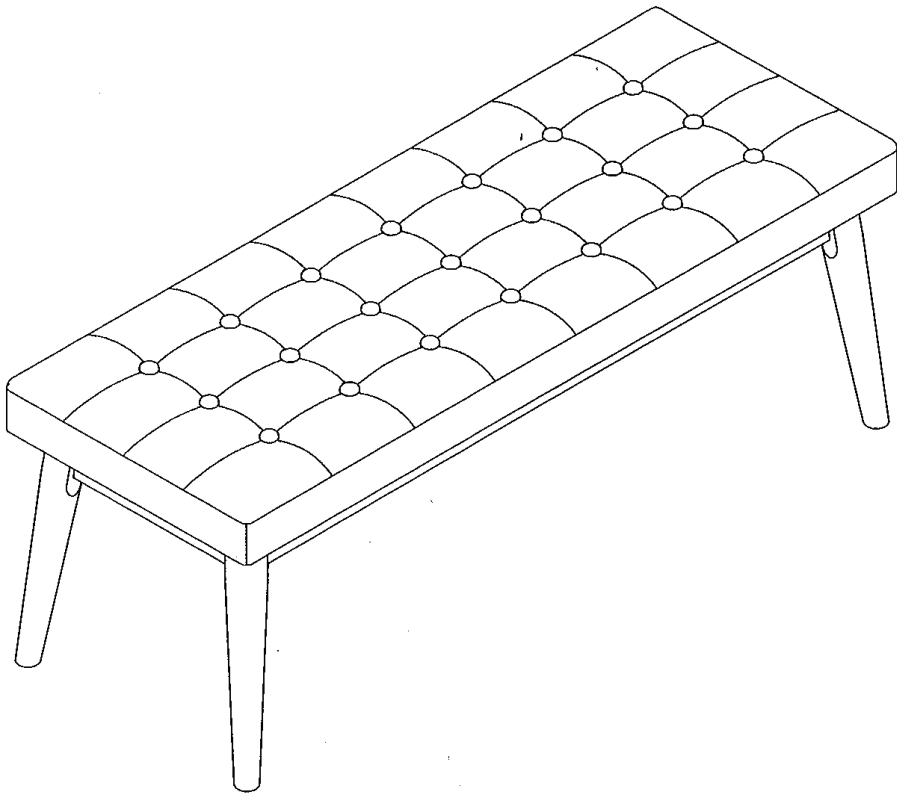
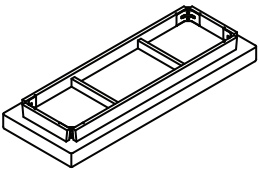



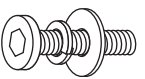

BENCH



PART LIST

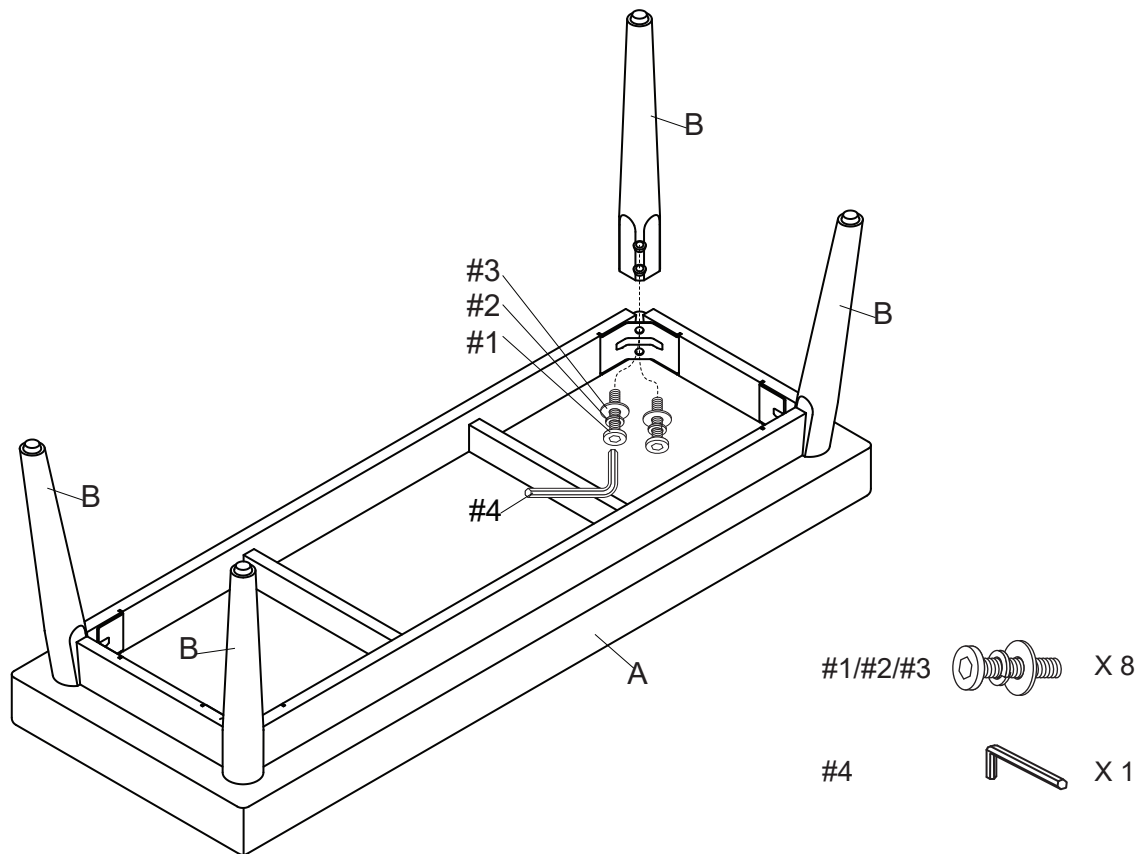
<div data-bbox="103 152 151 206" style="border: 1px solid black; padding: 2px;">A</div> 	<div data-bbox="383 152 430 206" style="border: 1px solid black; padding: 2px;">B</div> 
<p style="text-align: center;">Top 1 PC</p>	<p style="text-align: center;">Leg 4 PCS</p>

HARDWARE LIST

<div data-bbox="103 801 263 855" style="border: 1px solid black; padding: 2px;">#1/#2/#3</div>  <p style="text-align: center;">Ø 5/16" * 38mm</p>	<div data-bbox="518 801 566 855" style="border: 1px solid black; padding: 2px;">#4</div> 
<p>#1 Bolt 9 PCS (Extra 1) #2 Spring Washer 9 PCS (Extra 1) #3 Flat Washer 9 PCS (Extra 1)</p>	<p style="text-align: center;">Allen Wrench 1 PC</p>

Step 1. Carefully turn top (part A) upside down on a soft flat surface, such as carpet, as shown below. Attach legs (part B) to top (part A) using bolts (part #1), spring washers (part #2), flat washers (part #3) and allen wrench (part #4).

NOTE: Please do not fully tighten bolts until unit is fully assembled.



Step 2. Carefully turn unit upright.

