
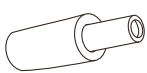
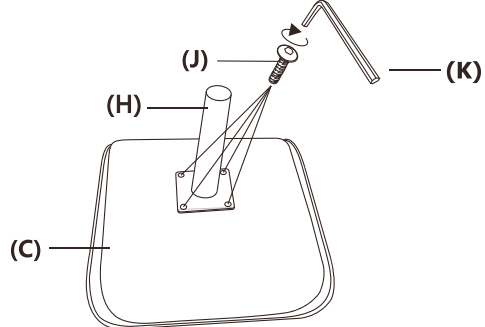
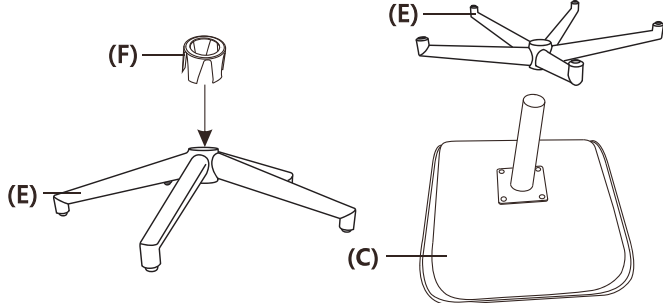

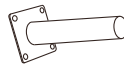
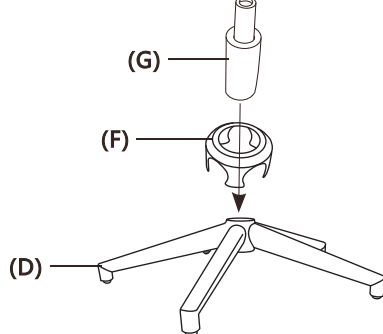
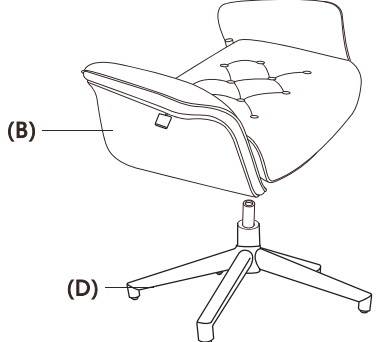


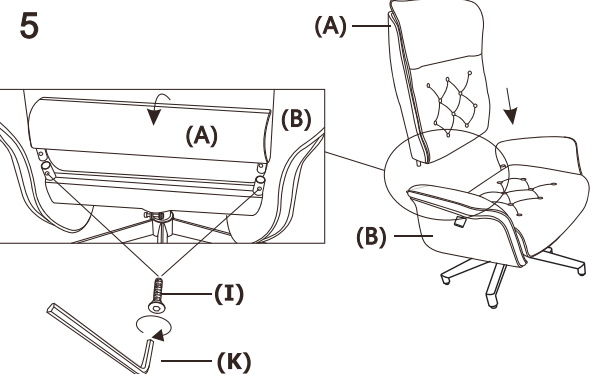
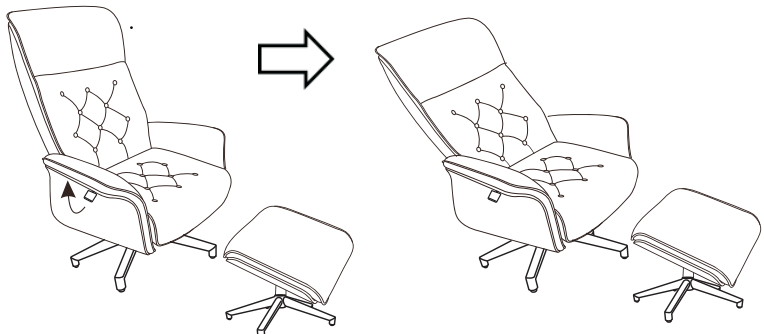
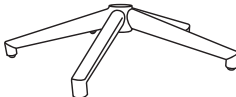
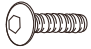
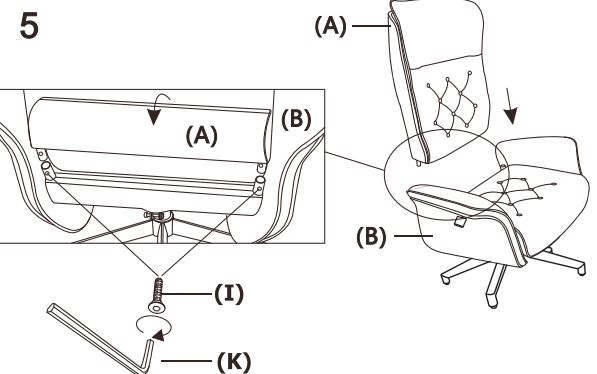
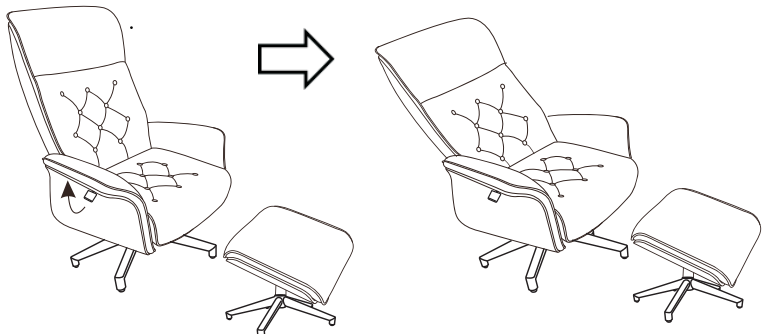


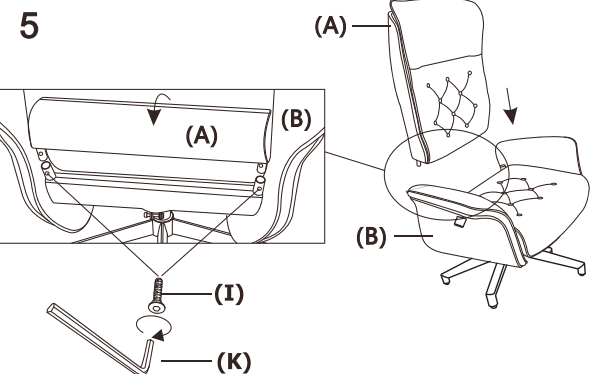
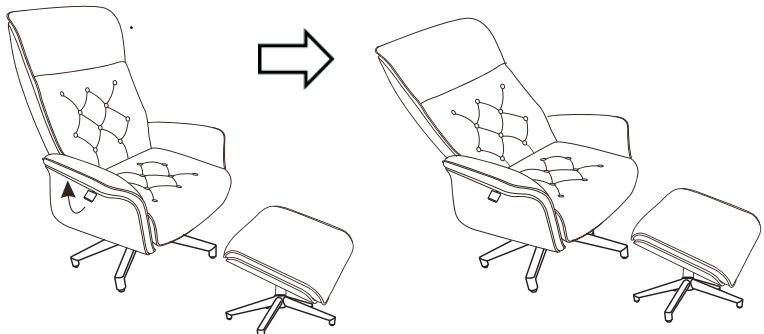

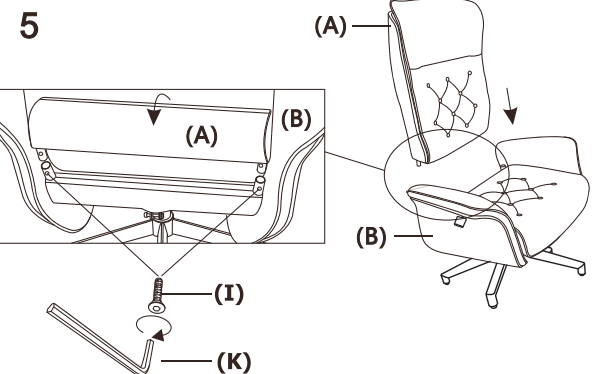


5528566/5528567/5528568

ASSEMBLY INSTRUCTION

<<Before assembling,read all the instruction>>

<p>Ax1</p> 	<p>Gx1</p> 	<p>1</p>  <p>STEP 1: Use screws (part J) to connect the footrest (part H) to the footstool (part C).</p>	<p>2</p>  <p>STEP 2: Put the dust cover (part F) on the five-star foot (part E) and connect it to the bottom of the foot tube (part H).</p>
<p>Bx1</p> 	<p>HX1</p> 	<p>3</p>  <p>STEP 3: After the five-star foot (part D) is covered with dust cover, the central shaft (part G) is installed again.</p>	<p>4</p>  <p>STEP 4: Connect the seat cushion (part B) to the assembly patch in step 3.</p>
<p>Cx1</p> 	<p>IX2</p>  <p>M6x20mm</p>	<p>5</p>  <p>STEP 5: Remove the drape at the bottom of the backrest (part A) and use screws (part I) to connect the seat cushion (part B) and the backrest (part A).</p>	<p>6</p> 
<p>Dx1</p> 	<p>Jx4</p>  <p>M6x16mm</p>	<p>5</p>  <p>STEP 5: Remove the drape at the bottom of the backrest (part A) and use screws (part I) to connect the seat cushion (part B) and the backrest (part A).</p>	<p>6</p> 
<p>Ex1</p> 	<p>Kx1</p>  <p>M5</p>	<p>5</p>  <p>STEP 5: Remove the drape at the bottom of the backrest (part A) and use screws (part I) to connect the seat cushion (part B) and the backrest (part A).</p>	<p>6</p> 
<p>Fx2</p> 		<p>5</p>  <p>STEP 5: Remove the drape at the bottom of the backrest (part A) and use screws (part I) to connect the seat cushion (part B) and the backrest (part A).</p>	<p>6</p> 