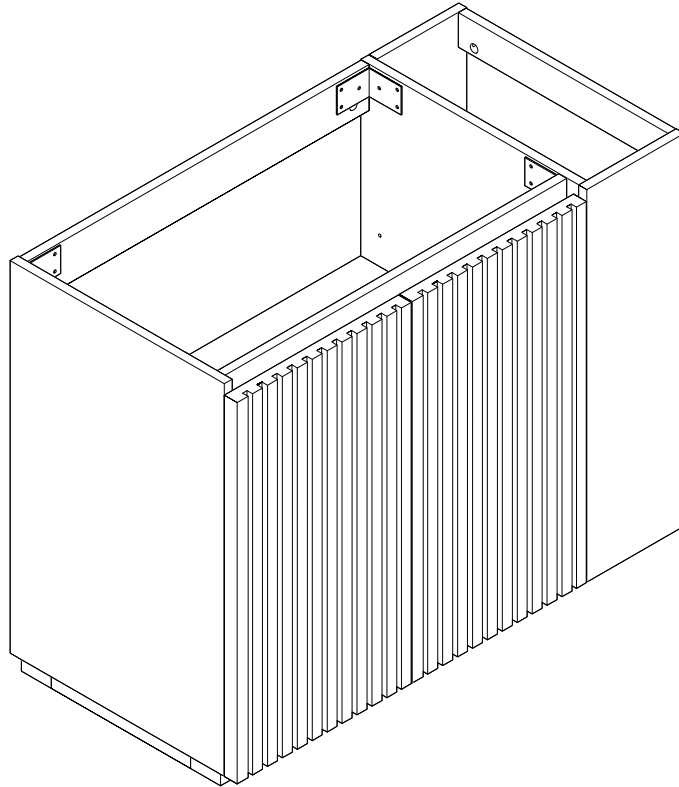


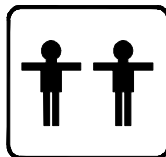
Bathroom Vanity Assembly Guide



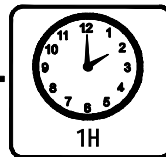
Thank you for selecting our quality product. Prior to assembly, carefully inspect all packing materials for any loose parts. Separate and count all components, comparing them to the parts list provided.

Reminder

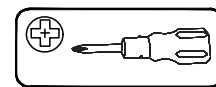
Refrain from tightening screws until assembly is complete. This ensures proper alignment and avoids any complications.



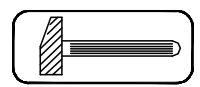
+



Tools Required



Included



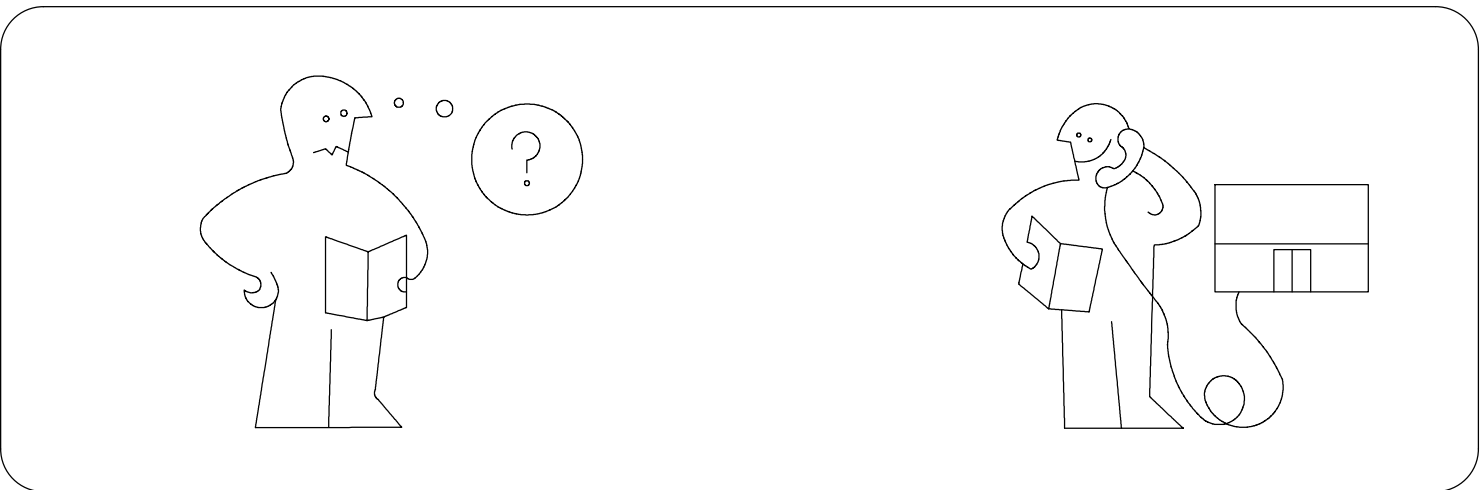
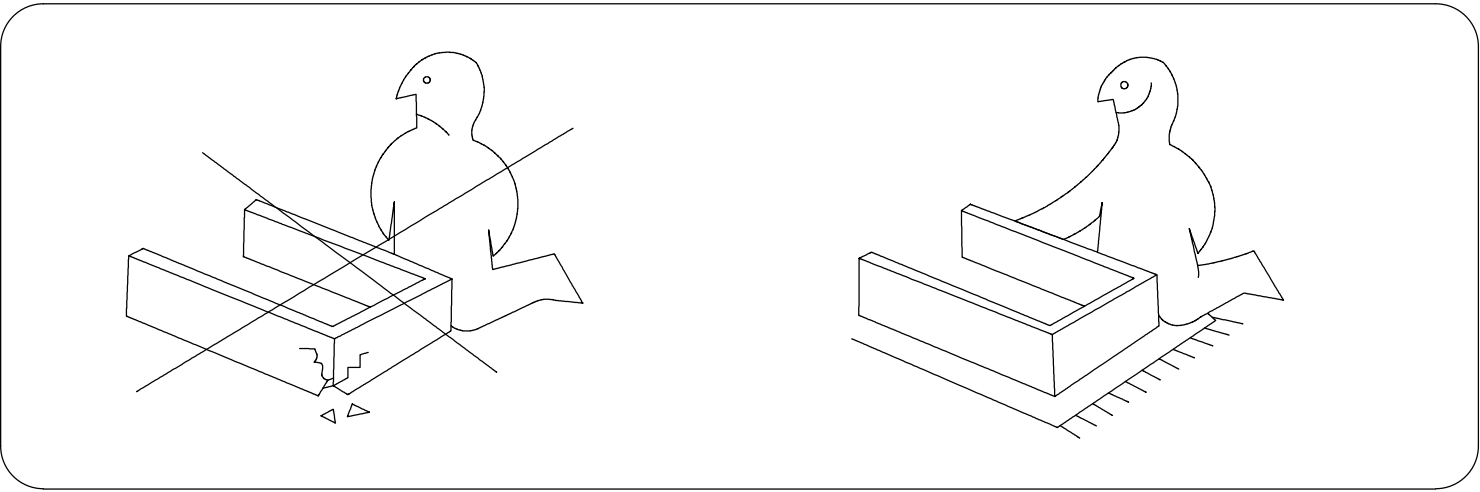
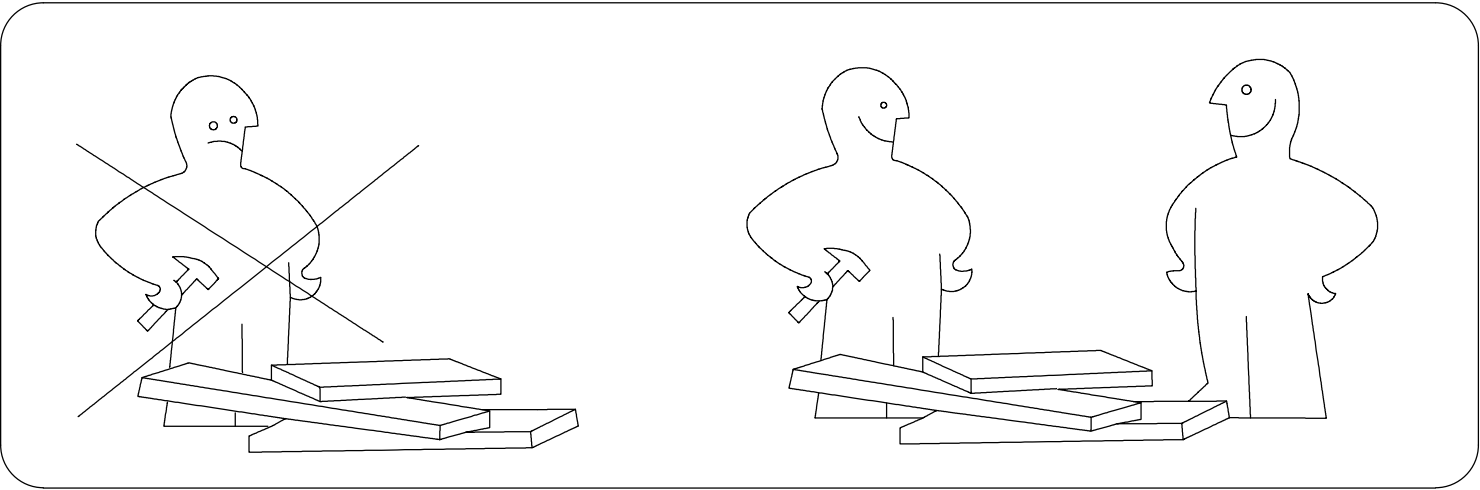
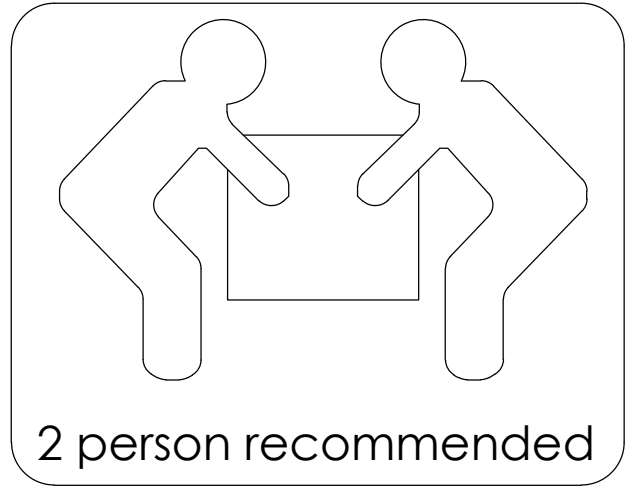
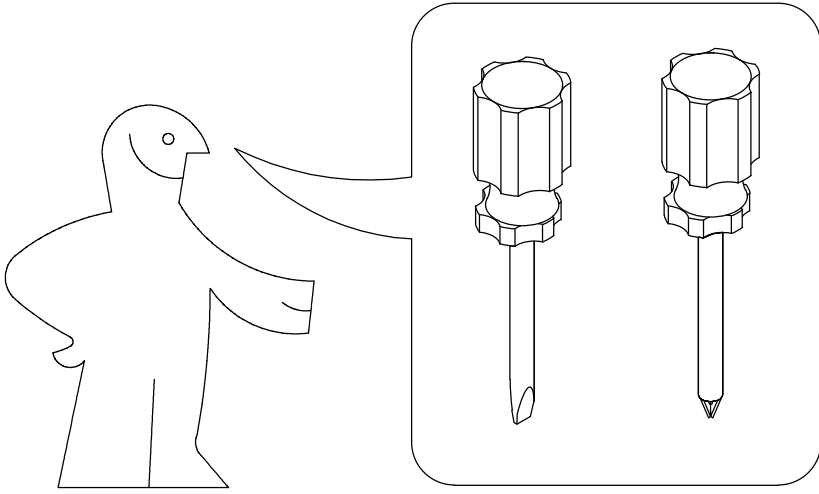
Not Included

IMPORTANT:
PLEASE READ INSTRUCTIONS BEFORE STARTING THE ASSEMBLY.

Thank you for choosing our products. Please review the installation manual carefully before assembly, following the step-by-step instructions for accessories and hardware. Our detailed guidance ensures a smooth assembly process.

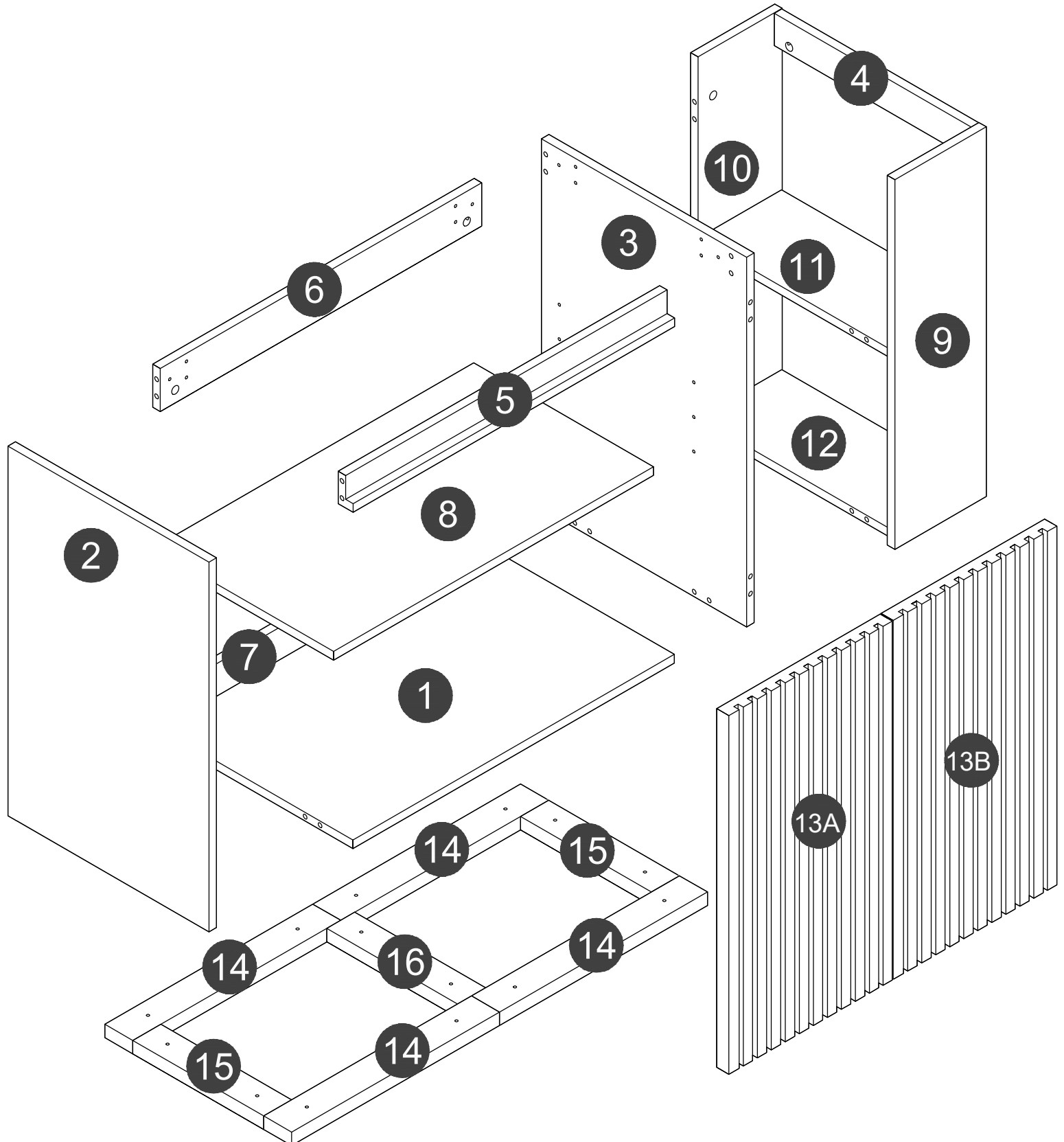
Our products are environmentally friendly. To maintain their quality, avoid submerging them in water, placing heavy items on them, or applying excessive force. If you encounter any issues, please contact us for assistance.

We appreciate your purchase. Thank you.

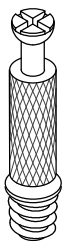


Panel No	Panel Sizes	Quantity
1	688*429*16	1
2	685*430*16	1
3	685*439*16	1
4	422*60*16	1
5	688*60*32	1
6	688*80*16	1
7	688*60*16	1
8	685*385*16	1

Panel No	Panel Sizes	Quantity
9	685*196*16	1
10	685*180*16	1
11	422*179*16	1
12	422*179*16	1
13	665*350*25	2
14	445*60*25	4
15	280*60*25	2
16	280*60*25	1

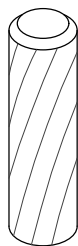


Fittings



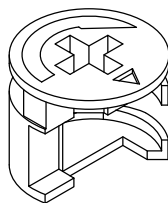
M6*40mm

A=28



Φ8*30mm

B=30



Φ15*12mm

C=28



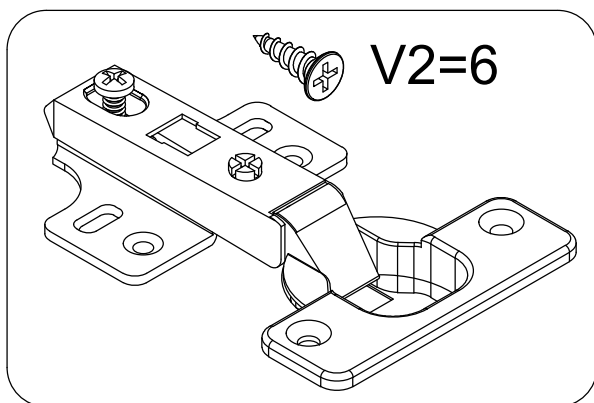
Φ21mm

D=28

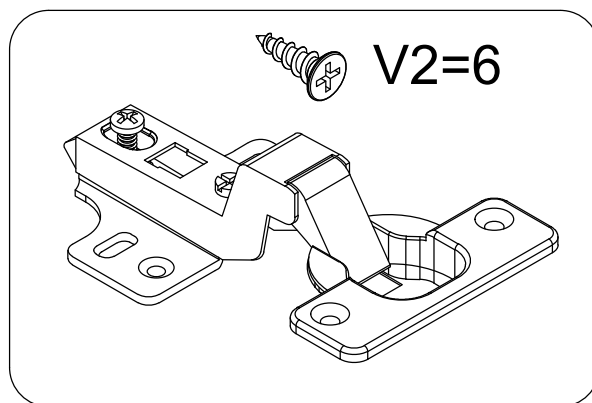


M4mm

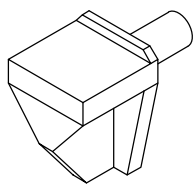
H=1



I1=2

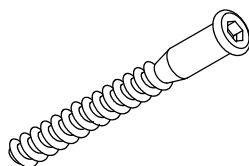


I3=2



Φ5mm

L=4



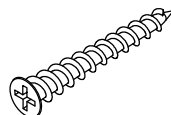
Φ7*50mm

Q=2



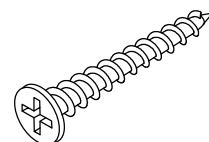
M4*16mm

V3=20



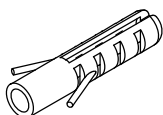
M4*40mm

V4=14



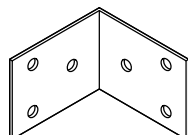
M5*70mm

V5=4



Φ8*50mm

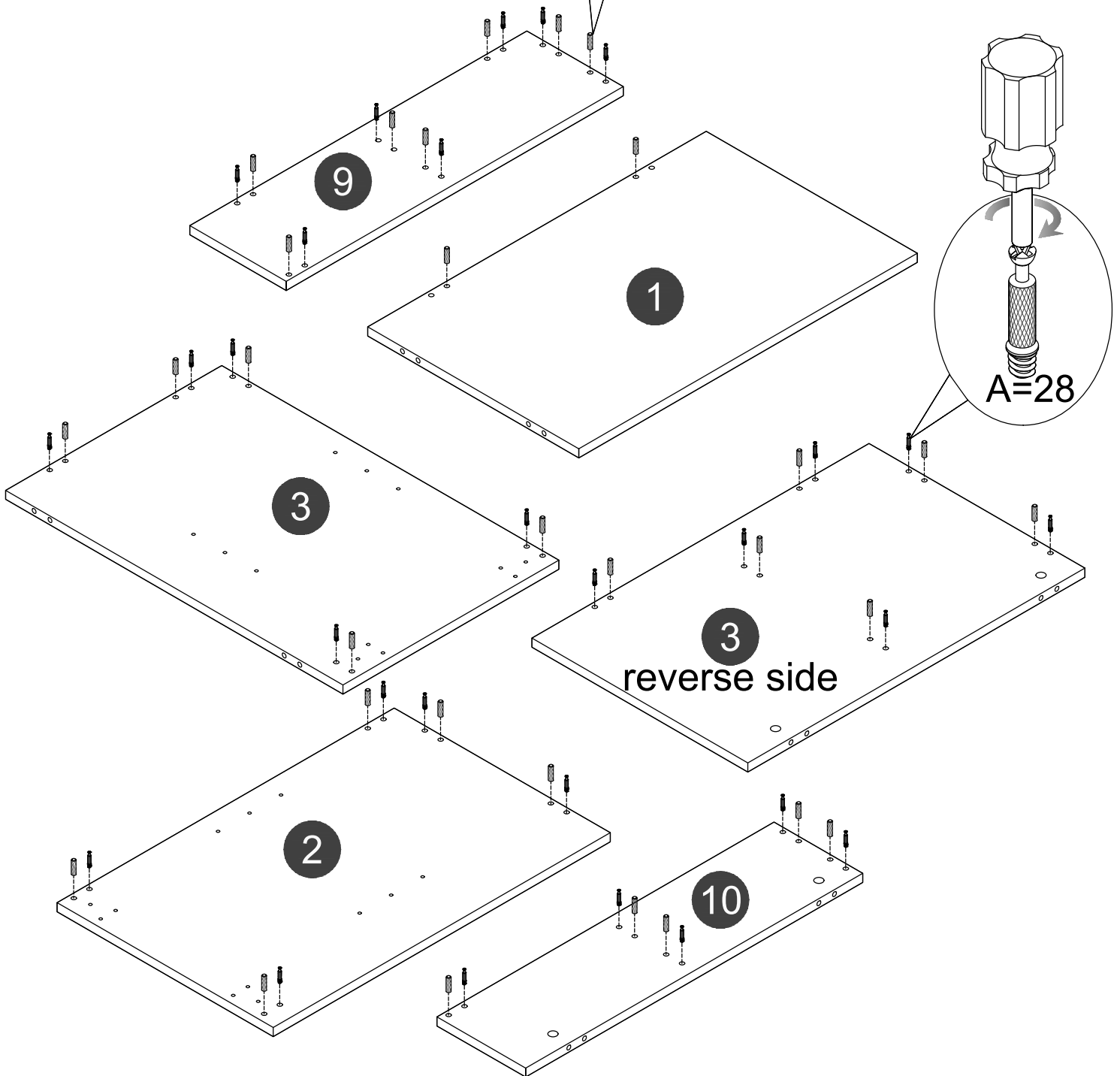
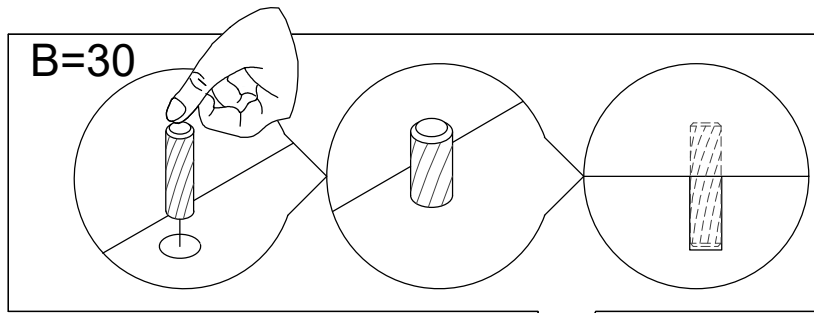
W=4



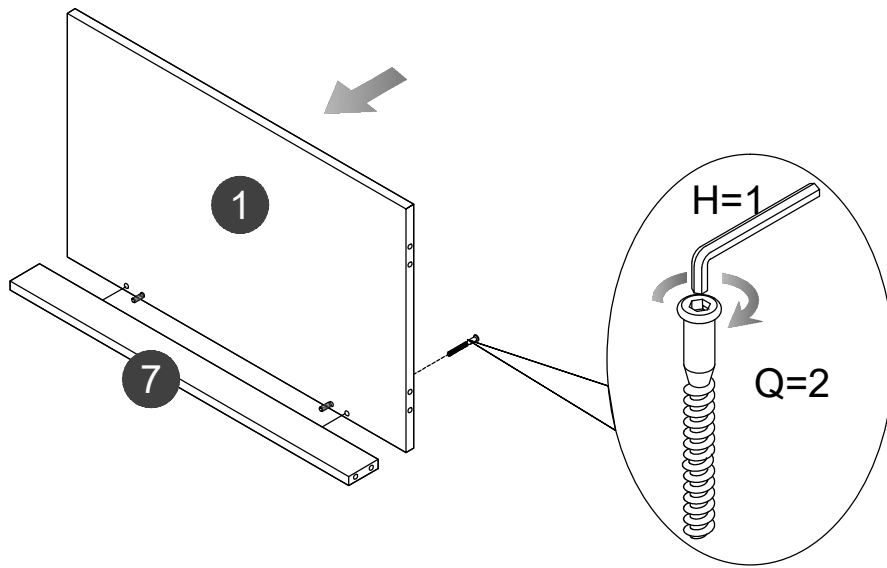
66*66*2mm

Y=4

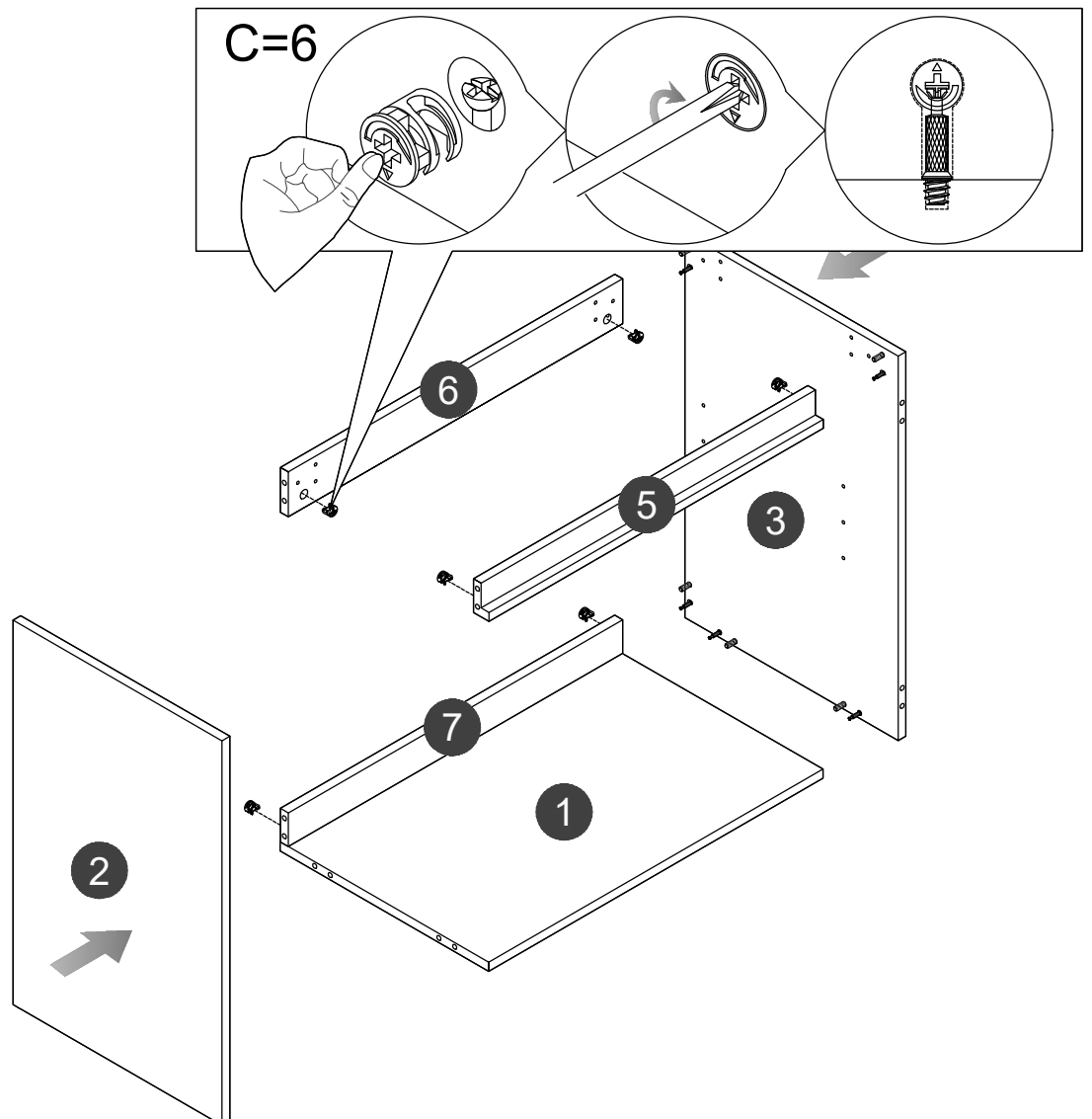
STEP 1



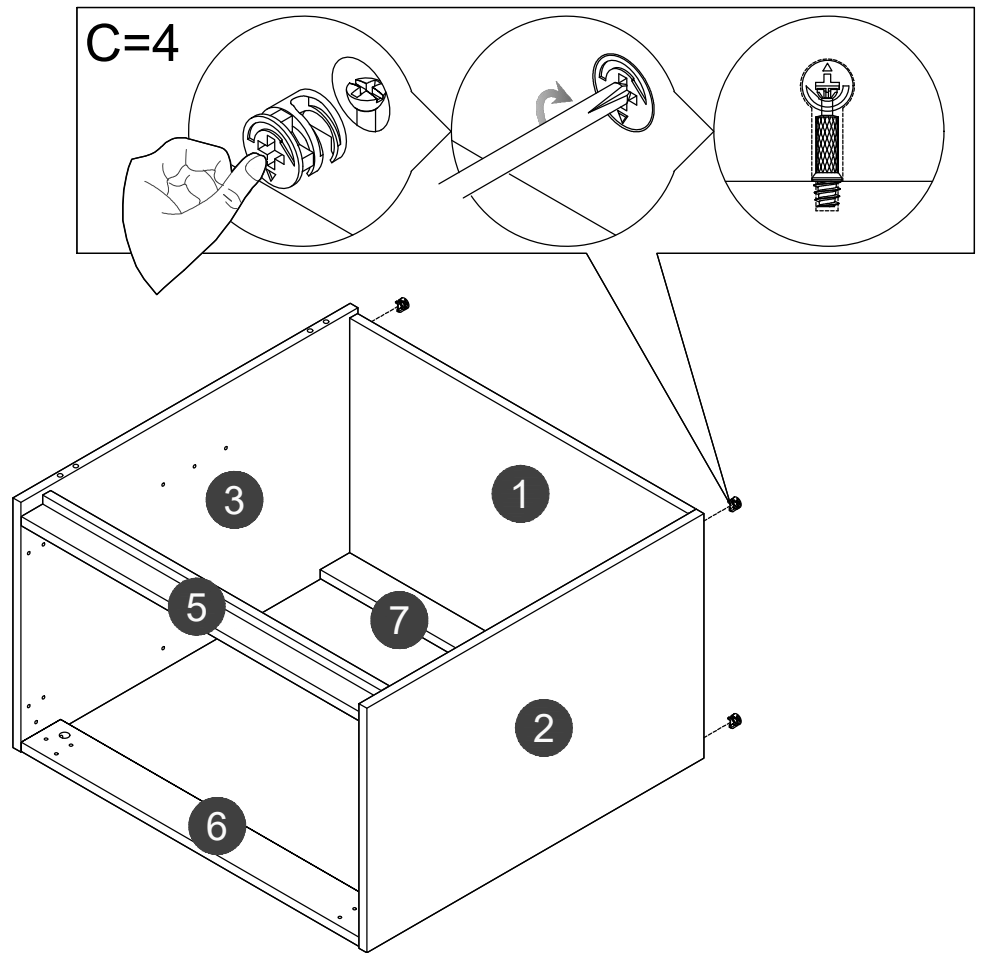
STEP 2



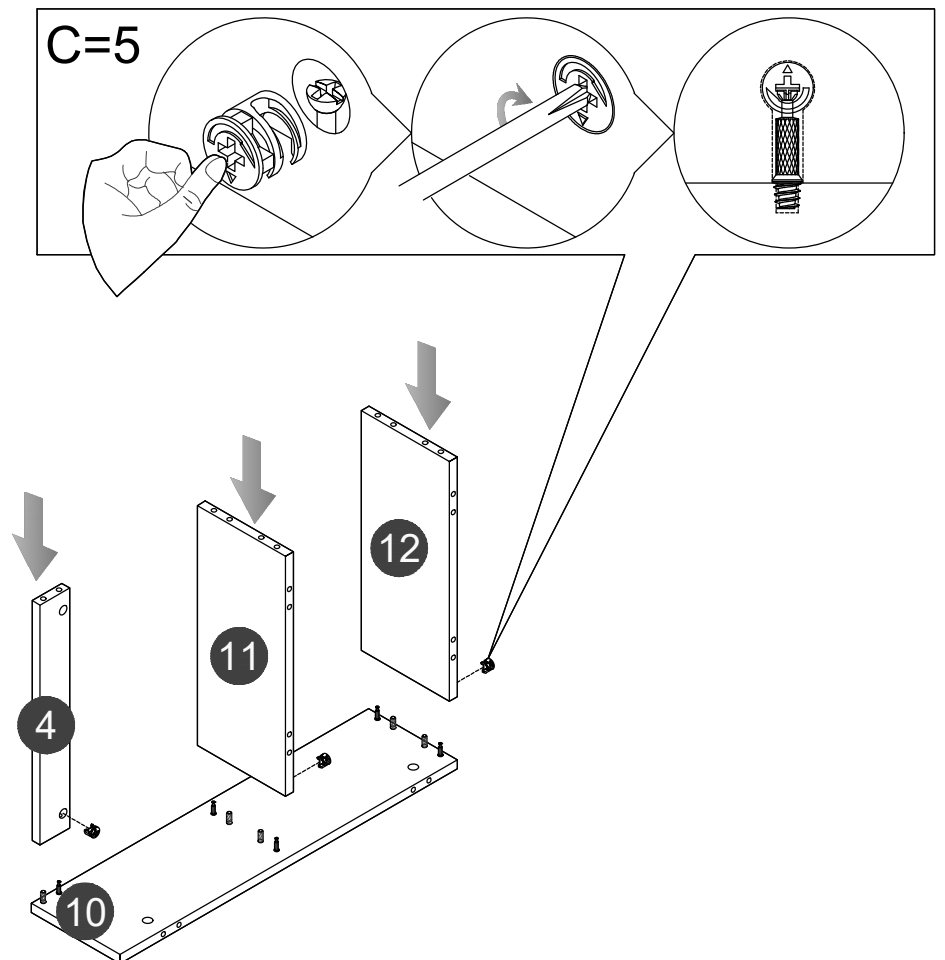
STEP 3



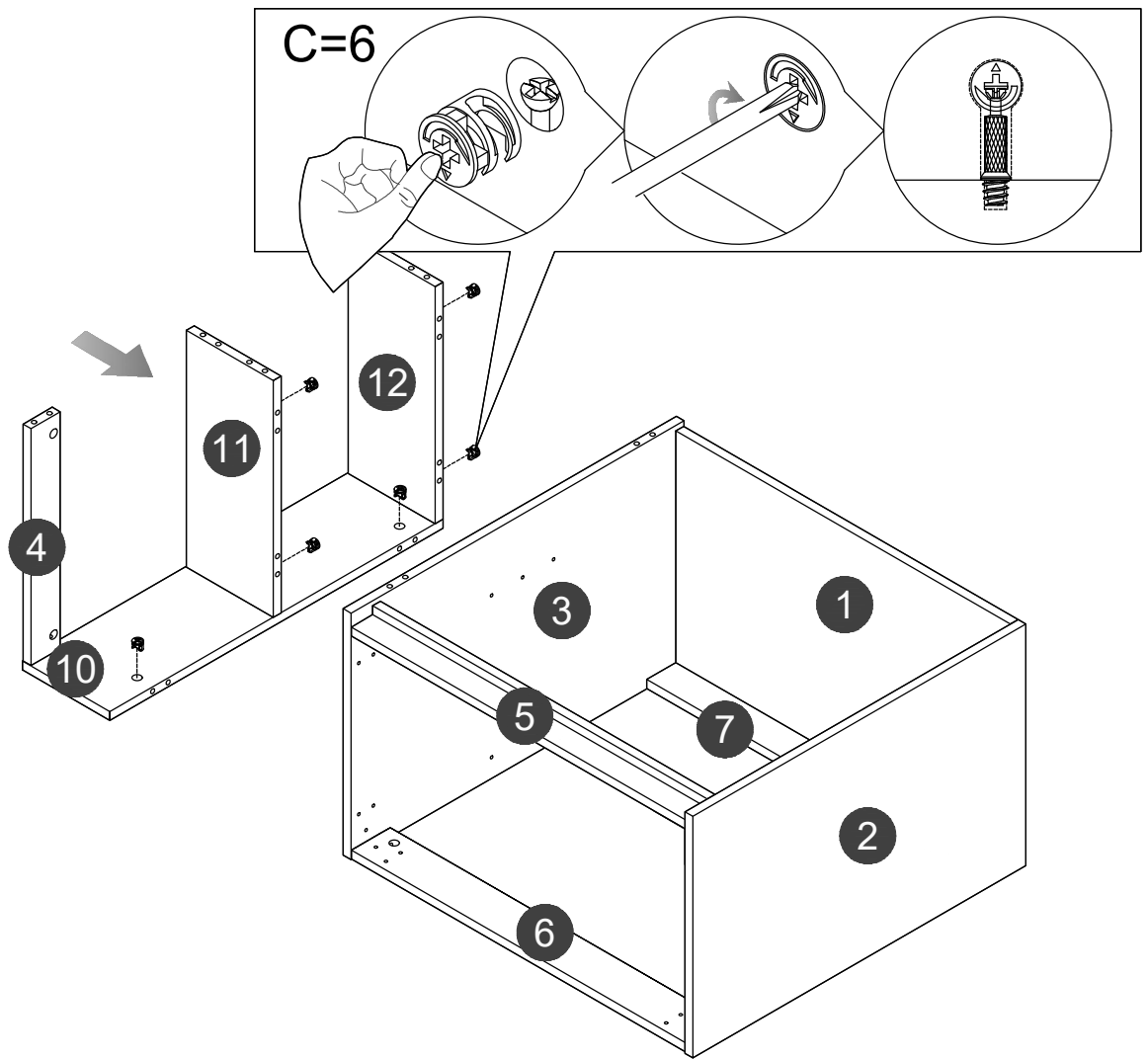
STEP 4



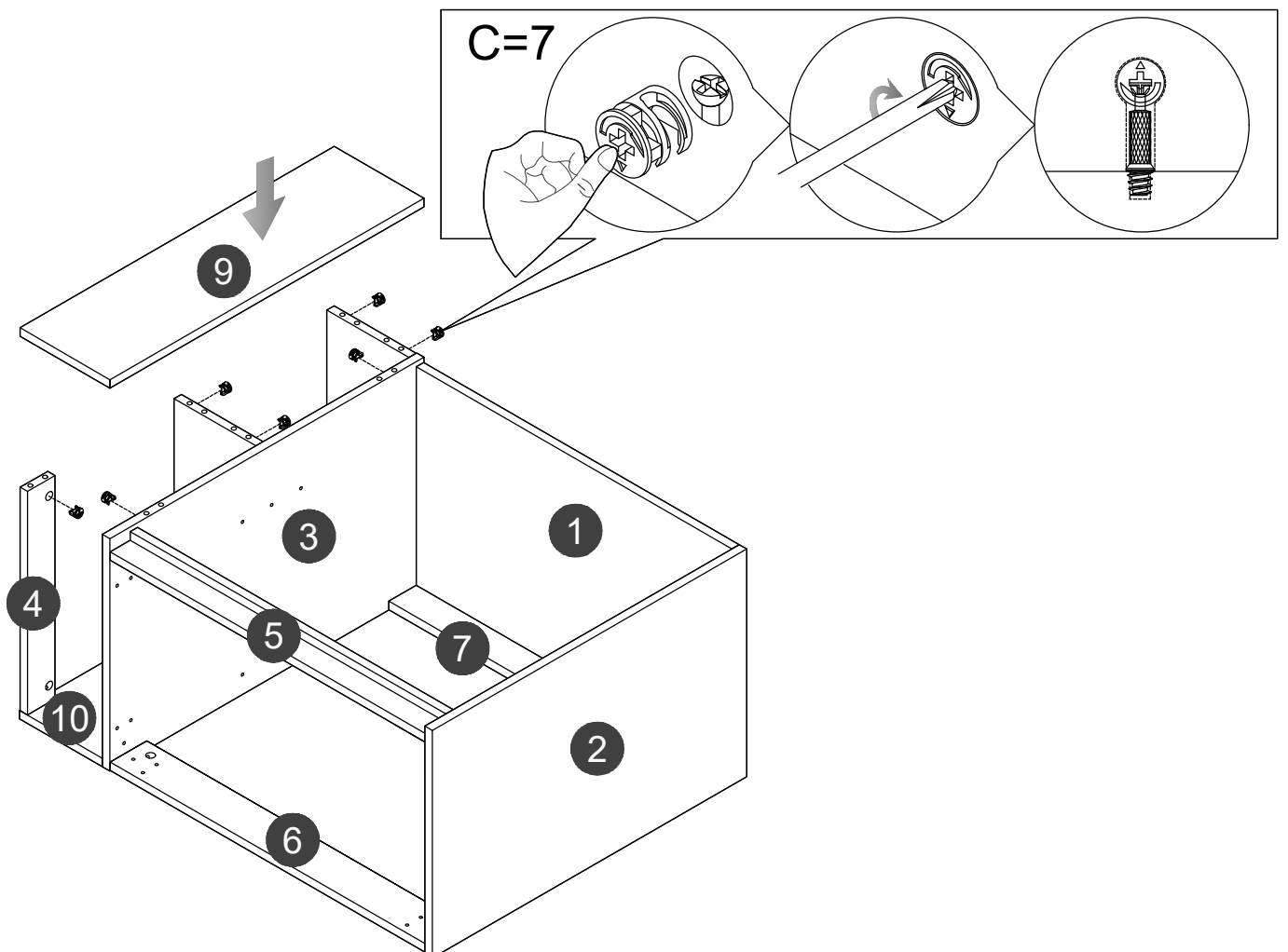
STEP 5



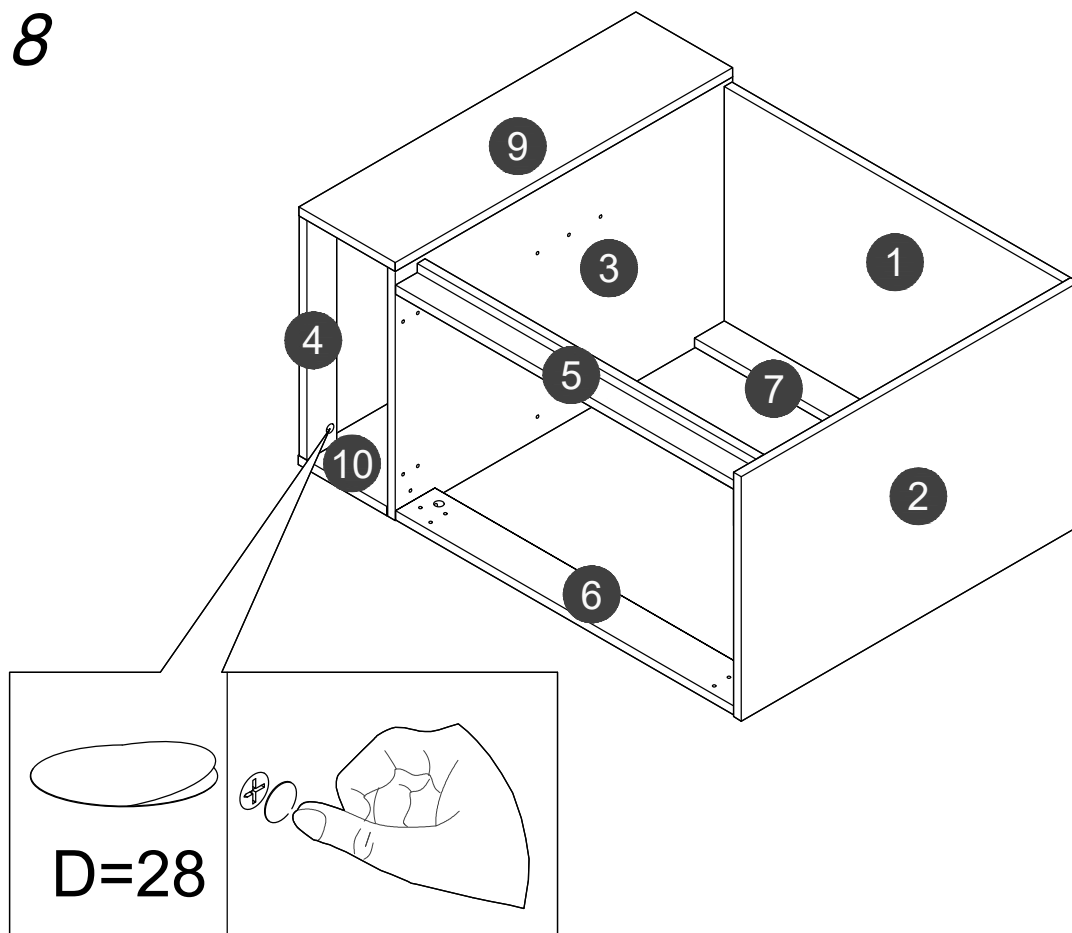
STEP 6



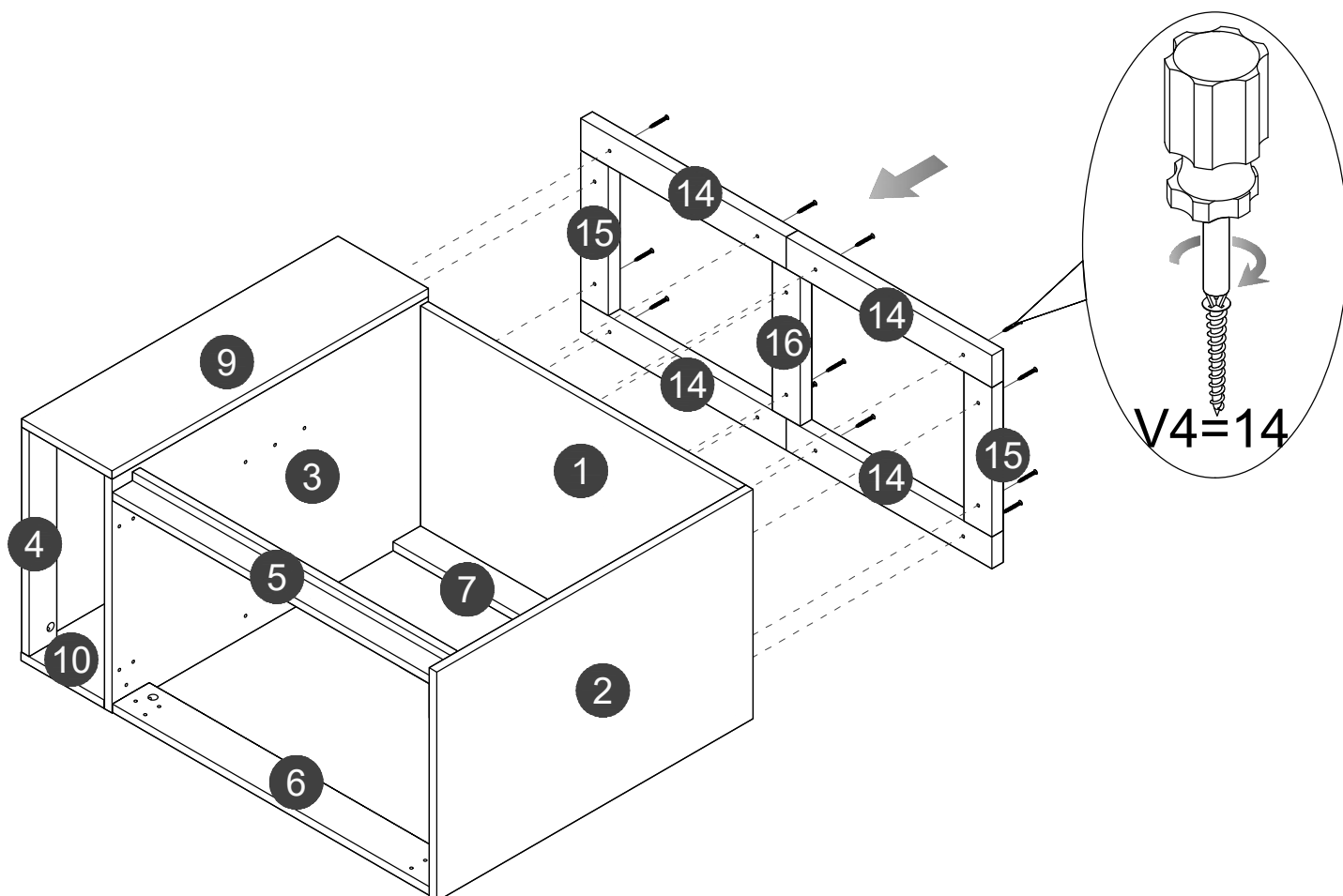
STEP 7



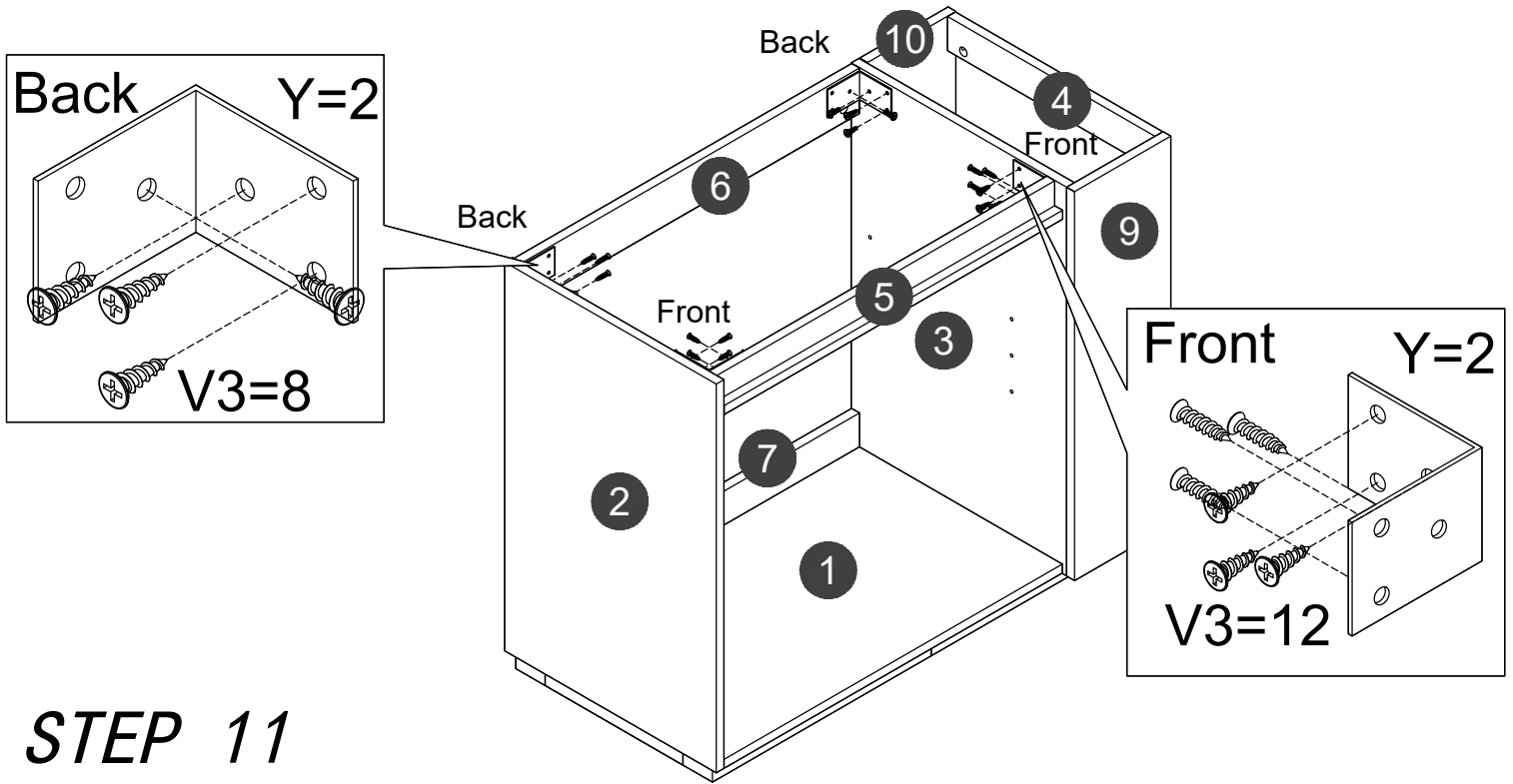
STEP 8



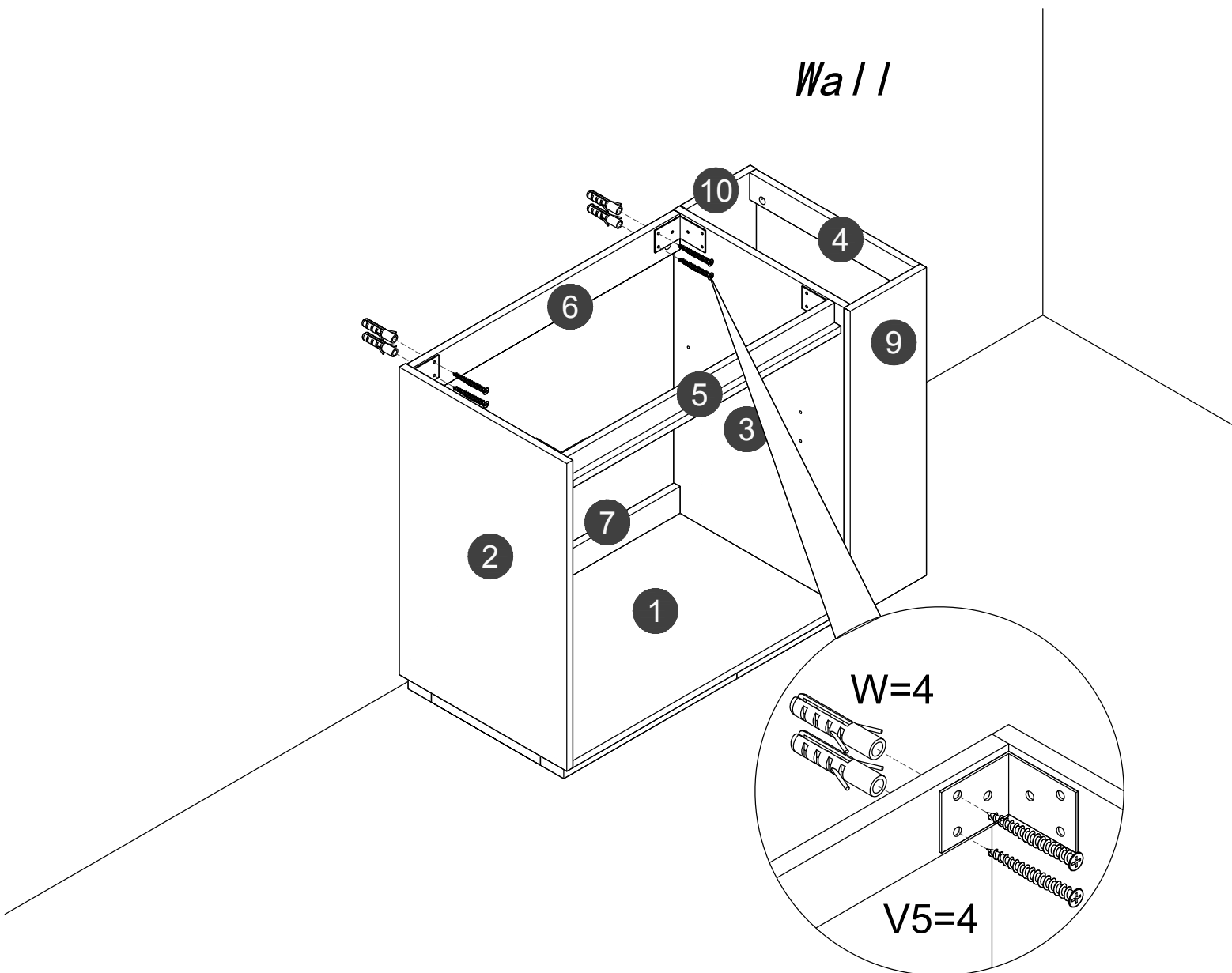
STEP 9



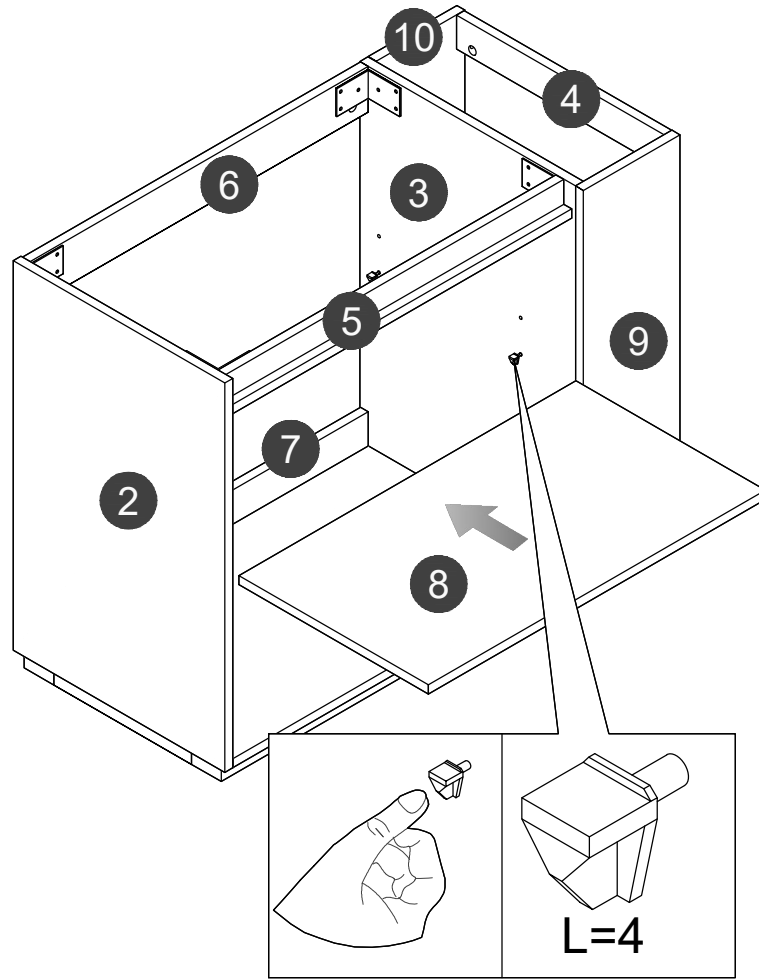
STEP 10



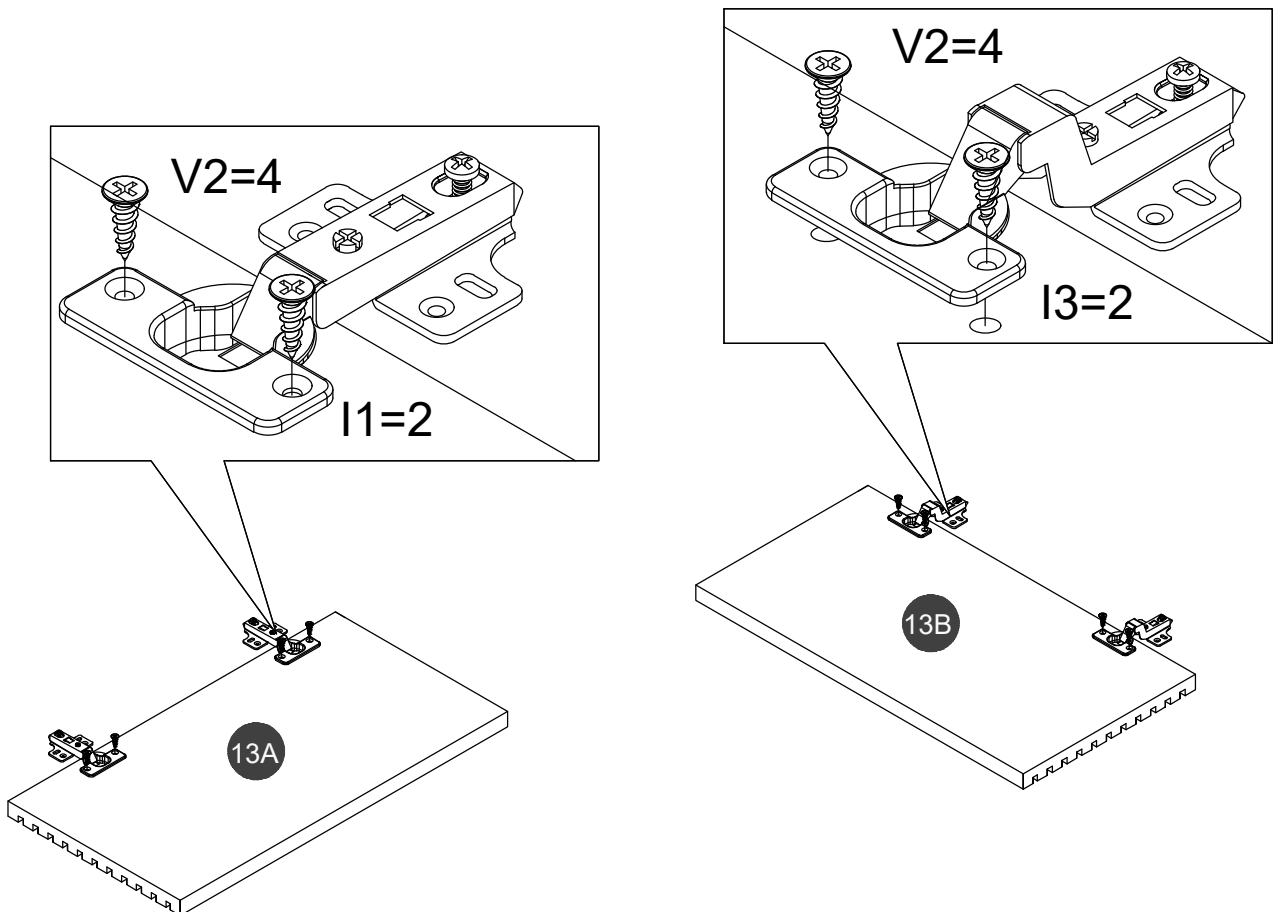
STEP 11



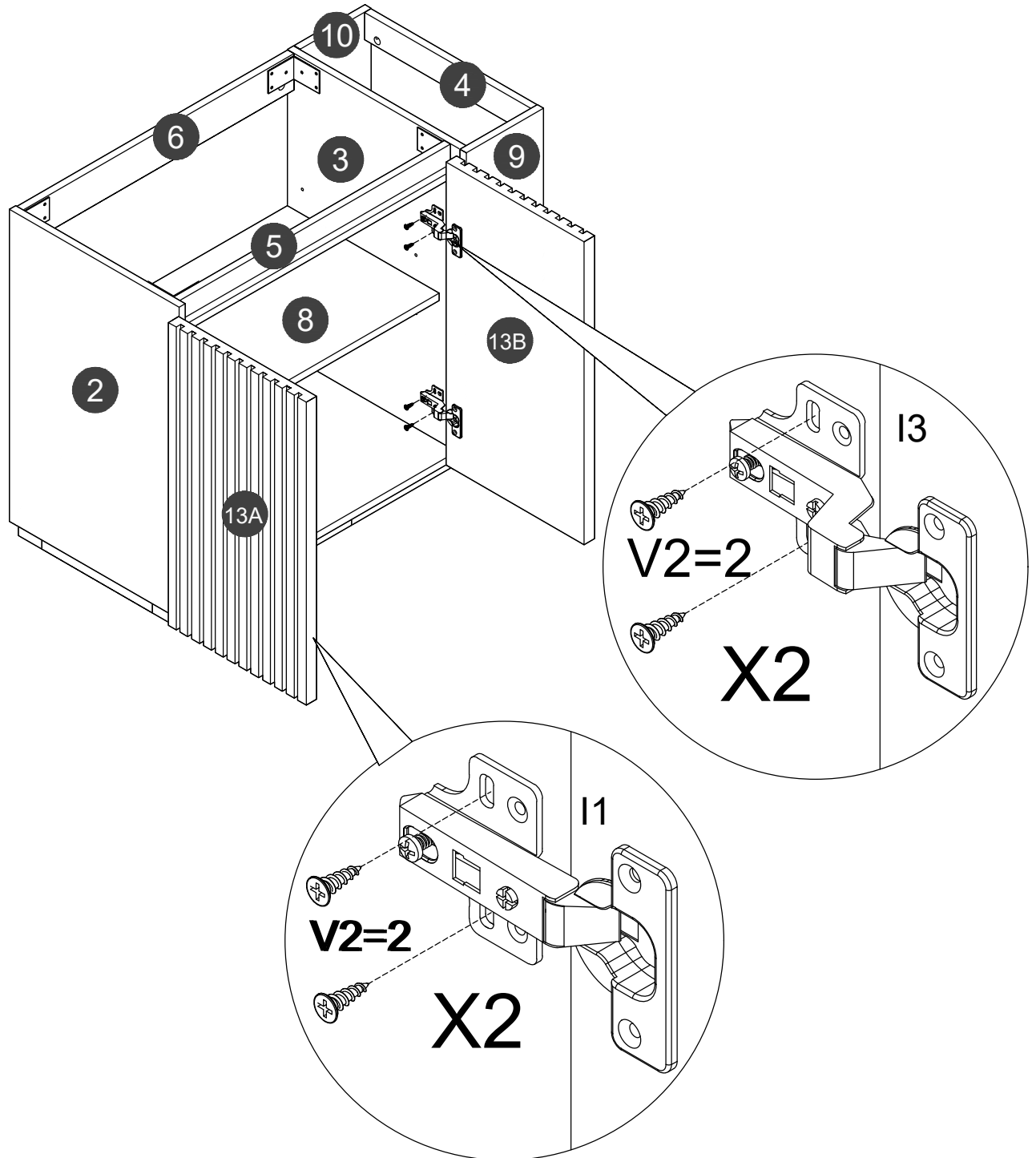
STEP 12



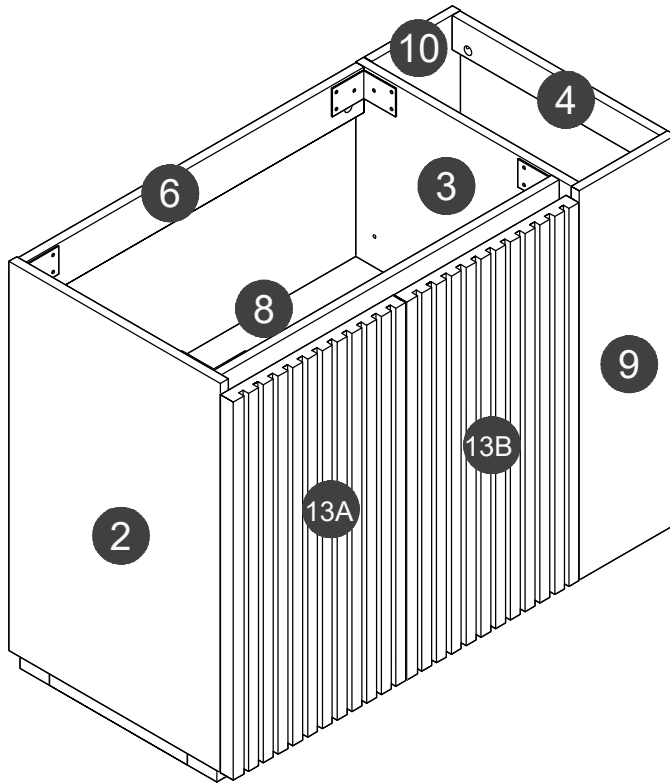
STEP 13



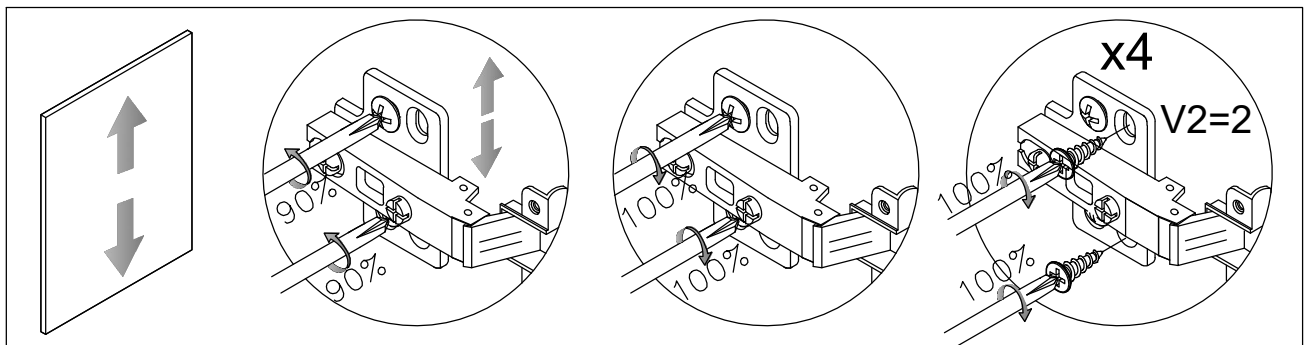
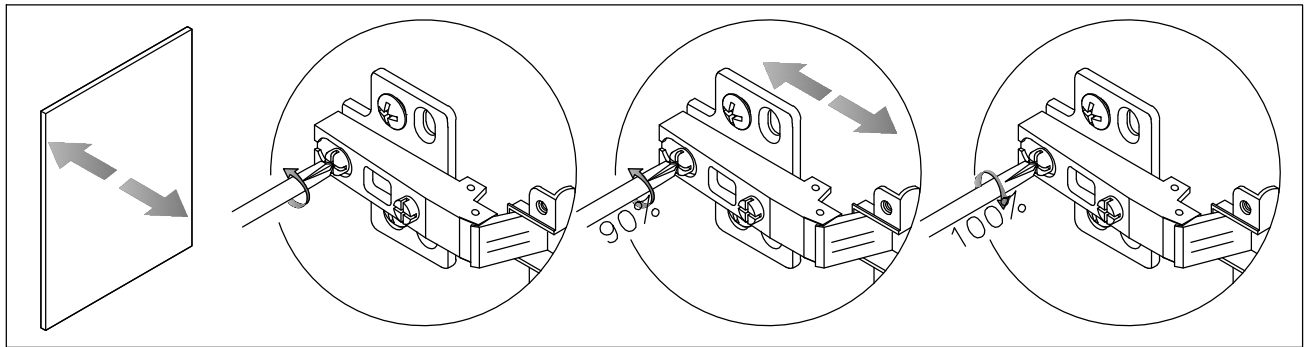
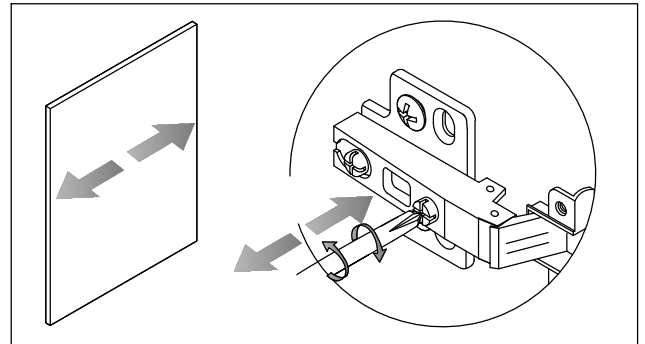
STEP 14



STEP 15

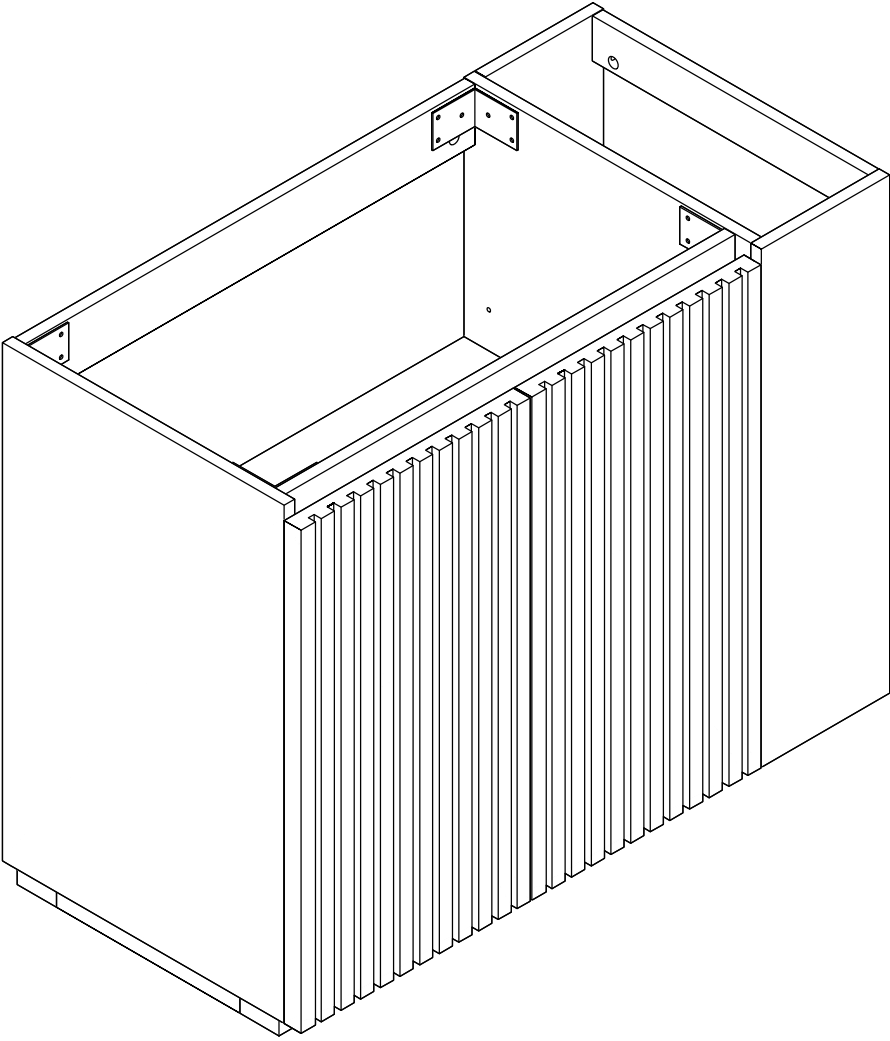


ADJUSTABLE



x4
V2=2

STEP 16



Finish