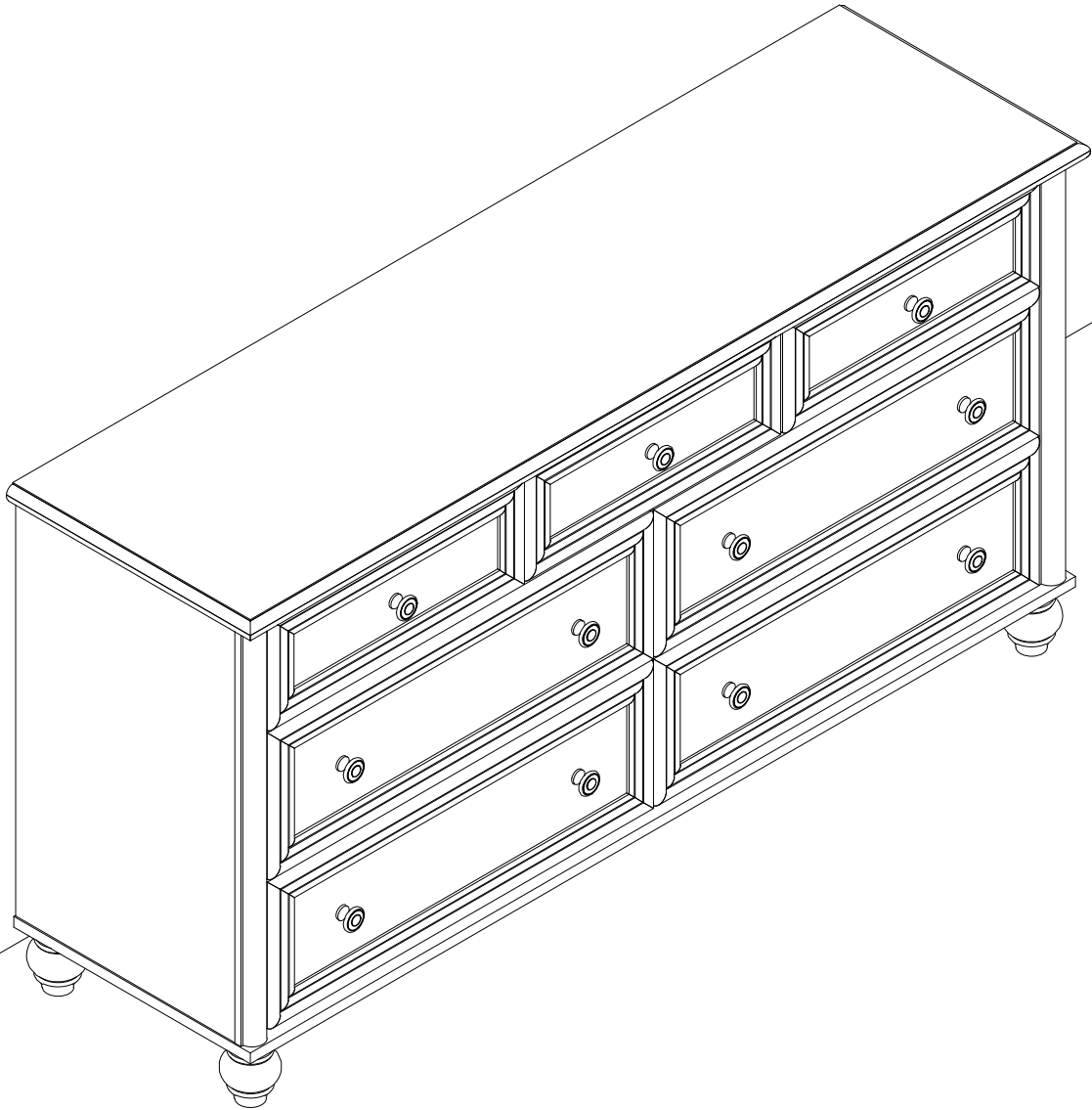
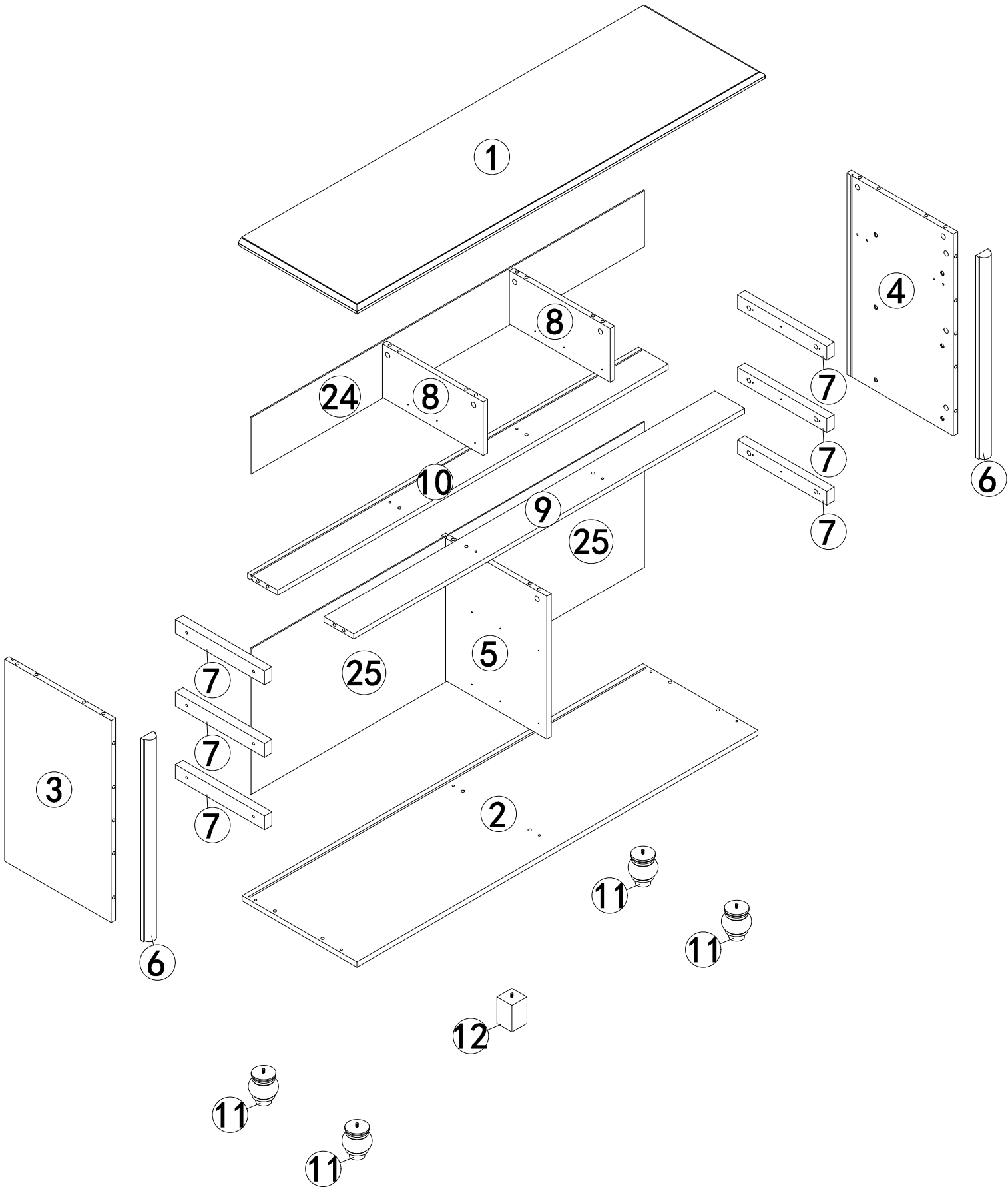


Assembly Instructions

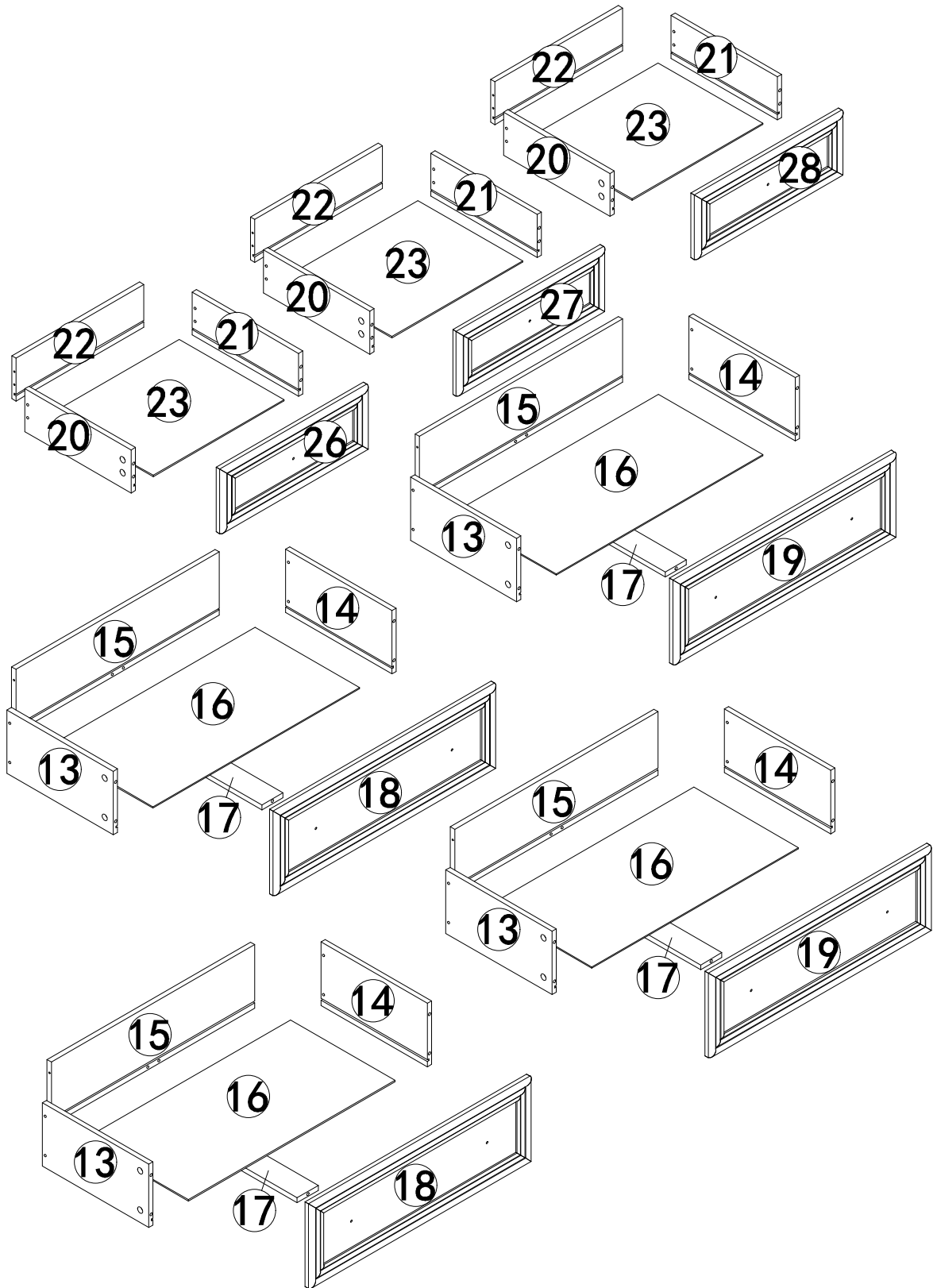


Instructions for use: The cabinet legs should be designed to avoid lateral stress. When moving, please lift vertically off the ground. Dragging may cause loose connectors, affecting stability and service life

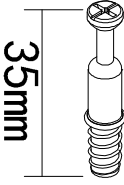
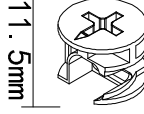
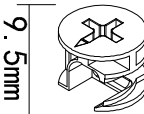


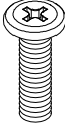
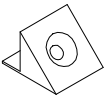

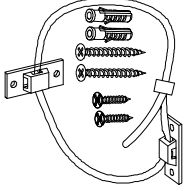

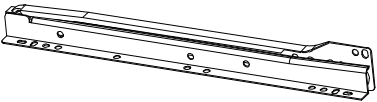

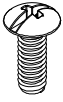
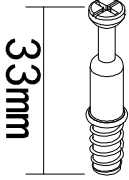

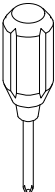
PART LIST



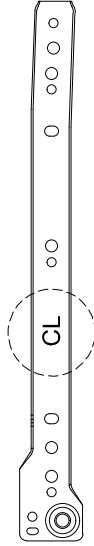
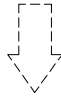
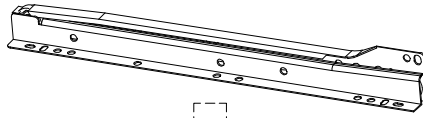
PART LIST



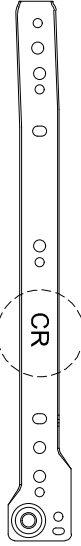
HARDWARE LIST

<p>A</p>  <p>35mm</p> <p>Ø6x35mm (24+2)PCS</p>	<p>B</p>  <p>11.5mm</p> <p>Ø15x11.5mm (24+2)PCS</p>	<p>C</p>  <p>9.5mm</p> <p>Ø15x9.5mm (32+2)PCS</p>
<p>D</p>  <p>Ø8x30mm (24+2)PCS</p>	<p>E</p>  <p>Ø5x40mm (46+3)PCS</p>	<p>F</p>  <p>Ø6x25mm 12PCS</p>
<p>G</p>  <p>(12+1)PCS</p>	<p>H</p>  <p>Ø3x15mm (12+1)PCS</p>	<p>I</p>  <p>2SET</p>
<p>J</p>  <p>Ø3x12mm (84+5)PCS</p>	<p>K</p>  <p>7SET</p>	<p>L</p>  <p>11PCS</p>
<p>M</p>  <p>Ø4x12mm (11+1)PCS</p>	<p>N</p>  <p>33mm</p> <p>Ø6x33mm (32+2)PCS</p>	 <p>1PC</p>
 <p>1PC</p>		

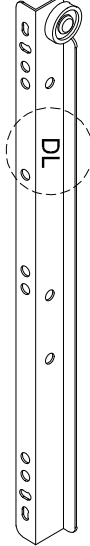
! K X 7SET



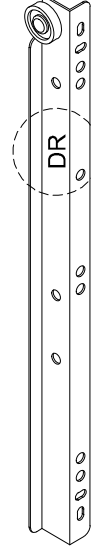
CL



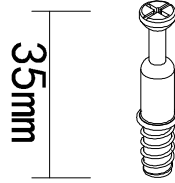
CR



DL

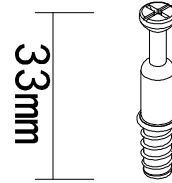


DR



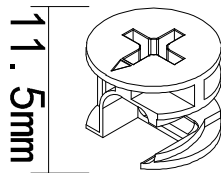
35mm

A



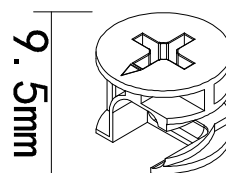
33mm

N



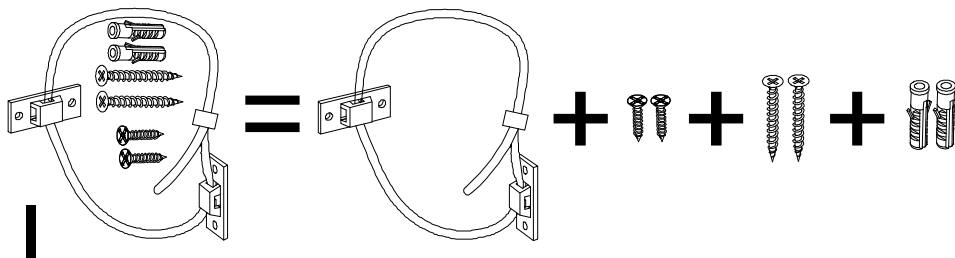
11.5mm

B

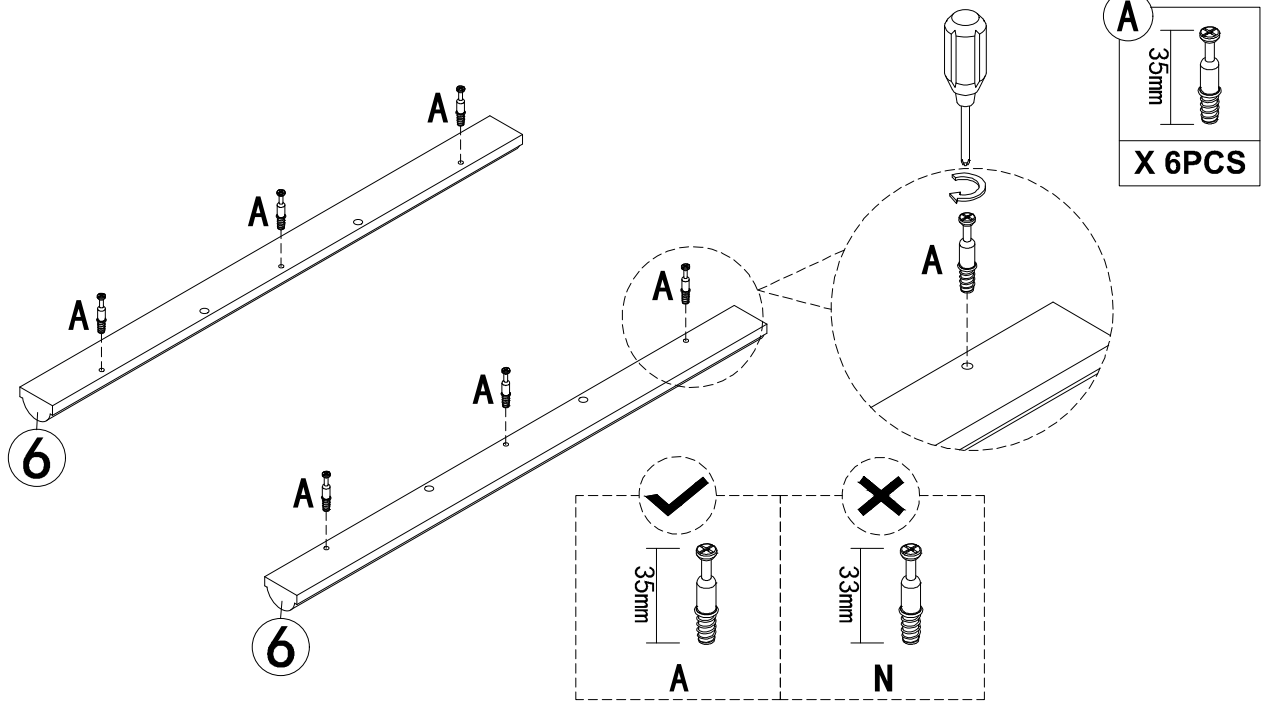


9.5mm

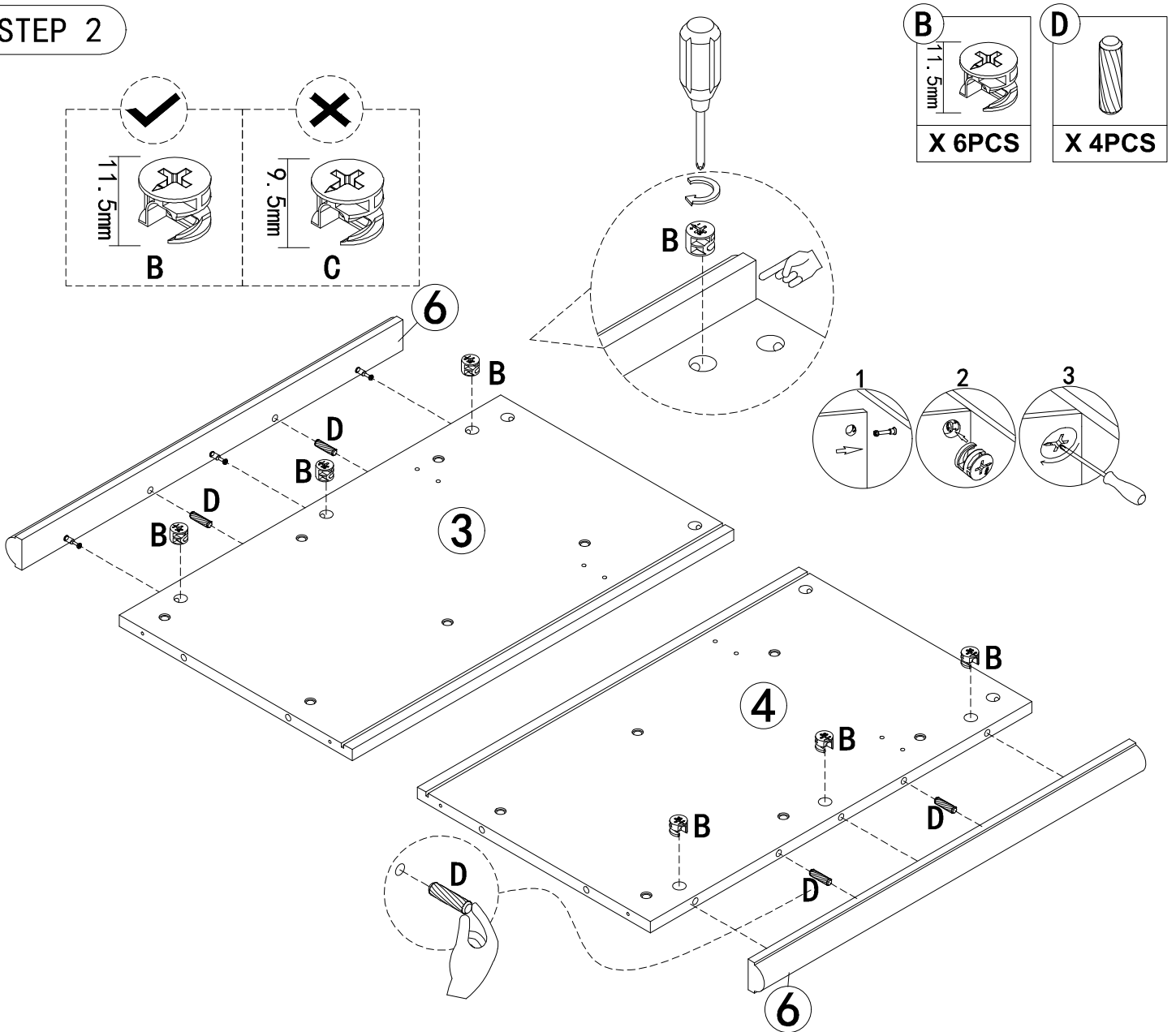
C



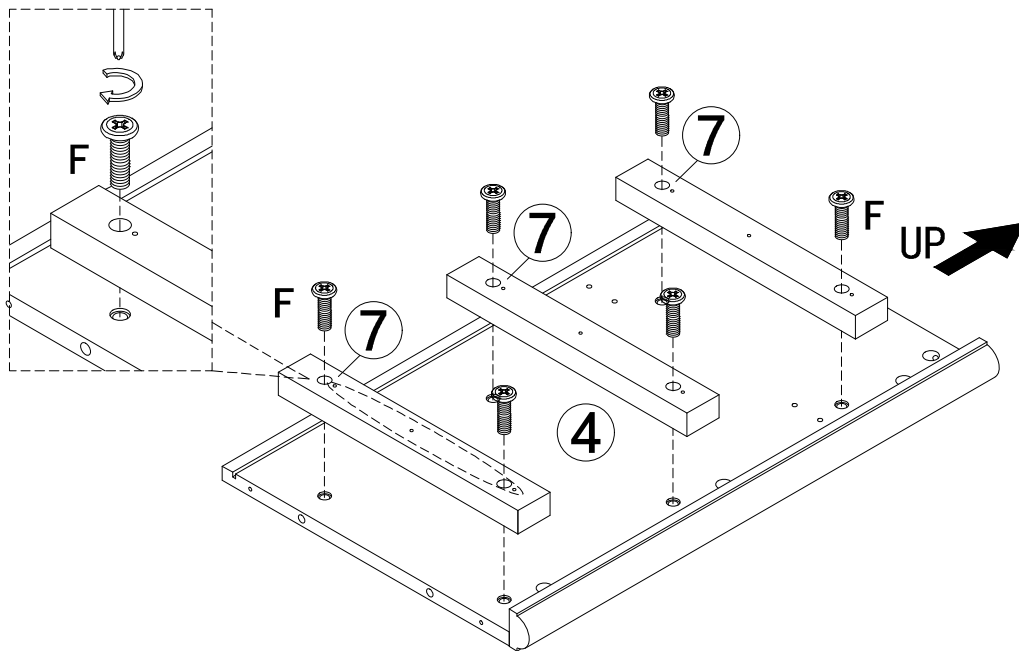
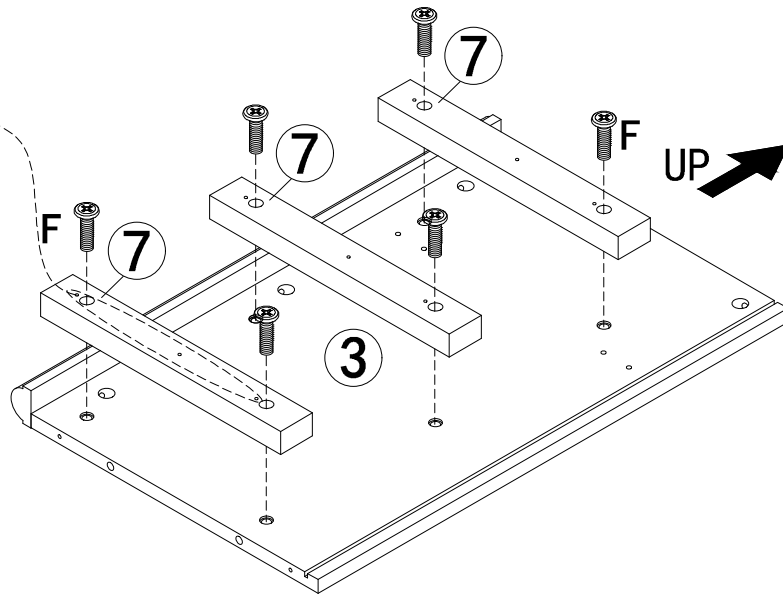
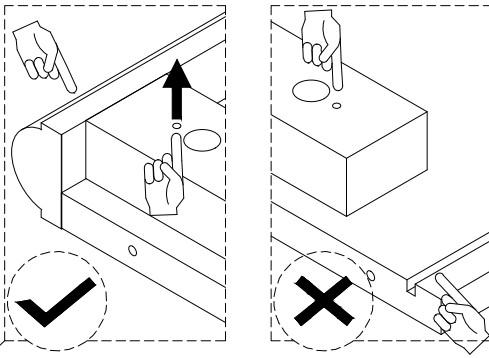
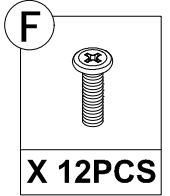
STEP 1



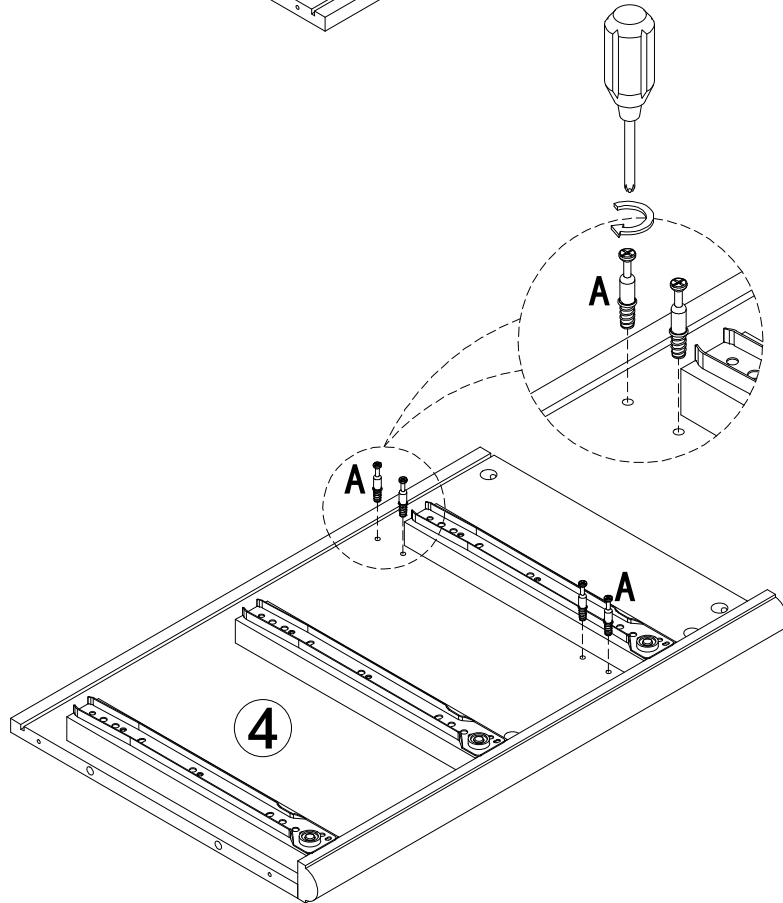
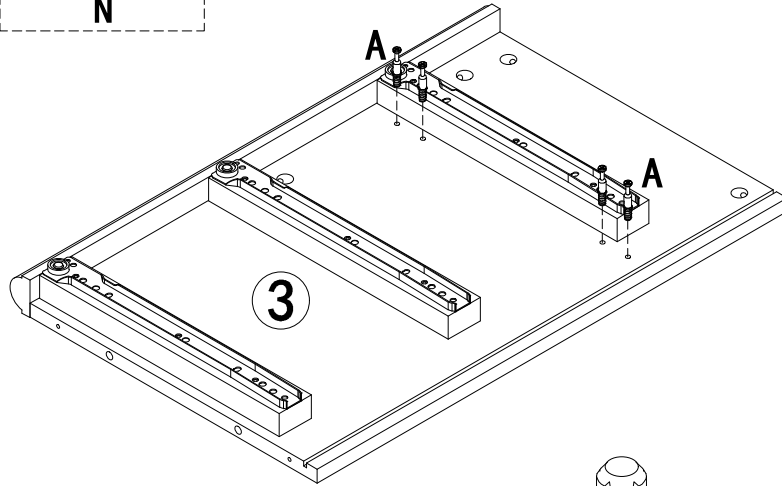
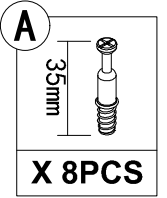
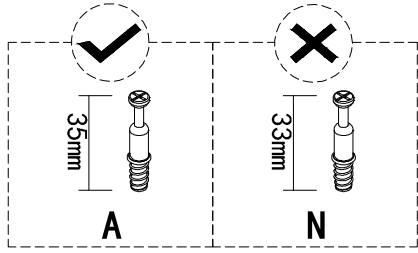
STEP 2



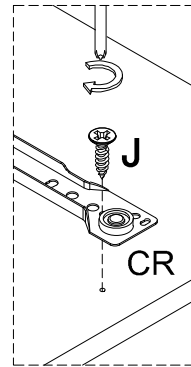
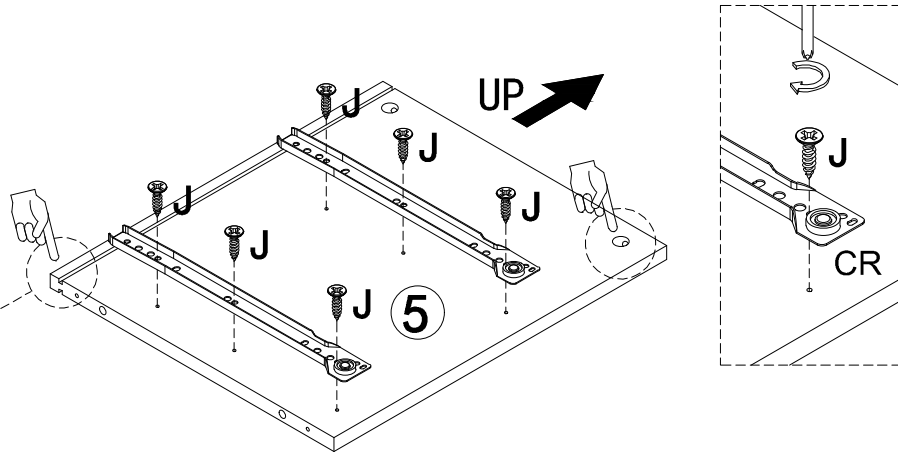
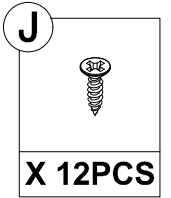
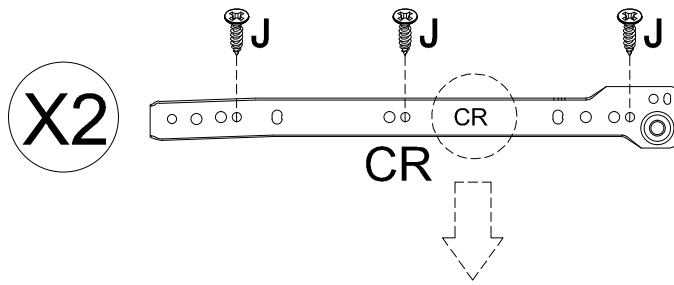
STEP 3



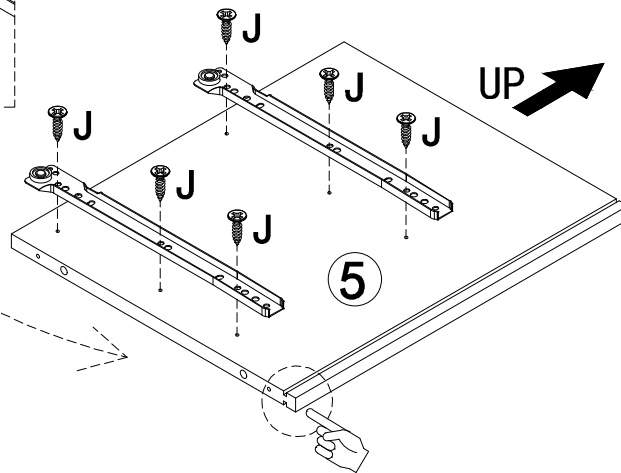
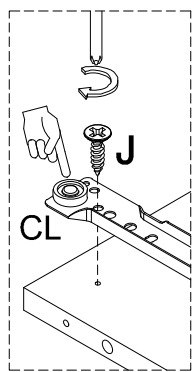
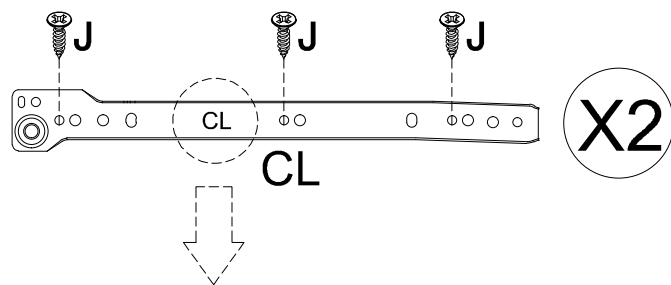
STEP 5



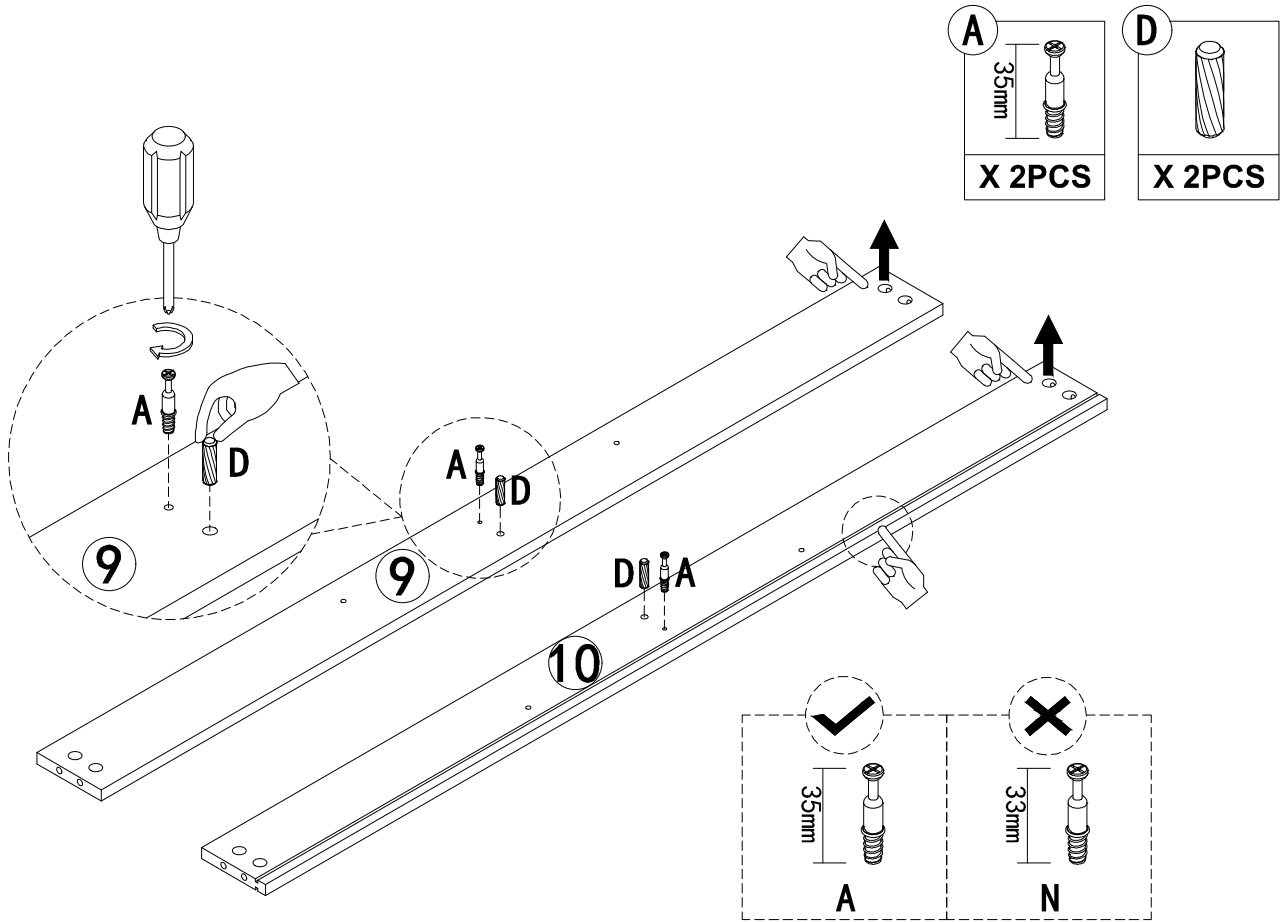
STEP 6



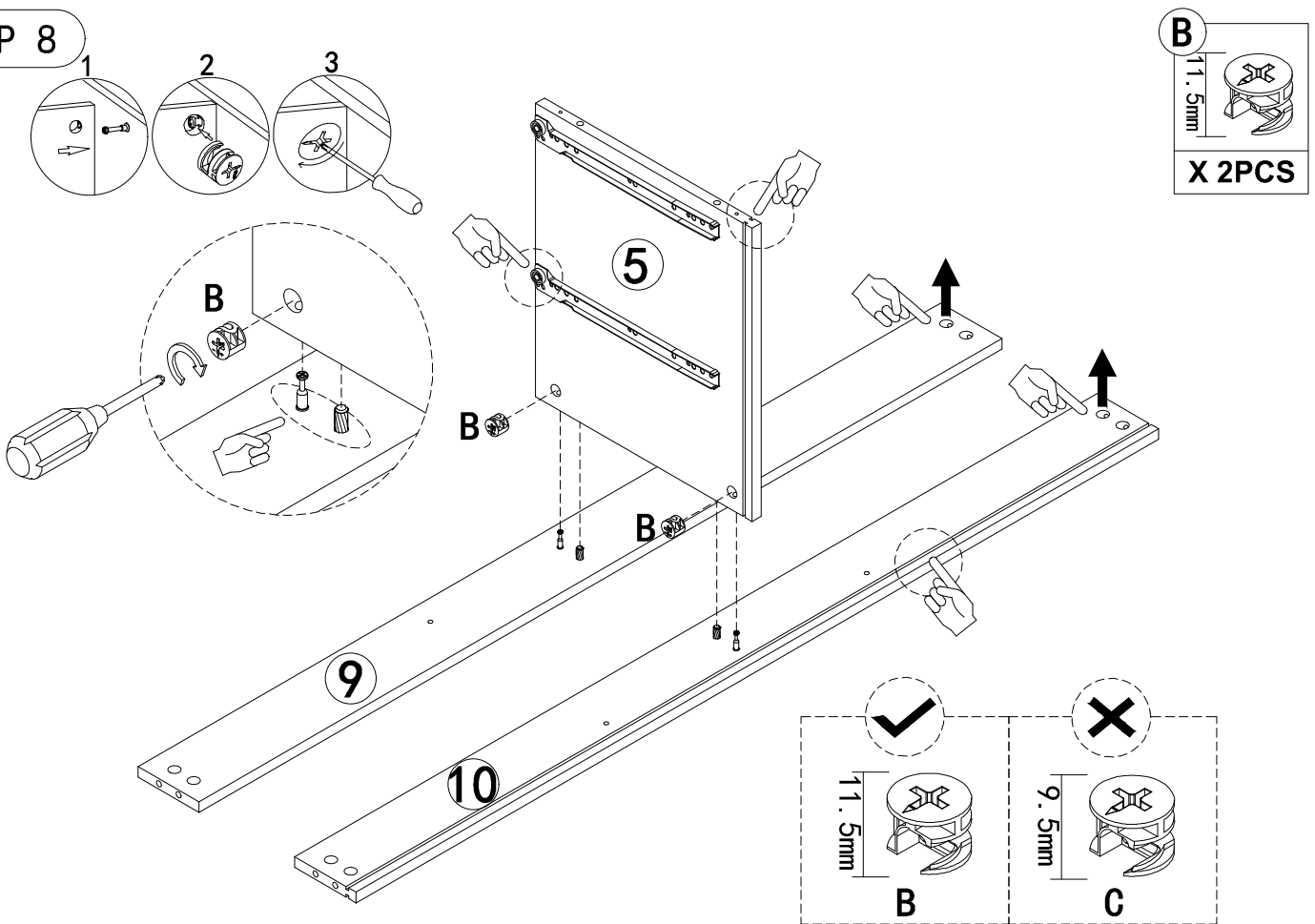
ROTATE 180°



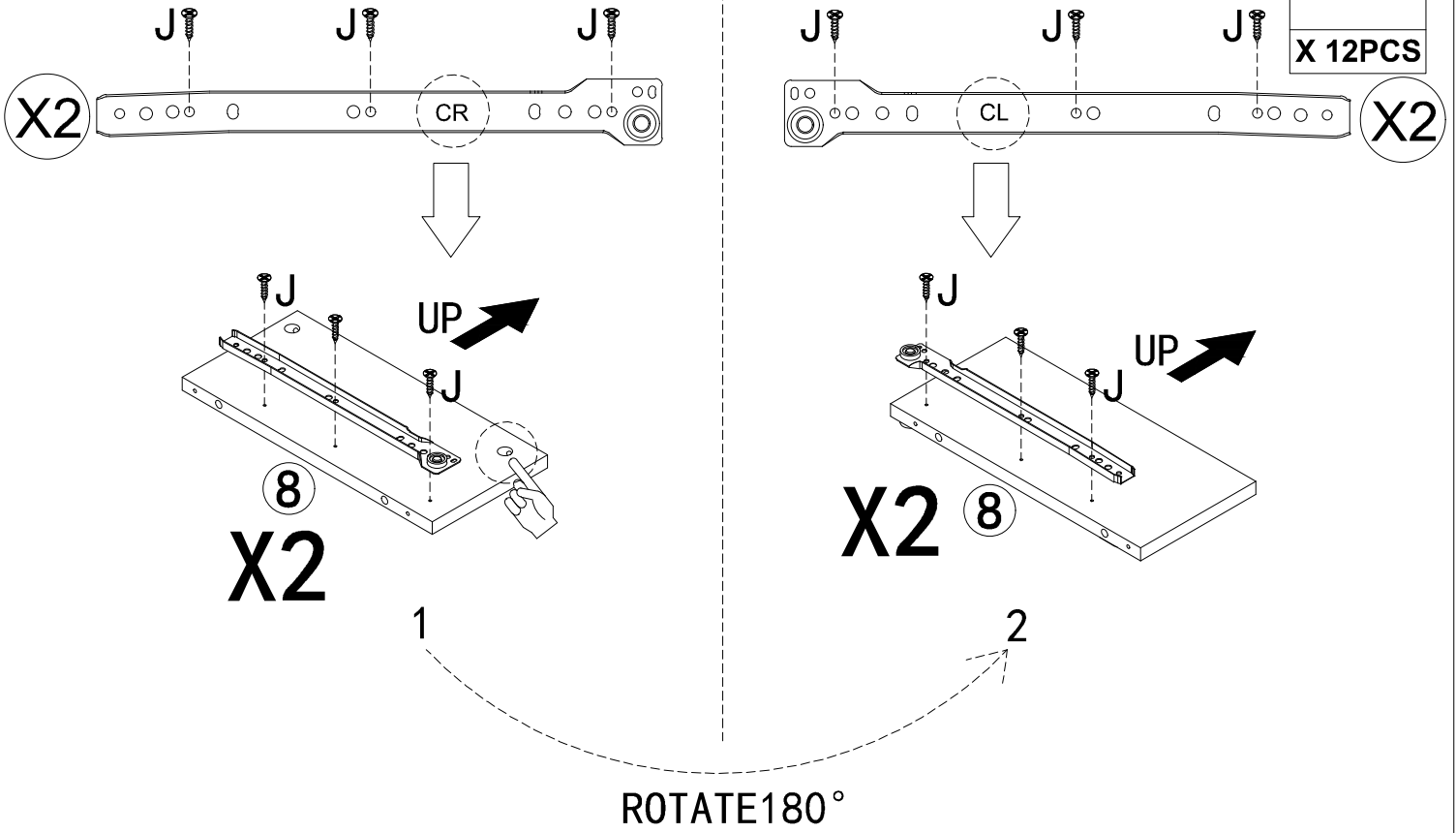
STEP 7



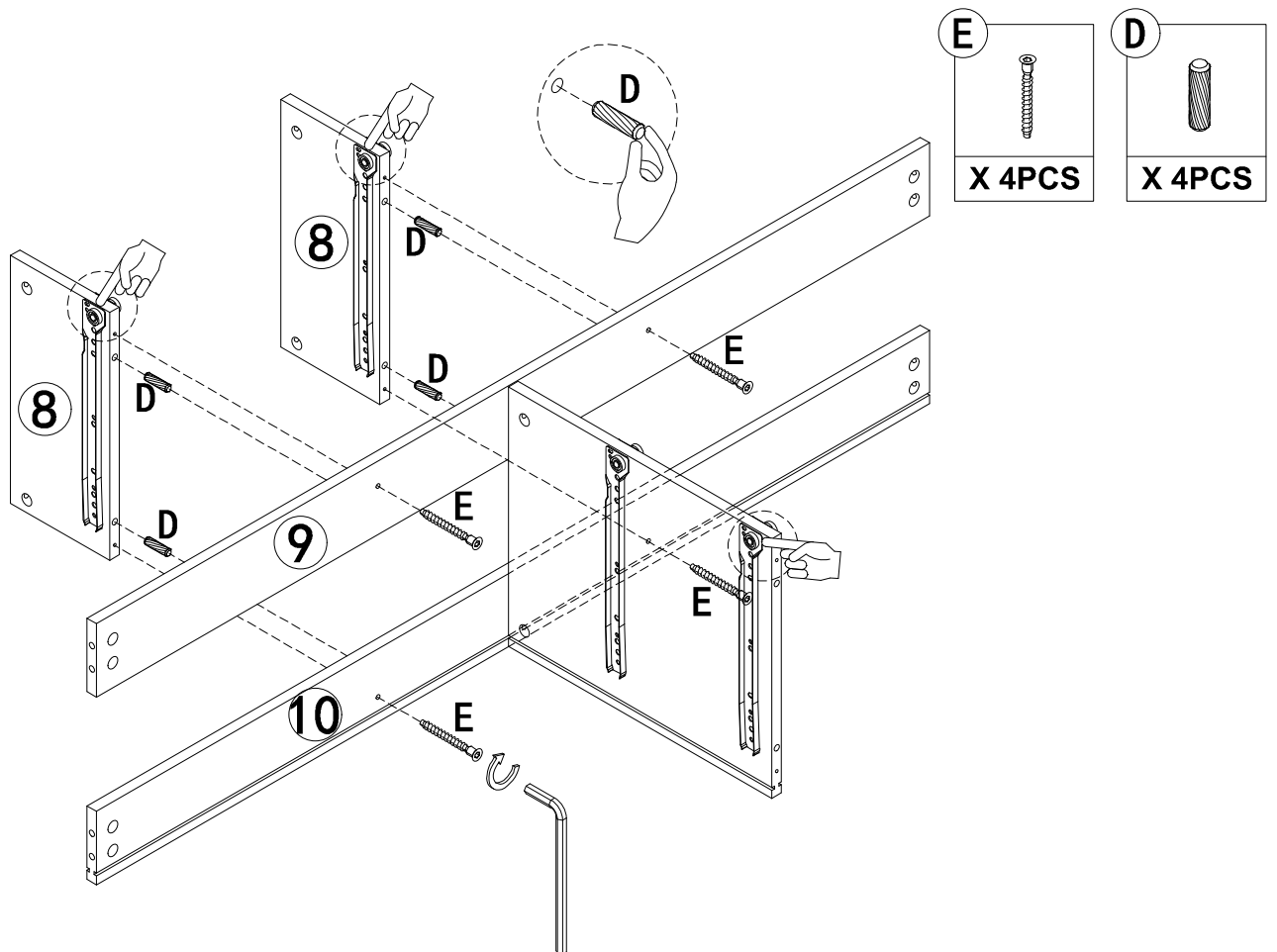
STEP 8




STEP 9

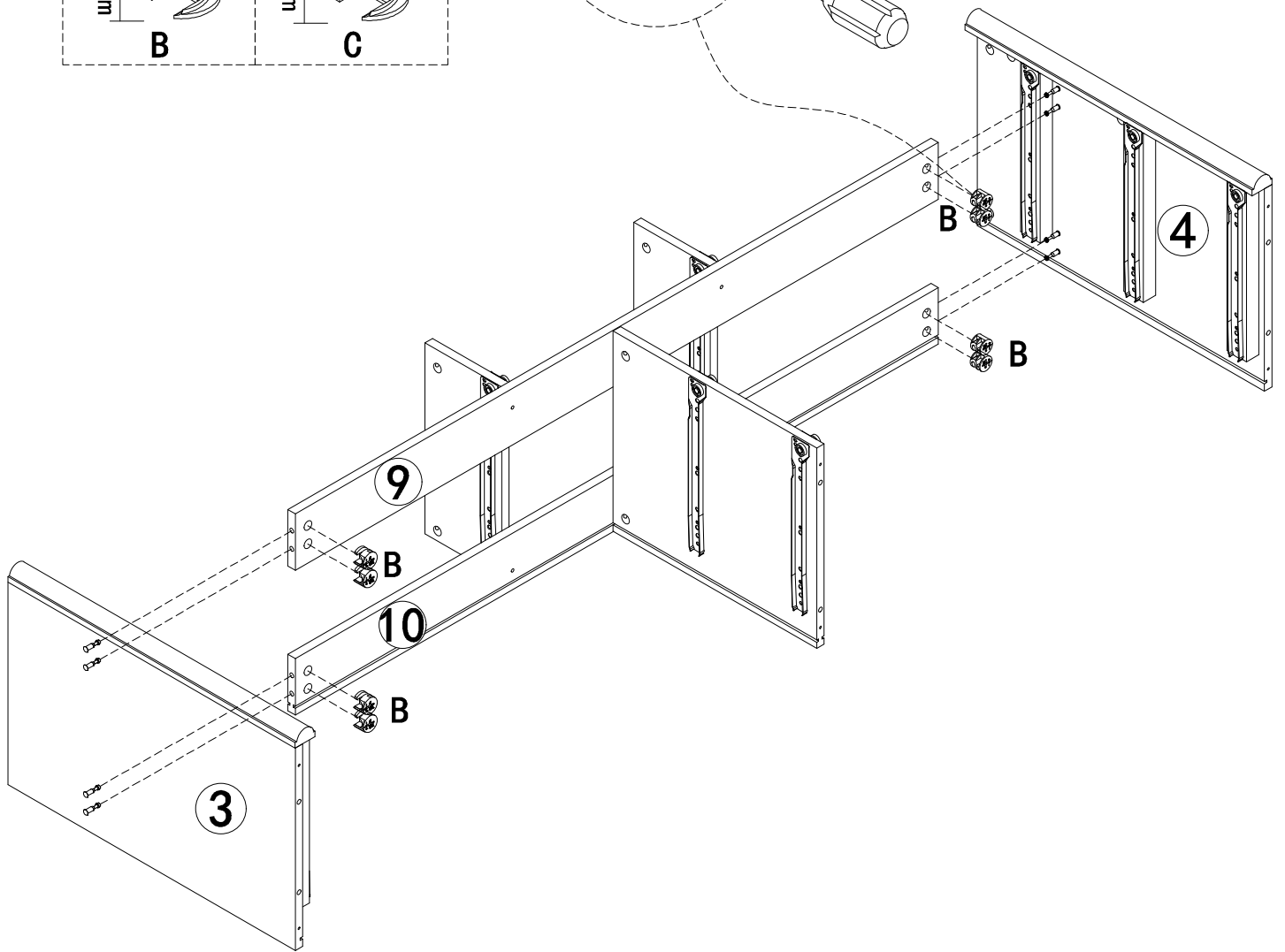
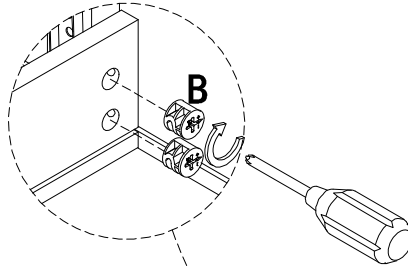
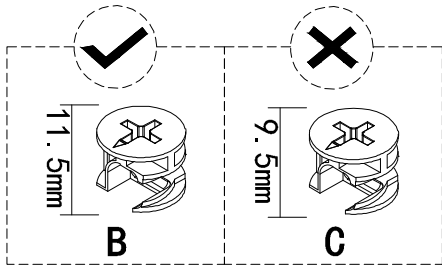
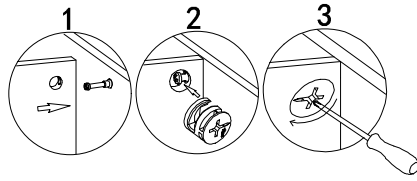


STEP 10




STEP 11

B
11.5mm

X 8PCS

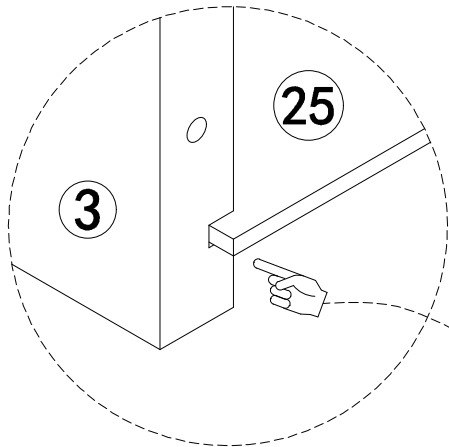
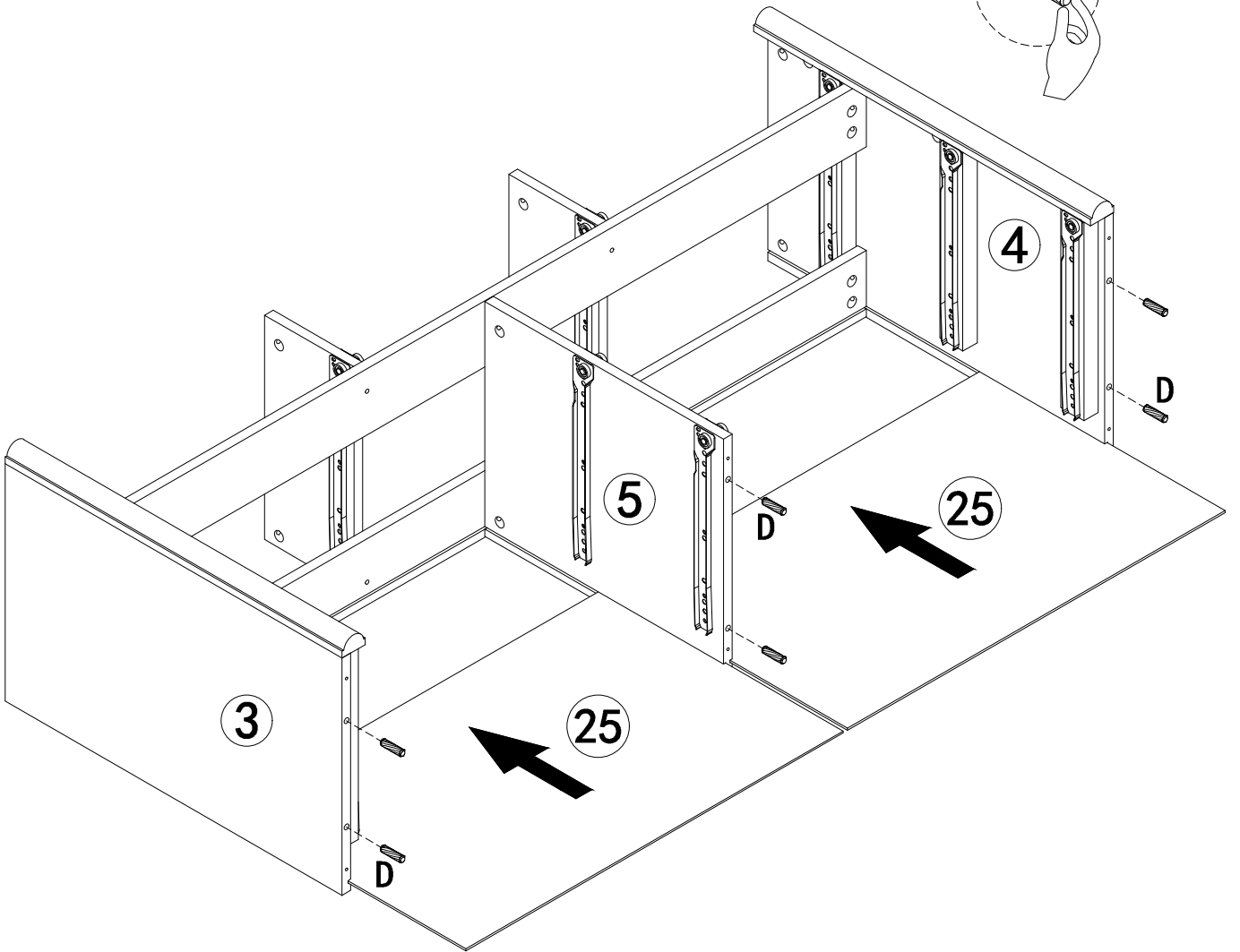
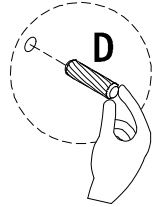


STEP 12

D

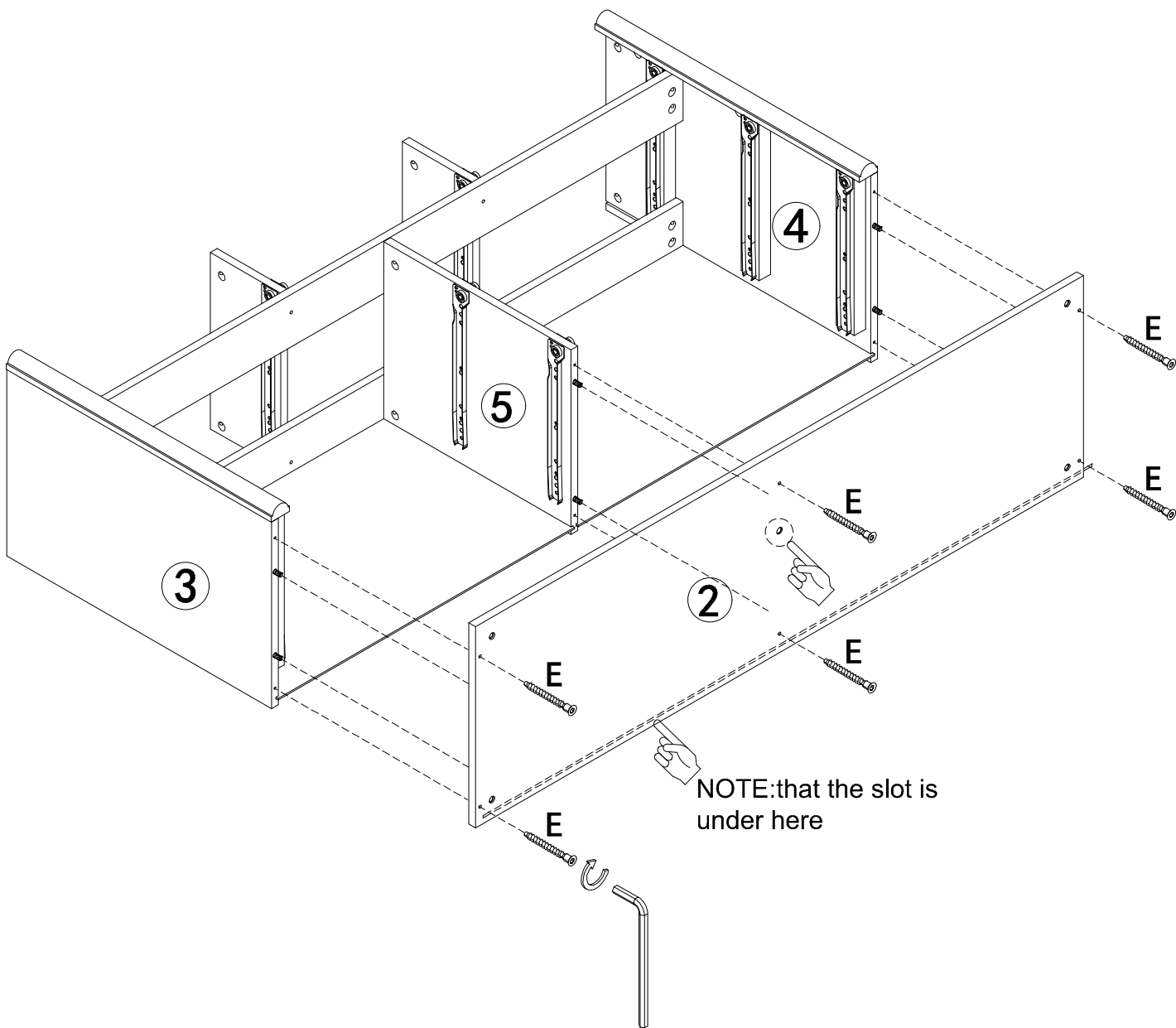
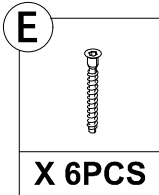


X 6PCS

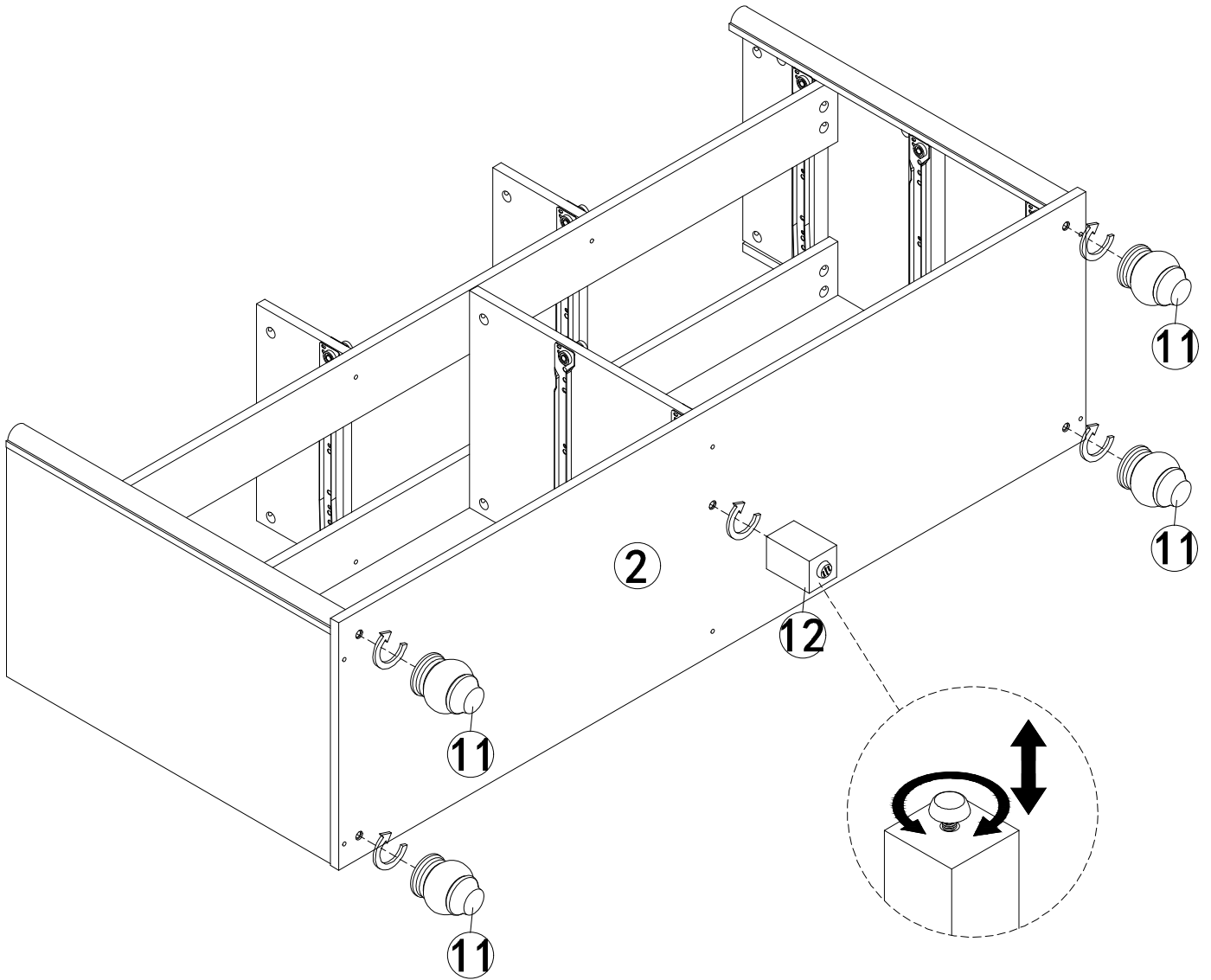


NOTE:#25 must be inserted in place

STEP 13

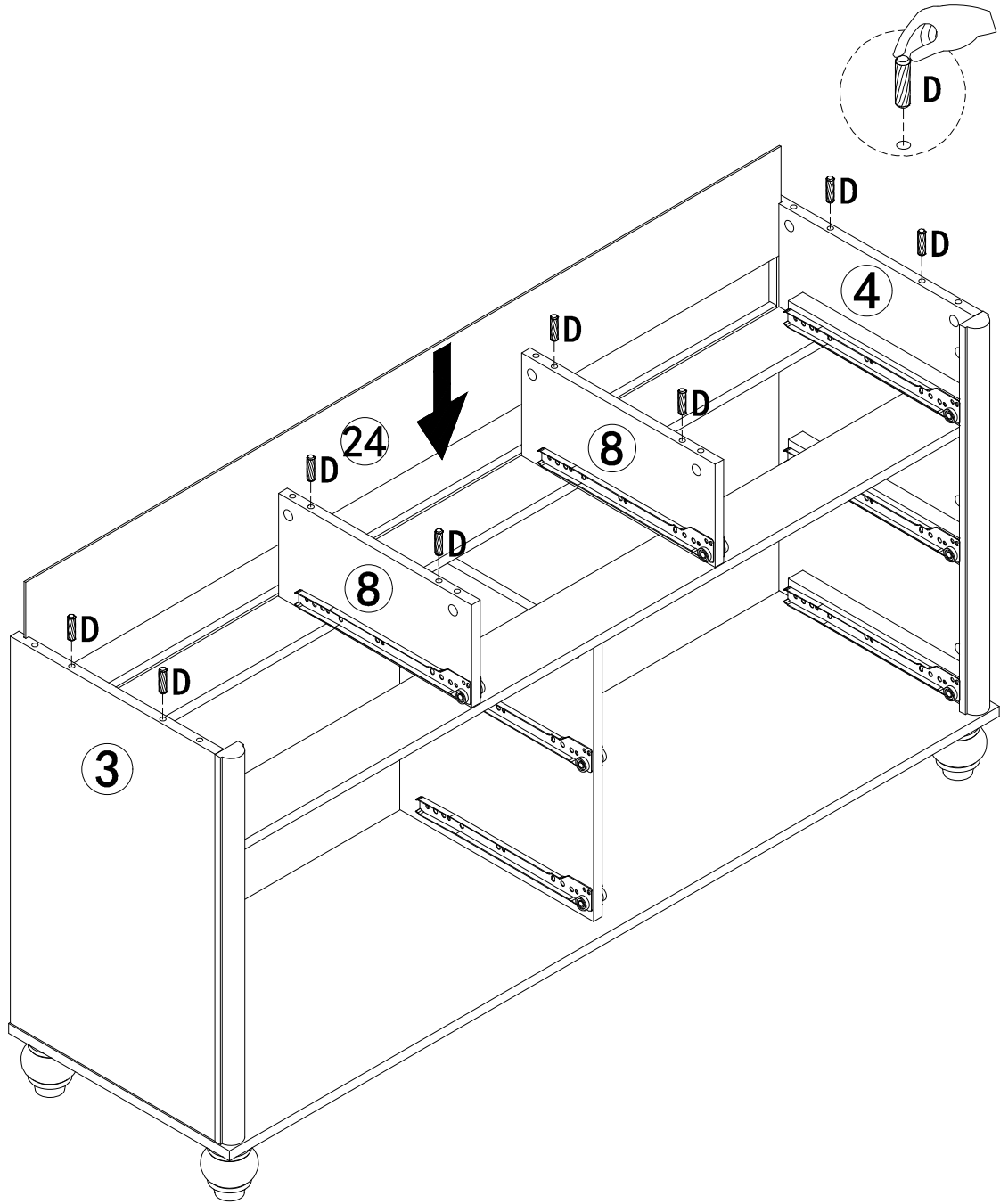


STEP 14

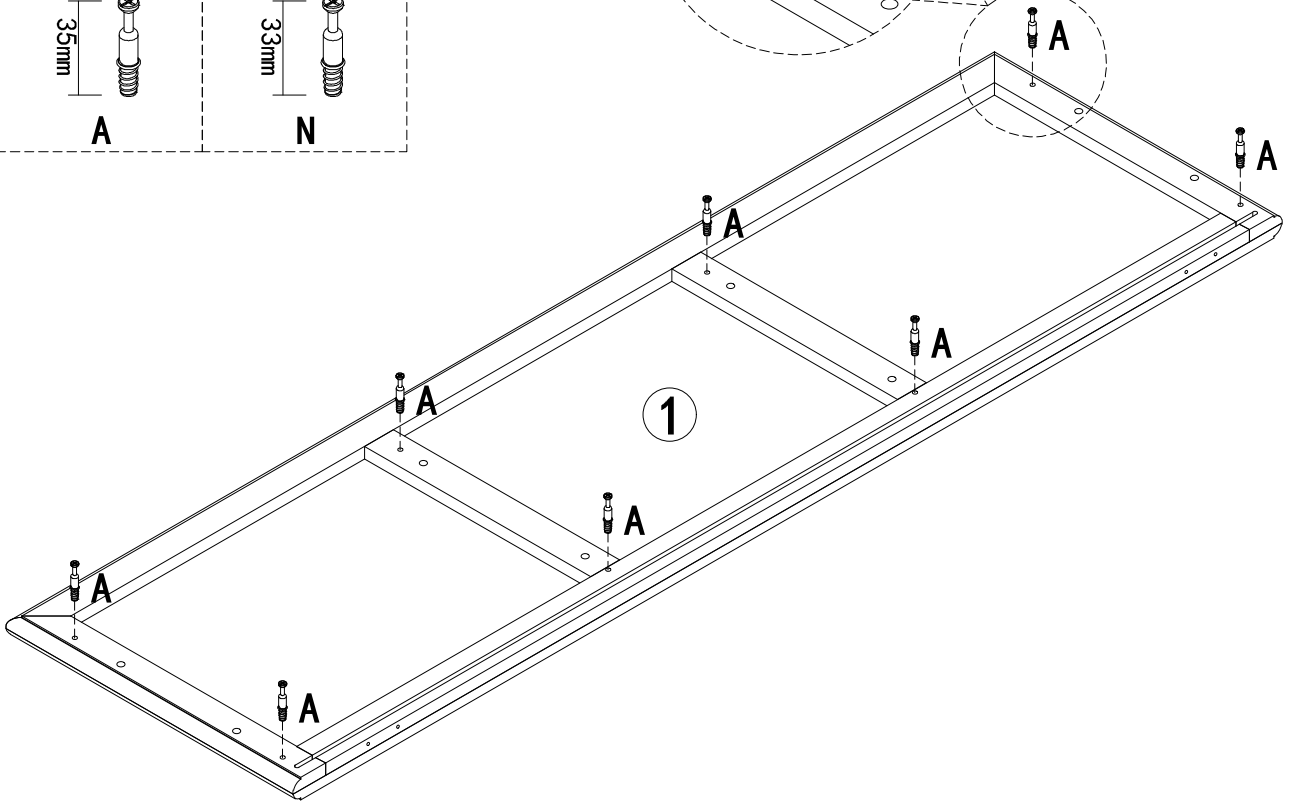
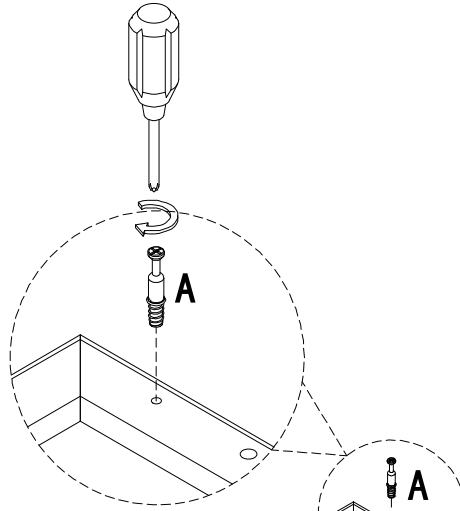
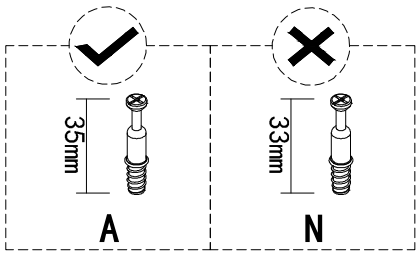
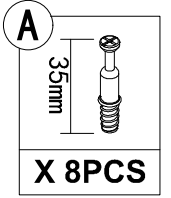


STEP 15

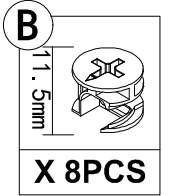
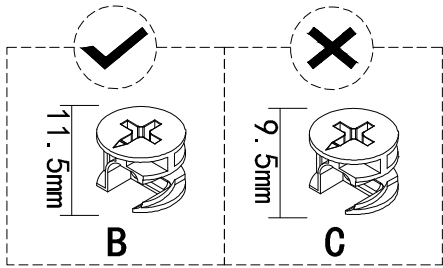
D
X 8PCS



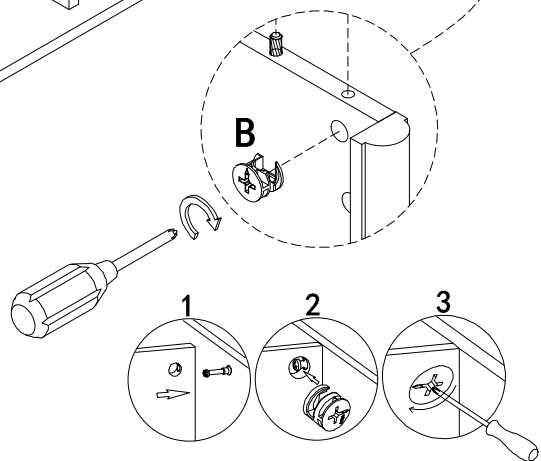
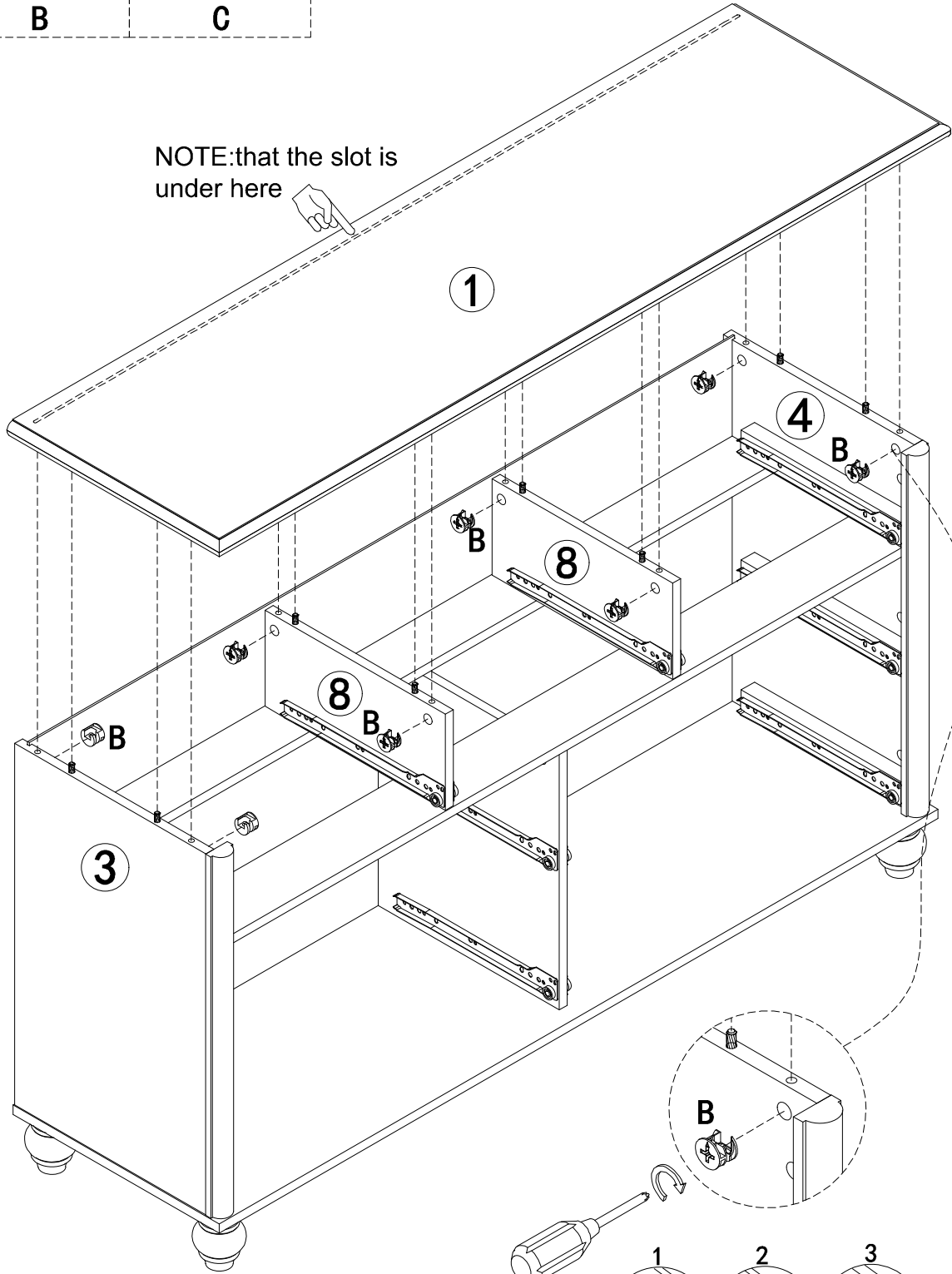
STEP 16



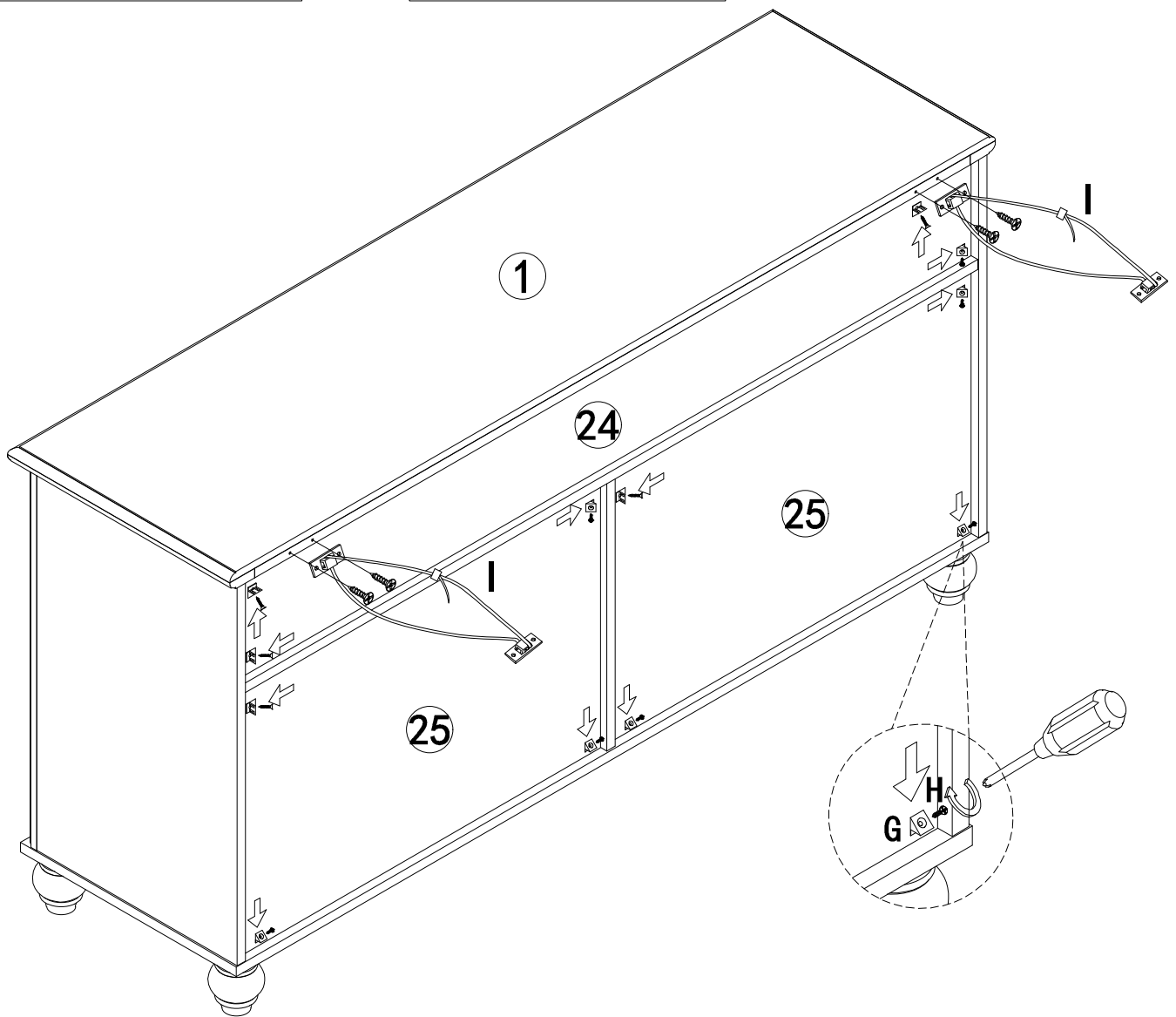
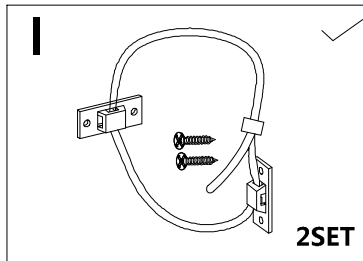
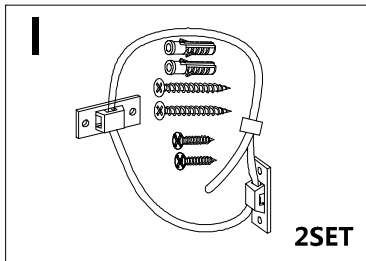
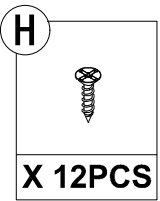
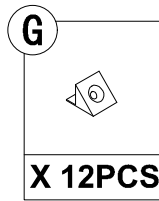
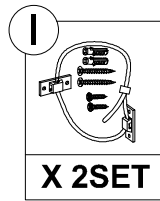
STEP 17



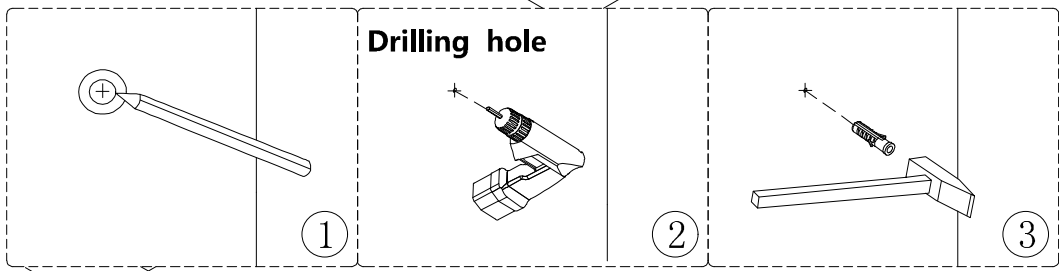
NOTE: that the slot is under here



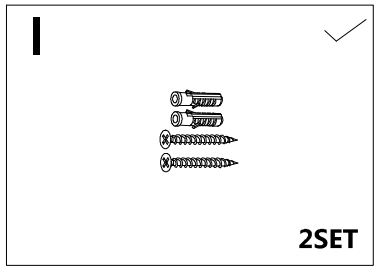
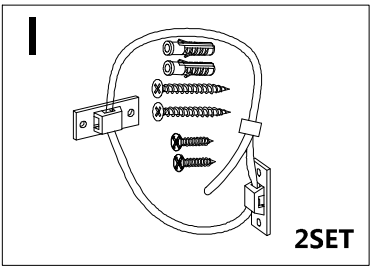
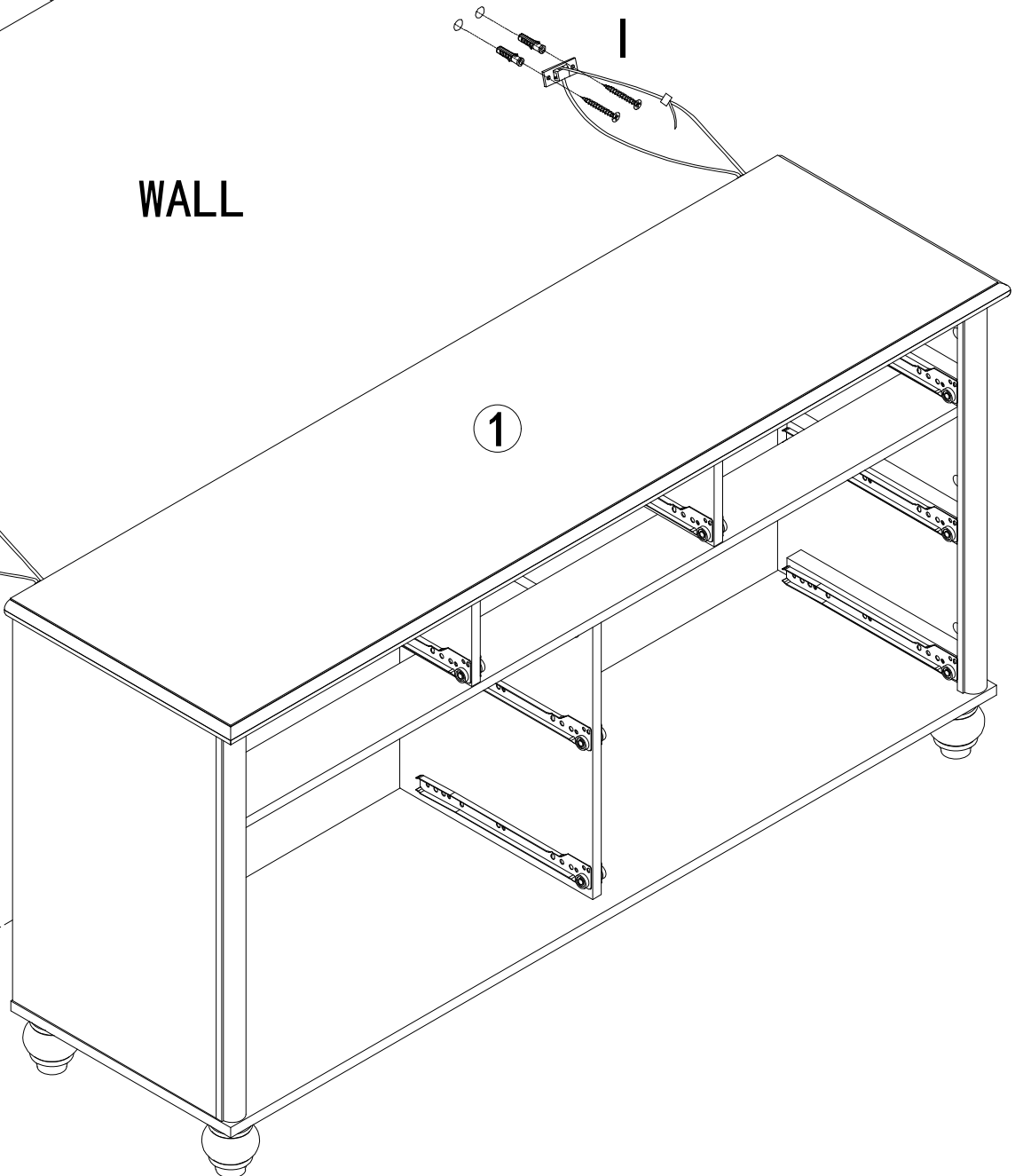
STEP 18



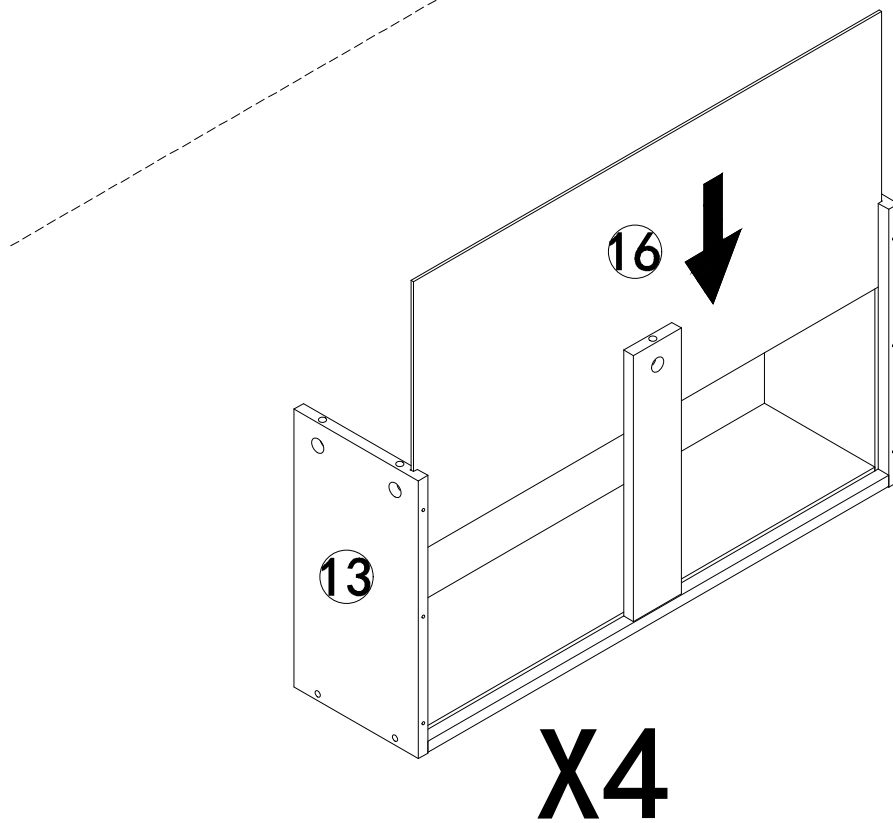
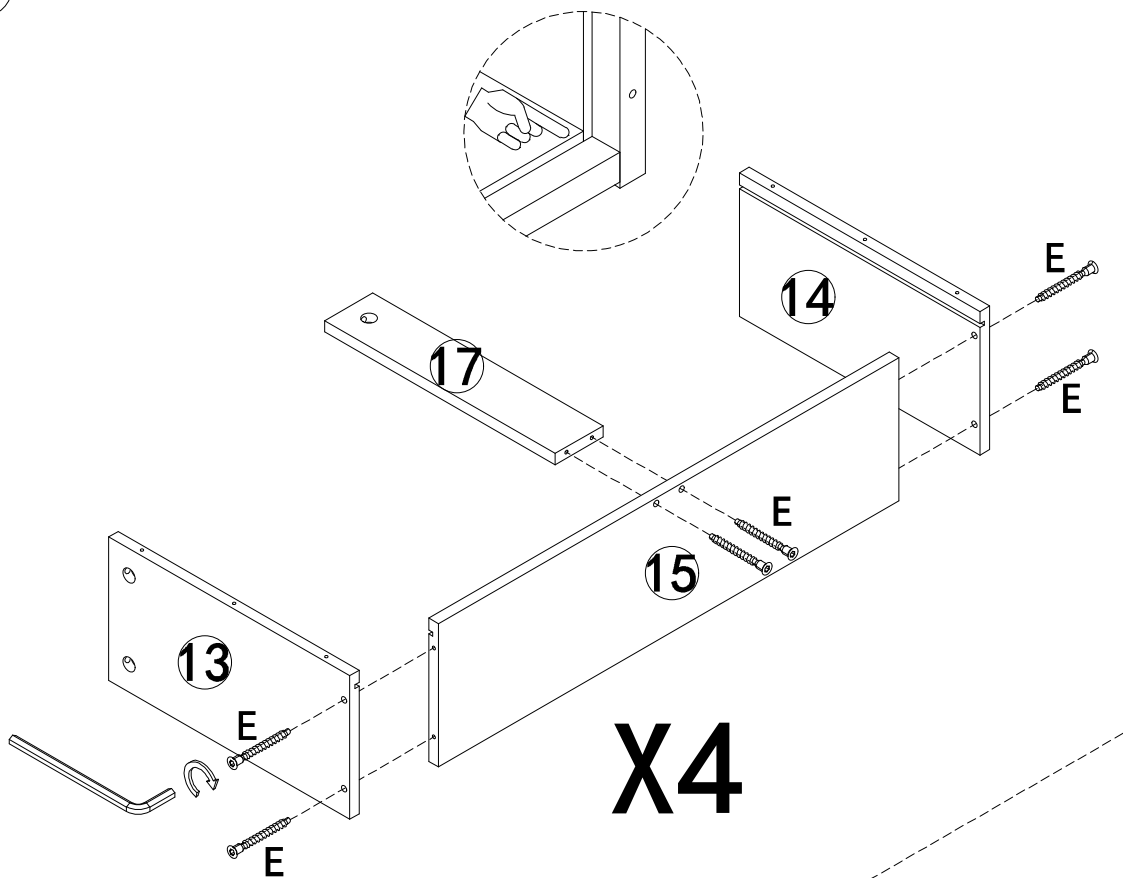
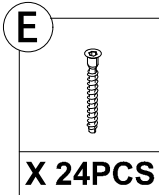
STEP 19



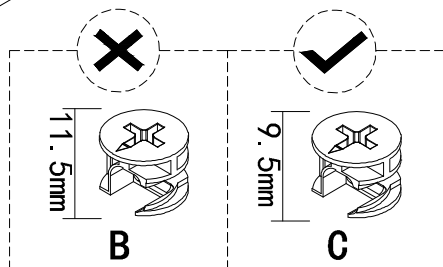
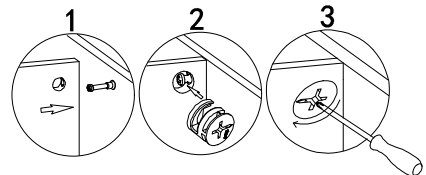
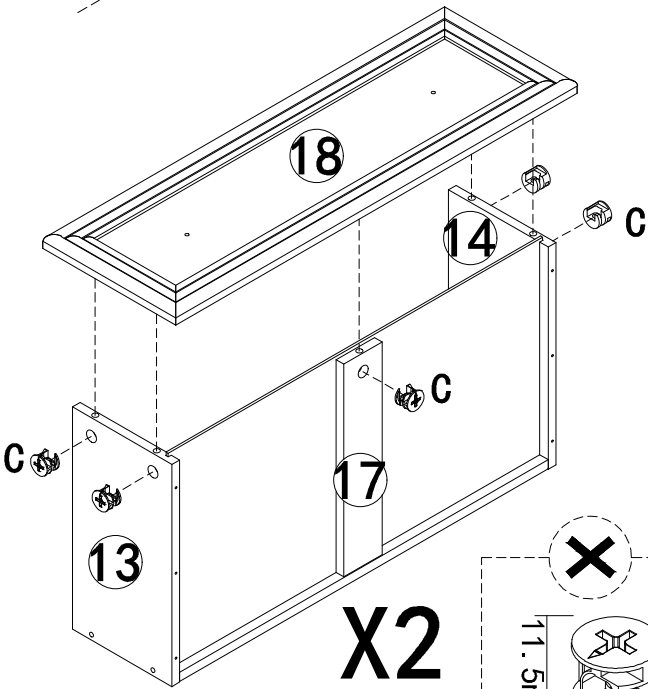
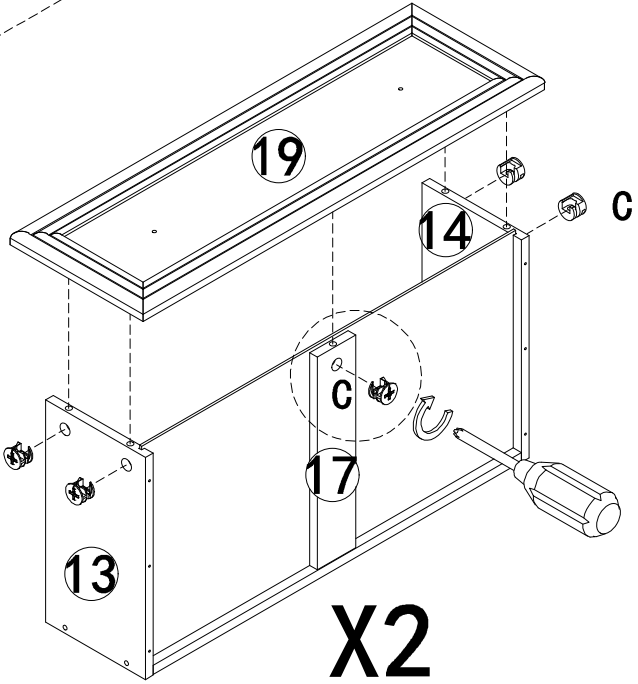
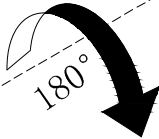
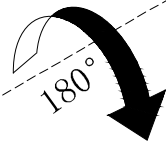
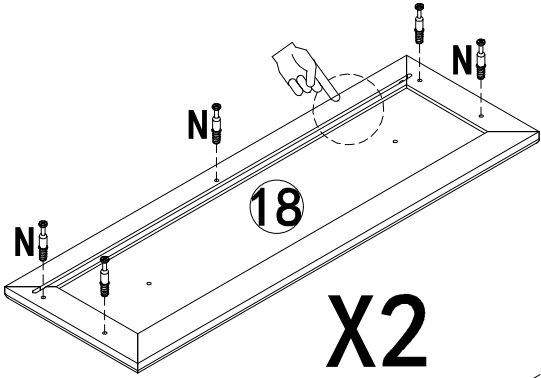
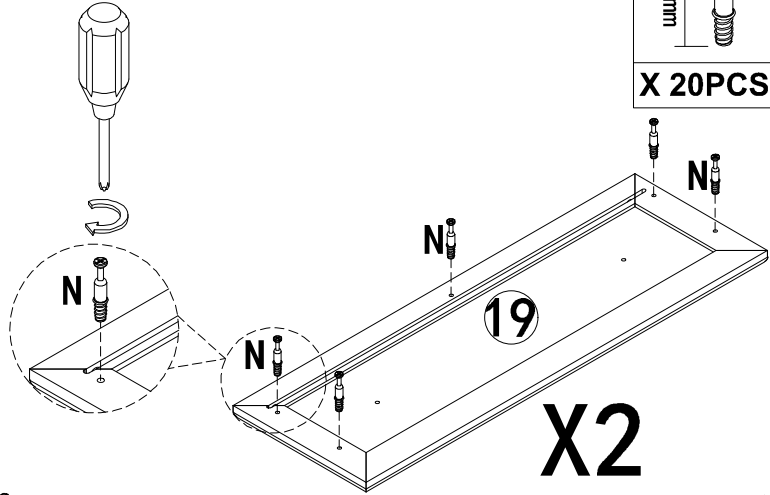
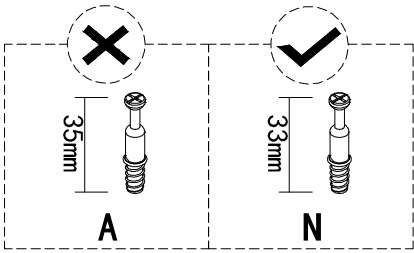
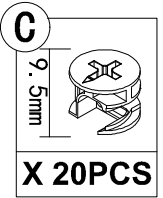
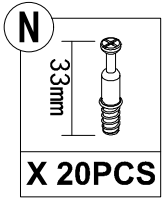
WALL



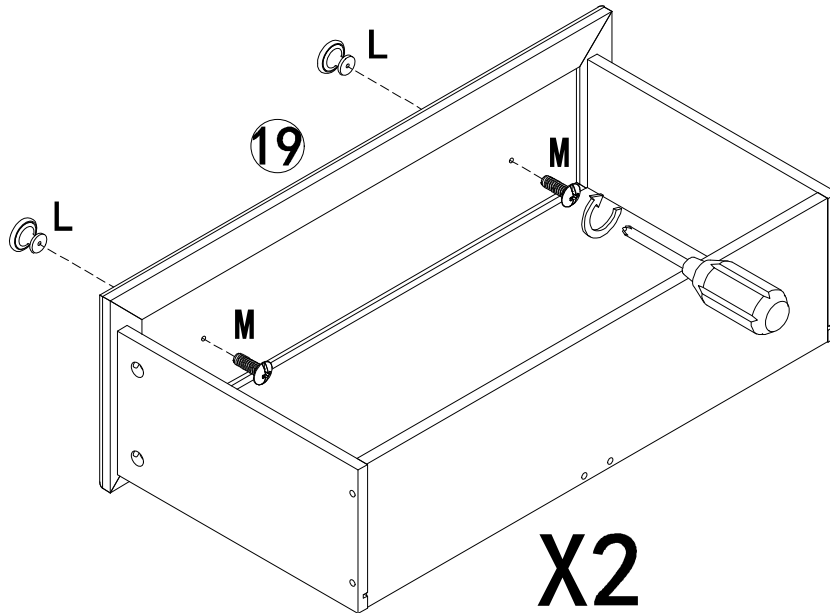
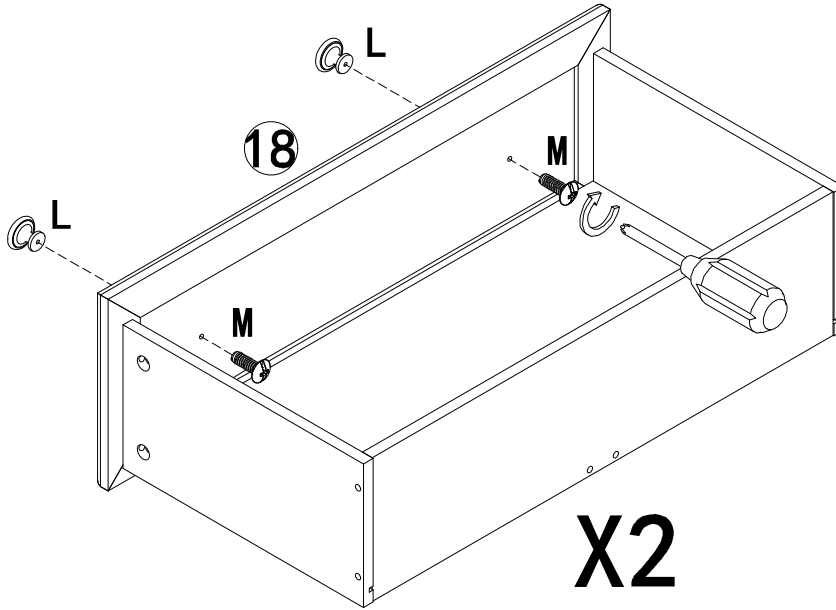
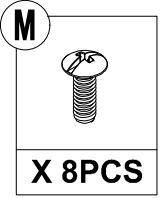
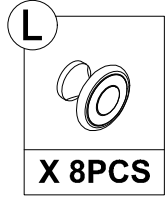
STEP 20



STEP 21




STEP 22

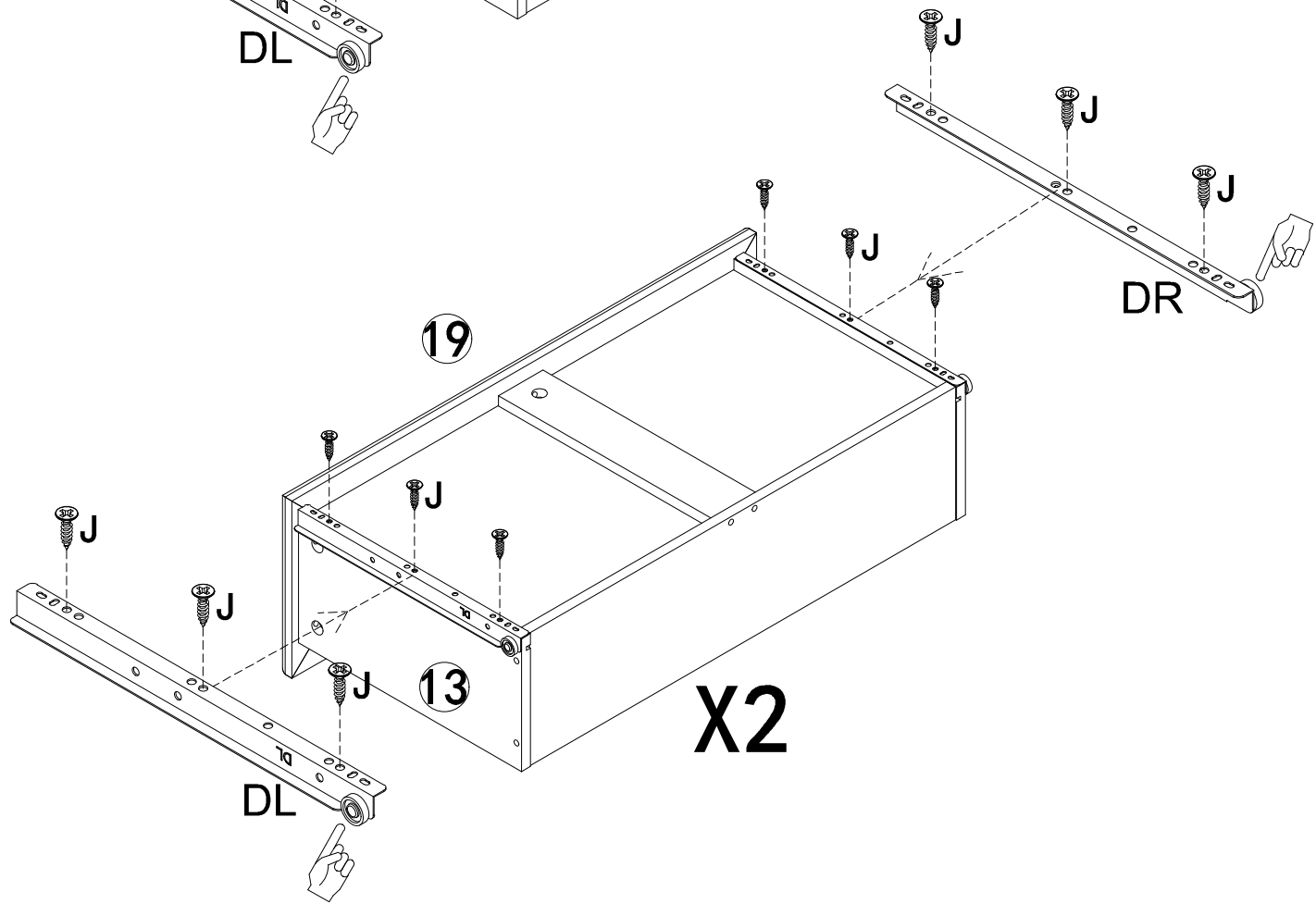
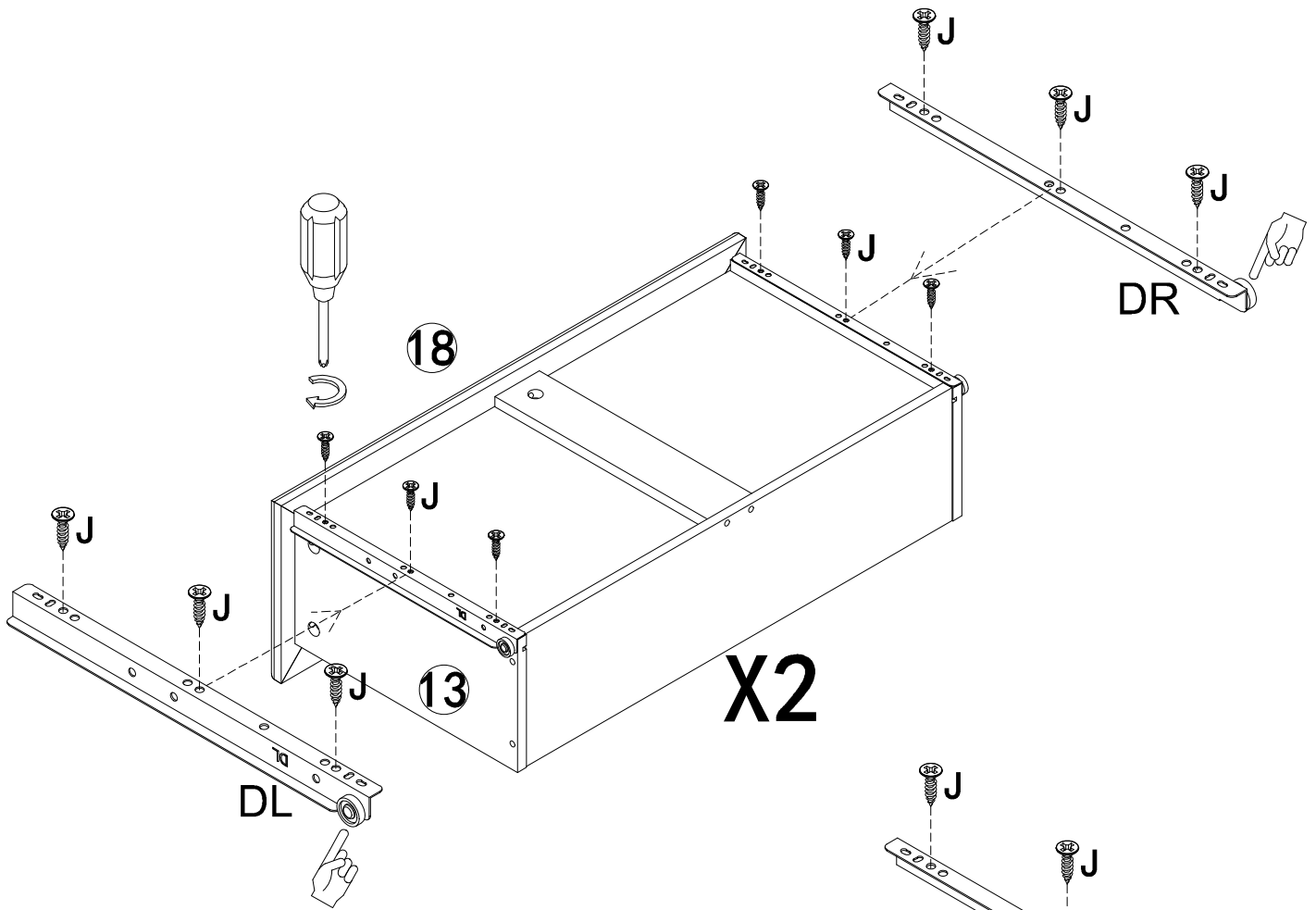


STEP 23

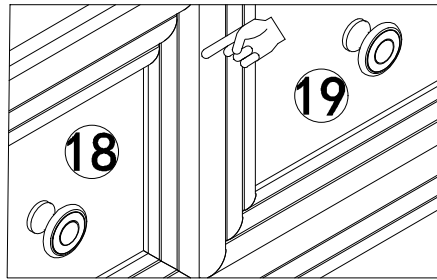
J



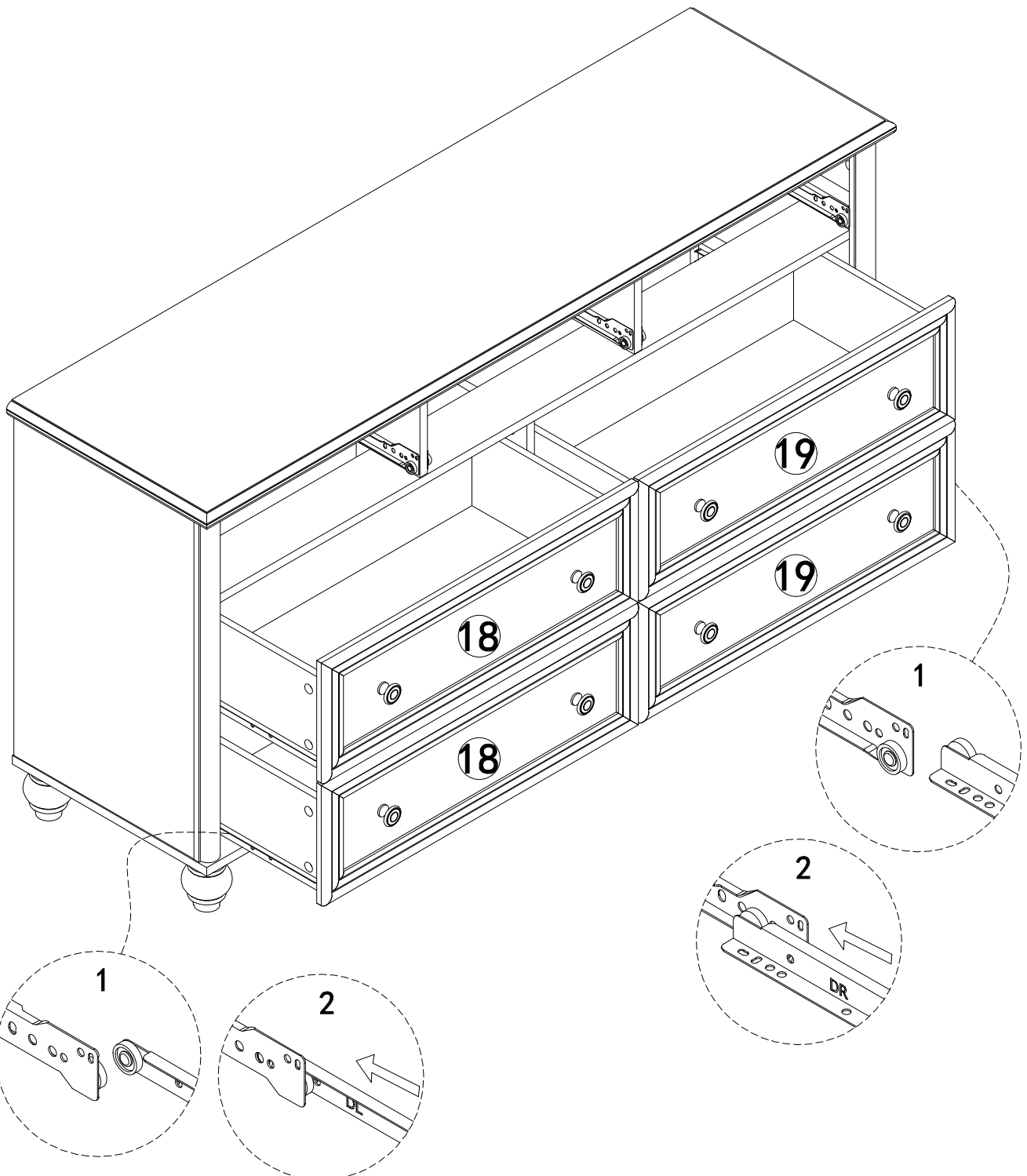
X 24PCS



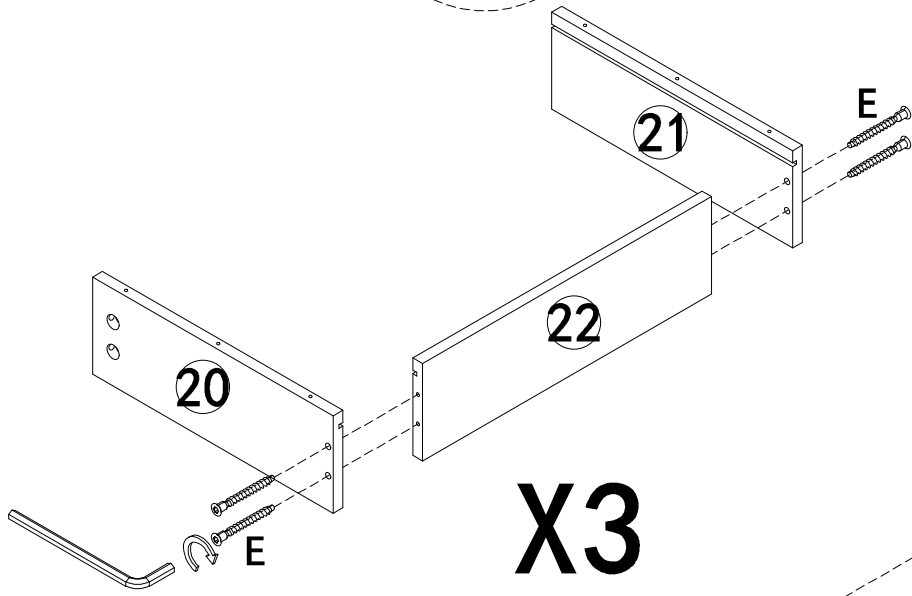
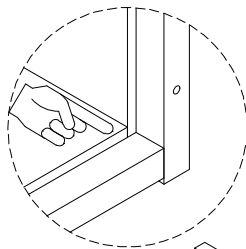
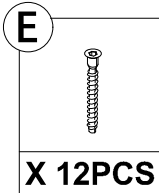
STEP 24



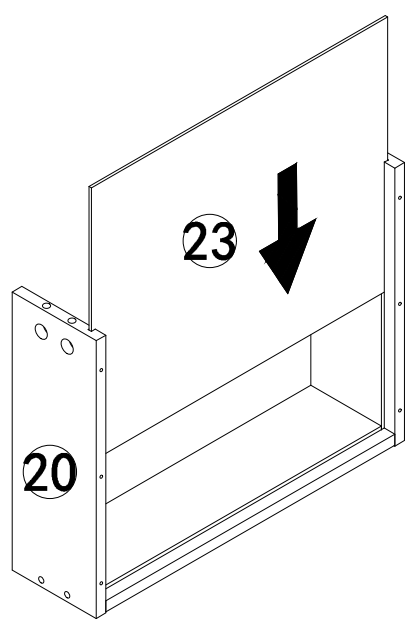
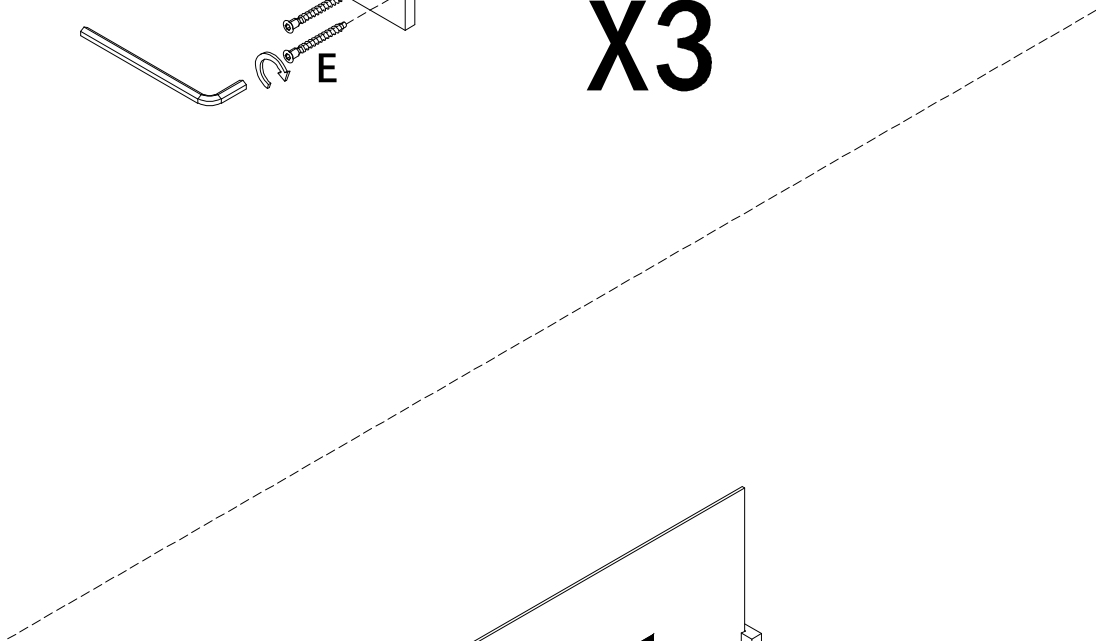
Note: Please insert the drawer into the corresponding position according to the number



STEP 25

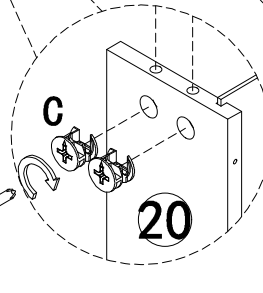
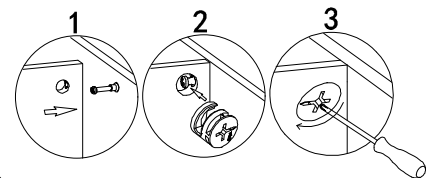
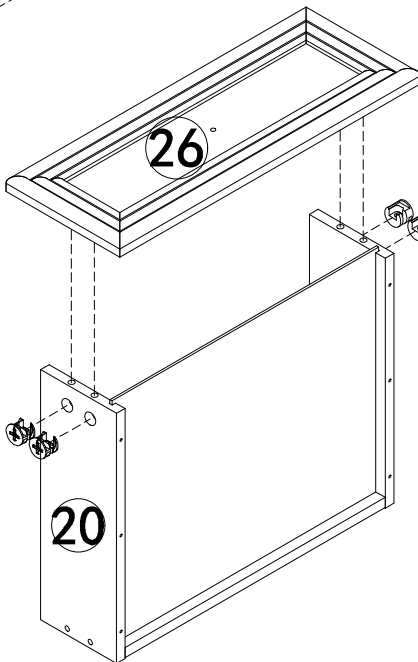
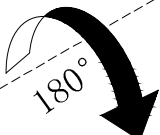
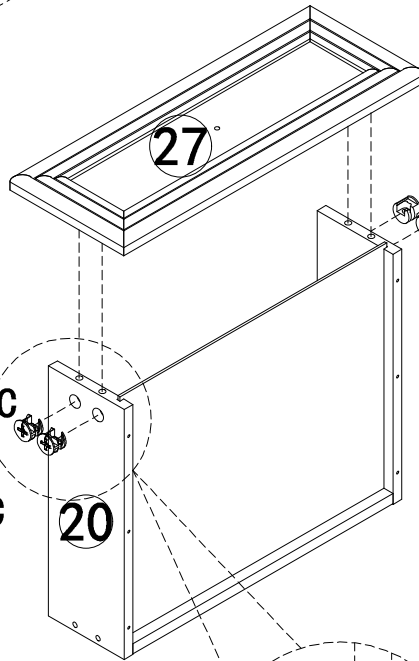
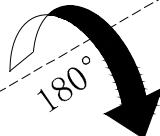
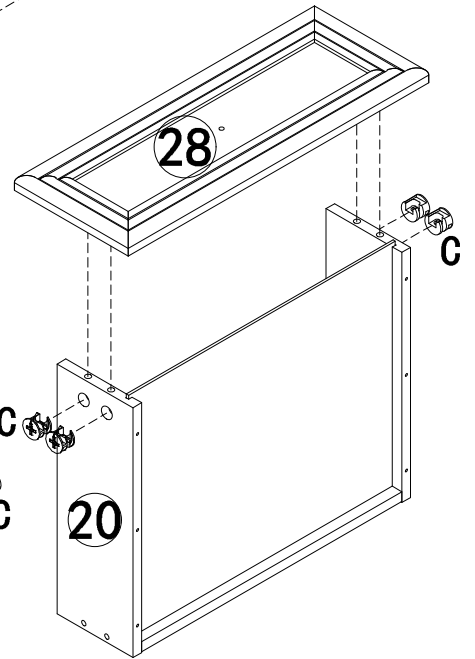
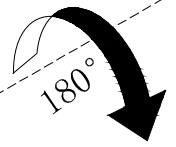
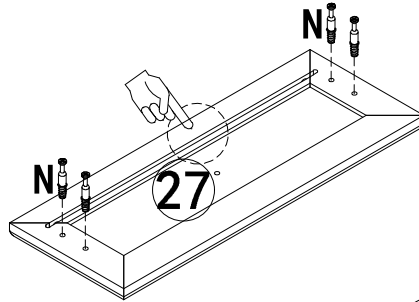
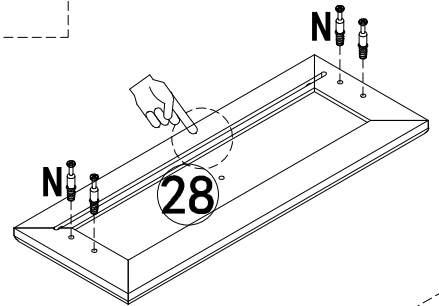
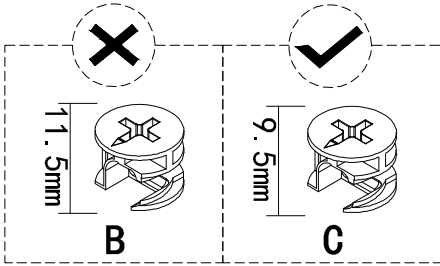
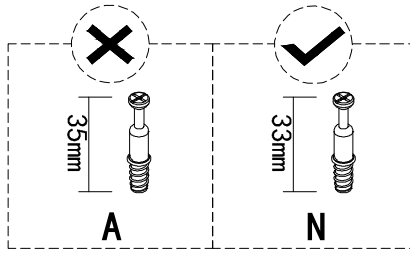
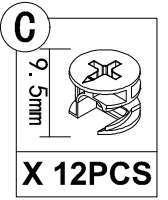
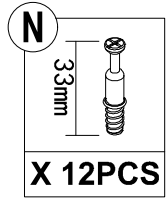


X3

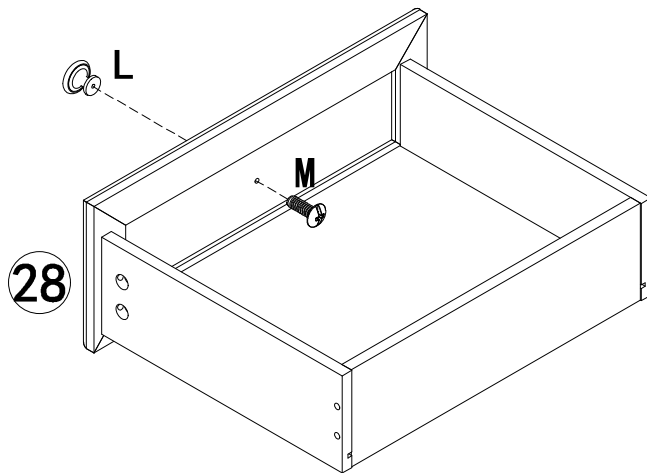
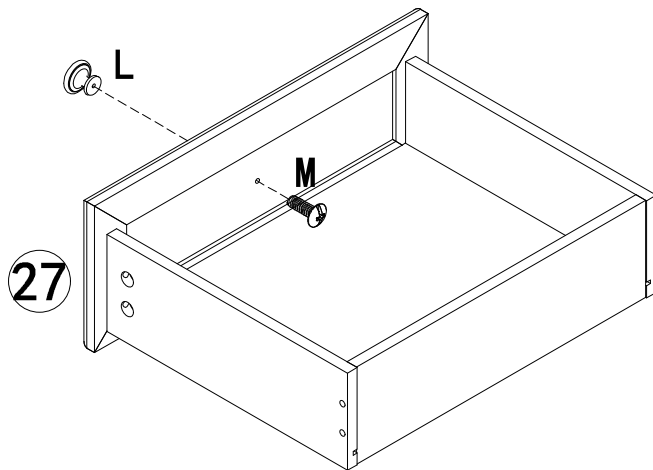
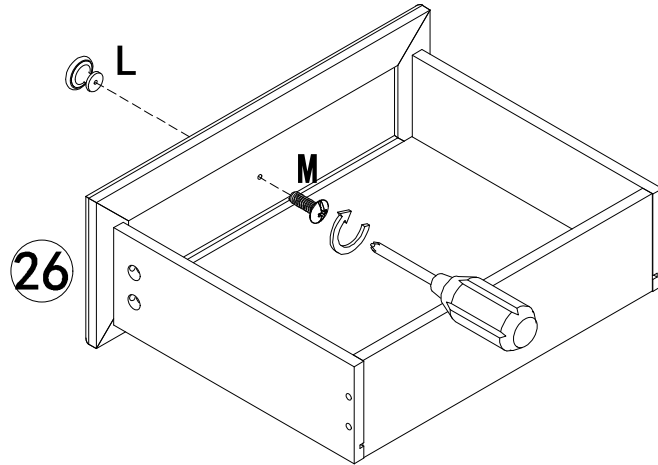
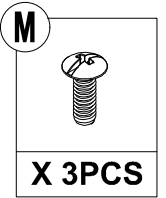
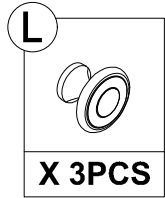


X3

STEP 26




STEP 27

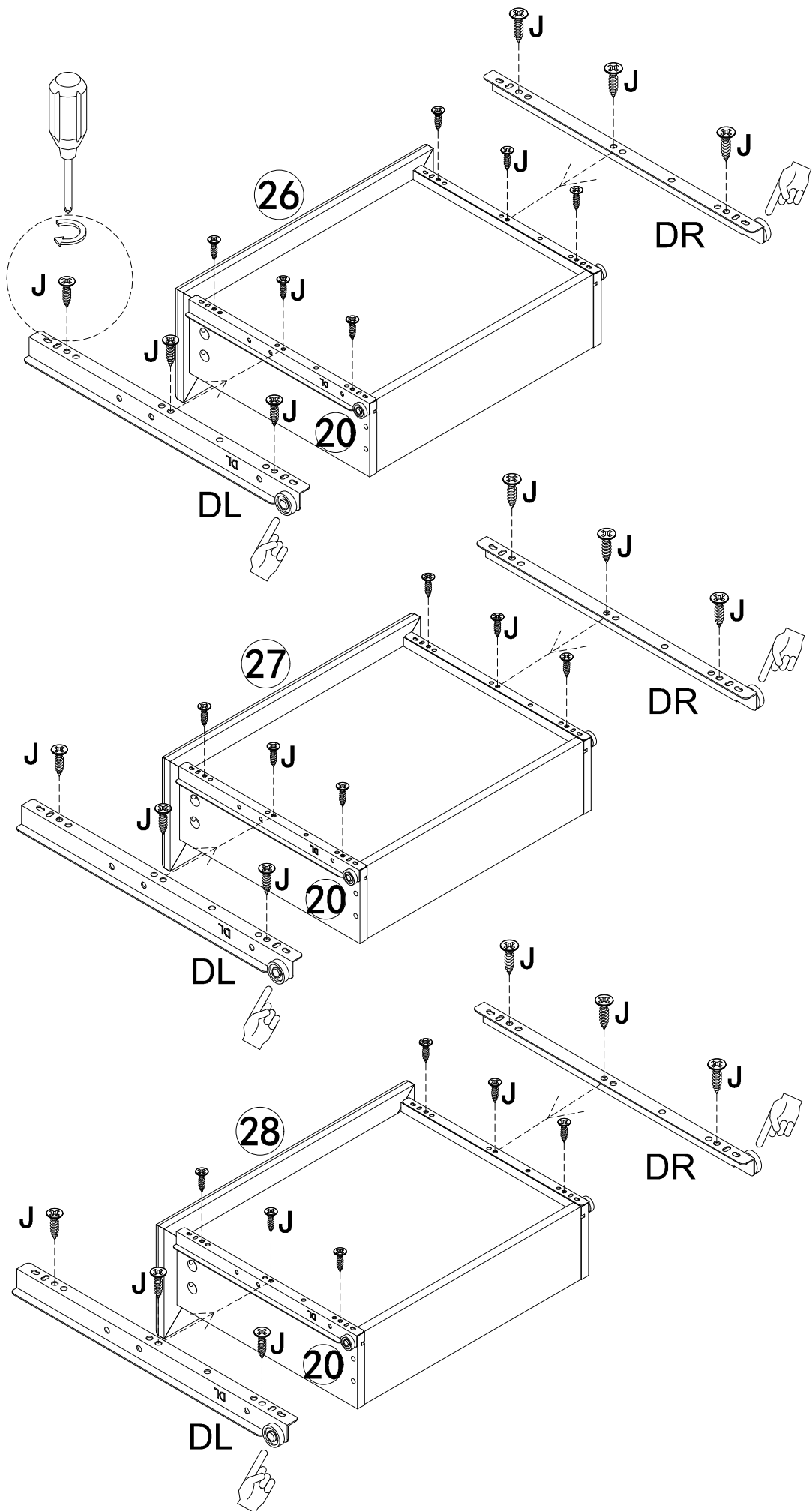


STEP 28

J



X 18PCS



STEP 29

Note: Please insert the drawer into the corresponding position according to the number

