

CARE AND MAINTENANCE

Spot clean using a mild water-free solvent. Only a professional cleaner should undertake a complete overall cleaning.

The use of steam or water-based cleaners may cause excessive shrinking or staining.

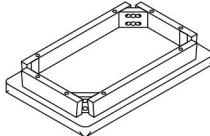
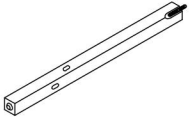
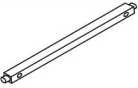






NOTICE

* Please make sure that you have all parts indicated before you begin assembly of this item

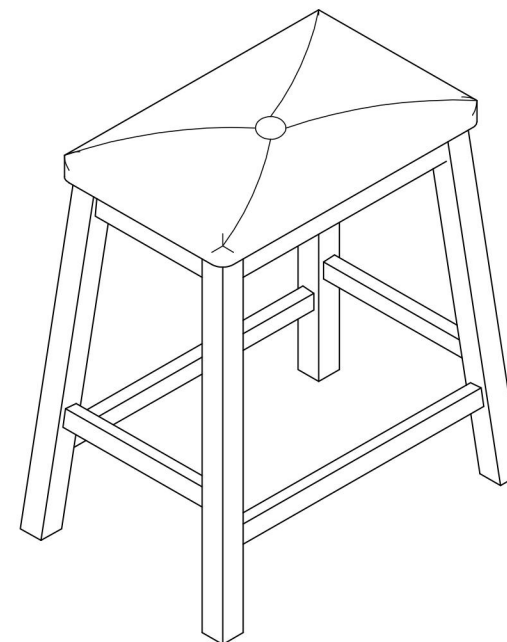
* This item should be assembled on a soft surface to prevent scratching the finish during assembly

* This item may require periodic tightening.

PART LIST AND HARDWARE LIST

PIECE	DESCRIPTION	PICTURE	QUANTITY
A	SEAT FRAME		1X
B	LEGS (R & L)		4X
C	LONG STRETCHER		2X
D	SHORT STRETCHER		2X
H1	NUT		8X
H2	SPRING WASHER		8X
H3	WASHER		8X
H4	SCREW	4*38 mm 	8X
H5	WRENCH		1X

Product Dimensions: 21-3/4"W x 19-3/4"D x 24"H



Weight capacity: 25lbs

WARNING: DO NOT STAND ON CHAIR

WARNING: DO NOT OVER TORQUE BOLTS

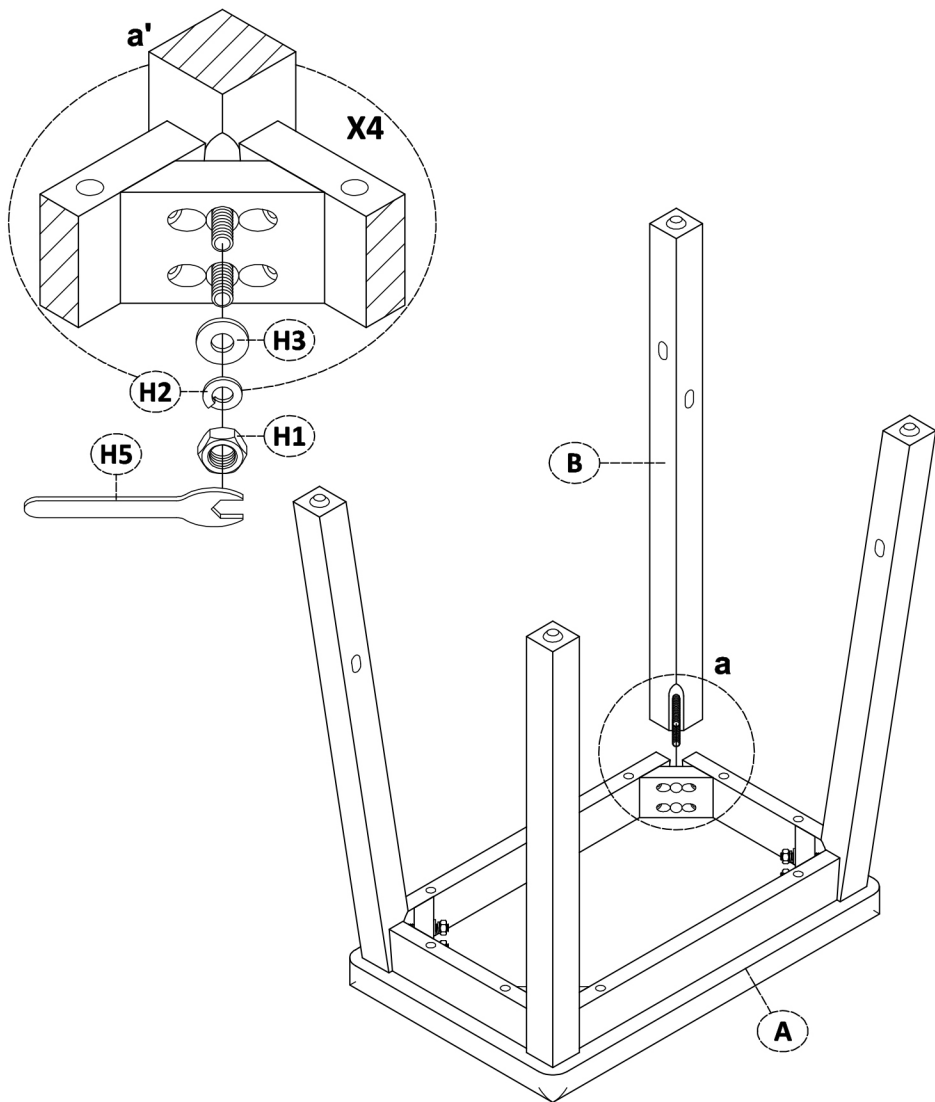
PREPARATION

Before beginning assembly of product, make sure all parts are present. Compare parts with package contents list and hardware contents list.

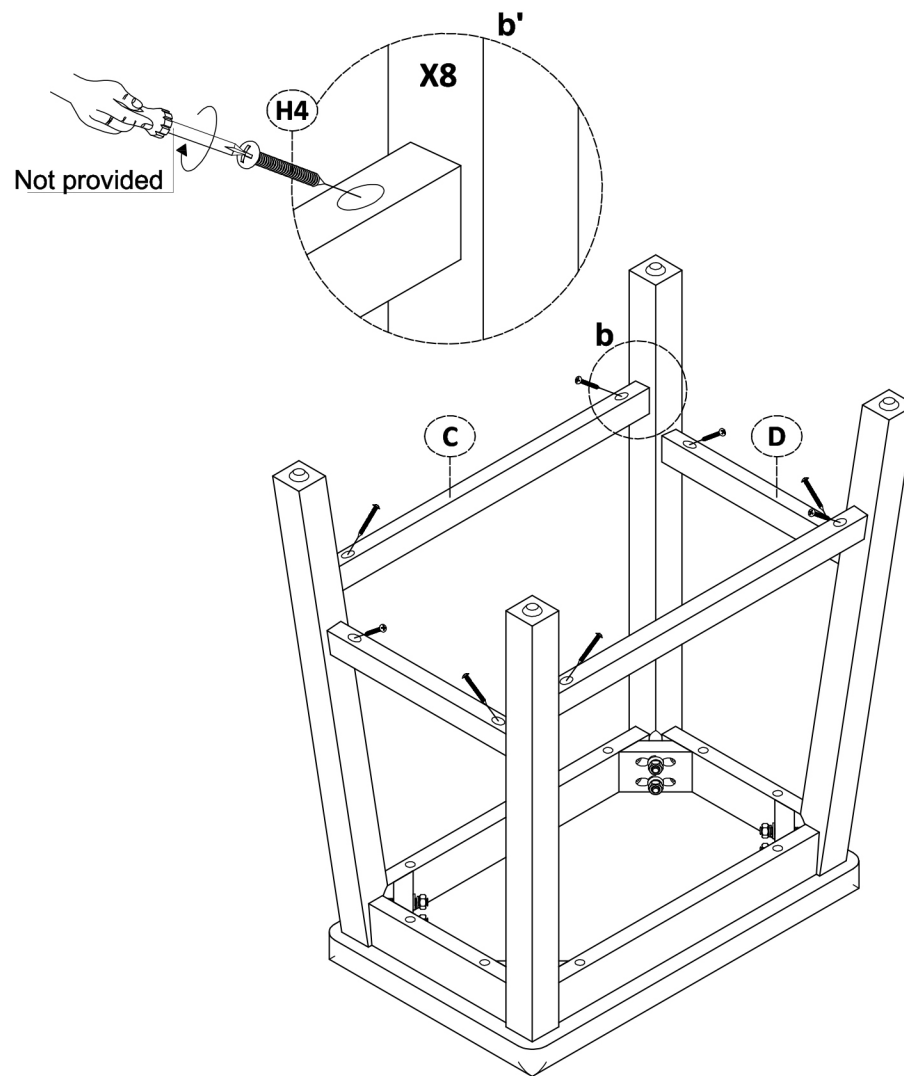
If any part is missing or damaged, do not attempt to assemble the product.

Estimated Assembly Time: 10 minutes.

Tools Required for Assembly (included): Allen Key



STEP 1



STEP 2

CARE AND MAINTENANCE

Spot clean using a mild water-free solvent. Only a professional cleaner should undertake a complete overall cleaning.

The use of steam or water-based cleaners may cause excessive shrinking or staining.

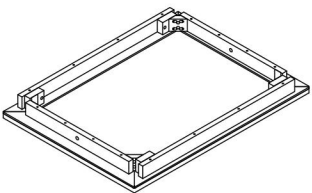
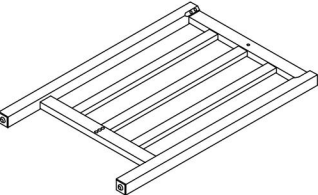
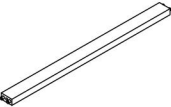







NOTICE

* Please make sure that you have all parts indicated before you begin assembly of this item

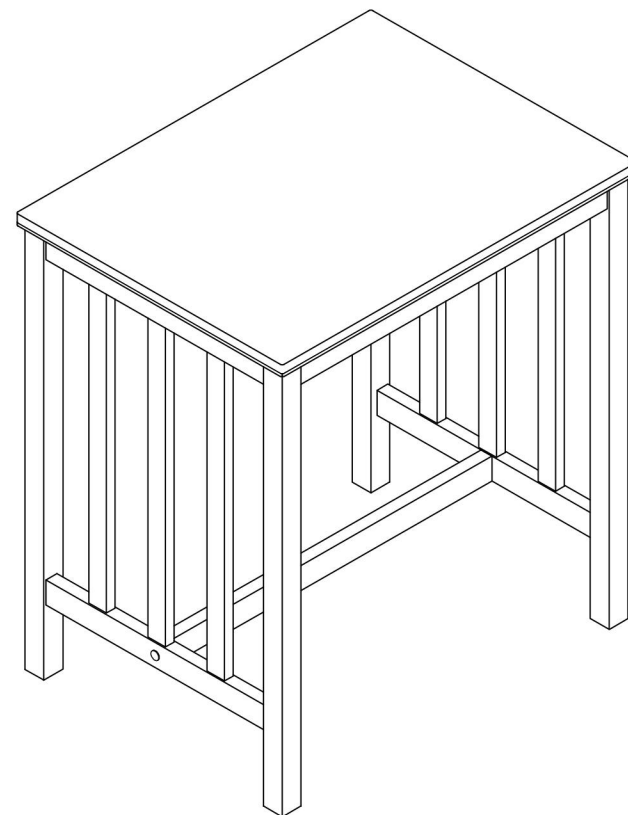
* This item should be assembled on a soft surface to prevent scratching the finish during assembly

* This item may require periodic tightening.

PART LIST AND HARDWARE LIST

PIECE	DESCRIPTION	PICTURE	QUANTITY
A	TABLE TOP		1X
B	LEGS FRAME		2X
C	STRETCHER		1X
H1	LONG BOLT	7.8*70 mm 	8X
H2	SHORT BOLT	7.8*35 mm 	4X
H3	SPRING WASHER	7.8*13 mm 	12X
H4	BIG WASHER	7.8*19 mm 	10X
H5	SMALL WASHER	7.8*16 mm 	2X
H6	ALLEN KEY		1X
H7	WOODEN PLUG	Ø18 mm 	2X

Product Dimensions: 32"W x 24"D x 36"H



Weight capacity: 25lbs
WARNING: DO NOT STAND ON TABLE
WARNING: DO NOT OVER TORQUE BOLTS

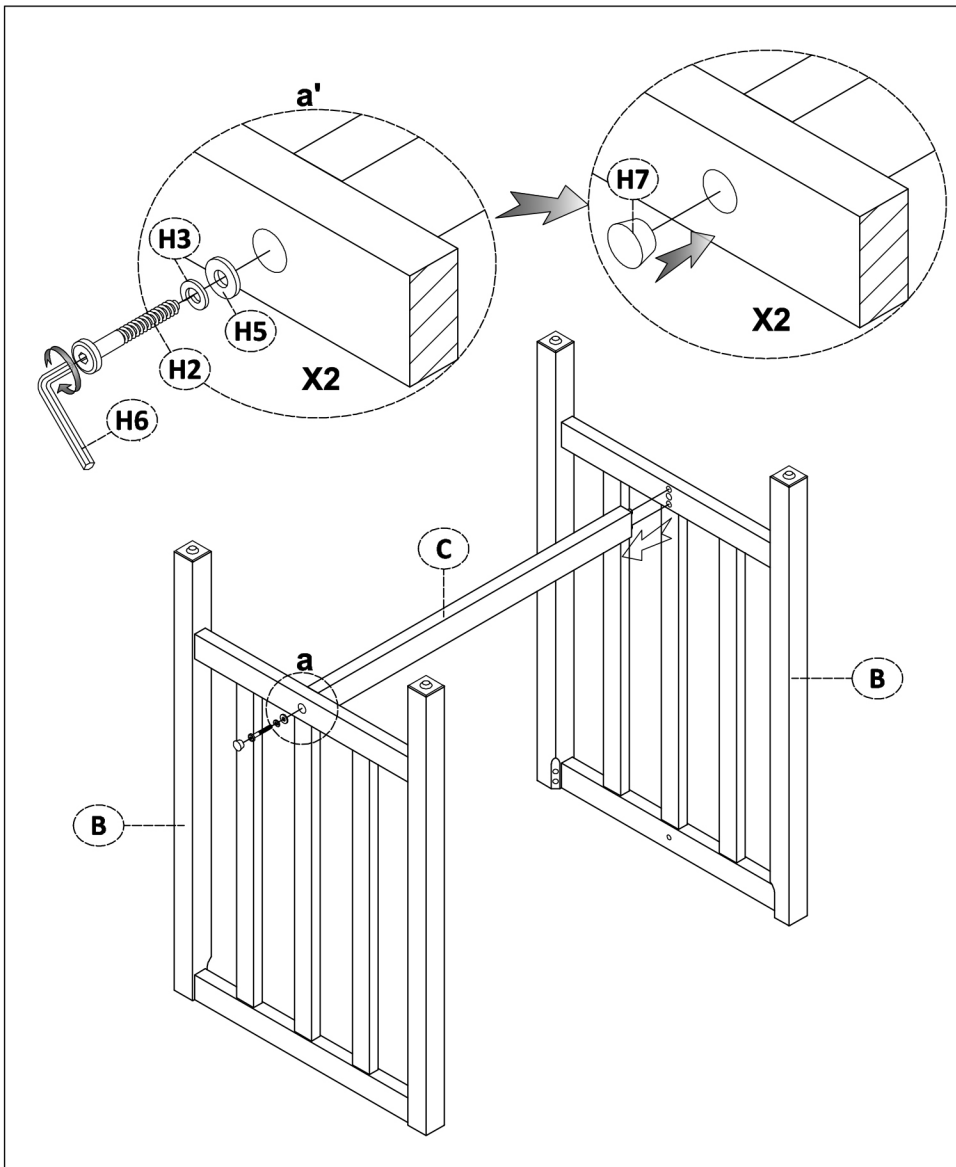
PREPARATION

Before beginning assembly of product, make sure all parts are present. Compare parts with package contents list and hardware contents list.

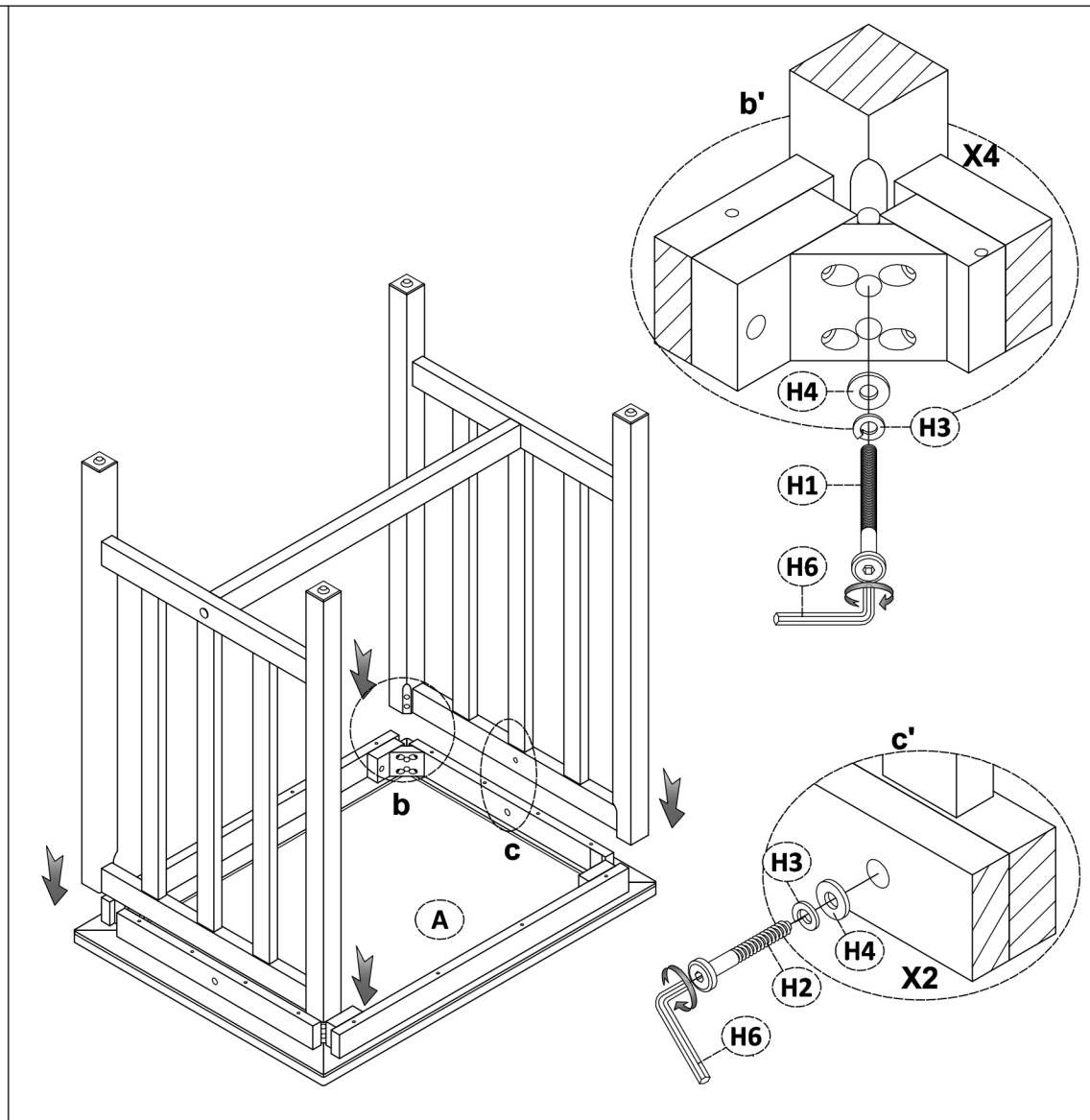
If any part is missing or damaged, do not attempt to assemble the product.

Estimated Assembly Time: 10 minutes.

Tools Required for Assembly (included): Allen Key



STEP 1



STEP 2