
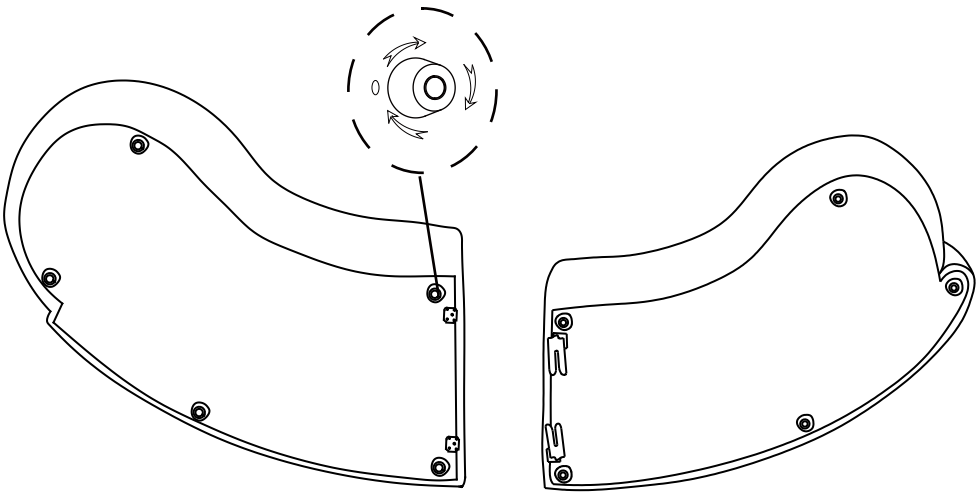


# Assembly Instruction

	Parts supplied	Graphic	Qty		Hardware supplied	Graphic	Qty
Ⓐ	side leg		10				

Step 1



Step 2

