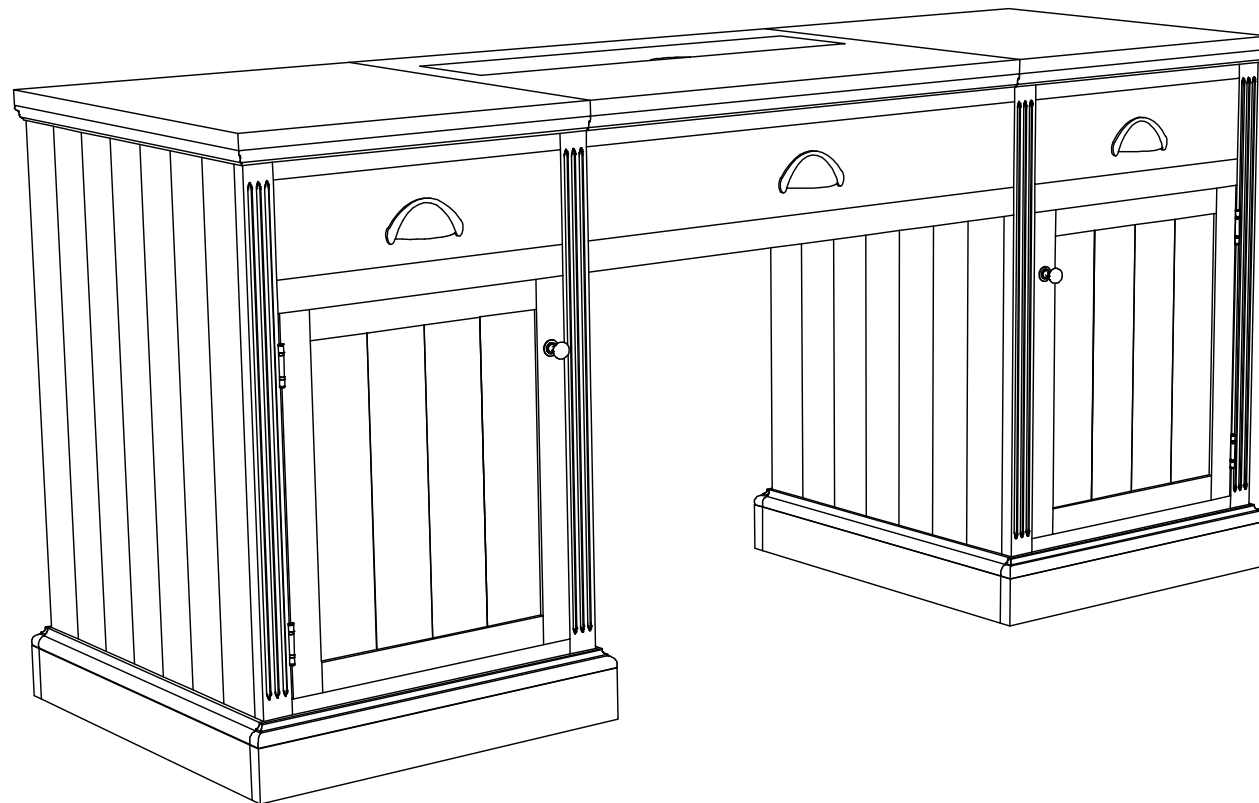


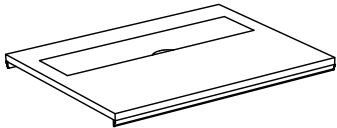
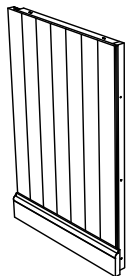
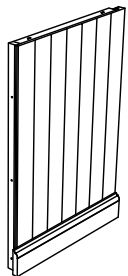
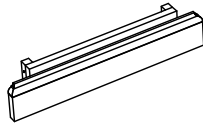
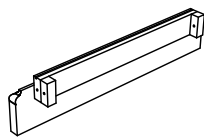
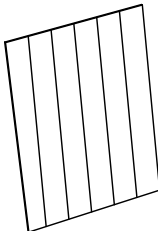
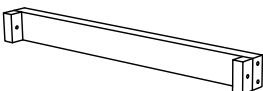
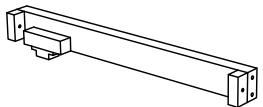
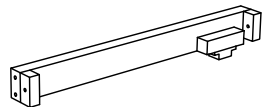
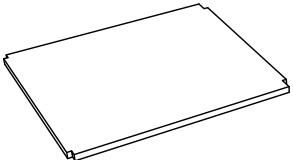
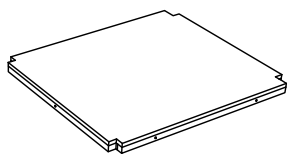
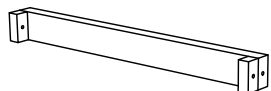
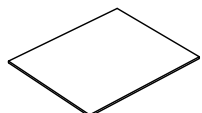
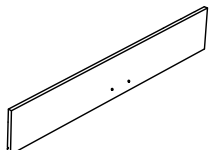
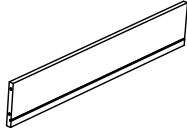
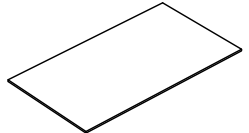
ASSEMBLY INSTRUCTION

N751P415498

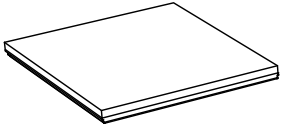
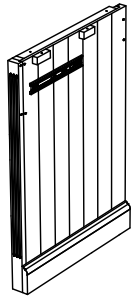
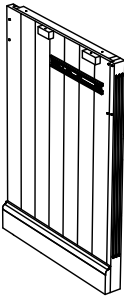
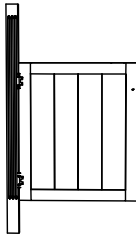
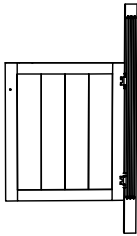
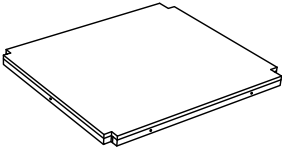
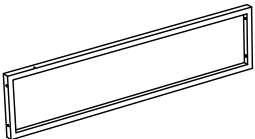
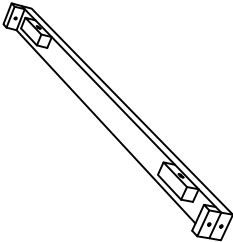
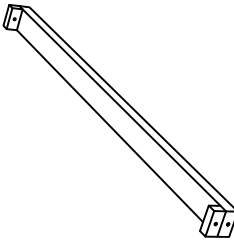
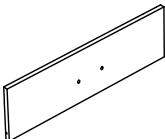
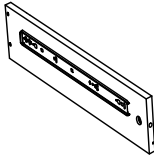
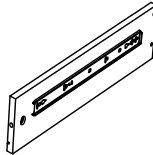
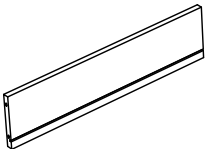
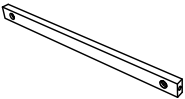
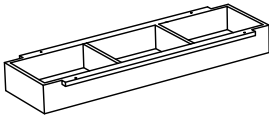
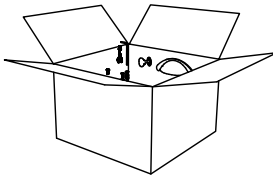
N751P415500



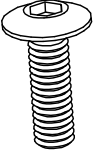
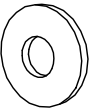





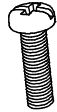
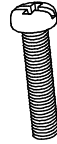


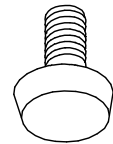
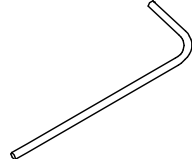
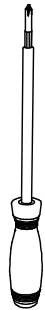
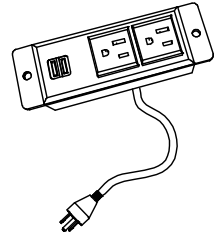
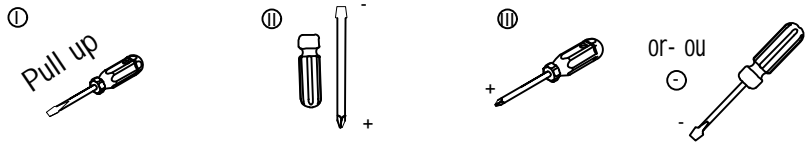
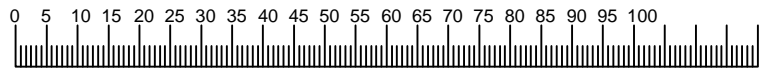
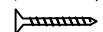
PARTS LIST - N751P415498

<p>2</p>  <p>Center table top 1 pc</p>	<p>3</p>  <p>Left outer hip cluster 1 pc</p>	<p>6</p>  <p>Right outer hip cluster 1 pc</p>	<p>9</p>  <p>Front lower crossbar 2 pcs</p>	<p>10</p>  <p>Bottom bar behind 2 pcs</p>	<p>11</p>  <p>Back plate 2 pcs</p>
<p>12</p>  <p>Front upper bar 2 pcs</p>	<p>13</p>  <p>Front middle bar left 1 pc</p>	<p>14</p>  <p>Front middle bar right 1 pc</p>	<p>15</p>  <p>Middle plate 2 pcs</p>	<p>16</p>  <p>Bottom plate 1 pc</p>	<p>17</p>  <p>Rear top bar 2 pcs</p>
<p>25</p>  <p>Drawer bottom plate 2 pcs</p>	<p>26</p>  <p>Middle drawer face 1 pc</p>	<p>27</p>  <p>Middle drawer back 1 pc</p>	<p>29</p>  <p>Middle drawer bottom plate 1 pc</p>		

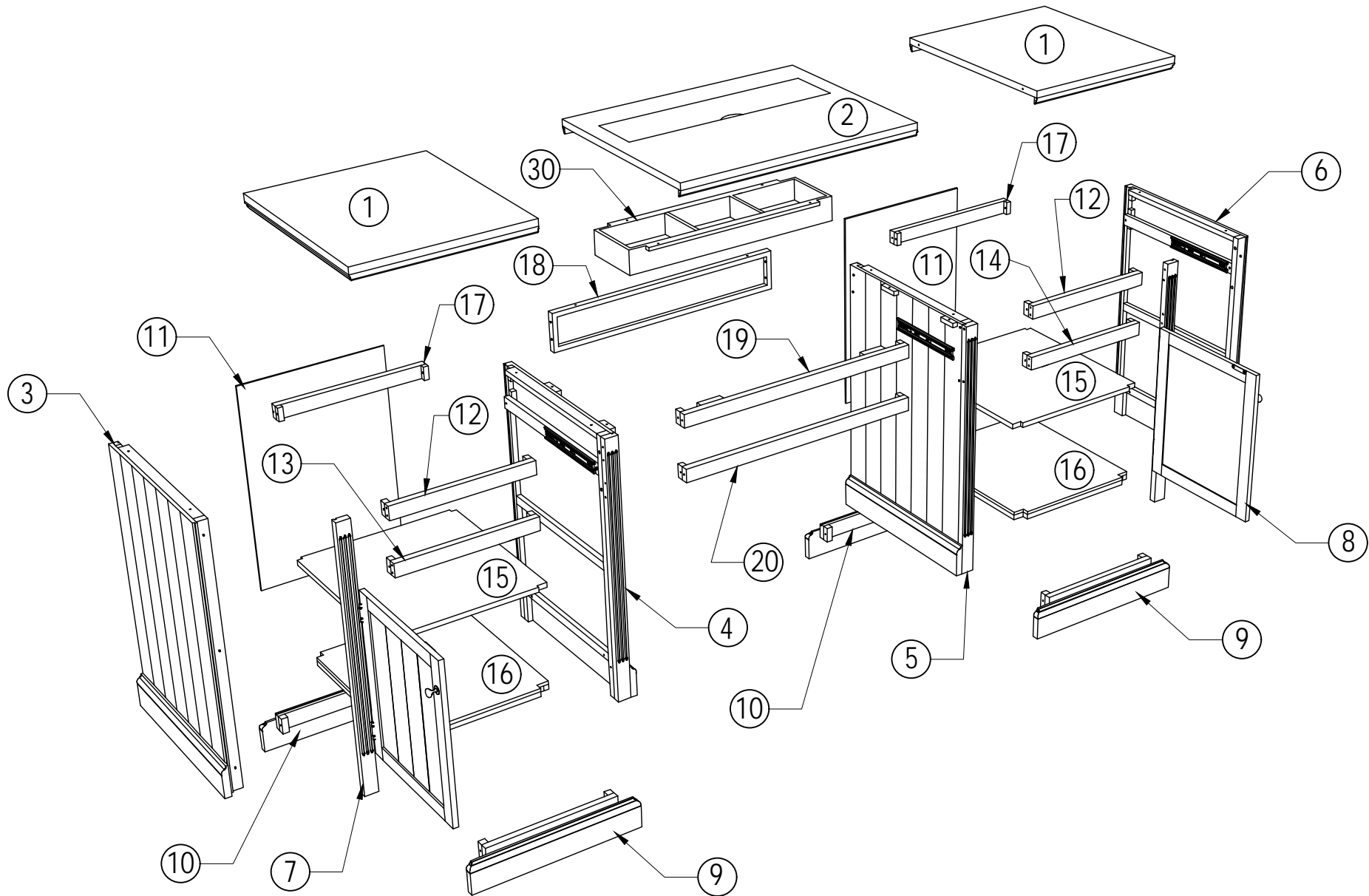
PARTS LIST - N751P415500

<p>1</p>  <p>Left and right table top 2 pcs</p>	<p>4</p>  <p>Left inner hip cluster 1 pc</p>	<p>5</p>  <p>Right inner hip cluster 1 pc</p>	<p>7</p>  <p>Left door cluster 1 pc</p>	<p>8</p>  <p>Right door cluster 1 pc</p>	<p>16</p>  <p>Bottom plate 1 pc</p>
<p>18</p>  <p>Middle posterior cluster 1 pc</p>	<p>19</p>  <p>Front middle upper strut 1 pc</p>	<p>20</p>  <p>Front lower center strut 1 pc</p>	<p>21</p>  <p>Drawer face 2 pcs</p>	<p>22</p>  <p>Left side drawer panel 3 pcs</p>	<p>23</p>  <p>Right side drawer panel 3 pcs</p>
<p>24</p>  <p>Drawer back 2 pcs</p>	<p>28</p>  <p>Drawer bottom support 1 pc</p>	<p>30</p>  <p>Socket mounting box 1 pc</p>	 <p>HARDWARE</p>		

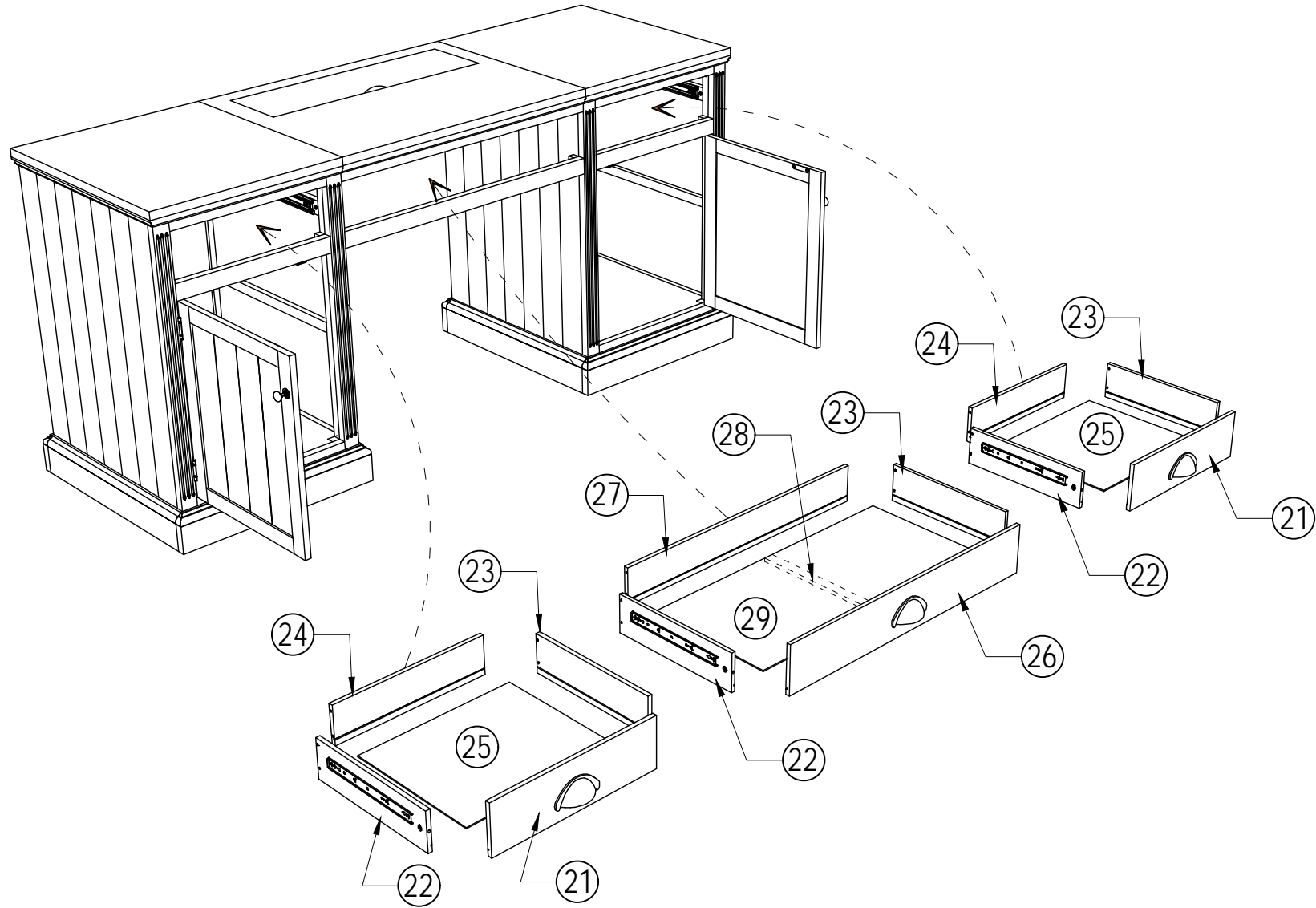
HARDWARE LIST

<p>A</p>  <p>6x30mm Bolt (64 pcs)</p>	<p>B</p>  <p>6x16mm Washer (56 pcs)</p>	<p>C</p>  <p>8x30mm Dowel (36 pcs)</p>	<p>D</p>  <p>4x25mm Screw (20 pcs)</p>	<p>E</p>  <p>3x10mm Screw (2 pcs)</p>	<p>F</p>  <p>Cam lock pin (8 pcs)</p>	<p>G</p>  <p>Cam lock (8 pcs)</p>
<p>H</p>  <p>4x15mm Bolt (6 pcs)</p>	<p>I</p>  <p>4x25mm Bolt (2 pcs)</p>	<p>J</p>  <p>Handle (2 pcs)</p>	<p>K</p>  <p>Clam shell handle (3 pcs)</p>	<p>L</p>  <p>Height adjuster (8 pcs)</p>	<p>M</p>  <p>Allen key (1 pc)</p>	<p>N</p>  <p>Screwdrivers (1 pc)</p>
<p>O</p>  <p>Power outlet (1pc)</p>	<p>Tool required</p>  <p>Screwdrivers can be converted to philips and Slotted</p> <p>Ruler - Use this ruler to help correctly identify the screws</p>  <p>The crews length is measured from the head to th point (35mm screw shown)</p> 					

COMPONENTS - KEY DIAGRAM

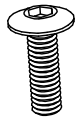


COMPONENTS - KEY DIAGRAM



STEP 1

A



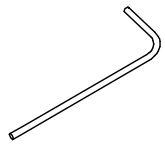
6x30mm
3 pcs

B

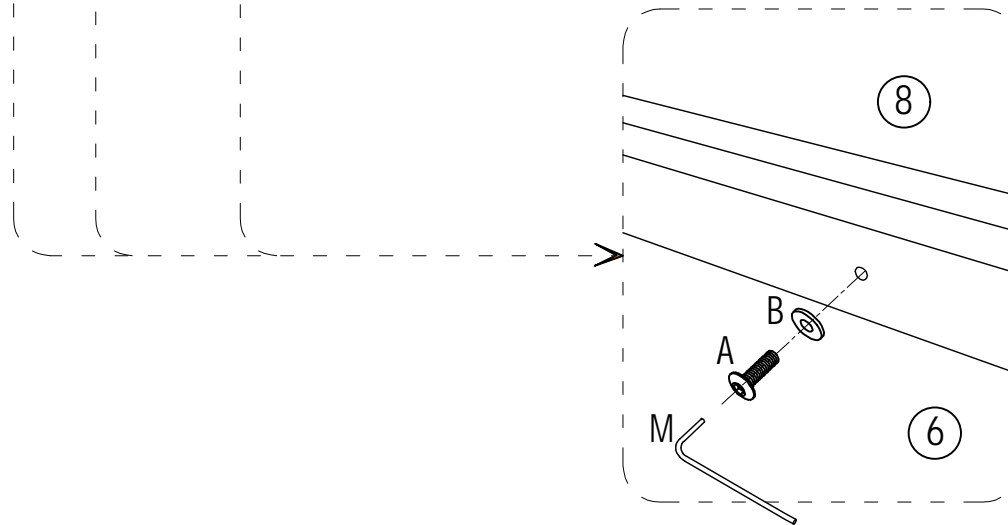
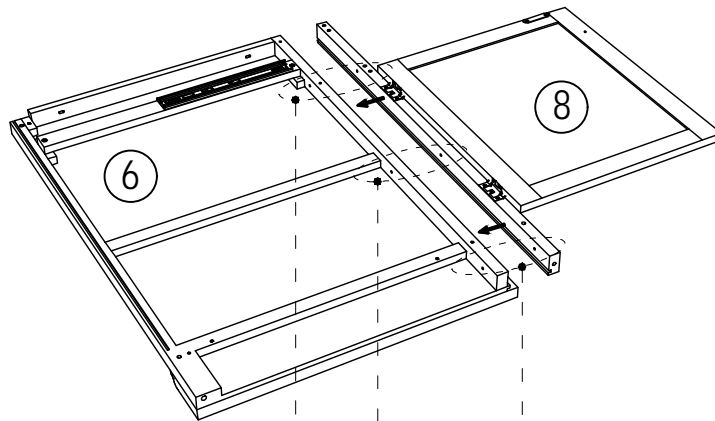


6x16mm
3 pcs

M

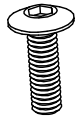


1 pc



STEP 2

(A)



6x30mm
3 pcs

(B)



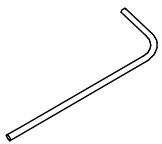
6x16mm
2 pcs

(C)

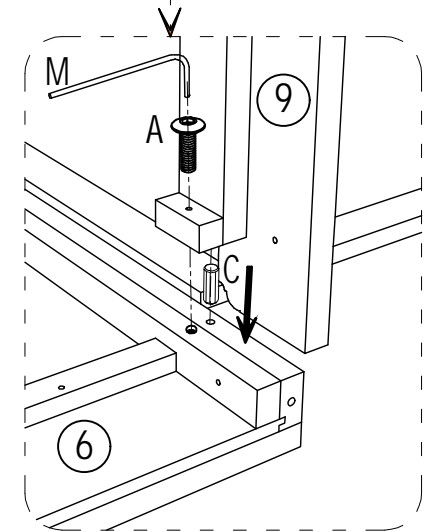
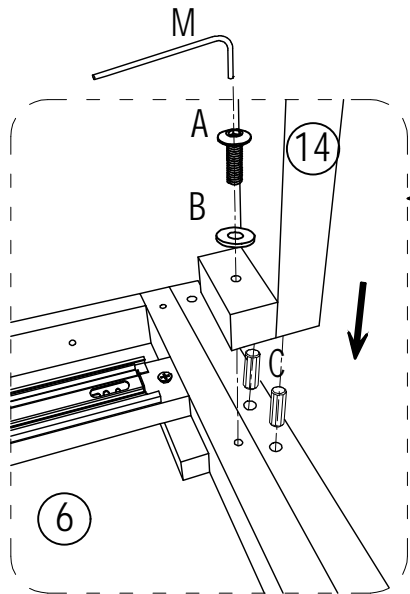
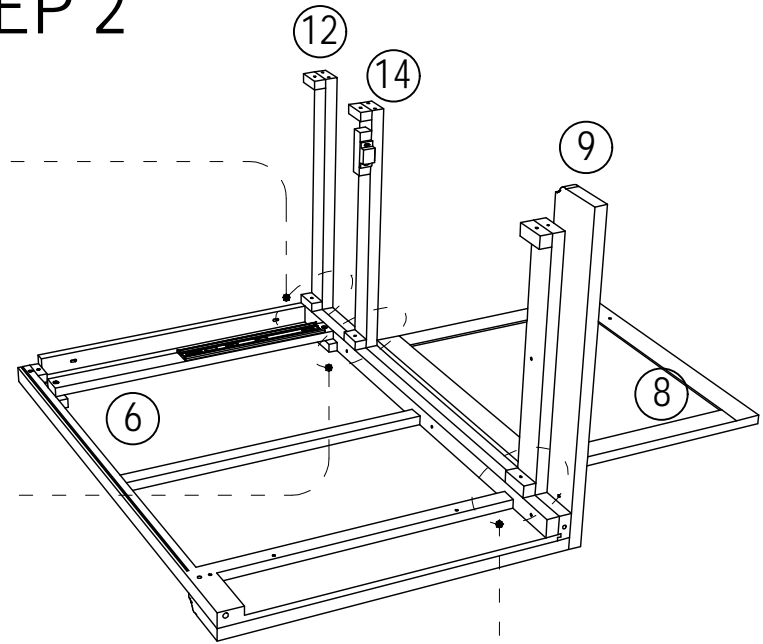
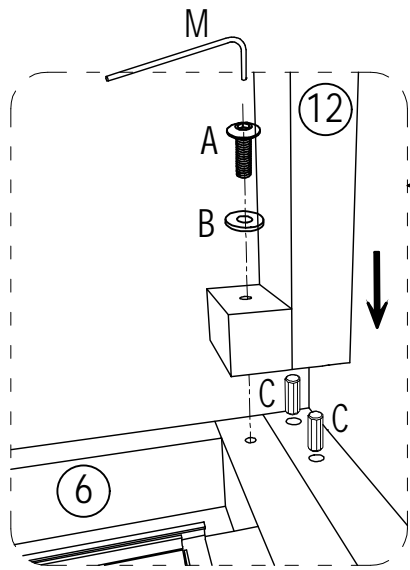


8x30mm
5 pcs

(M)

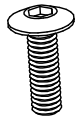


1 pc



STEP 3

(A)



6x30mm
2 pcs

(B)



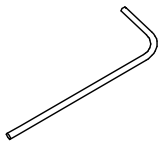
6x16mm
1 pc

(C)

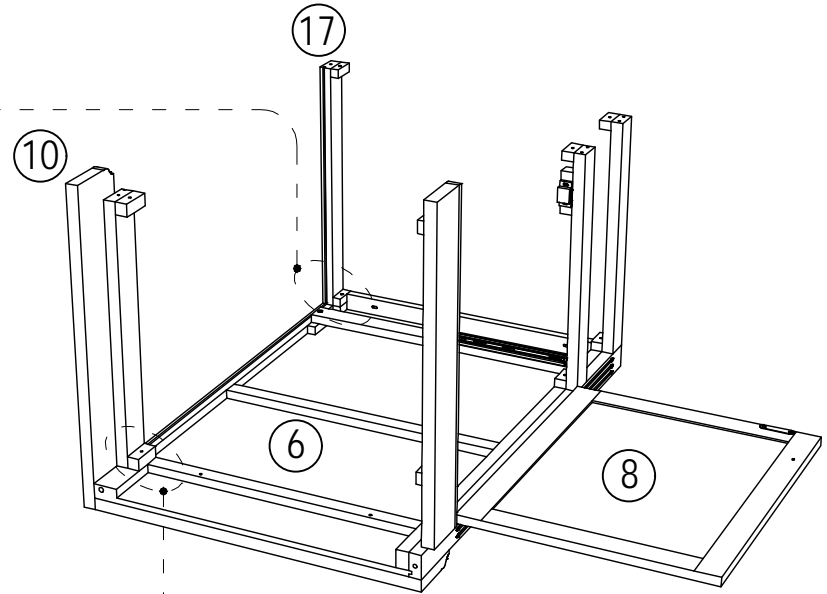
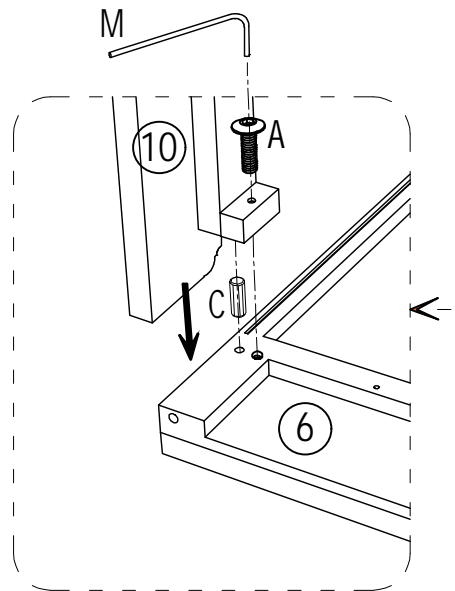
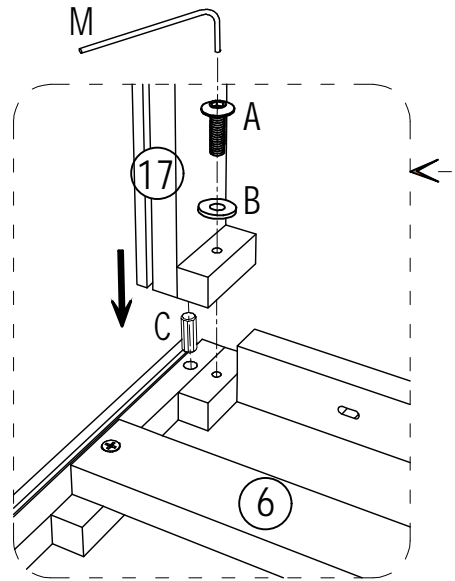


8x30mm
2 pcs

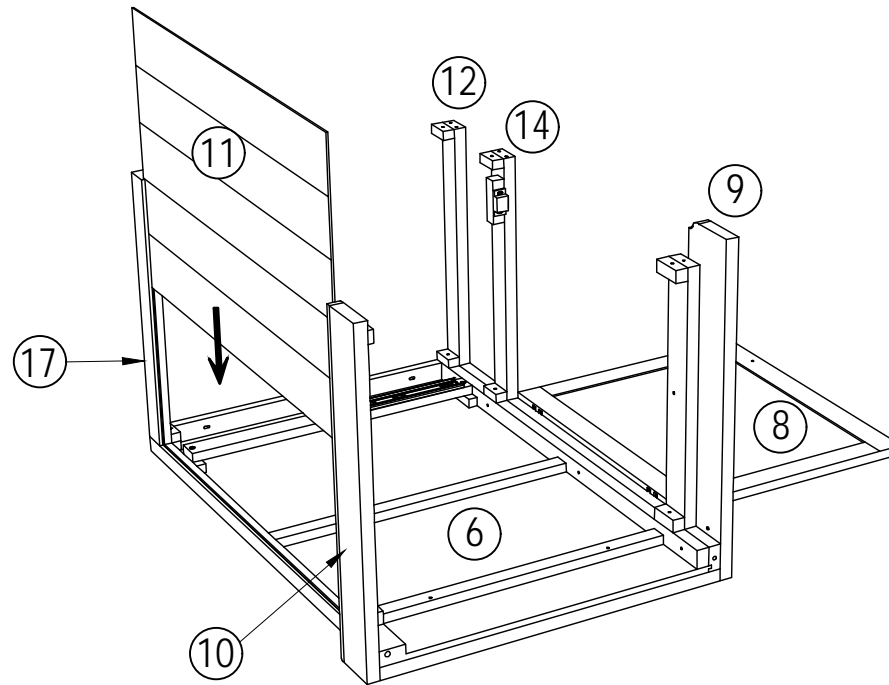
(M)



1 pc

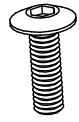


STEP 4



STEP 5

(A)



6x30mm
2 pcs

(B)



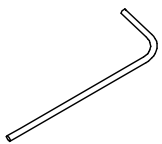
6x16mm
1 pc

(C)

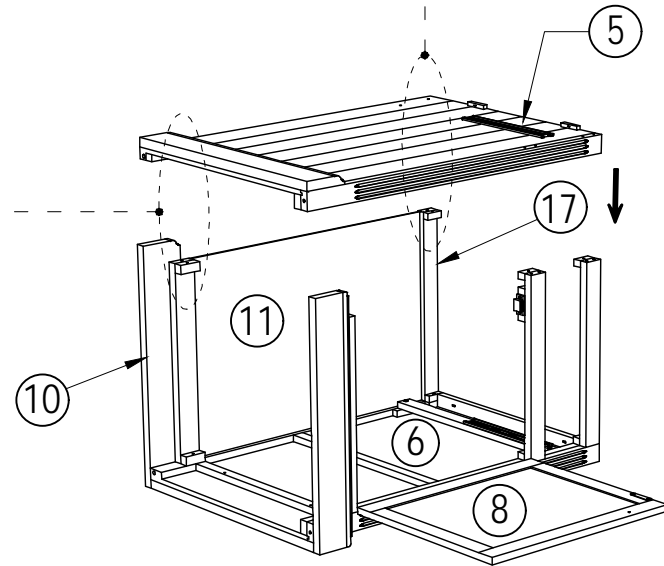
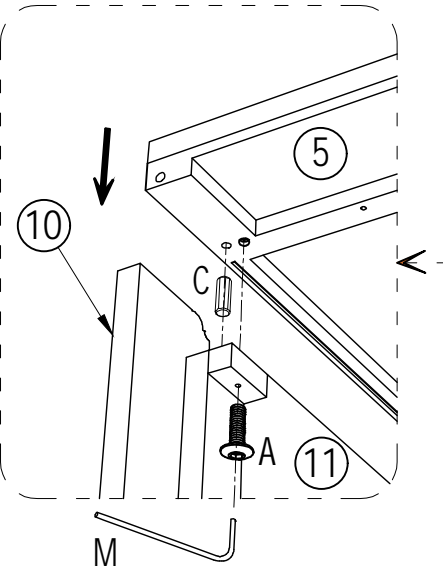
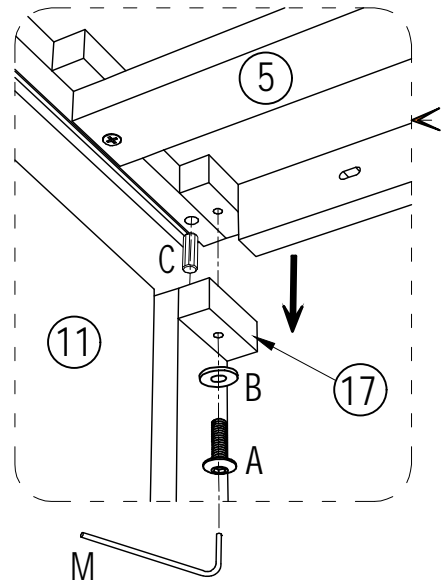


8x30mm
2 pcs

(M)

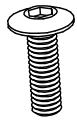


1 pc



STEP 6

(A)



6x30mm
3 pcs

(B)



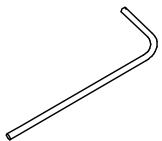
6x16mm
2 pcs

(C)

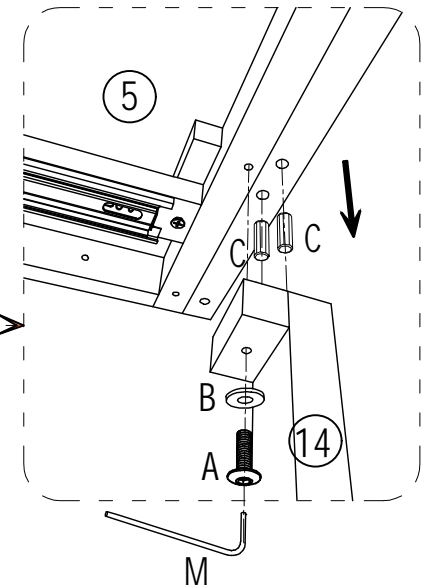
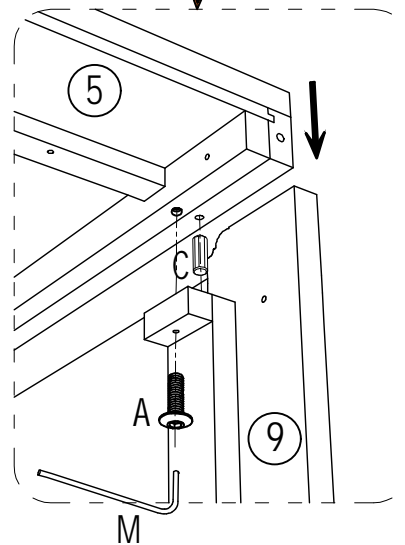
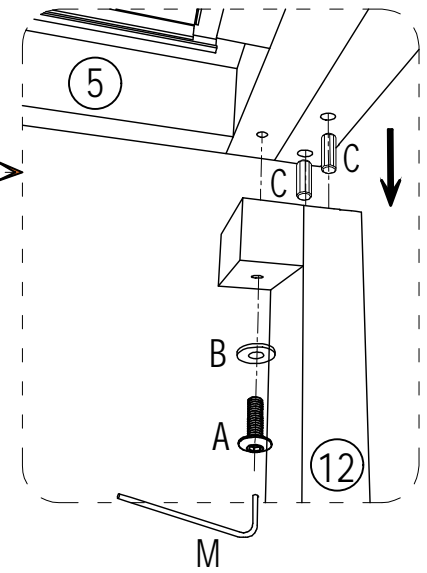
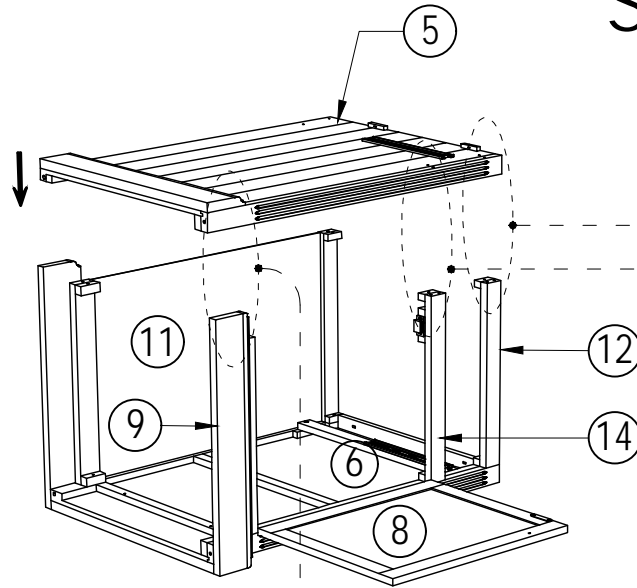


8x30mm
5 pcs

(M)



1 pc



STEP 7

(A)



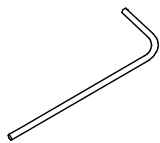
6x30mm
5 pcs

(B)

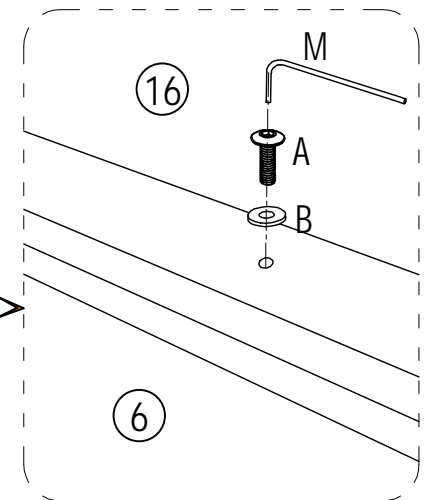
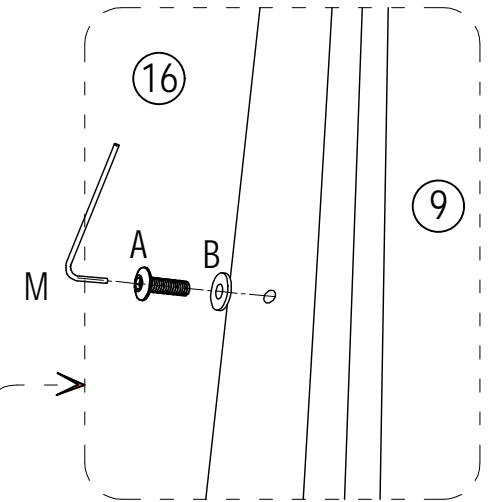
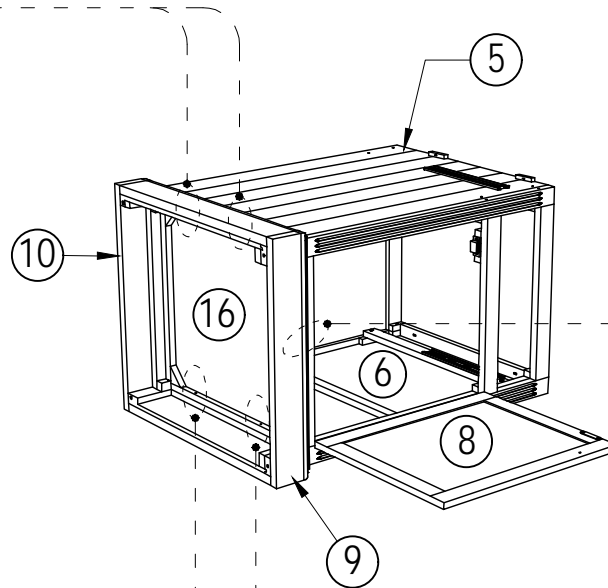
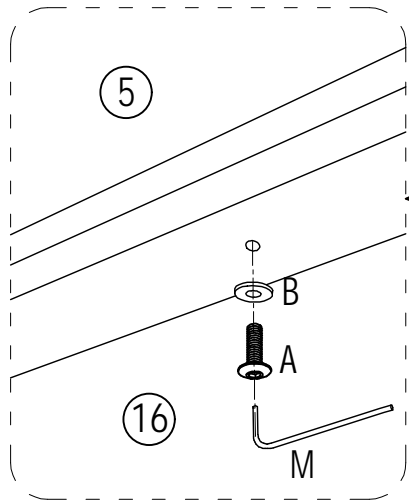


6x16mm
5 pcs

(M)



1 pc

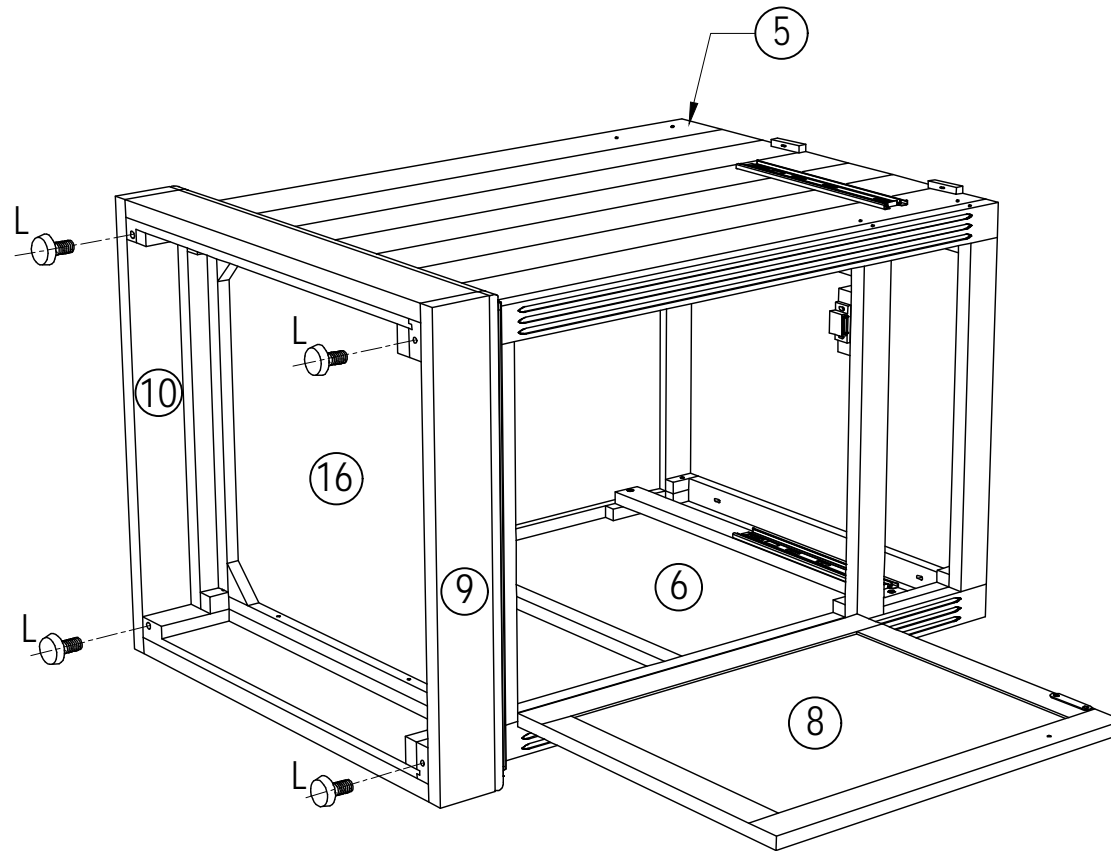


L



4 pcs

STEP 8



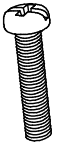
STEP 9

(D)



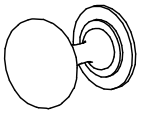
4x25mm
4 pcs

(I)



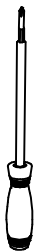
4x25mm
1 pc

(J)

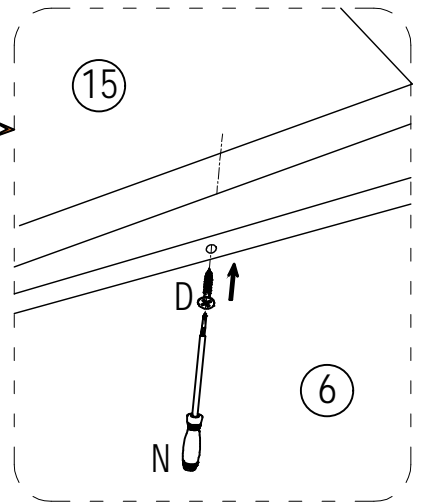
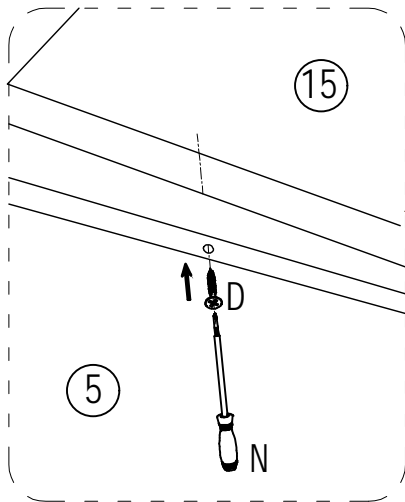
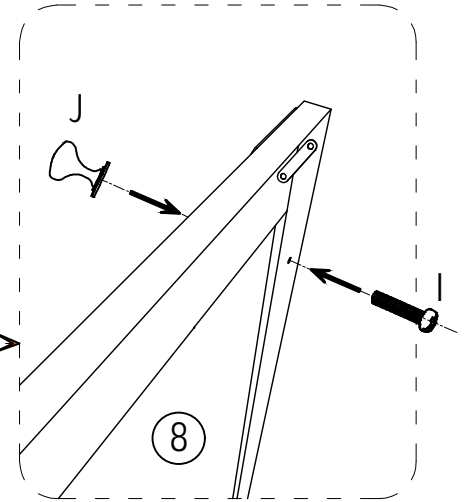
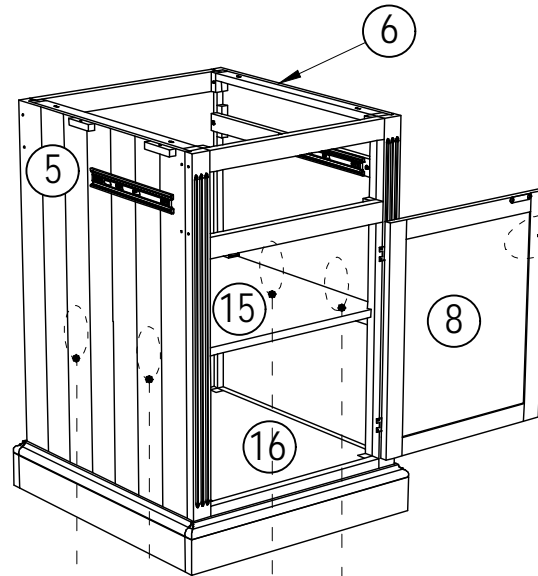


1 pc

(N)

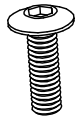


1 pc



STEP 10

A



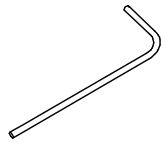
6x30mm
3 pcs

B

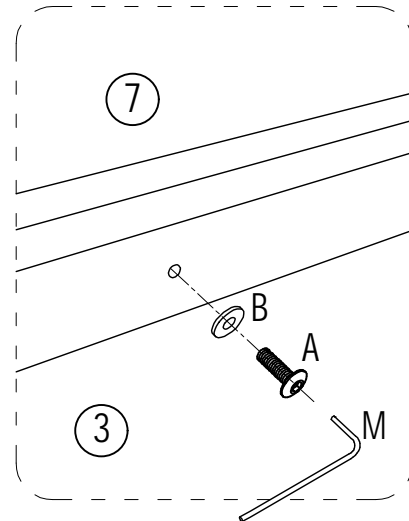
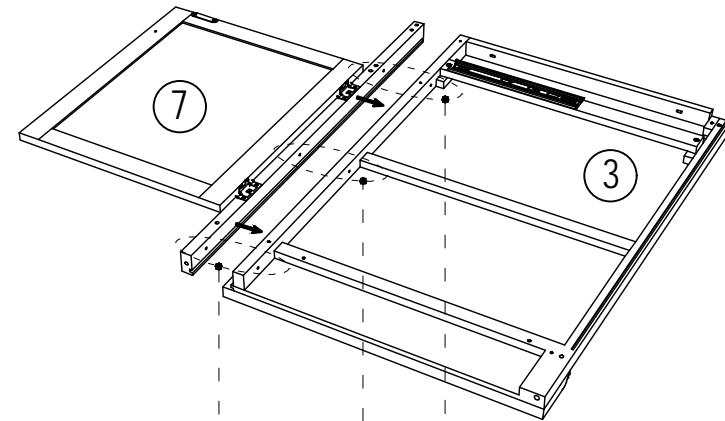


6x16mm
3 pcs

M

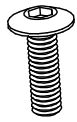


1 pc



STEP 11

(A)



6x30mm
3 pcs

(B)



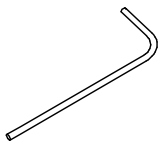
6x16mm
2 pcs

(C)

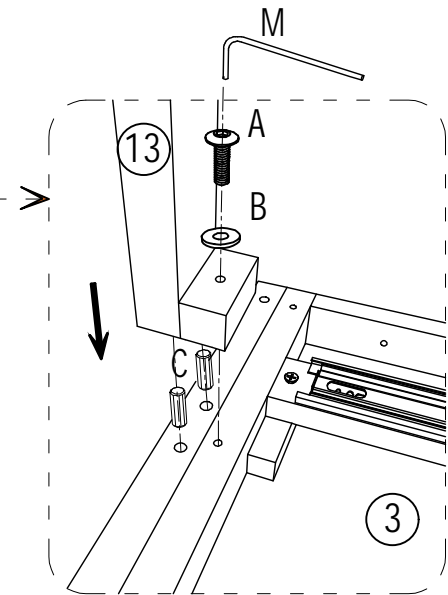
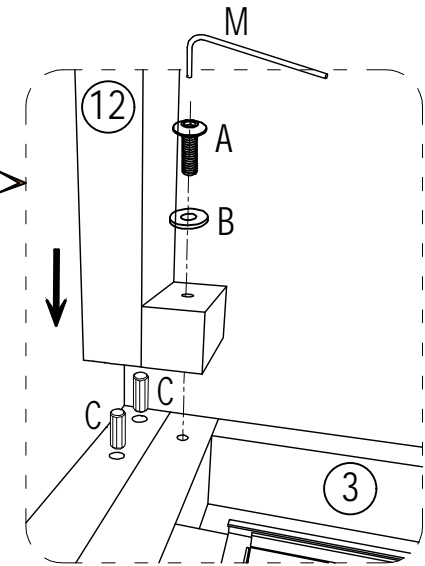
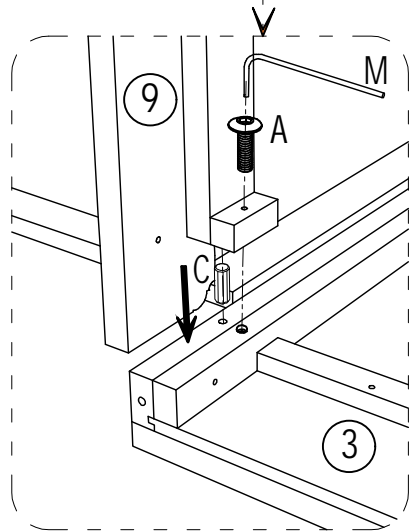
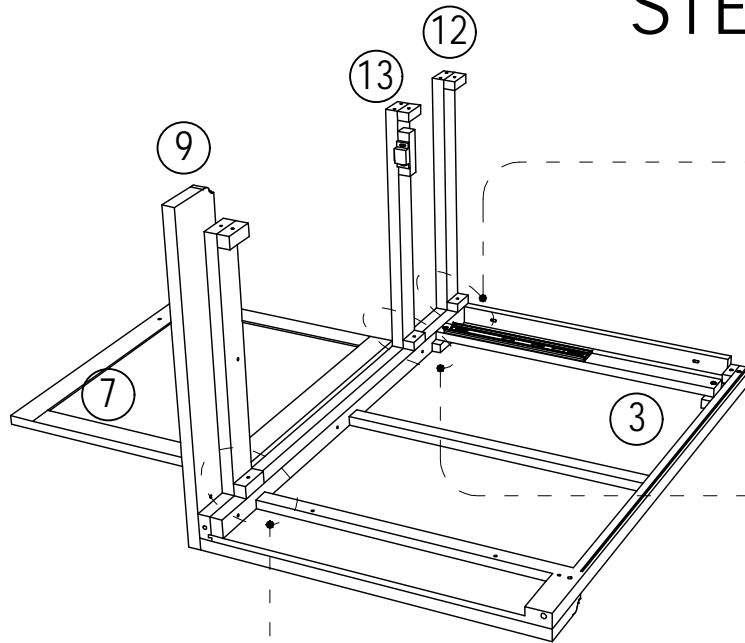


8x30mm
5 pcs

(M)

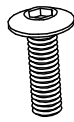


1 pc



STEP 12

(A)



6x30mm
2 pcs

(B)



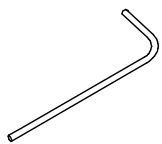
6x16mm
1 pc

(C)

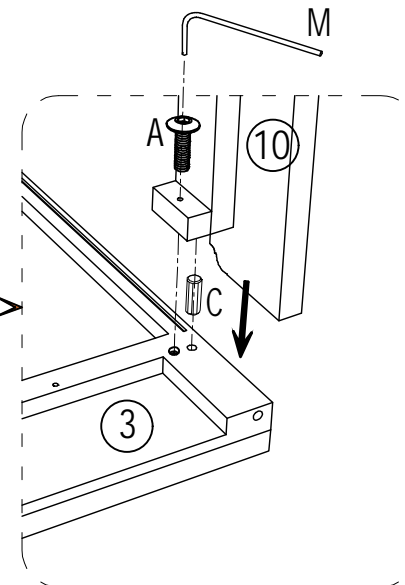
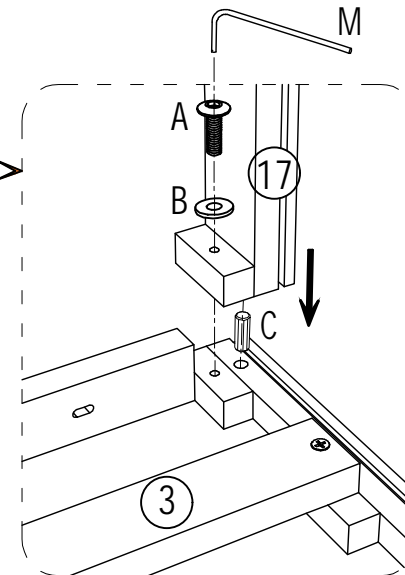
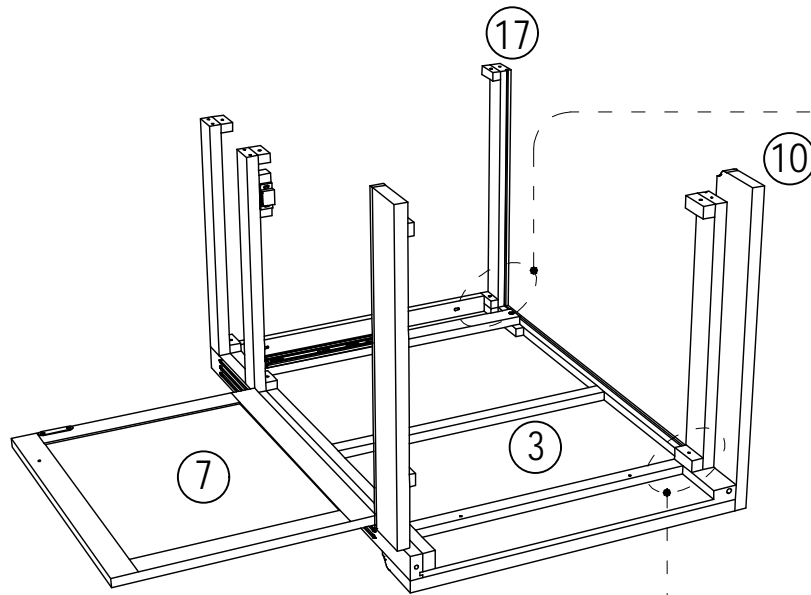


8x30mm
2 pcs

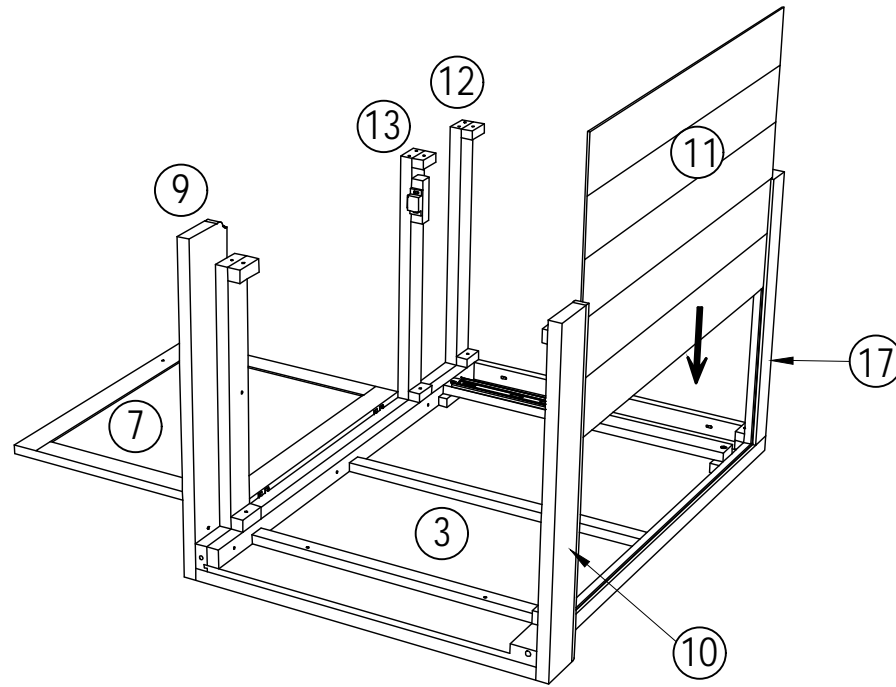
(M)



1 pc

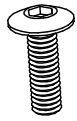


STEP 13



STEP 14

(A)



6x30mm
2 pcs

(B)



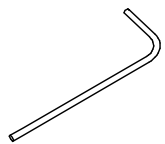
6x16mm
1 pc

(C)

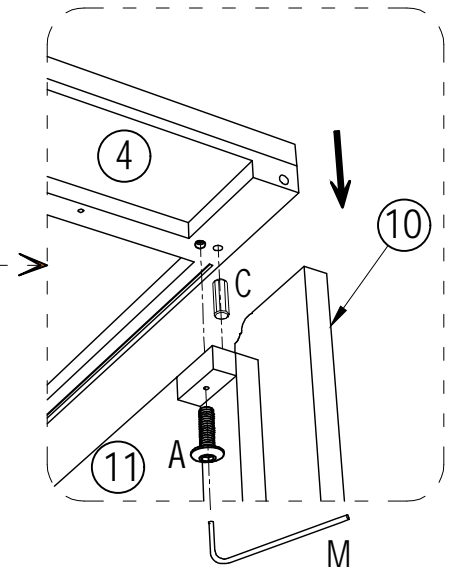
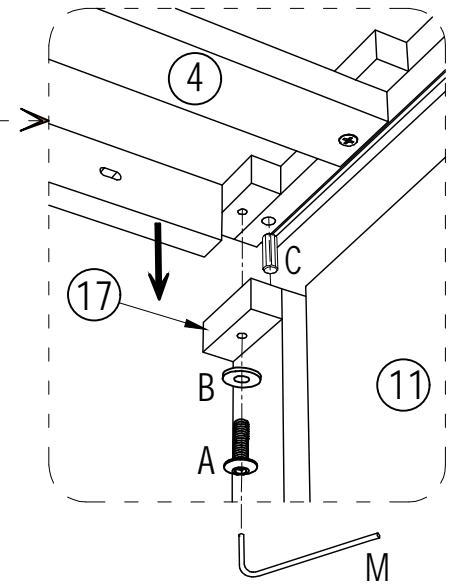
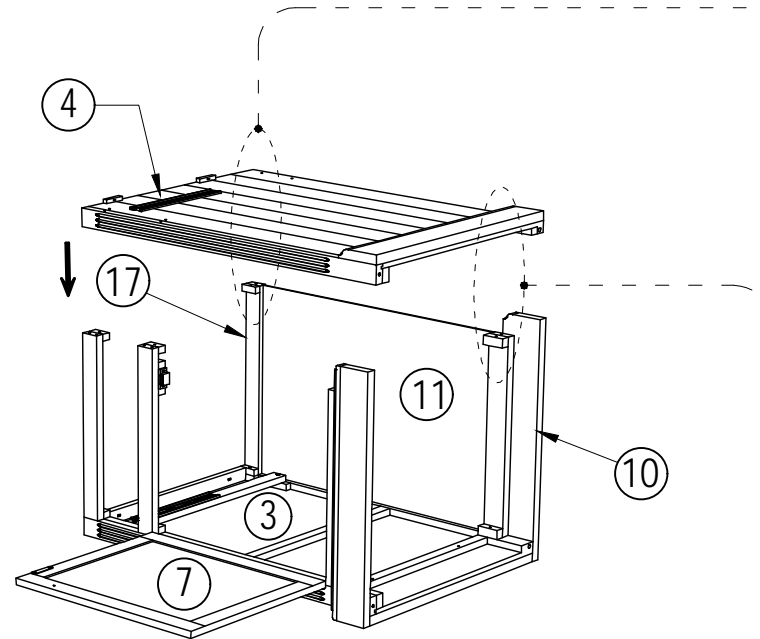


8x30mm
2 pcs

(M)

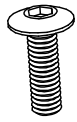


1 pc



STEP 15

(A)



6x30mm
3 pcs

(B)



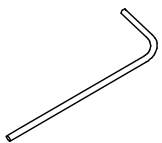
6x16mm
2 pcs

(C)

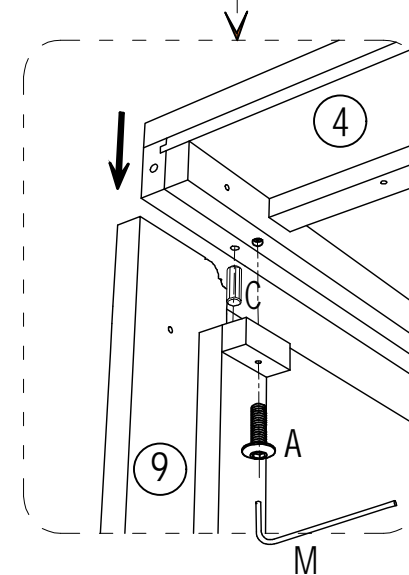
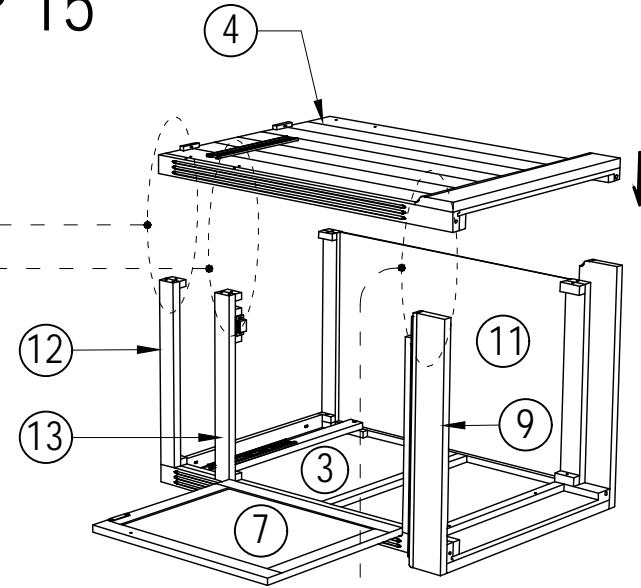
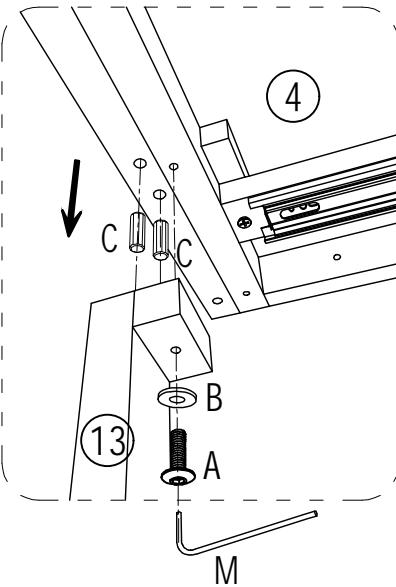
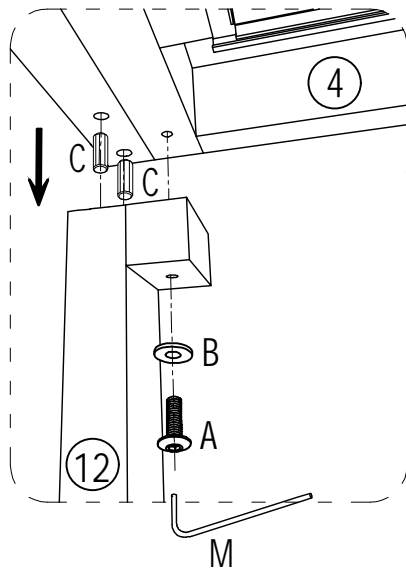


8x30mm
5 pcs

(M)

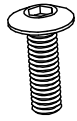


1 pc



STEP 16

(A)



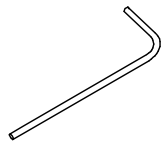
6x30mm
5 pcs

(B)

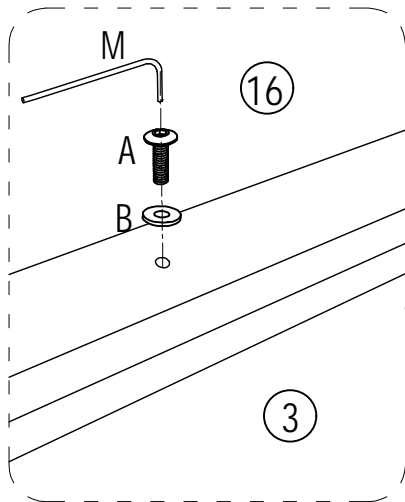
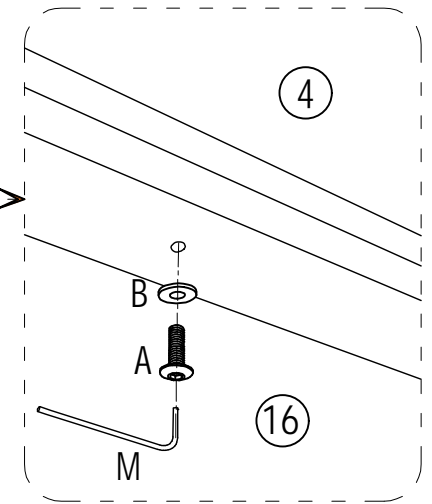
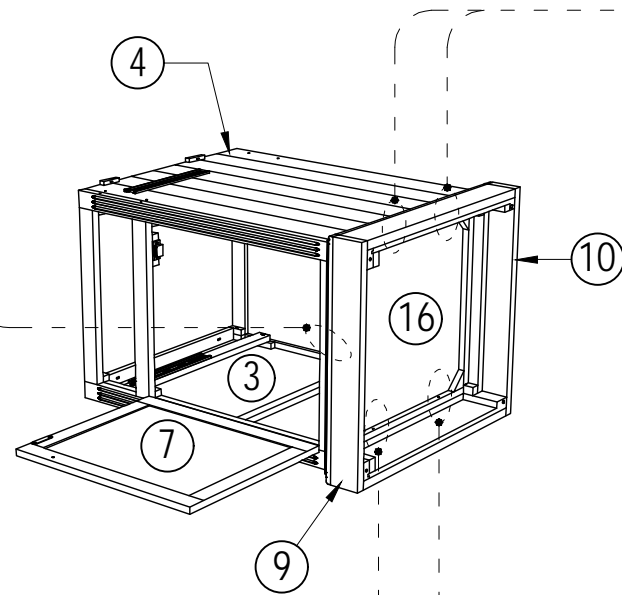
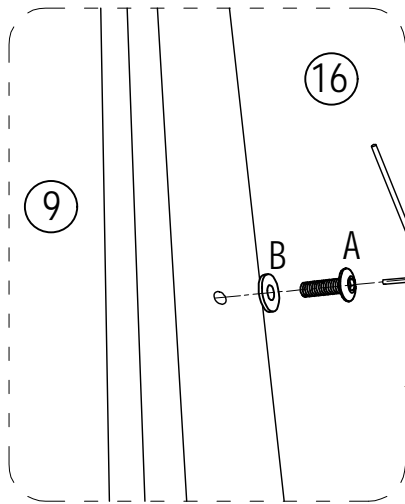


6x16mm
5 pcs

(M)



1 pc

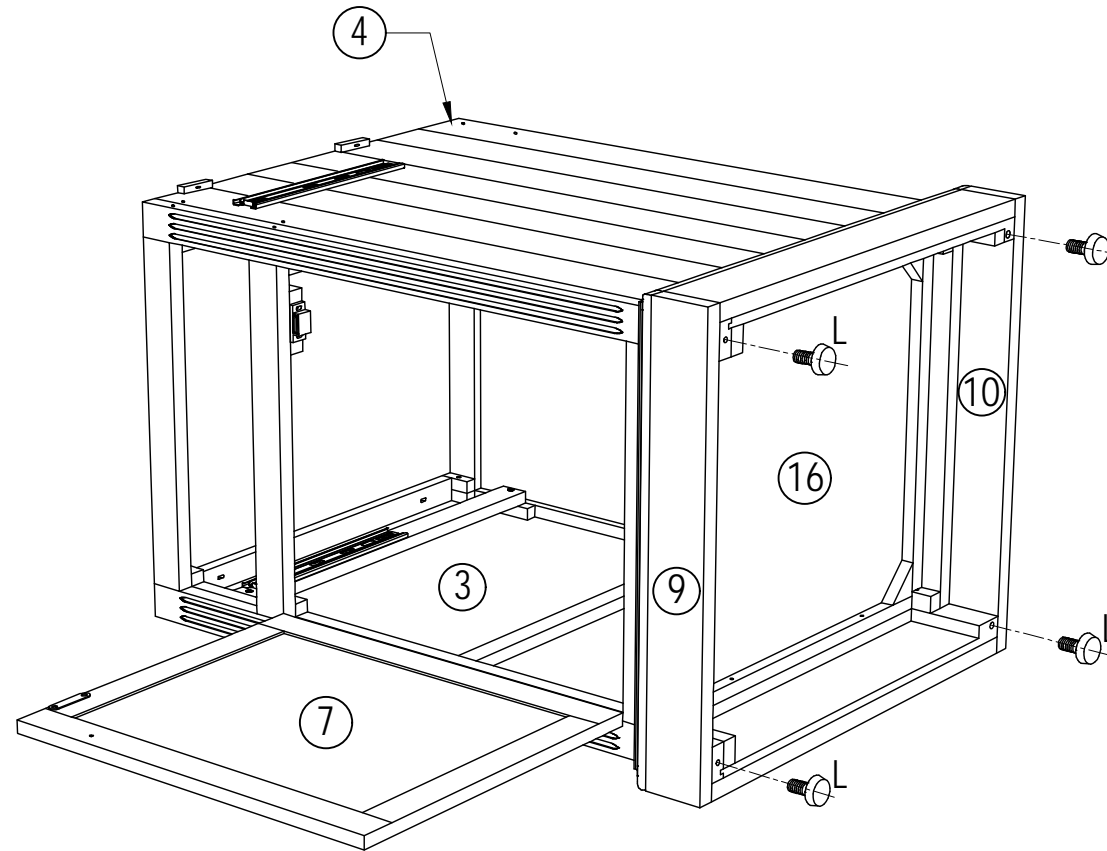


L



4 pcs

STEP 17



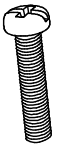
STEP 18

D



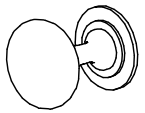
4x25mm
4 pcs

I



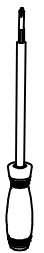
4x25mm
1 pc

J

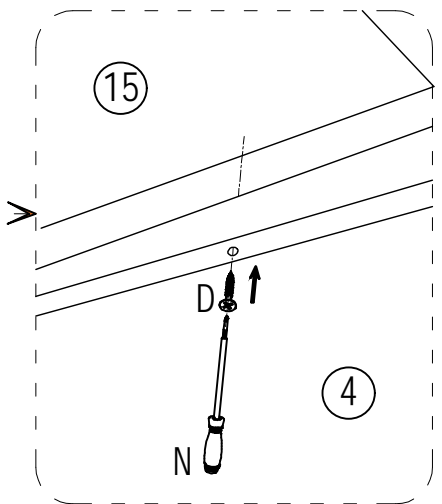
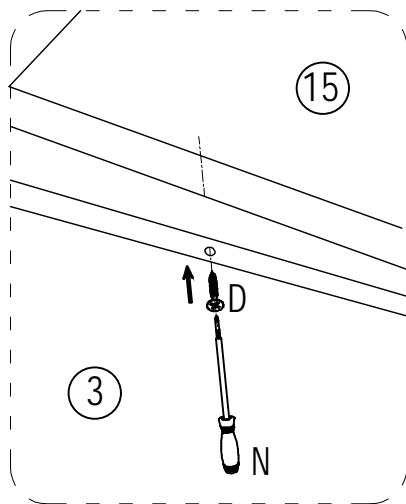
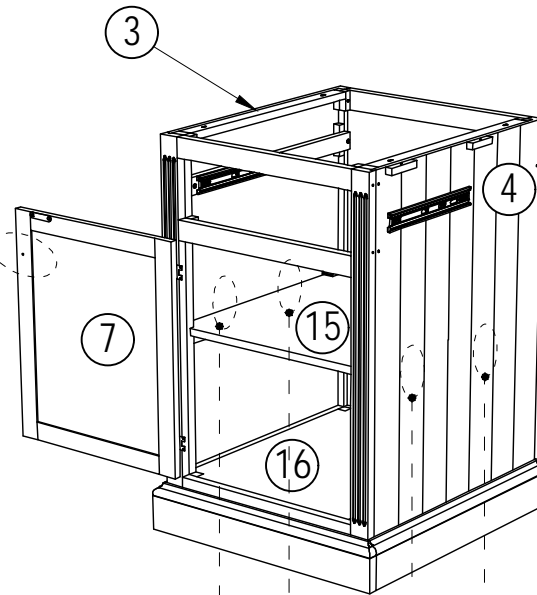
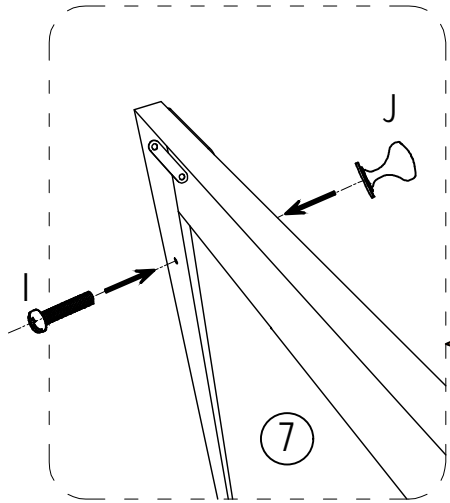


1 pc

N

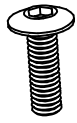


1 pc



STEP 19

(A)



6x30mm
8 pcs

(B)



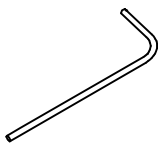
6x16mm
8 pcs

(C)

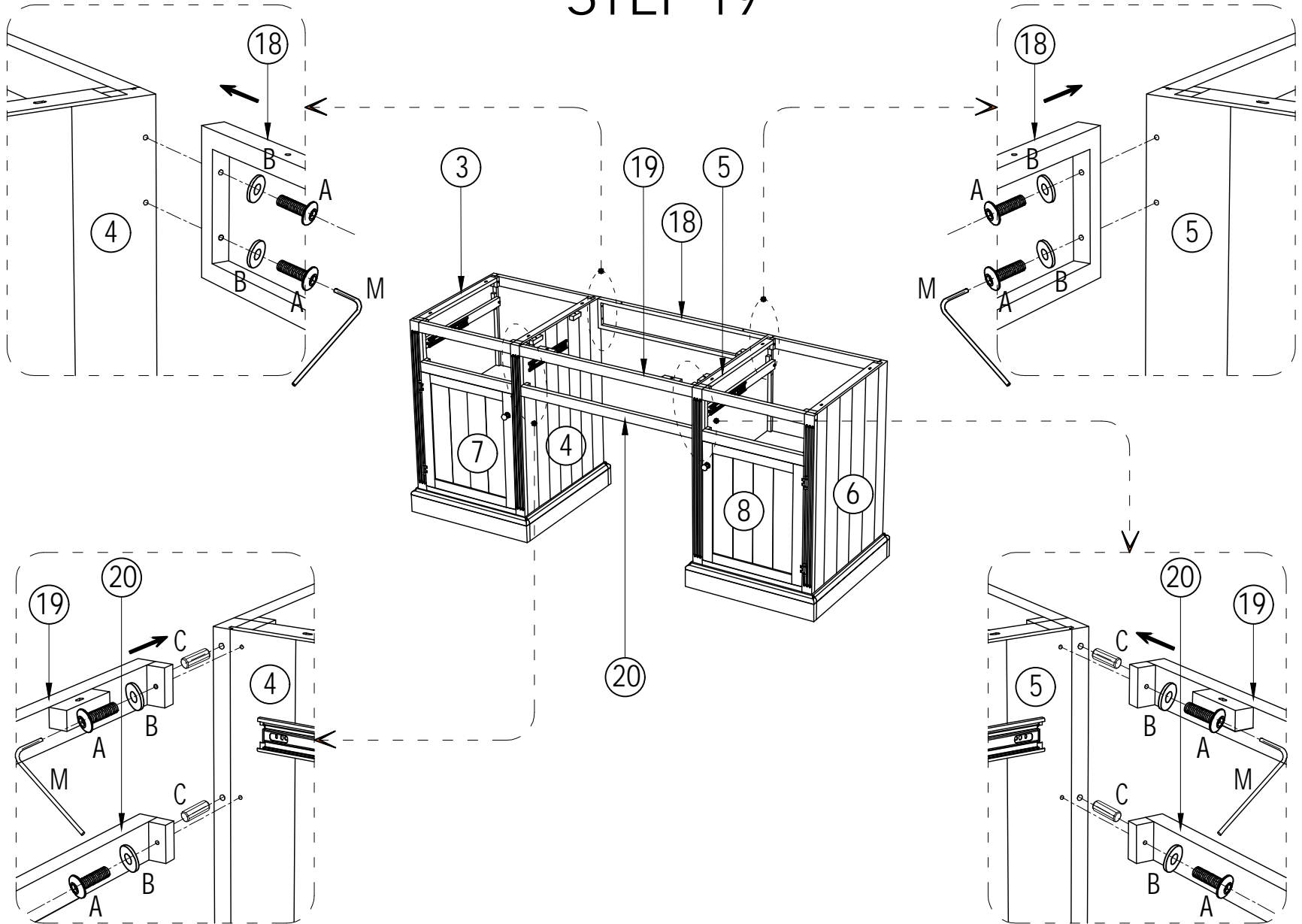


8x30mm
4 pcs

(M)

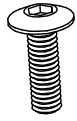


1 pc



STEP 20

(A)



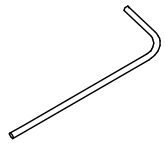
6x30mm
4 pcs

(B)

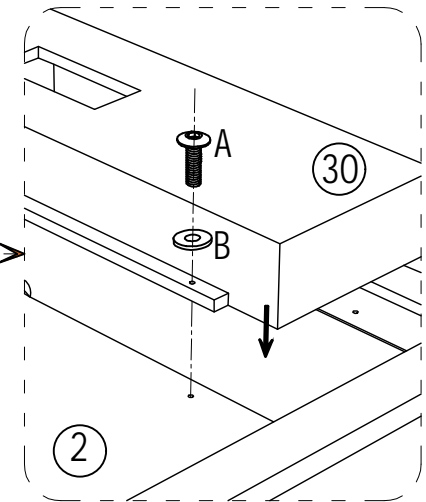
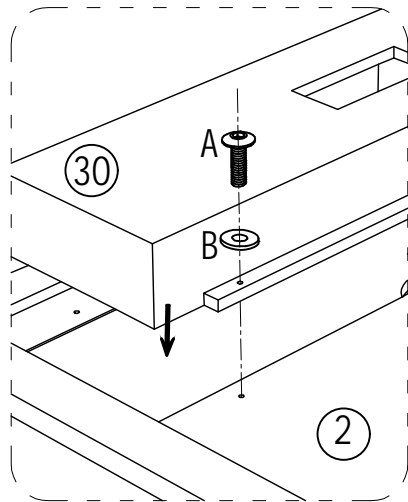
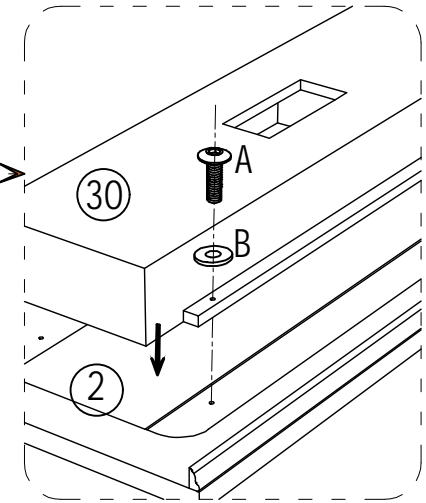
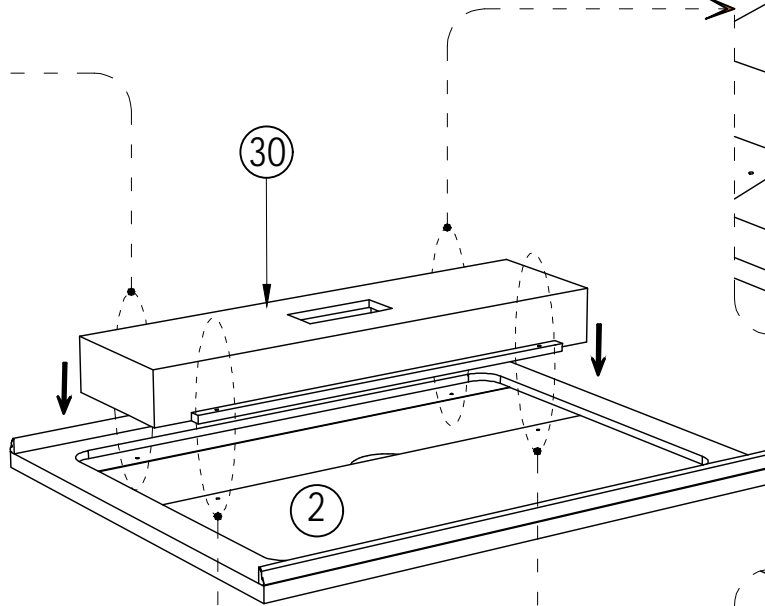
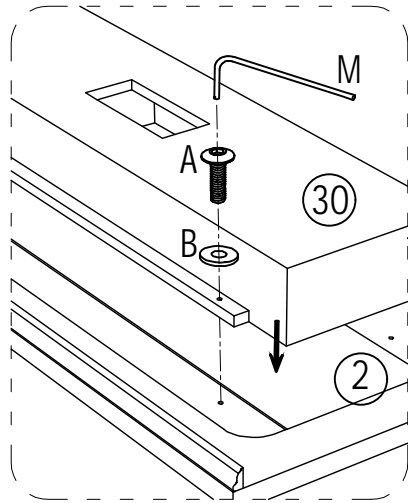


6x16mm
4 pcs

(M)

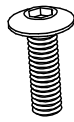


1 pc



STEP 21

(A)



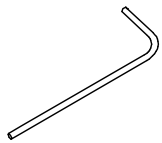
6x30mm
4 pcs

(B)

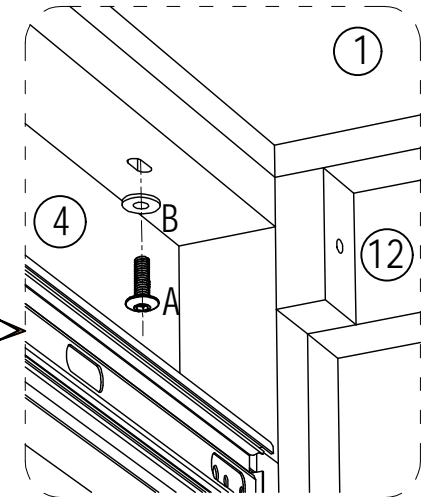
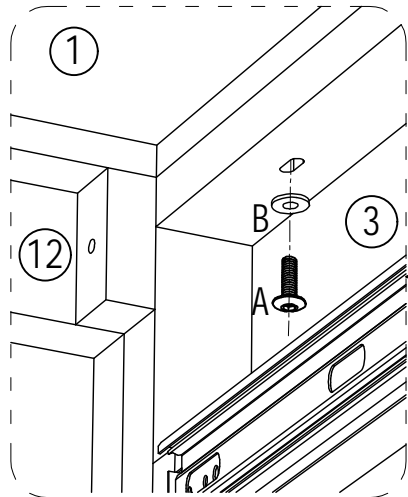
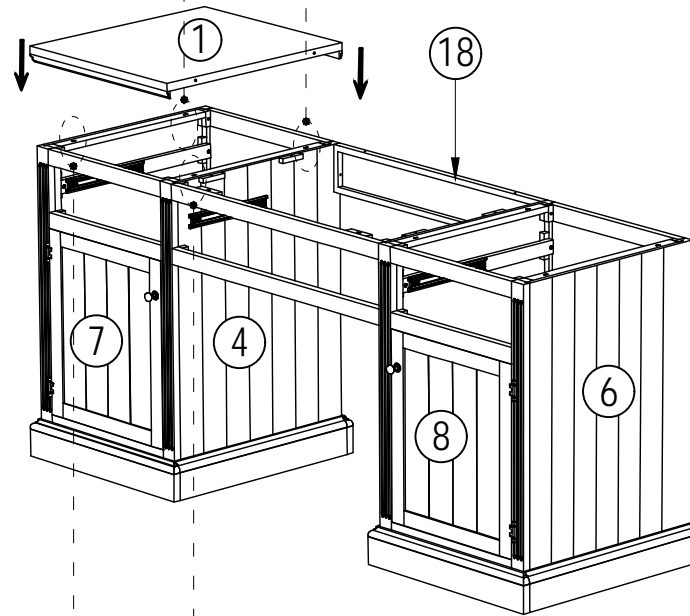
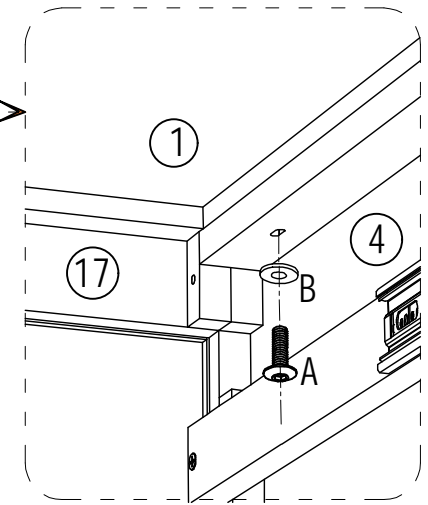
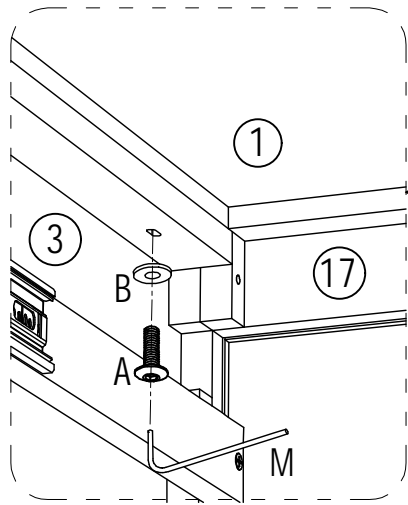


6x16mm
4 pcs

(M)

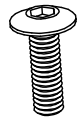


1 pc



STEP 22

(A)



6x30mm
8 pcs

(B)



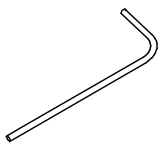
6x16mm
8 pcs

(C)

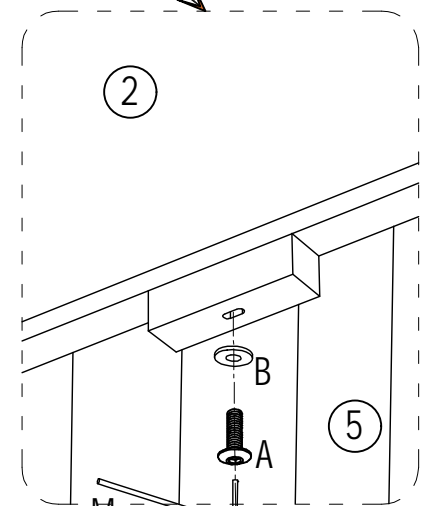
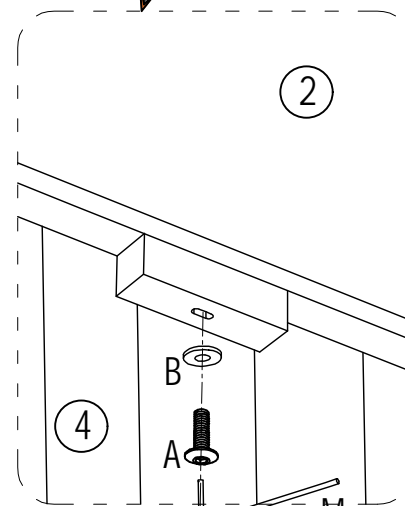
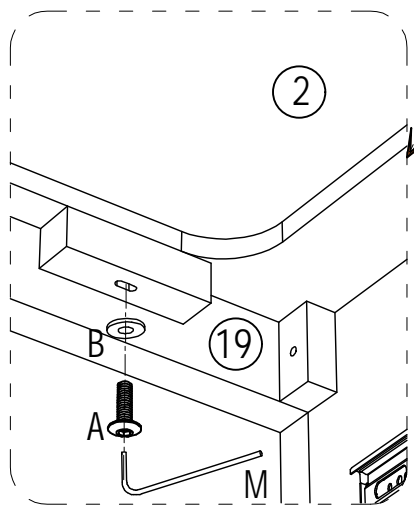
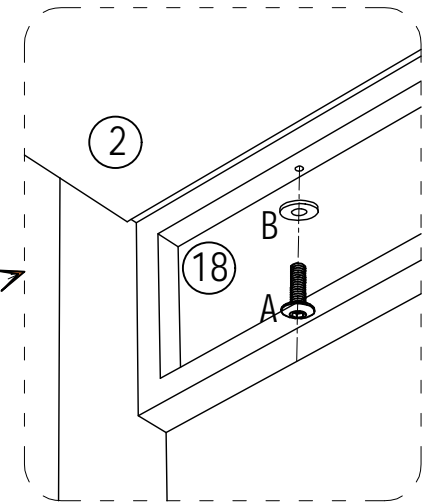
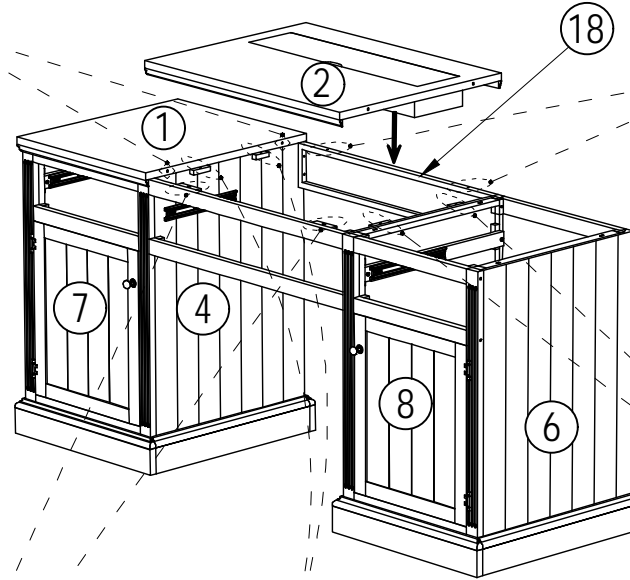
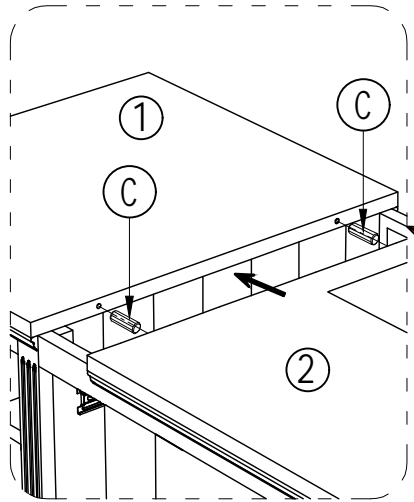


8x30mm
2 pcs

(M)

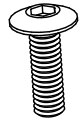


1 pc



STEP 23

A



6x30mm
4 pcs

B



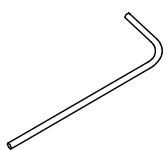
6x16mm
4 pcs

C

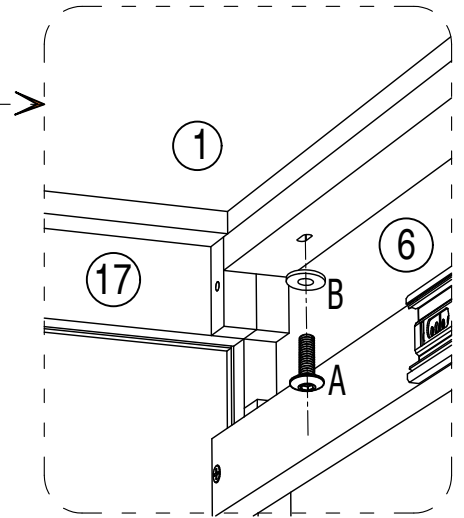
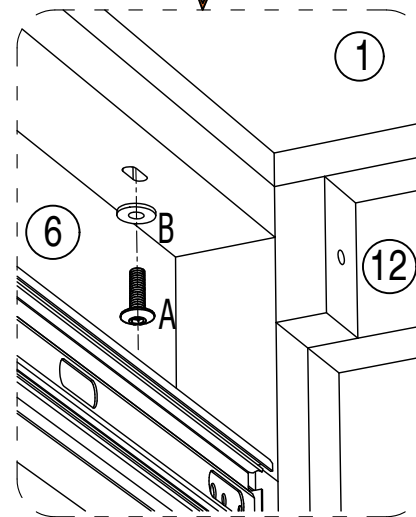
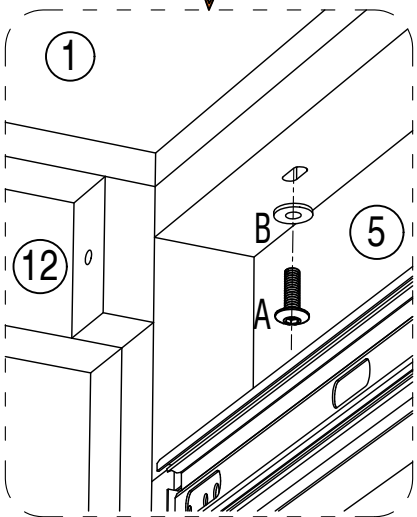
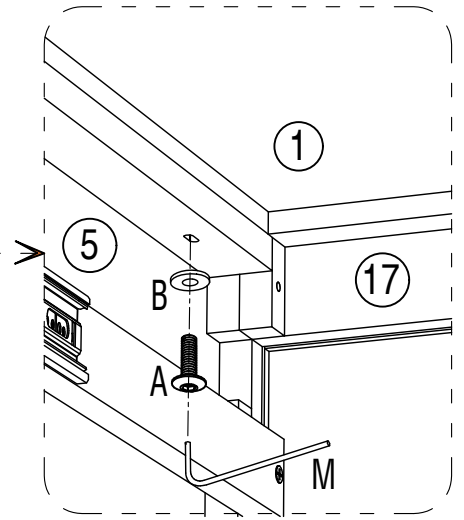
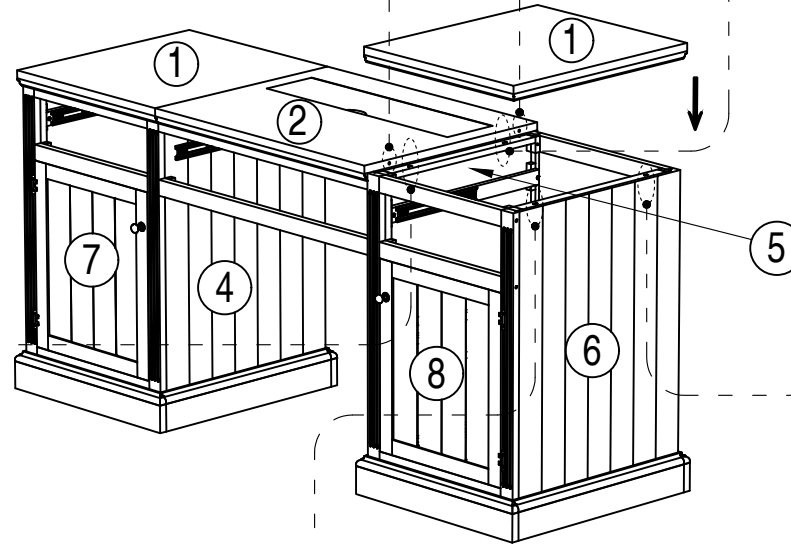
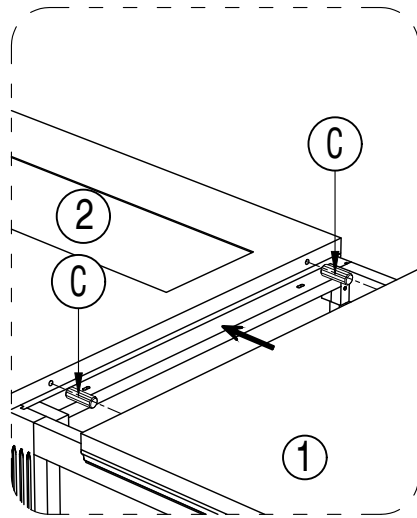


8x30mm
2 pcs

M

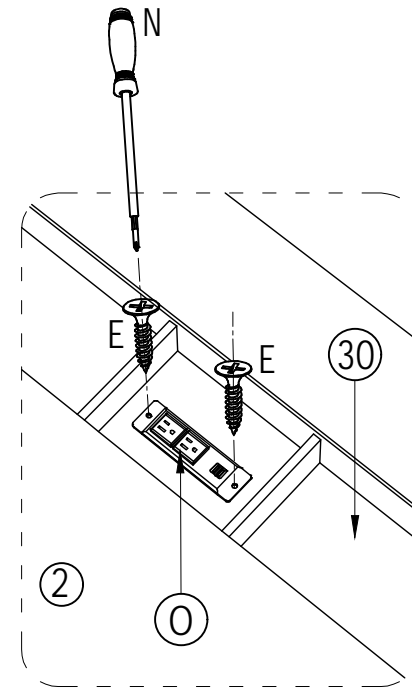
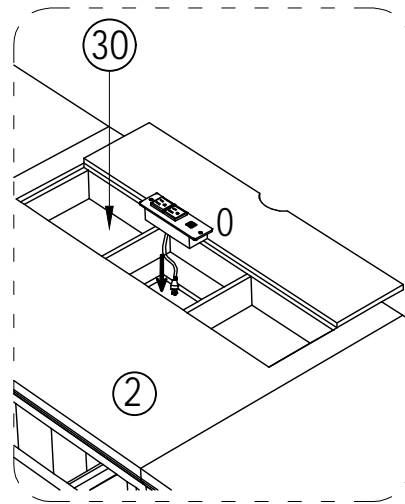
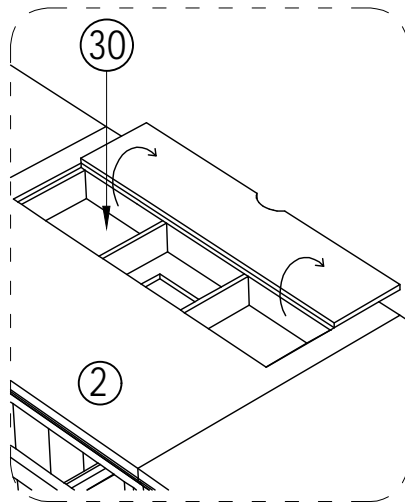


1 pc

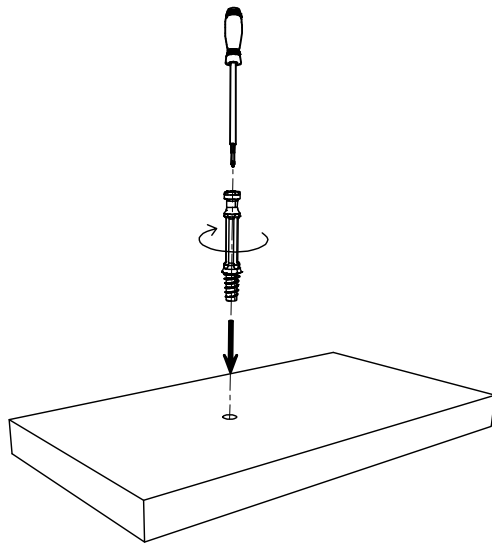


STEP 24

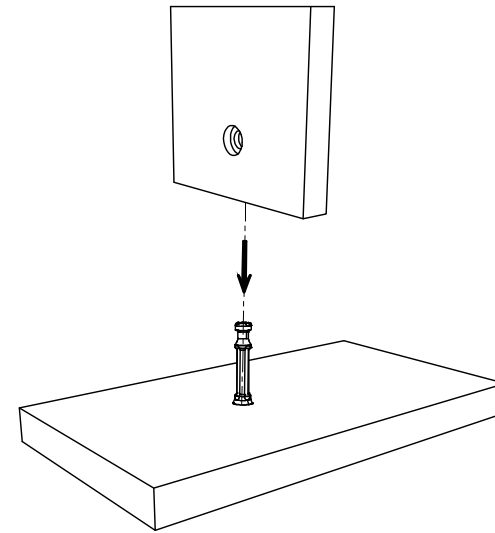
Install power outlet



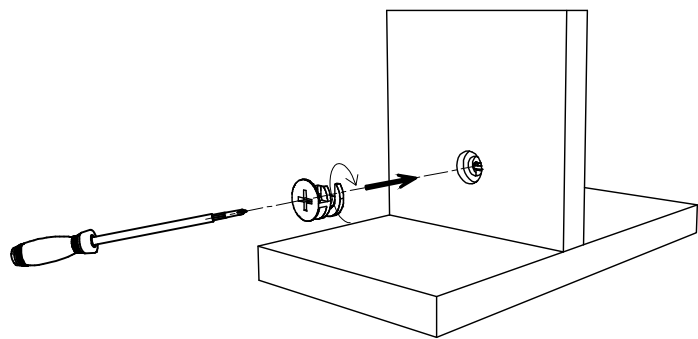
Typical way to install cam screws



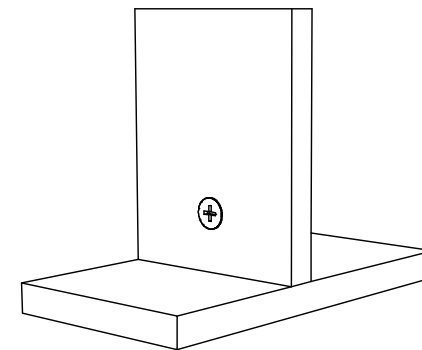
1



2



3



4. Done

STEP 25

F



3 pcs

G

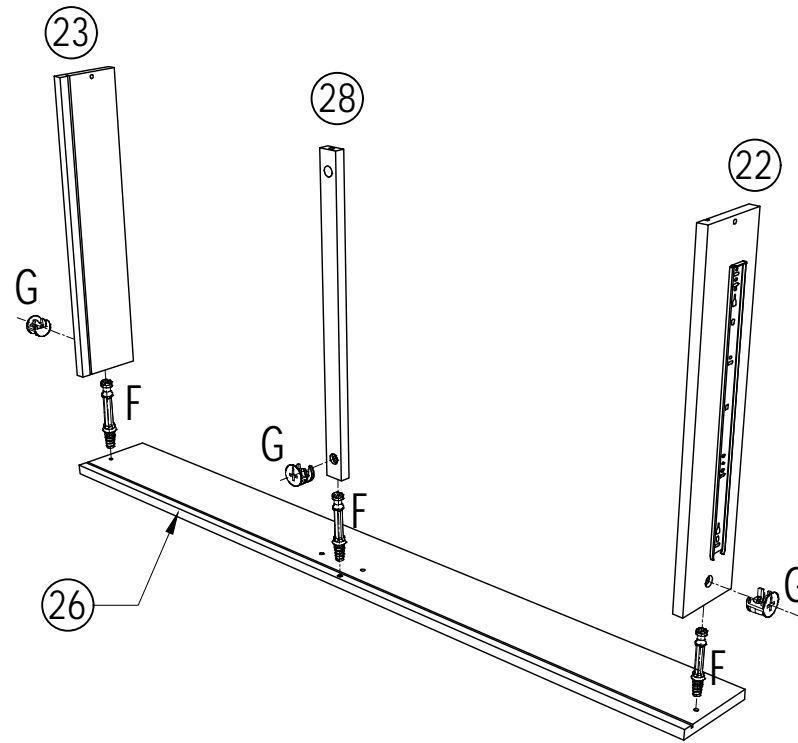


3 pcs

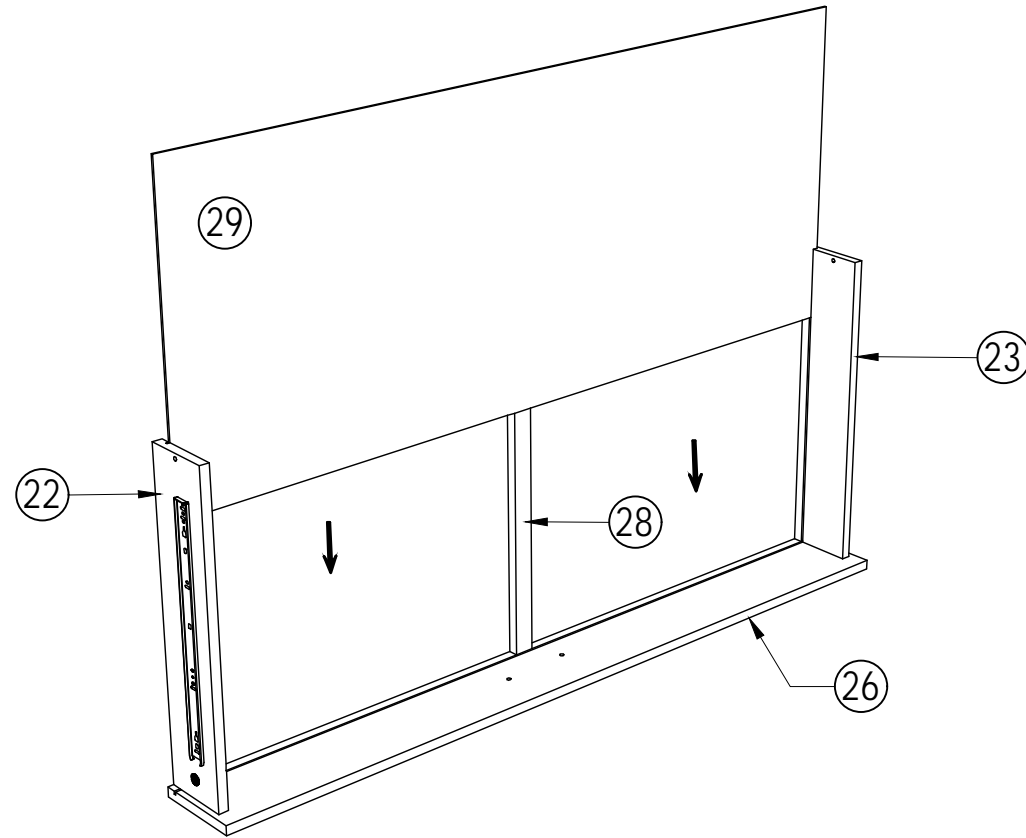
N



1 pc



STEP 26



STEP 27

F



1 pc

G



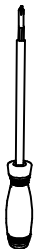
1 pc

D

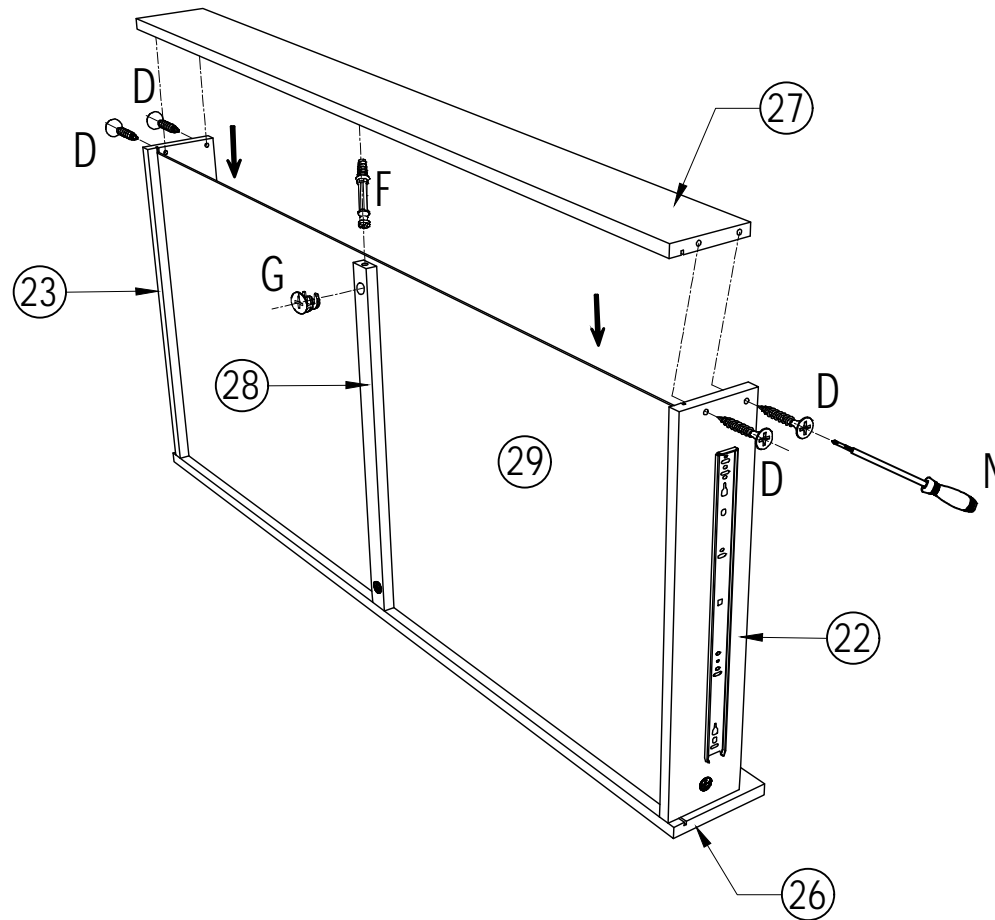


4x25mm
4 pcs

N

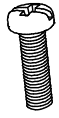


1 pc



STEP 28

(H)



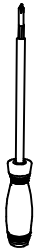
4x15mm
2 pcs

(K)

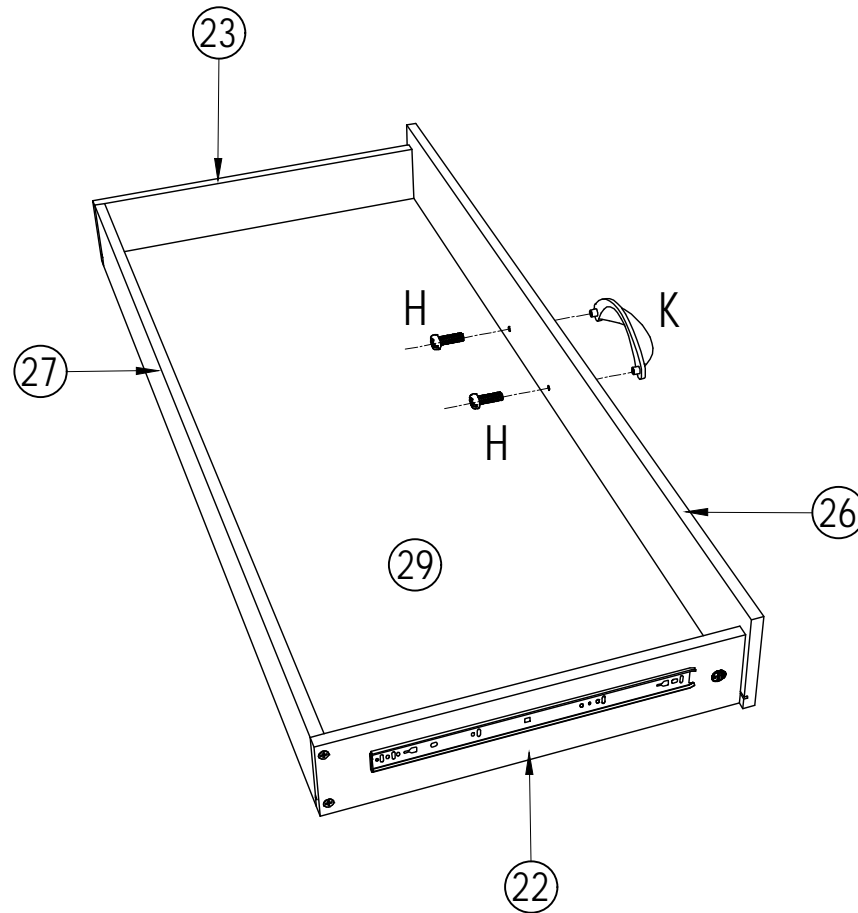


Quantity:
1 pc

(N)



1 pc



F



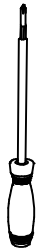
4 pcs

G



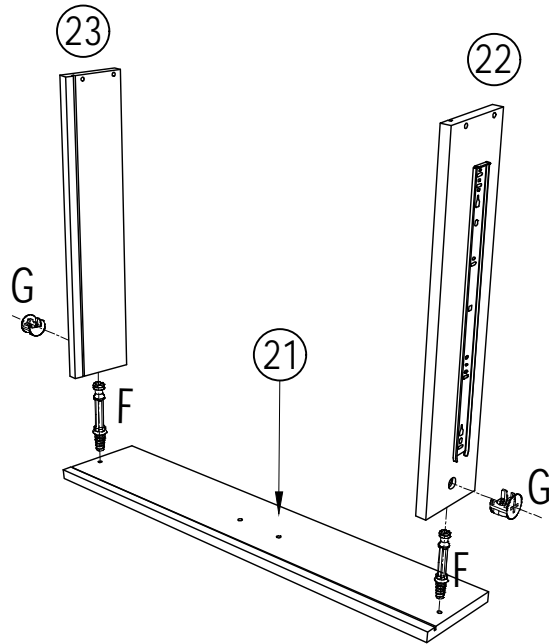
4 pcs

N

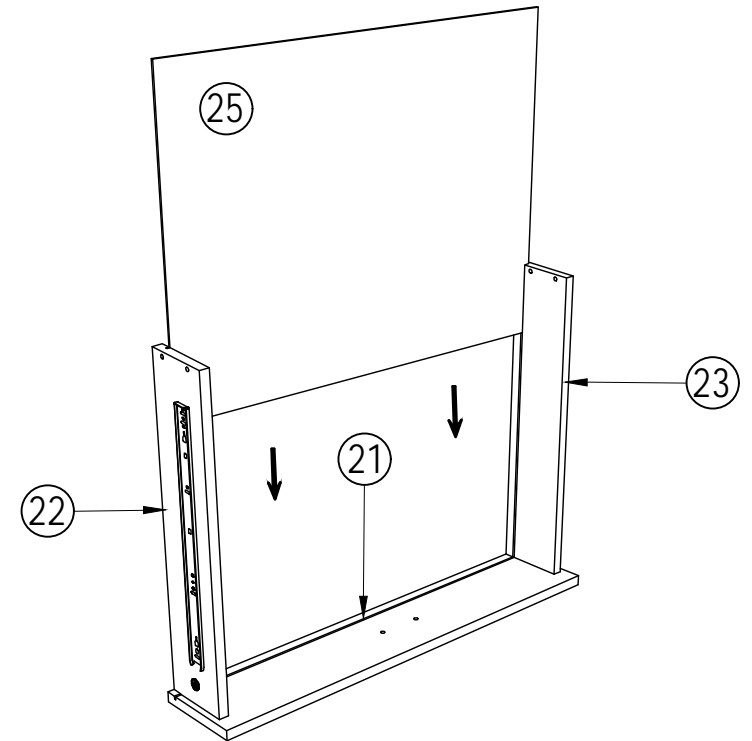


1 pc

STEP 29 (x2)



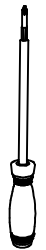
STEP 30 (x2)





D

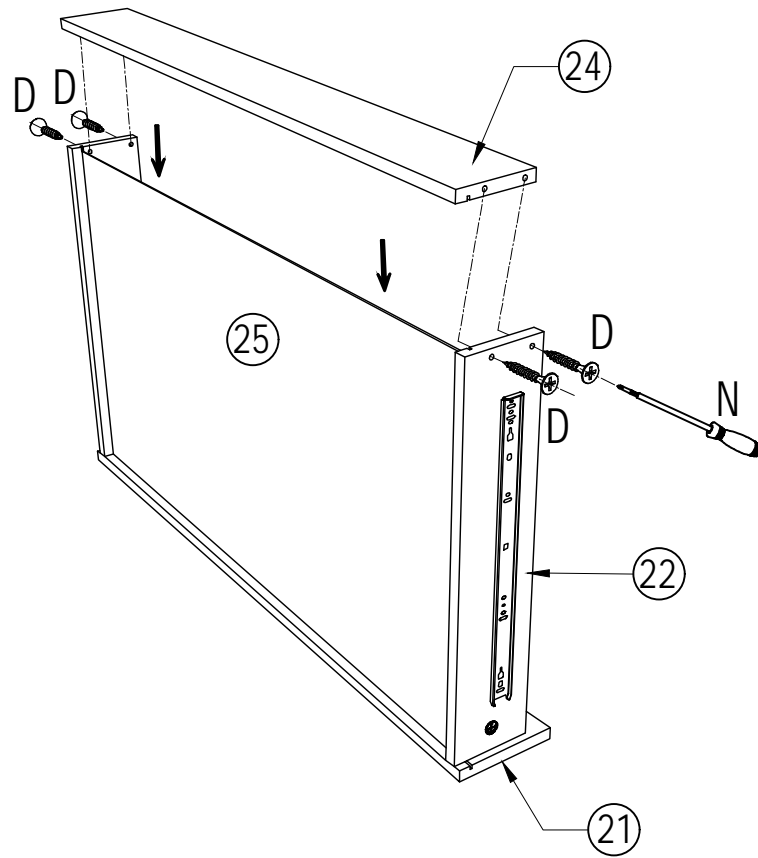
4x25mm
8 pcs



N

1 pc

STEP 31 (x2)



H



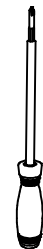
4x15mm
4 pcs

K



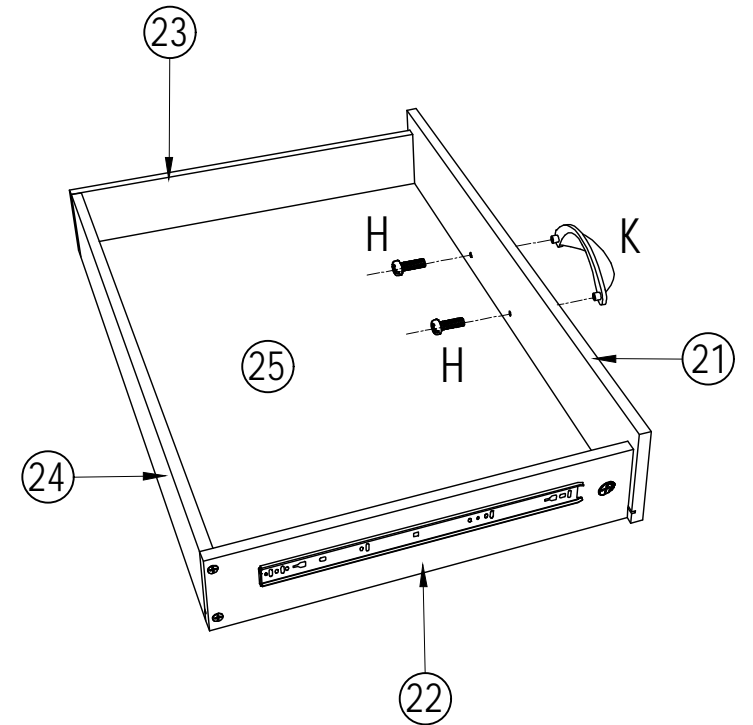
2 pcs

N

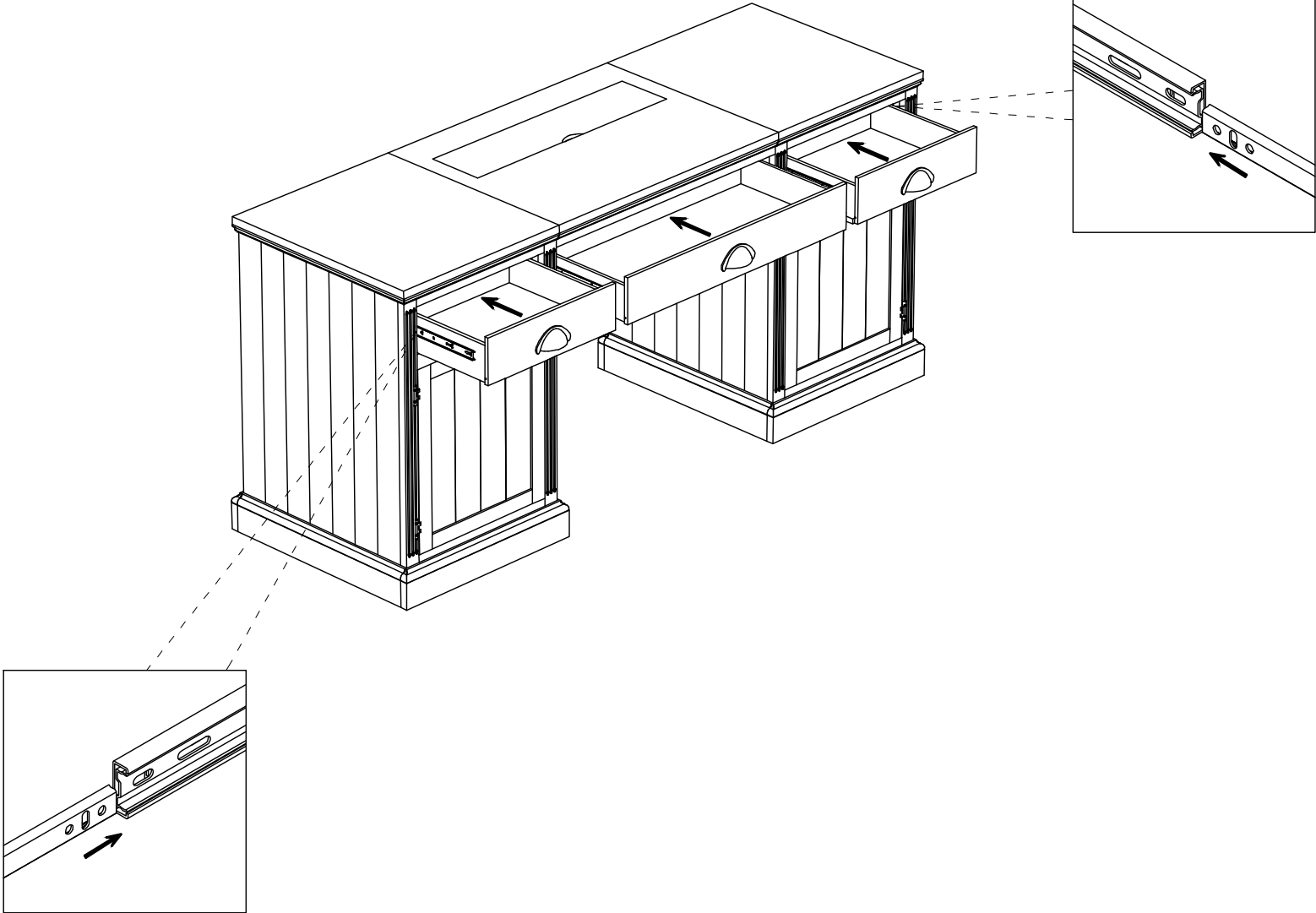


1 pc

STEP 32 (x2)



STEP 33



FINISH

