



20 : 00

estimated
assembly time



2 or more

people required

Ok, let's
get started!



- Put on mood music!
- To prevent damage to product, use the clean side of package carton or rug as working surface.
- In the event of missing or damaged parts, delivery problems etc., please reach out to our team.
We will be happy to fix the problem!

care guide

- Clean regularly with a soft and dry cloth.
- To protect finish, avoid use of abrasive cleaners.
- Wipe up spills immediately. Please!



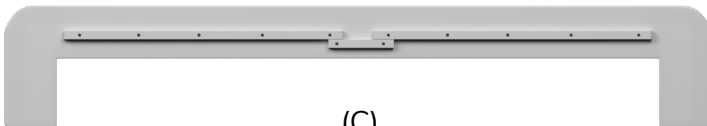
product parts



(A)
Headboard
x1



(B)
Footboard
x1



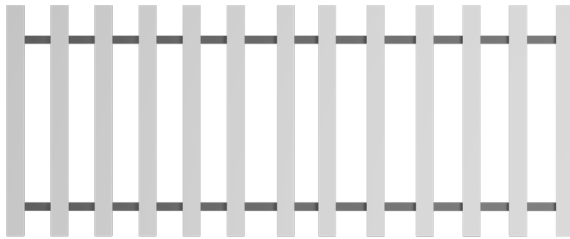
(C)
Side Rails
x2



(D)
Mid Rail
x1

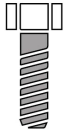


(E)
Mid Legs
x3

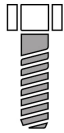


(F)
Slats
x2

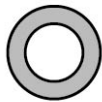
what's included



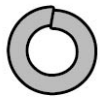
(G)-Bolt (8 x 50mm)
x5



(H)- Bolt (8 x 25mm)
x8



(I)- Washer (Ø8.5mm)
x8



(J)-Lock Washer (Ø8.5mm)
x8



(K)- Allen Key
x1

BK Black Sticker

BL Blue Sticker

assembly instructions

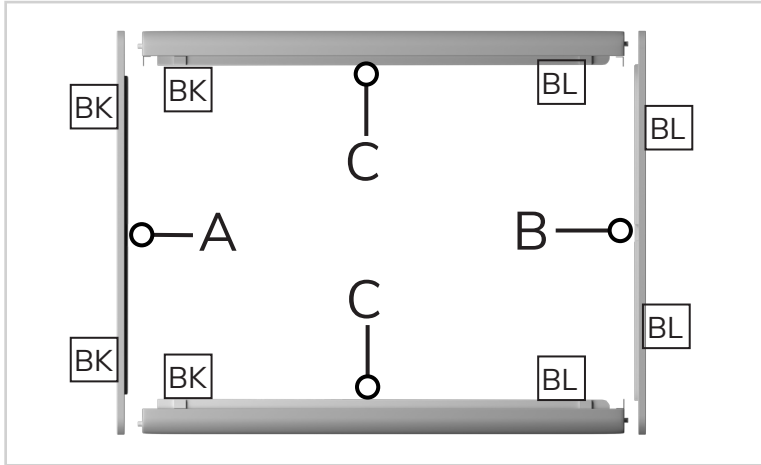
Friendly Tip: Take a deep breath going in. This may be a tricky part, but nothing too overwhelming. Just follow these steps to the T and the outcome will be worth it!



- ⓘ While assembling the product, tighten the bolts up to 50%. Once all parts are in place, only then fully tighten the bolts.

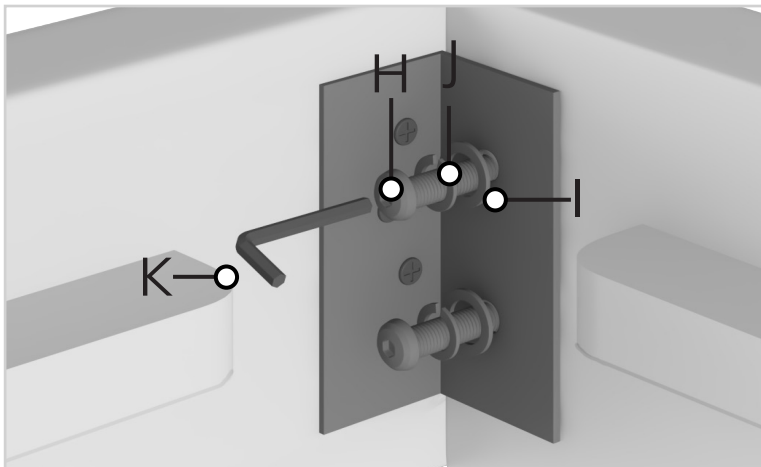
step 1:

First, align the headboard (A) and footboard (B) to the two side rails (C) so that the matching stickers fall adjacent to each other. See this image for reference.



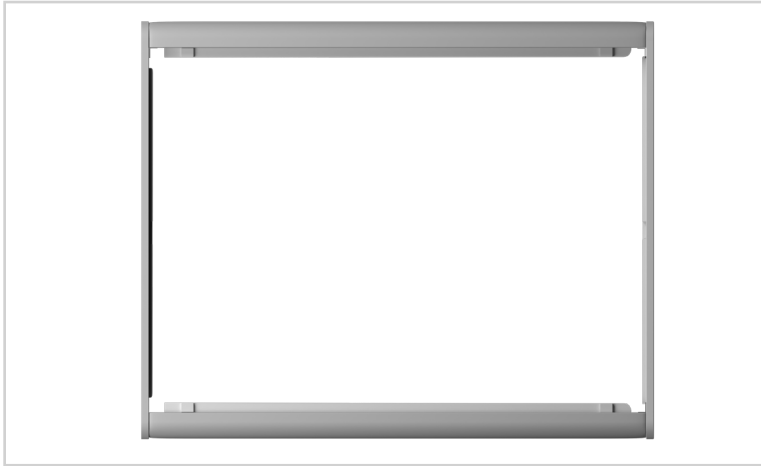
step 2:

Then, to attach headboard (A) and footboard (B) to the two side rails (C), insert washer (I), lock washer (J), and bolt (H) as shown in this image. The order from bottom to top is I, J, H. Tighten all points using allen-key (K).



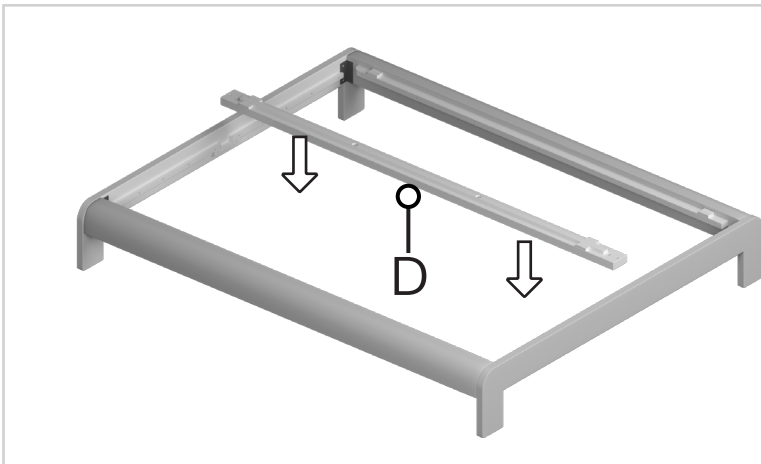
step 3:

After attaching all four corners, the product should look like this.



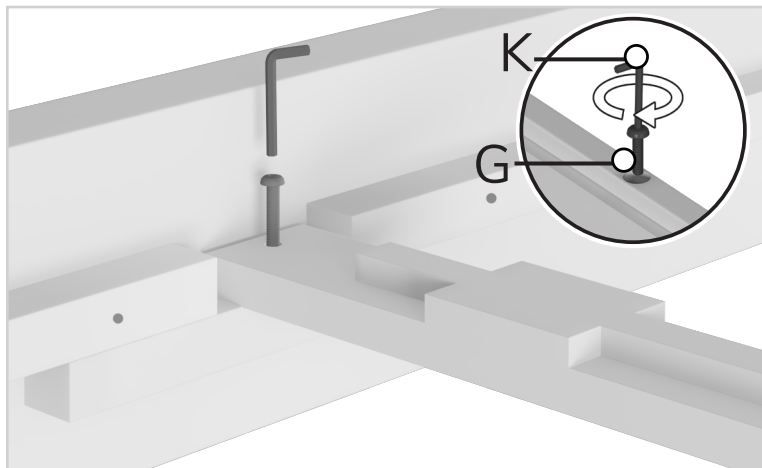
step 4:

Now, place the mid-rail (D) in the centre (parallel to the side-rails) so that the coloured stickers on it are aligned with their respective counterparts on the headboard (A) and footboard (B).



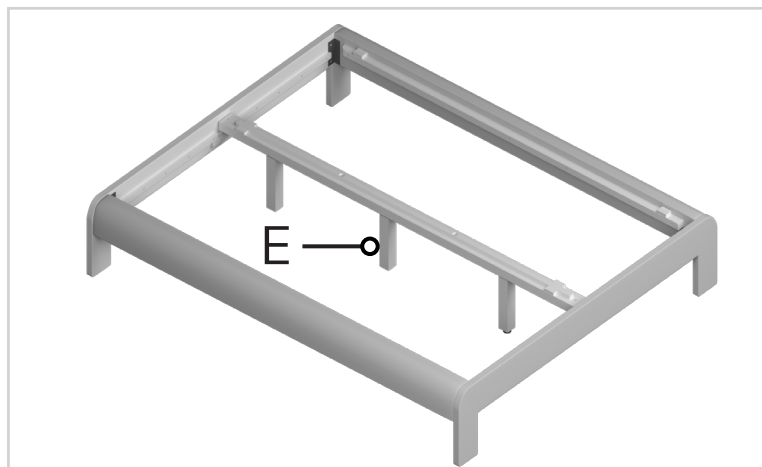
step 5:

Using the image as reference, insert the bolt (G) into the pre-drilled holes and fix the mid-rail in place with the help of allen key (K).



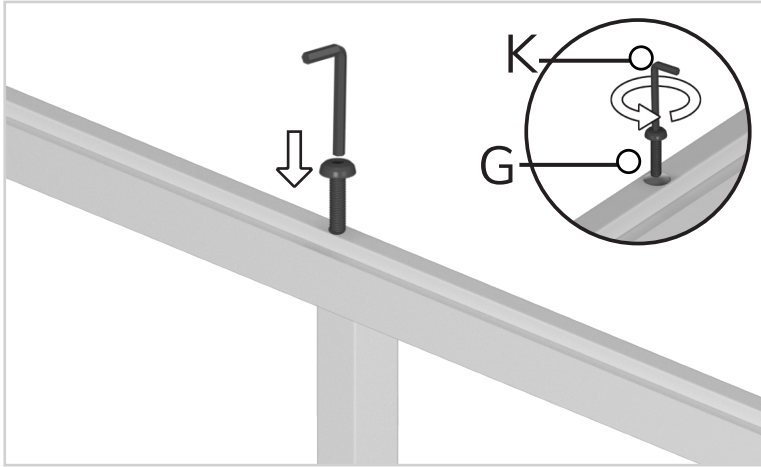
step 6:

Then align the three mid-legs (E) with the pre-drilled slots on mid-rail (D) taking this image as reference.



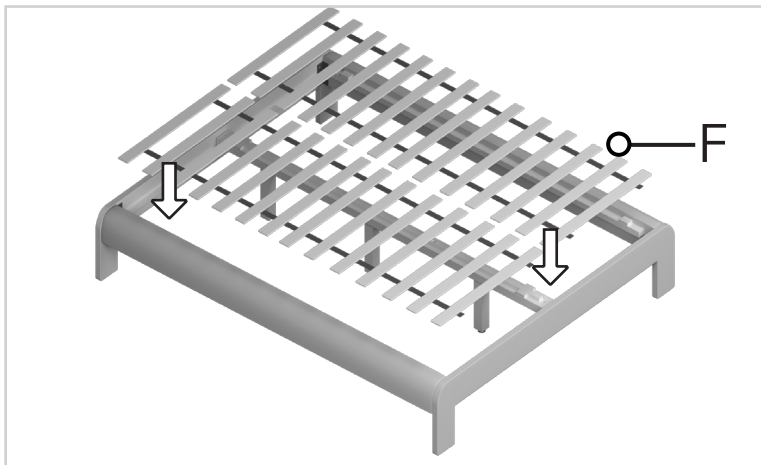
step 7:

Now, to attach the mid-legs to the mid-rail, place the bolt (G) into the pre-drilled slots and fix the mid-legs in place with the help of allen key (K).



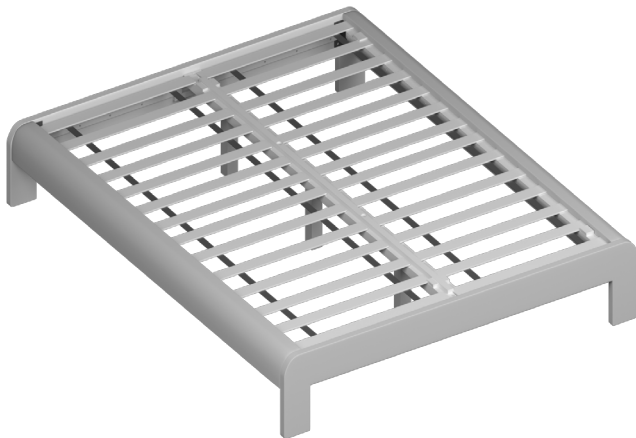
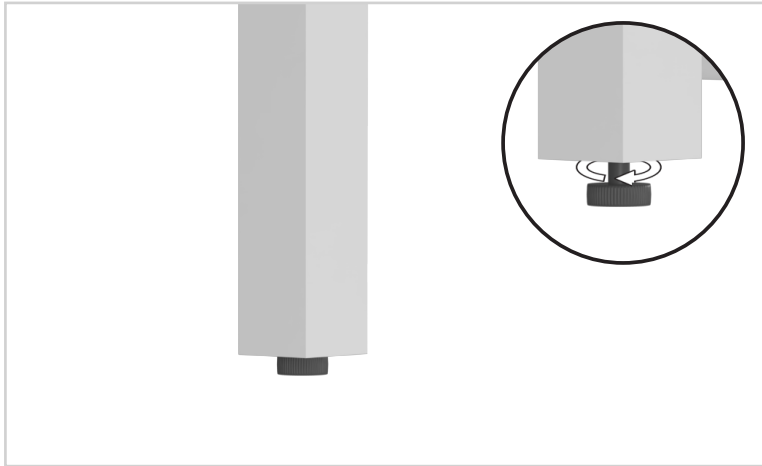
step 8:

Simple enough? Next, place all the slates (F) parallel to each other as shown in this image. Make sure the slates are well fixed in place.



step 9:

If required, adjust the levellers according to the floor as shown in the image.



Voila! Your bed is now assembled and secure!