

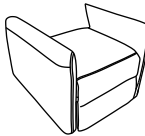
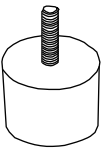
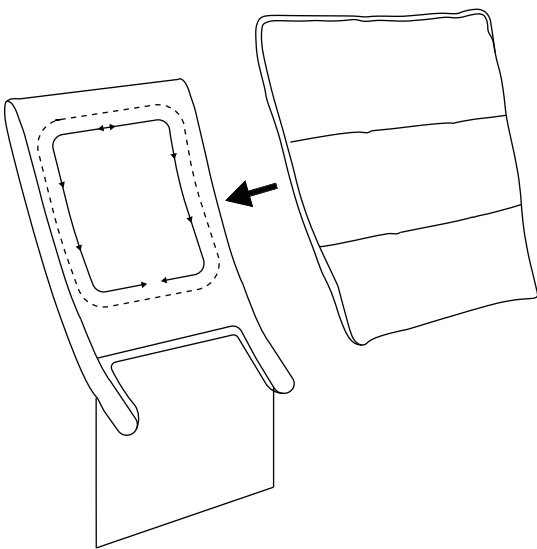


## Packing List

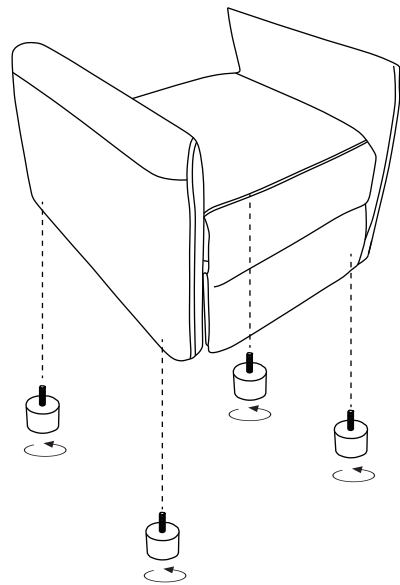
<b>(A)</b>  <b>Backrest</b> 1PC	<b>(B)</b>  <b>Backrest Cushion</b> 1PC	<b>(C)</b>  <b>Chair Foot</b> 1PC	<b>(D)</b>  <b>Chair Foot</b> 4PC
---	---	---	---

Step 1: Use the side zipper to install **(B)** onto **(A)**



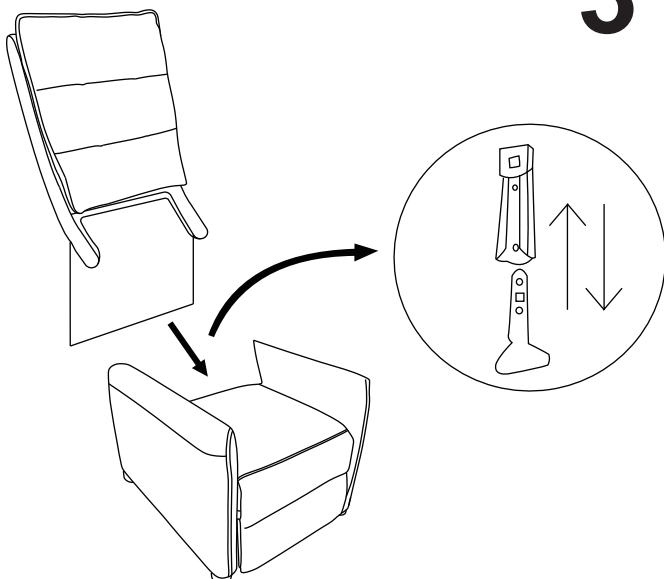
**1**

Step 2: Install the **(D)** onto bottom of **(C)**



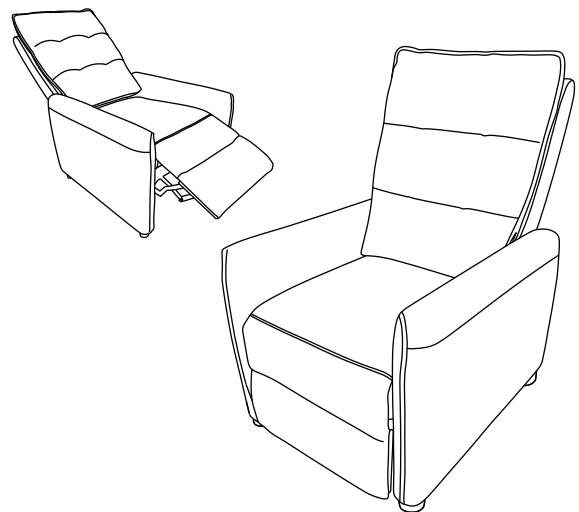
**2**

**3**



Step 3: Insert the **(A)** into top of **(B)**  
(Pay attention to aligning the slots)

**4**



Step 4: Assembly Done!