

# DUKE COUNTER STOOL

Assembly Instructions  
Instructions De Asambla  
Instructions d'Assemblée

## PARTS



A



B



C



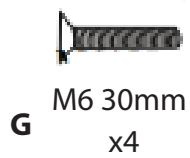
x2

D



E

M8 14mm  
x2



G

M6 30mm  
x4



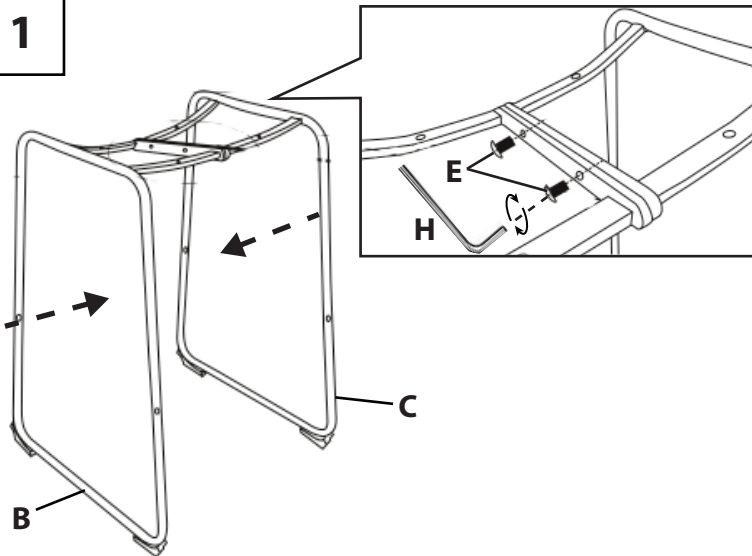
F

M6 22mm  
x4

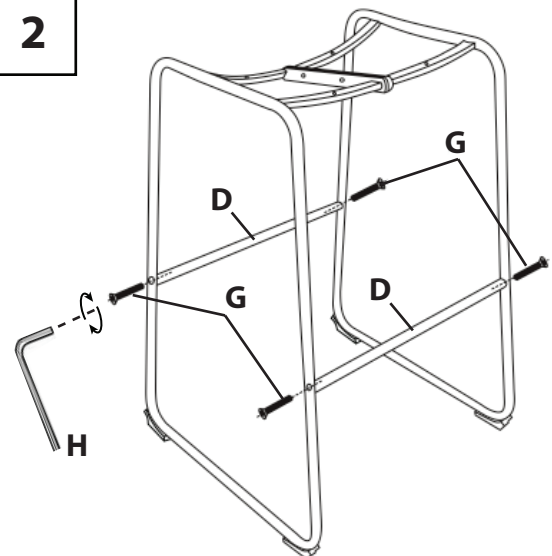


H

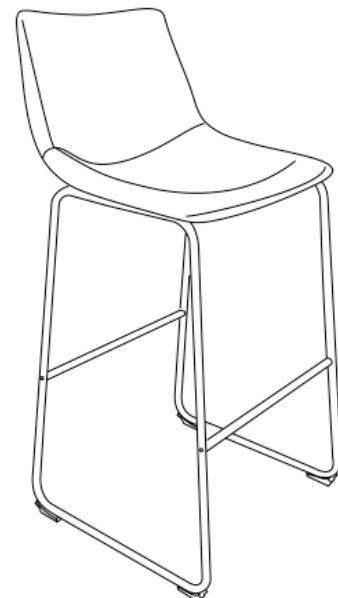
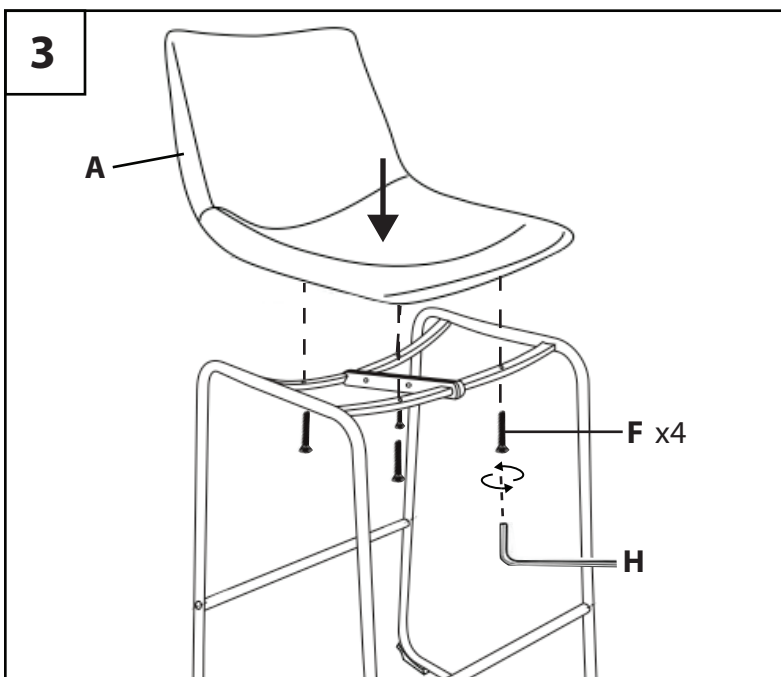
1



2



3



Do not over tighten.  
Do not use power tools to assemble.