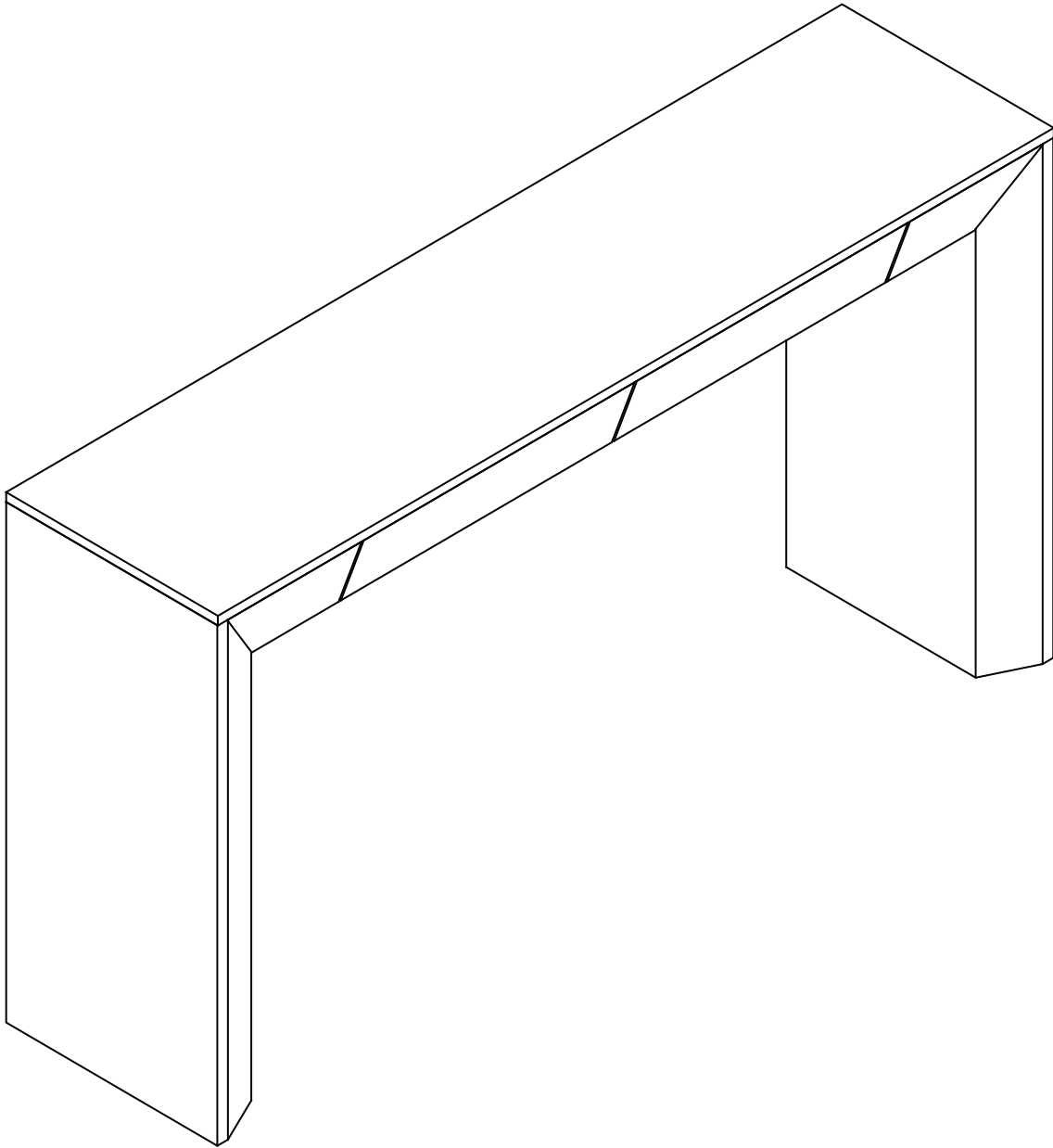


ASSEMBLY INSTRUCTION
ITEM:N715P289696
CONSOLE TABLE



ASSEMBLY INSTRUCTION

ITEM:N715P289696

Please read these instructions fully before starting assembly :

Tools required: Phillips screwdriver(medium & large)

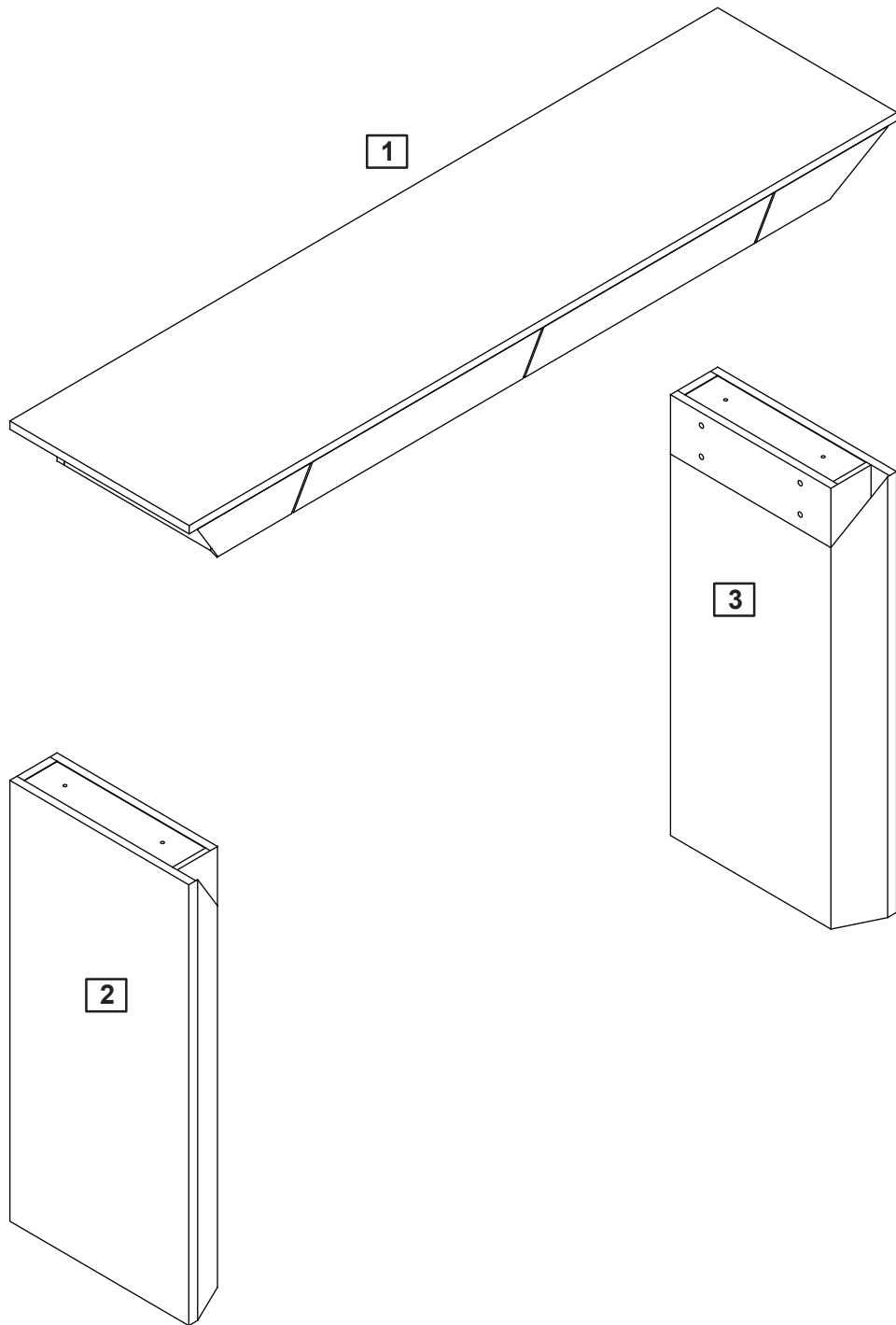
- 1.Check you have all the components and tools listed on the following pages.
- 2.Remove all fittings from the plastic bags and separate them into their groups.
- 3.Keep children and animals away from the work area, small parts could choke if swallowed.
- 4.Make sure you have enough space to layout the parts before starting.
- 5.During assembly do not stand or put weight on the product, this could cause damage.
- 6.Assemble the item as close to its final position (in the same room) as possible.
- 7.Assemble on a soft level surface to avoid damaging the unit or your floor.
- 8.Parts of the assembly will be easier with 2 people.
- 9.To reduce the likelihood of damaging your product please ensure that your power drill is set on a low torque setting.
- 10.Assemble all parts and bolts loosely during assembly, only once the product is complete should you fully tighten the bolts.
- 11.Regularly check and ensure That all bolts and fittings are tightend properly.
- 12.Please do not place items that exceed the load capacity.

Care and maintenance

Only clean using a damp cloth and mild detergent, do no use bleach or abrasive cleaners.

ASSEMBLY INSTRUCTION

ITEM:N715P289696

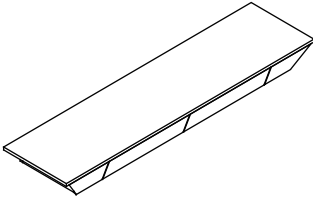
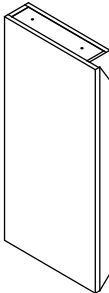
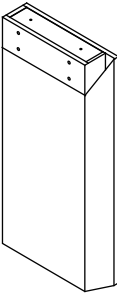


Part List

ITEM:N715P289696

Please check you have all the panels listed below

Note: The quantities below are the correct amount to complete the assembly. In some cases more fittings may be supplied than are required.

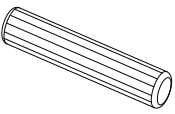
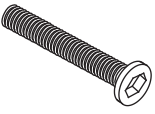
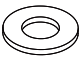

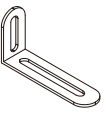
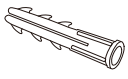
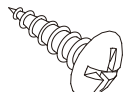
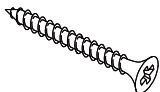
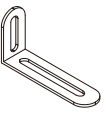
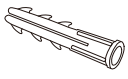
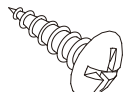
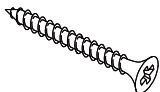
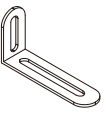
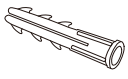
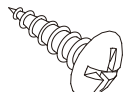
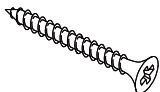
<p>①</p>  <p>Top Panel 1 PC</p>	<p>②</p>  <p>Left Side Panel 1 PC</p>	<p>③</p>  <p>Right Side Panel 1 PC</p>
--	--	--

Hardware list

ITEM:N715P289696

Please check you have all the panels listed below

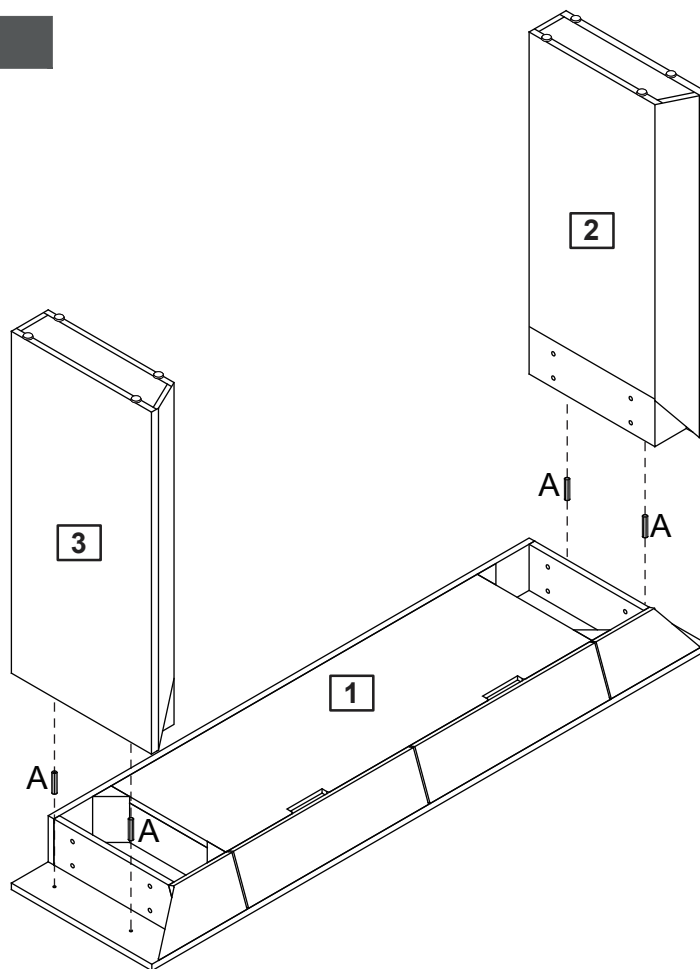
Note: The quantities below are the correct amount to complete the assembly. In some cases more fittings may be supplied than are required.

<p>A</p>  <p>Dowel x 4</p>	<p>B</p>  <p>Bolt x 8</p>	<p>C</p>  <p>Washer x 8</p>	<p>D</p>  <p>Allen Key x 1</p>							
<p>E</p> <table><tr><td data-bbox="140 936 268 1102"><p>E1</p></td><td data-bbox="290 1048 322 1079">+</td><td data-bbox="386 936 513 1102"><p>E2</p></td><td data-bbox="571 1048 603 1079">+</td><td data-bbox="657 936 785 1102"><p>E3</p></td><td data-bbox="858 1048 890 1079">+</td><td data-bbox="944 936 1104 1102"><p>E4</p></td></tr></table> <p>anti-tip bracket x 2 Screw x 2 wall anchor x 2 4*35mm Screw x 2</p>				<p>E1</p> 	+	<p>E2</p> 	+	<p>E3</p> 	+	<p>E4</p> 
<p>E1</p> 	+	<p>E2</p> 	+	<p>E3</p> 	+	<p>E4</p> 				

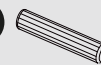
ASSEMBLY INSTRUCTION

ITEM:N715P289696

Step 1

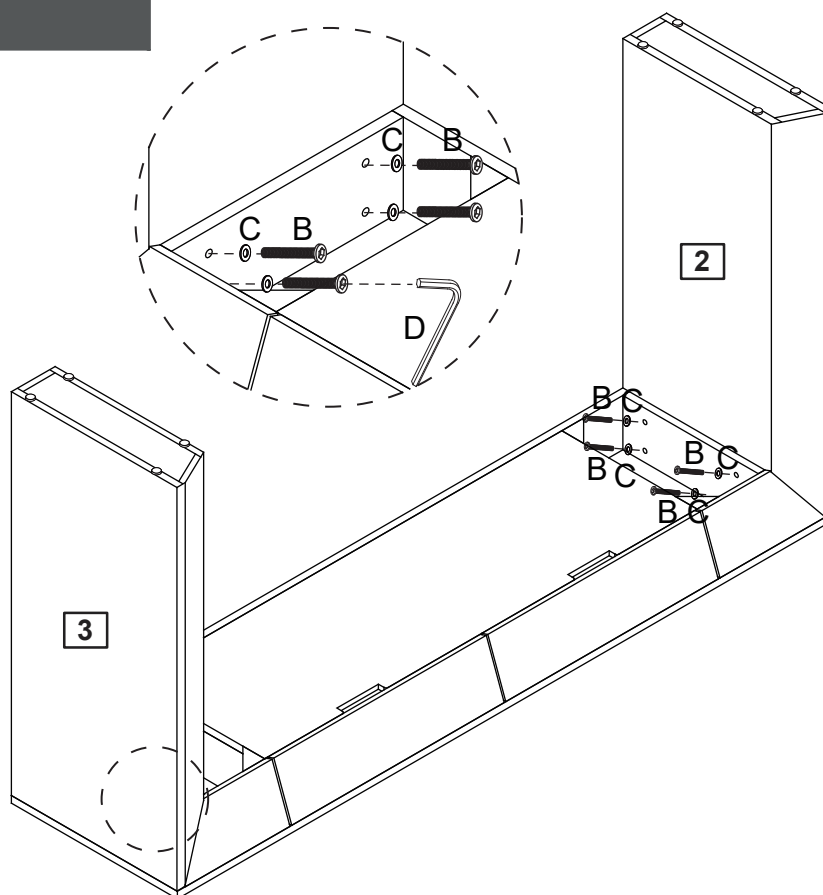


A



A x 4

Step 2



B



B x 8

C



C x 8

D

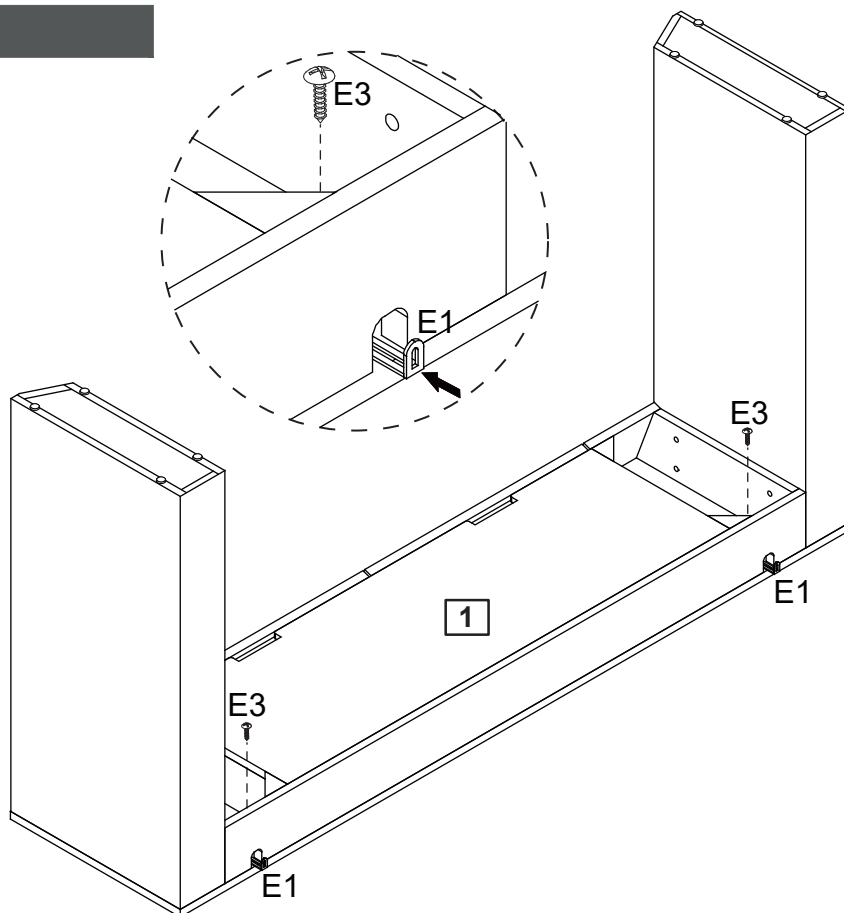


D x 1

ASSEMBLY INSTRUCTION

ITEM:N715P289696

Step 3



E1



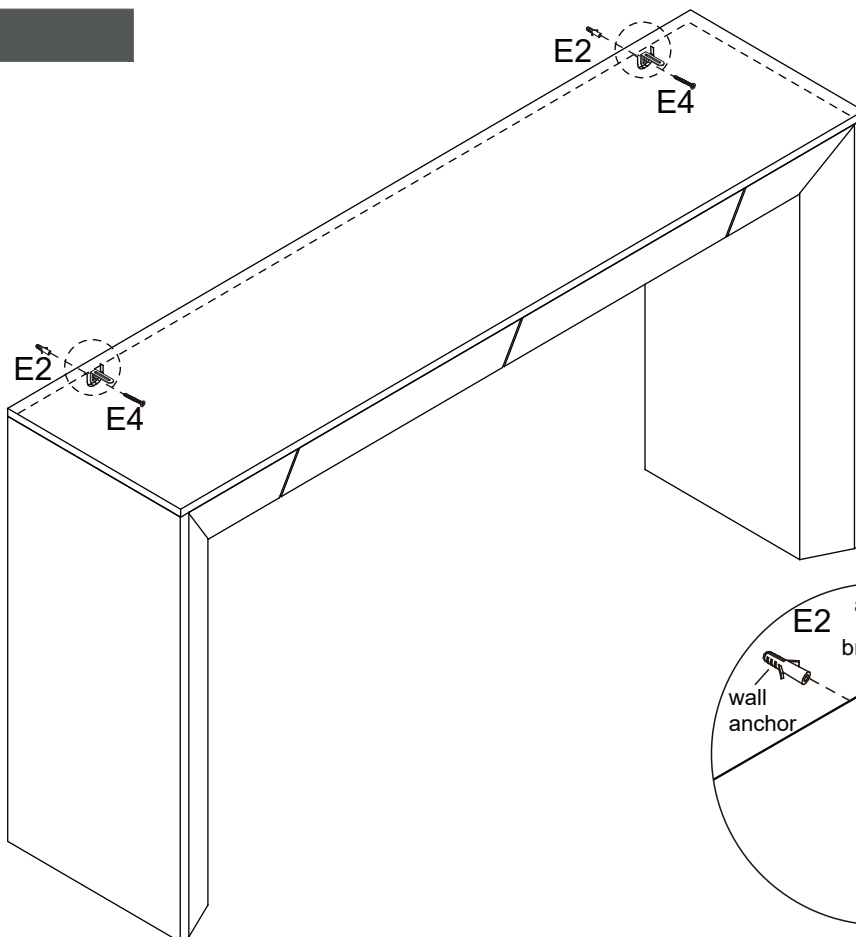
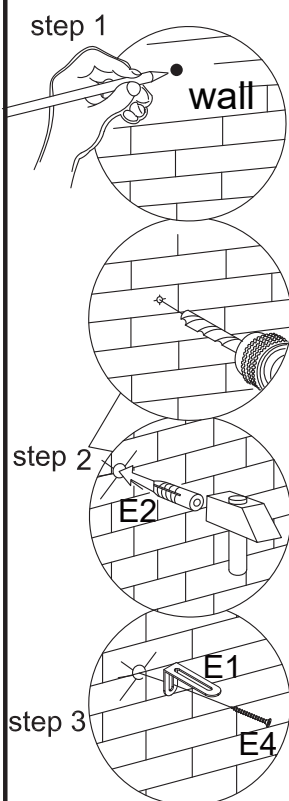
E1 x 2

E3



E3 x 2

Step 4



E2



L2 x 2

E4



L4 x 2

ASSEMBLY INSTRUCTION

ITEM:N715P289696

Step 5

