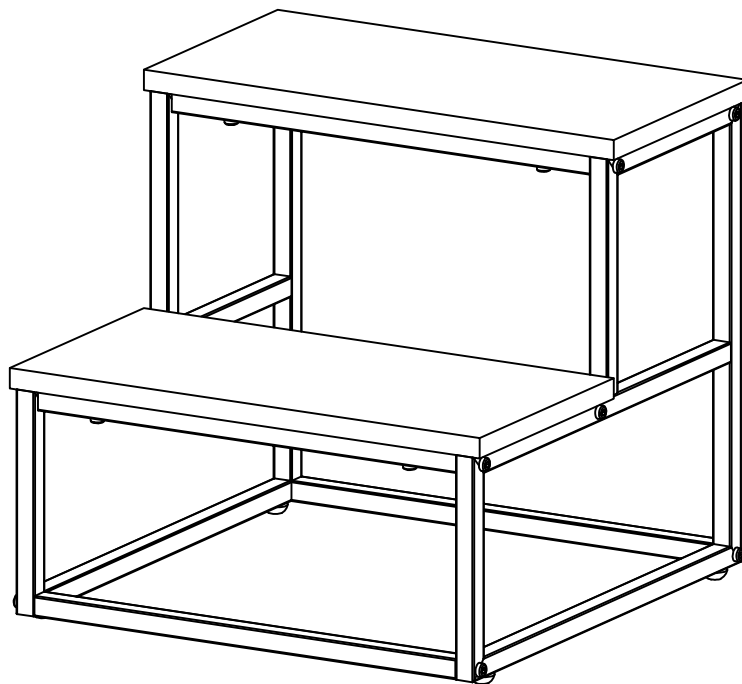


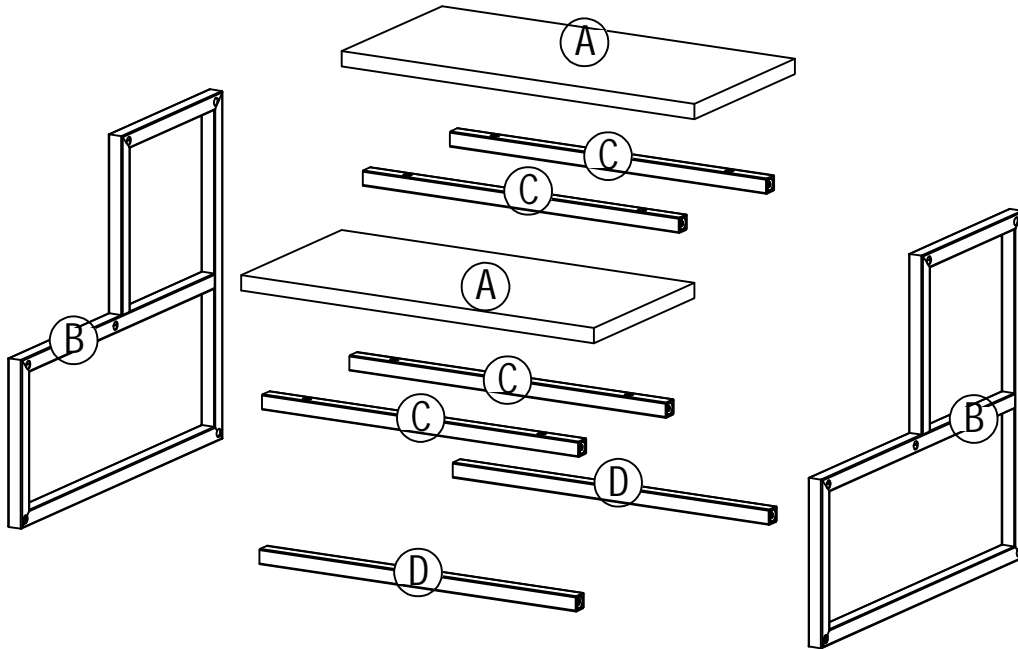
# Assembly Instructions



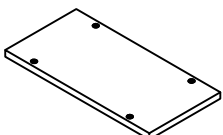
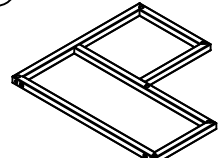

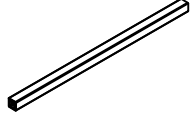
## NOTE TO CUSTOMERS:

- For ease and speed of assembly we recommend that before you commence each step of the assembly that you identify all the parts required to complete that step.
- We recommend that where possible you allow sufficient space to assemble the item as close as possible to the place where it will be once assembled.
- For the protection of your furniture we recommend that the product is placed on protected surfaces during assembly to prevent any damage.
- During assembly do not over tighten ,as this may damage the product.
- Please ensure you retain all the product packaging until the item completely assembled.
- Please periodically check all fittings and re-tighten as necessary.
- Never allow any liquids to remain on your furniture as absorption can cause the wood to warp or the finish to de-laminate.
- It is recommended that this item should be assembled by two adults.



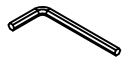
# Part List



## Part list

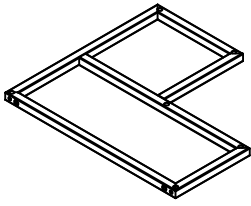
<p>(A)</p>  <p>Top Panel x 2</p>	<p>(B)</p>  <p>Side Frame x 2</p>	<p>(C)</p>  <p>Connecting Bar x 4</p>	<p>(D)</p>  <p>Connecting Bar x 2</p>
---	--	---	--

## Hardware list

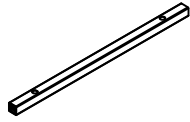
<p>① Bolt</p>  <p>M6*1"L x 20</p>	<p>② Bolt</p>  <p>M4*0.4"L x 4</p>	<p>③</p>  <p>x 1</p>			
--	---	---	--	--	--

# Assembly Instructions

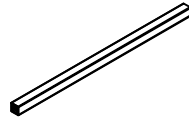
## Step 1



(B) x 2



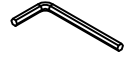
(C) x 4



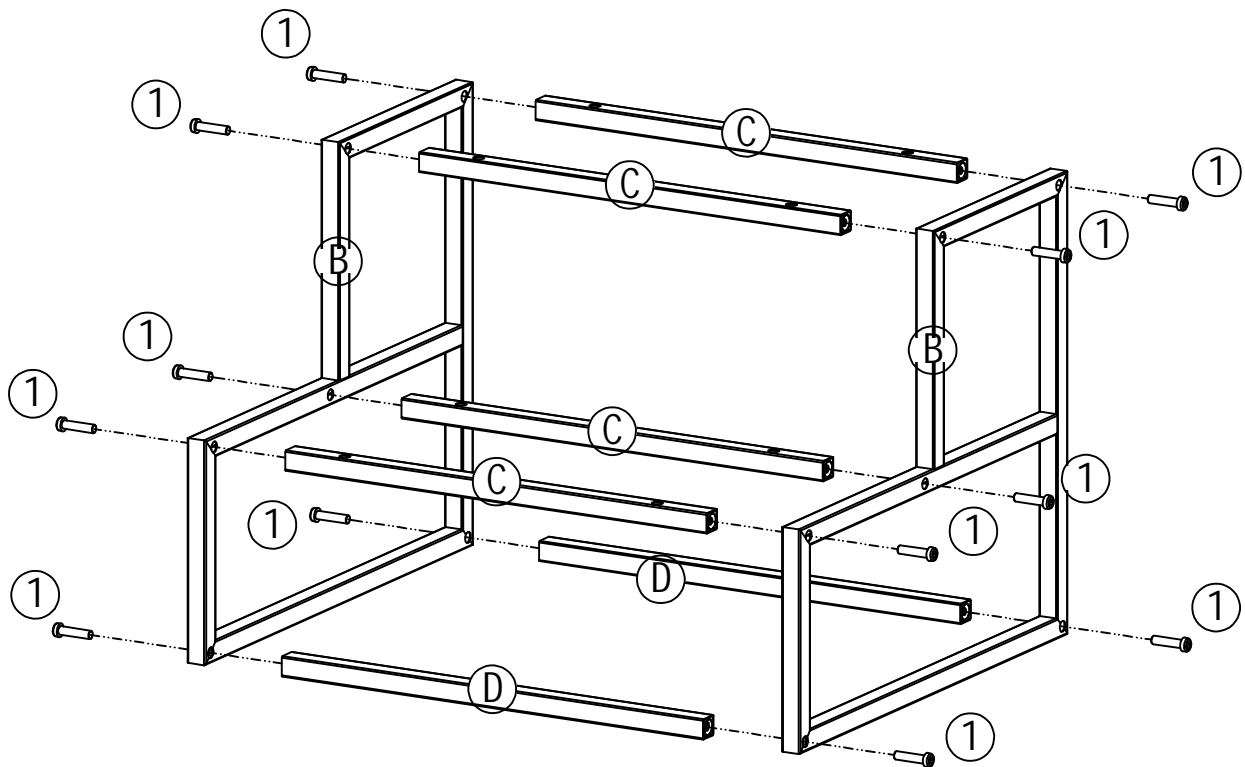
(D) x 2



(1) x 12



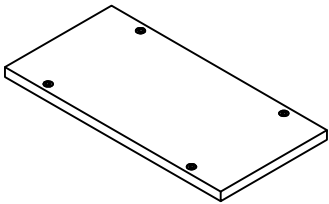
(3) x 1



Assemble Connecting Bars(C) &(D) to Side Frames(B) using Bolts (1) as shown above.

Note: Do not tighten bolts until all of them are attached.

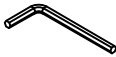
# Step 2



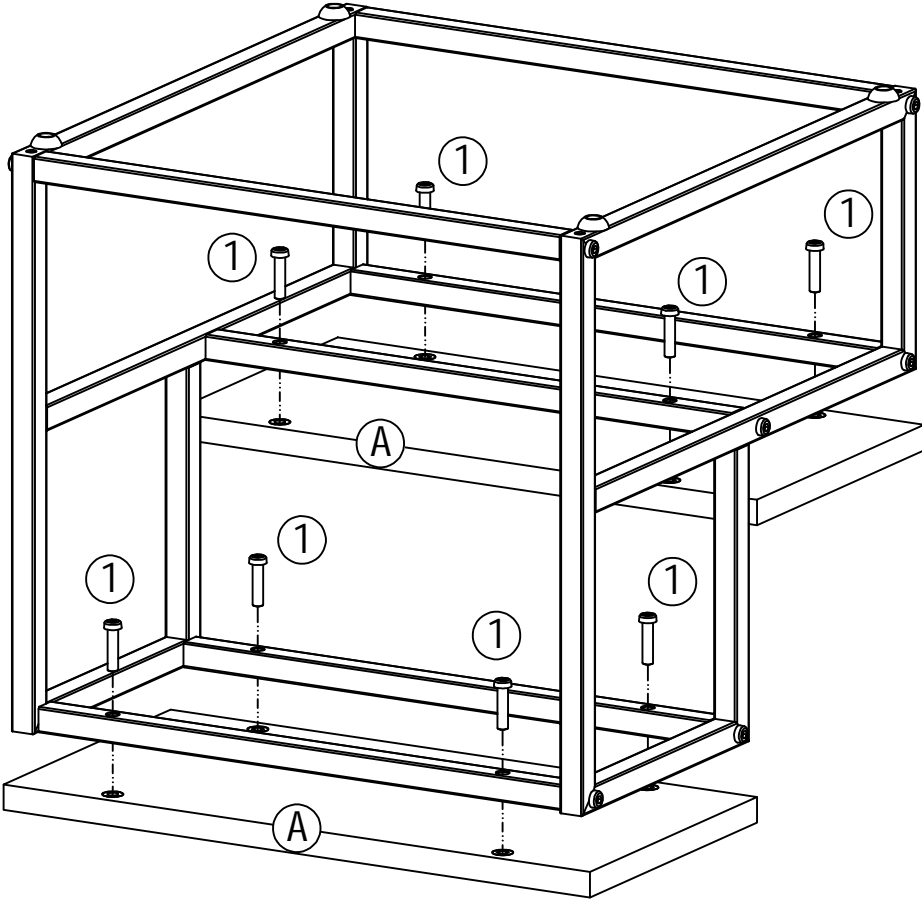
(A) x 2



(1) x 8



(4) x 1



Assemble Top Panels(A) to Connecting Bars(C) using Bolts(1) as shown above.