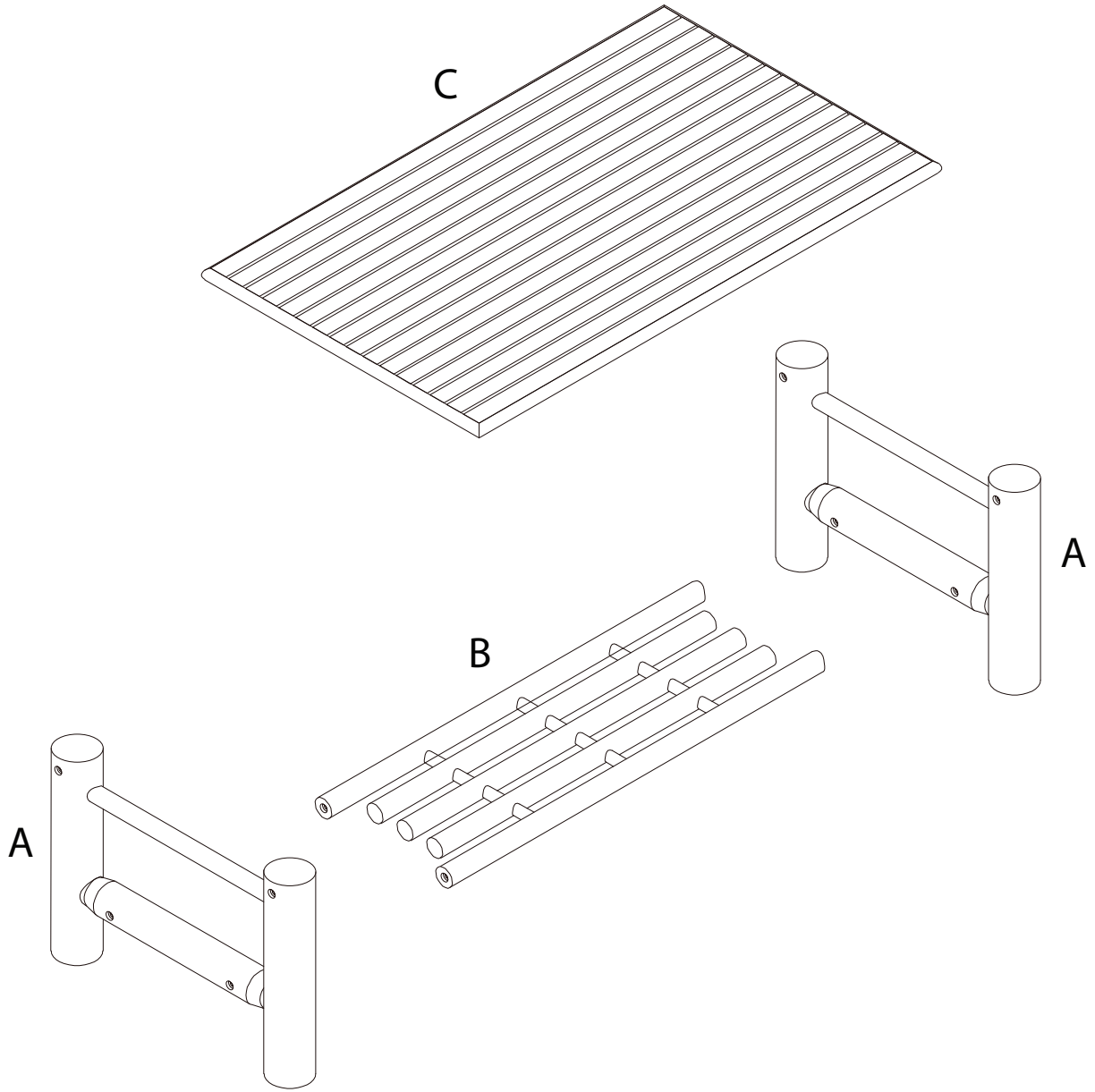
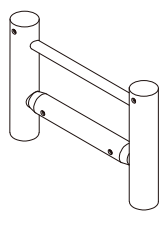
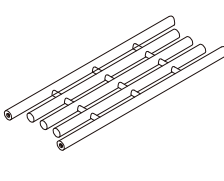
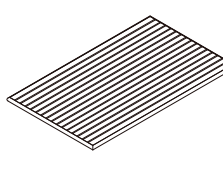
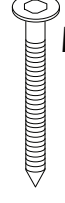
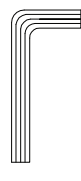
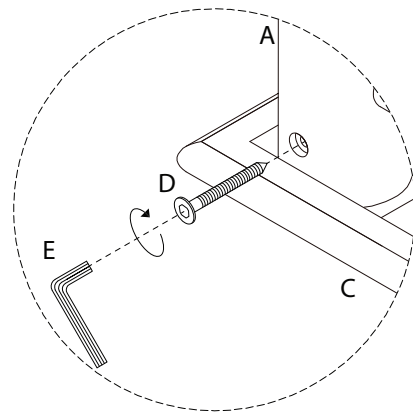
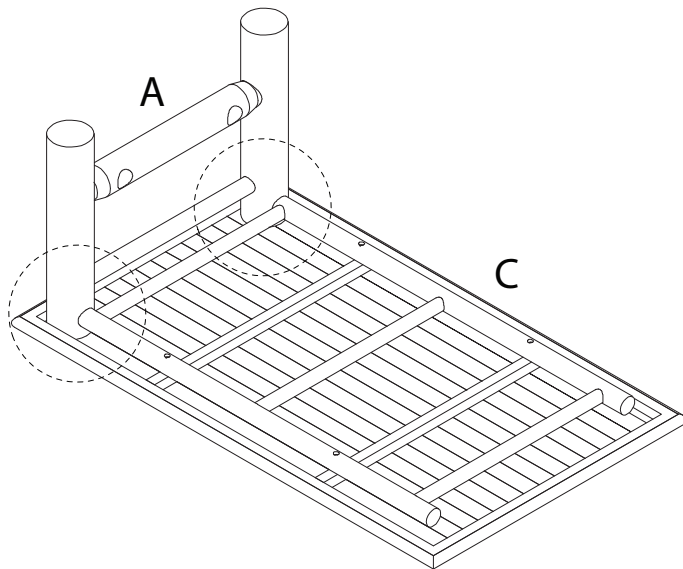
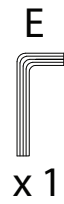
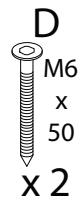
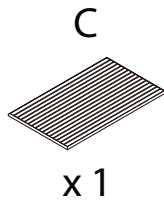
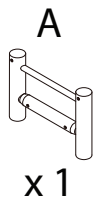


A

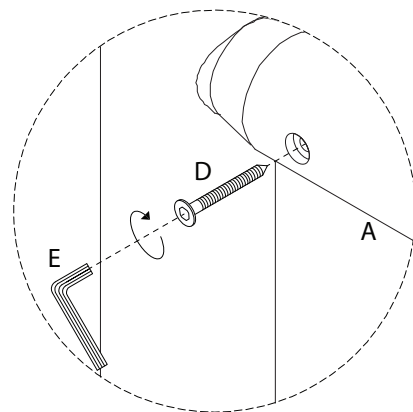
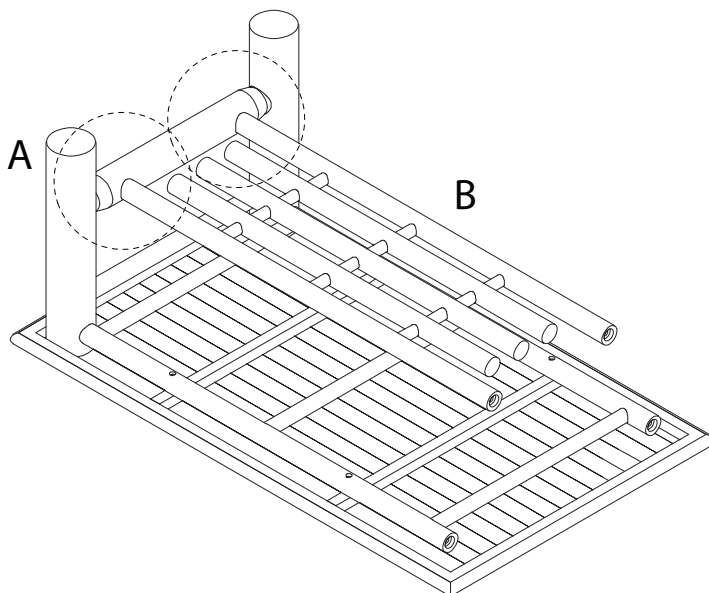
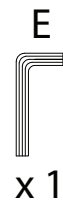
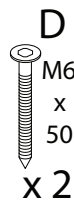
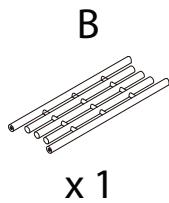


A	B	C	D	E
			 <p>M6 x 50</p>	
x 2	x 1	x 1	x 8	x 1

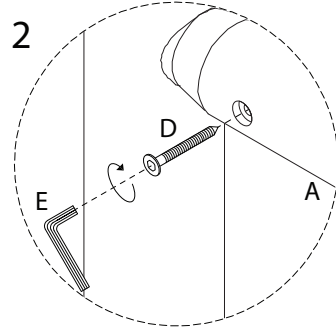
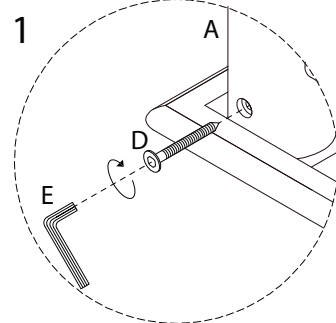
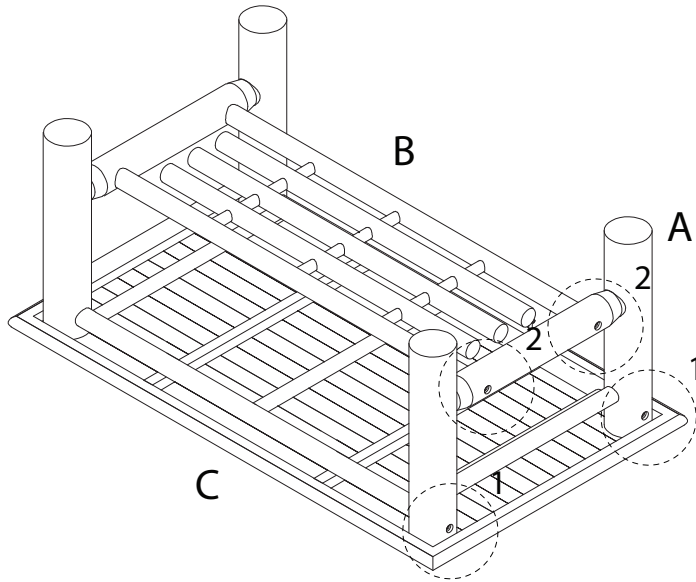
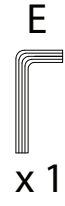
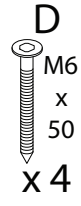
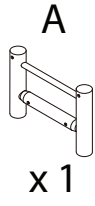
1



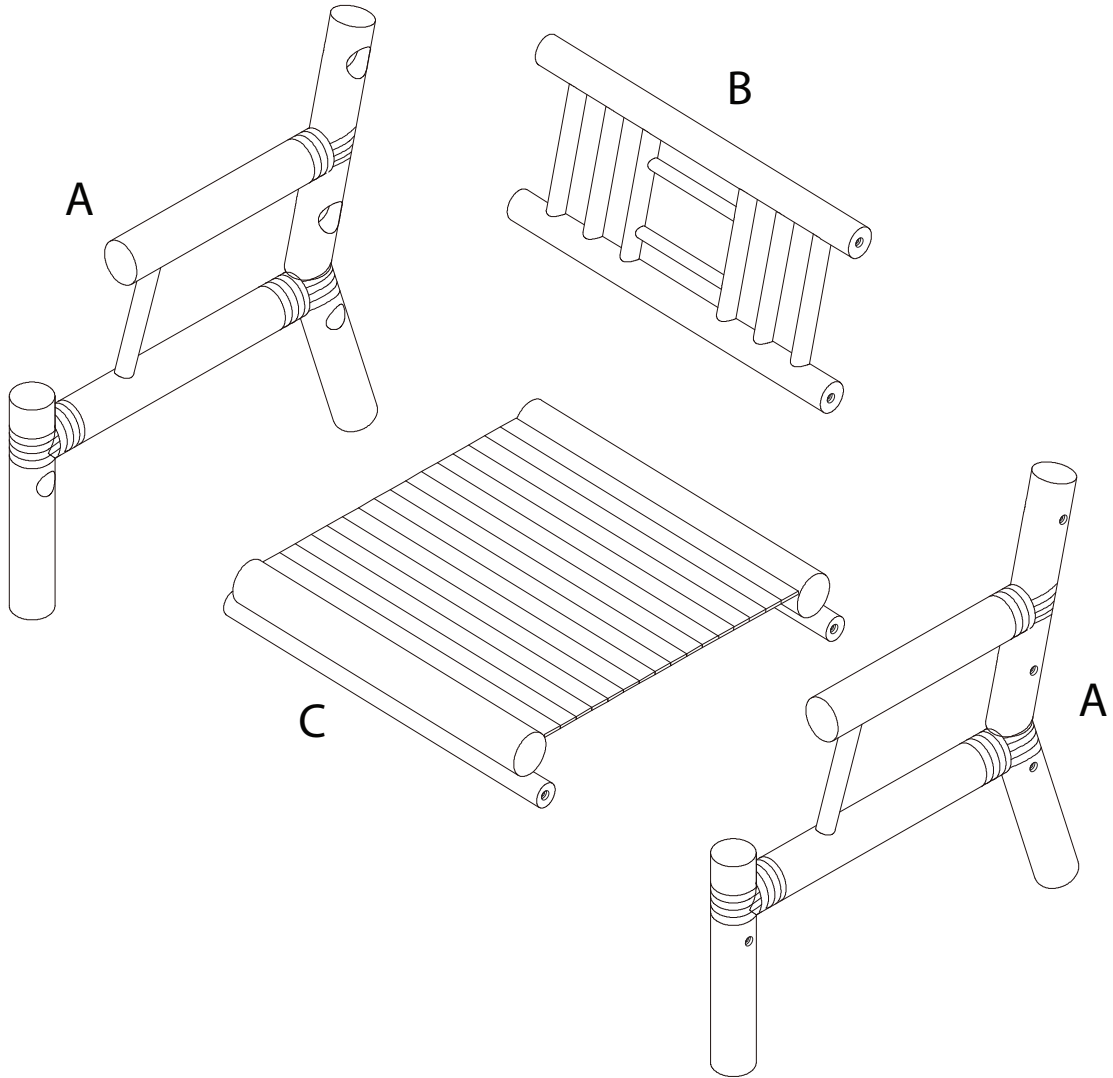
2

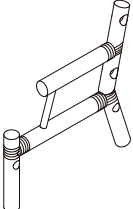
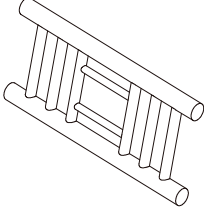
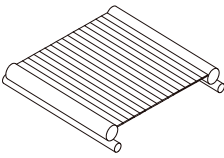
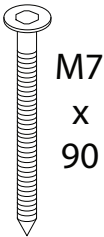
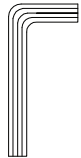


3

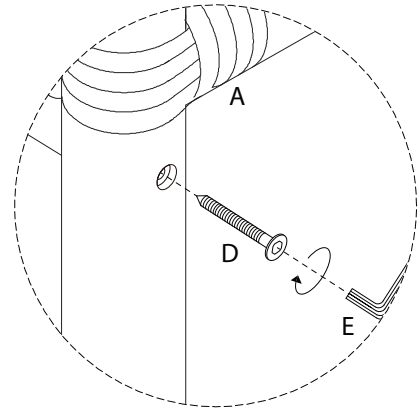
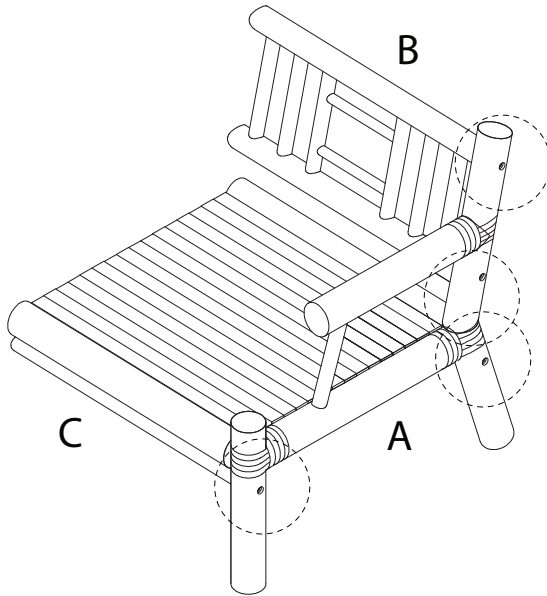
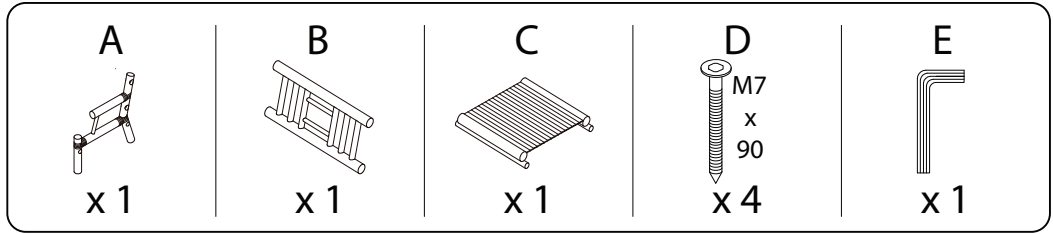


B x 2

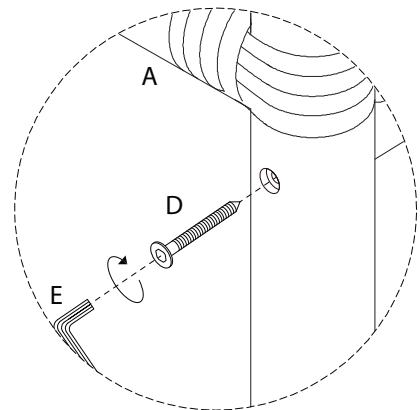
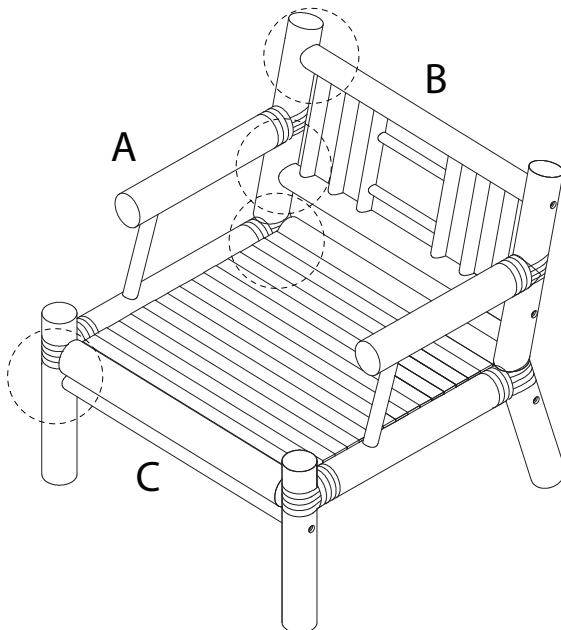
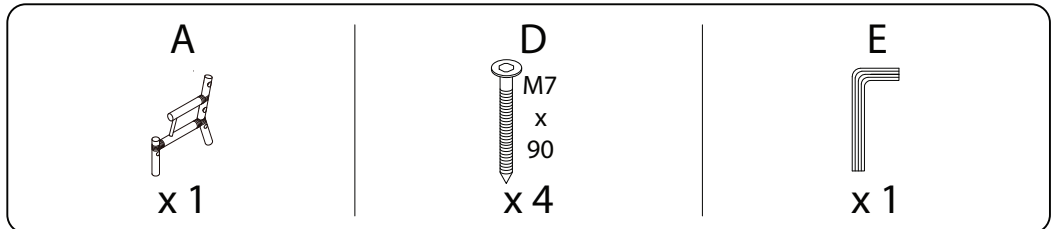


A	B	C	D	E
			 M7 x 90	
x 2	x 1	x 1	x 8	x 1

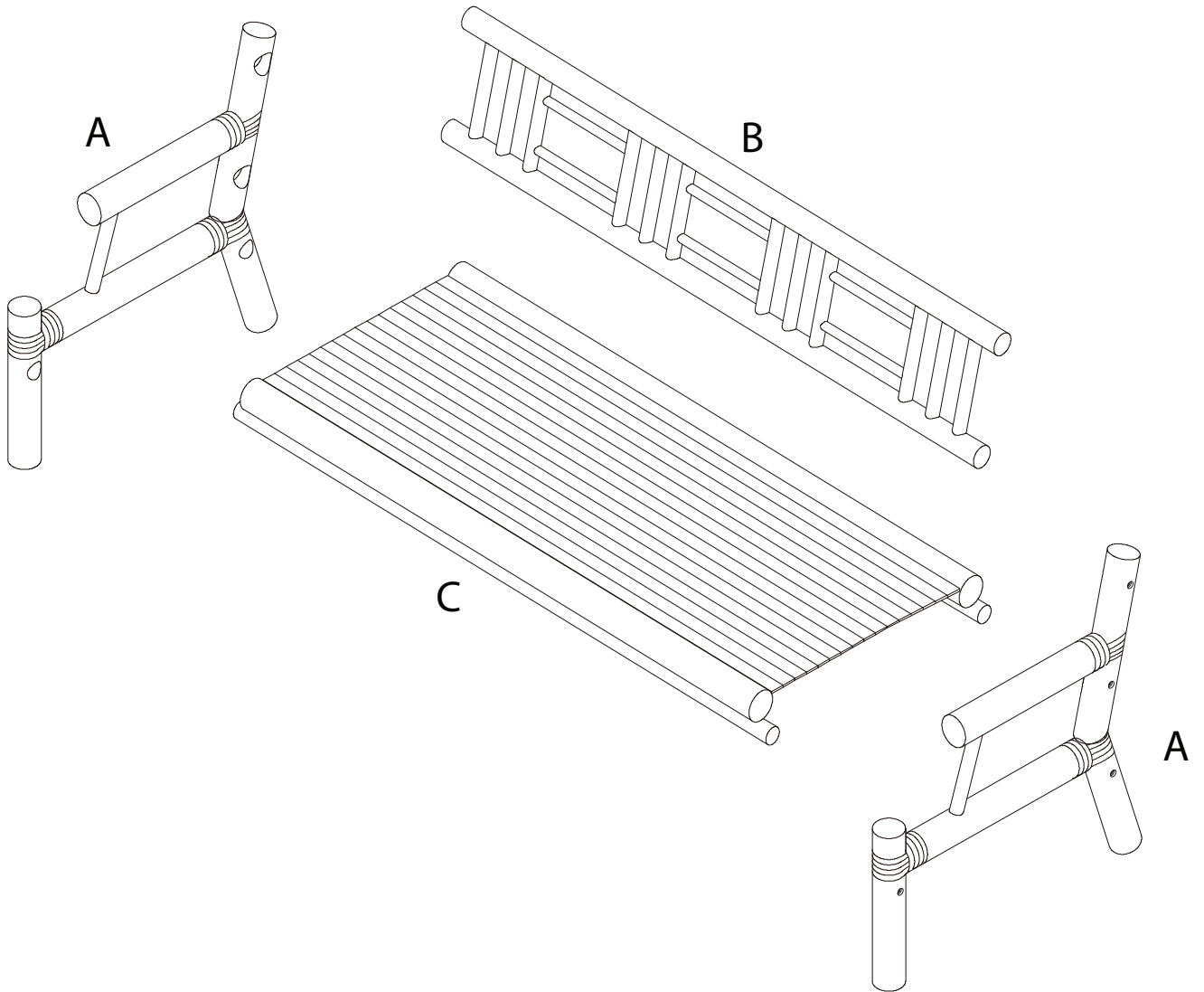
1

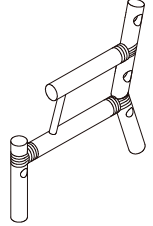
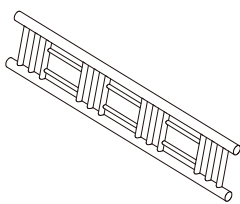
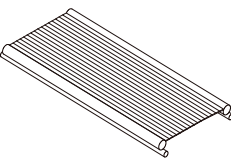
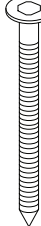
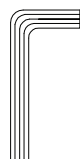


2

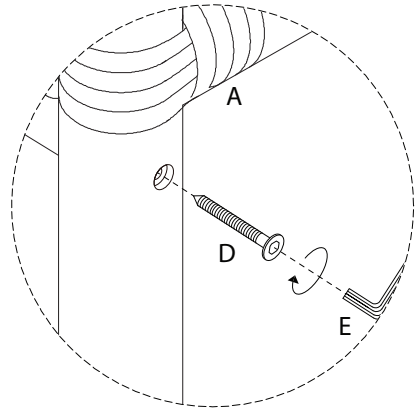
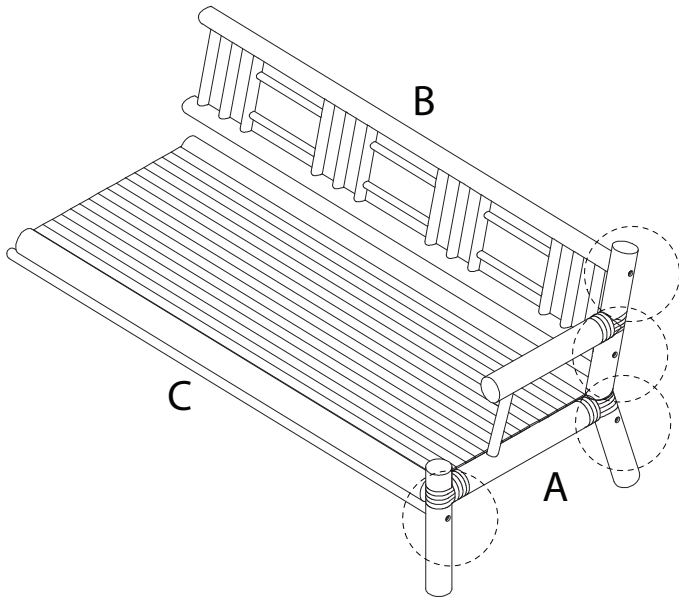
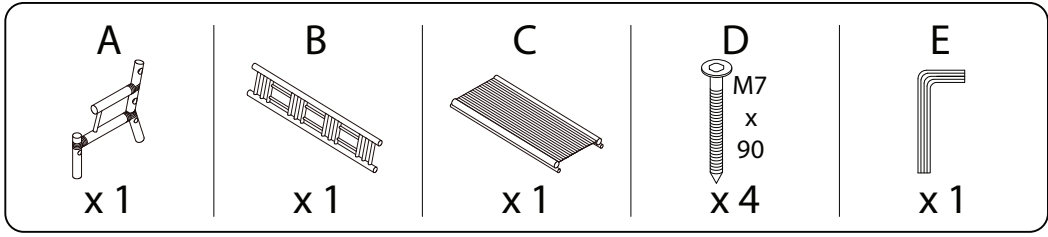


C



A	B	C	D	E
 x 2	 x 1	 x 1	 M7 x 90 x 8	 x 1

1



2

