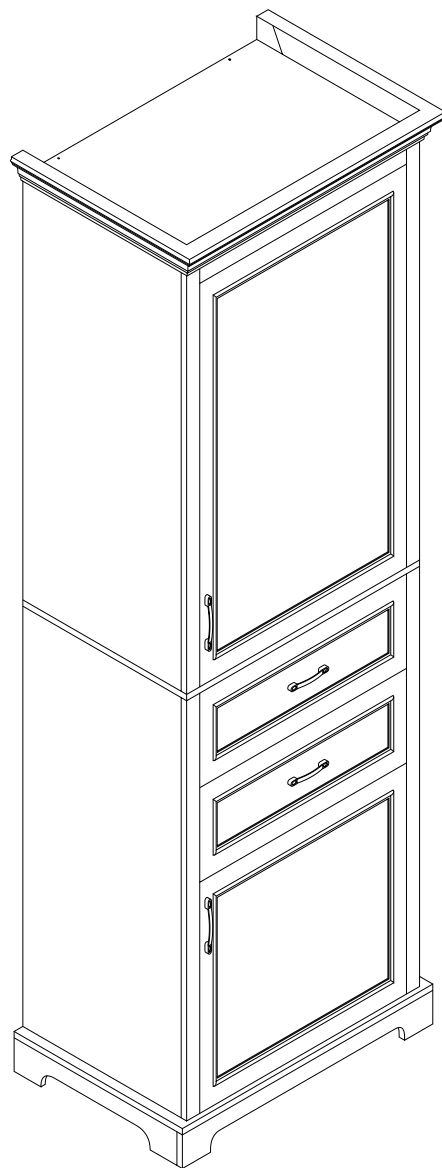


# STORAGE CABINET

Assembly Instructions - Please keep for future reference



Important – Please read these instructions fully before starting assembly



# Safety and Care Advice

**Important – Please read these instructions fully before starting assembly**

- Check you have all the components and tools listed on the following pages.
- Remove all fittings from the plastic bags and separate them into their groups.
- Keep children and animals away from the work area, small parts could choke if swallowed.
- Make sure you have enough space to layout the parts before starting.

- During assembly do not stand or put weight on the product, this could cause damage.
- Assemble the item as close to its final position (in the same room) as possible.
- Assemble on a soft level surface to avoid damaging the unit or your floor.
- Parts of the assembly will be easier with 2 people.



power drill is set on a low torque setting.

- To reduce the likelihood of damaging your product please ensure that your

## Care and maintenance

- Only clean using a damp cloth and mild detergent, do not use bleach or abrasive cleaners.

- From time to time check that there are no loose screws on this unit.

- This product should not be discarded with household waste. Take to your local authority waste disposal centre.

## Handy Hints

- Assemble all parts and bolts loosely during assembly, only once the product is complete should you fully tighten the bolts

- Regularly check and ensure that all bolts and fittings are tightened properly.

**WARNING**  
**In order to help prevent overturning – please follow these instructions**

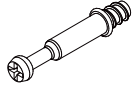
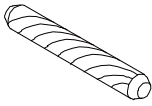

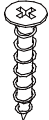

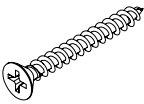




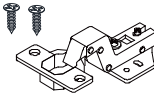

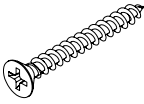
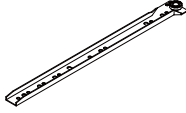
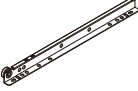

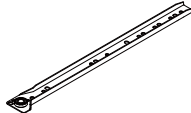
To help prevent product toppling over please follow the below steps:-

- Use the anti tip stap or wall fixing method provided (if applicable)
- Do not allow children to climb or hang on the furniture
- Do not open more than one drawer at a time
- Do not place heavy items in the top drawers
- Do not place heavy items on top of the furniture, unless the furniture has been designed for this purpose

# Components - Fittings

Please check you have all the panels listed below

Note: The quantities below are the correct amount to complete the assembly. In some cases, more fittings may be supplied than required.

<p>(A)</p>  <p>Cam Bolt x 48</p>	<p>(B)</p>  <p>6*30mm Dowel x 53</p>	<p>(C)</p>  <p>Cam lock x 48</p>	<p>(D)</p>  <p>4*25mm Screw x 4</p>
<p>(E)</p>  <p>6*50mm Dowel x 4</p>	<p>(F)</p>  <p>4*40mm Screw x 50</p>	<p>(G)</p>  <p>4*20mm Handle x 2SET</p>	<p>(H)</p>  <p>3*12mm Screw x 16</p>
<p>(I)</p>  <p>Anti-fall accessories x2</p>	<p>(J)</p>  <p>Shelf support pin x 4</p>	<p>(K)</p>  <p>4*14mm Straight bend hinge x 4set</p>	<p>(L)</p>  <p>4*10mm Handle x 2SET</p>
<p>(M)</p>  <p>4*35mm Screw x 4</p>	<p>(CR)</p>  <p>300mm runner x 2</p>	<p>(DR)</p>  <p>300mm runner x 2</p>	<p>(DL)</p>  <p>300mm runner x 2</p>
<p>(CL)</p>  <p>300mm runner x 2</p>			

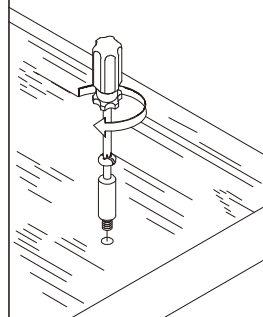
# Using Camlocks

## Step 1

Connect the male camlock as directed in the assembly instructions using a screwdriver.

1

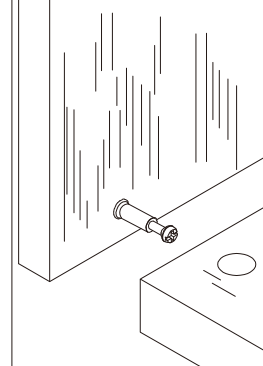
DO NOT OVER TIGHTEN.  
NE PAS SERRER EXCESSIVEMENT.



## Step 2

Push the male camlock into the entry hole.

2

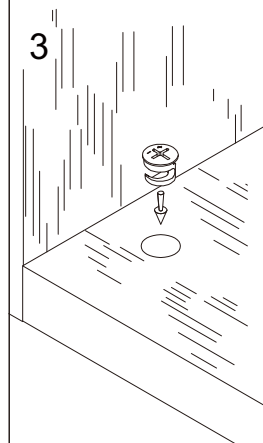


## Step 3

Insert the female camlock as shown in the instruction.

Note : ensure that the arrow on the top of the camlock points towards the entry hole for the male camlock.

3



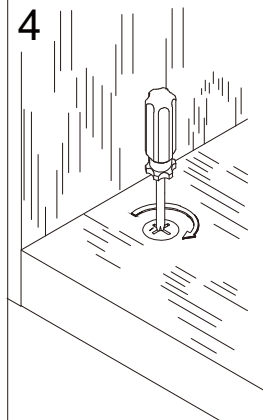
## Step 4

Turn the female camlock clockwise with a screwdriver.

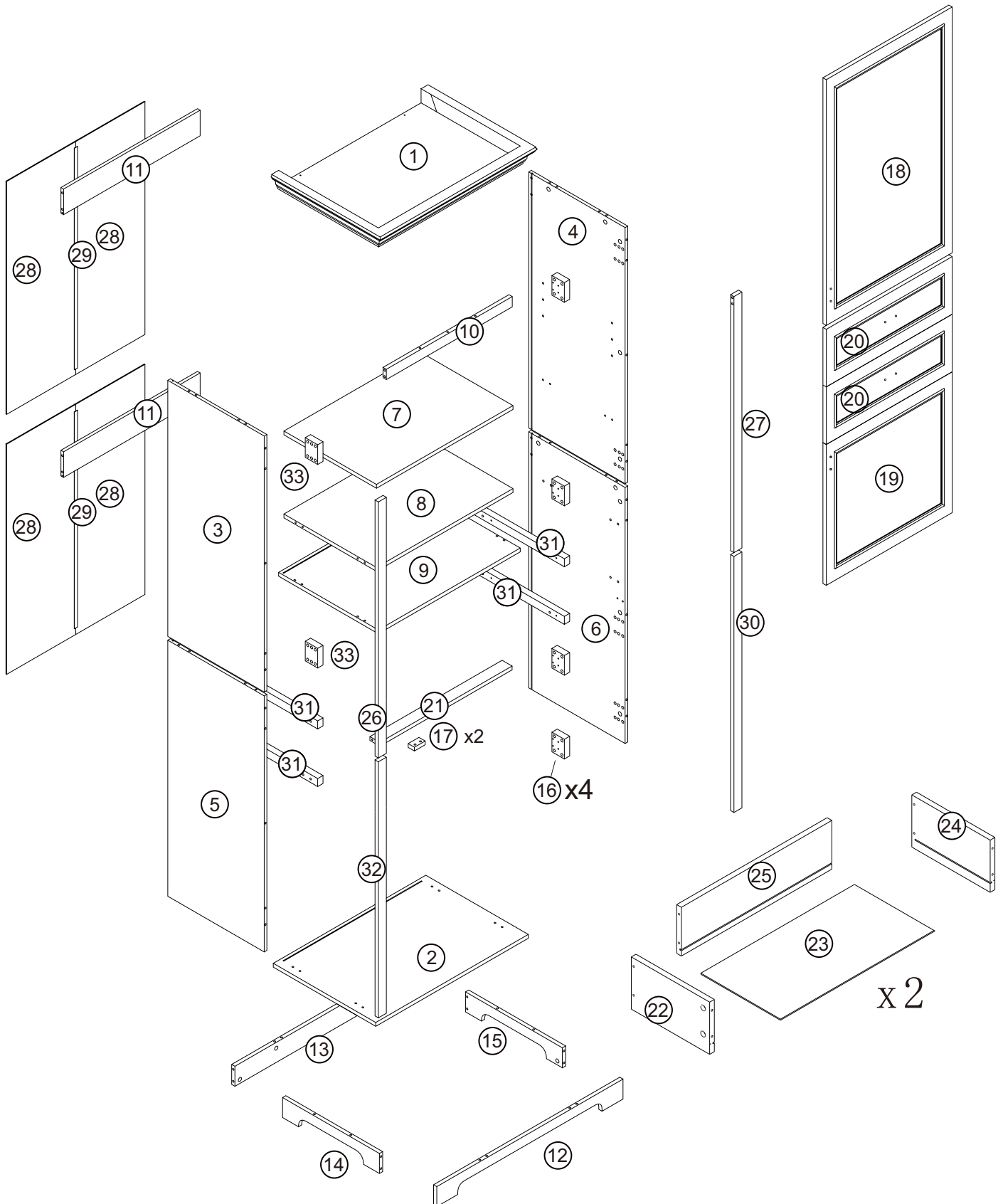
You should feel a click when the camlock is locked in place.

The joint is now secure.

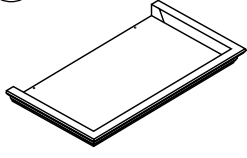
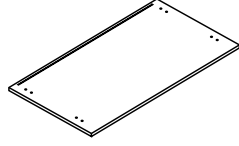

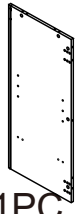
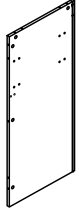

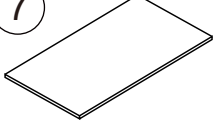
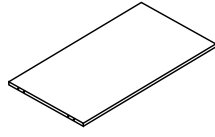
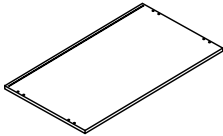
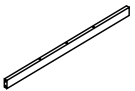
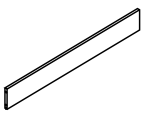
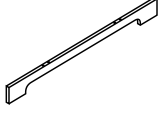
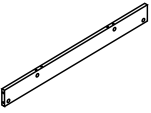


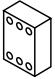
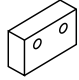
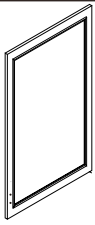
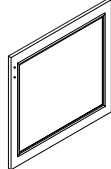
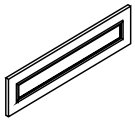
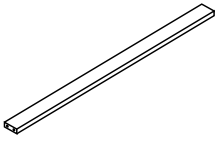
4



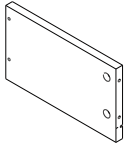
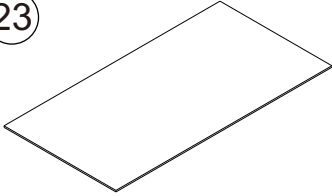
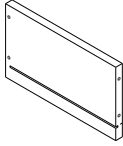
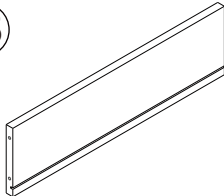





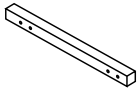

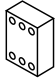
# Assembly Instructions



# Assembly Instructions

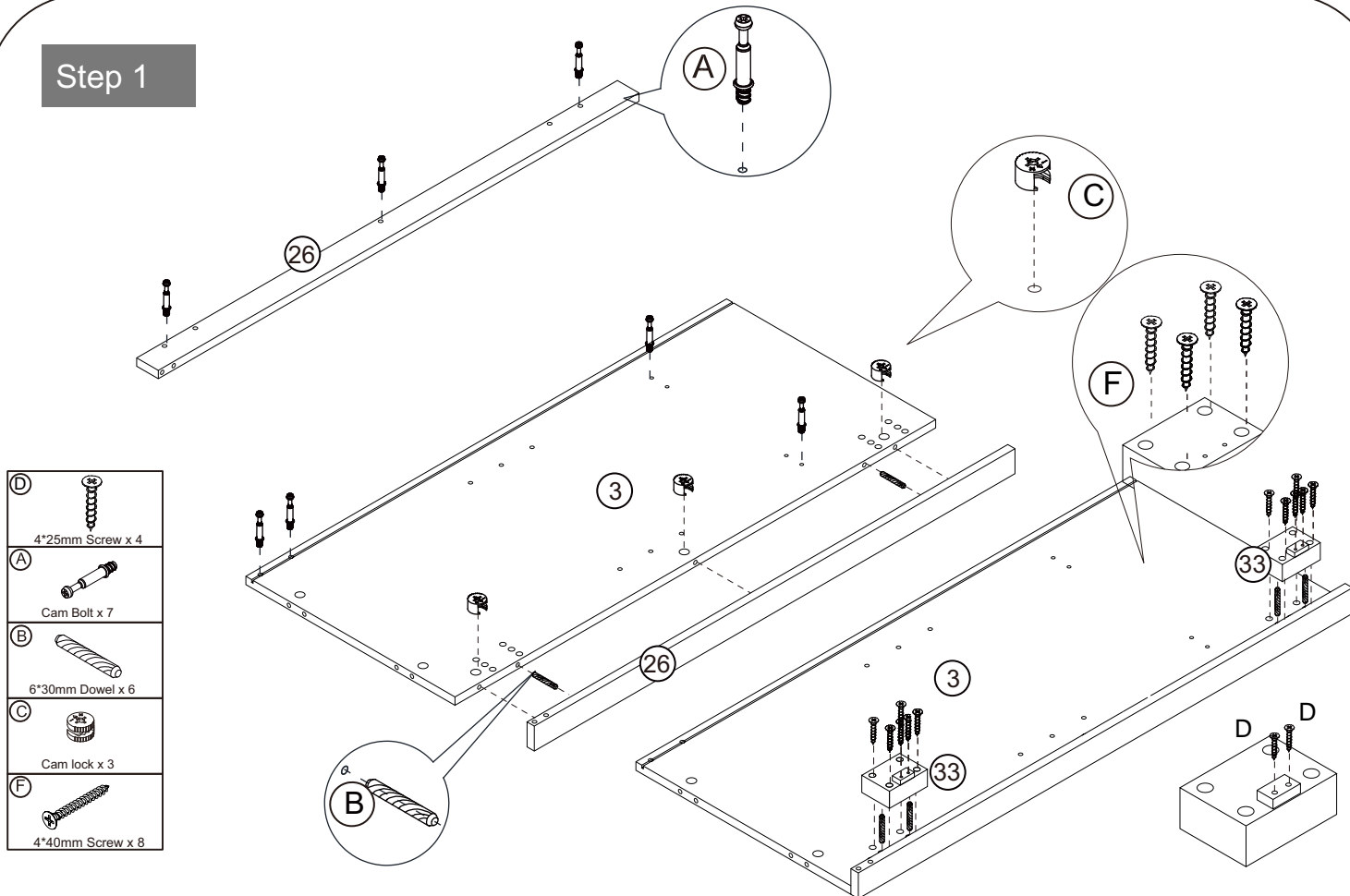
<p>1</p>  <p>1PC</p>	<p>2</p>  <p>1PC</p>	<p>3</p>  <p>1PC</p>
<p>4</p>  <p>1PC</p>	<p>5</p>  <p>1PC</p>	<p>6</p>  <p>1PC</p>
<p>7</p>  <p>1PC</p>	<p>8</p>  <p>1PC</p>	<p>9</p>  <p>1PC</p>
<p>10</p>  <p>1PC</p>	<p>11</p>  <p>2PC</p>	<p>12</p>  <p>1PC</p>
<p>13</p>  <p>1PC</p>	<p>14</p>  <p>1PC</p>	<p>15</p>  <p>1PC</p>
<p>16</p>  <p>4PC</p>	<p>17</p>  <p>2PC</p>	<p>18</p>  <p>1PC</p>
<p>19</p>  <p>1PC</p>	<p>20</p>  <p>2PC</p>	<p>21</p>  <p>1PC</p>

# Assembly Instructions

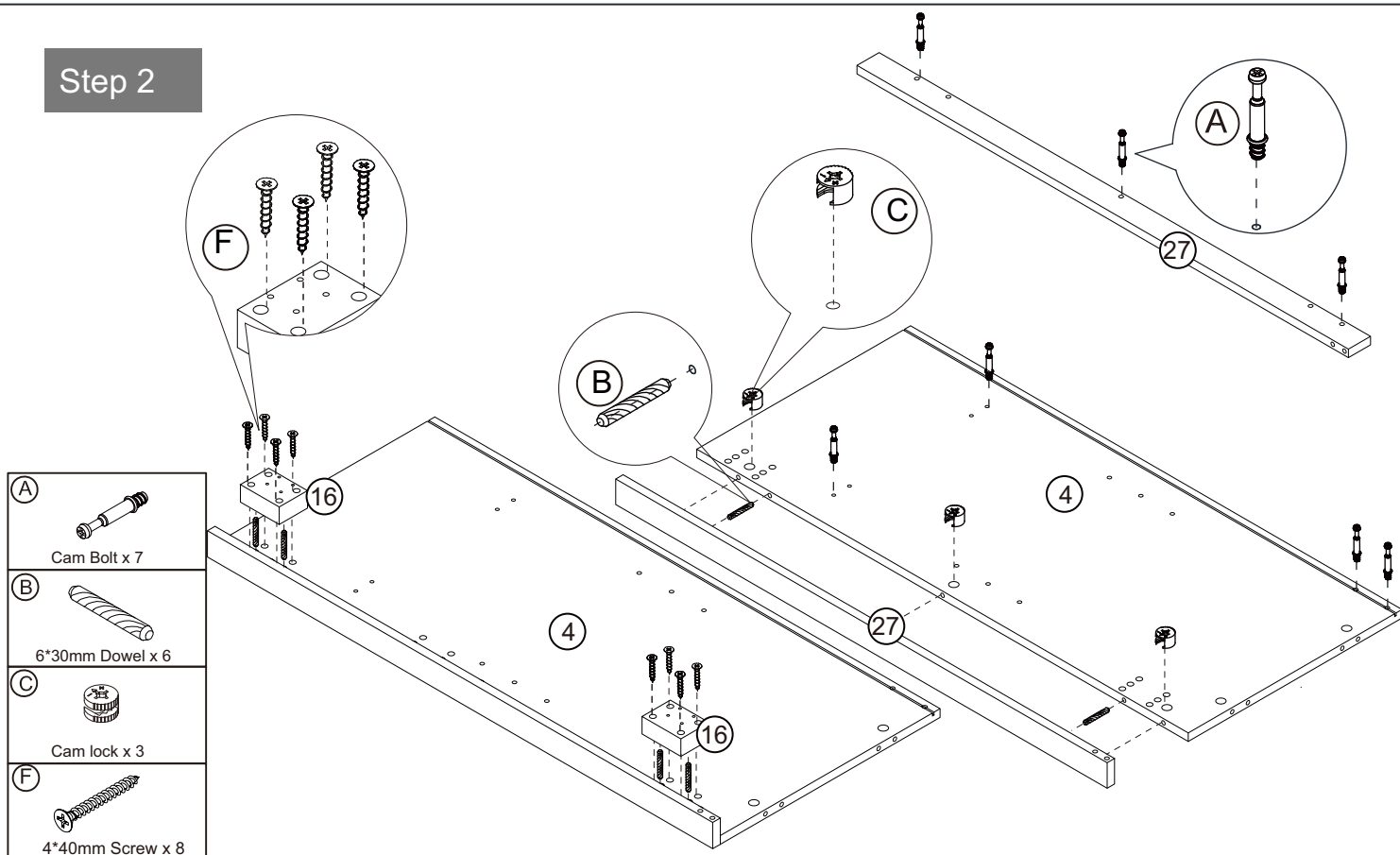
<p>22</p>  <p>2PC</p>	<p>23</p>  <p>2PC</p>	<p>24</p>  <p>2PC</p>
<p>25</p>  <p>2PC</p>	<p>26</p>  <p>1PC</p>	<p>27</p>  <p>1PC</p>
<p>28</p>  <p>4PC</p>	<p>29</p>  <p>2PC</p>	<p>30</p>  <p>1PC</p>
<p>31</p>  <p>4PC</p>	<p>32</p>  <p>1PC</p>	<p>33</p>  <p>2PC</p>

# Assembly Instructions

## Step 1

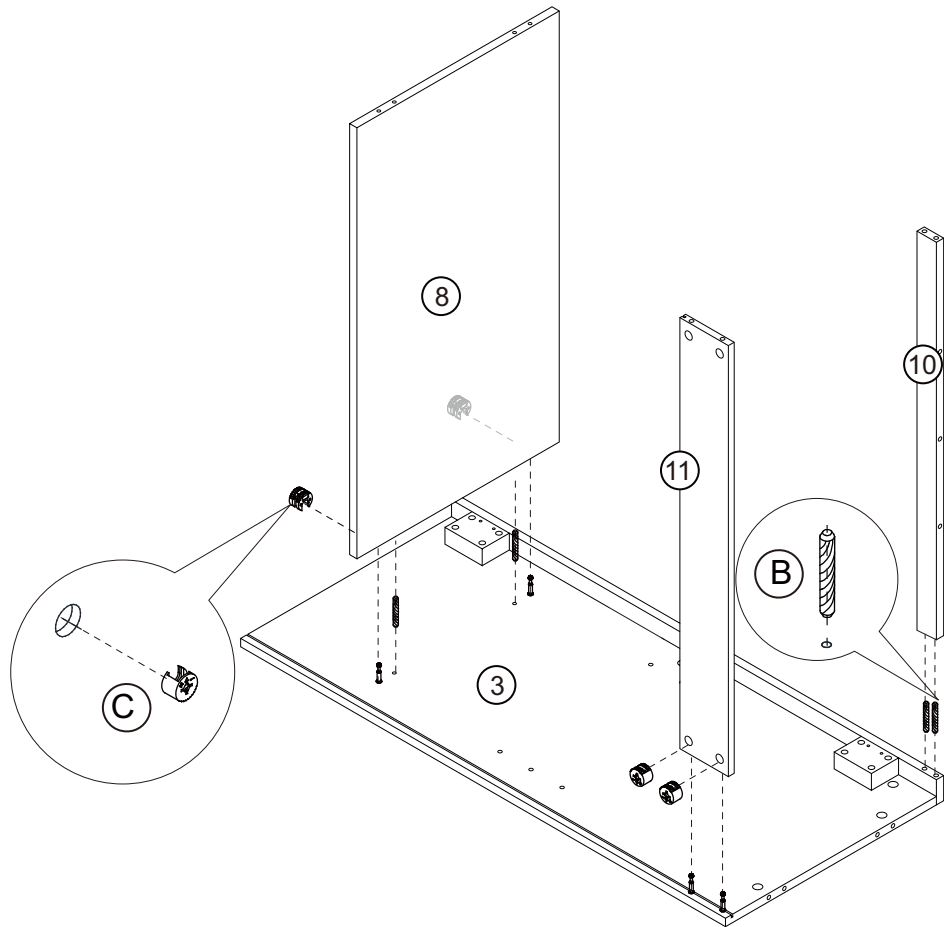
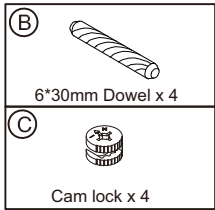


## Step 2

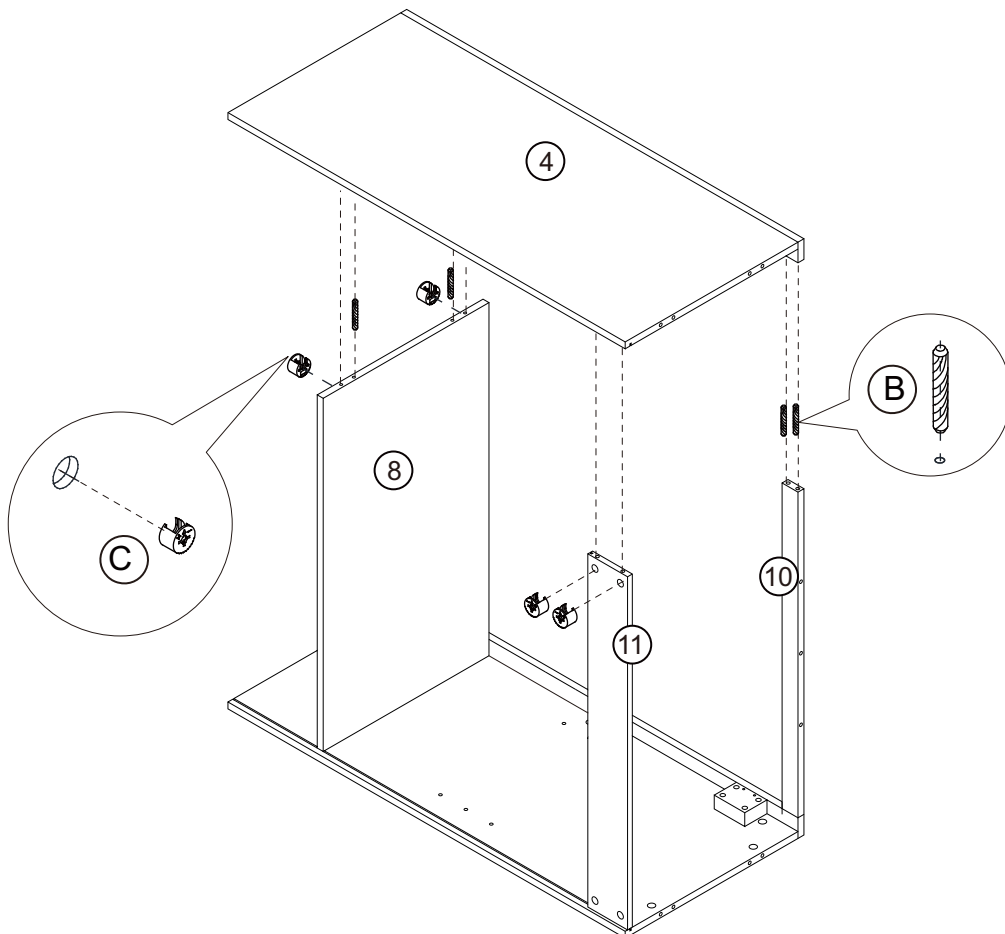
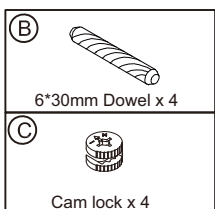


# Assembly Instructions

## Step 3

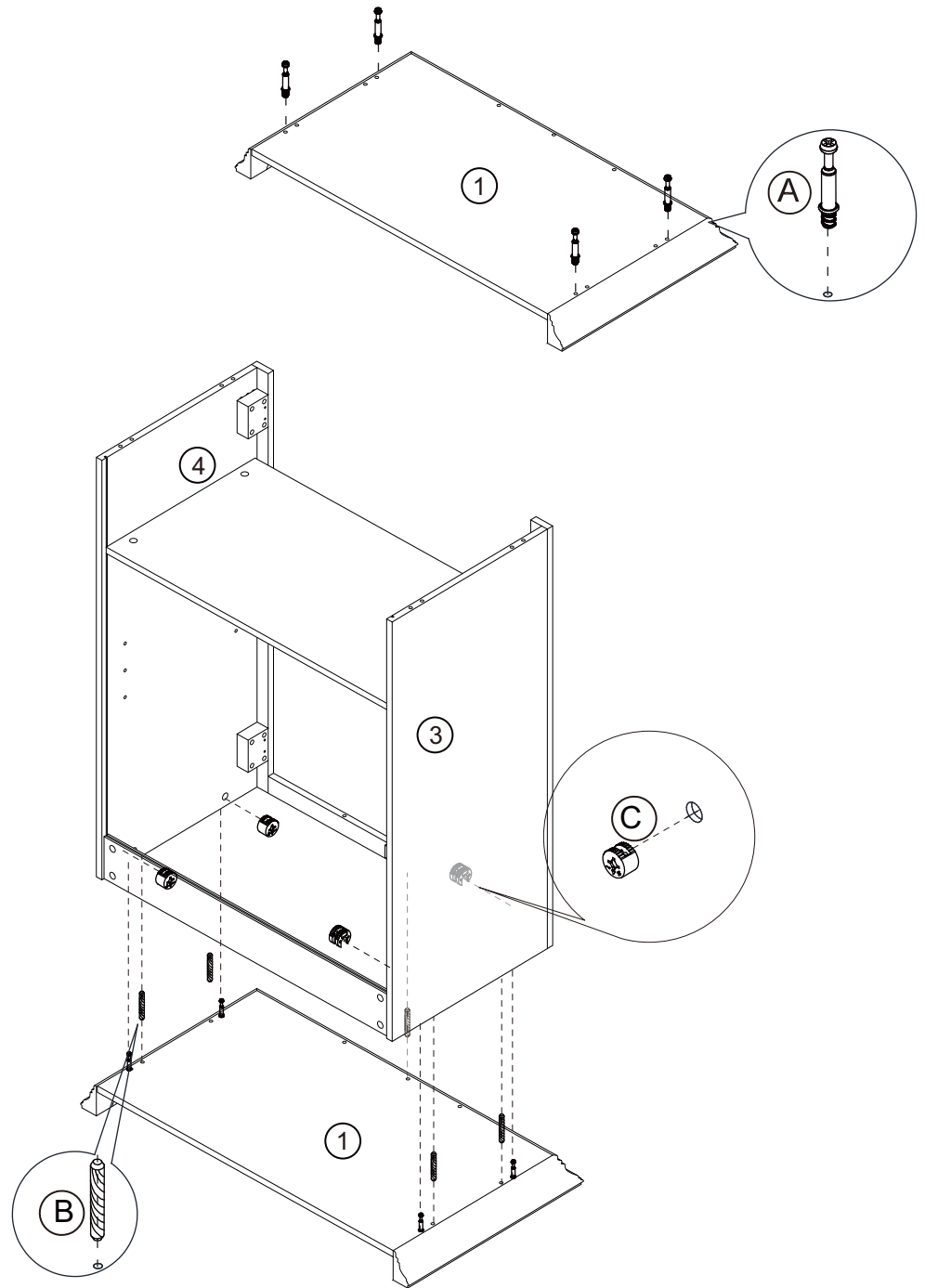


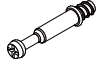


## Step 4



# Assembly Instructions

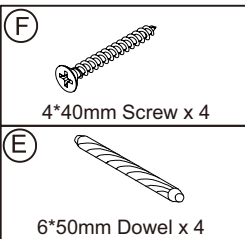
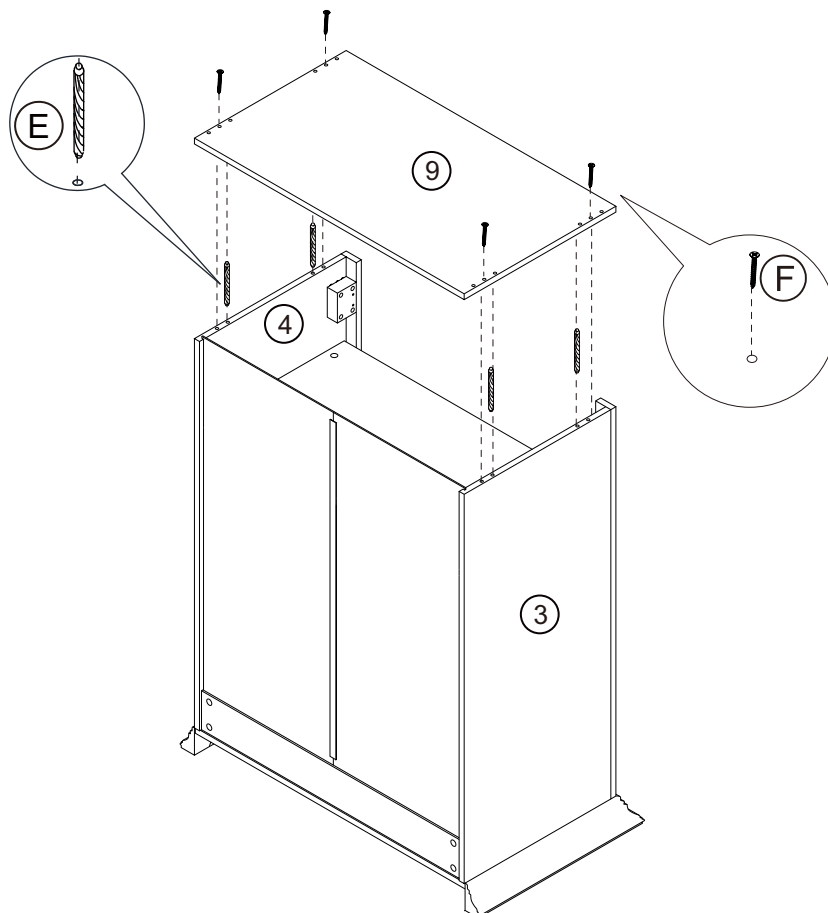
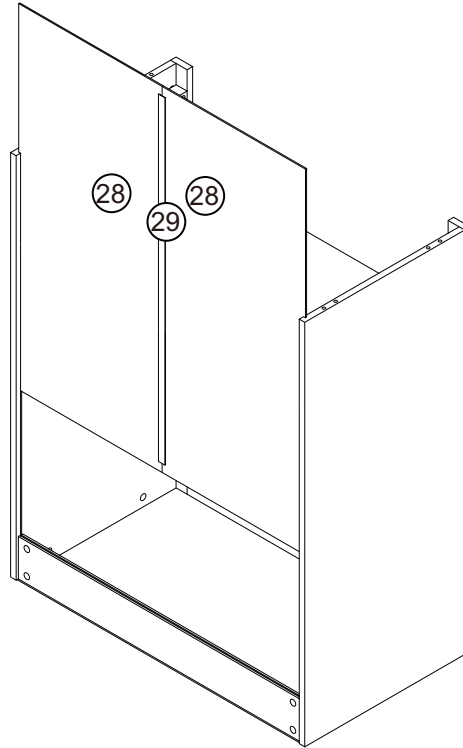
## Step 5



(A)	
	Cam Bolt x4
(B)	
	6*30mm Dowel x 5
(C)	
	Cam lock x 4

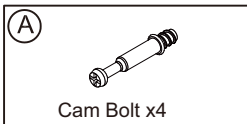
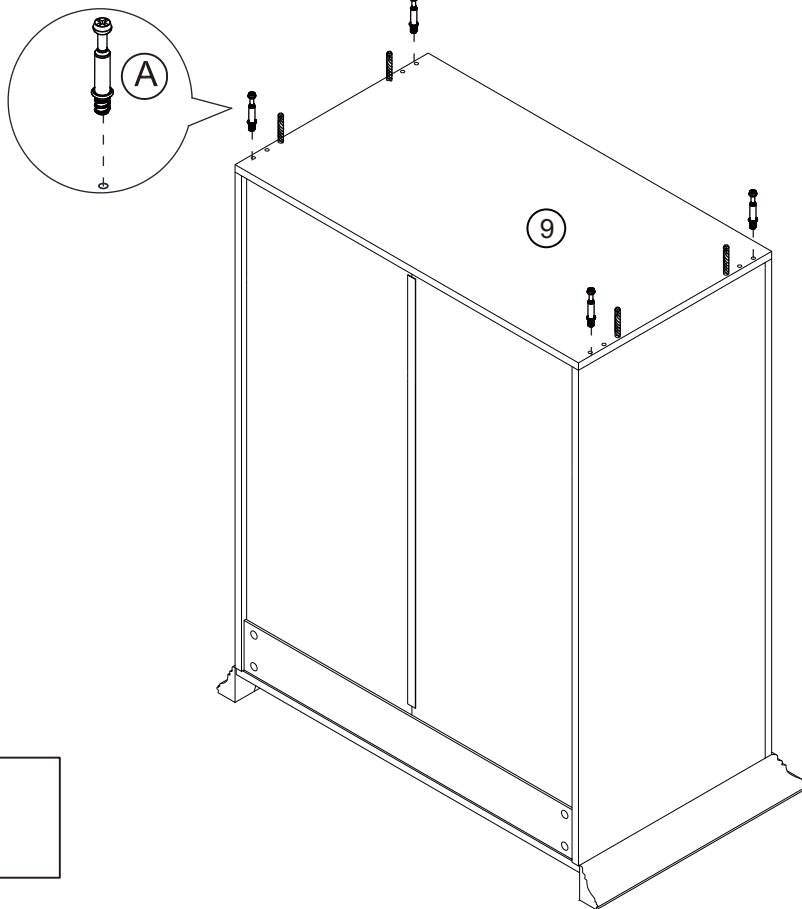
# Assembly Instructions

## Step 6

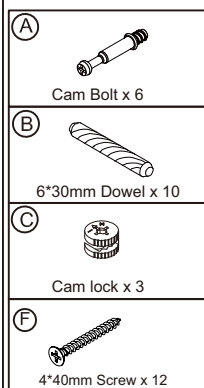
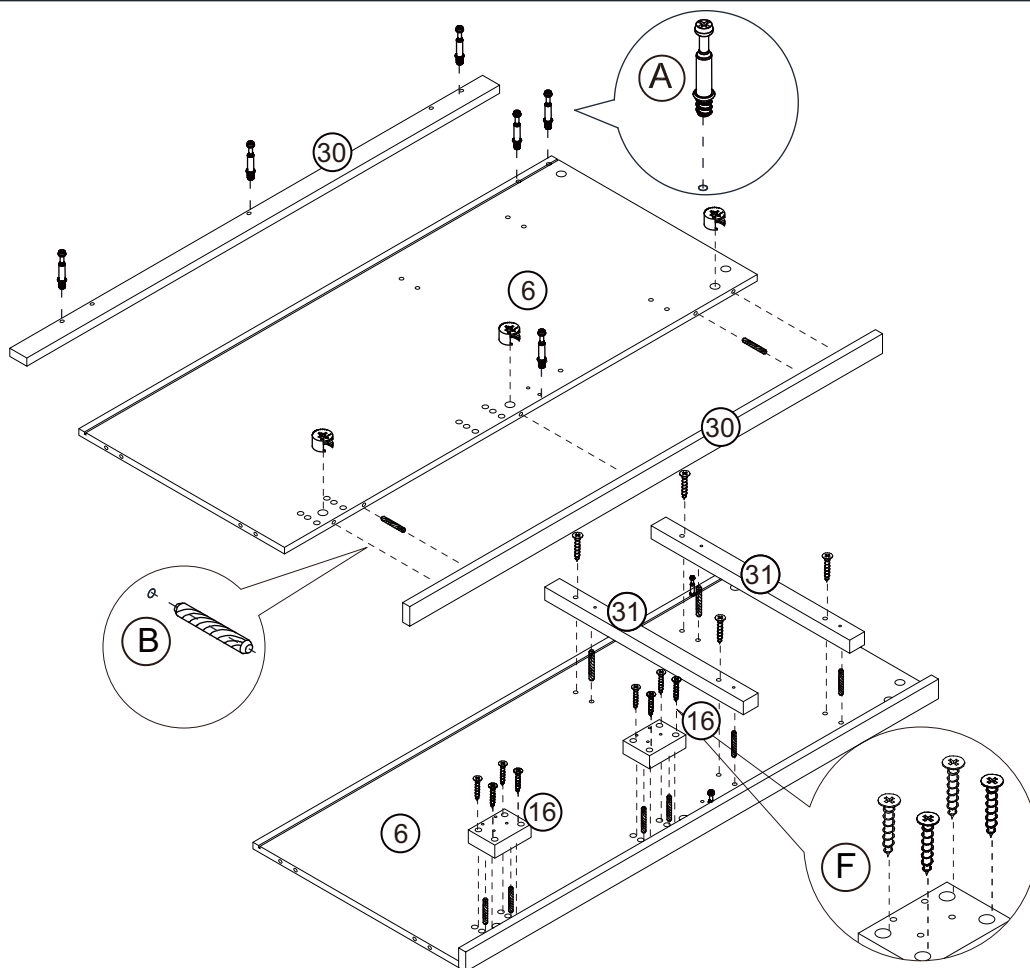


# Assembly Instructions

## Step 7

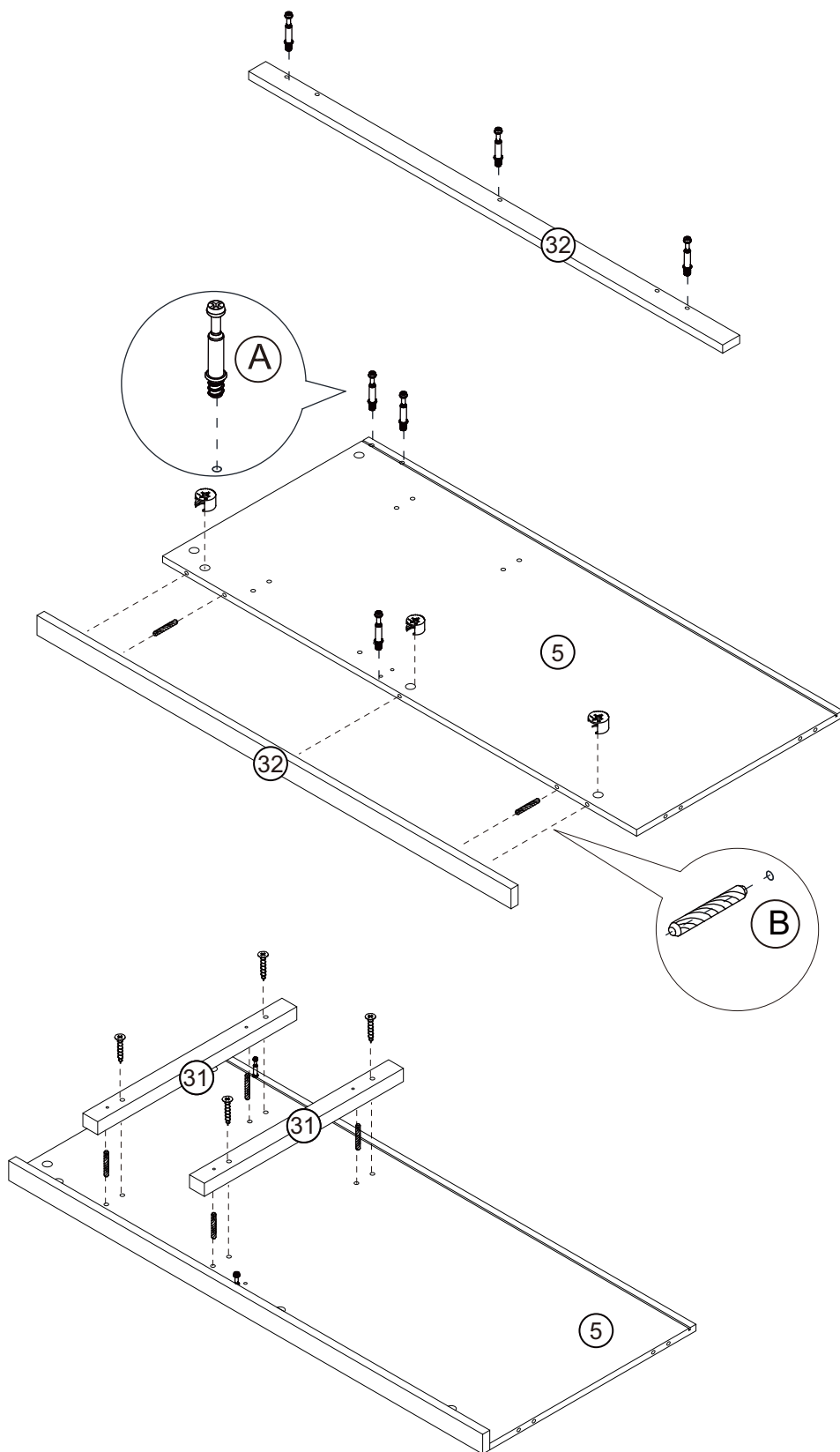






## Step 8



# Assembly Instructions

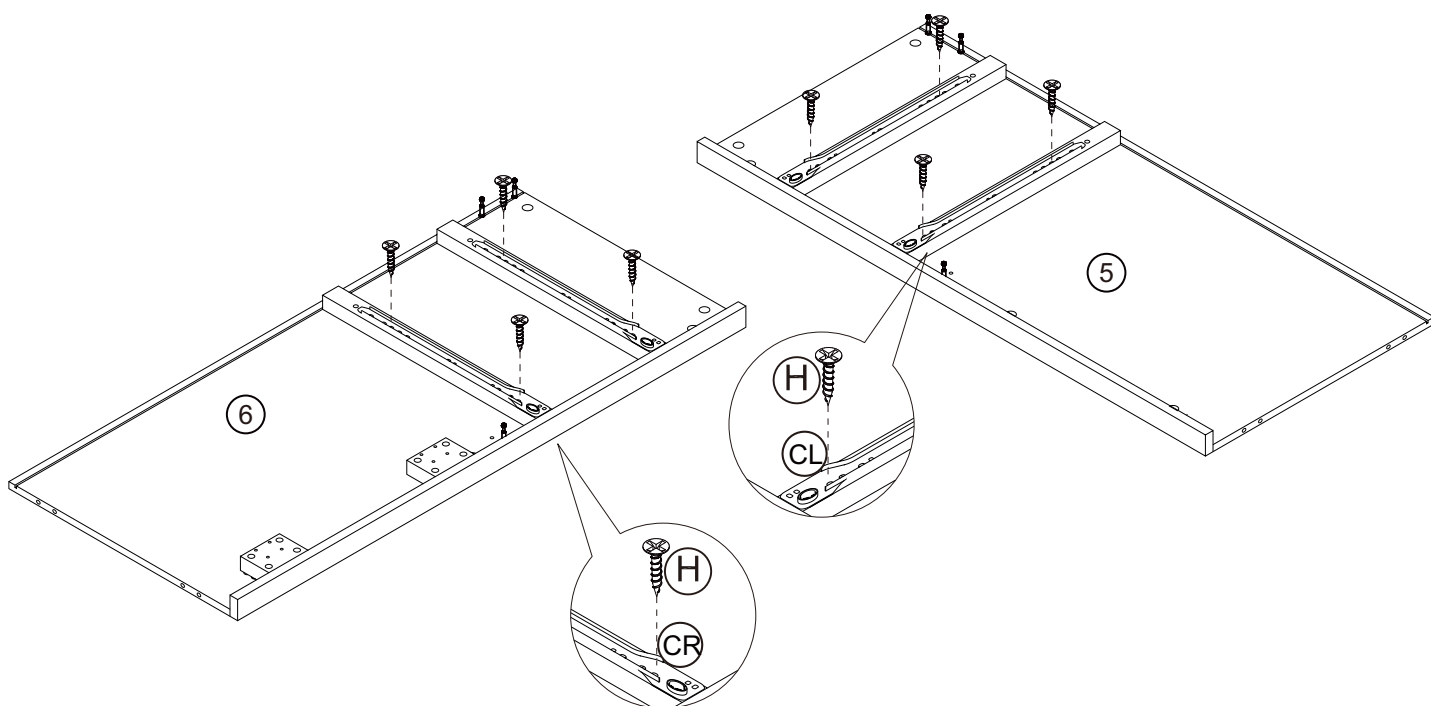
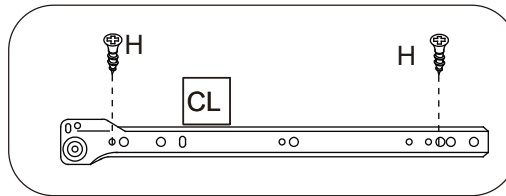
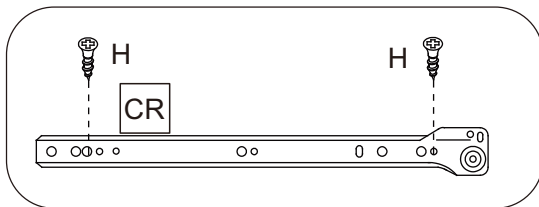
## Step 9



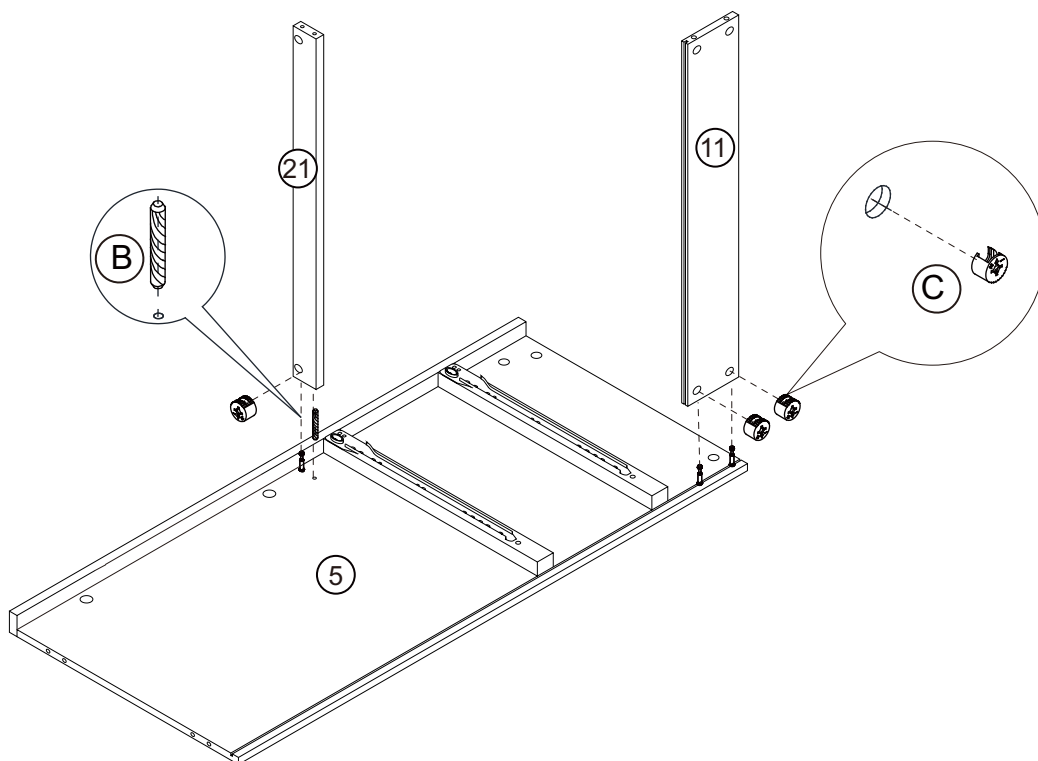
(A)	
(B)	
(C)	
(F)	

# Assembly Instructions

## Step 10

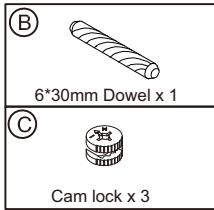
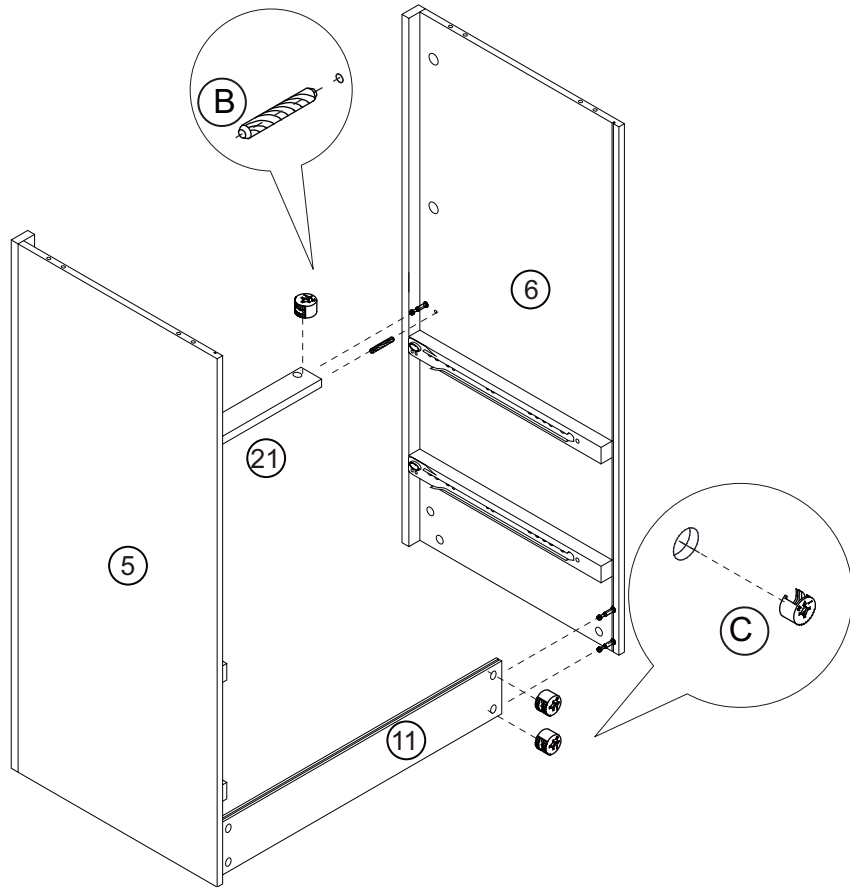


(H)	
	3*12mm Screw x 8
(CR)	
	300mm runner x 2
(CR)	
	300mm runner x 2
(B)	
	6*30mm Dowel x 1
(C)	
	Cam lock x 3

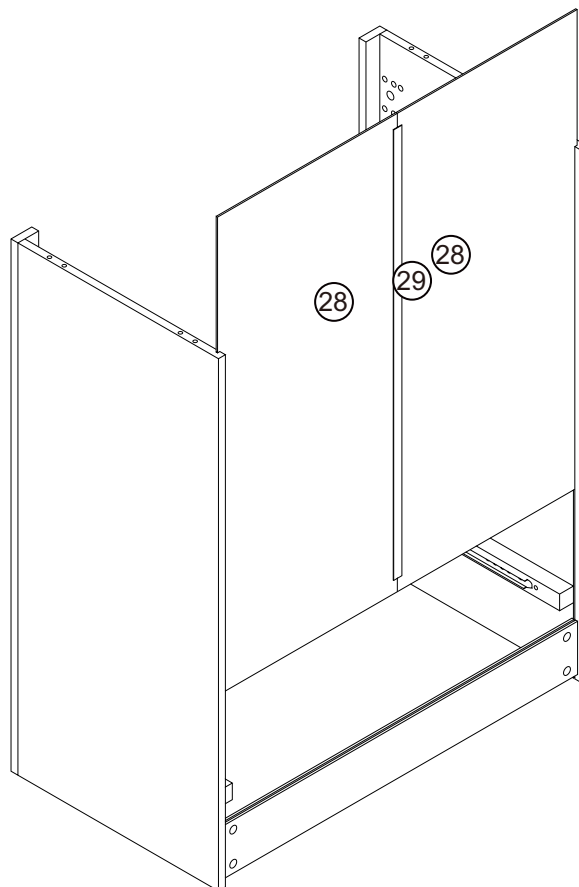


# Assembly Instructions

## Step 11

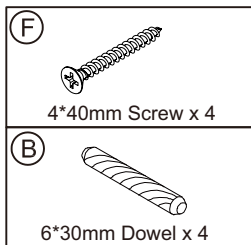
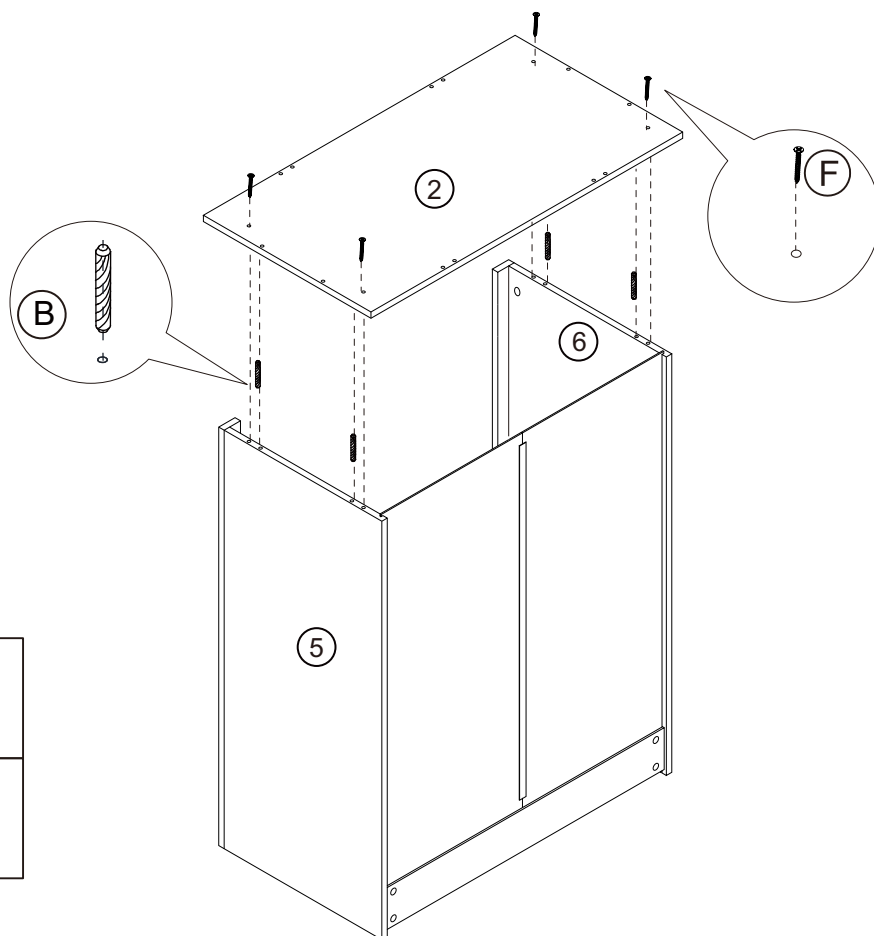


## Step 12

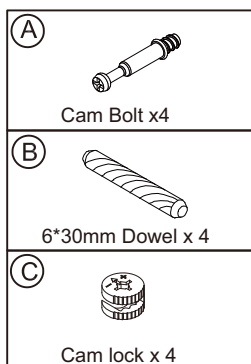
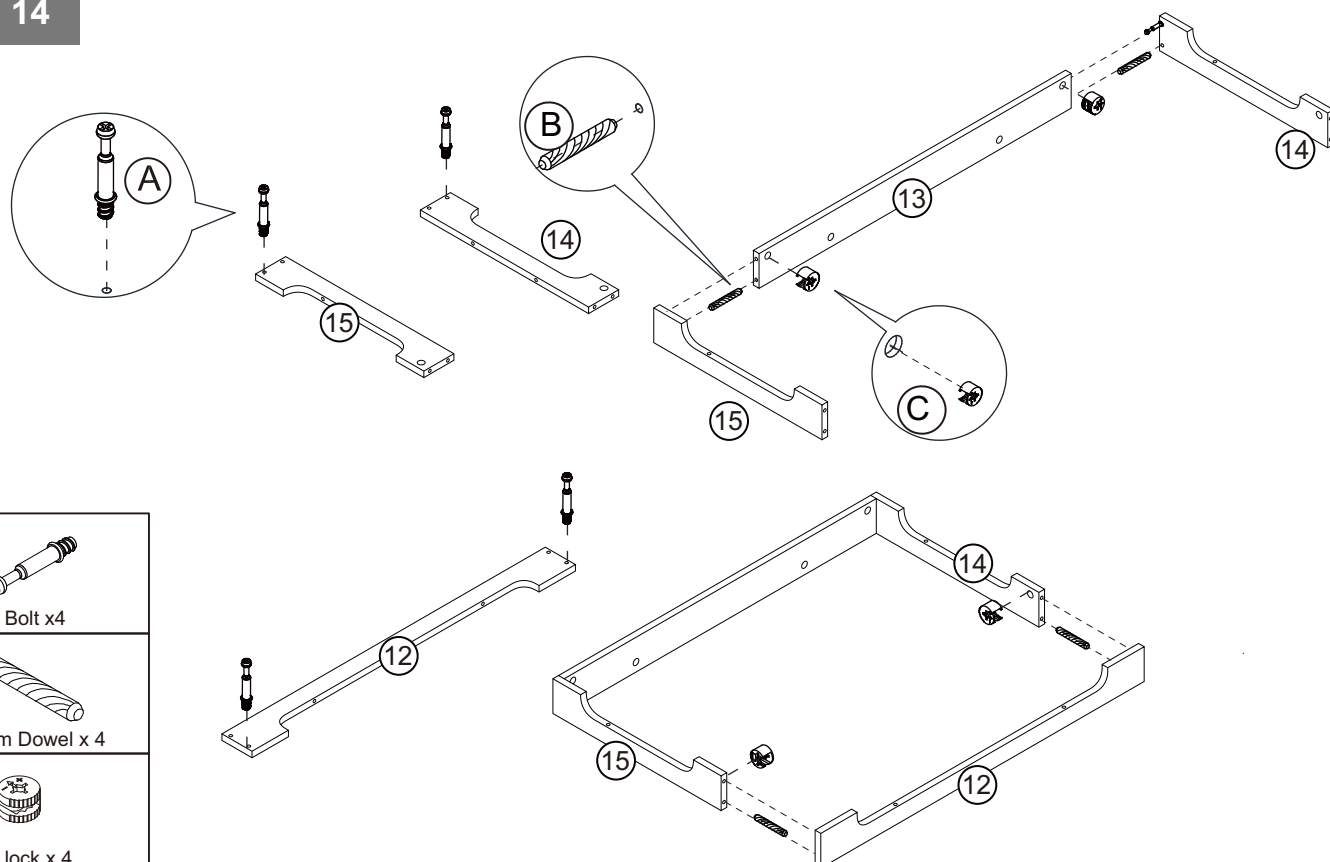


# Assembly Instructions

## Step 13

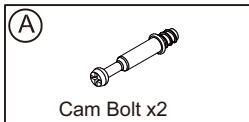
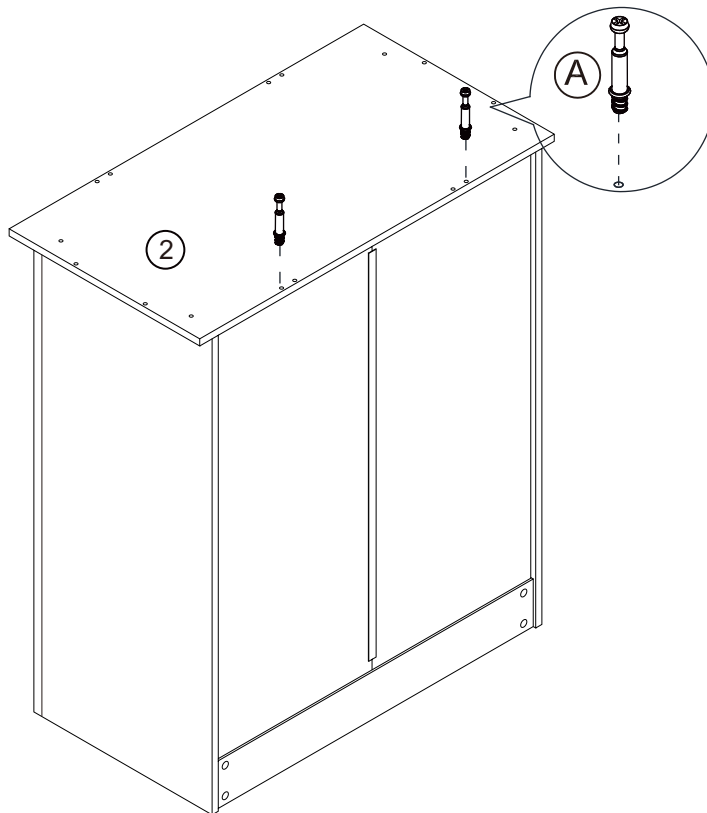


## Step 14

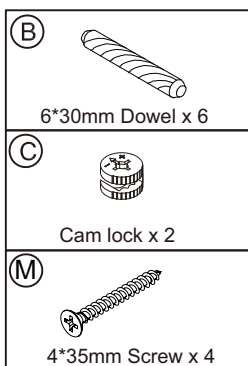
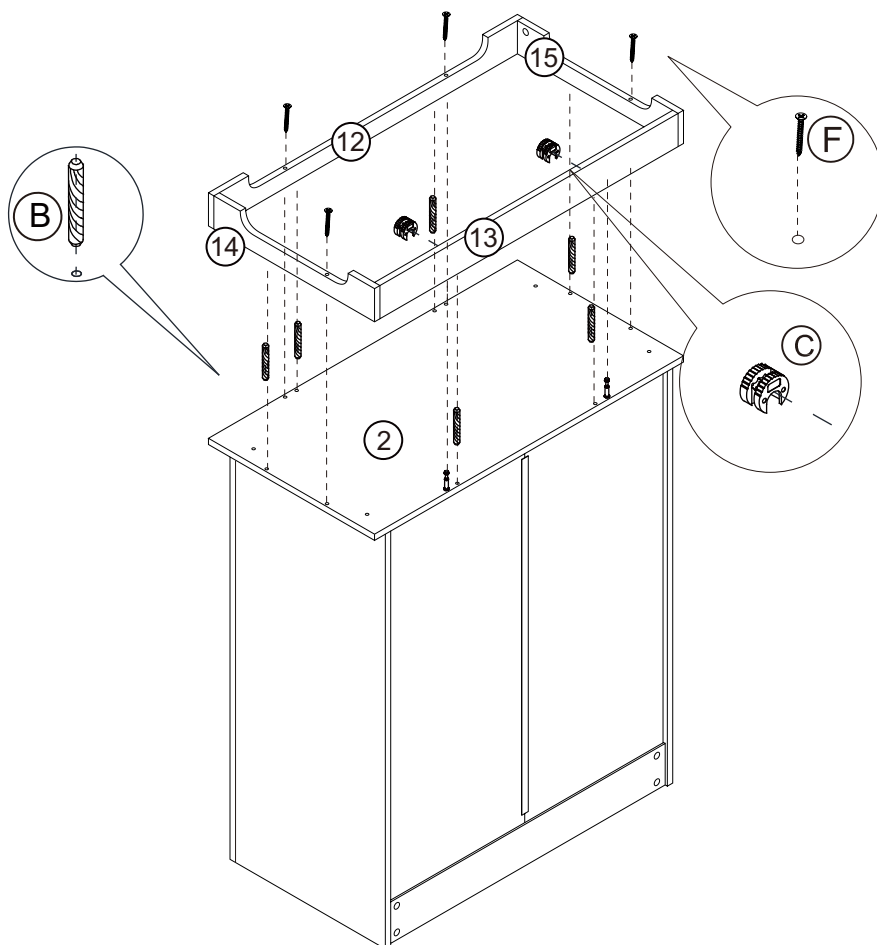


# Assembly Instructions

## Step 15

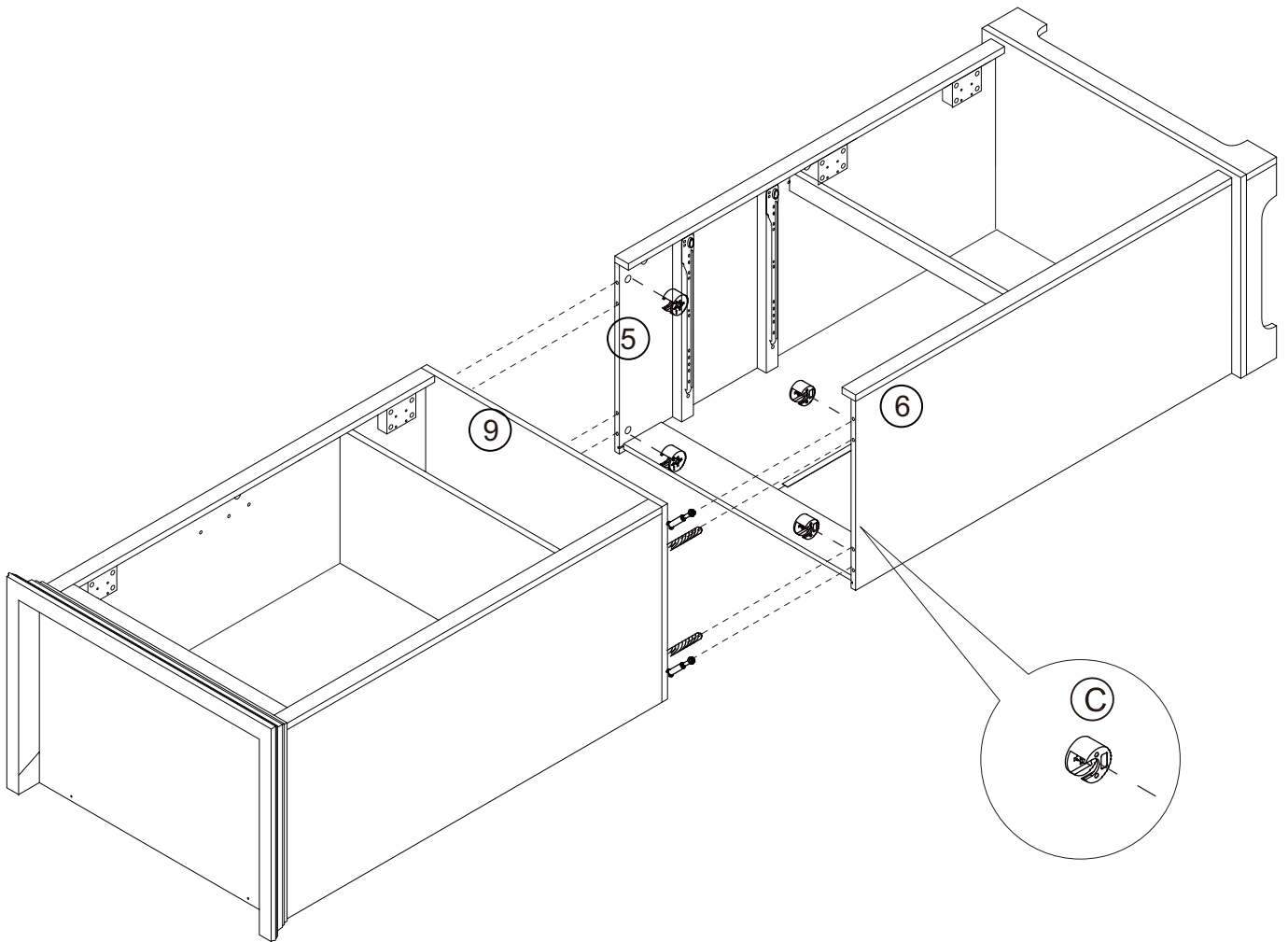


## Step 16



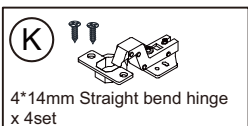
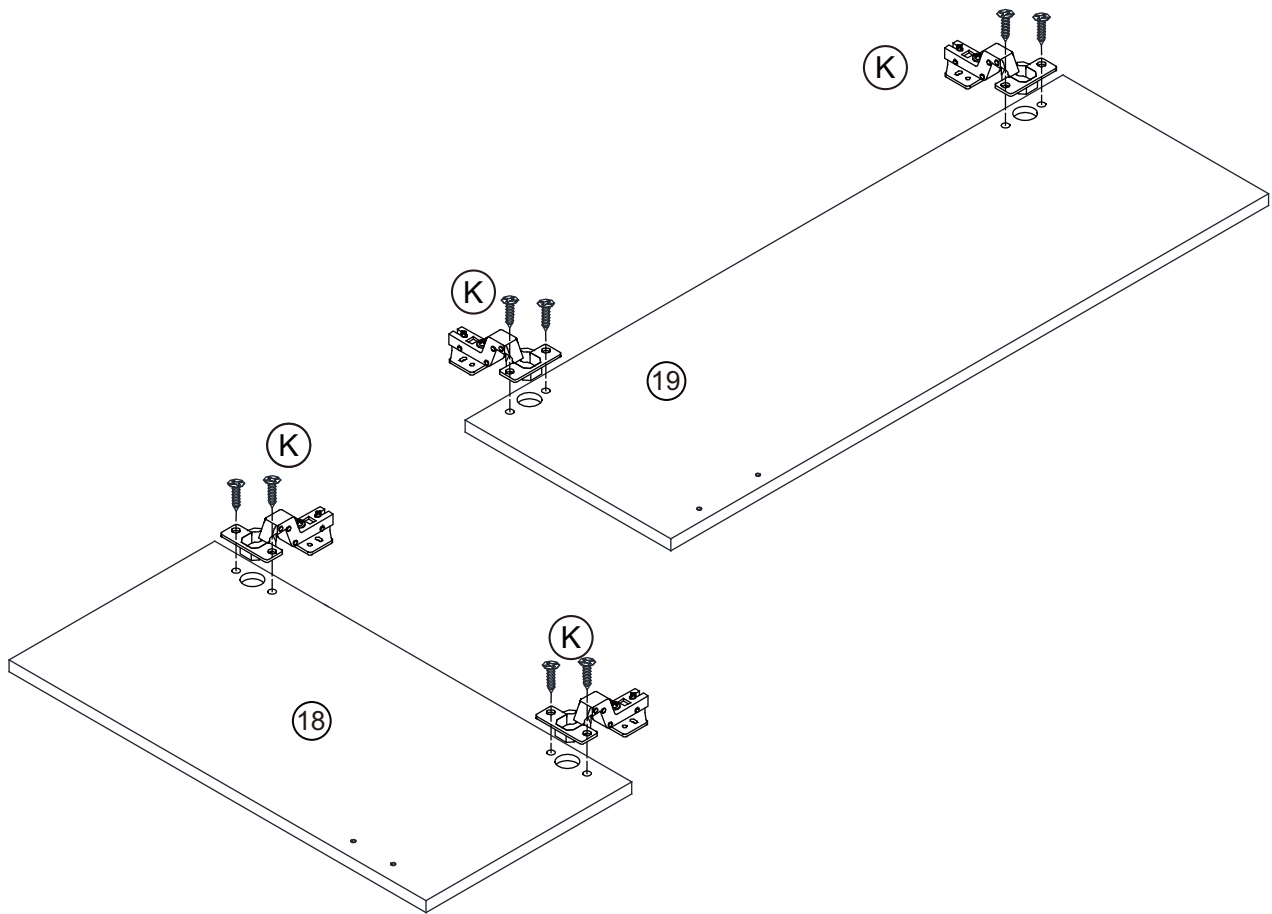
# Assembly Instructions

## Step 17



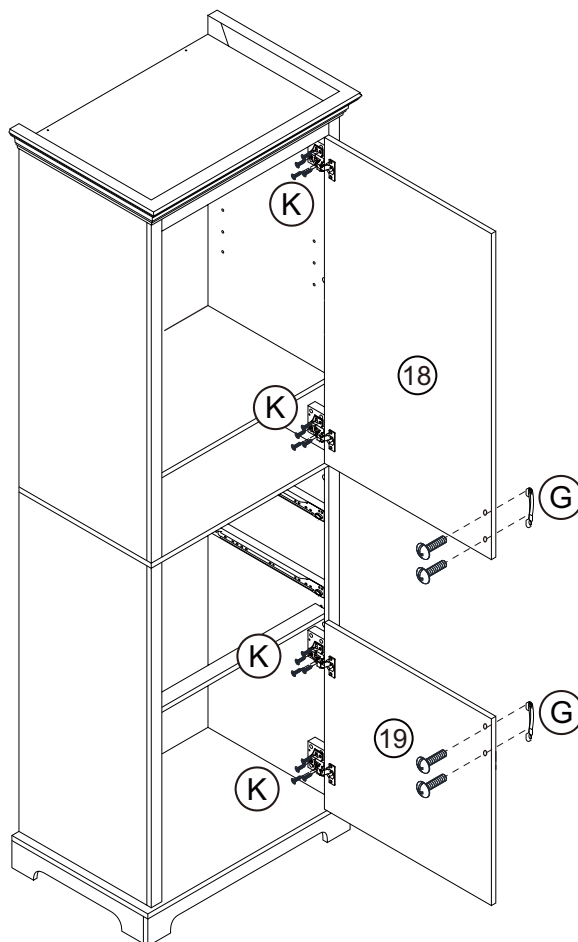
# Assembly Instructions

## Step 17

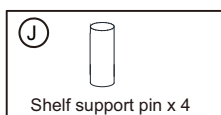
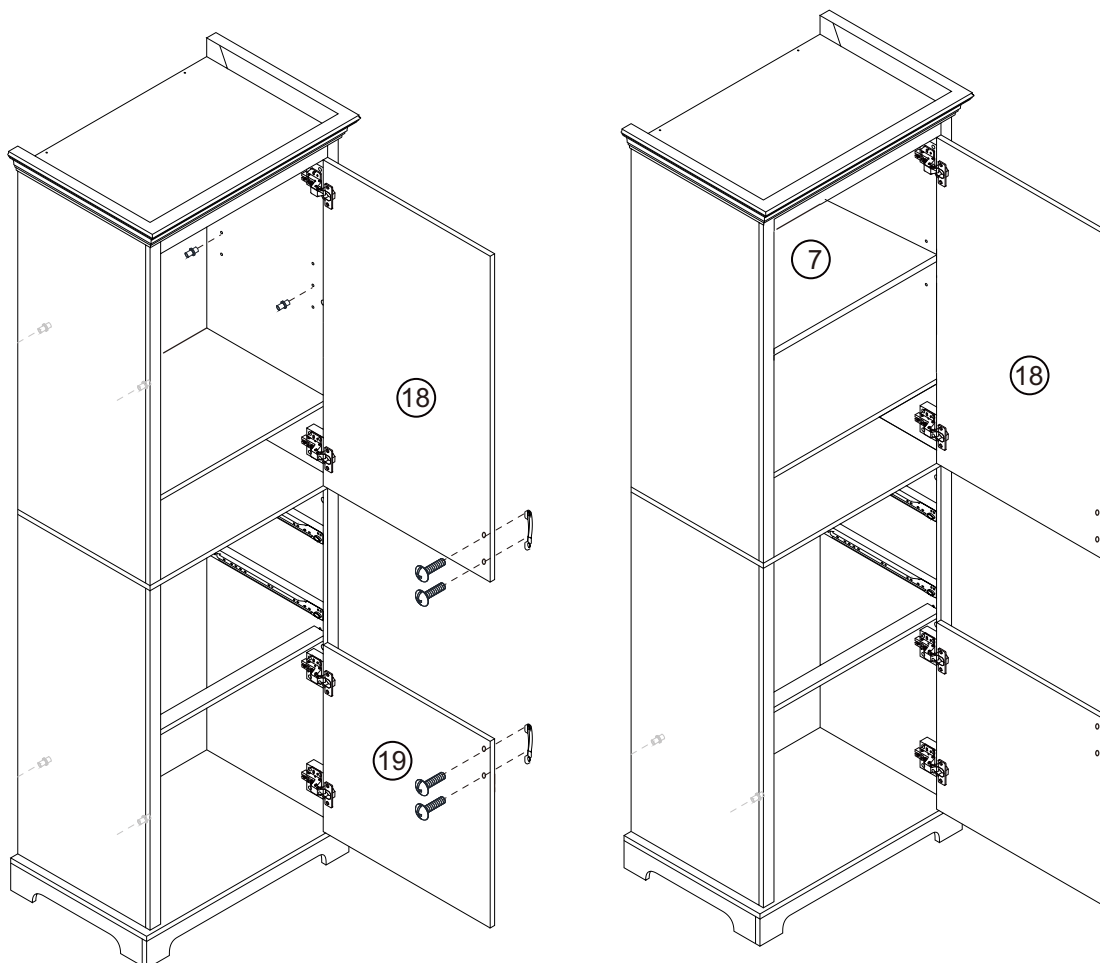


# Assembly Instructions

## Step 19

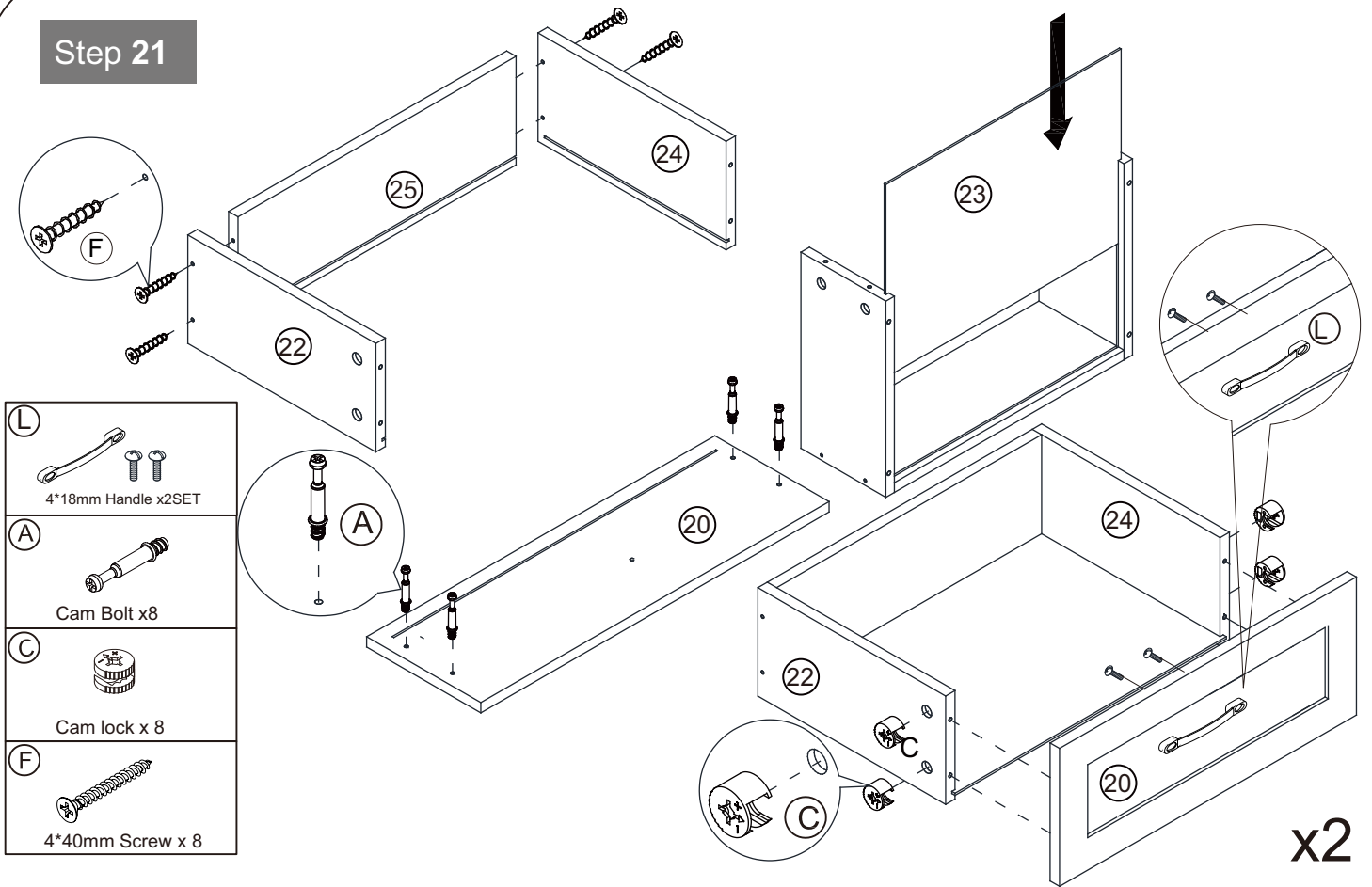


## Step 20

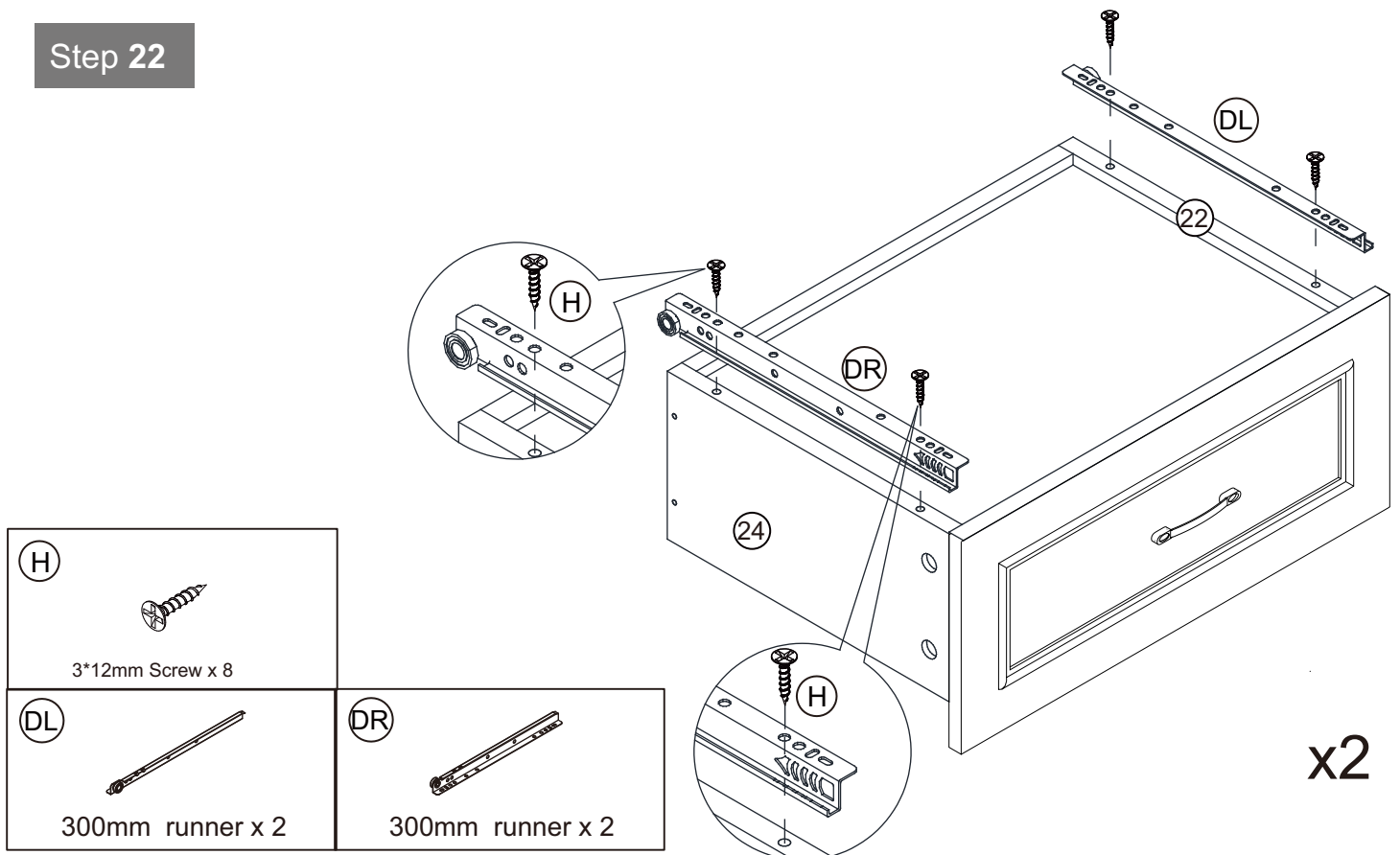


# Assembly Instructions

## Step 21

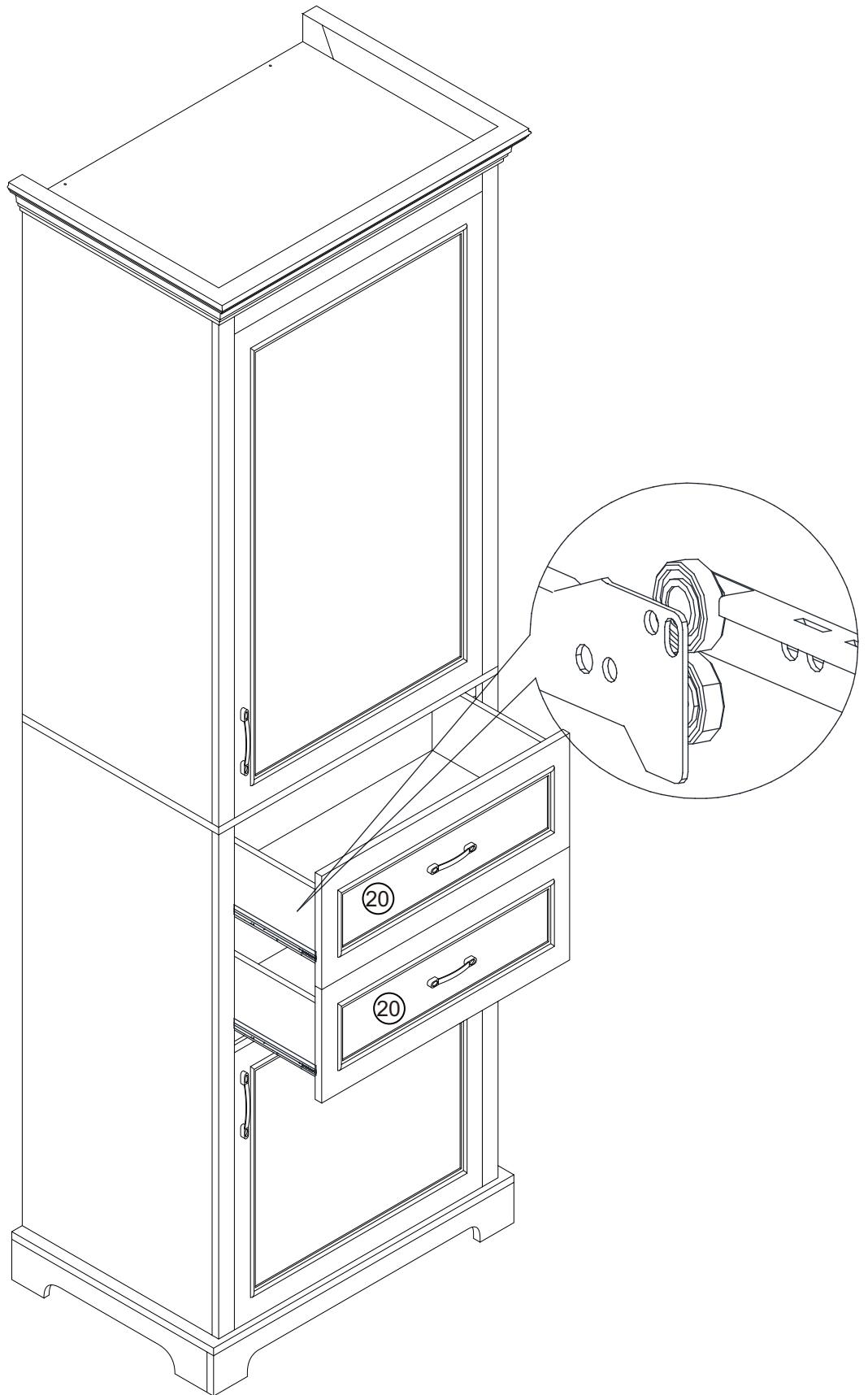


## Step 22



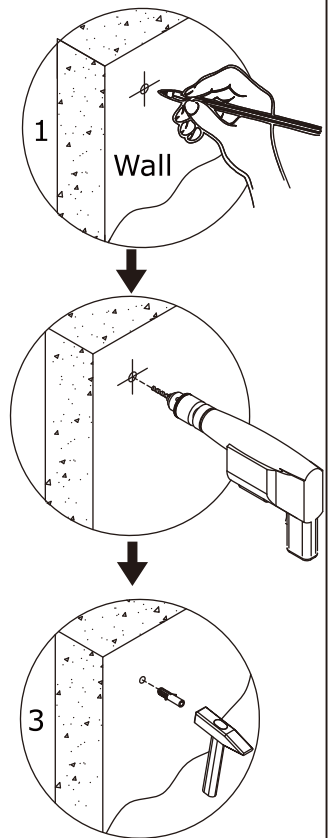
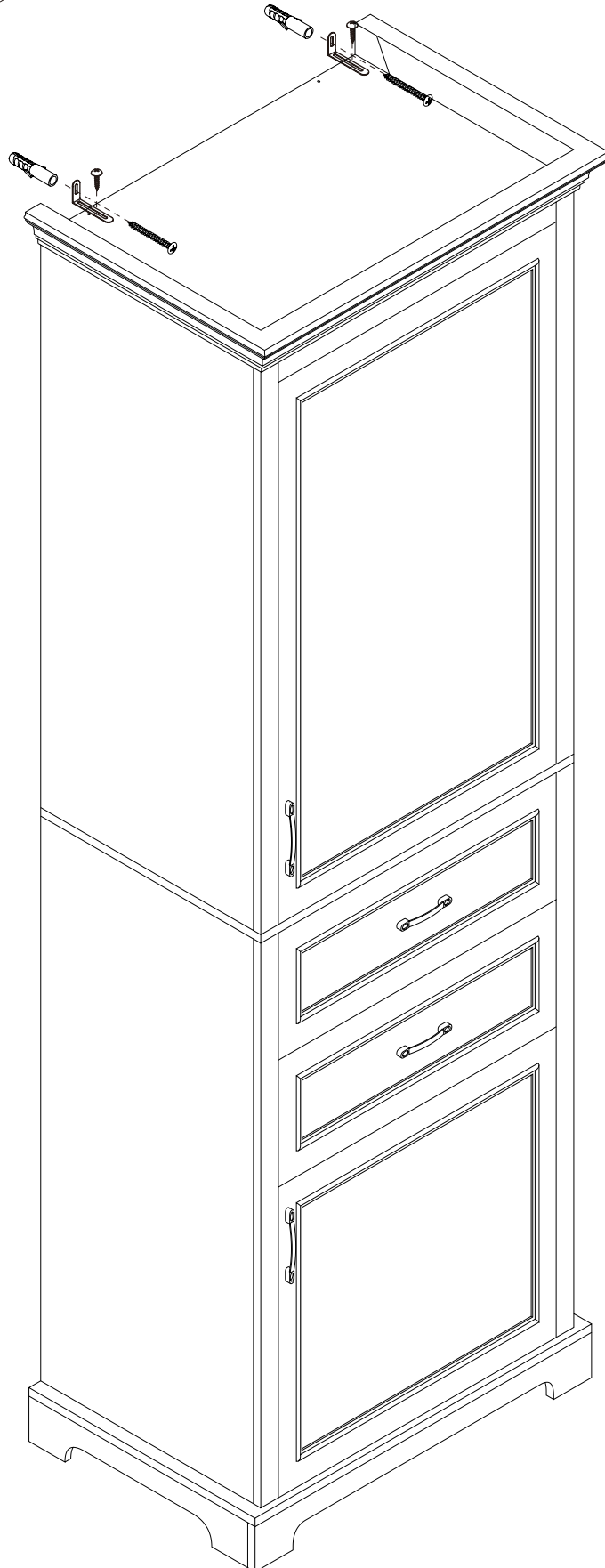
# Assembly Instructions

Step 23



# Assembly Instructions

## Step 24



Anti-fall accessories x2