

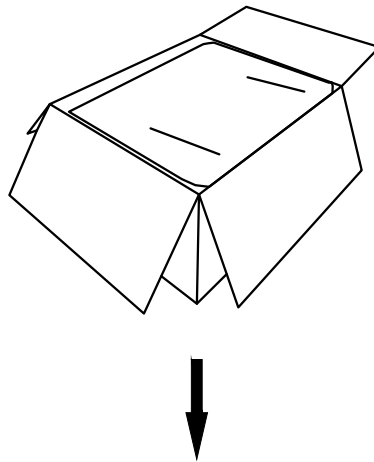
# Assembly Instructions

## CONTENTS


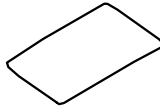
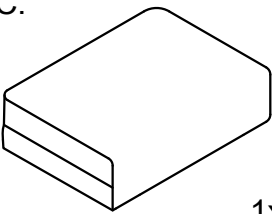
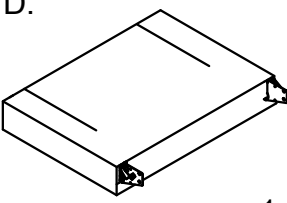
01.Parts List	P2
<hr/>	
02.Assemble	P3
<hr/>	
03.Feature Demonstration	P6
<hr/>	

# 01.Parts List





Upon receiving the package,open it to find the following items inside.



## PART LIST:

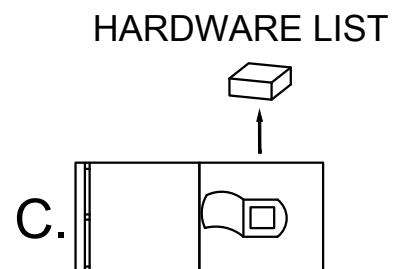
A.  1x	B.  1x	C.  1x	D.  1x
------------------------------------------------------------------------------------------------	------------------------------------------------------------------------------------------------	-------------------------------------------------------------------------------------------------	--------------------------------------------------------------------------------------------------

## HARDWARE LIST:

E.  1x	F.  4x	G.  16x	H.  4x
-------------------------------------------------------------------------------------------------	-------------------------------------------------------------------------------------------------	--------------------------------------------------------------------------------------------------	---------------------------------------------------------------------------------------------------

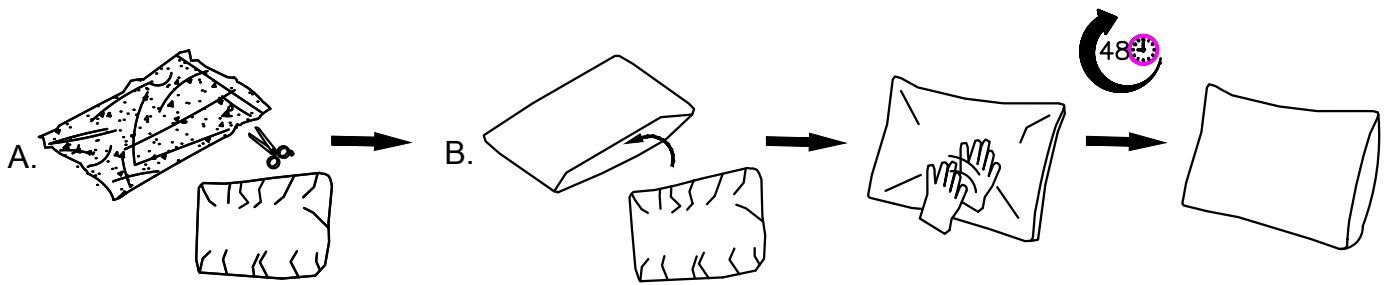
To locate "HARDWARE LIST"

- 1.Find part C.
- 2.Open the zipper.
- 3."HARDWARE LIST " package will be there.



## 02.Assemble

STEP 1 : You will only need Item A and Item B.

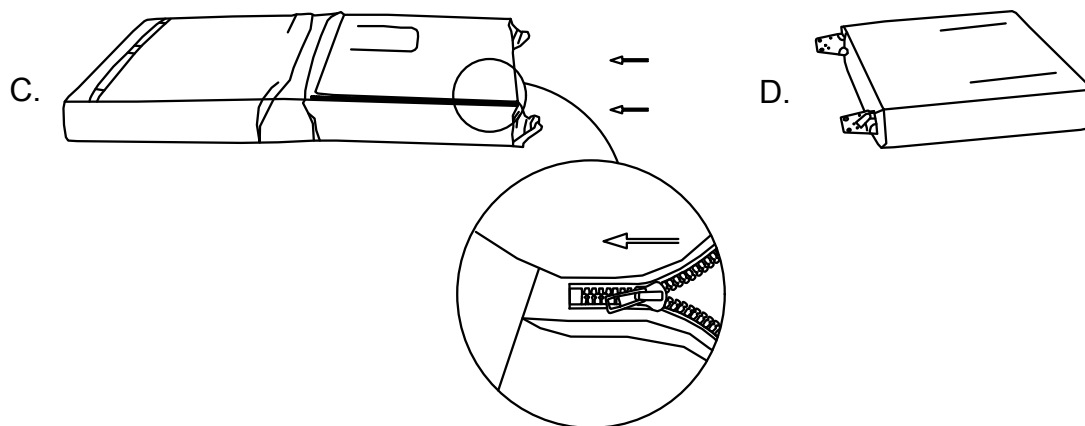


"Carefully use scissors"

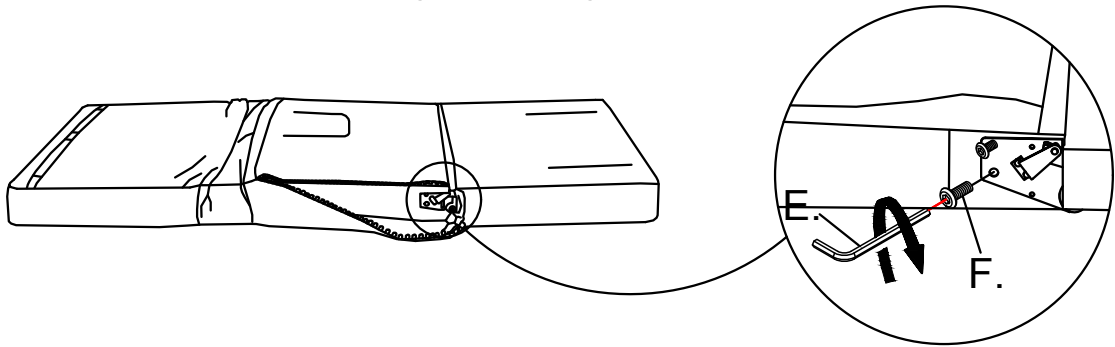
"Fluff the pillow"

STEP 2 : You will need Item C. D .E and Item F.

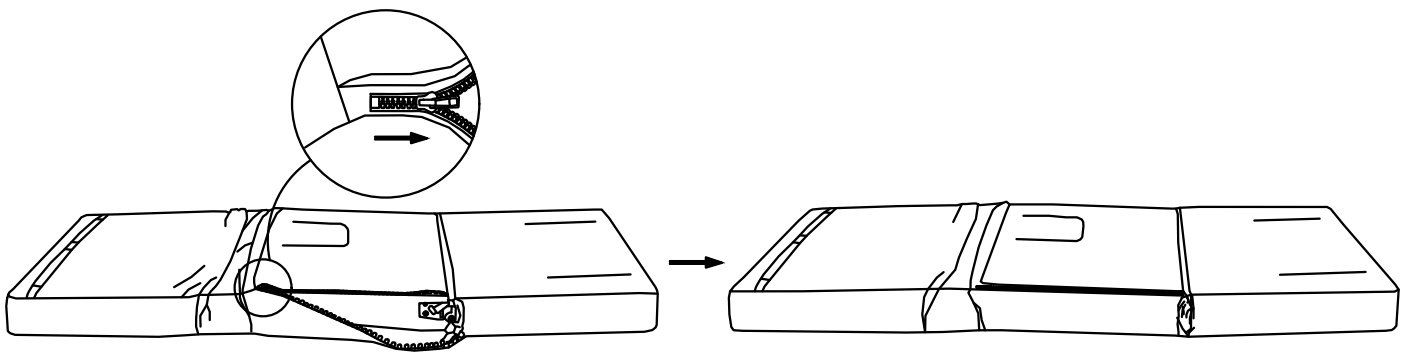
Unzip side compartments of cushion.



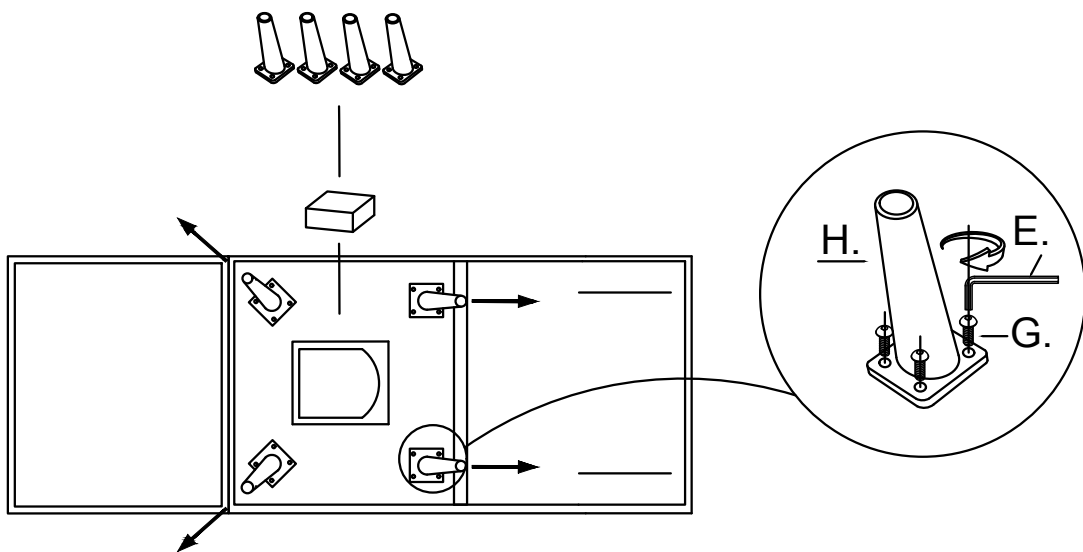
Fasten C to D with Screws F, using Tool E. Tighten the screw.



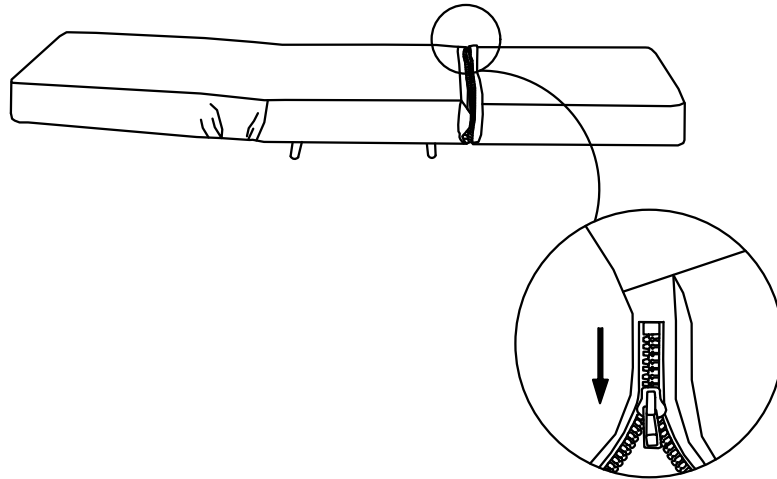
Once the connection is secure, close the zippers. Repeat for the other side.



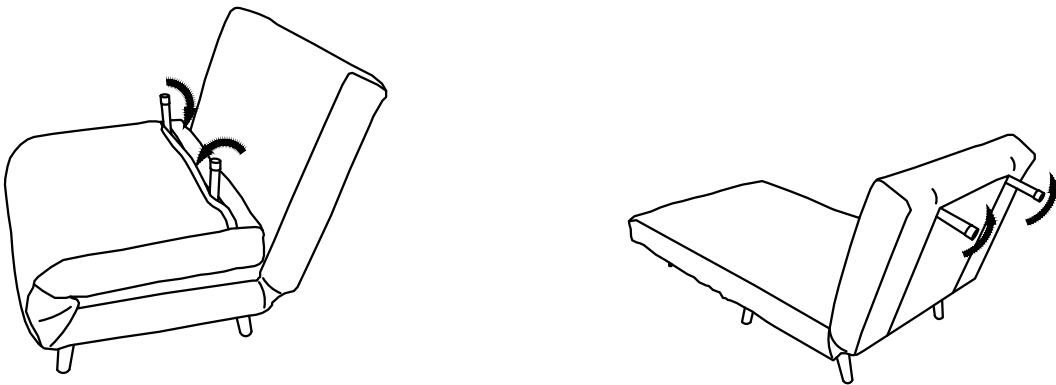
STEP 3 : Assemble the legs.



STEP 4 : zip up the part C and part D.

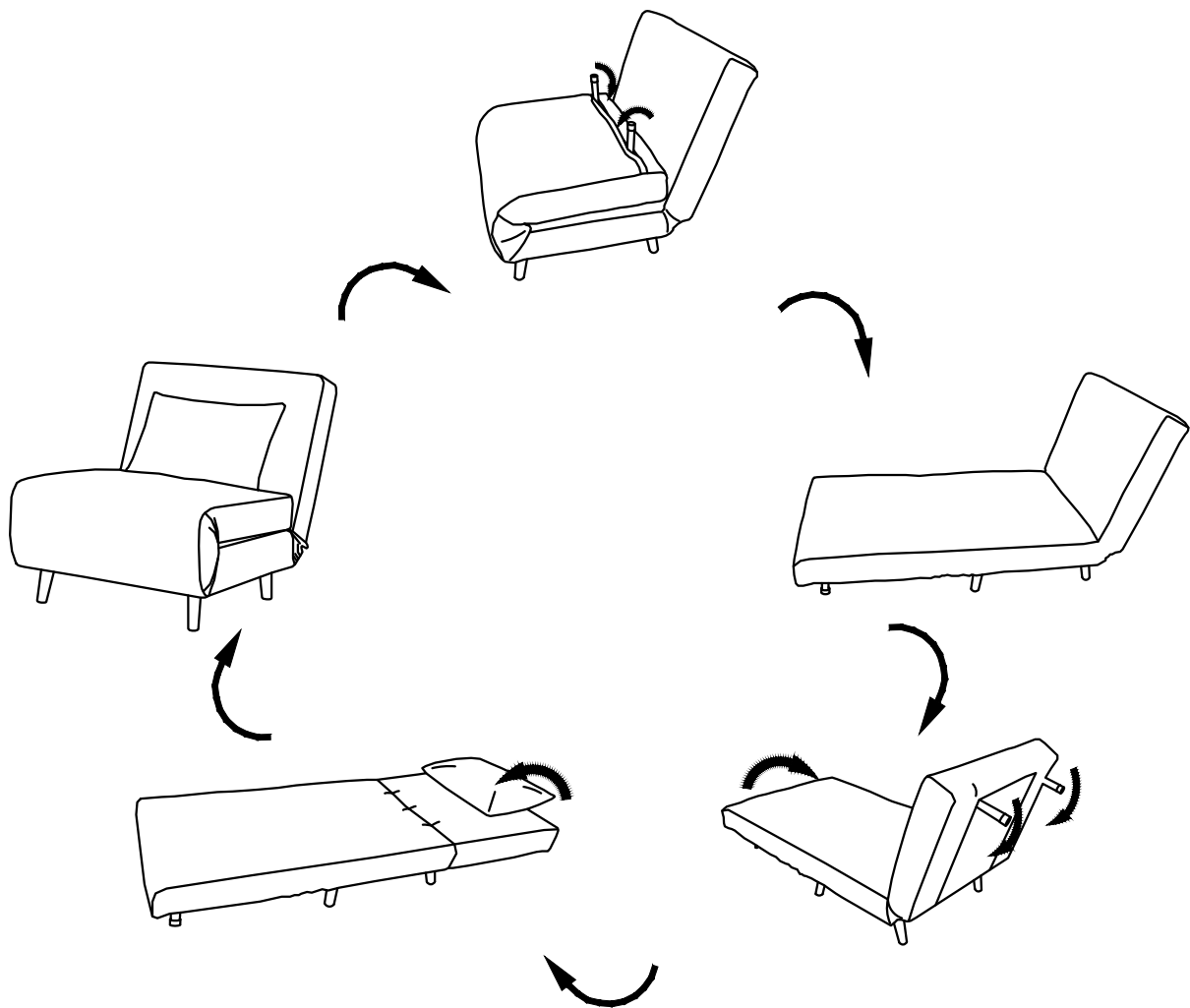


STEP 5 : Open the zipper to find support legs.



### 03.Feature Demonstration

Please use the support legs when using as a Chaise or Bed: Failure to use support legs may result in damages to the internal parts and structure.



You've done it! Your product is assembled and ready to use.

Thanks for choosing us! We hope you love it. We love hearing from our customers, so please reach out with any suggestions.

Want a different look? Check out our other styles and colors!

**We can't wait to see you again!**