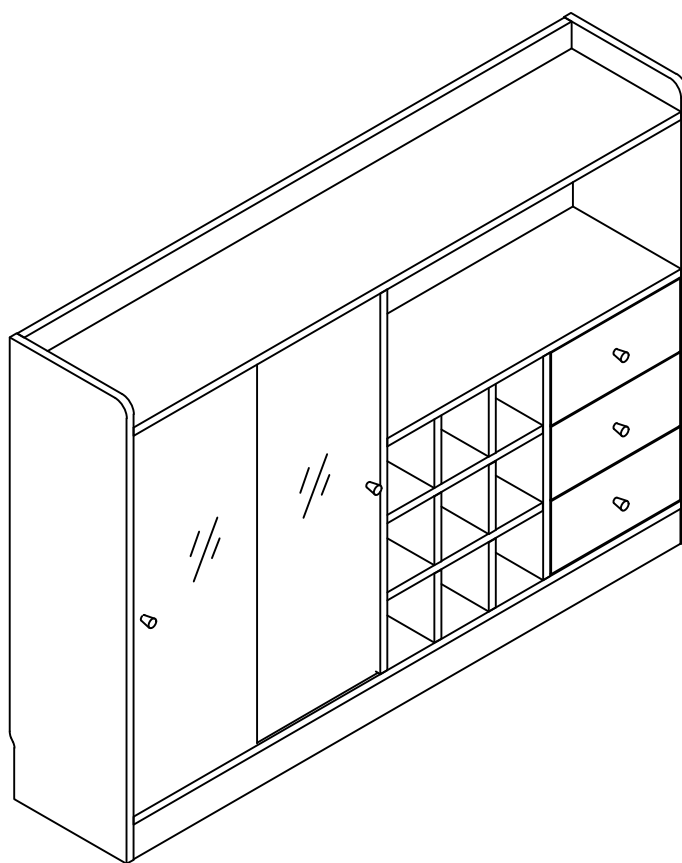
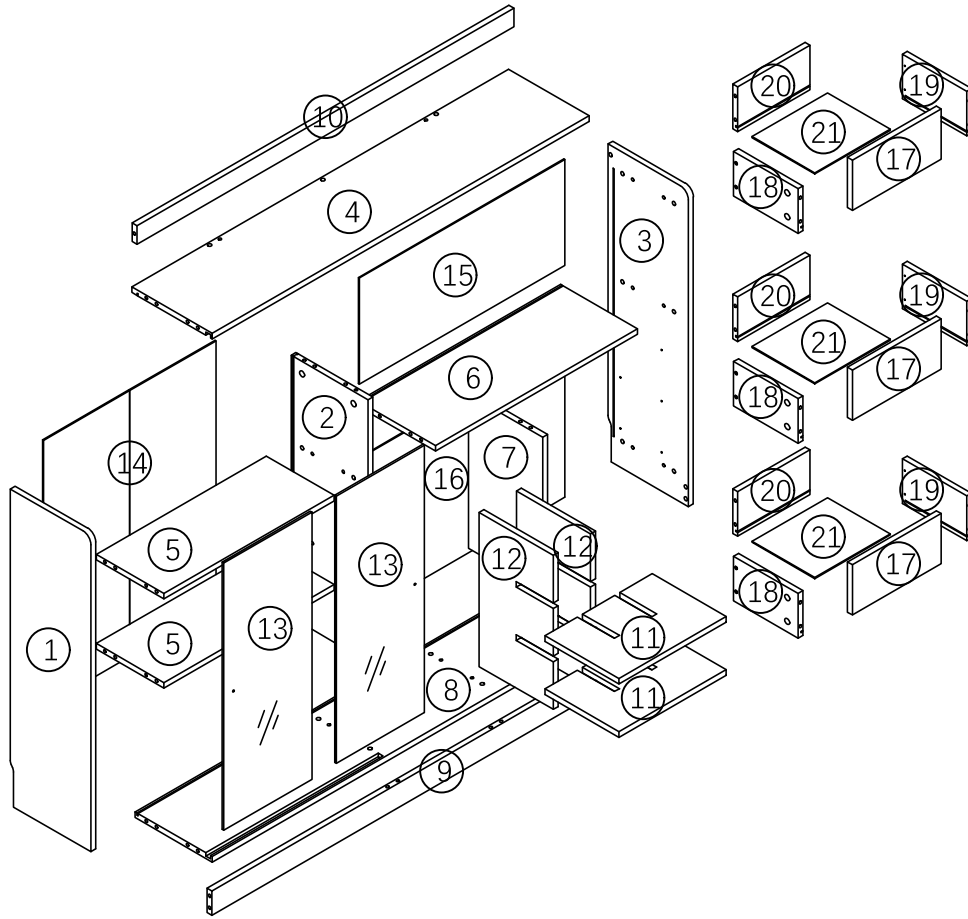










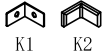


Installation & Assembly





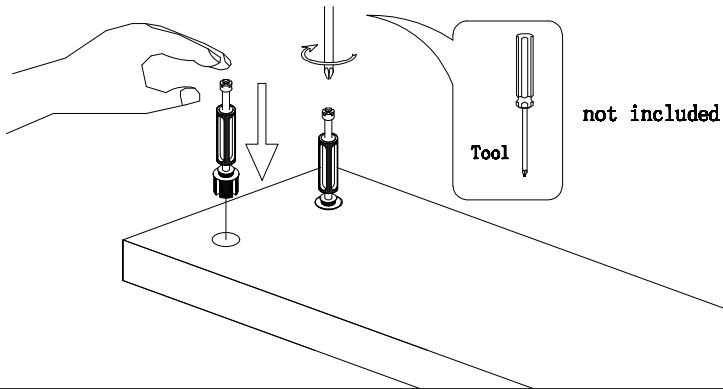
<p>A</p>  <p>51PCS</p>	<p>B</p>  <p>51PCS</p>	<p>C</p> <p>8*40</p>  <p>32PCS</p>	<p>D</p> <p>3.5*14</p>  <p>26PCS</p>	<p>E</p>  <p>5PCS</p>	<p>F</p> <p>4*20</p>  <p>3PCS</p>	<p>G</p> <p>4*10</p>  <p>2PCS</p>	<p>H</p> <p>H1 H2 H3 H4</p>  <p>3PCS</p>	<p>I</p> <p>3.5*35</p>  <p>14PCS</p>	<p>J</p>  <p>2PCS</p>	<p>K</p> <p>K1 K2</p>  <p>2PCS</p>
--	---	---	---	--	--	--	---	---	--	---



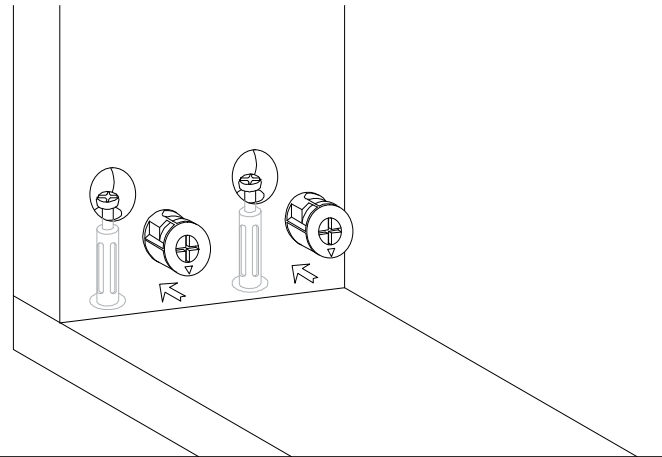
Hardware installation demonstration

NOTE: Please make sure "A" hardware tightened and can't be pulled out!

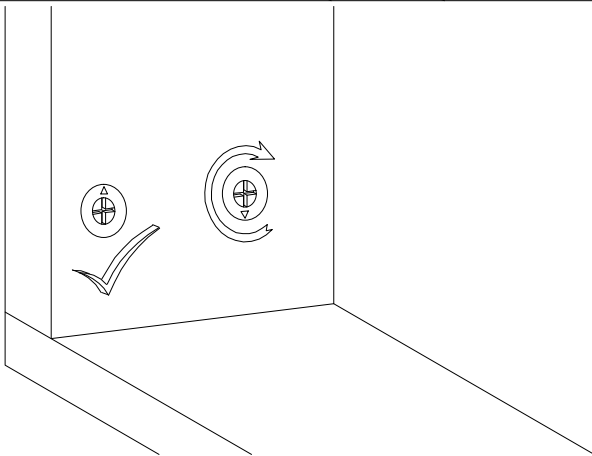
I




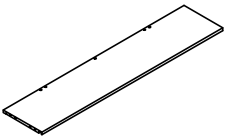
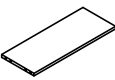
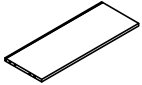

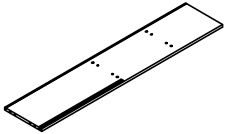

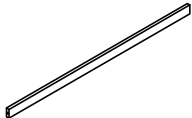

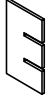

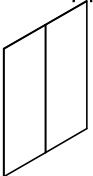
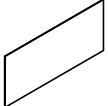
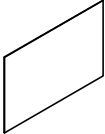


II



III



1	850*250mm  33.5*9.8" 1pc	2	705*239mm  27.8*9.4" 1pc	3	850*250mm  33.5*9.8" 1pc	4	1170*250mm  46*9.8" 1pc
5	527.5*210mm  20.8*8.3" 2pcs	6	627.5*239mm  24.7*9.4" 1pc	7	414*231mm  16.3*9.1" 1pc	8	1170*239mm  46*9.4" 1pc
9	1170*65mm  46.1*2.6" 1pc	10	1170*50mm  46.1*2" 1pc	11	332.5*230mm  13.1*9.1" 2pcs	12	413.5*230.5mm  16.3*9.1" 2pcs
13	718*274mm  28.3*10.8" 2pcs	14	715*535.5mm  28.1*21.1" 1pc	15	285*637.5mm  11.2*25.1" 1pc	16	423*637.5mm  16.7*25.1" 1pc

17

275.5*135mm



10.8*5.3"

3pcs

18

200*120mm



7.9*4.7"

3pcs

19

200*120mm



7.9*4.7"

3pcs

20

224.5*120mm



8.8*4.7"

3pcs

21

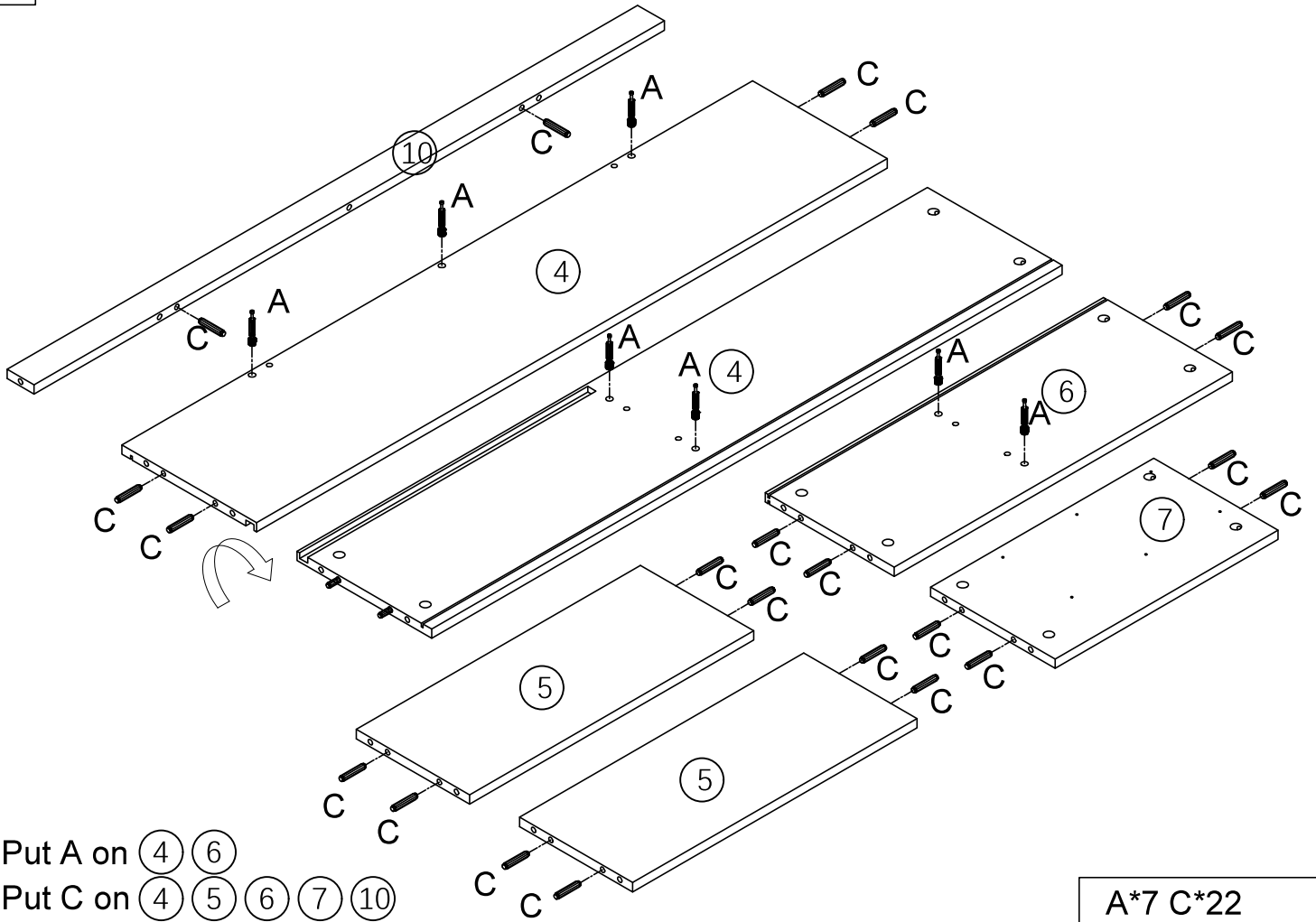
234.5*195mm



9.2*7.7"

3pcs

1

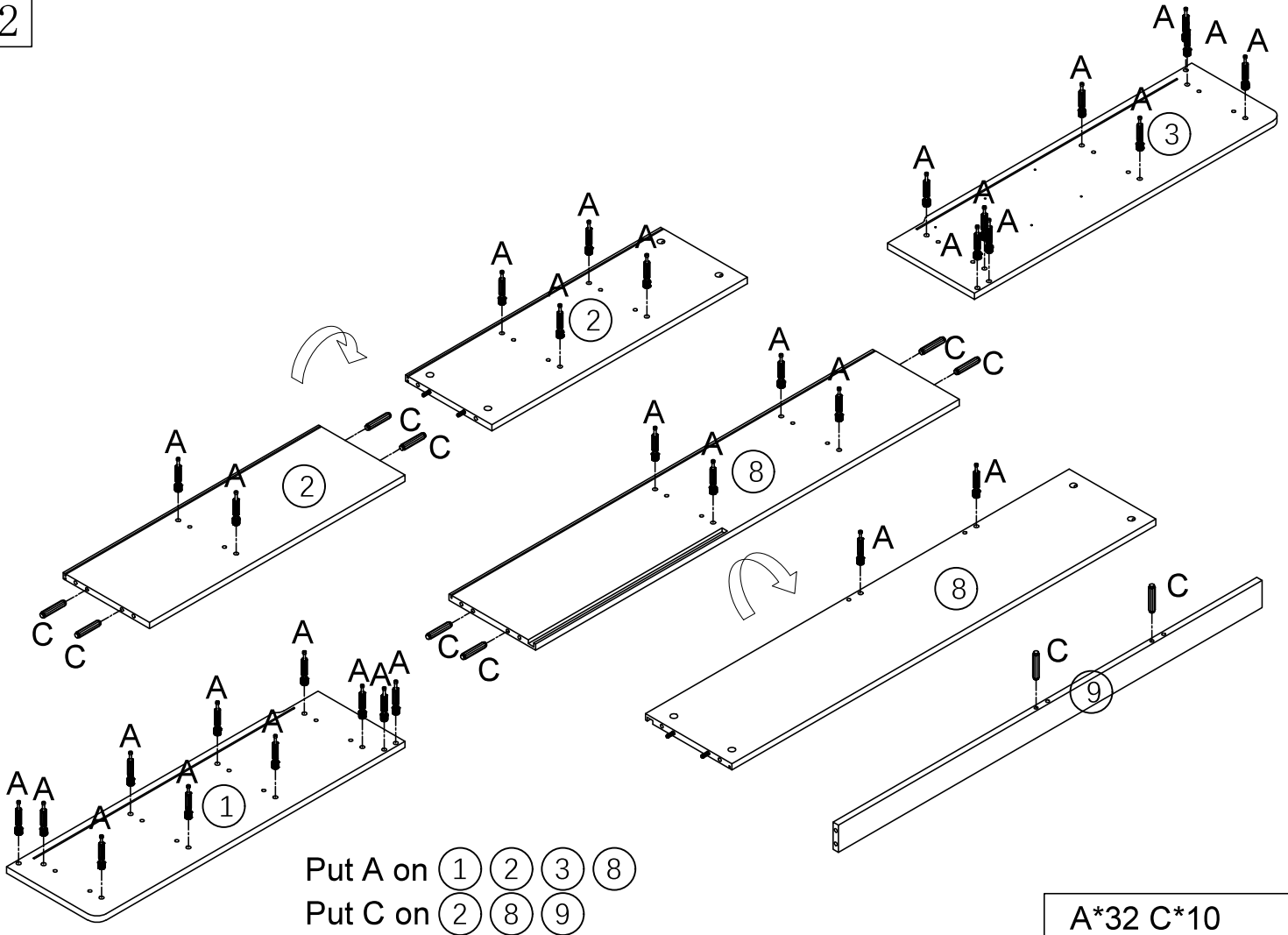


Put A on (4) (6)

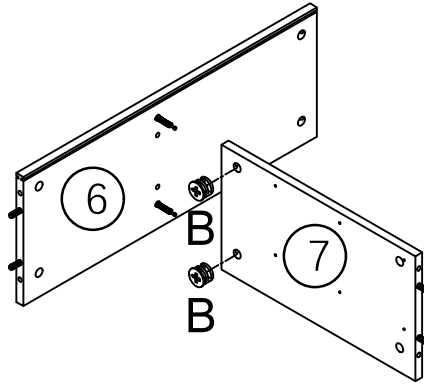
Put C on (4) (5) (6) (7) (10)

A*7 C*22

2



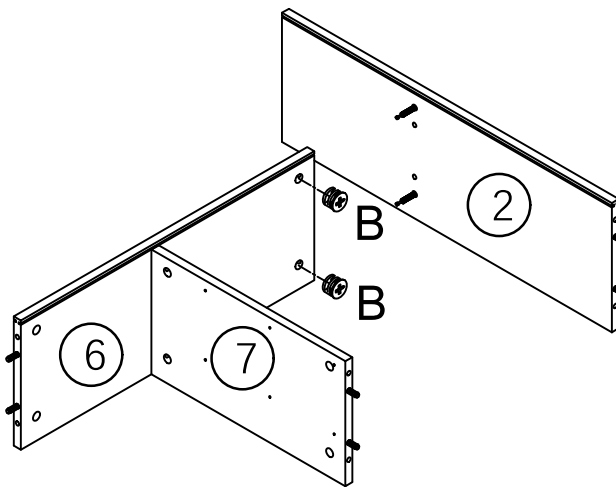
3



Put B on ⑦

B*2

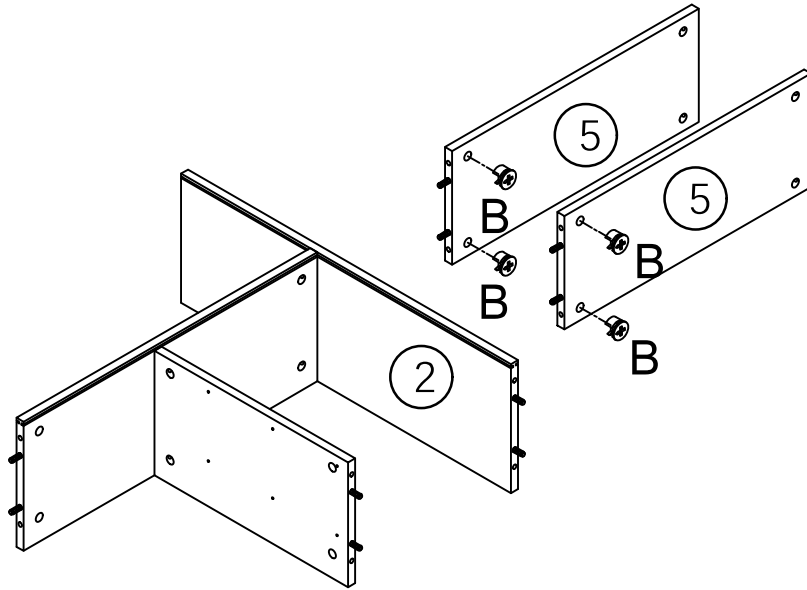
4



Put B on ⑥

B*2

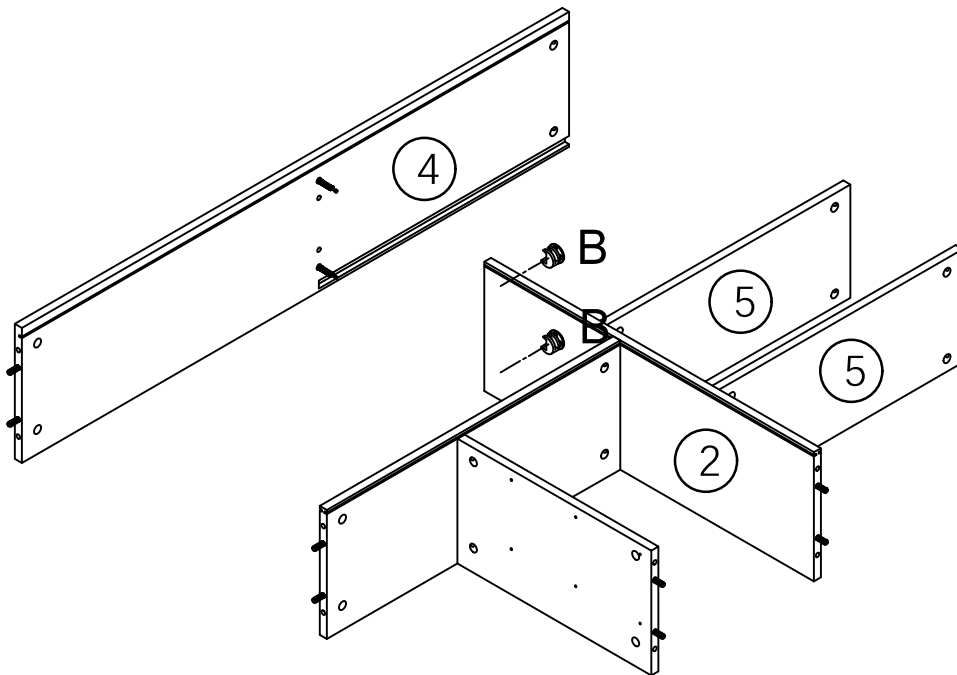
5



Put B on (5)

B*4

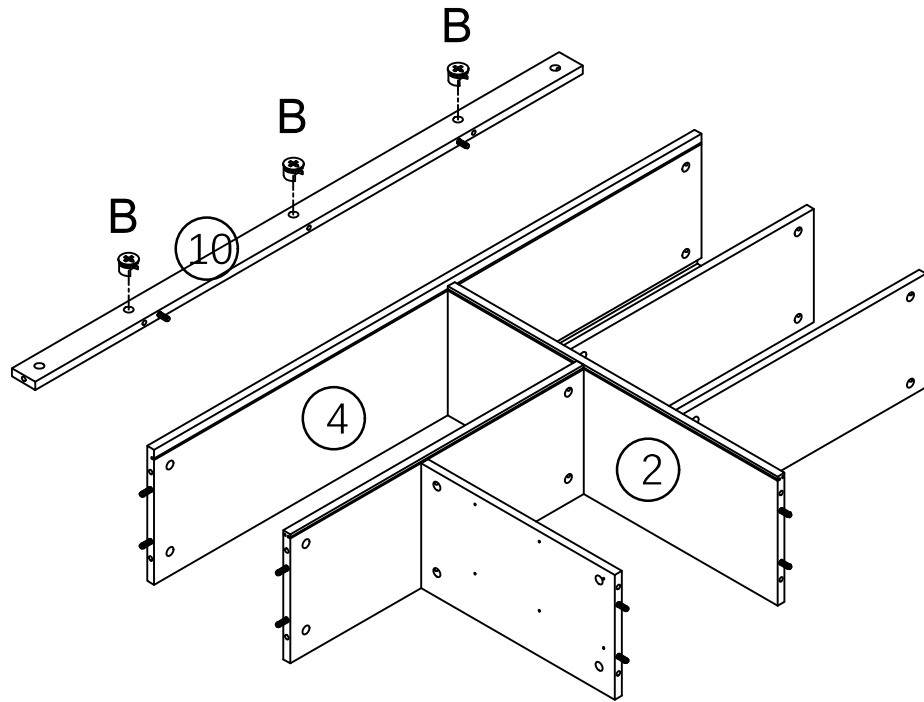
6



Put B on (2)

B*2

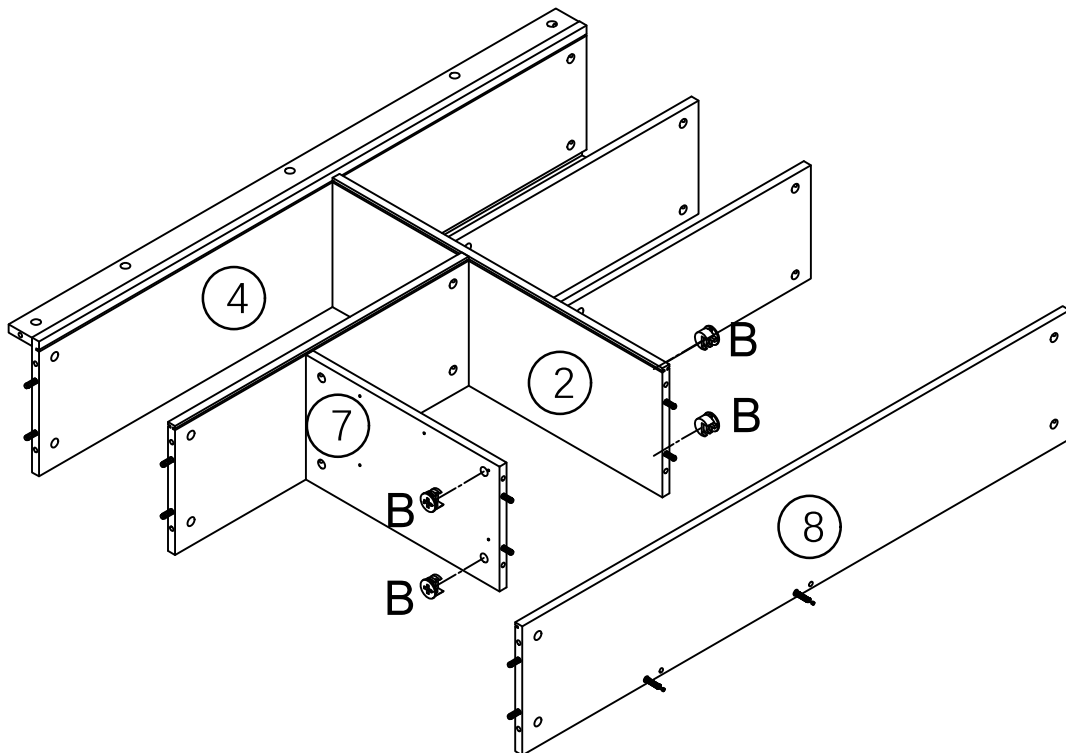
7



Put B on (10)

B*3

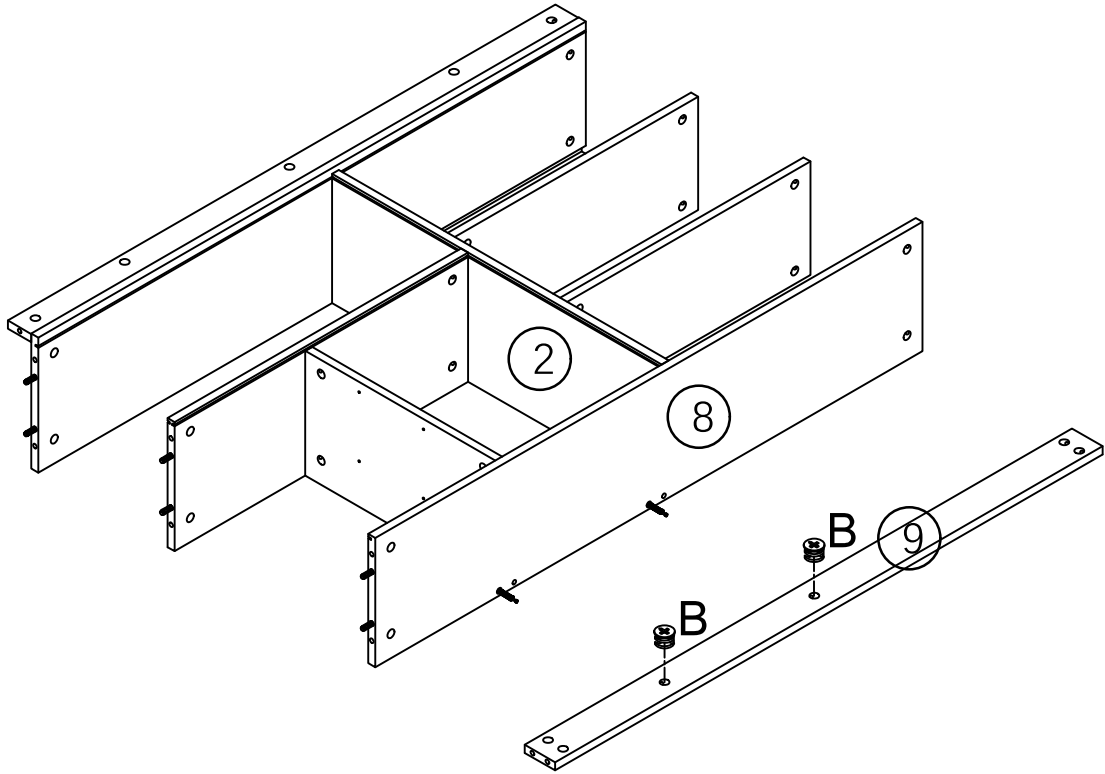
8



Put B on (2) (7)

B*4

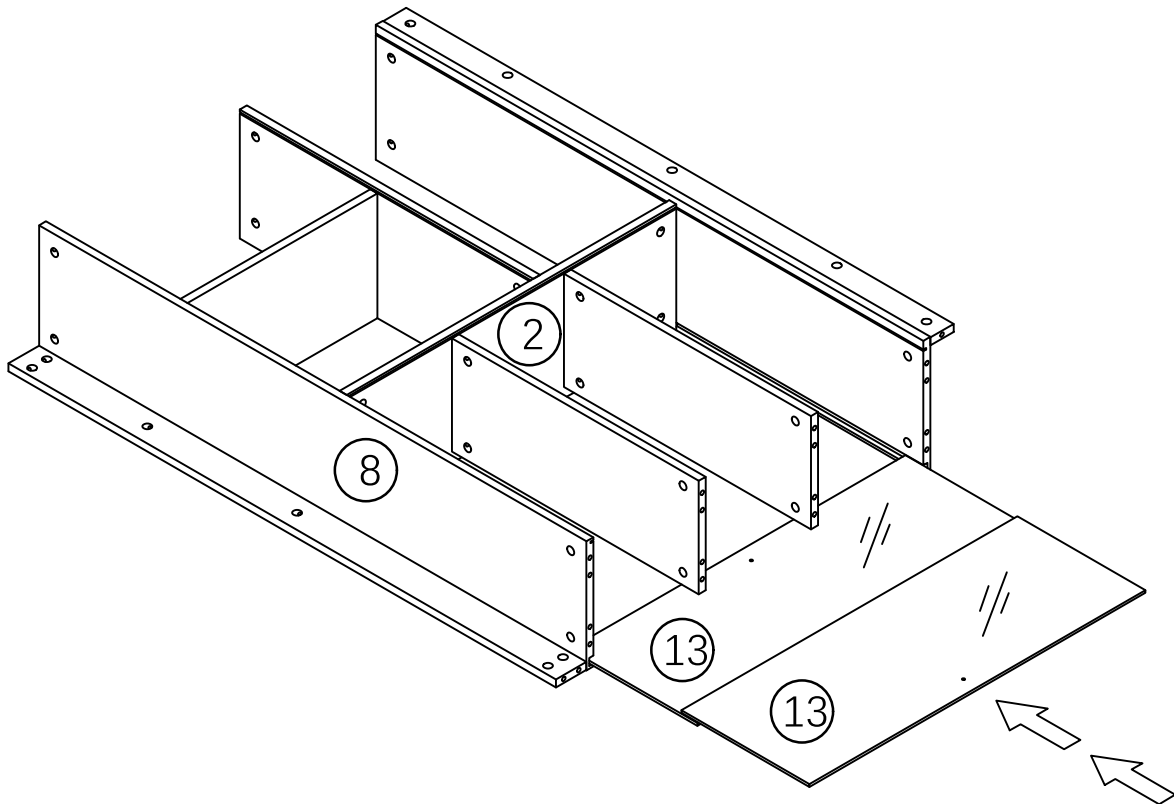
9



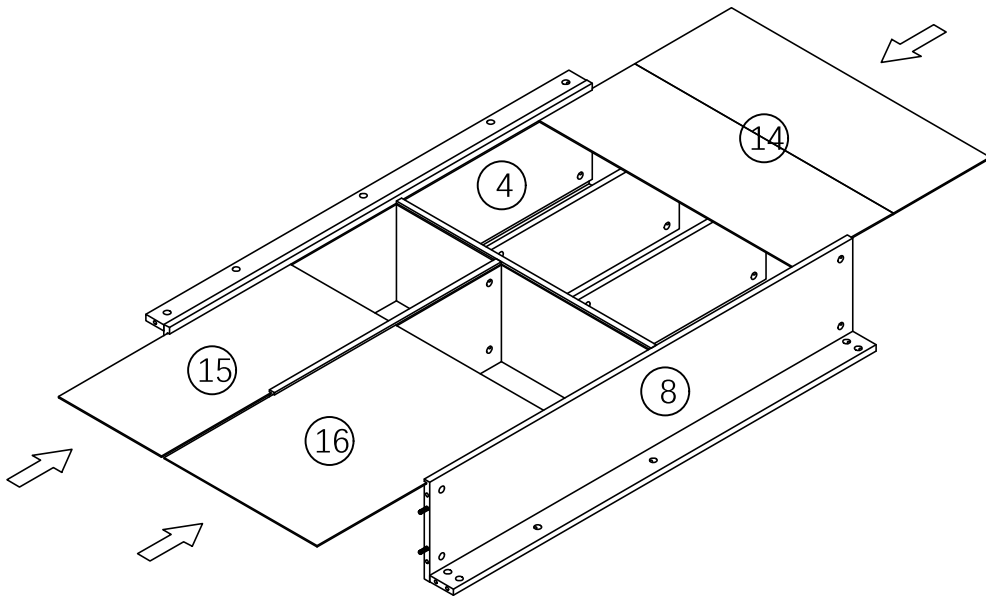
Put B on ⑨

B*2

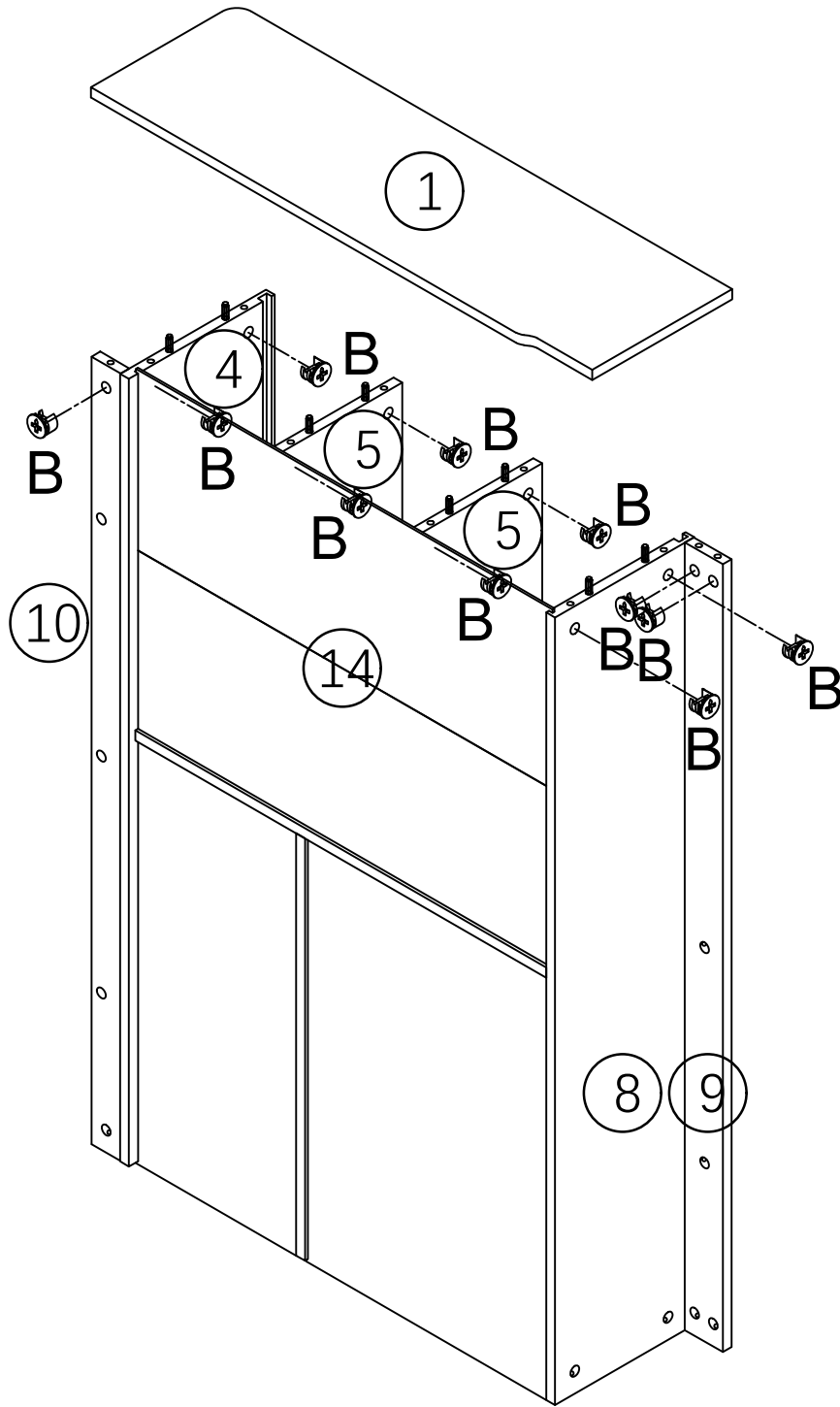
10



11



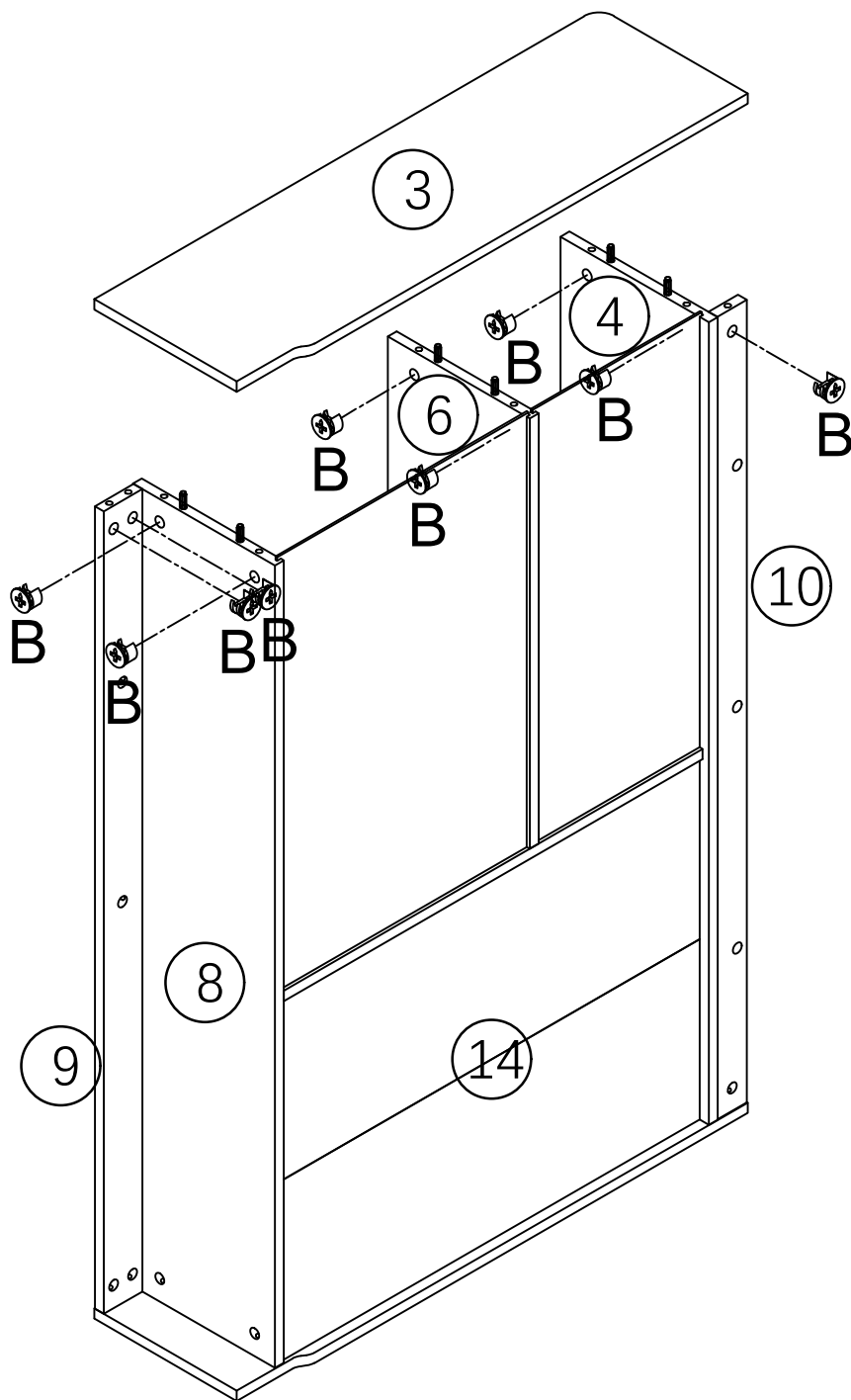
12



Put B on (4) (5) (8) (9) (10)

B*11

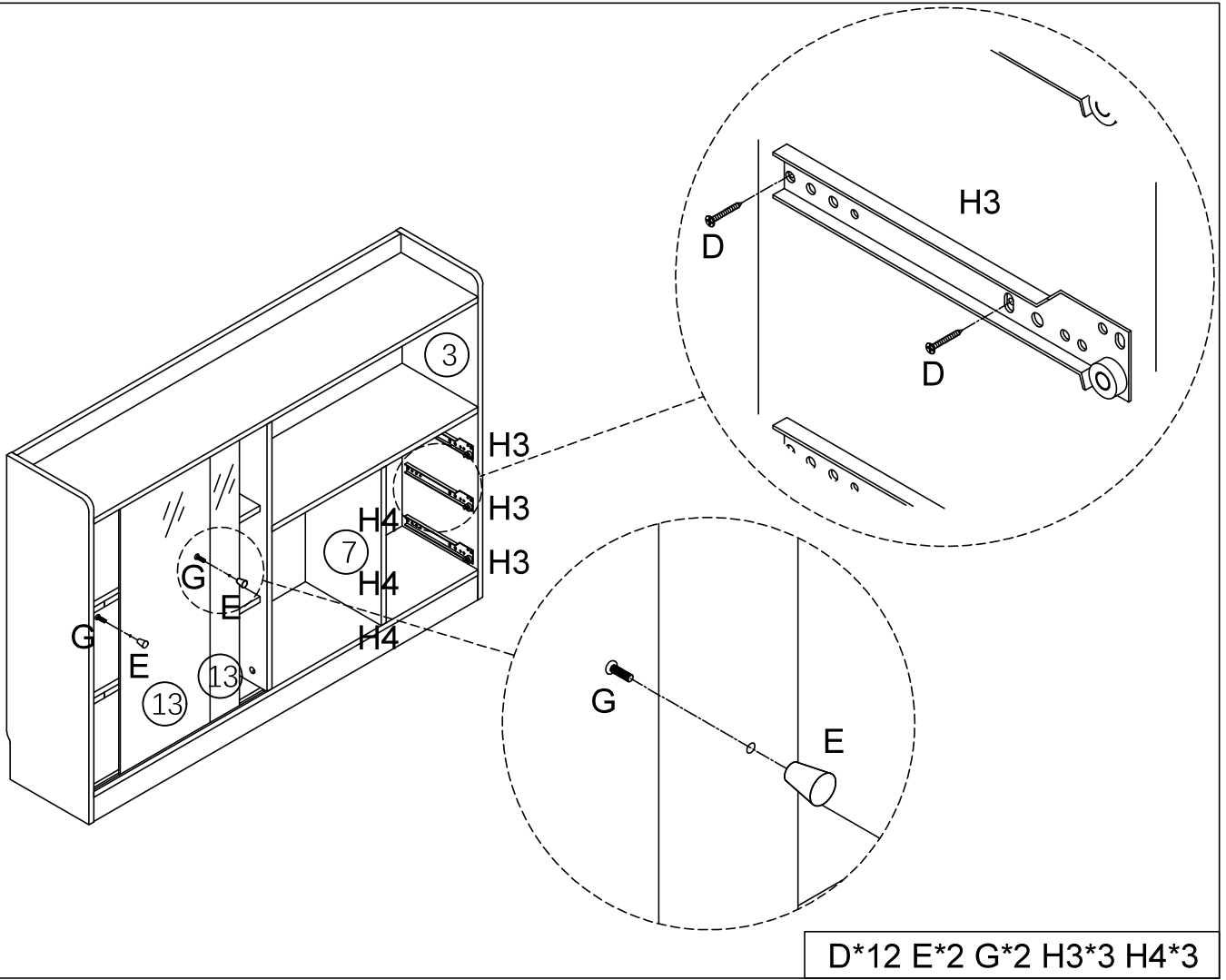
13



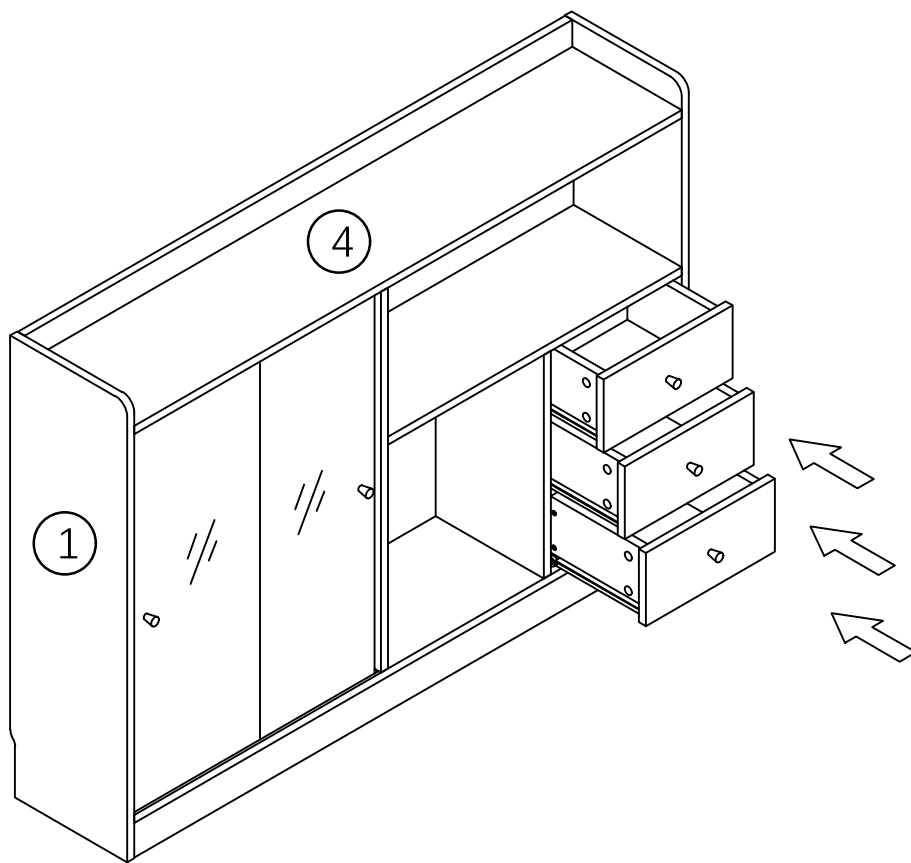
Put B on (4) (6) (8) (9) (10)

B*9

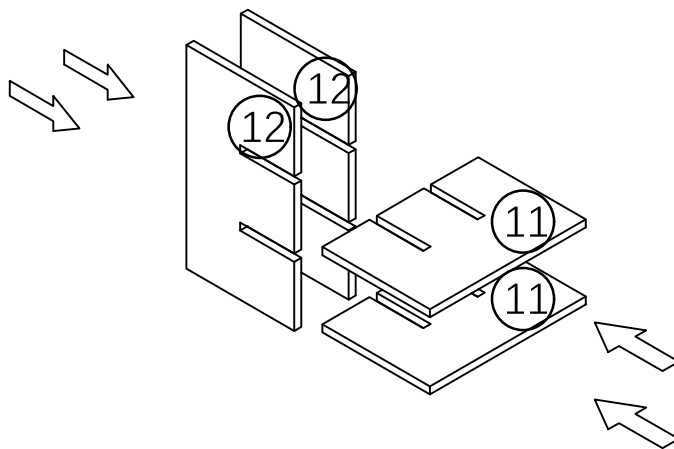
14

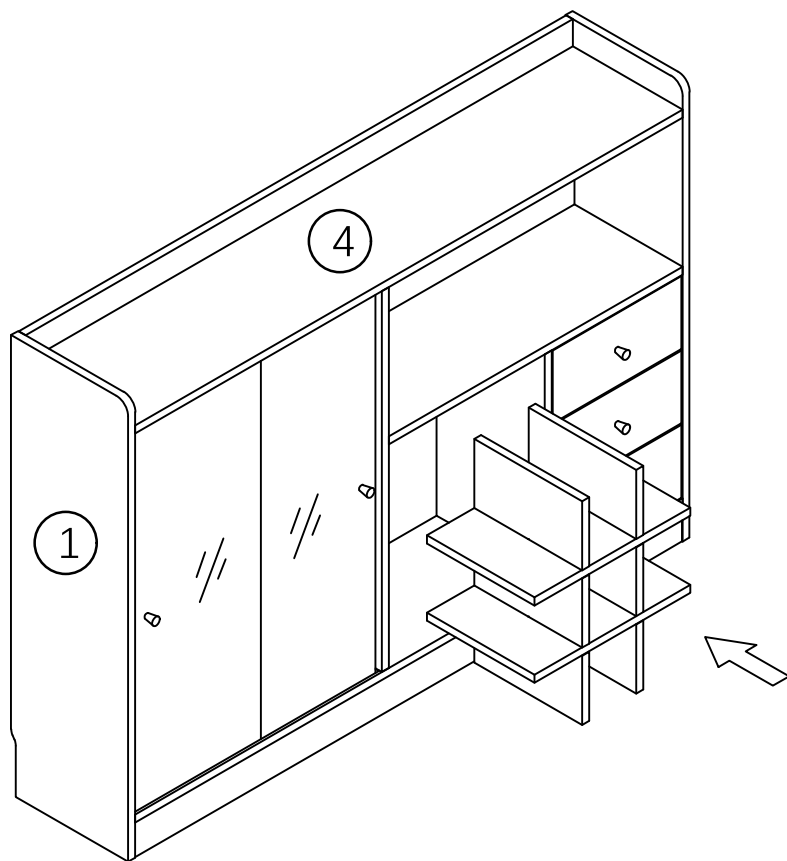


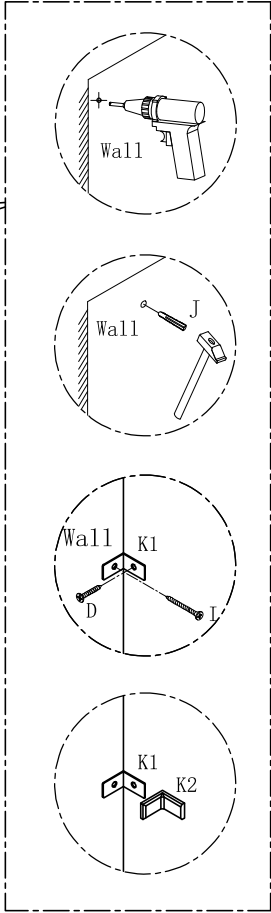
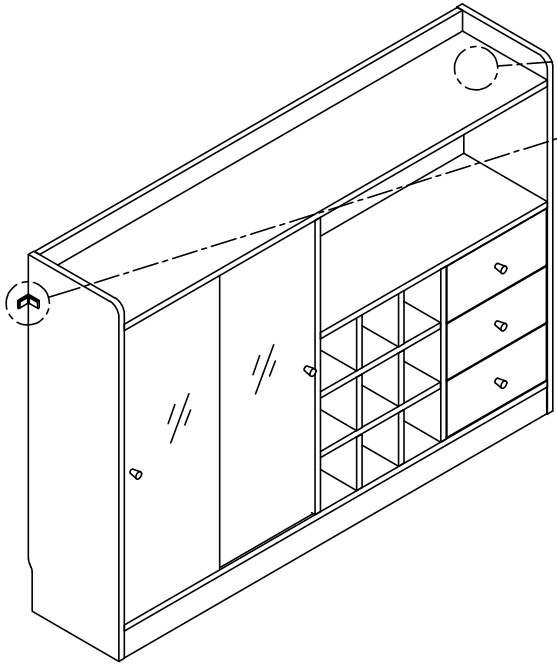
17



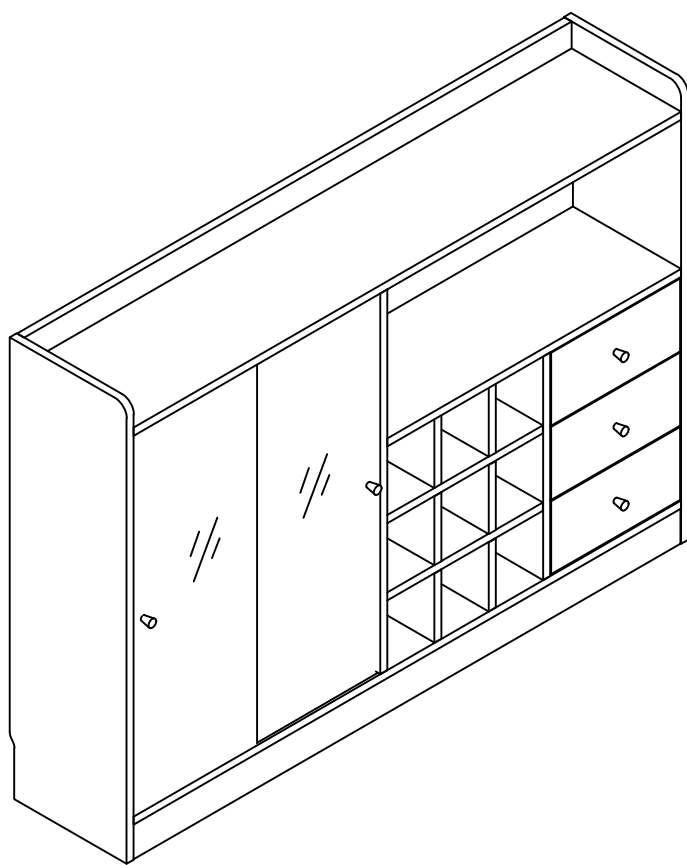
18







D*2 I*2 J*2 K*2



End