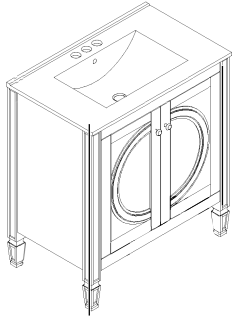


ASSEMBLY INSTRUCTIONS

Thank you for purchasing this quality Product. Be sure to check all packing material carefully for small parts, which may have come loose inside carton during shipment. Identify and count all parts and compare with the parts list below.




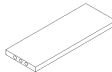



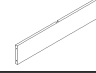
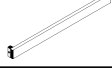
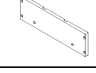
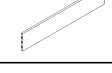
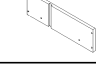

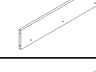
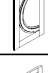
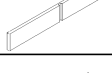

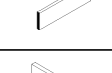
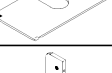

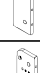
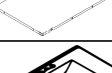


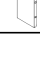


ASSEMBLY INSTRUCTION:

1. Remove hardware from box and sort by size.
2. Please check to see that all hardware and parts are present prior start of assembly.
3. Please follow attached instruction in the same sequence as numbered above for fast and easy assembly.

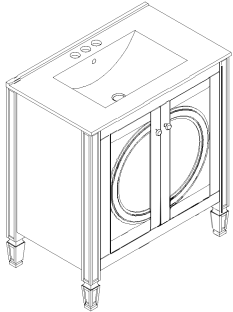
WARNING!

1. Do not attempt to repair or modify parts that are broken or defective. Please contact the store immediately.
2. This product is for home use only and not intended for commercial establishments.
3. Two persons are required for assembly.
4. Approximate assembly time 1/2 hours.
5. Component parts and fittings contained in the box. Please sort out all parts before you begin to assemble the item. This is to make sure you always use the correct part.
6. It is **STRONGLY RECOMMENDED** that you **ANCHOR** this product. Tying furniture can cause serious injuries and death. To prevent your furniture from tipping forward it is strongly recommended that you securely attach this product to a wall or other solid surface, using the anchor straps provided appropriate fixings.

No.	Component	Q'ty	No.	Component	Q'ty
1	 Side Panel-Left	1	14	 Racket Panel B (R)	1
2	 Side Panel-Right	1	15	 Mid Racket Panel	4
3	 Bottom Panel	1	16	 Round horizontal Bar	4
4	 Bottom Runner Panel	1	17	 Front Drawer Panel	1
5	 Front Rail - Above	1	18	 Sides Drawer Panel (L)	1
6	 Back Rail - Above	1	19	 Sides Drawer Panel(R)	1
7	 Back Panel - Low	1	20	 Back Drawer Panel	1
8	 Door left	1	21	 Horizontal divided drawers A	1
9	 Door right	1	22	 Horizontal divided drawers B	1
10	 Shelf	1	23	 Vertical divided drawers	1
11	 Racket Panel A (L)	1	24	 Bottom Drawer Panel	1
12	 Racket Panel A (R)	1	25	 Sink	1
13	 Racket Panel B (L)	1			

ASSEMBLY INSTRUCTIONS

Thank you for purchasing this quality Product. Be sure to check all packing material carefully for small parts, which may have come loose inside carton during shipment. Identify and count all parts and compare with the parts list below.

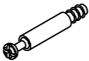


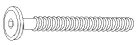









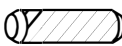



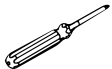
ASSEMBLY INSTRUCTION:

1. Remove hardware from box and sort by size.
2. Please check to see that all hardware and parts are present prior start of assembly.
3. Please follow attached instruction in the same sequence as numbered assure fast and easy assembly.

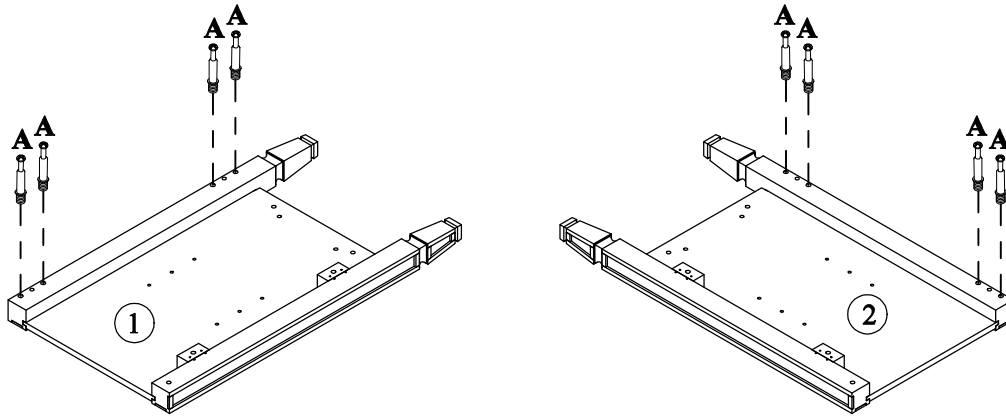
WARNING!

1. Don't attempt to repair or modify parts that are broken or defective. Please contact the store immediately.
2. This product is for home use only and not intended for commercial establishments.
3. Two persons are required for assembly.
4. Approximate assembly time 1/2 hours.
5. Component parts and fittings contained in the box. Please sort out all parts before you begin to assemble the item. This is to make sure you always use the correct part.
6. It is **STRONGLY RECOMMENDED** that you **ANCHOR** this product. Tipping furniture can cause serious injuries and death. To prevent your furniture from tipping forward it is strongly recommended that you securely attach this product to a wall or other solid surface, using the anchor straps provided appropriate fixings.

No.	Hardware	Q'ty
A	 Cam Lock Screws	28
B	 Cam Lock	28
C	 Screws $\varnothing 8 \times 4 \times 32 \text{mm}$	15
D	 Allen Bolts 1/4" x 28	6
E	 Flat Washers 1/4" x 16 x 1	6
F	 Allen key	1
G	 Handle	2
H	 Screws $\varnothing 5/32" \times 25 \text{mm}$	2
I	 Hinges	4
J	 Screws $\varnothing 7 \times 3.5 \times 15 \text{mm}$	24

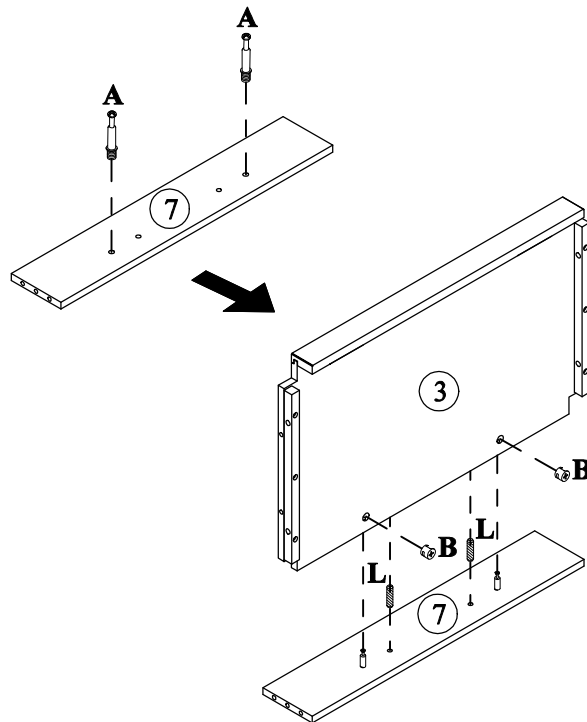
No.	Hardware	Q'ty
K	 Shelf Support	4
L	 Wooden $\varnothing 8 \times 30 \text{mm}$	36
M	 Wooden $\varnothing 6 \times 30 \text{mm}$	10
N	 Anti fall hardware (sets)	1
P	 Screws $\varnothing 7 \times 3.5 \times 12 \text{mm}$	4
 Not Included		

Step 1



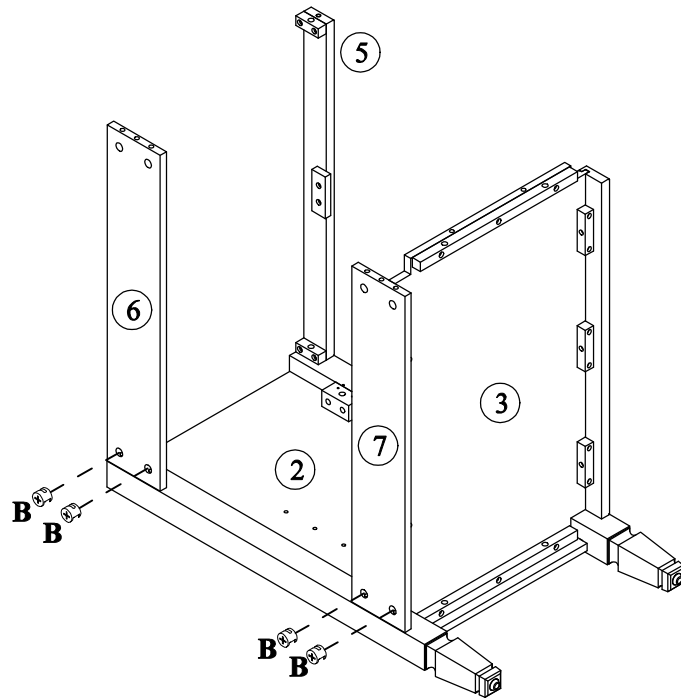
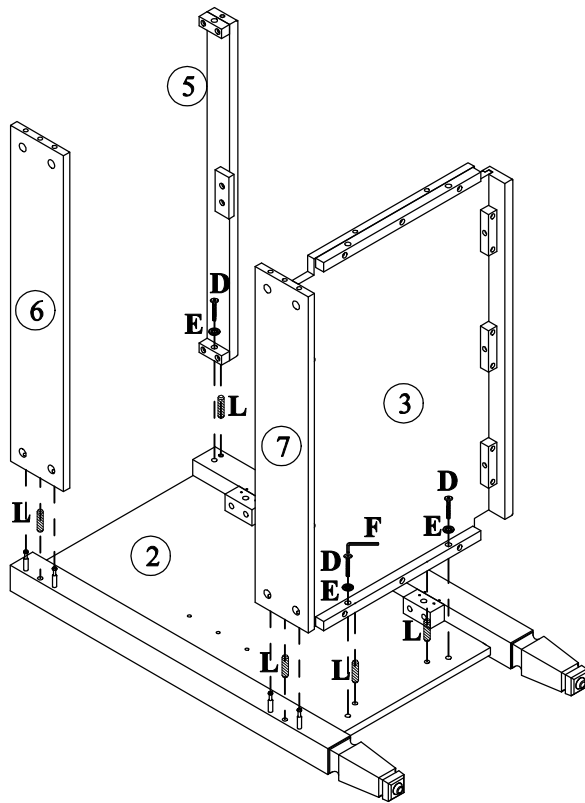
No	Hardware	Q'ty
A	Cam Lock Screws	8

Step 2



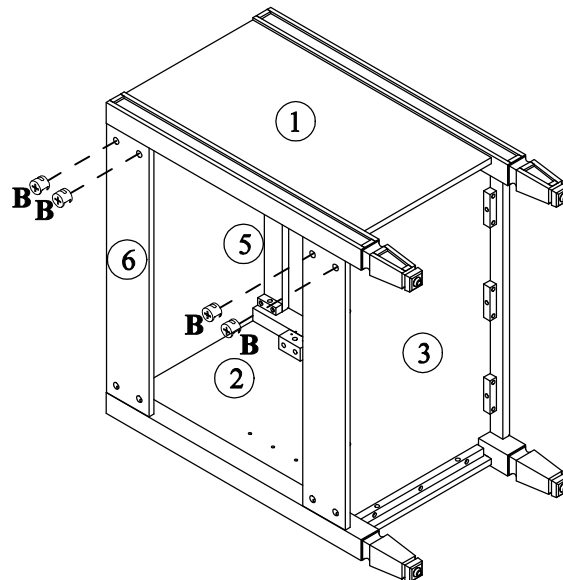
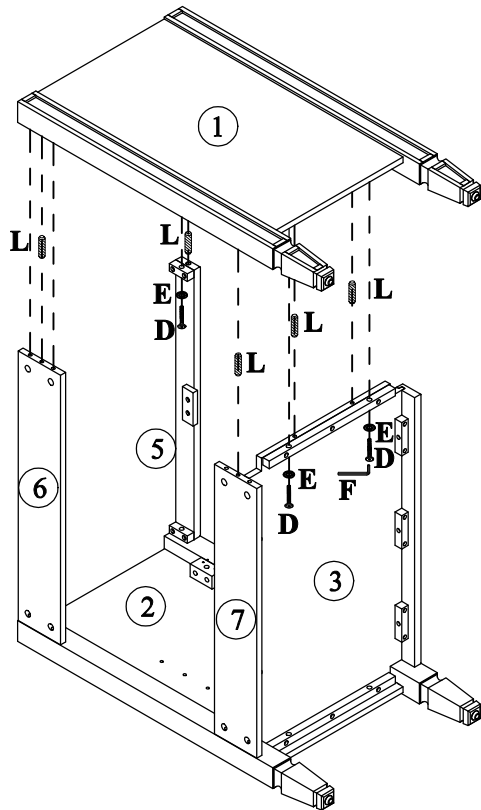
No	Hardware	Q'ty
A	Cam Lock Screws	2
B	Cam Lock	2
L	Wooden ø8x30mm	2

Step 3



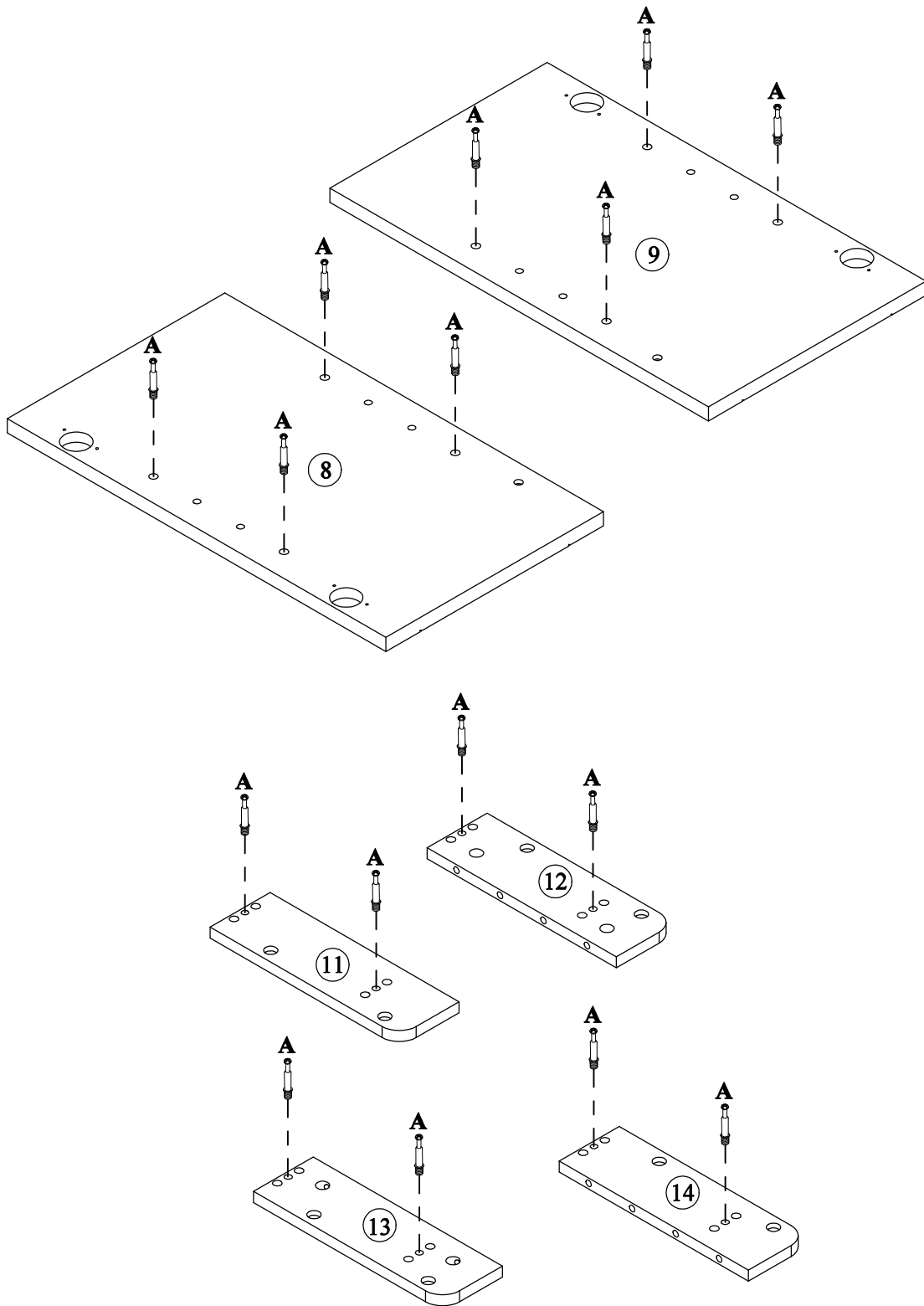
No	Hardware	Q'ty
B	Cam Lock	4
D	Allen Bolts 1/4" x 28	3
E	Flat Washers 1/4"x16x1	3
F	Allen key	1
L	Wooden ø8x30mm	5

Step 4



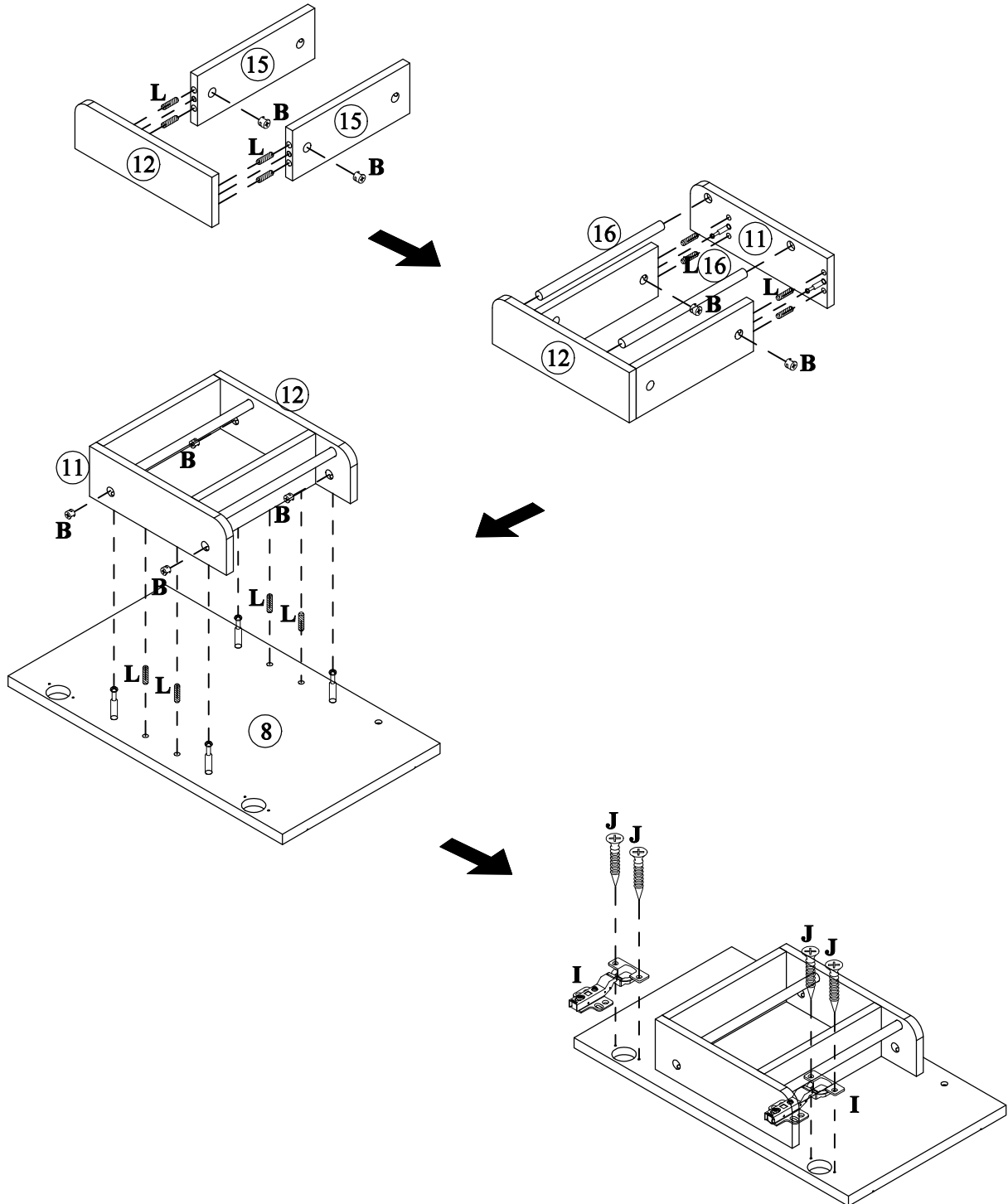
No	Hardware	Q'ty
B	Cam Lock	4
D	Allen Bolts 1/4" x 28	3
E	Flat Washers 1/4"x16x1	3
F	Allen key	1
L	Wooden ø8x30mm	5

Step 5



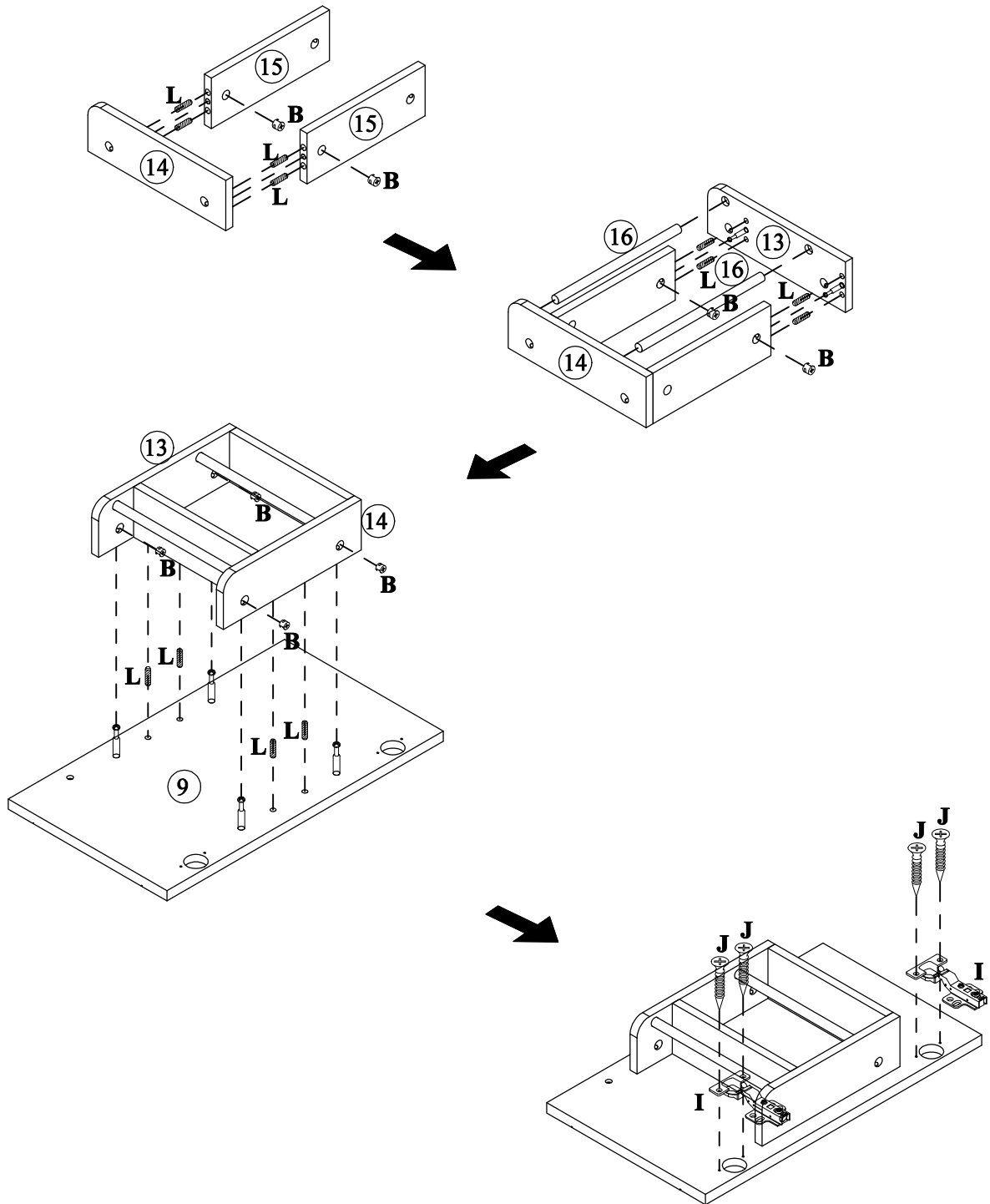
No	Hardware	Q'ty
A	Cam Lock Screws	16

Step 6



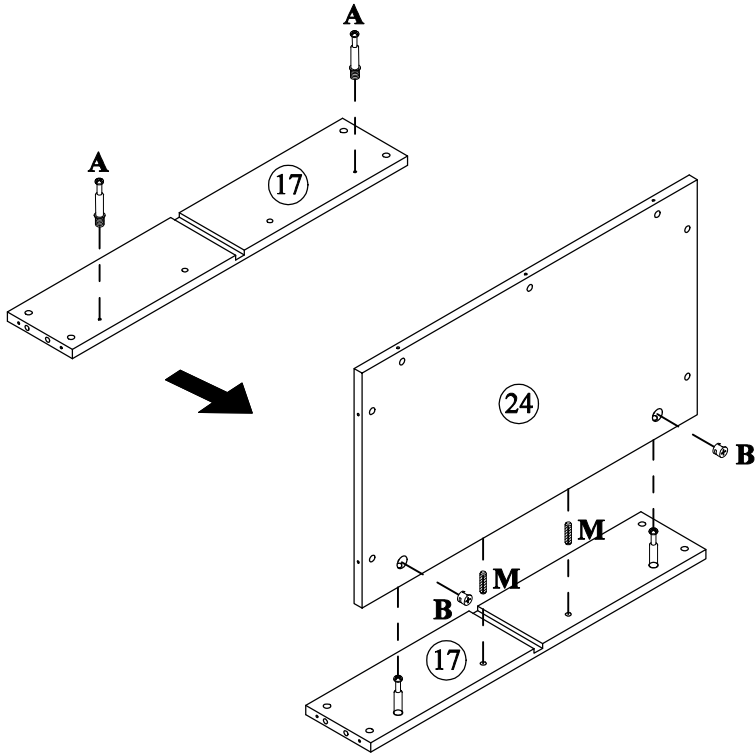
No	Hardware	Q'ty
B	Cam Lock	8
I	Hinges	2
J	Screws $\varnothing 7 \times \varnothing 3.5 \times 12 \text{mm}$	4
L	Wooden $\varnothing 8 \times 30 \text{mm}$	12

Step 7



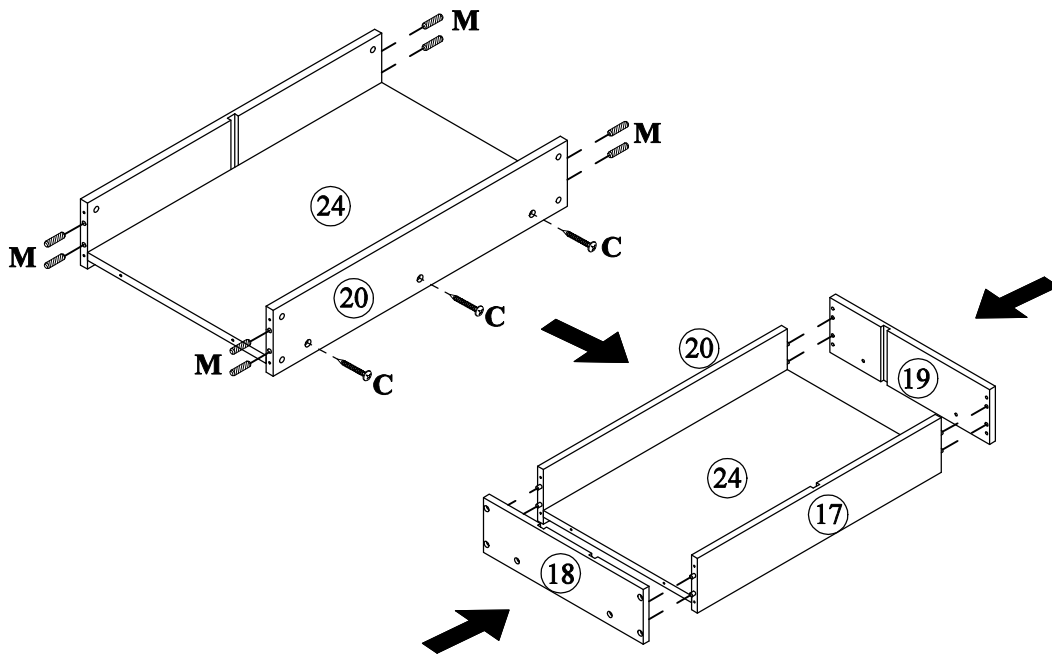
No	Hardware	Q'ty
B	Cam Lock	8
I	Hinges	2
J	Screws $\varnothing 7 \times \varnothing 3.5 \times 12 \text{mm}$	4
L	Wooden $\varnothing 8 \times 30 \text{mm}$	12

Step 8



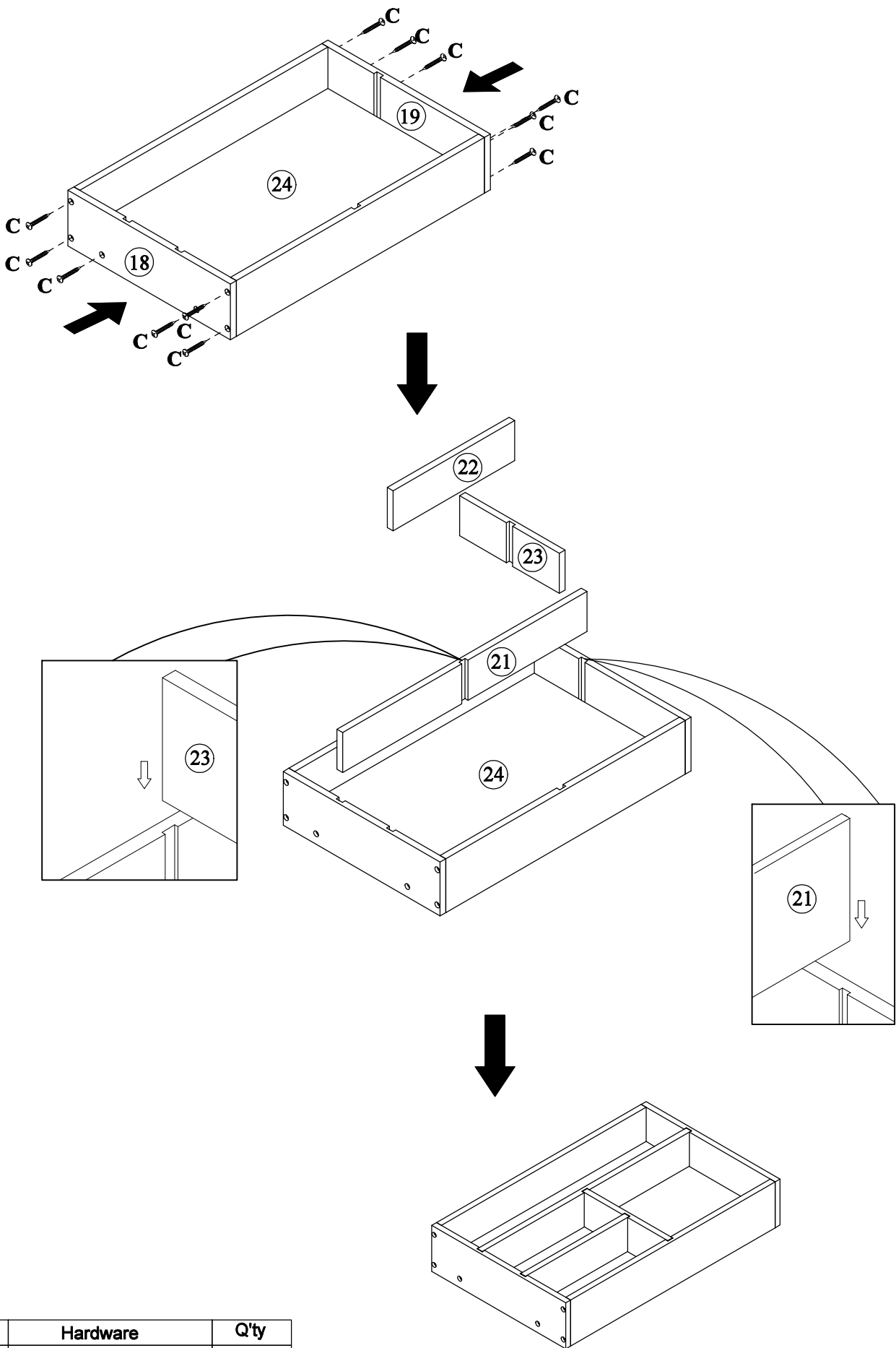
No	Hardware	Q'ty
A	Cam Lock Screws	2
B	Cam Lock	2
M	Wooden $\varnothing 6 \times 30 \text{mm}$	2

Step 9



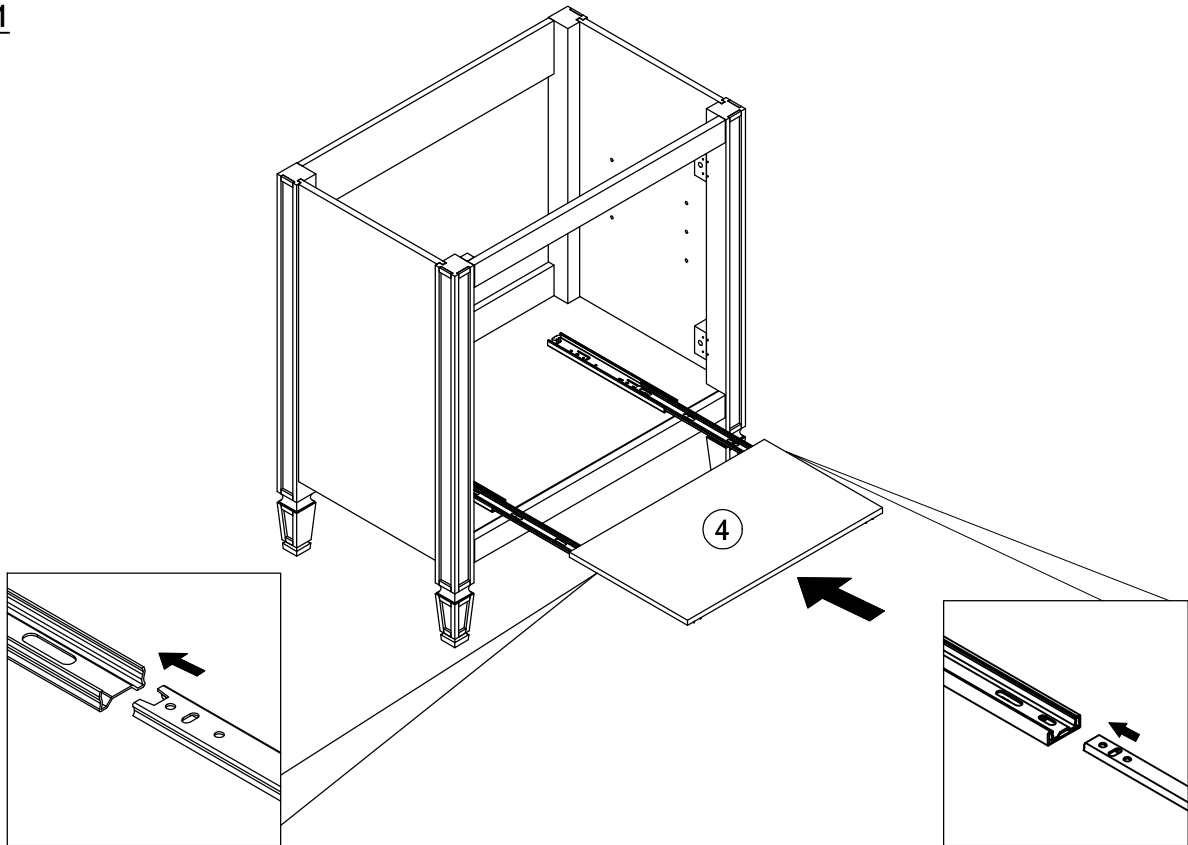
No	Hardware	Q'ty
C	Screws $\varnothing 8 \times \varnothing 4 \times 32 \text{mm}$	3
M	Wooden $\varnothing 6 \times 30 \text{mm}$	8

Step 10

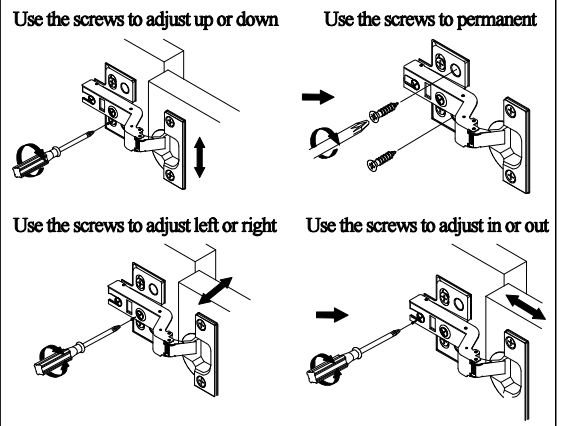
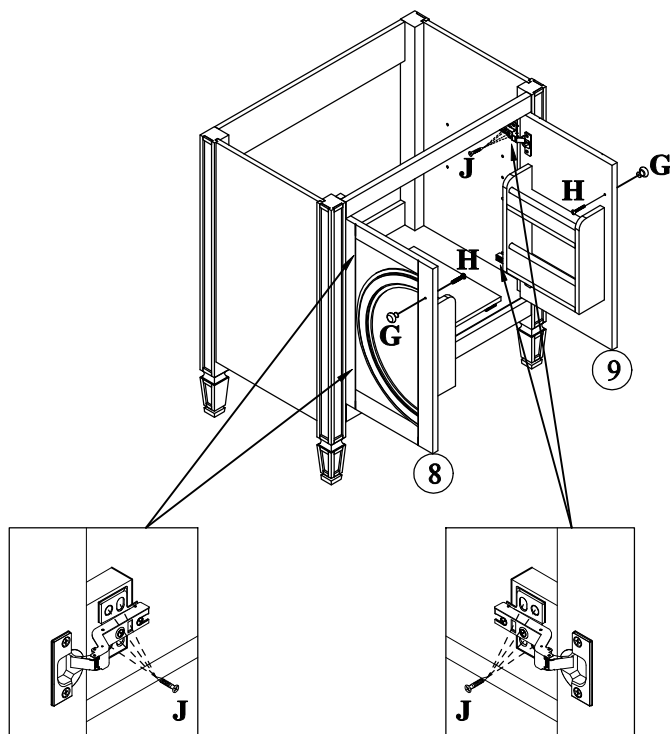


No	Hardware	Q'ty
C	Screws $\varnothing 8 \times \varnothing 4 \times 32 \text{mm}$	12

Step 11

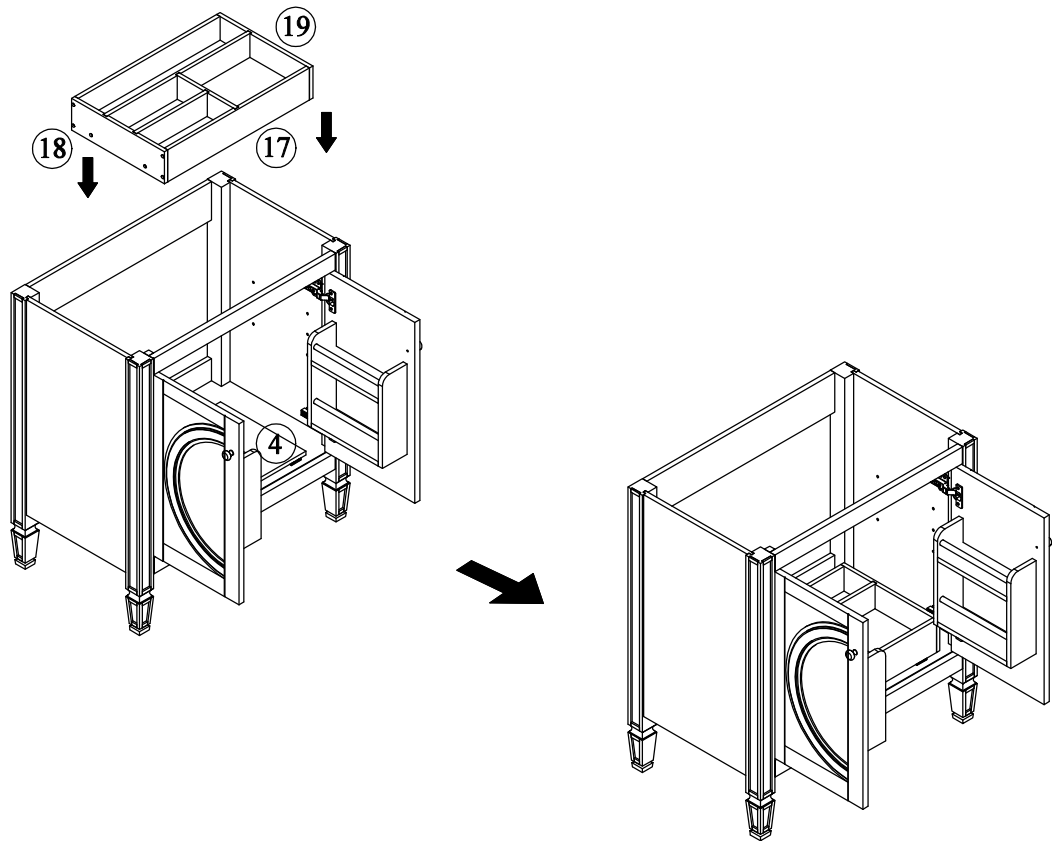


Step 12

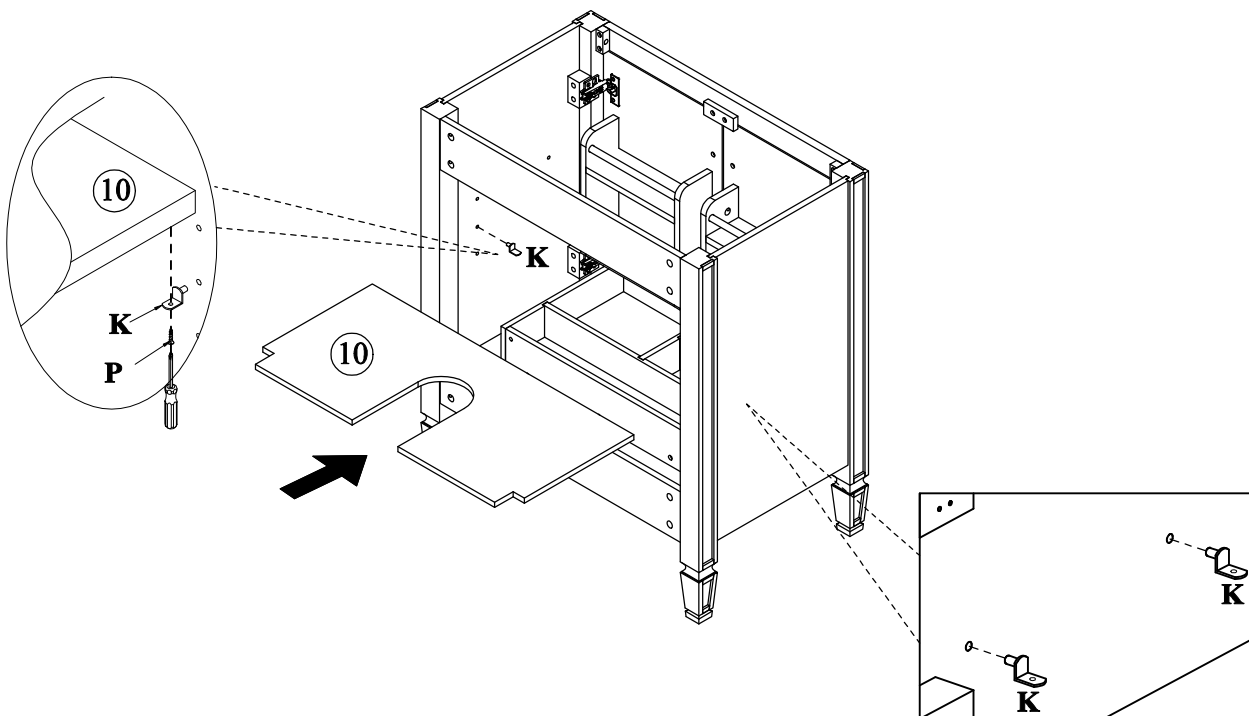


No	Hardware	Q'ty
H	Screws $\phi 5/32 \times 25\text{mm}$	2
G	Handle	2
J	Screws $\phi 7 \times \phi 3.5 \times 12\text{mm}$	16

Step 13

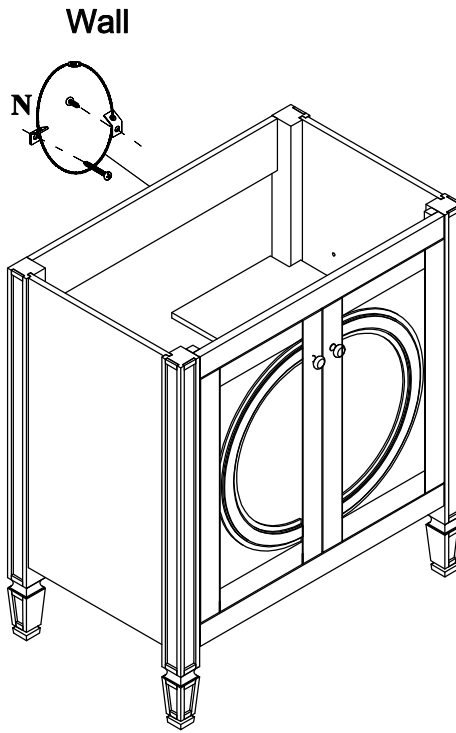


Step 14



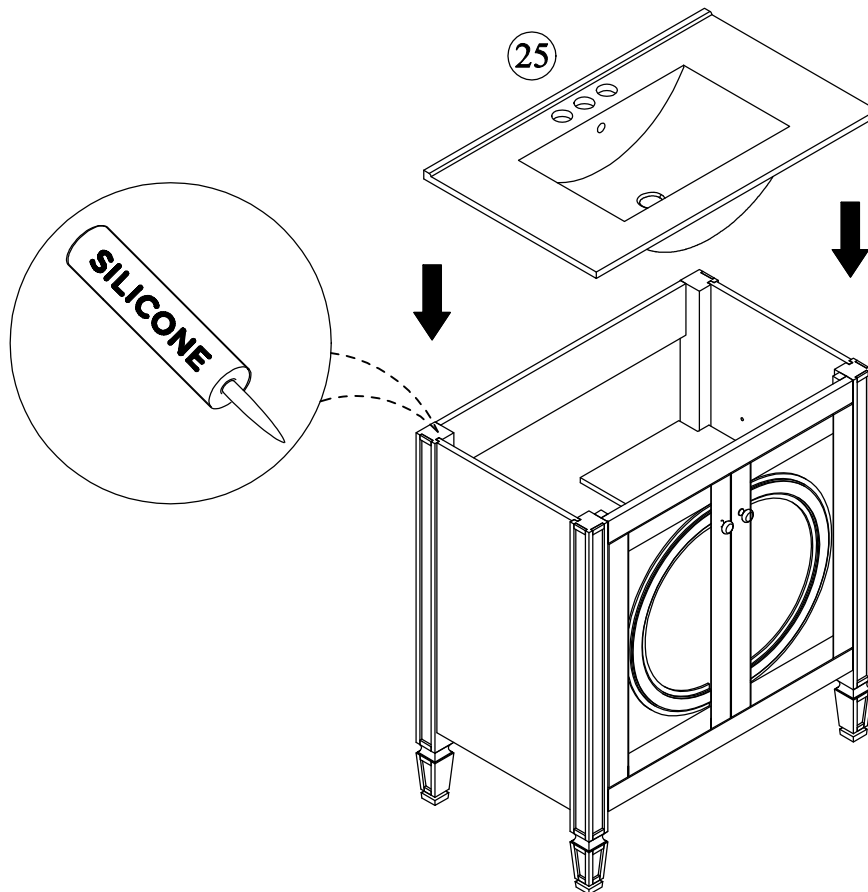
No	Hardware	Q'ty
K	Shelf Support	4
P	Screws $\varnothing 7 \times \varnothing 3.5 \times 12 \text{mm}$	4

Step 15



No	Hardware	Q'ty
N	Anti fall hardware	1

Step 16



Step 17

