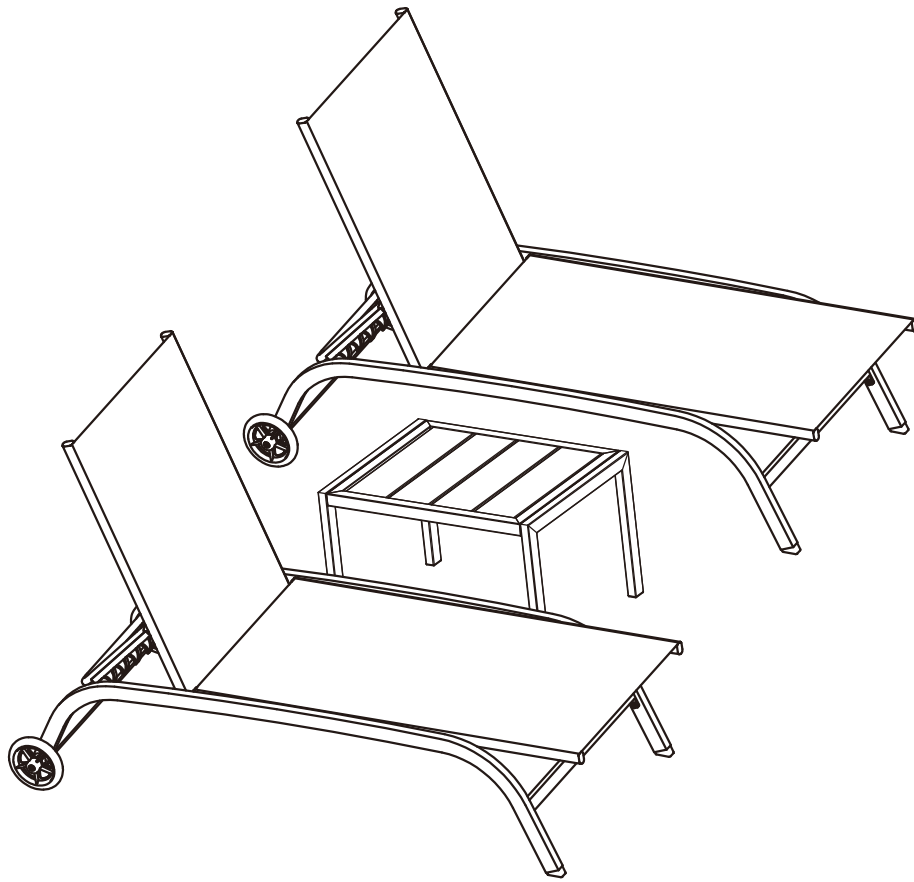
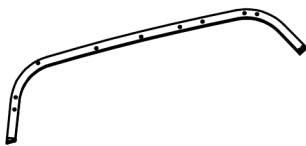
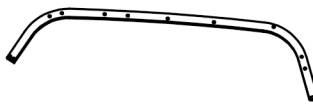
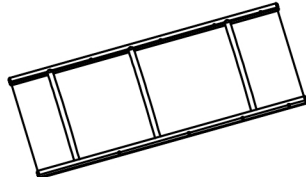
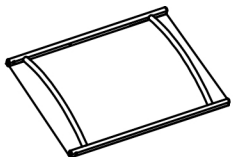
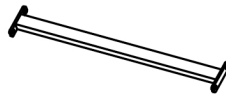
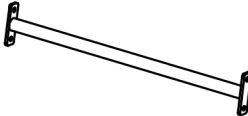
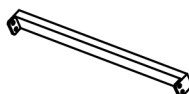


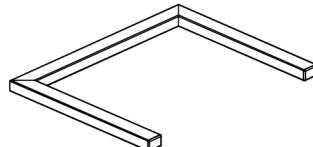
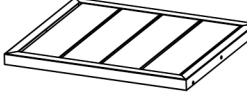









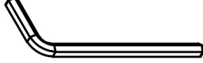


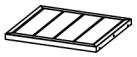
# PATIO CHAISE LOUNGE CHAIRS SET OF 3

## **ASSEMBLY MANUAL**

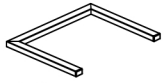


 <p>(A) 2X</p>	 <p>(B) 2X</p>	 <p>(C) 2X</p>
 <p>(D) 2X</p>	 <p>(E) 2X</p>	 <p>(F) 2X</p>
 <p>(G) 2X</p>	 <p>(H) 2X</p>	 <p>(J) 4X</p>
 <p>(K) 2X</p>	 <p>(L) 1X</p>	 <p>(M) 4X M8X70</p>
 <p>(N) 24X M6X35</p>	 <p>(P) 6X M6X30</p>	 <p>(Q) 24X M6X18</p>
 <p>(R) 54X D6</p>	 <p>(S) 6X</p>	 <p>(T) 4X</p>
 <p>(U) 4X</p>	 <p>(V) 2X S4</p>	 <p>(W) 2X S5</p>

Friendly Tip: Please do not completely tighten the screws during assembly. After all the screws are assembled in place, tighten them together. Remember to wear gloves.



Ⓛ 1X



Ⓚ 1X



Ⓢ 3X



Ⓟ 3X M6X30

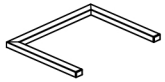
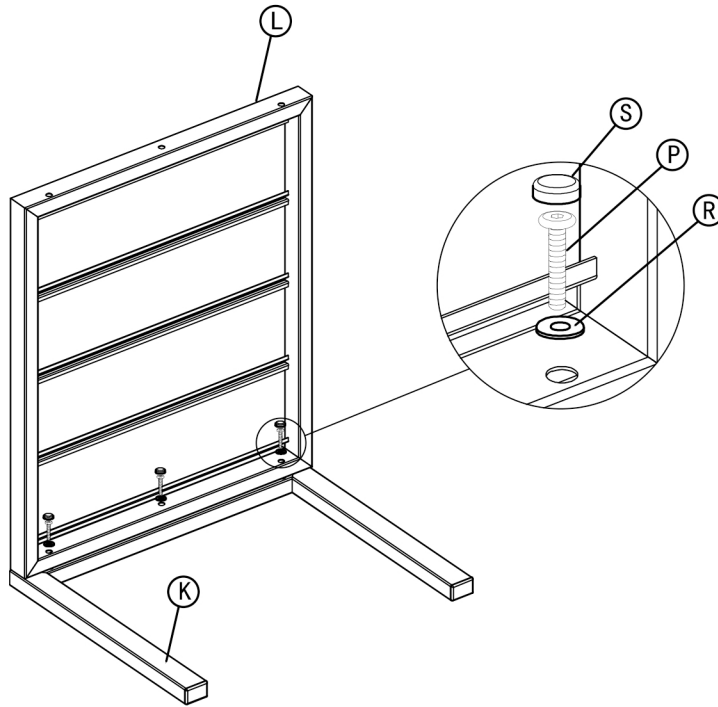


Ⓡ 3X



Ⓥ 1X S4

Step 1: Place part S,P,R as shown in the figure to connect part L (table top) and part K (legs).



Ⓚ 1X



Ⓢ 3X



Ⓟ 3X M6X30

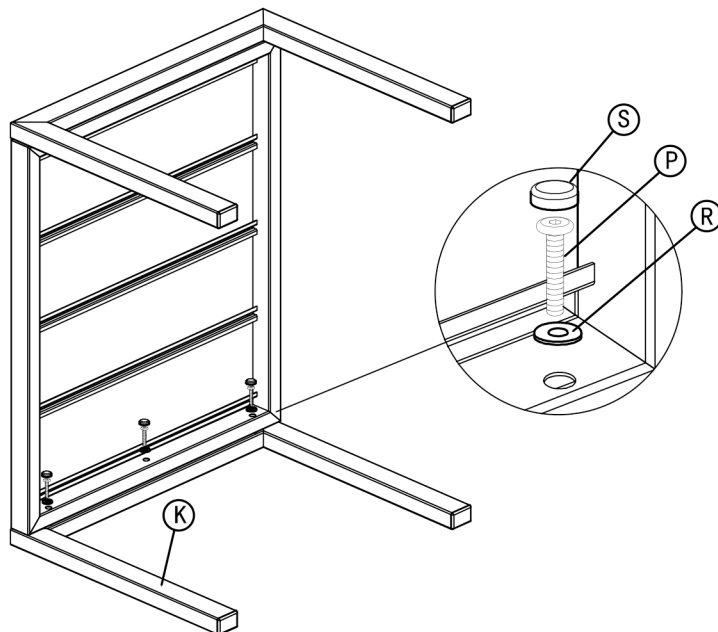




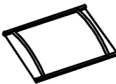




Ⓡ 3X



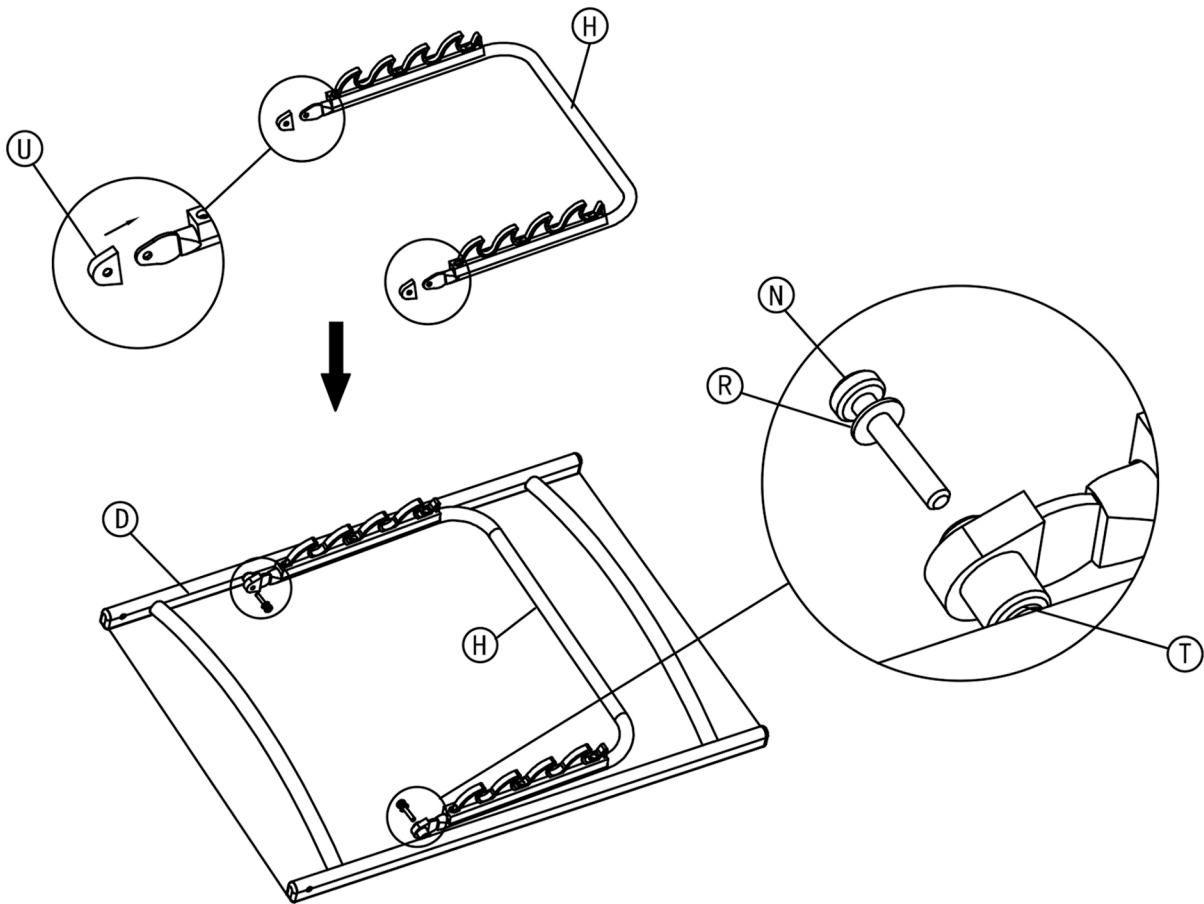
Ⓥ 1X S4

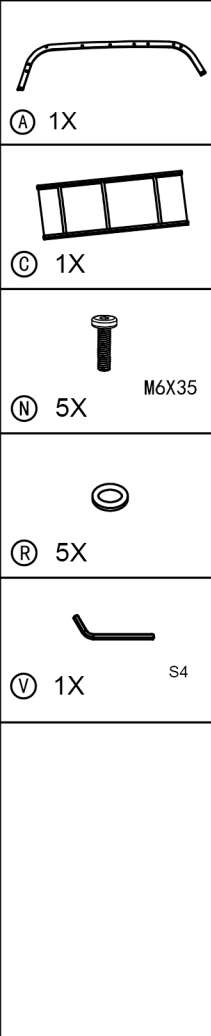
Step 2: Repeat to install 4 four part K (legs).



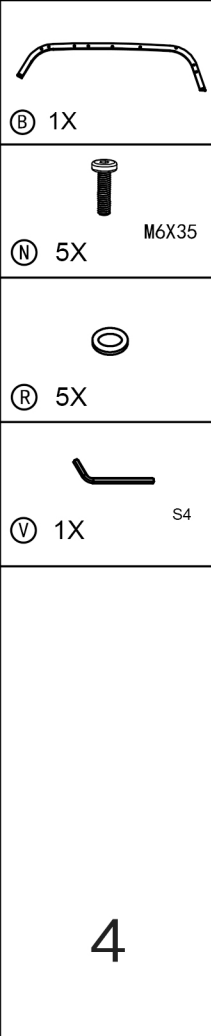
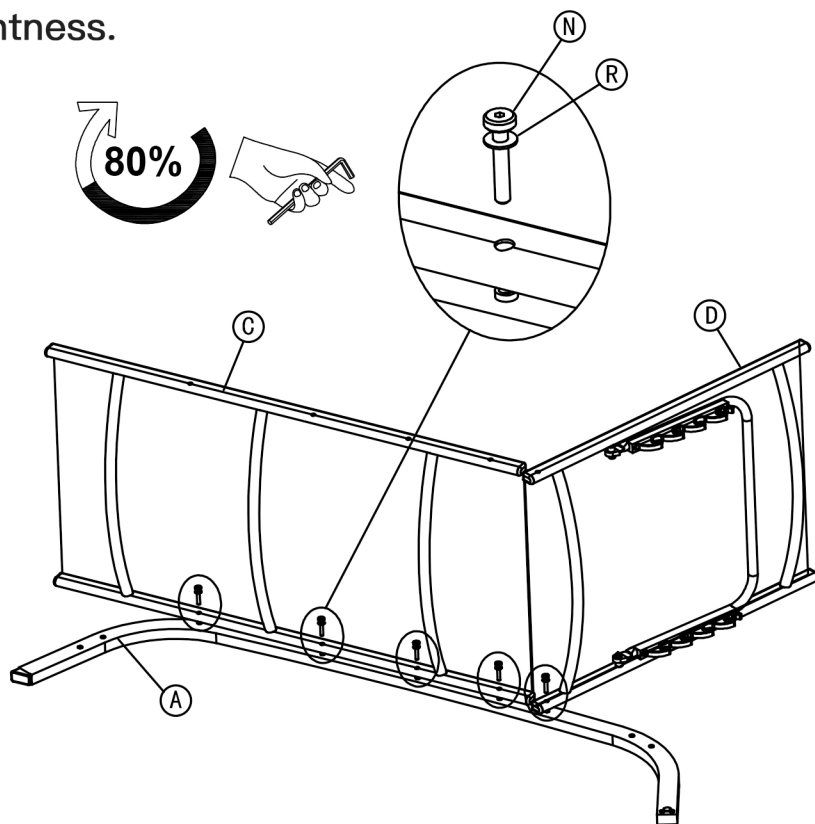
-  (H) 1X
-  (U) 2X
-  (D) 1X
-  (N) 2X M6X35
-  (R) 2X
-  (T) 2X
-  (V) 1X S4

Step 3: Install part U on part H first. Then place part N (bolt M6X35), R(gaskets), T(thick plastic Gaskets) as shown in the figure to connect part H and part D.

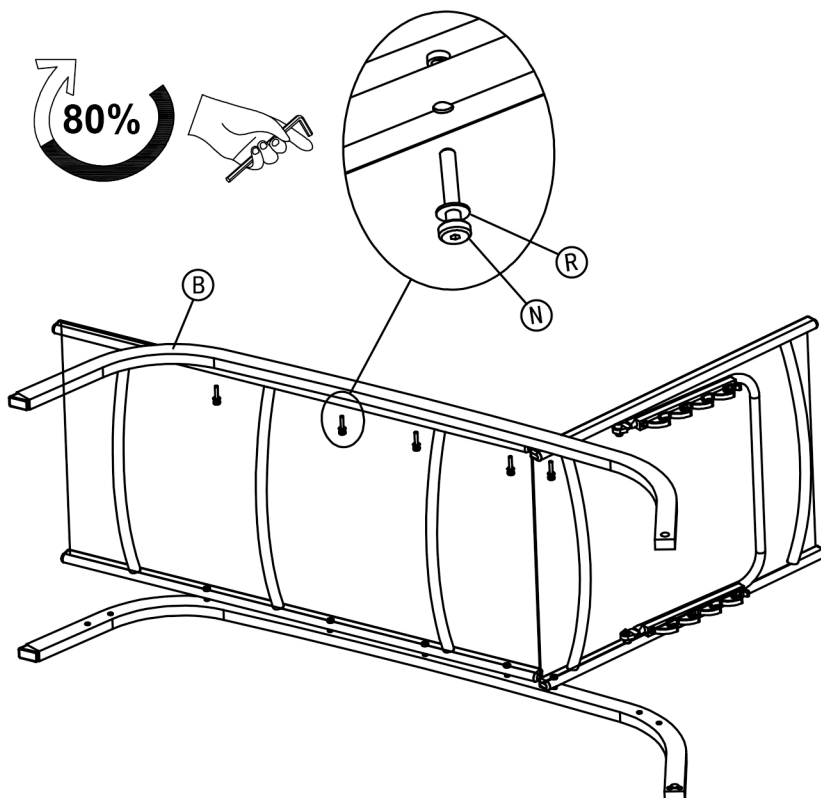



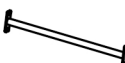
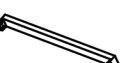





Step 4: Place part N and R in the 5 locations as shown (4 for connecting Part C and A with 1 for connecting Part C with D). Please be careful not to tighten every hole position, only to 80% tightness.

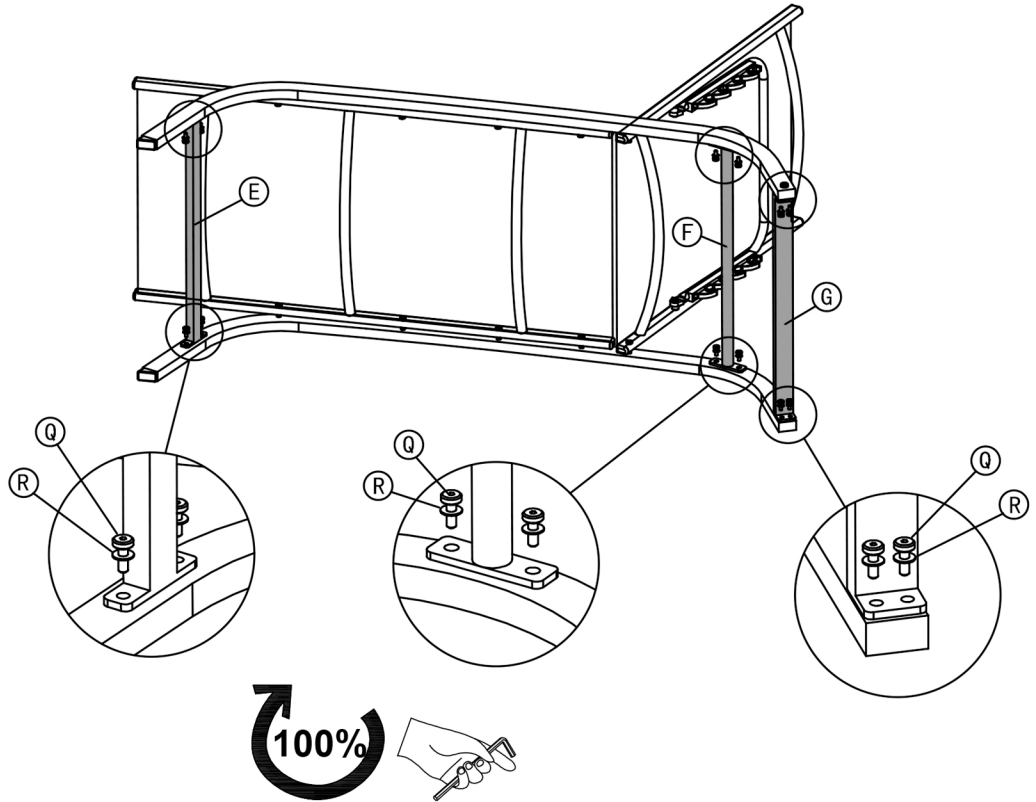





Step 5: Repeat the above procedures to assemble the another side.



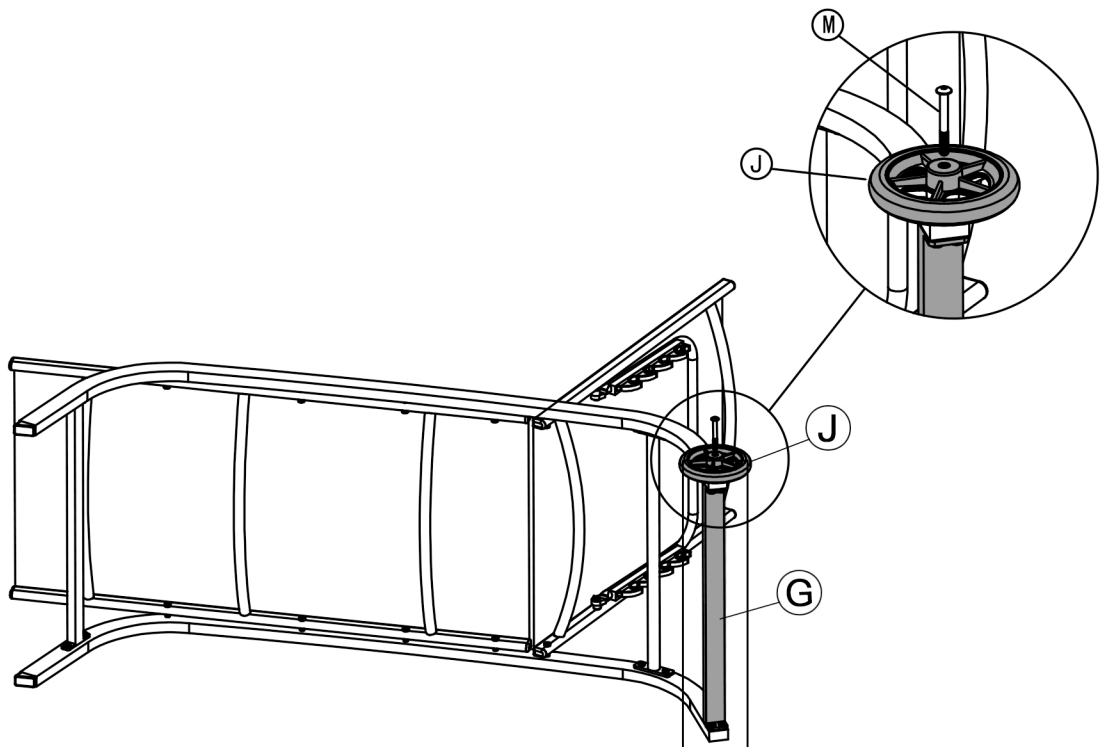
-  (E) 1X
-  (F) 1X
-  (G) 1X
-  (R) 12X
-  (Q) 12X M6X18
-  (V) 1X S4

Step 6: Place part Q and R as shown to fix part E in the middle of part A and B. Repeat this action to fix part F,G in the middle of part A and B as shown. Please tighten them all at once.



-  (J) 1X
-  (M) 1X M8X70
-  (W) 1X S5

Step 7: Place part M as shown to fix part J to one side of part G.





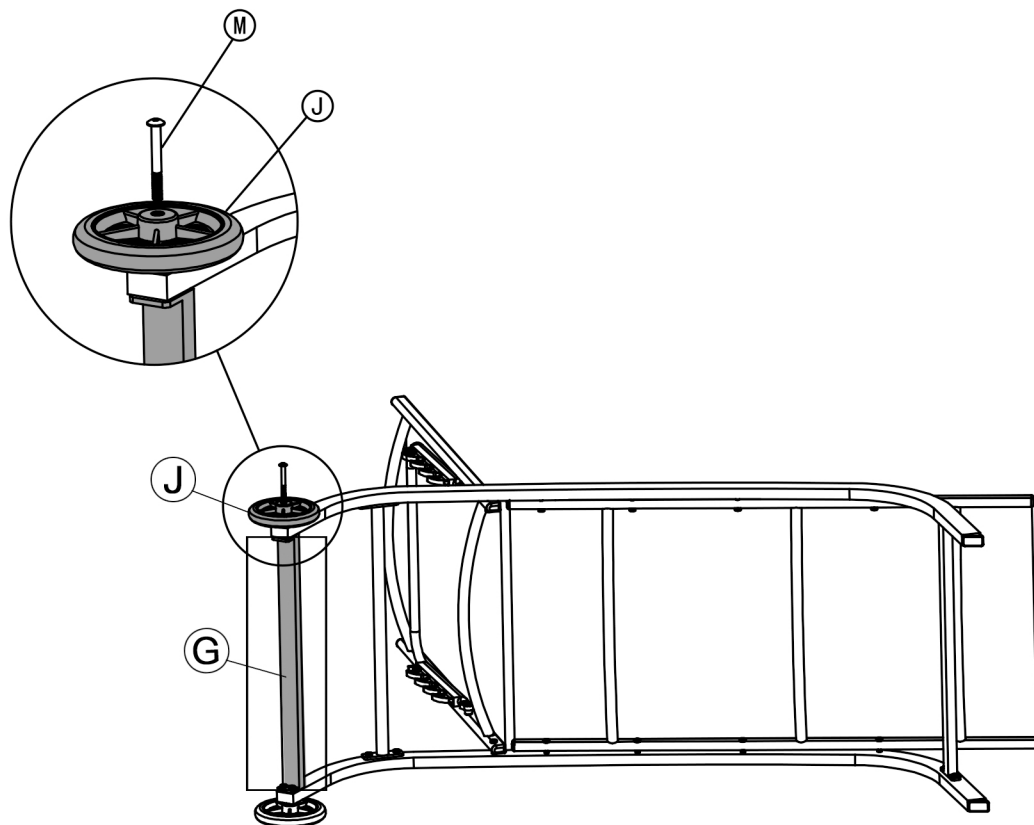
Ⓝ 1X



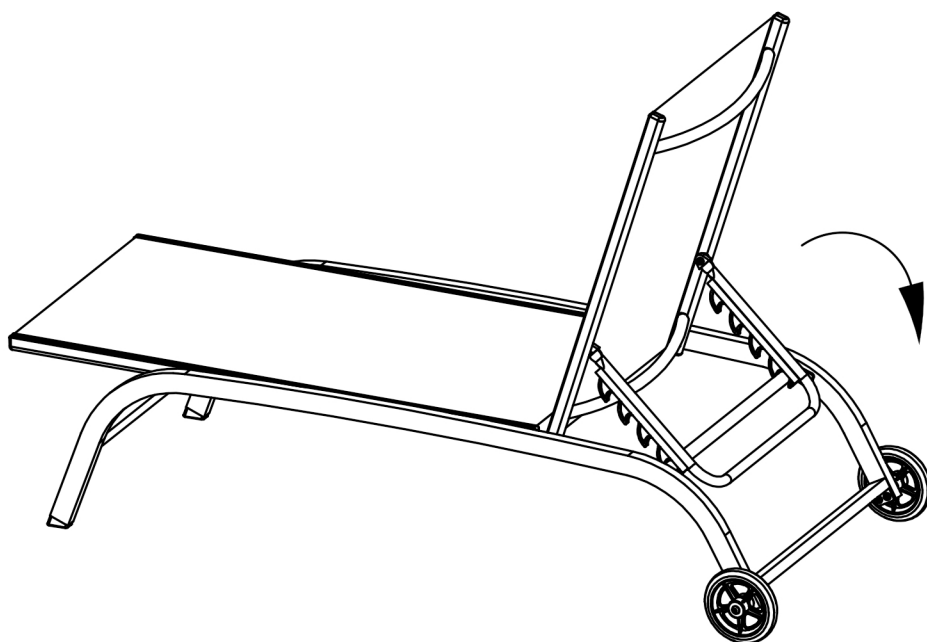
Ⓦ 1X



Step 8: Place part M as shown to fix part J to another side of part G.



Step 9: Tighten all the screws and turn the chair around.



Step 10: Repeat for another chair. Please Make sure all screws are fixed tightly before use.

