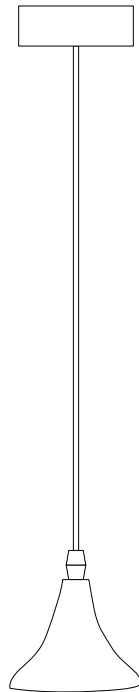
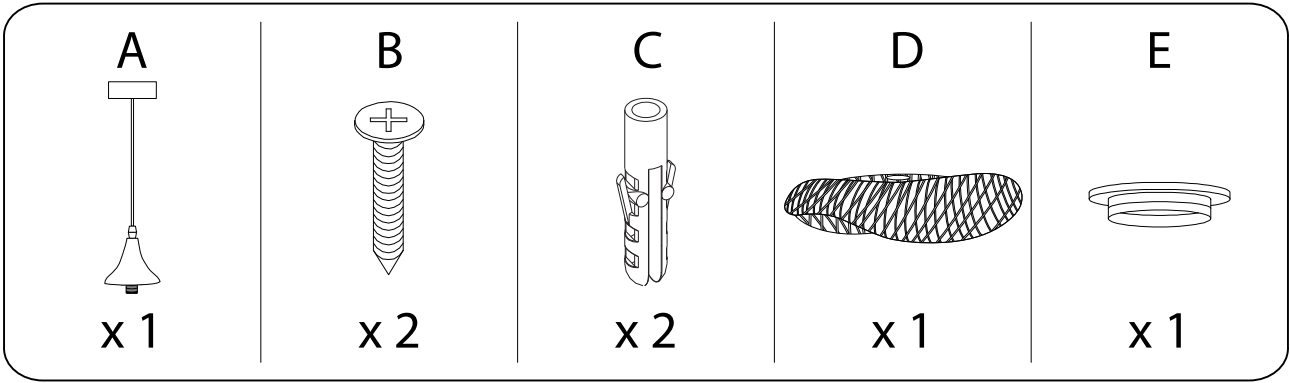


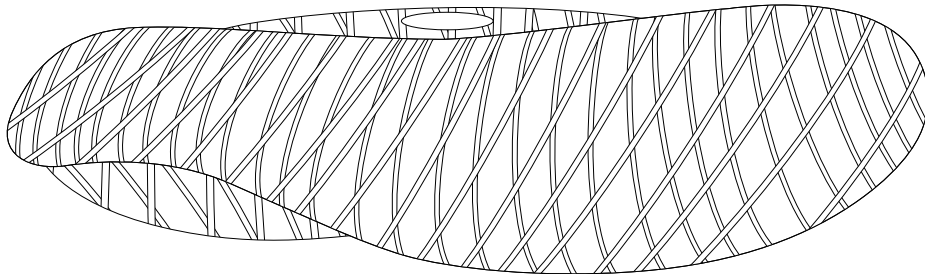
20'

1

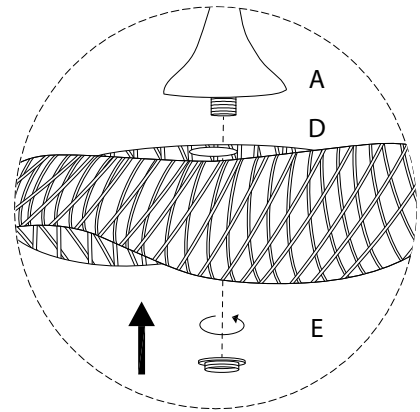
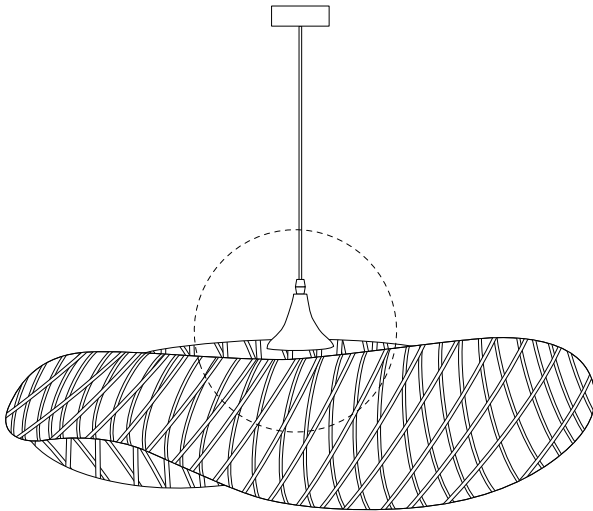
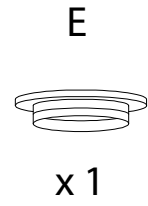
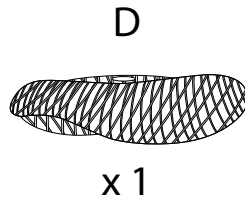


A

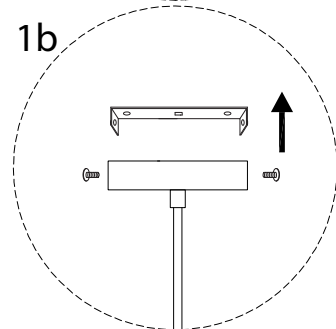
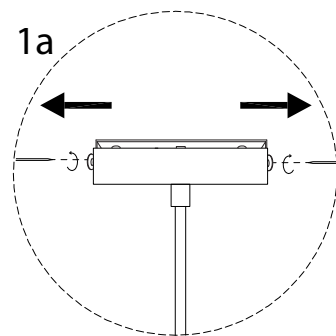
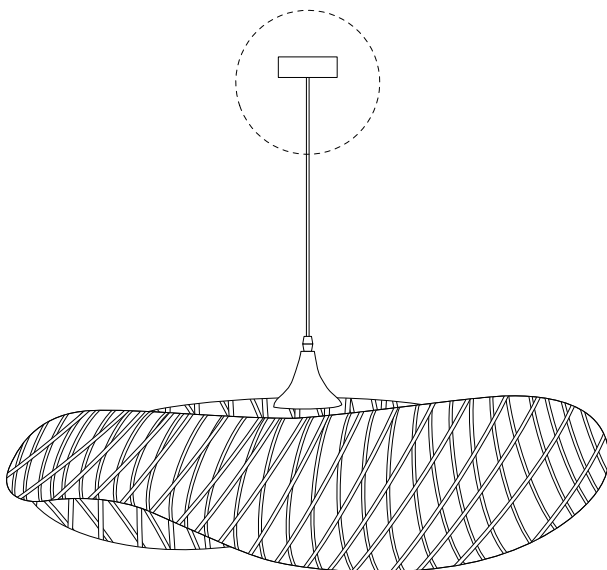
D



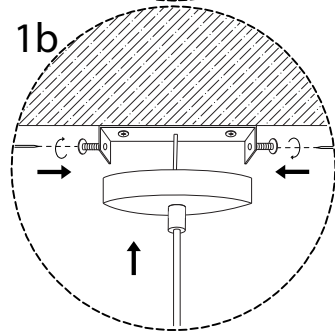
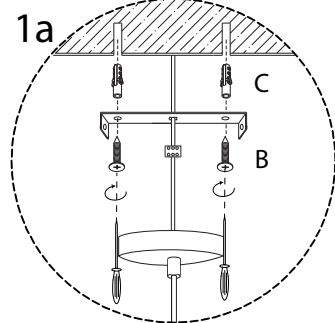
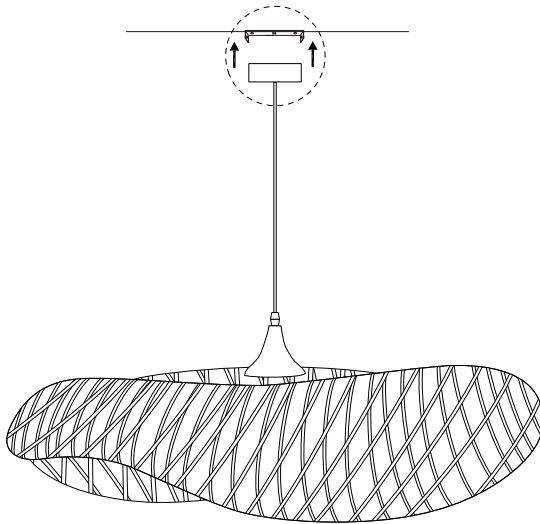
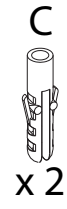
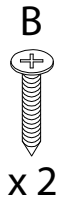
1



2



3



4

