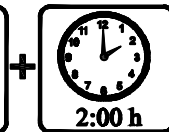
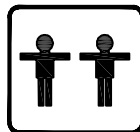
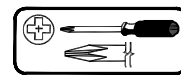


Thank you for purchasing this quality product. Be sure to check all packaging material carefully for small parts which may have come loose inside the carton during shipment. Separate, identify and count all parts and hardware. Compare with the parts list to be sure all parts are present.  
**"DO NOT TIGHTEN SCREWS UNTIL COMPLETELY ASSEMBLED"**

**• Use of power tool to assemble this product will invalidate any claim and damage this product making unsafe !!!**  
**• Please assemble on a clean soft surface to avoid damage.**



**Tools Required**



(Not included)

**IMPORTANT:**

**PLEASE READ INSTRUCTION BEFORE STARTING THE ASSEMBLY**

# Before Installation

Important-Please read these instructions fully before starting assembly

Thank you for purchasing this quality product. Be sure to check all packing materials carefully for small parts, which may have come loose inside the carton during shipment. Identify and count all items according to the PARTS LIST and/or HARDWARE LIST shown below. Check you have all the components and tools listed on the following pages.

We recommend that you assemble this product with the assistance of another person; this will make the assembly easier, and will help eliminate damage to the product or injury to persons during assembly.

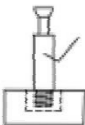
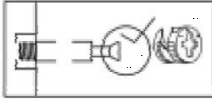
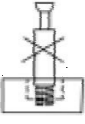
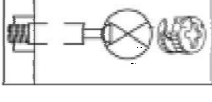
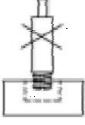
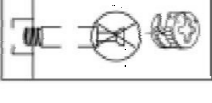
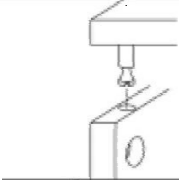
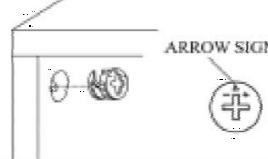
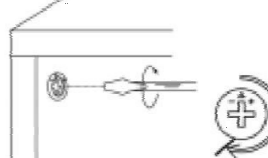
Please do not over tighten screws or bolts until the assembly is completed.

Keep children and animal away from the work area, small parts could choke if swallowed.

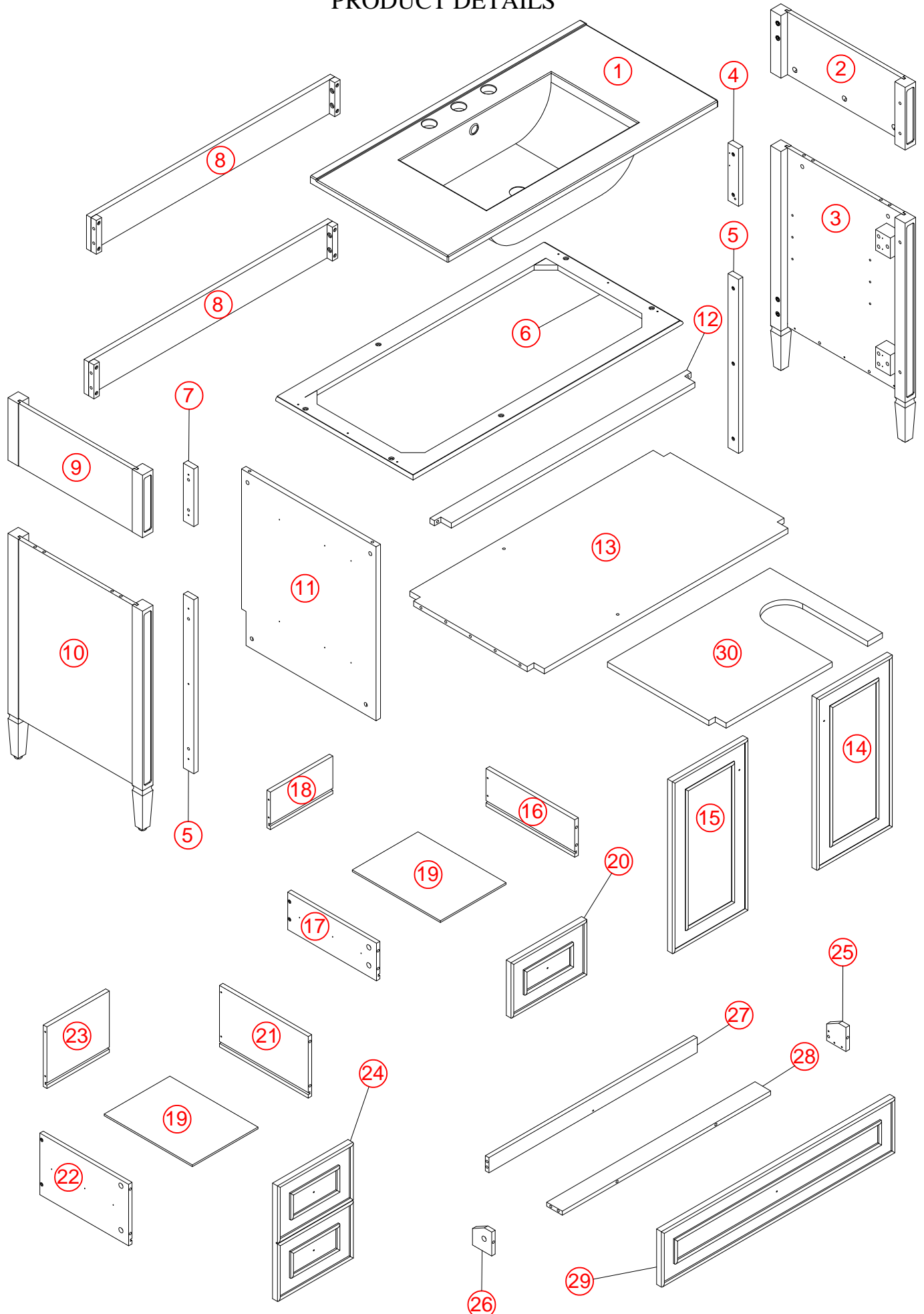
Please put all parts on a non-abrasive floor before assembly, and follow the assembly steps to assemble your newly purchased product correctly and efficiently.

If you find that you have any trouble with assembly or missing or damaged parts please contact the seller.

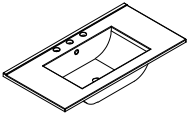
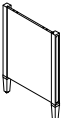
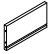
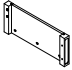
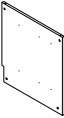
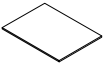
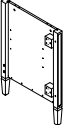
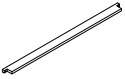
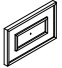

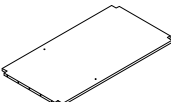
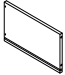


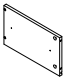
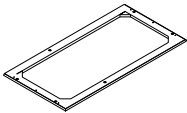

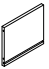

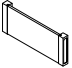
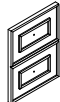
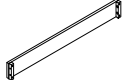

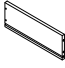
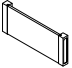

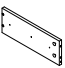
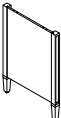
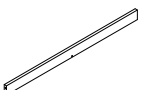
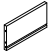
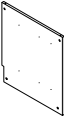
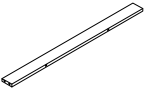
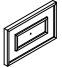
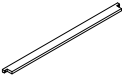
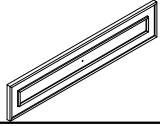
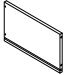
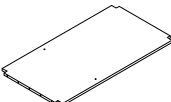
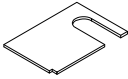
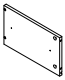


## Cam Lock Assembly Instructions

		Diagram A Insert Cam Bolt into hole as shown in diagram A.
		Diagram B Make sure not to insert the Cam Bolt: Too deep as shown in figure B as this will cause the Cam Lock to be misaligned and unable to interlock properly.
		Diagram C Also avoid inserting the Cam Bolt too close to the surface of the hole as shown in figure C, as this will cause the Cam Lock to be too loose, and not interlock properly.
		Connect the panels together.
		ARROW SIGN Insert the Cam Lock so the side opening fits over the head of the Cam Bolt.
		To tighten the Cam Lock, turn it clockwise on half a turn with a flat screwdriver. <i>*Do not use an automatic screwdriver as it may bend or break if too much power is imposed.</i>


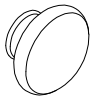







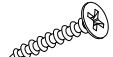


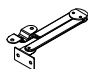

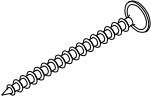

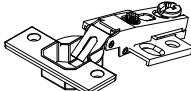


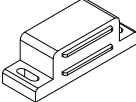
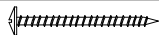



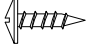


# PRODUCT DETAILS



## PARTS LIST

①	SINK ( LAVABO )		1PC	⑩	LOWER LEFT HIP		1PC	⑱	DRAWER BACK BOARD 1		1PC
②	UPPER RIGHT HIP		1PC	⑪	PARTITION BOARD		1PC	⑲	DRAWER BOTTOM		2PCS
③	LOWER RIGHT HIP		1PC	⑫	FRONT UPPER BAR		1PC	⑳	DRAWER FACE 1		1PC
④	SIDE BAR UPPER RIGHT		1PC	⑬	BOTTOM BOARD		1PC	㉑	RIGHT DRAWER FRONT 2		1PC
⑤	LOWER RIGHT LEFT SIDE BAR		2PCS	⑭	RIGHT DOOR PANEL		1PC	㉒	LEFT DRAWER FRONT 2		1PC
⑥	MIDDLE FRAME		1PC	⑮	LEFT DOOR PANEL		1PC	㉓	DRAWER BACK BOARD 2		1PC
⑦	SIDE BAR UPPER LEFT		1PC	⑯	UPPER LEFT HIP		1PC	㉔	DRAWER FACE 2		1PC
⑧	REAR CROSSBAR		2PCS	⑰	RIGHT SIDE FLIP DRAWER		1PC	㉕	RIGHT DRAWER FRONT 1		1PC
⑨	UPPER LEFT HIP		1PC	⑲	LEFT SIDE FLIP DRAWER		1PC	㉖	LEFT DRAWER FRONT 1		1PC
⑩	LOWER LEFT HIP		1PC	㉑	BACK OF FLIP-UP DRAWER		1PC	㉗	DRAWER BACK BOARD 1		1PC
⑪	PARTITION BOARD		1PC	㉒	FLIP-UP DRAWER BOTTOM		1PC	㉘	DRAWER FACE 1		1PC
⑫	FRONT UPPER BAR		1PC	㉓	FLIP-OFF DRAWER FRONT		1PC	㉙	RIGHT DRAWER FRONT 2		1PC
⑬	BOTTOM BOARD		1PC	㉔	LOWER LEFT DRAWER		1PC	㉚	LEFT DRAWER FRONT 2		1PC
⑭	RIGHT DOOR PANEL		1PC	㉕				㉛			
⑮	LEFT DOOR PANEL		1PC	㉖				㉜			

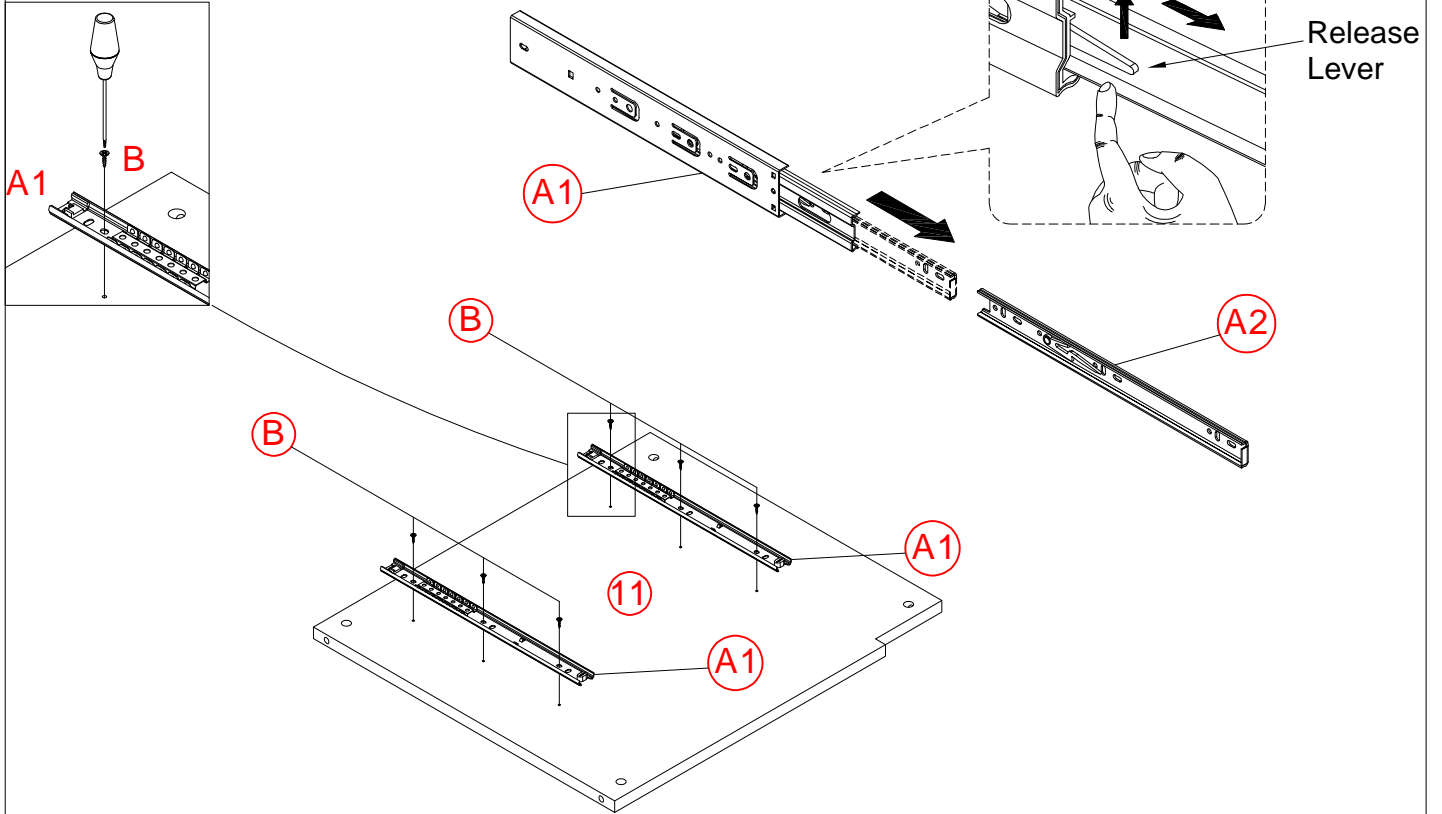
## HARDWARE LIST



Ⓐ	A1 : D300MM 	4SET	Ⓛ	Ø30MM 	6PCS
	A2 : D300MM 				
Ⓑ	3.5*10MM 	30PCS	Ⓜ	M4*20MM 	6PCS
Ⓒ	Ø5*35MM 	31PCS	Ⓝ	L45MM 	3PCS
Ⓓ	Ø 8 * 30MM 	18PCS	Ⓞ	L15MM 	6PCS
Ⓔ	4*25MM 	10PCS	Ⓟ	3.5*12MM 	10PCS
Ⓕ	M6*30MM 	10PCS	Ⓠ	HANDLE 	1PC
Ⓖ	L4*58MM 	1PC	Ⓡ	M4*50MM 	8PCS
Ⓗ	M6*45MM 	8PCS	Ⓢ	HINGES 	4PCS
Ⓘ	Ø 15 	31 PCS	Ⓣ	Ø 10*10MM 	8PCS
Ⓙ	L45MM 	3PCS	Ⓡ	     	2SET
Ⓚ	3.5*15MM 	30PCS			

ASSEMBLY TOOLS REQUIRED (NOT INCLUDED)

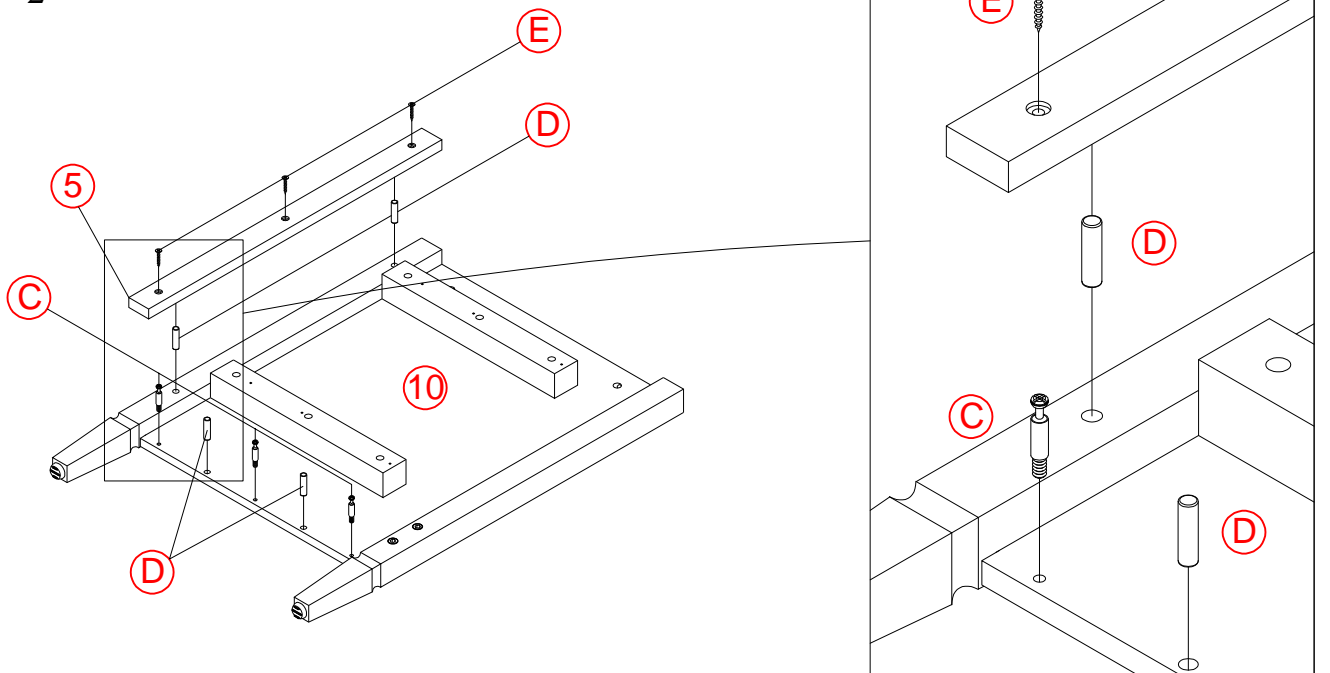




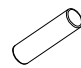
STEP 1



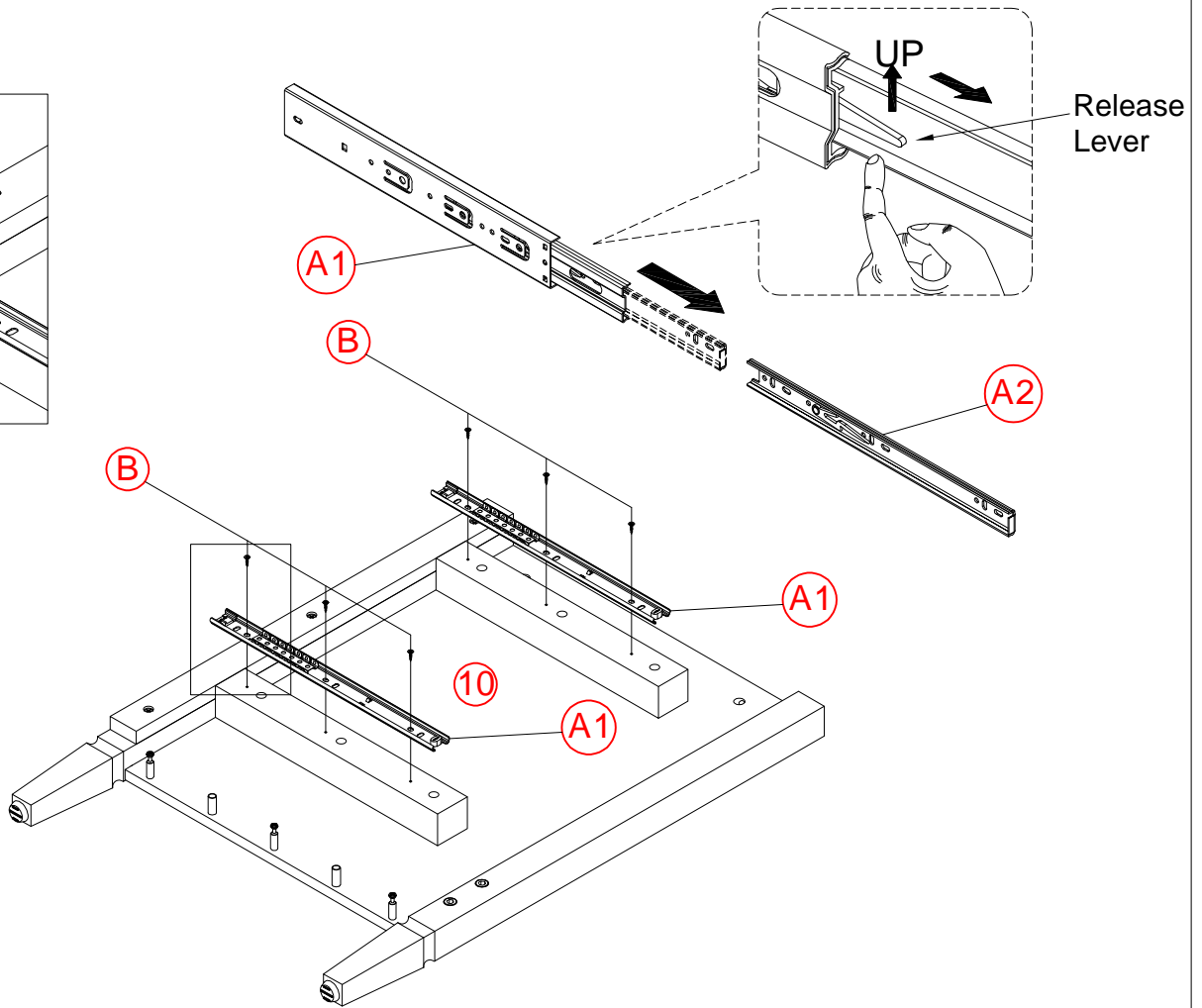
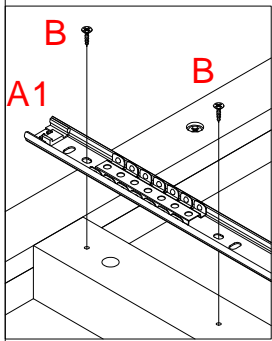
<p>(A)</p>	<p>L45*300MM</p> 	<p>2PCS</p>	<p>(B)</p>	<p>3.5*10MM</p> 	<p>6PCS</p>
------------	--	-------------	------------	---	-------------

STEP 2



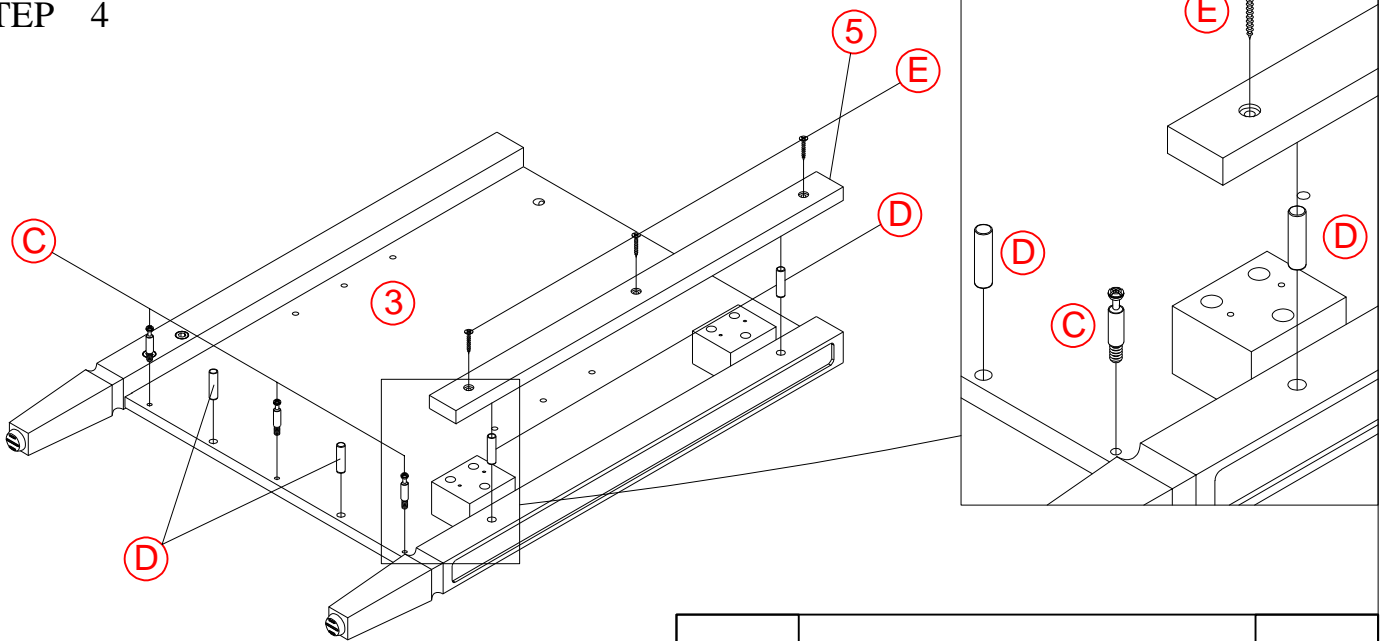
<p>(C)</p>	<p>Ø5*35MM</p> 	<p>3PCS</p>	<p>(E)</p>	<p>4*25MM</p> 	<p>3PCS</p>
<p>(D)</p>	<p>Ø 8 * 30MM</p> 	<p>4PCS</p>			


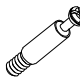
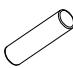
STEP 3



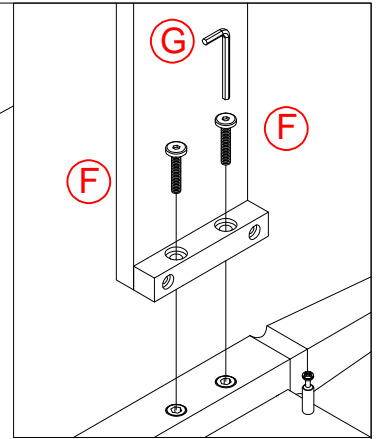
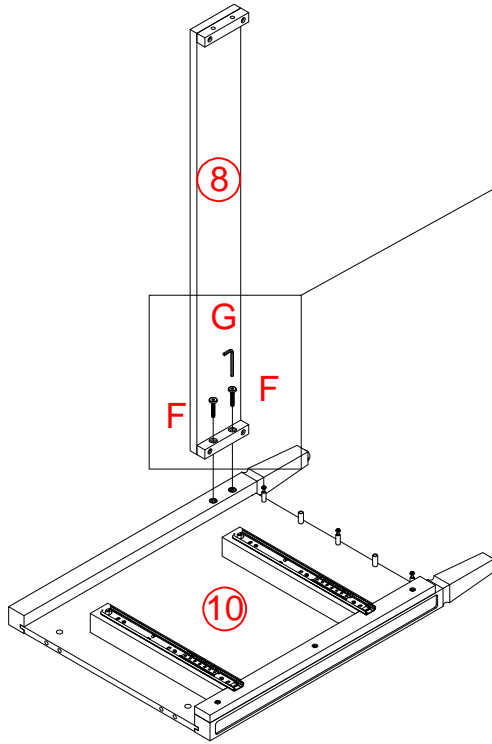
<p>(A)</p>	<p>L45*300MM</p> 	<p>2PCS</p>	<p>(B)</p>	<p>3.5*10MM</p> 	<p>6PCS</p>
------------	--	-------------	------------	---	-------------

STEP 4



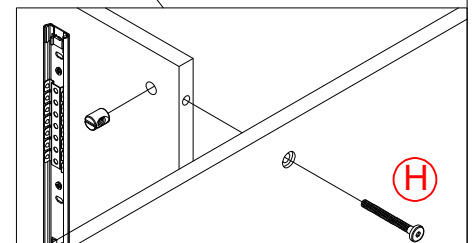
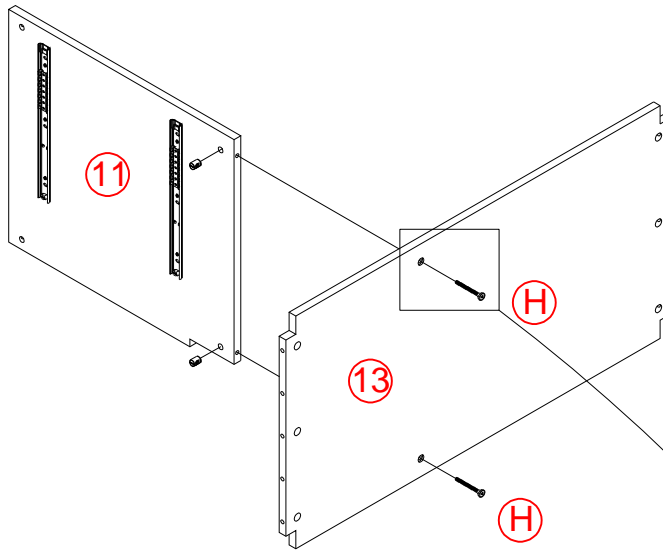
			<p>(E)</p>	<p>4*25MM</p> 	<p>3PCS</p>
<p>(C)</p>	<p>Ø5*35MM</p> 	<p>3PCS</p>	<p>(D)</p>	<p>Ø 8 * 30MM</p> 	<p>4PCS</p>

STEP 5



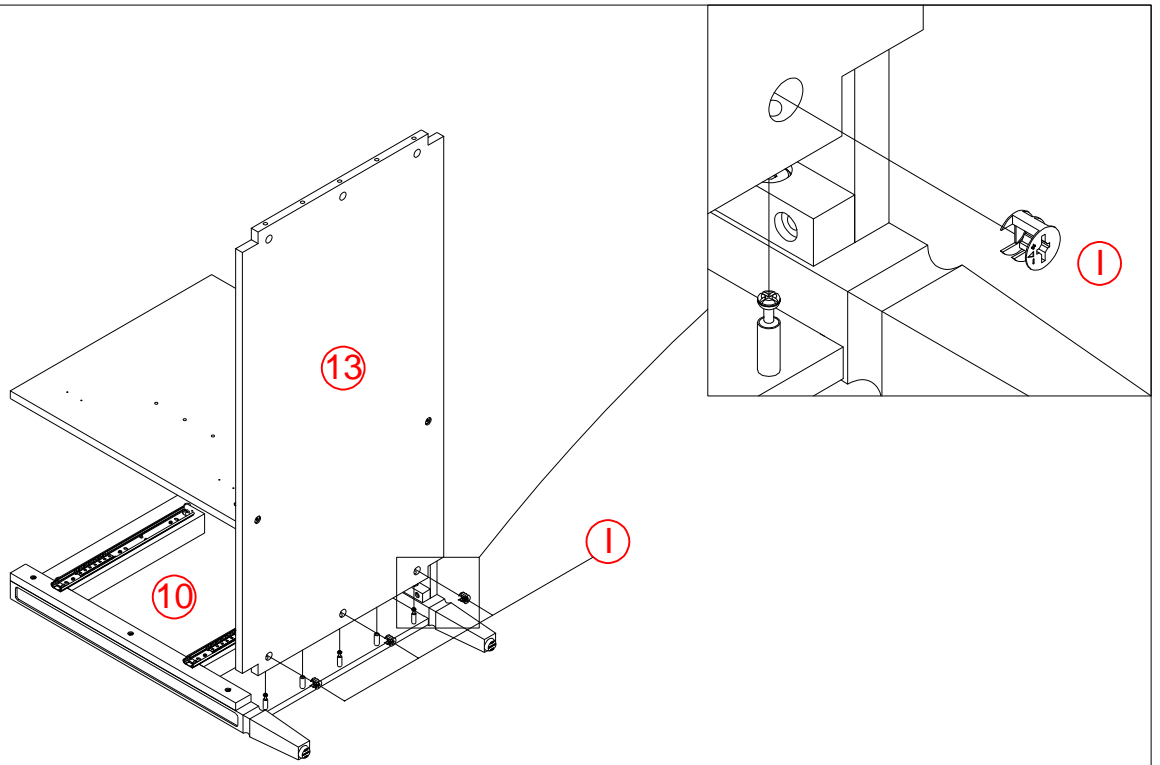
	M6*30MM		2PCS		1PC
---	---------	---	------	---	-----


STEP 6



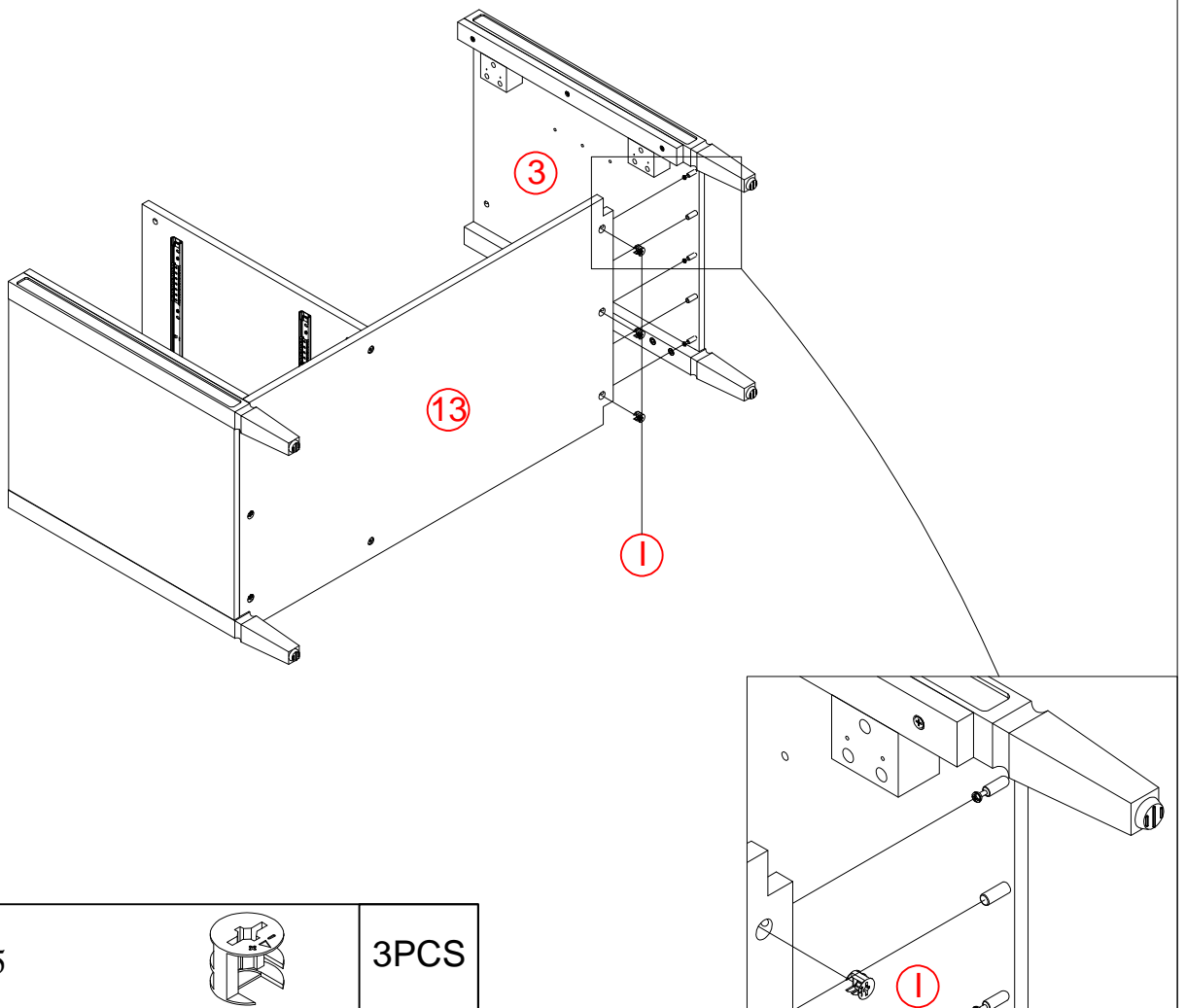
	M6*45MM		2PCS
---	---------	---	------


STEP 7



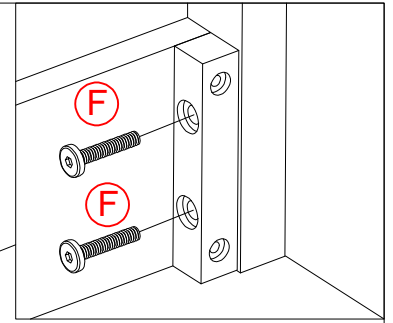
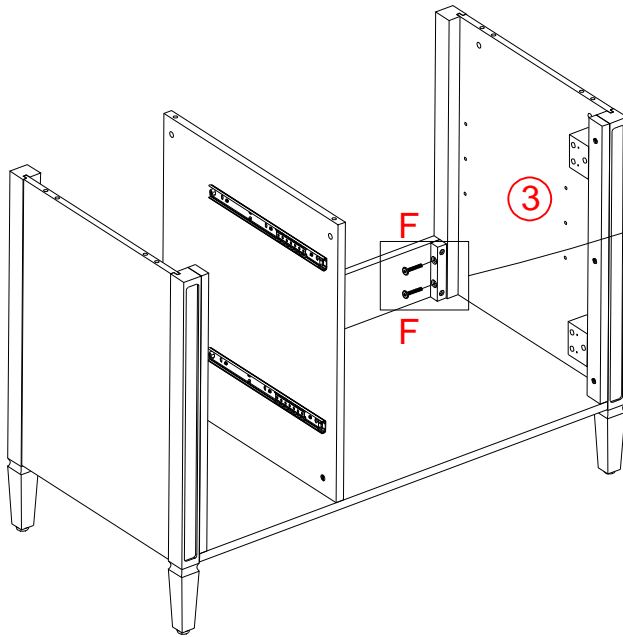
①	Ø 15		3PCS
---	------	--	------

STEP 8



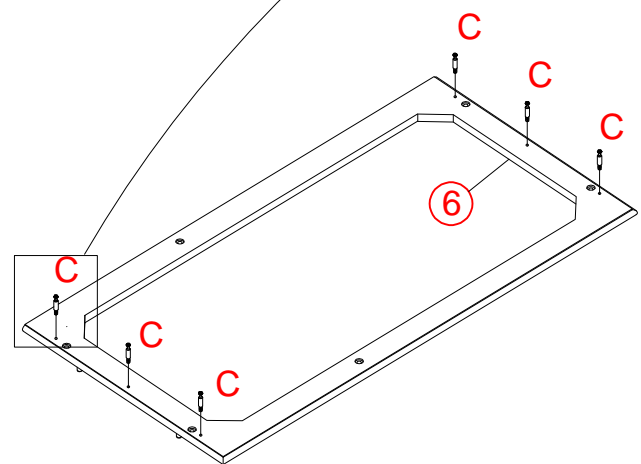
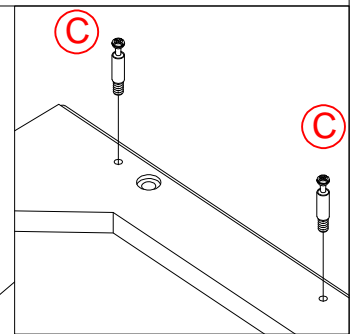
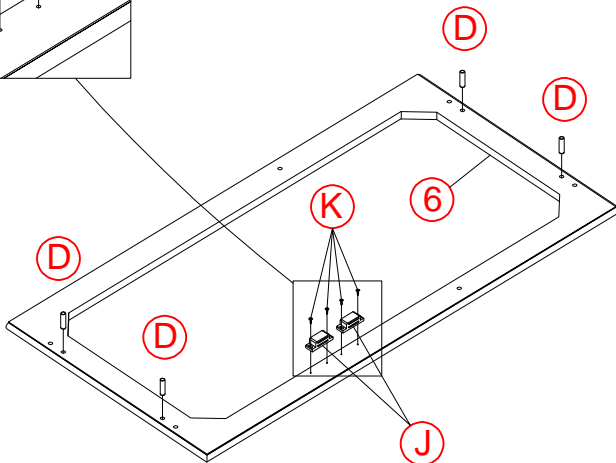
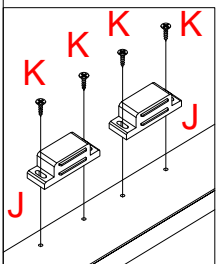
①	Ø 15		3PCS
---	------	---	------

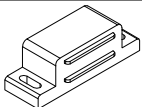

STEP 9


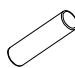


ⓕ	M6*30MM		2PCS
---	---------	---	------

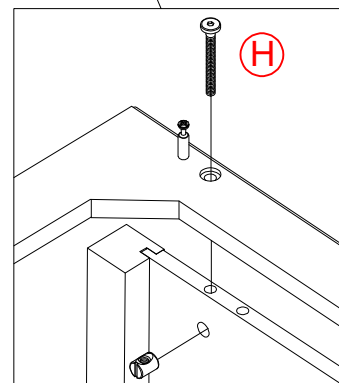
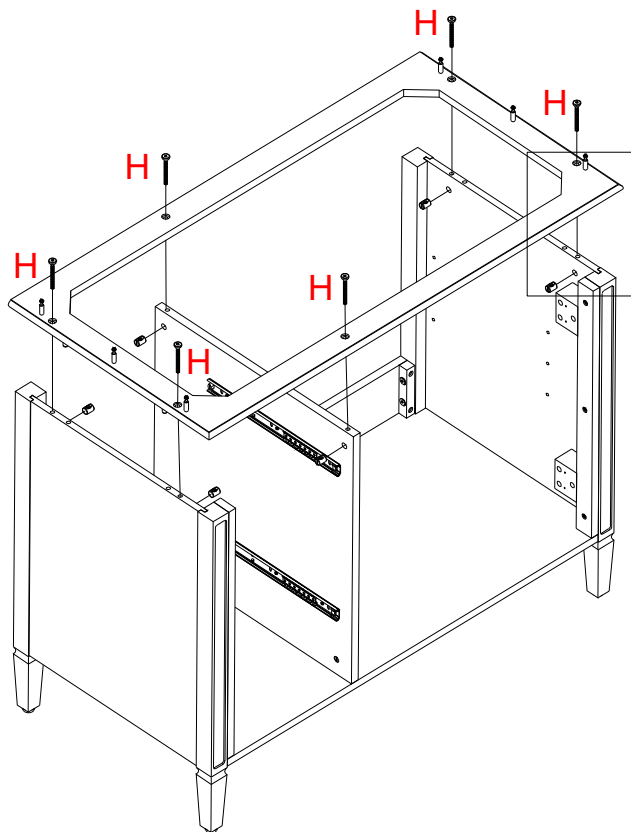
STEP 10



ⓐ	L45MM		2PCS
ⓐ	Ø5*35MM		6PCS

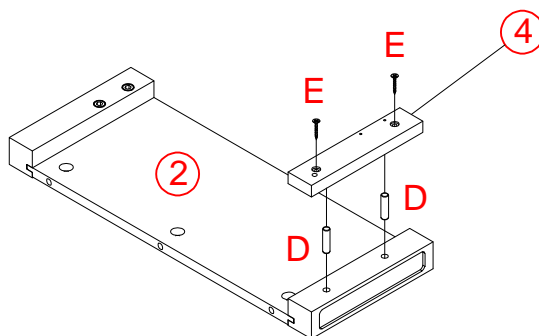
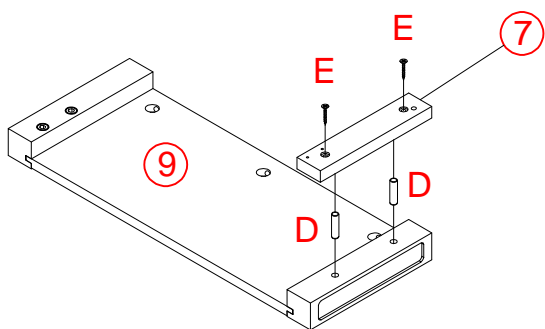
ⓐ	3.5*15MM		4PCS
ⓐ	Ø 8 * 30MM		4PCS

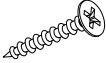
STEP 11



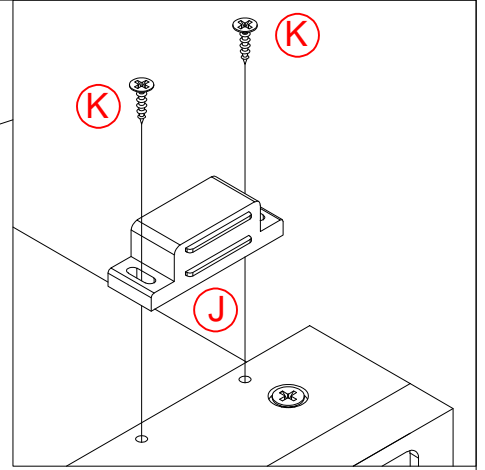
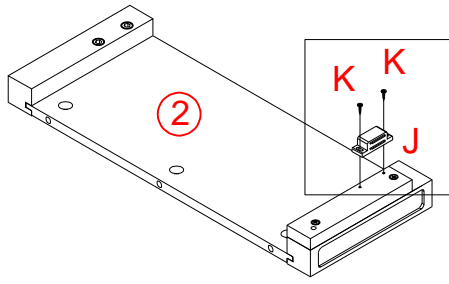
Ⓜ	M6*45MM		6PCS
---	---------	---	------

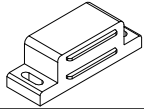

STEP 12



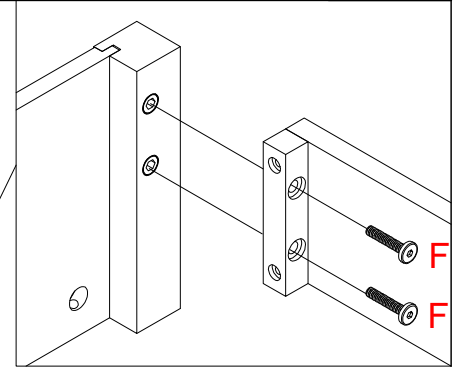
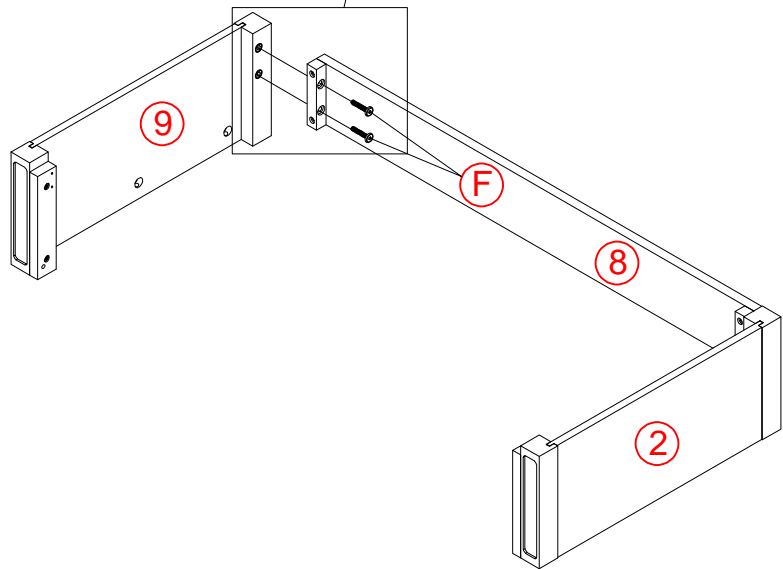
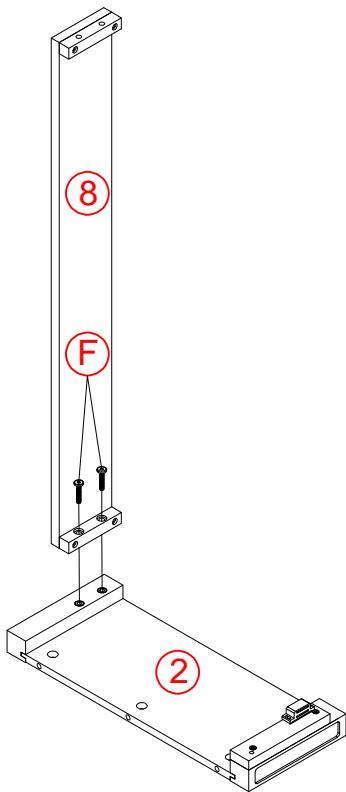
Ⓜ	4*25MM		4PCS	Ⓜ	Ø 8 * 30MM		4PCS
---	--------	---	------	---	------------	---	------


STEP 13



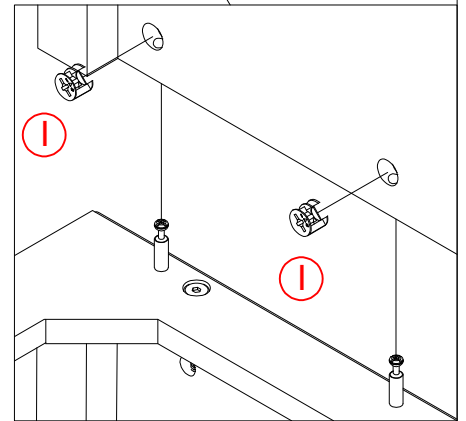
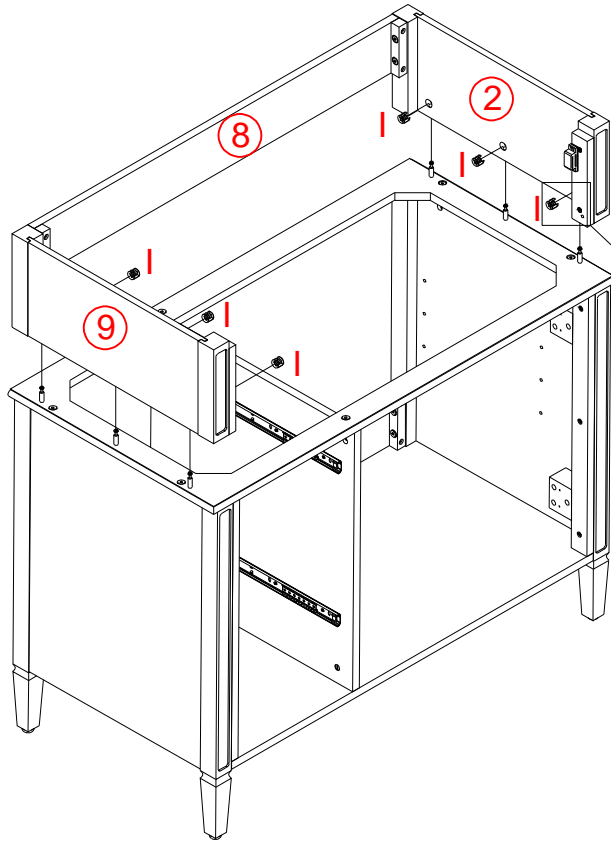
<p>(J)</p>	<p>L45MM</p>  <p>1PC</p>	<p>(K)</p> <p>3.5*15MM</p>  <p>2PCS</p>
------------	---	--

STEP 14



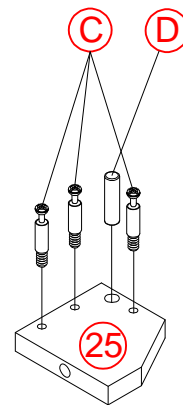
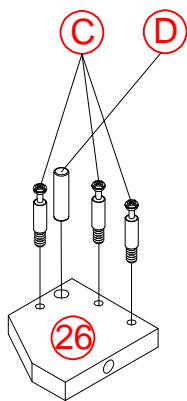
<p>(F)</p>	<p>M6*30MM</p>  <p>4PCS</p>
------------	--

STEP 15



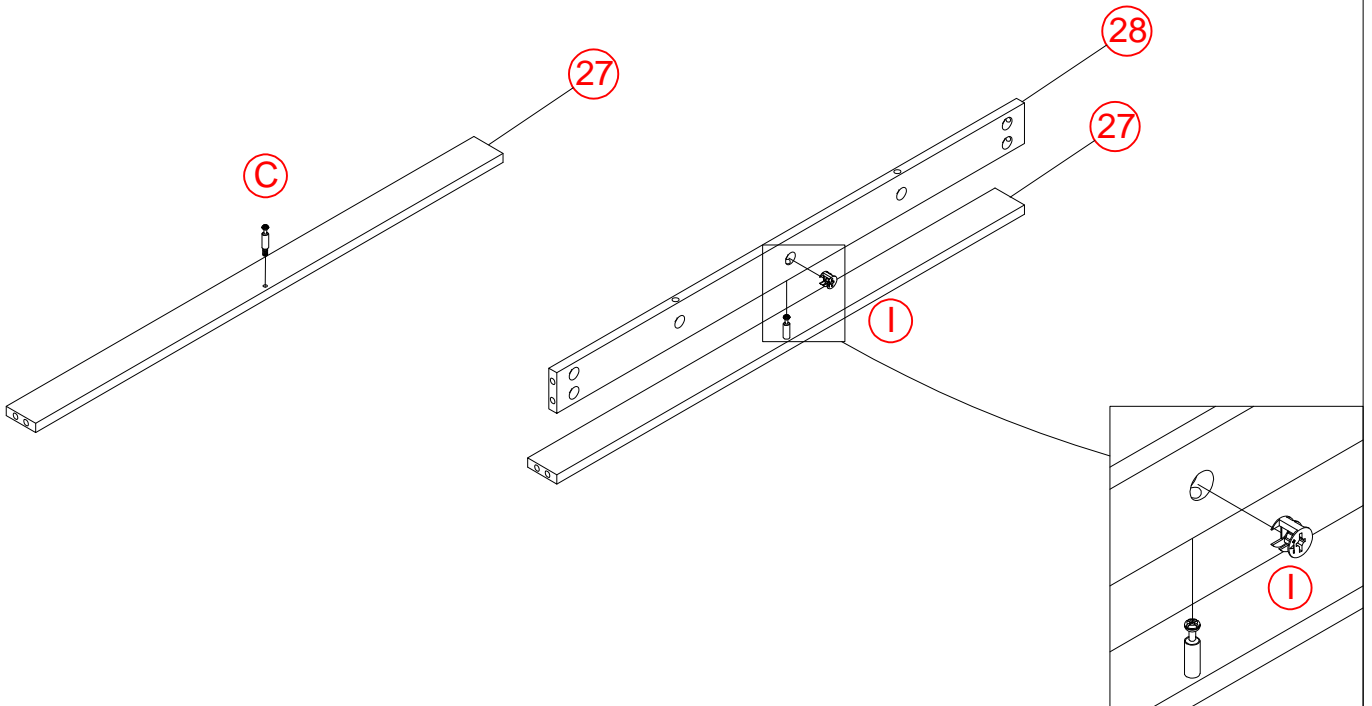
	$\text{Ø } 15$		6PCS
--	----------------	--	------



STEP 16



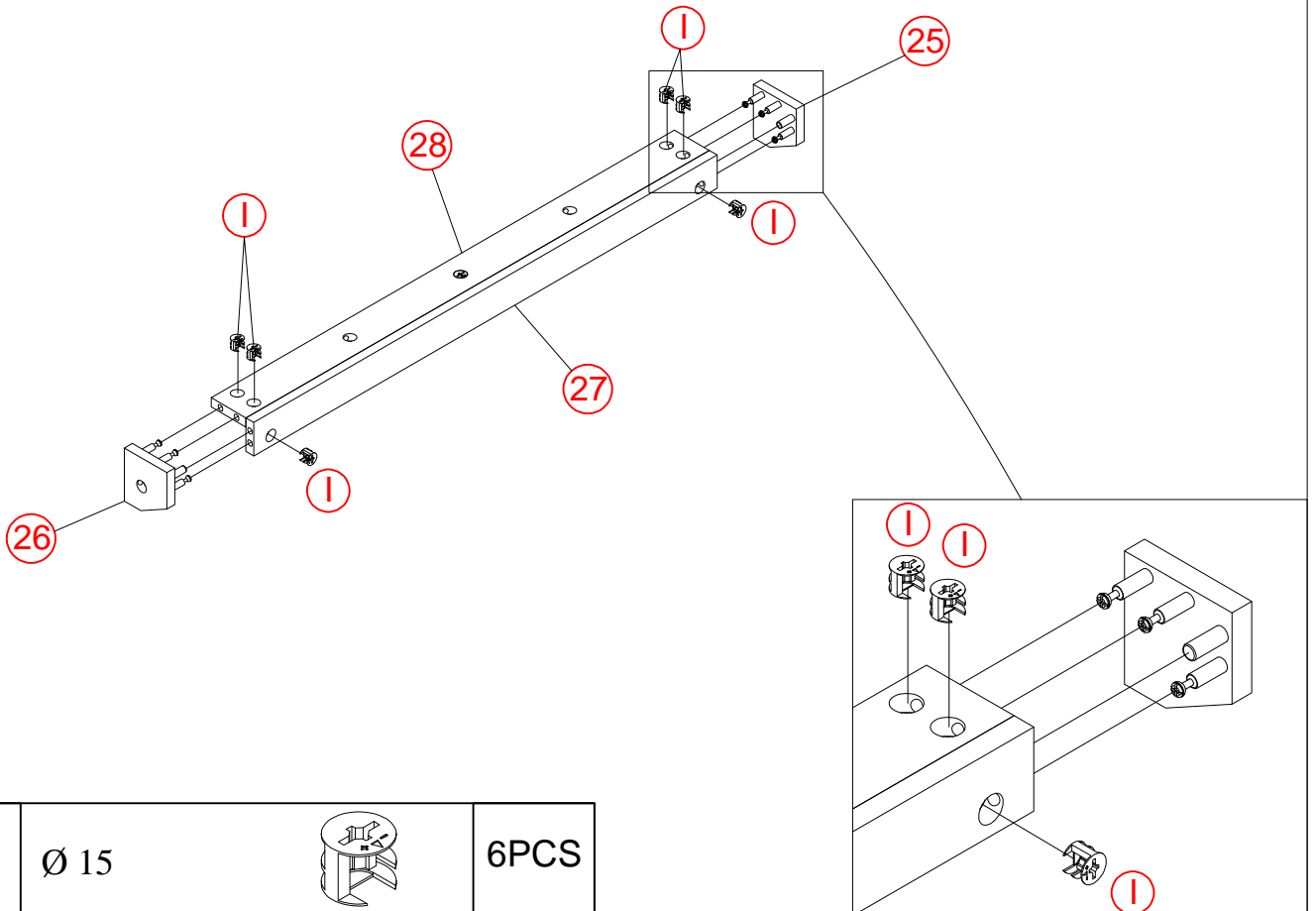
	$\text{Ø } 5 * 35\text{MM}$		6PCS		$\text{Ø } 8 * 30\text{MM}$		2PCS
--	-----------------------------	--	------	--	-----------------------------	--	------


STEP 17



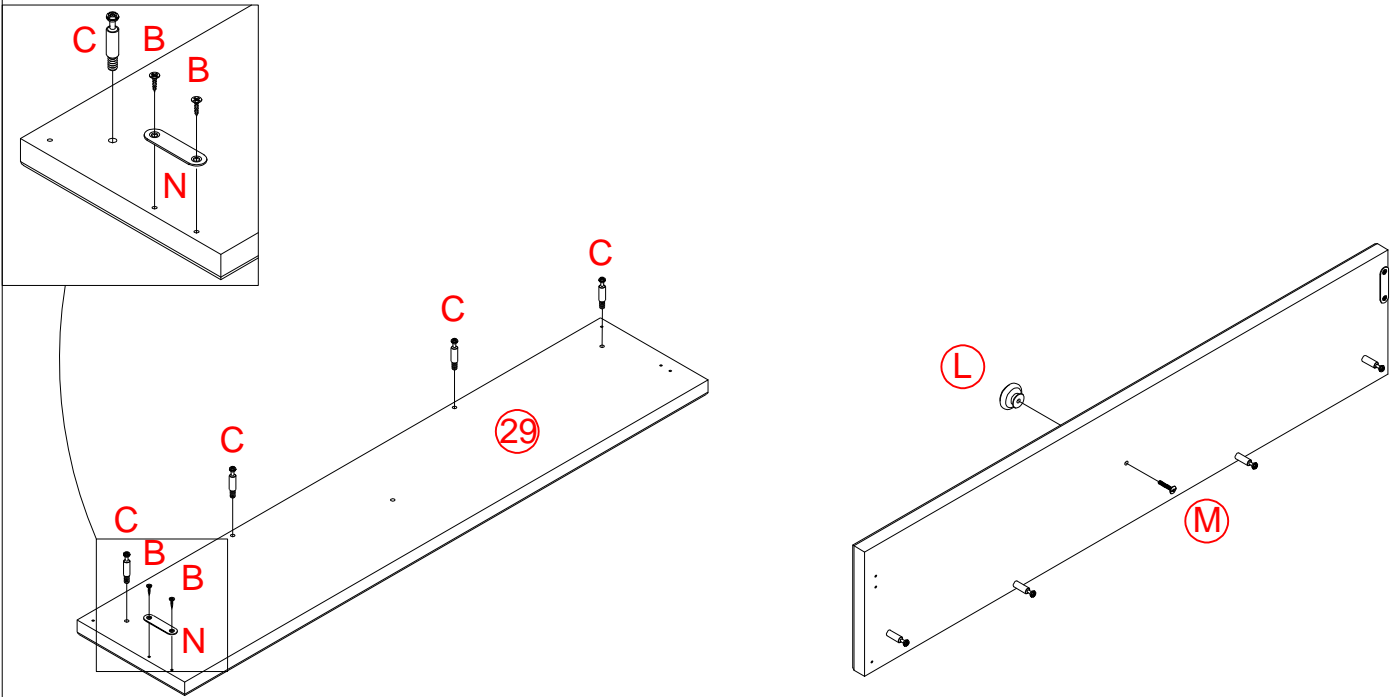
<p>(C)</p>	<p>Ø5*35MM</p>	 <p>1PC</p>	<p>(I)</p>	<p>Ø 15</p>	 <p>1PC</p>
------------	----------------	---	------------	-------------	---

STEP 18



<p>(I)</p>	<p>Ø 15</p>	 <p>6PCS</p>
------------	-------------	---

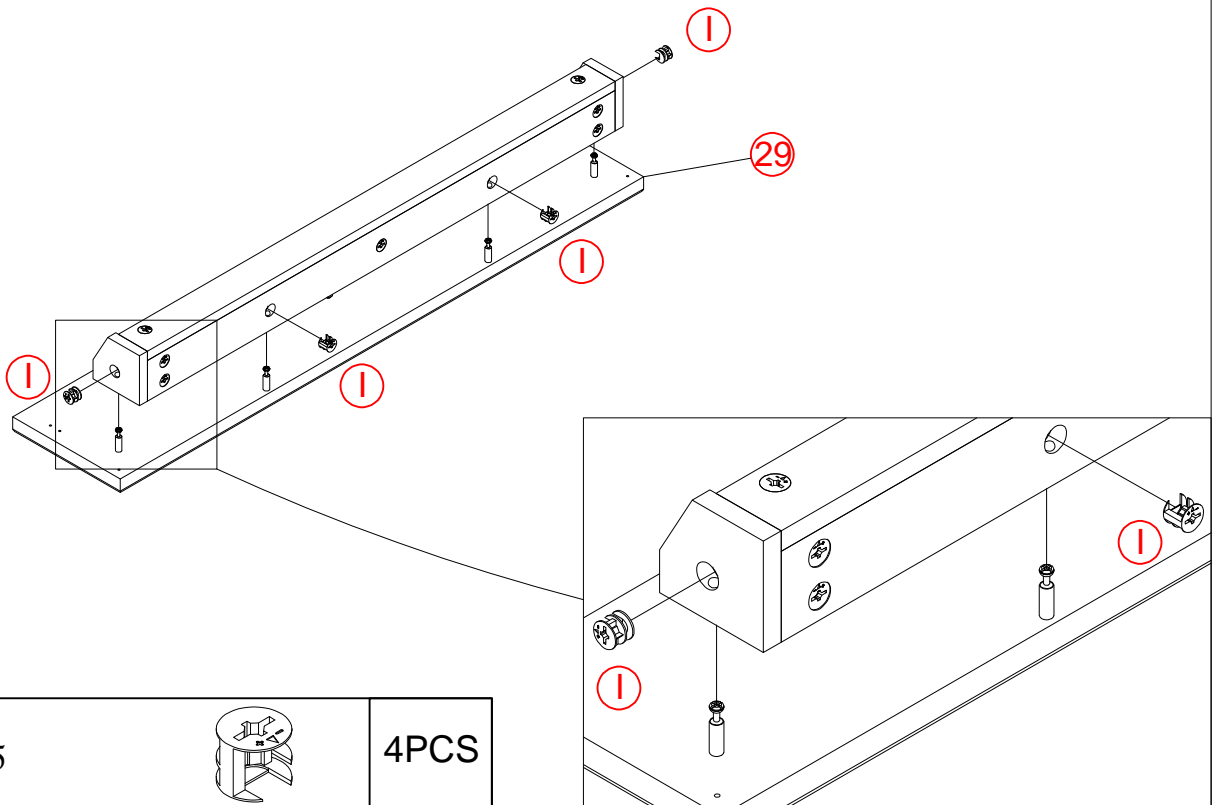
STEP 19



(N)	L45MM		1PC
(B)	3.5*10MM		2PCS
(M)	M4*20MM		1PC

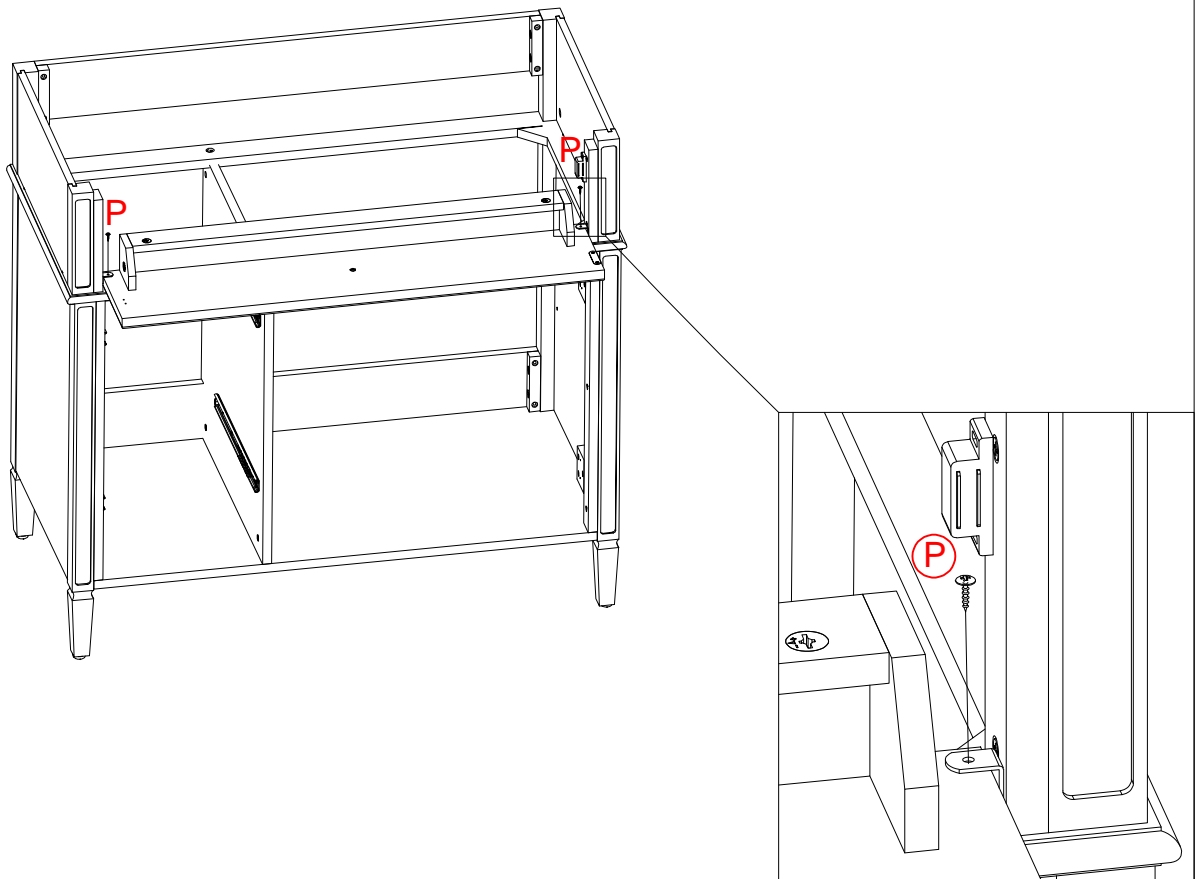
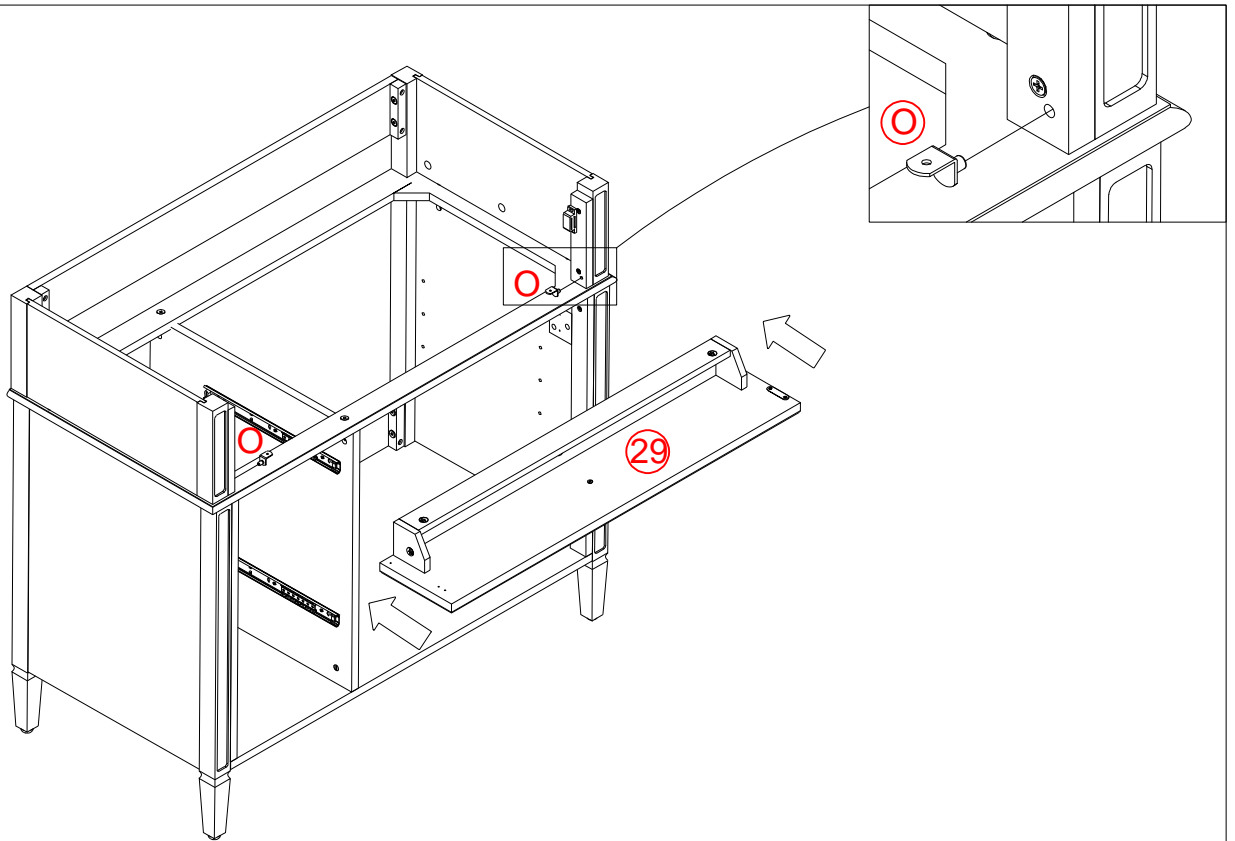
(C)	Ø5*35MM		4PCS
(L)	Ø30MM		1PC

STEP 20



(I)	Ø 15		4PCS
-----	------	--	------

STEP 21



(P)

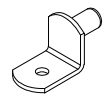
3.5\*12MM



2PCS

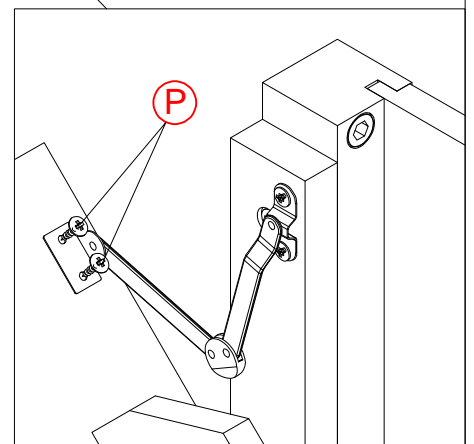
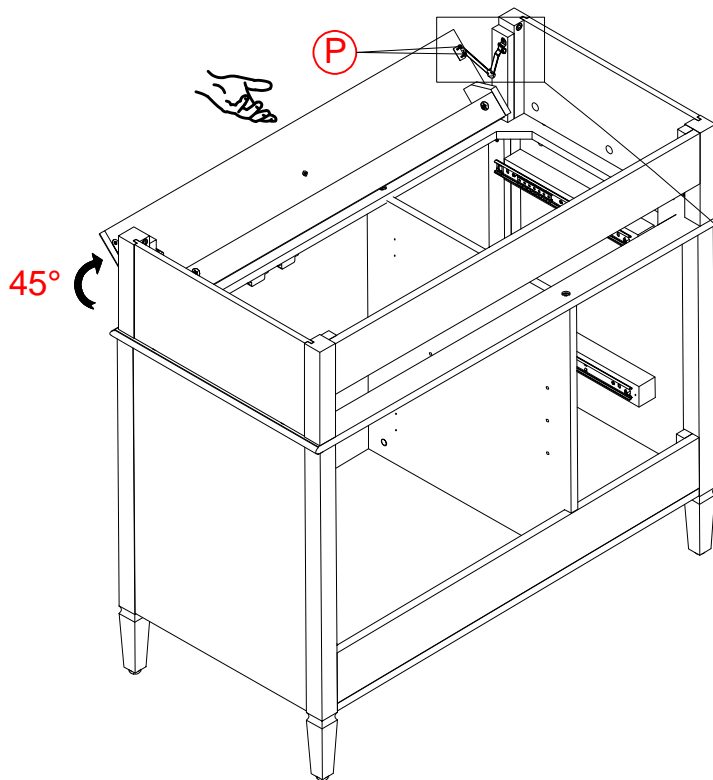
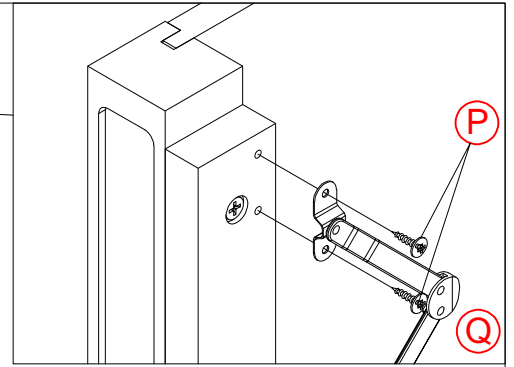
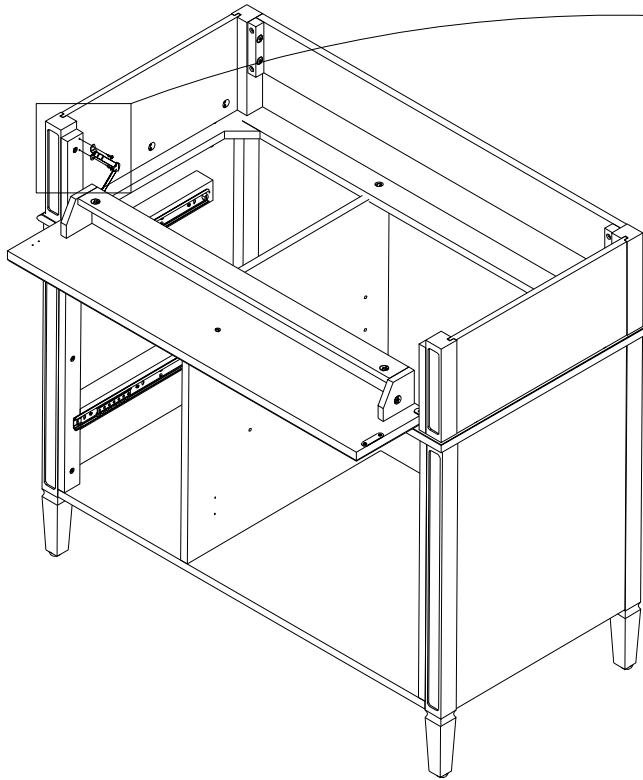
(O)

L15MM



2PCS

STEP 22



(P)

3.5\*12MM



4PCS

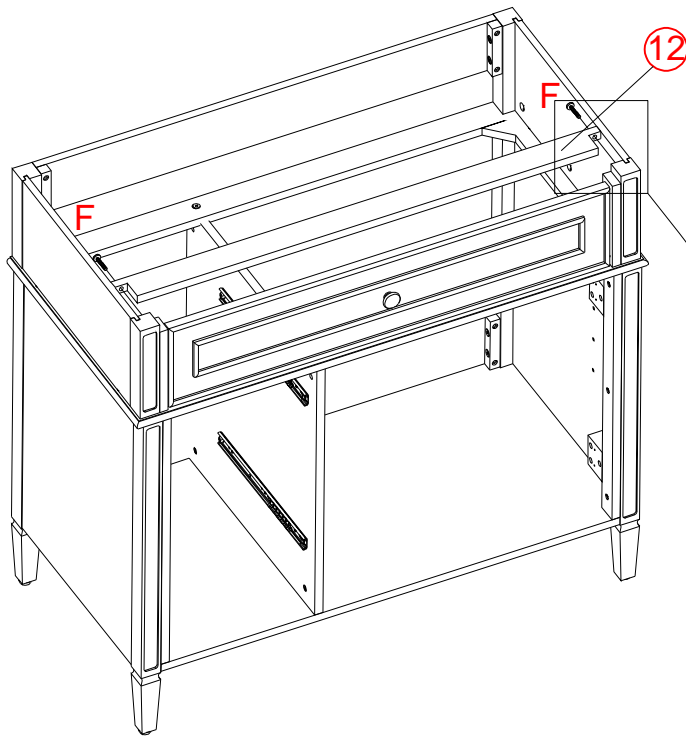
(Q)

HANDLE

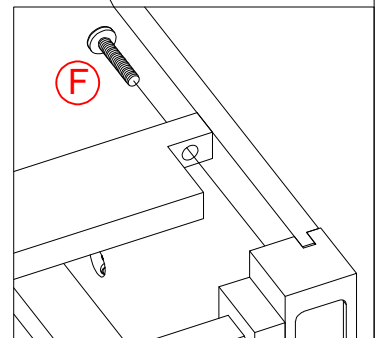


1PC

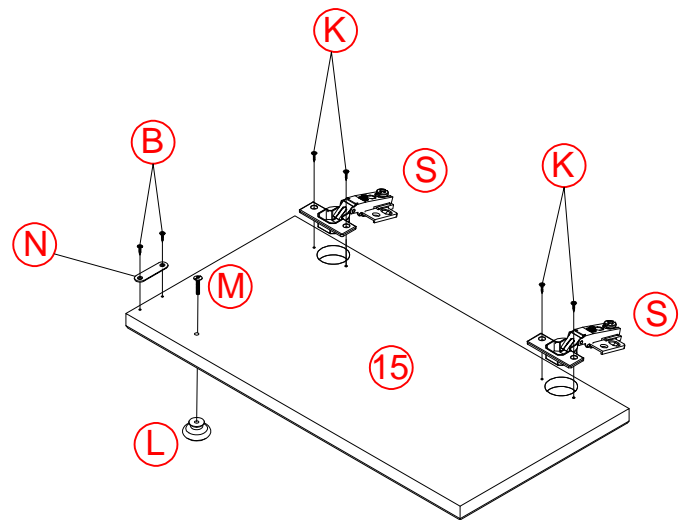
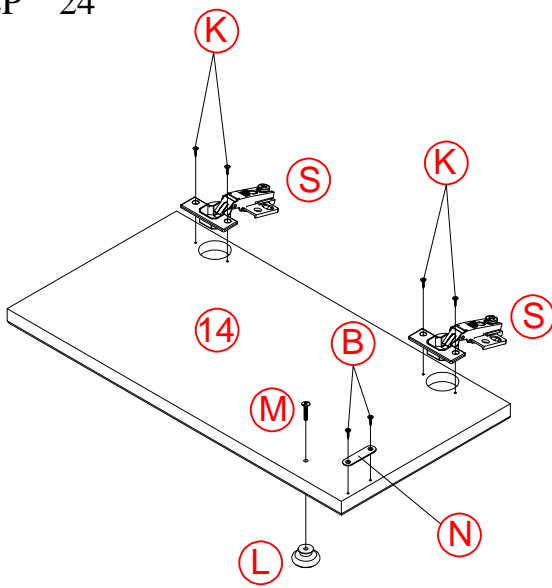
STEP 23

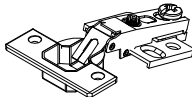

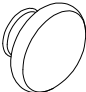





(F)	M6*30MM		2PCS
-----	---------	--	------

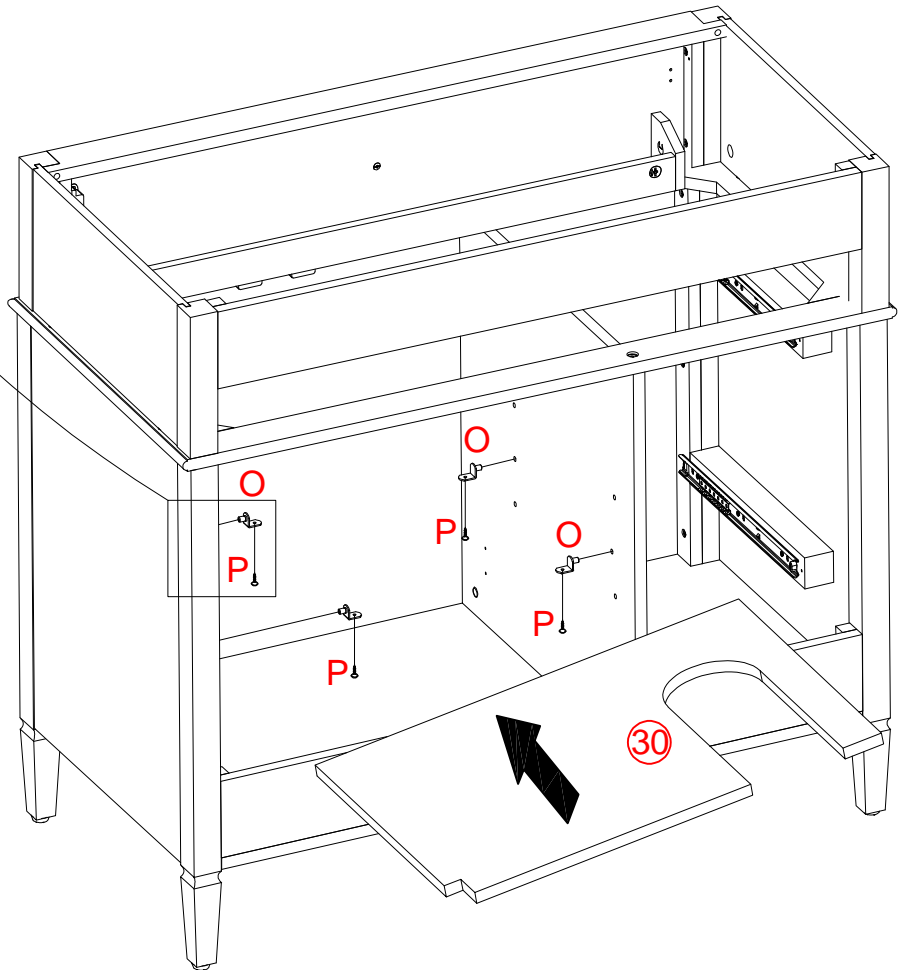
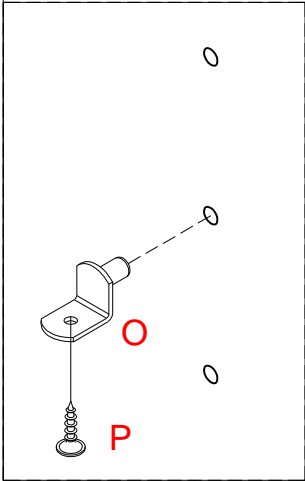


STEP 24



(S)	HINGES		4PCS	(K)	3.5*15MM		8PCS
(L)	Ø30MM		2PCS	(M)	M4*20MM		2PCS
(N)	L45MM		2PCS	(B)	3.5*10MM		4PCS

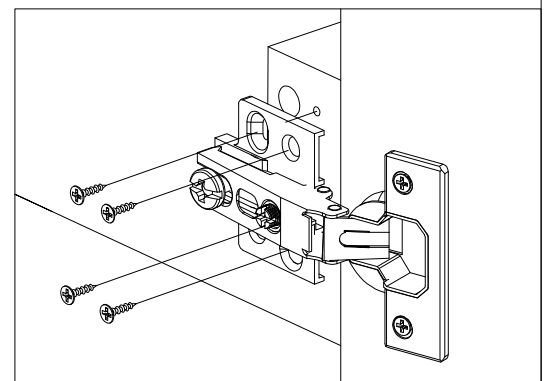
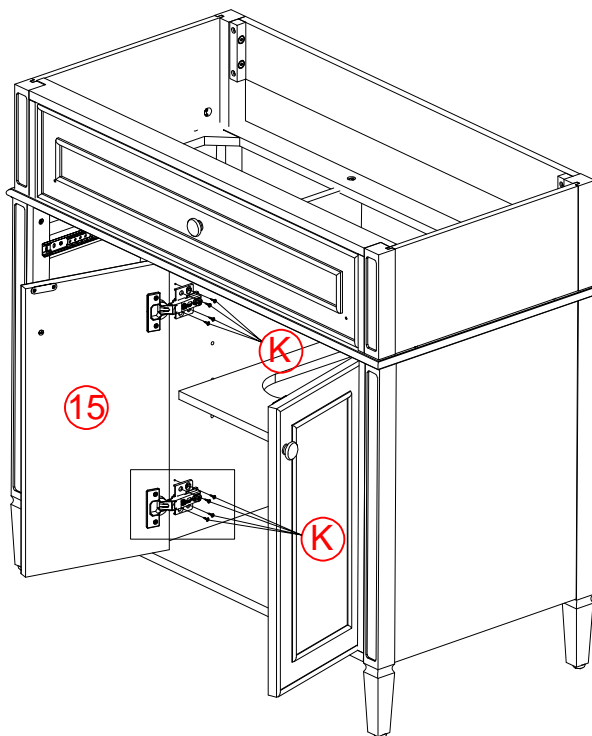
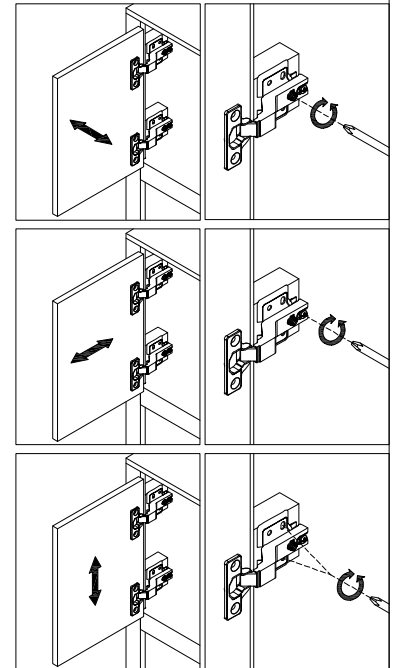
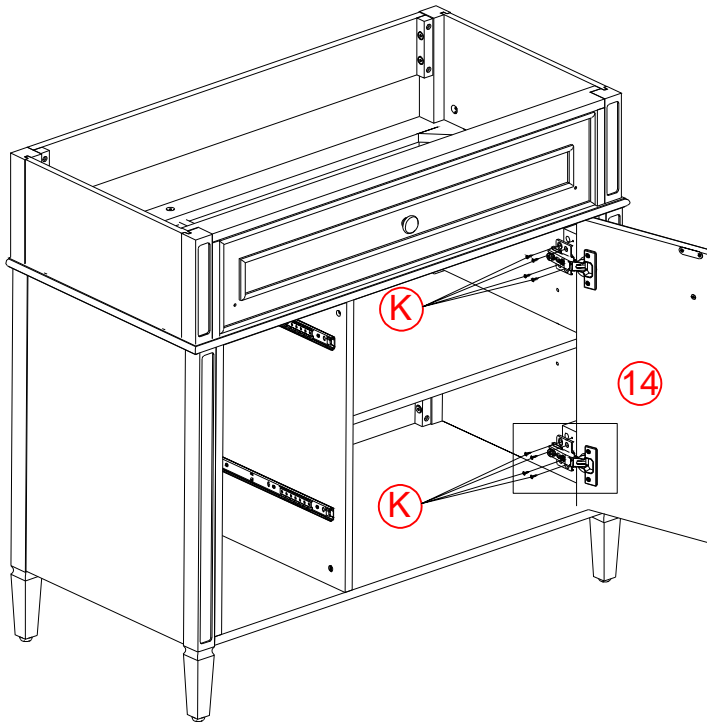
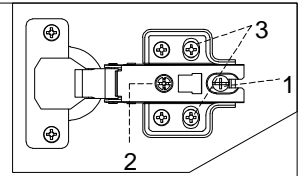
STEP 25



	3.5*12MM		4PCS		L15MM		4PCS
---	----------	---	------	---	-------	---	------

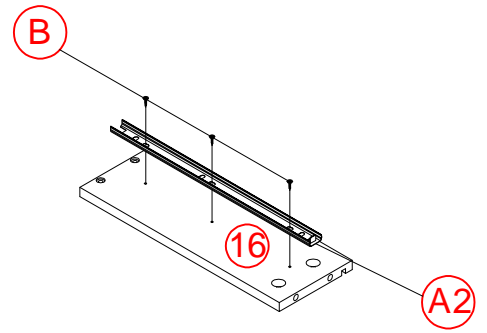
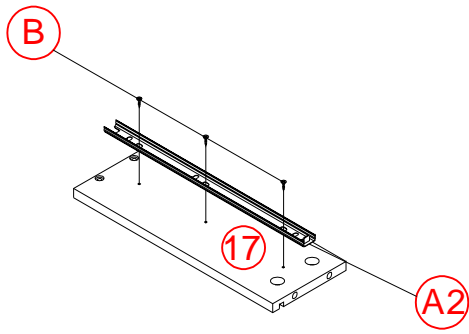
# STEP 26


Three-way adjustable hinge for perfectly aligned doors  
 1. TO ADJUST DOOR FORWARD OR BACKWARD.  
 2. TO ADJUST DOOR TO RIGHT OR TO LEFT.  
 3. TO ADJUST DOOR UP OR DOWN.




K	3.5*15MM		16PCS
---	----------	--	-------

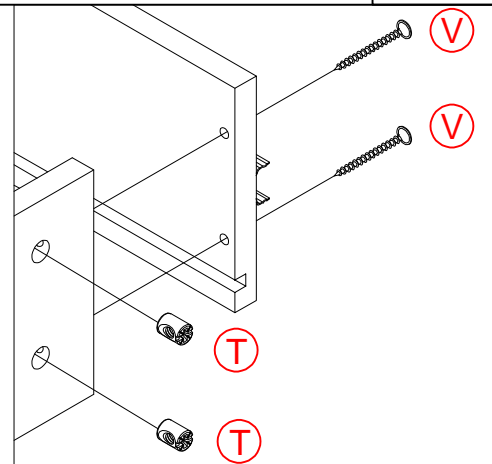
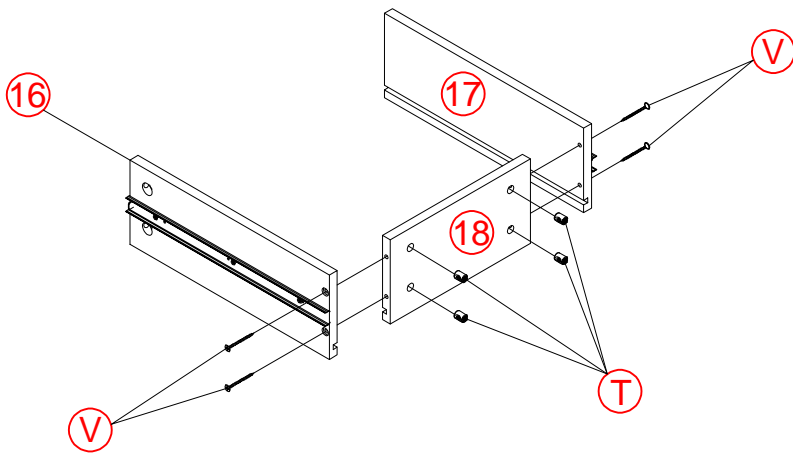
STEP 27



(A)	L45*300MM		2PCS
-----	-----------	---	------

(B)	3.5*10MM		6PCS
-----	----------	---	------

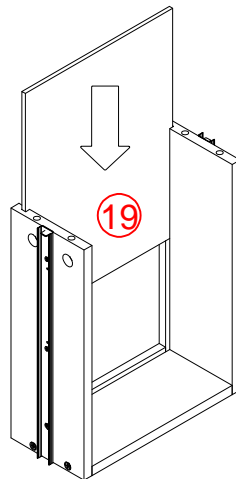
STEP 28



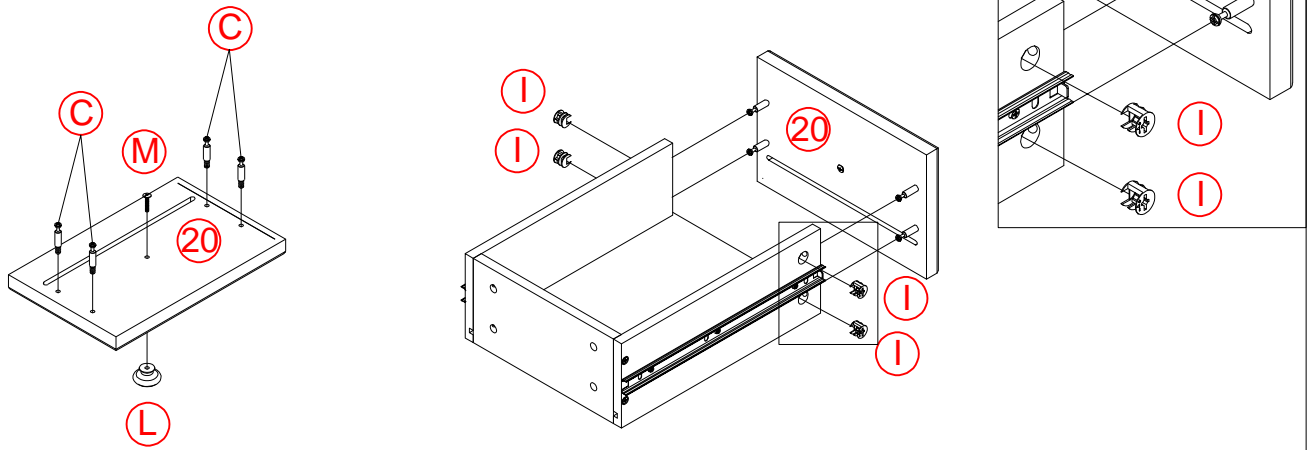
(V)	M4*50MM		4PCS
-----	---------	---	------


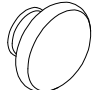
(T)	Ø 10*10MM		4PCS
-----	-----------	---	------

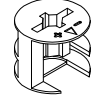

STEP 29



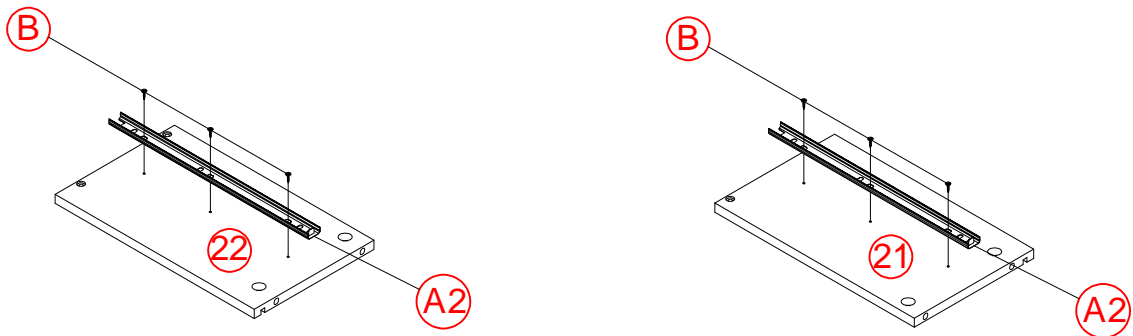
STEP 30




(C)	Ø5*35MM		4PCS
(L)	Ø30MM		1PC

(I)	Ø 15		4PCS
(M)	M4*20MM		1PC

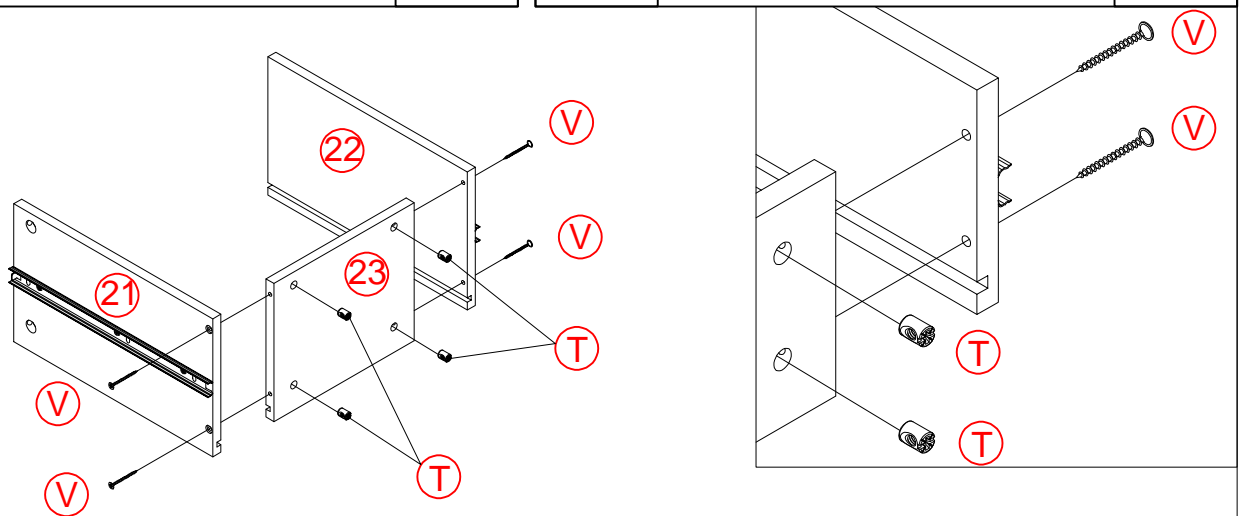
STEP 31



(A)	L45*300MM		2PCS
-----	-----------	---	------

(B)	3.5*10MM		6PCS
-----	----------	---	------

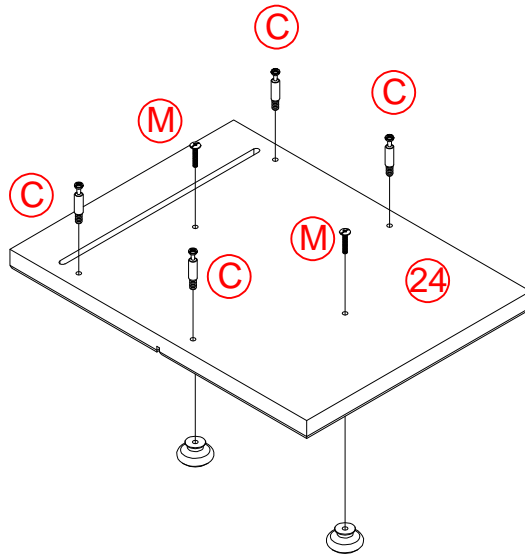
STEP 32



(V)	M4*50MM		4PCS
-----	---------	---	------

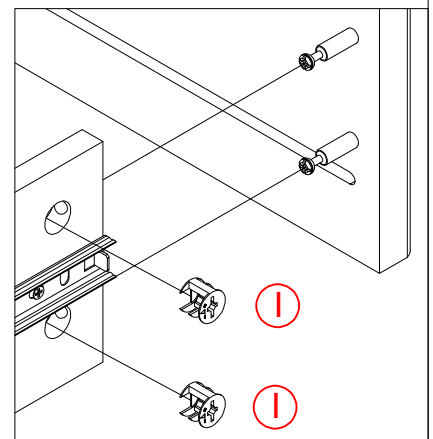
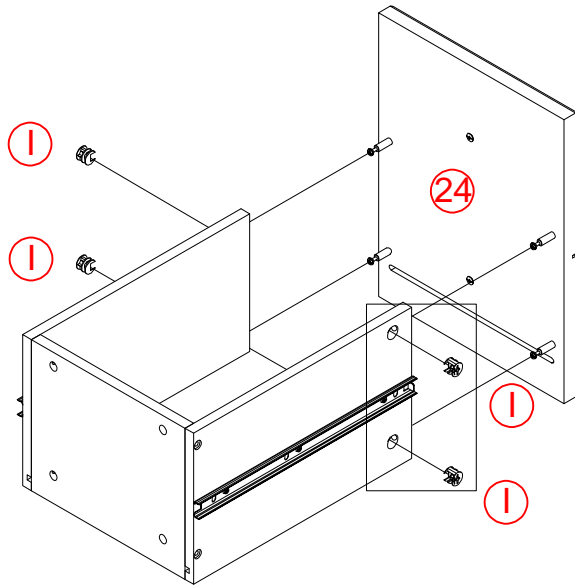
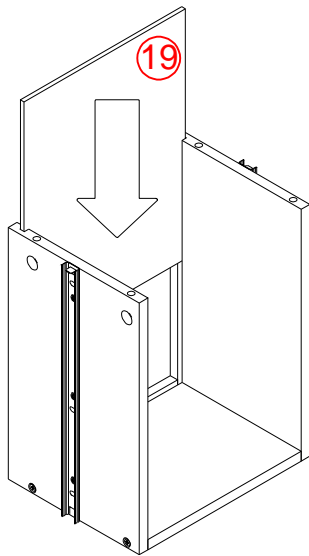
(T)	Ø 10*10MM		4PCS
-----	-----------	---	------

STEP 33



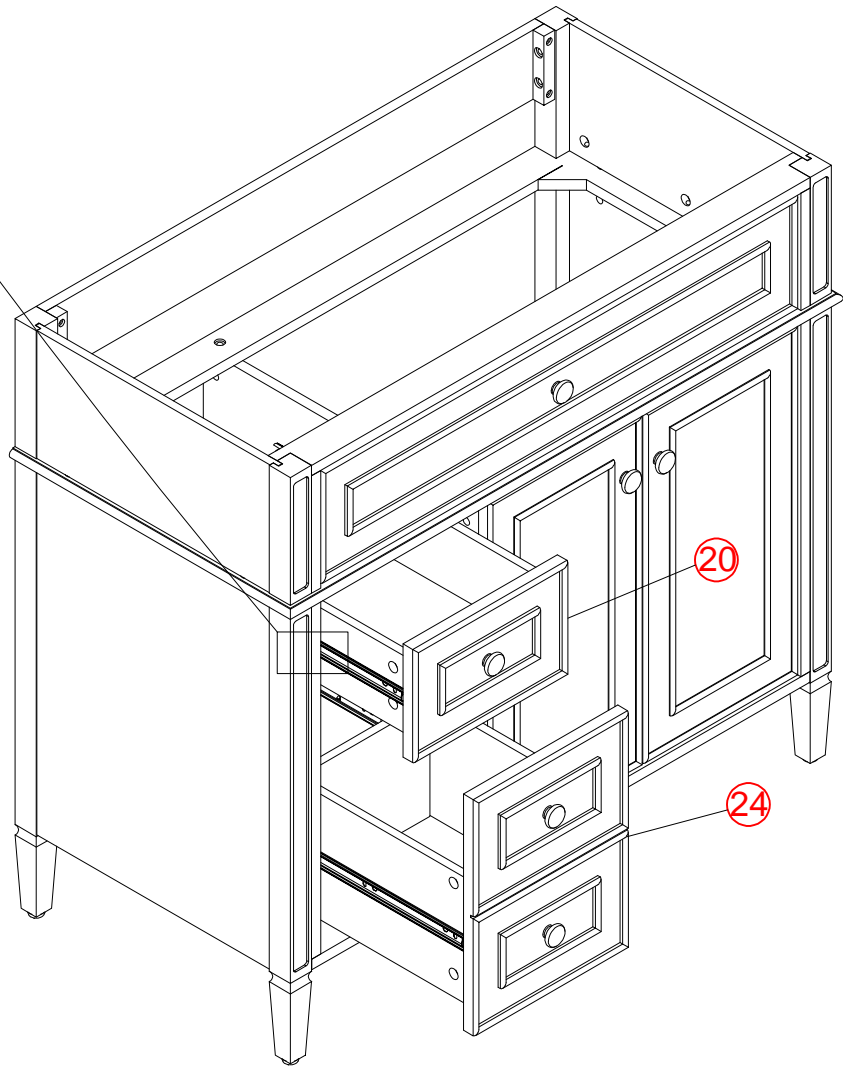
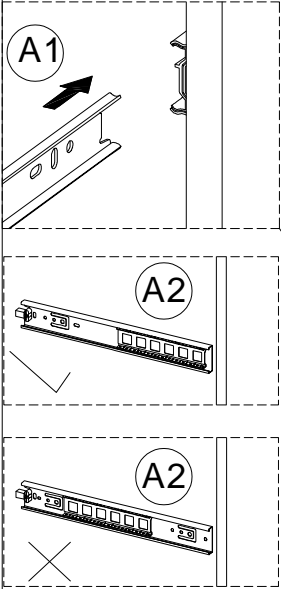
	$\text{Ø}5*35\text{MM}$		<b>4PCS</b>
	$\text{Ø}30\text{MM}$		<b>2PCS</b>
			$\text{M}4*20\text{MM}$
			<b>2PCS</b>

STEP 34



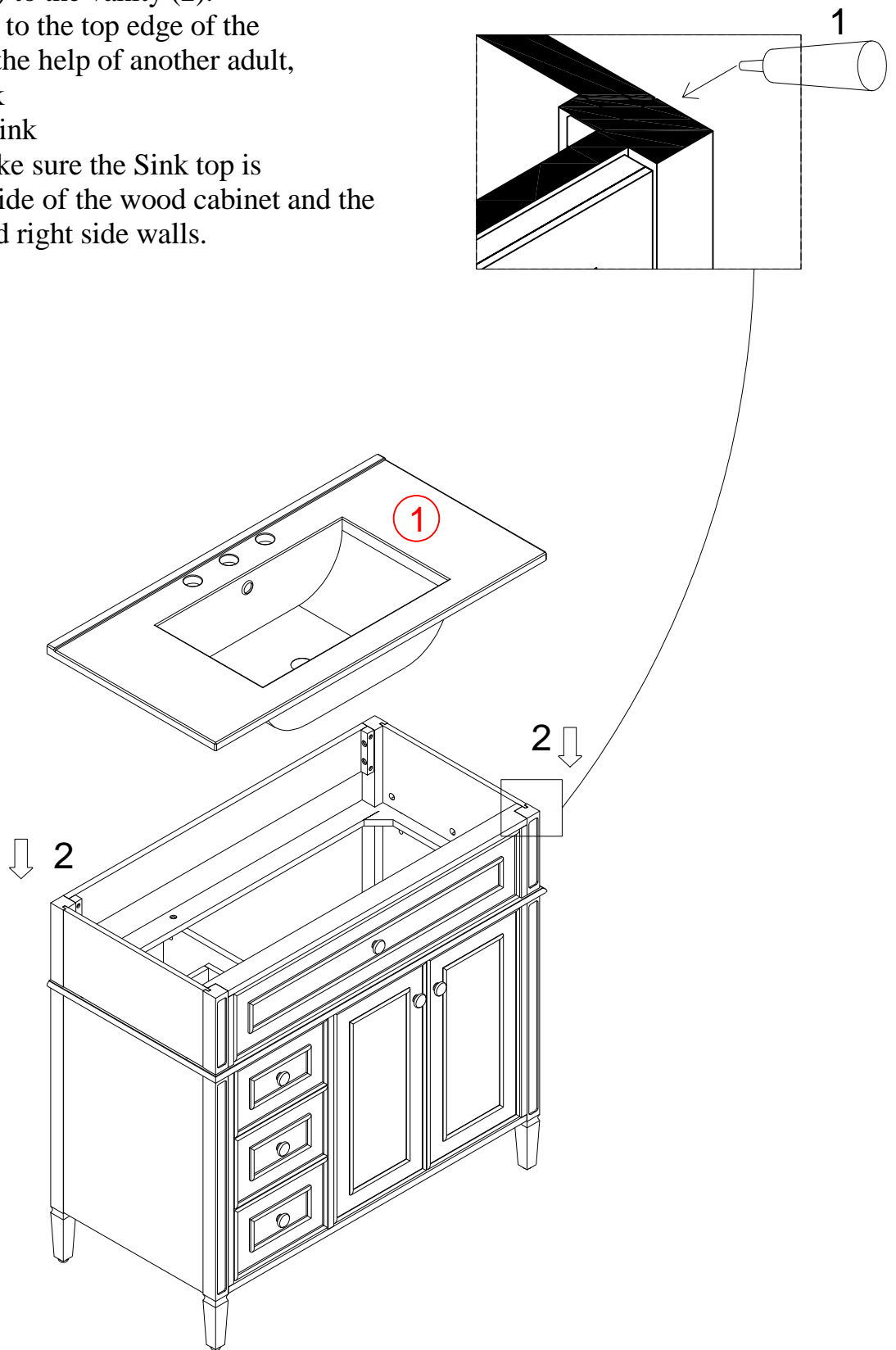
	$\text{Ø} 15$		<b>4PCS</b>
--	---------------	--	-------------

STEP 35

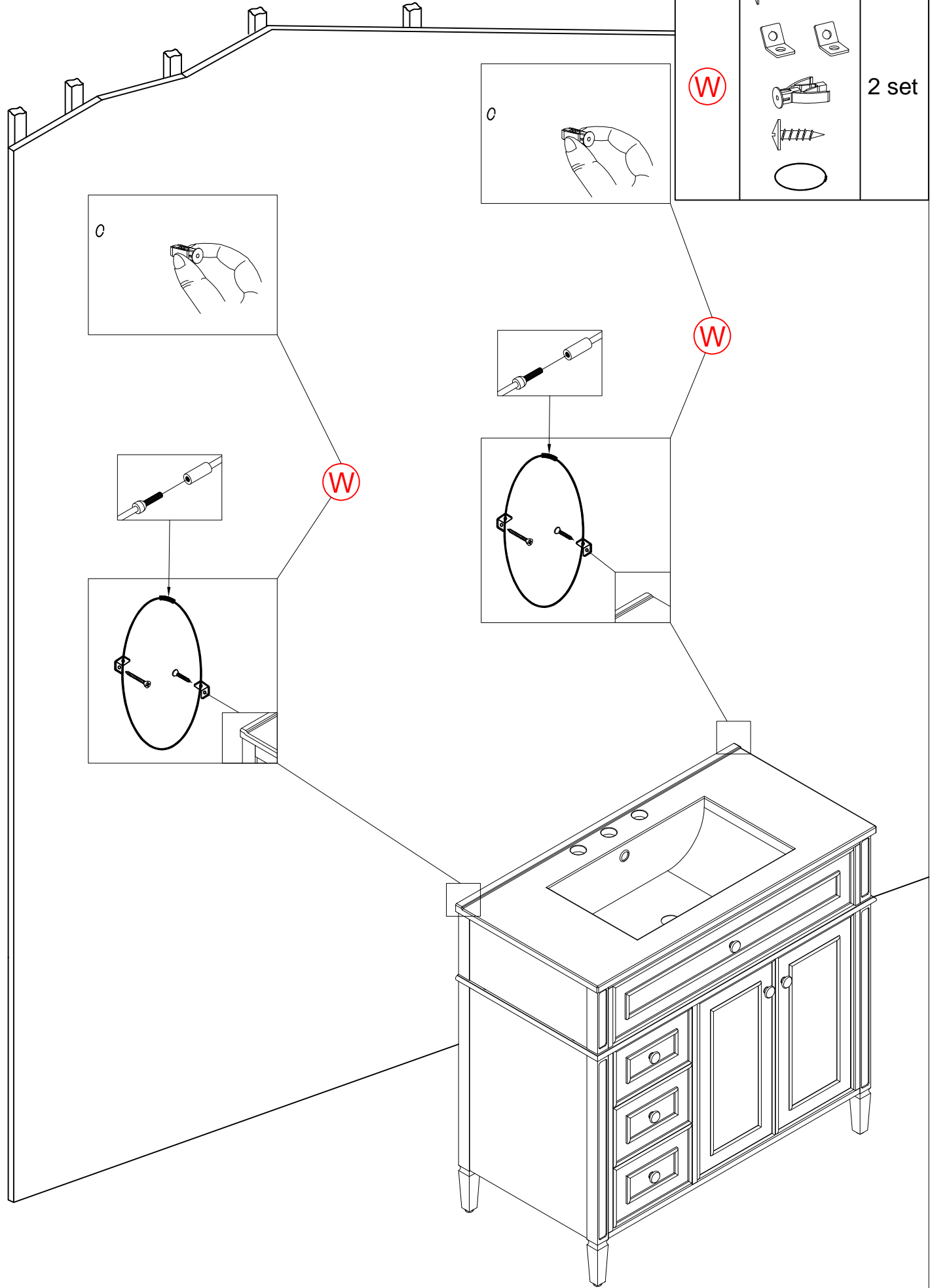


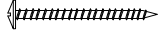

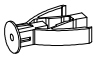


## STEP 36

To install the Top (1) to the vanity (2).  
Apply silicone caulk to the top edge of the wood cabinet. With the help of another adult, gently lower the Sink top with assembled sink onto the cabinet. Make sure the Sink top is flush with the back side of the wood cabinet and the wood cabinet left and right side walls.

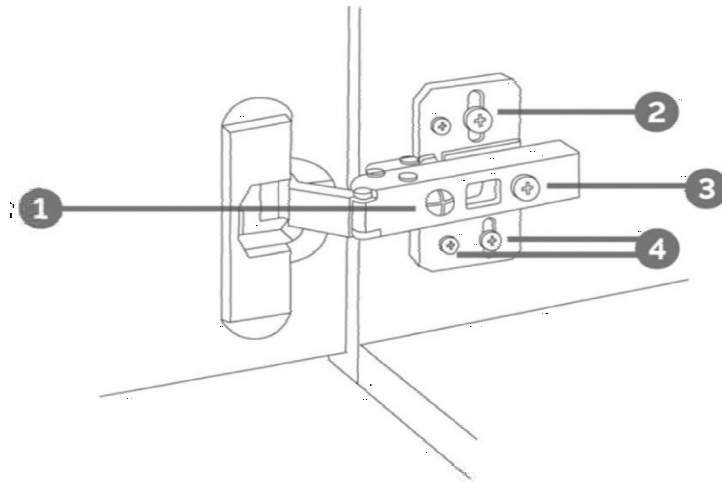


STEP 37



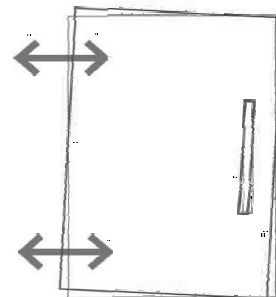
- 
  - 
  - 
  - 
  - 
- 2 set

# HINGE ADJUSTMENTS



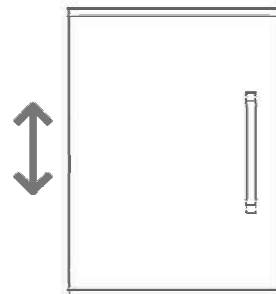
## 1 Sideways / Tilt adjustment

Turn the screw  
**clockwise** to move the door further away from  
the side of the cabinet  
**anticlockwise** to move the door closer to the  
side of the cabinet



## 2 4 Height adjustment

While supporting the weight of the door, turn the  
screws  
**clockwise** to move the door up  
**anticlockwise** to move the door down



## 3 Forward and back adjustment

If the gap between the back of the door and the  
cabinet is too small, and the door may not close  
fully. Turn the screw  
**clockwise** to decrease the gap between the  
door and the cabinet  
**anticlockwise** to increase the gap between the  
door and the cabinet

