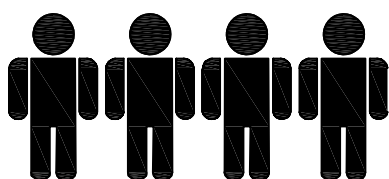
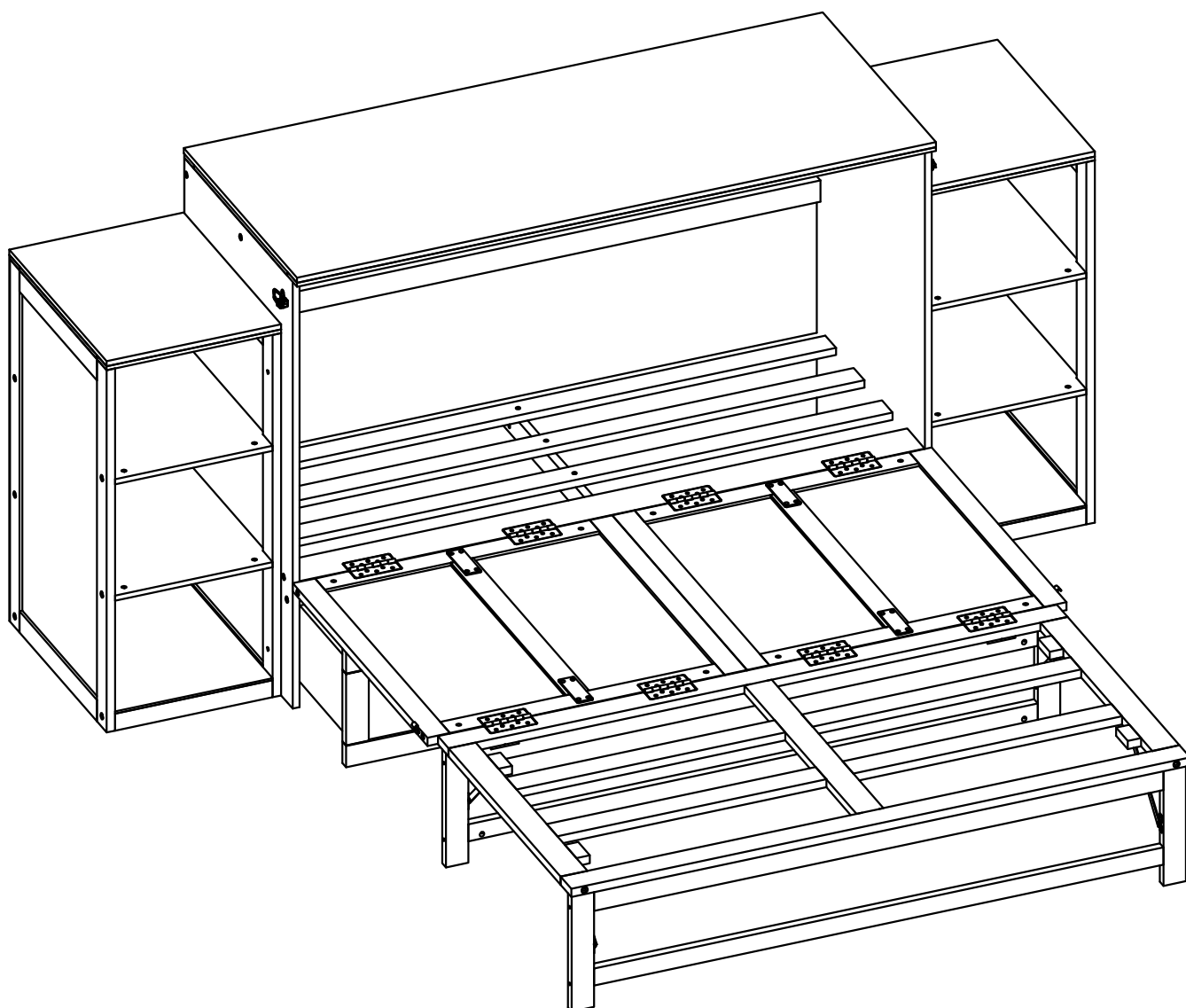
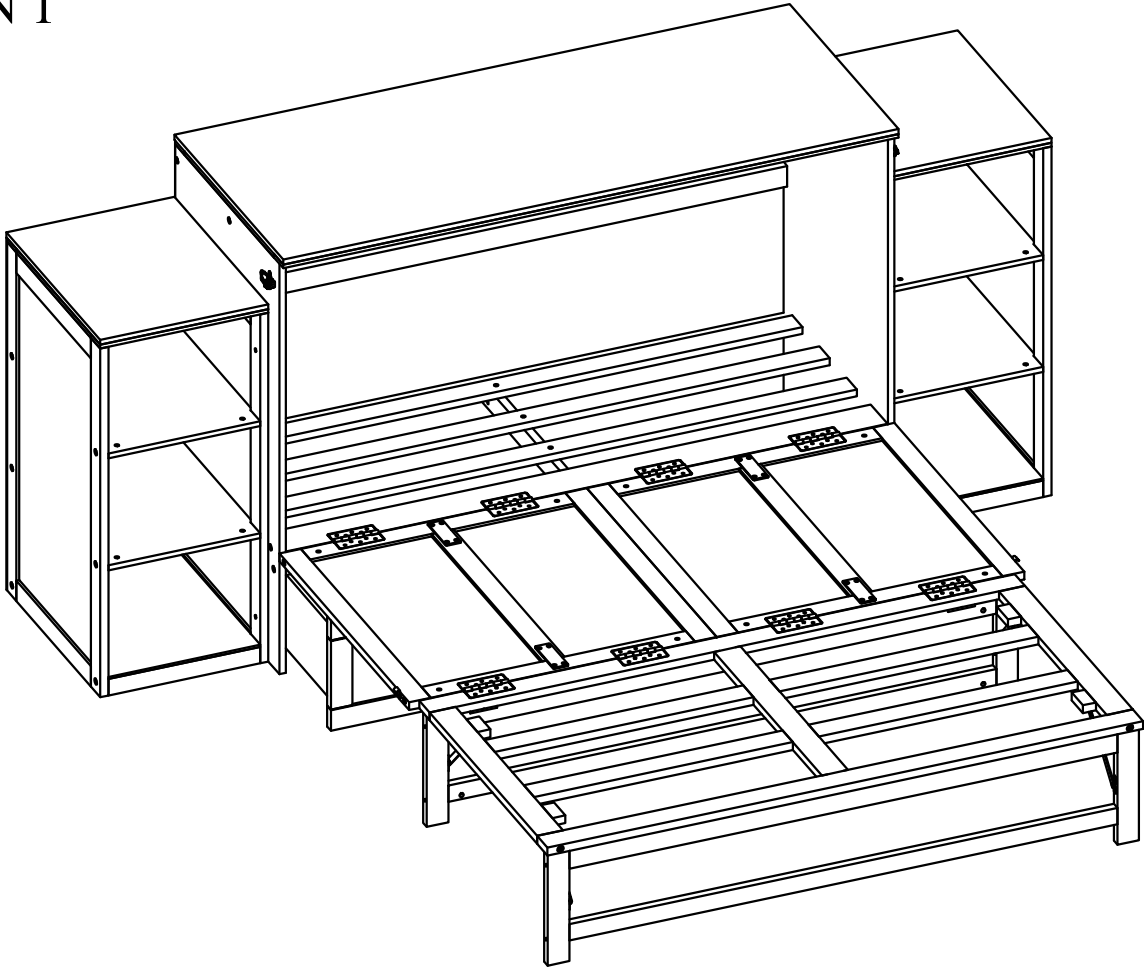


# ASSEMBLY INSTRUCTION

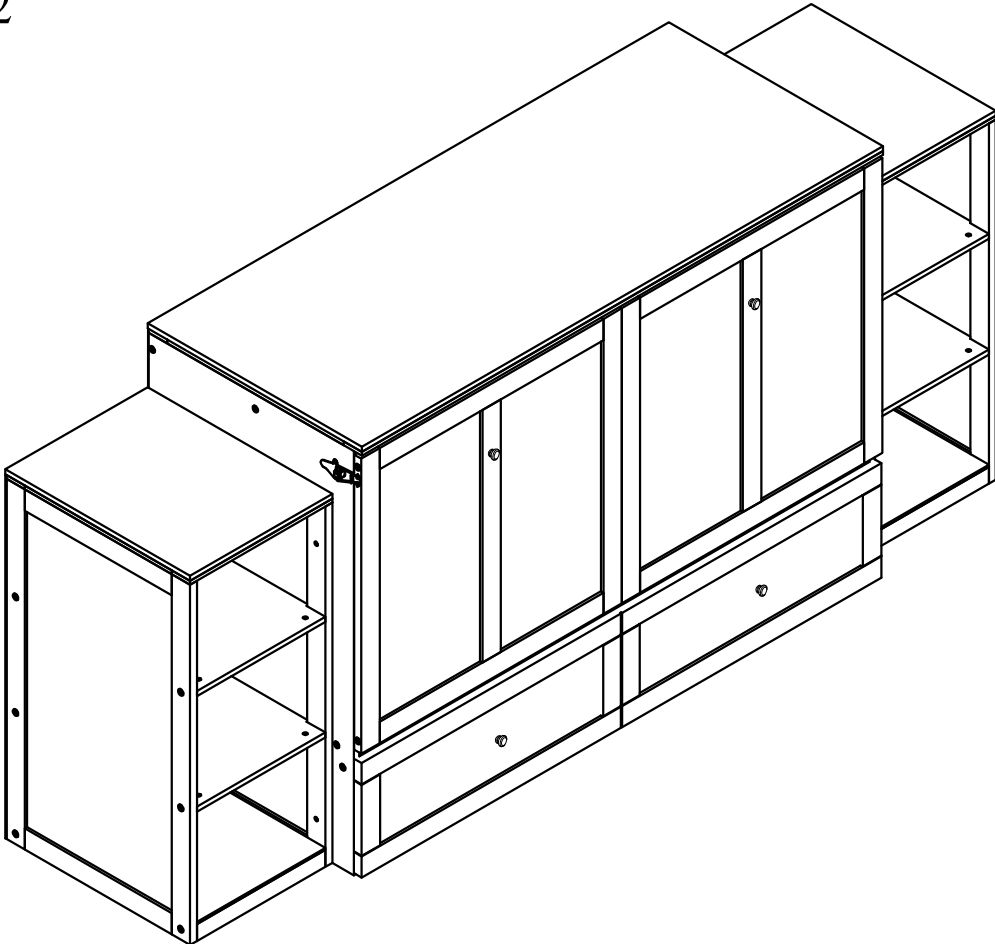


Four people are required to assemble and move this model.

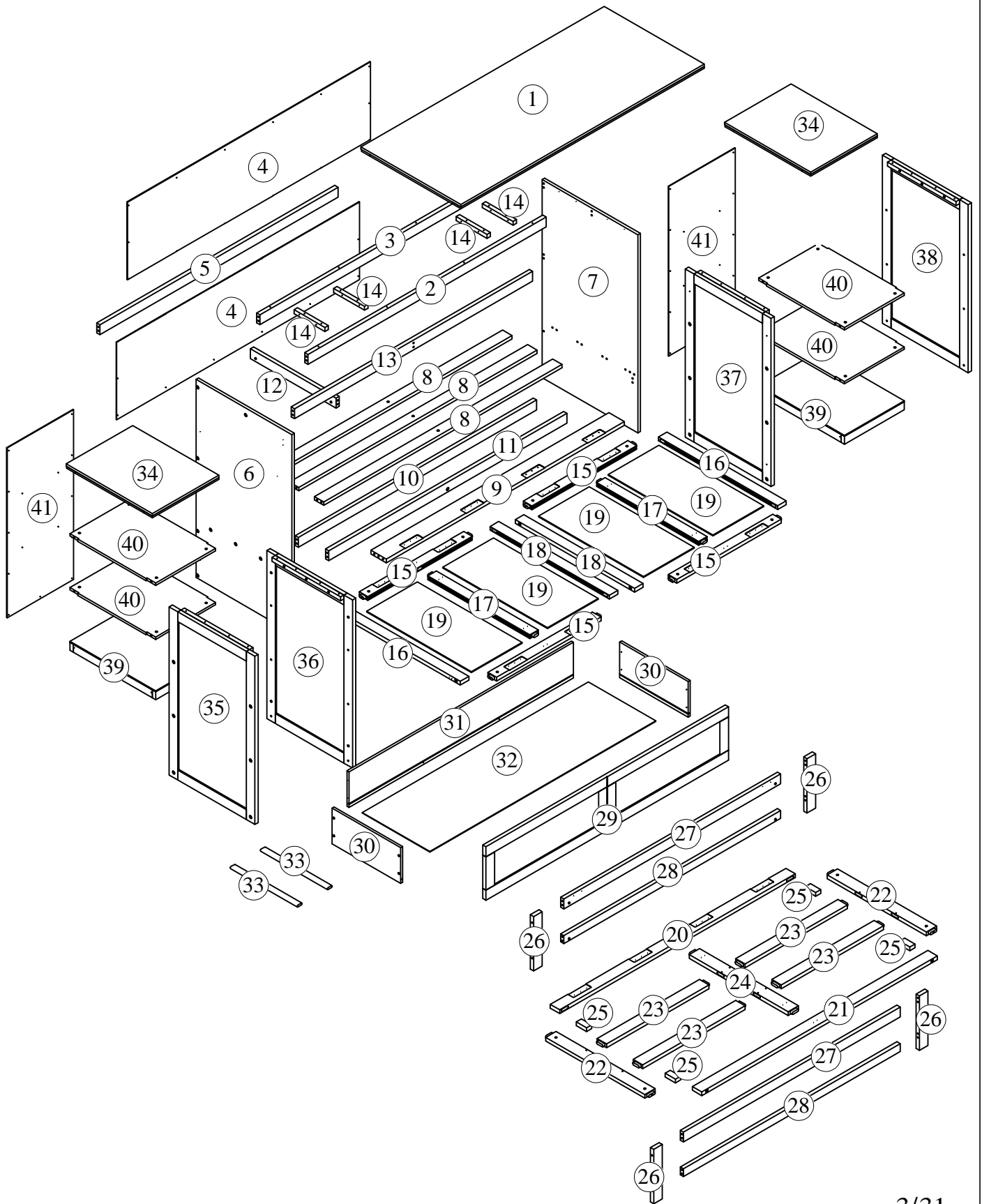
OPTION 1



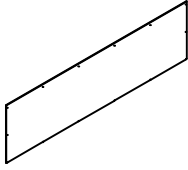

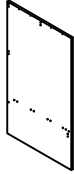
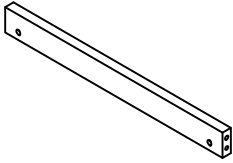

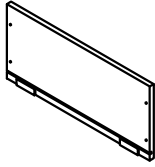
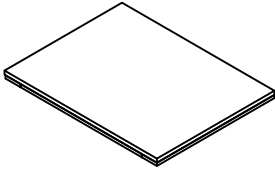
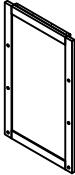
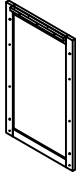
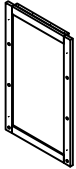
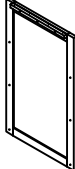
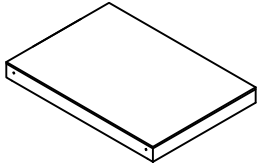
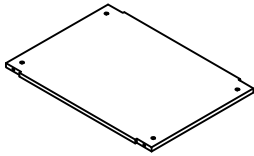

OPTION 2



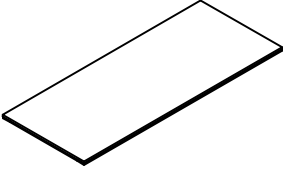
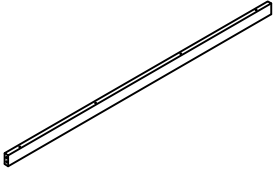
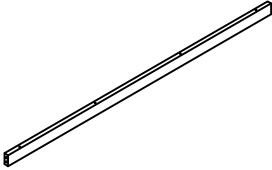
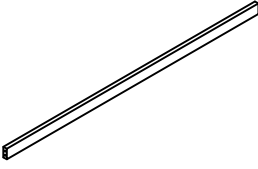
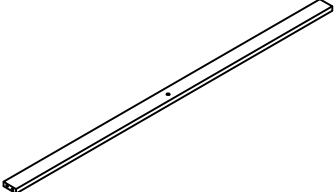
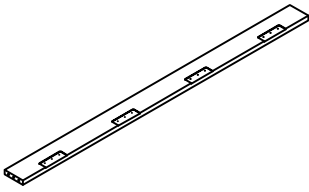
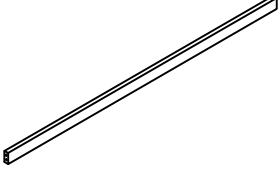
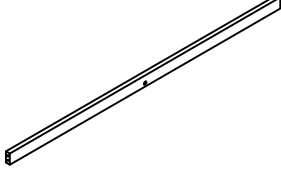
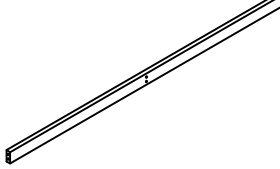
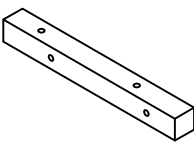
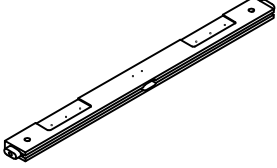
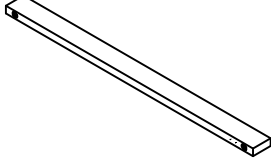
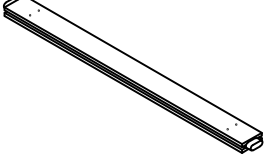
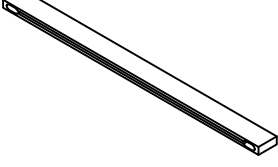
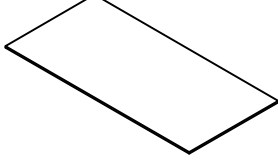
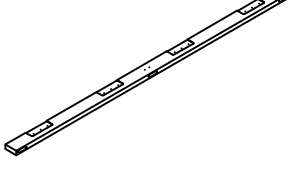
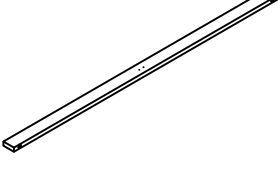
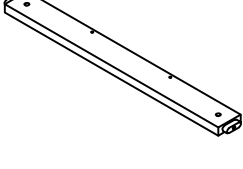
# ASSEMBLY INSTRUCTION



# Part List (Box 1) and hardware box

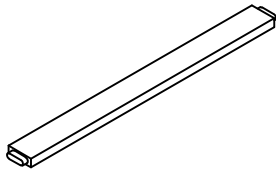
<p>4</p>  <p>Back panel-2pcs</p>	<p>6</p>  <p>Left side panel-1pc</p>	<p>7</p>  <p>Right side panel-1pc</p>
<p>12</p>  <p>Center vertical bar-1pc</p>	<p>26</p>  <p>Wood leg-4pcs</p>	<p>30</p>  <p>Drawer side panel-2pcs</p>
<p>34</p>  <p>Cabinet top panel-2pcs</p>	<p>35</p>  <p>Cabinet left panel-1pc</p>	<p>36</p>  <p>Cabinet right panel-1pc</p>
<p>37</p>  <p>Cabinet left panel-1pc</p>	<p>38</p>  <p>Cabinet right panel-1pc</p>	<p>39</p>  <p>Cabinet bottom panel-2pcs</p>
<p>40</p>  <p>Tiered shelf-4pcs</p>	<p>41</p>  <p>Cabinet back panel-2pcs</p>	

# Part List (Box 2) and hardware box

<p>1</p>  <p>Top panel-1pc</p>	<p>2</p>  <p>Top front cross bar-1pc</p>	<p>3</p>  <p>Top back cross bar-1pc</p>
<p>5</p>  <p>Back middle cross bar-1pc</p>	<p>8</p>  <p>Slat-3pcs</p>	<p>9</p>  <p>Slat-1pc</p>
<p>10</p>  <p>Bottom cross bar-1pc</p>	<p>11</p>  <p>Front under cross bar-1pc</p>	<p>13</p>  <p>Center vertical bar-1pc</p>
<p>14</p>  <p>Wooden block-4pcs</p>	<p>15</p>  <p>Middle frame cross bar-4pcs</p>	<p>16</p>  <p>Outer middle frame bar-2pcs</p>
<p>17</p>  <p>Central middle frame bar-2pcs</p>	<p>18</p>  <p>Inner middle frame bar-2pcs</p>	<p>19</p>  <p>Middle frame panel-4pcs</p>
<p>20</p>  <p>Inner outer frame bar-1pc</p>	<p>21</p>  <p>Outer frame bar-1pc</p>	<p>22</p>  <p>Outer frame vertical bar-2pcs</p>

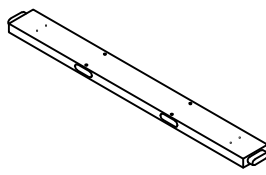
# Part List (Box 2) and hardware box

23



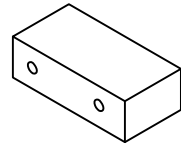
Middle outer frame cross bar-4pcs

24



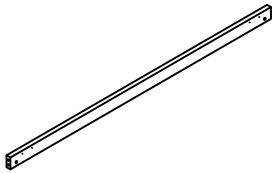
Middle vertical bar-1pc

25



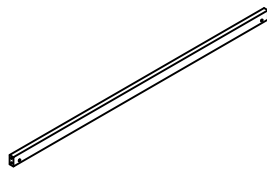
Wooden block-4pcs

27



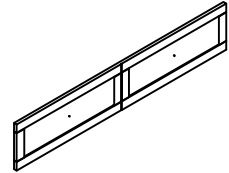
Upper leg cross bar-2pcs

28



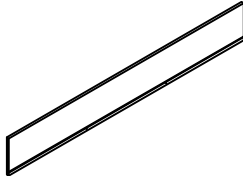
Lower leg cross bar-2pcs

29



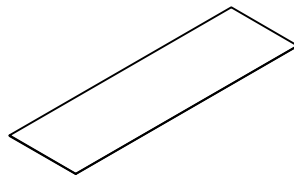
Drawer front frame-1pc

31



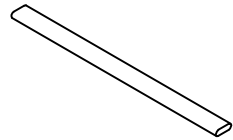
Drawer back panel-1pc

32





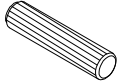
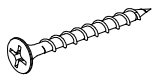
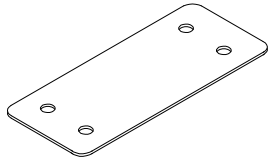
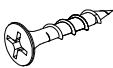
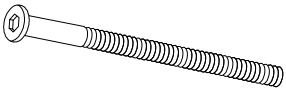
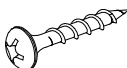
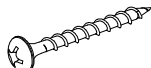
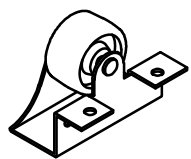
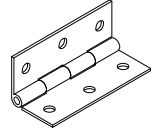
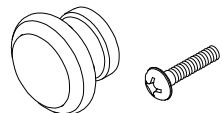
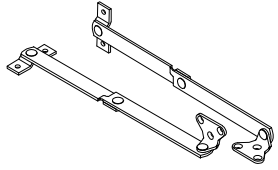
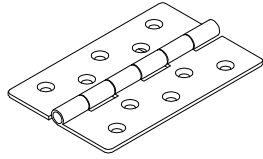
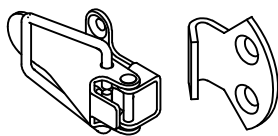

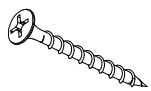
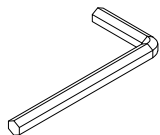
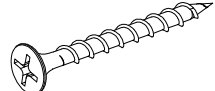
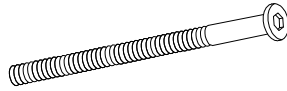
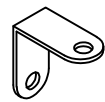
Drawer bottom panel-1pc

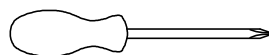
33



Drawer support bar-2pcs

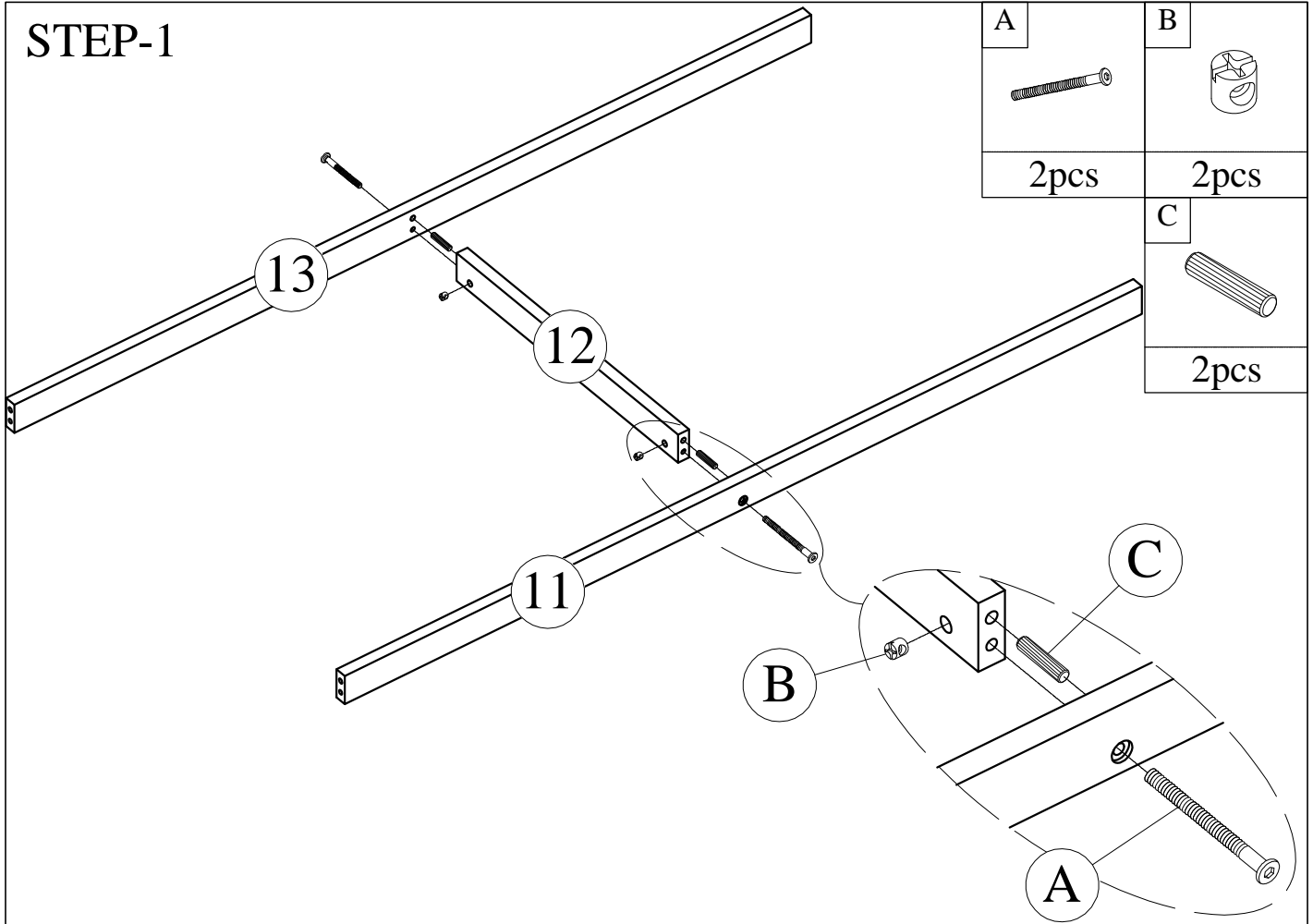
# Hardware List (Box 1)



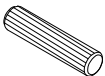
<p><b>A</b></p>  <p>Ø1/4" x 60 mm Hex-Head bolts 38pcs</p>	<p><b>B</b></p>  <p>Ø1/4" x 12 mm Horizontal-Hole bolts 58pcs</p>	<p><b>C</b></p>  <p>Ø8 x 30 mm Wood dowel 32pcs</p>
<p><b>D</b></p>  <p>M4 x 30 mm Wood Screws 16pcs</p>	<p><b>E</b></p>  <p>Straight pat - 6pcs</p>	<p><b>F</b></p>  <p>M3.5 x 15 mm Wood Screws 140pcs</p>
<p><b>G</b></p>  <p>Ø1/4" x 100 mm Hex-Head bolts 12pcs</p>	<p><b>H</b></p>  <p>M4 x 15 mm Wood Screws 92pcs</p>	<p><b>I</b></p>  <p>M4 x 30 mm Wood Screws 35pcs</p>
<p><b>J</b></p>  <p>Wheels - 4pcs</p>	<p><b>K</b></p>  <p>Hinges 4pcs</p>	<p><b>L</b></p>  <p>Wood Handle - 4pcs</p>
<p><b>M</b></p>  <p>Folding Strut - 2sets (4pcs)</p>	<p><b>N</b></p>  <p>Hinges 8pcs</p>	<p><b>O</b></p>  <p>Latch Clip bumper - 2pcs</p>
<p><b>P</b></p>  <p>Screws 1/4" x30 - 8pcs</p>	<p><b>Q</b></p>  <p>M4 x 25 mm Wood Screws 10pcs</p>	<p><b>R</b></p>  <p>Allen Key 4pcs</p>
<p><b>S</b></p>  <p>M4 x 50 mm Wood Screws 8pcs</p>	<p><b>T</b></p>  <p>Ø1/4" x 90mm Hex-Head bolts 8pcs</p>	<p><b>U</b></p>  <p>25x25x12x1.2 mm L Angle pat- 2pcs</p>



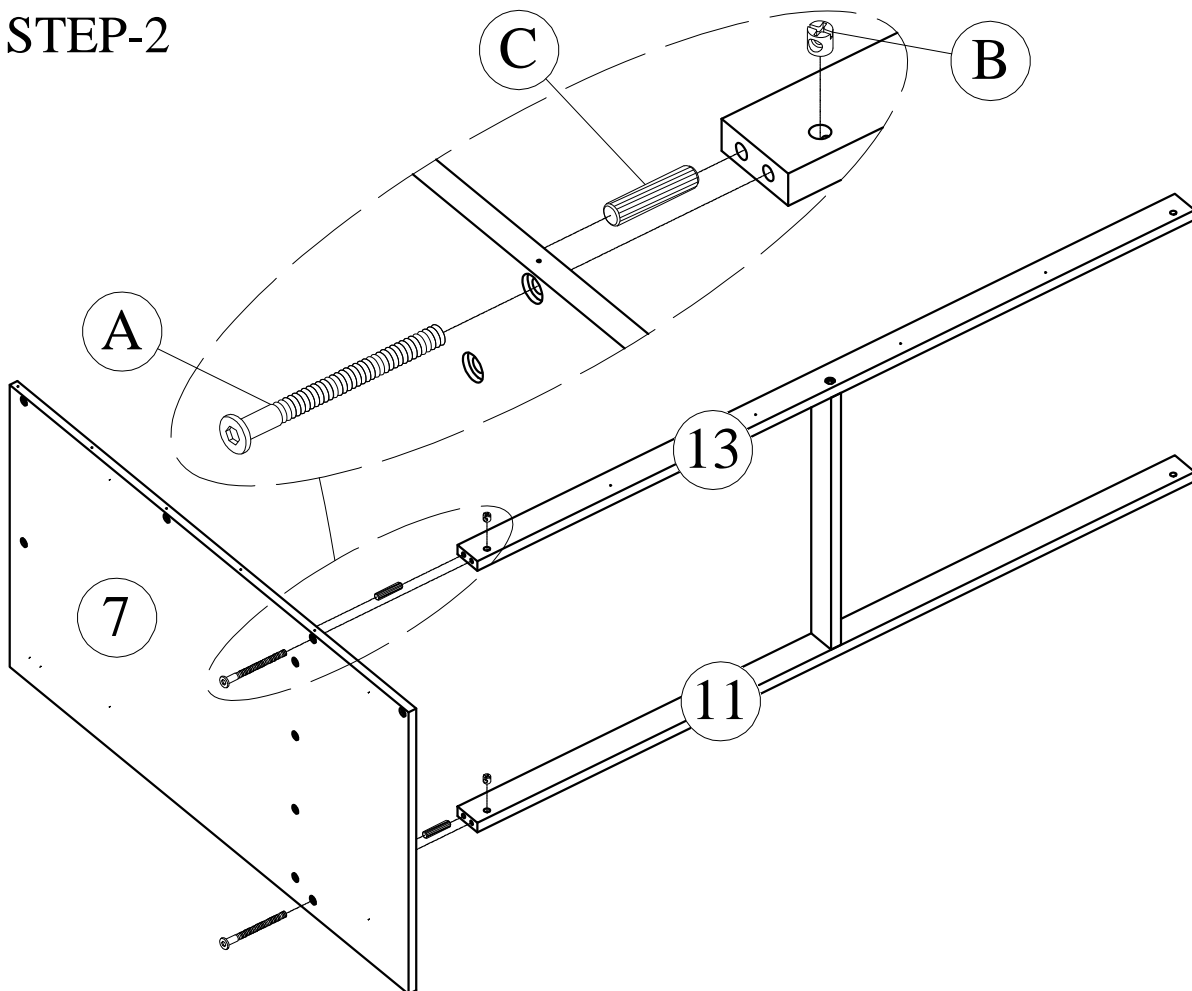
Assembly Tools Required (Not Included)  
Outils d'assemblage requis (non inclus)


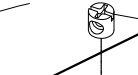

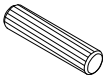
# STEP-1



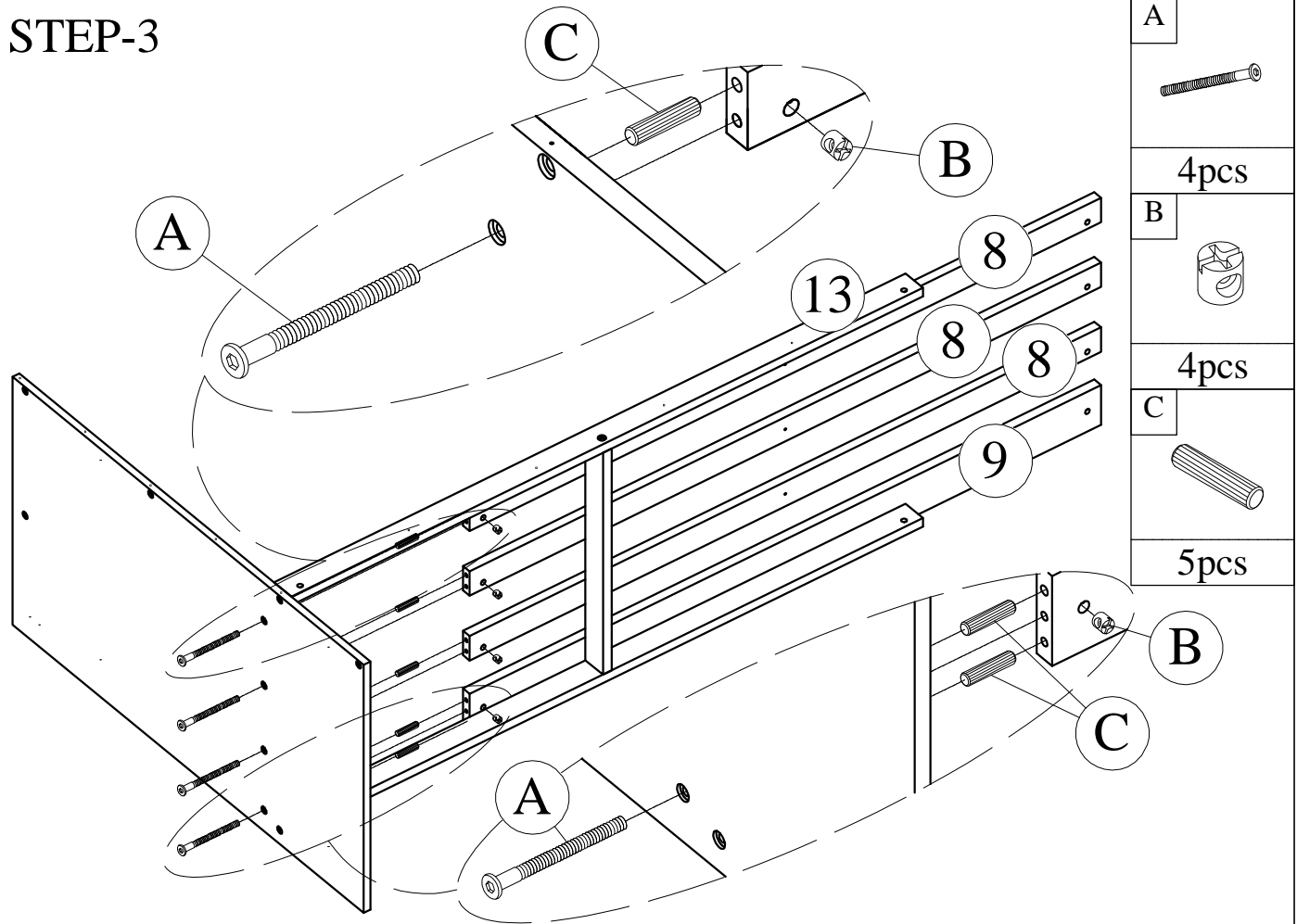
A	B
	
2pcs	2pcs
	C
	
	2pcs



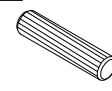
# STEP-2



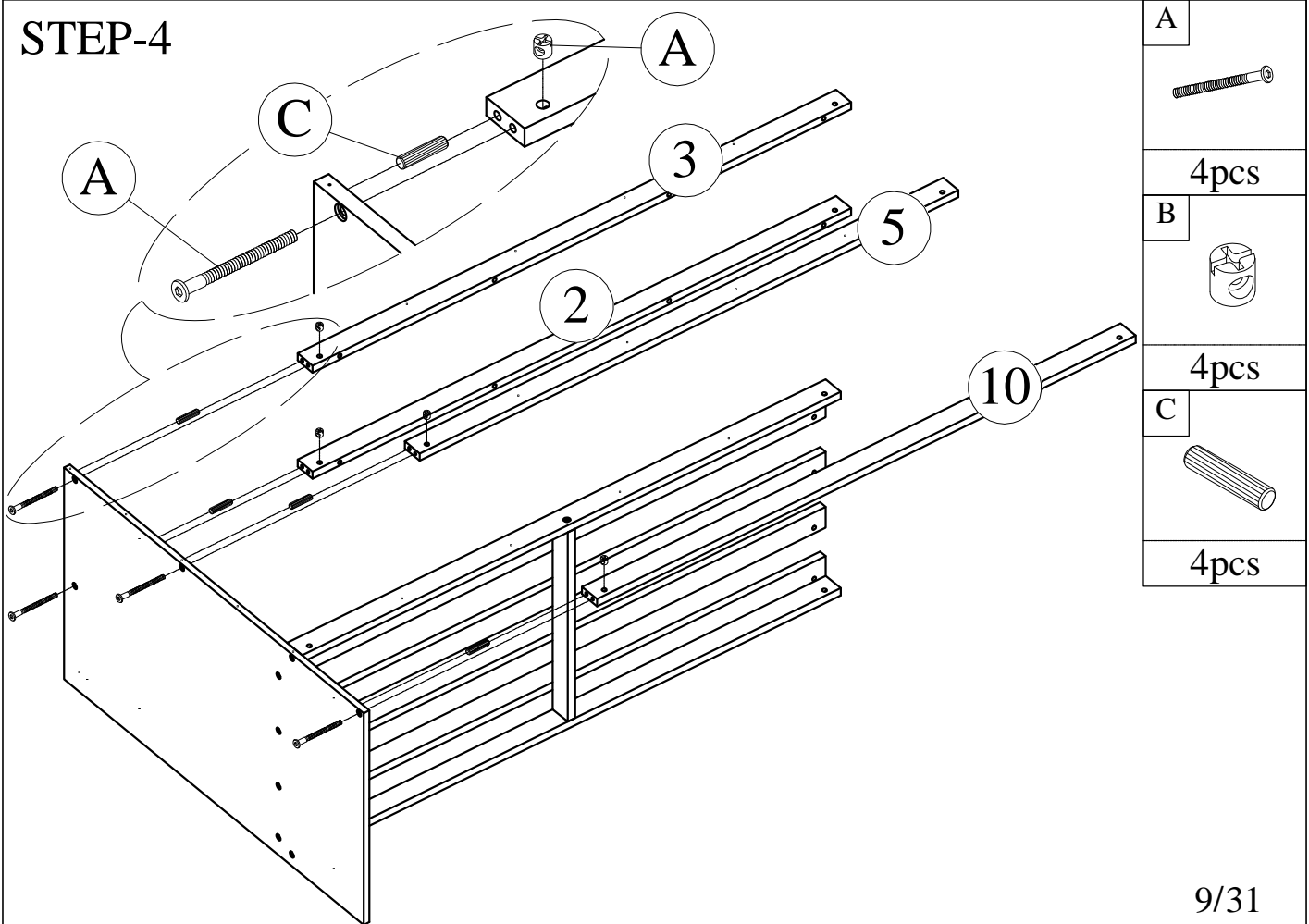
A	B
	
2pcs	2pcs
B	C
	
2pcs	2pcs



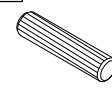
### STEP-3



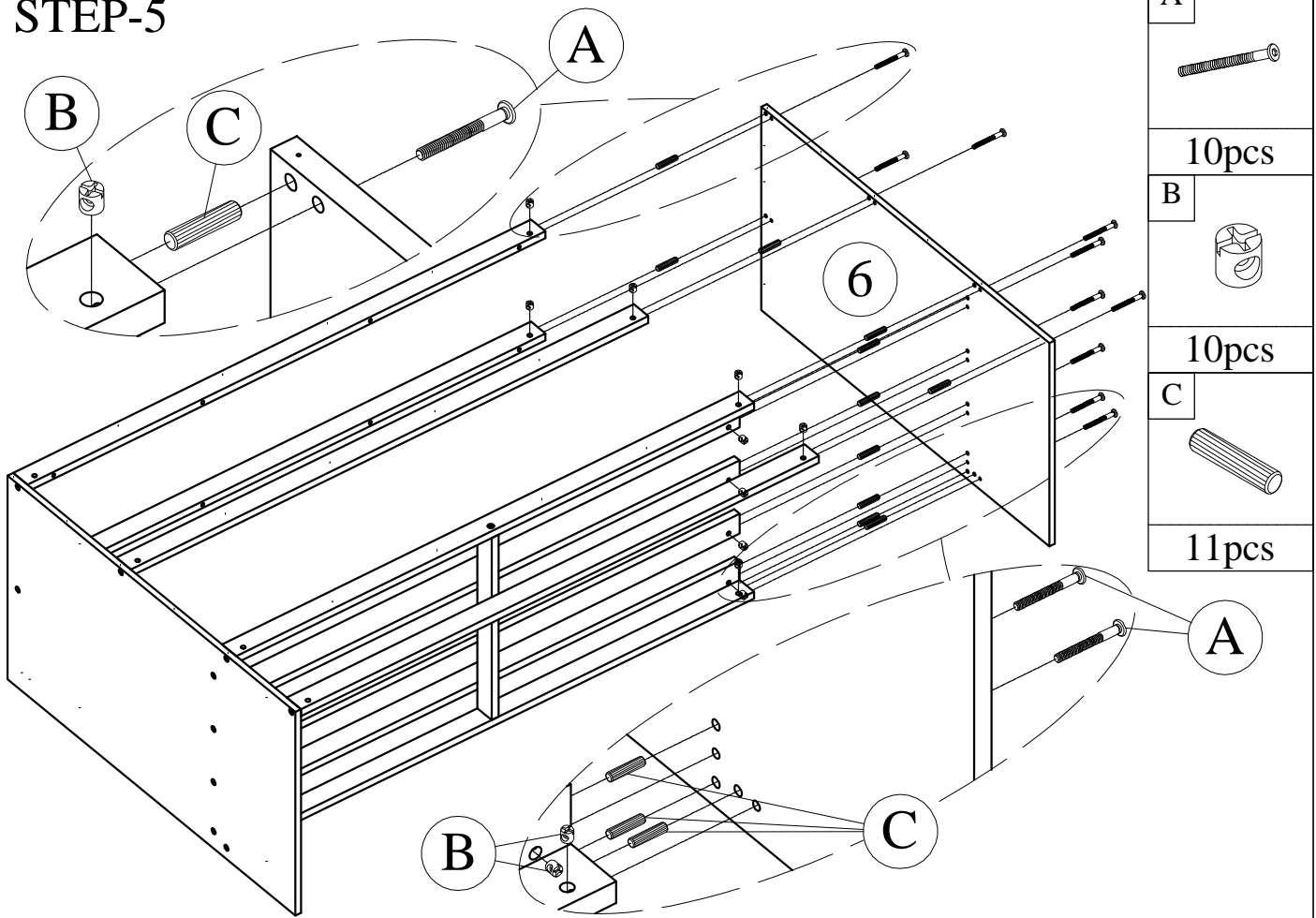
A	
	4pcs
B	
	4pcs
C	
	5pcs

### STEP-4

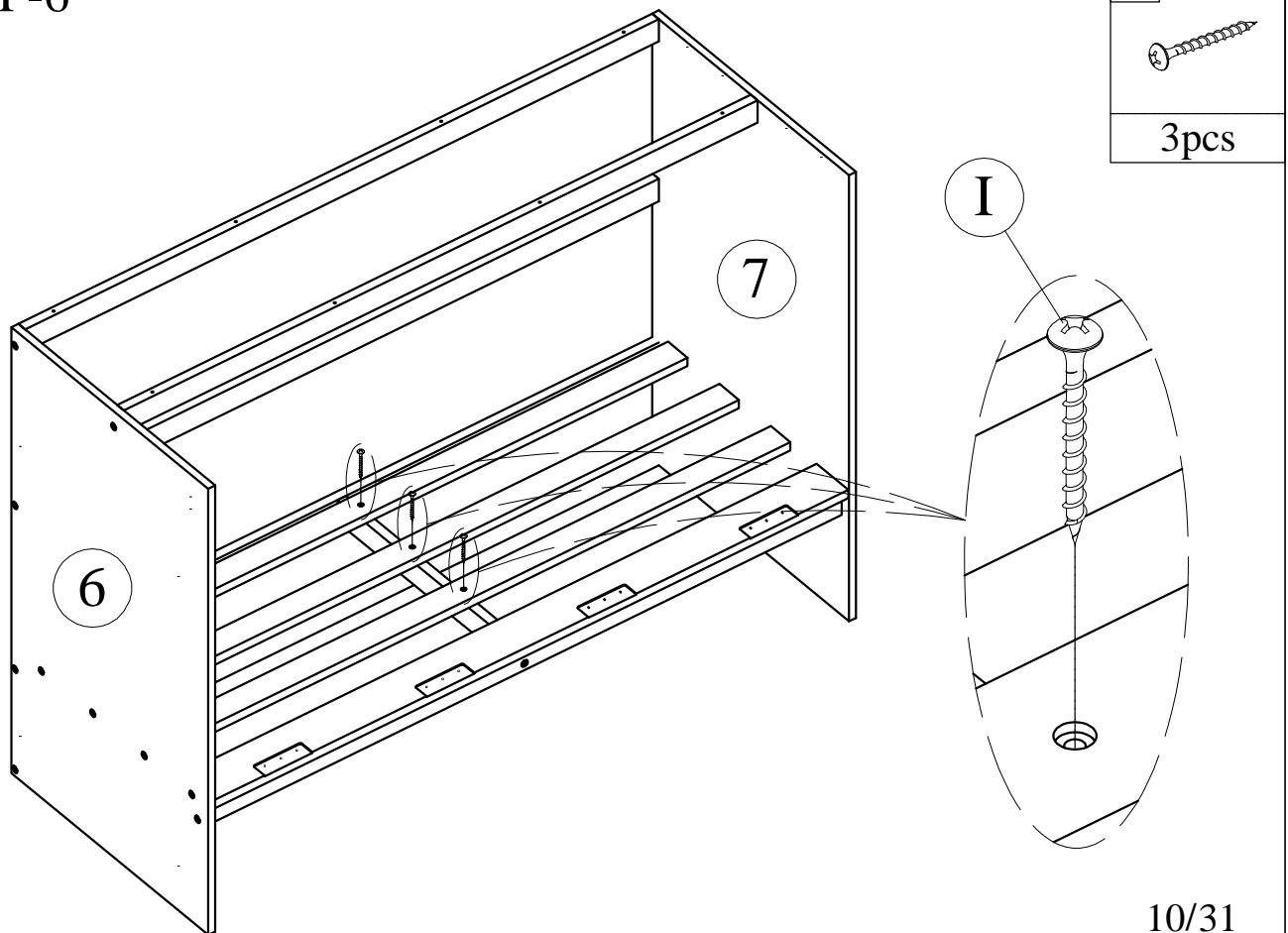


A	
	4pcs
B	
	4pcs
C	
	4pcs

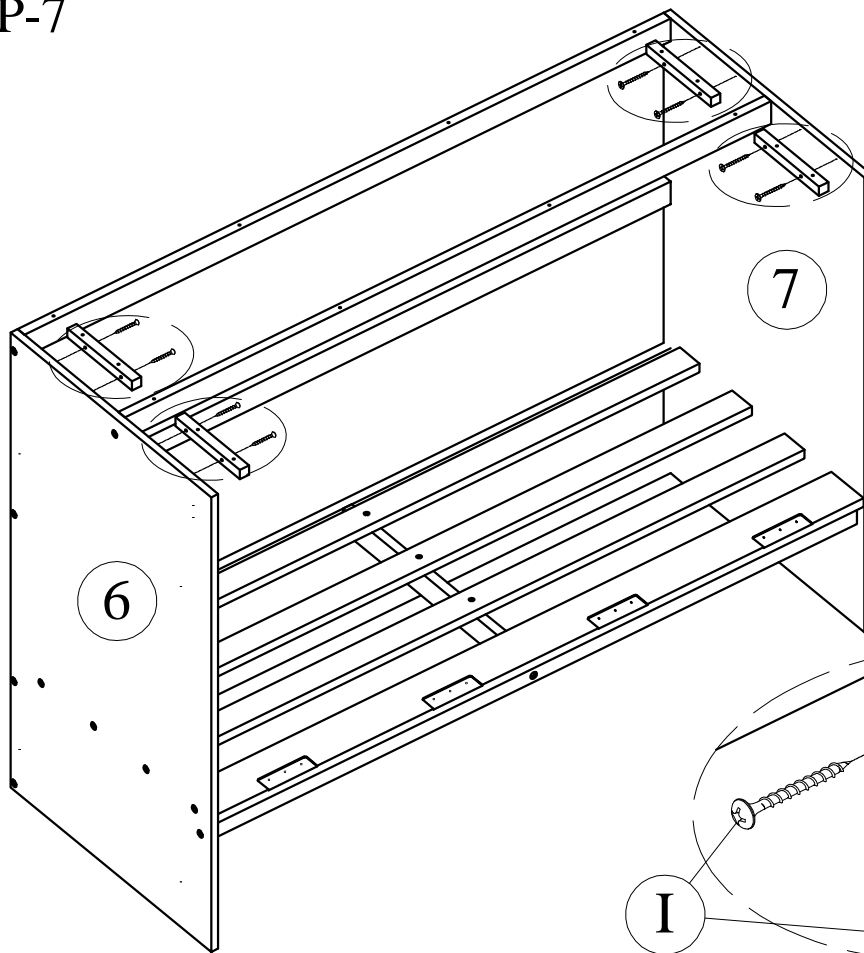
# STEP-5




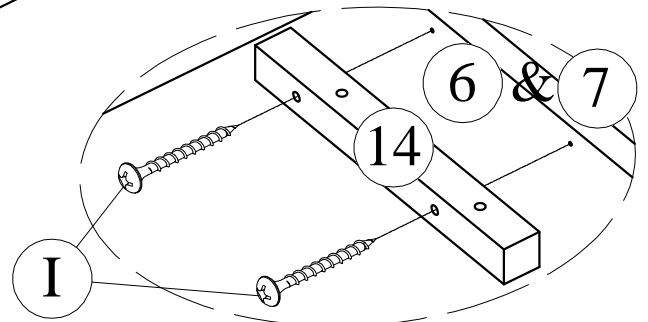
# STEP-6



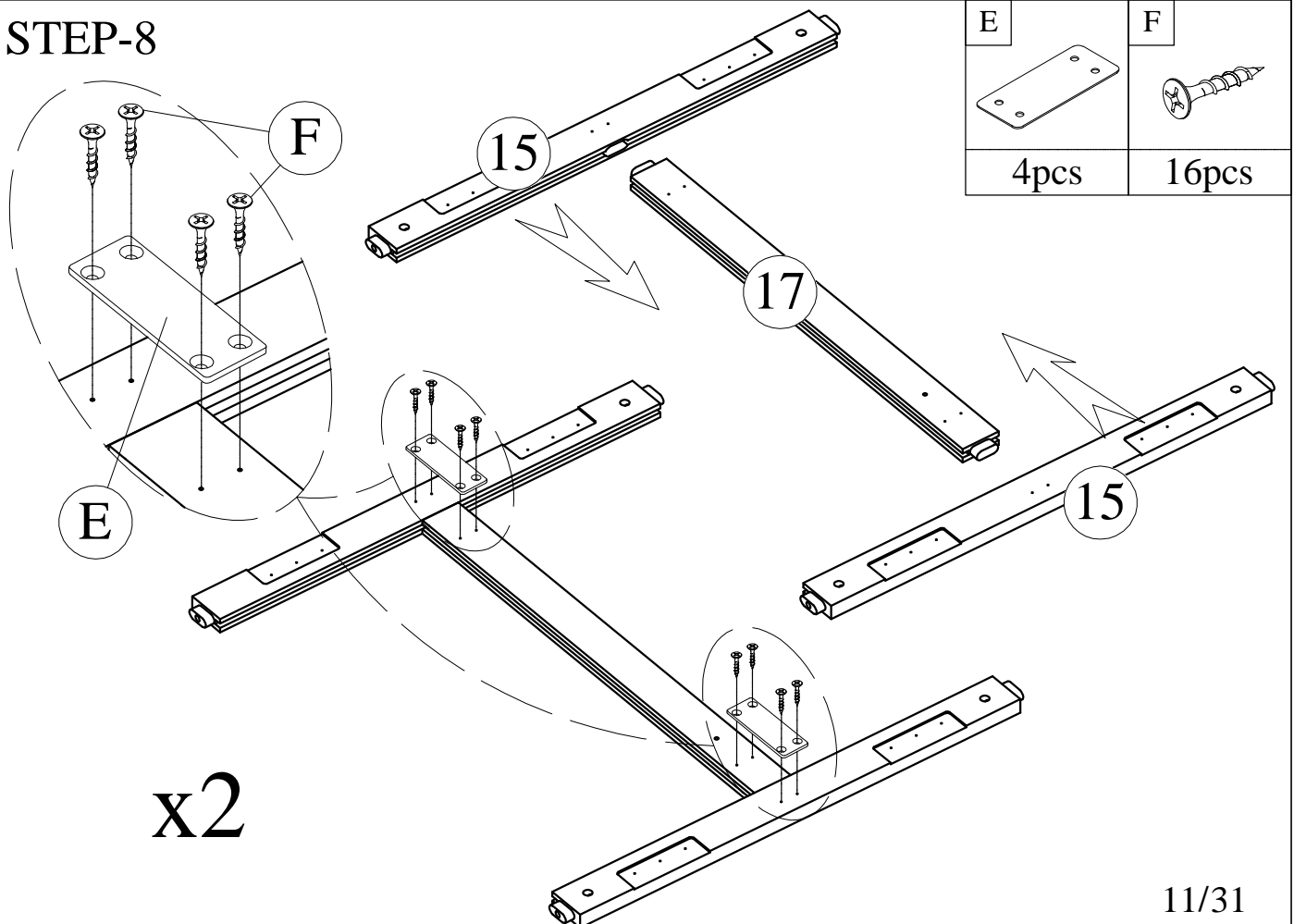
# STEP-7

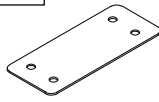
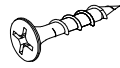


I

8pcs



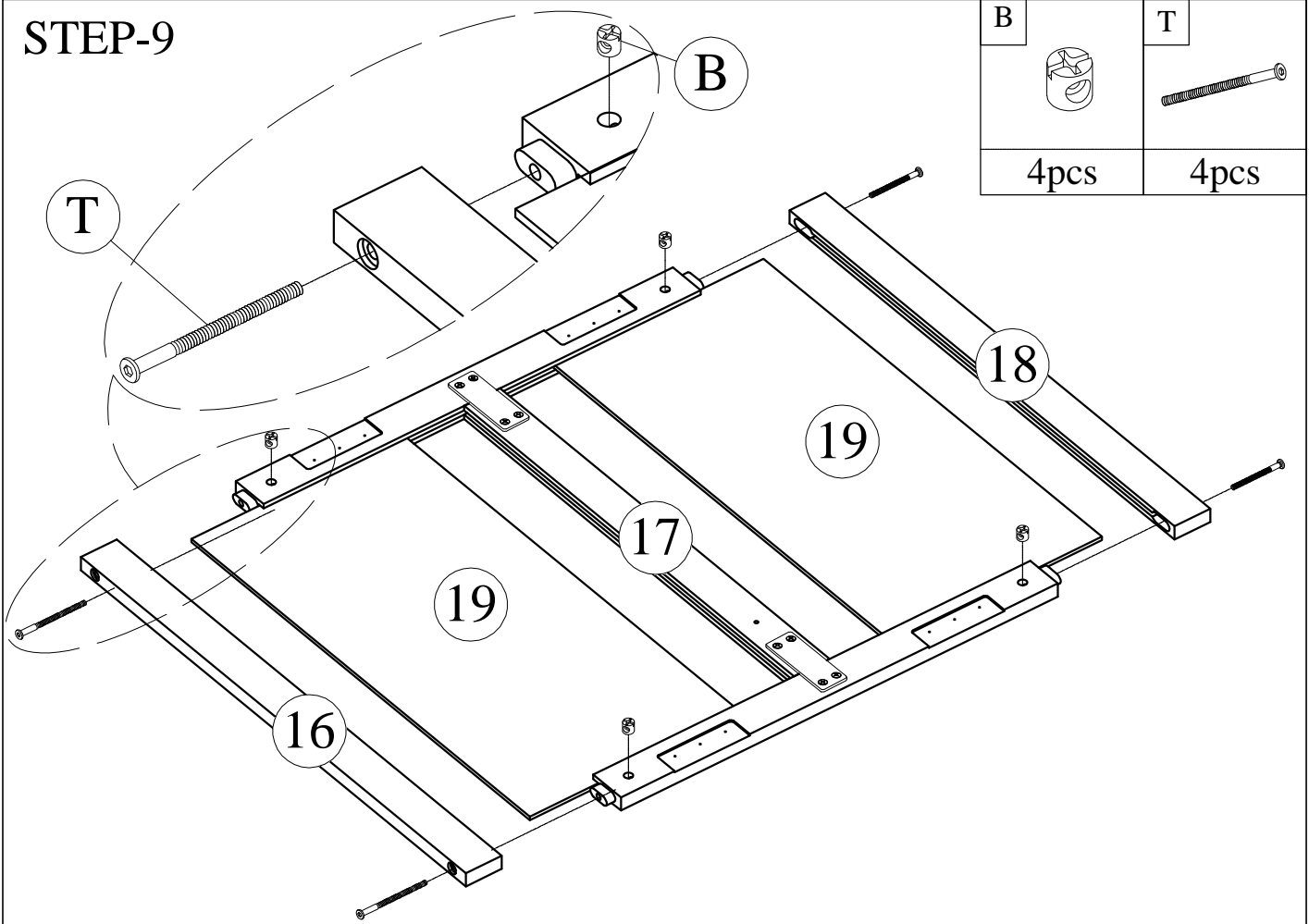
# STEP-8





E	F
	
4pcs	16pcs

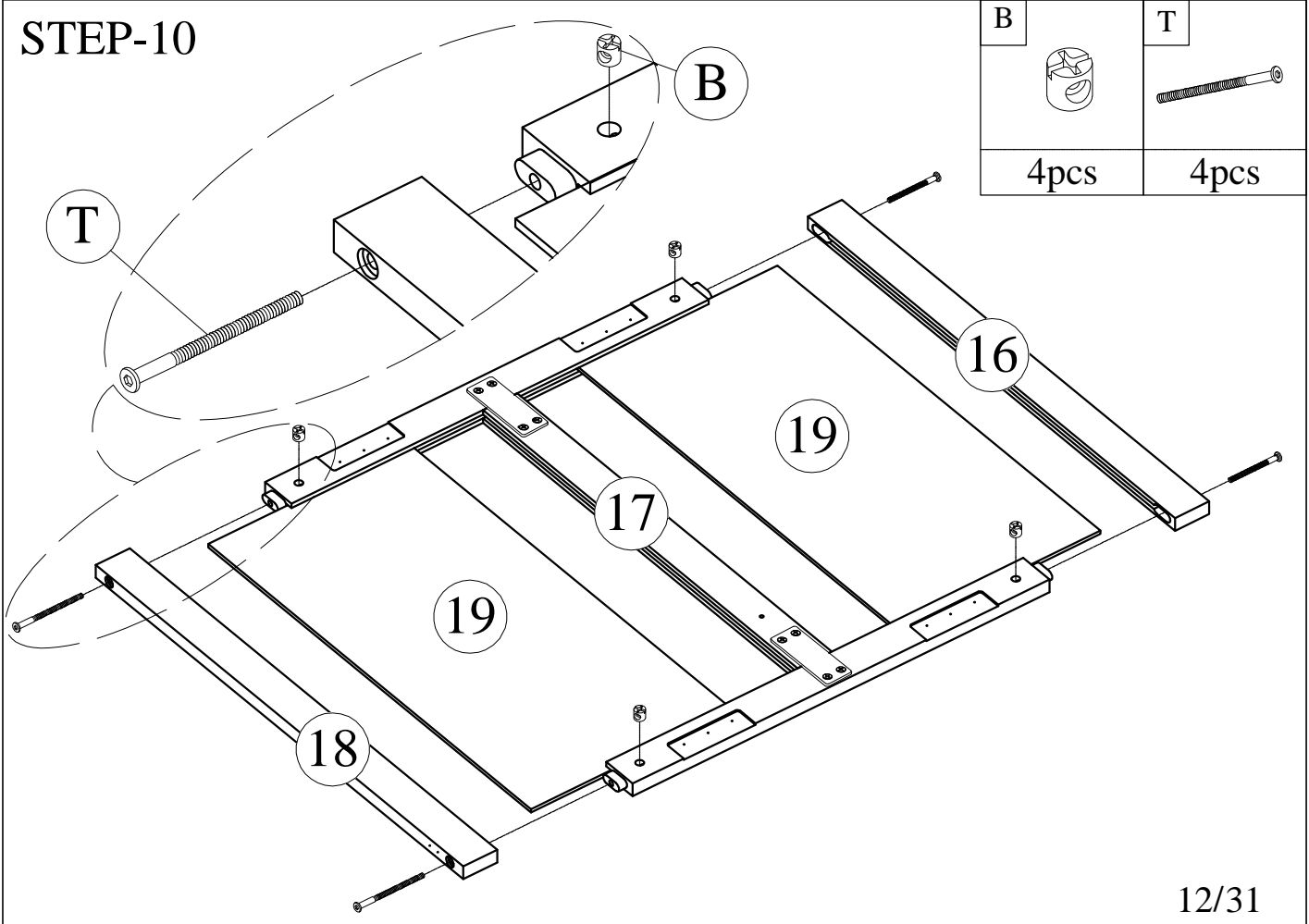
x2



# STEP-9



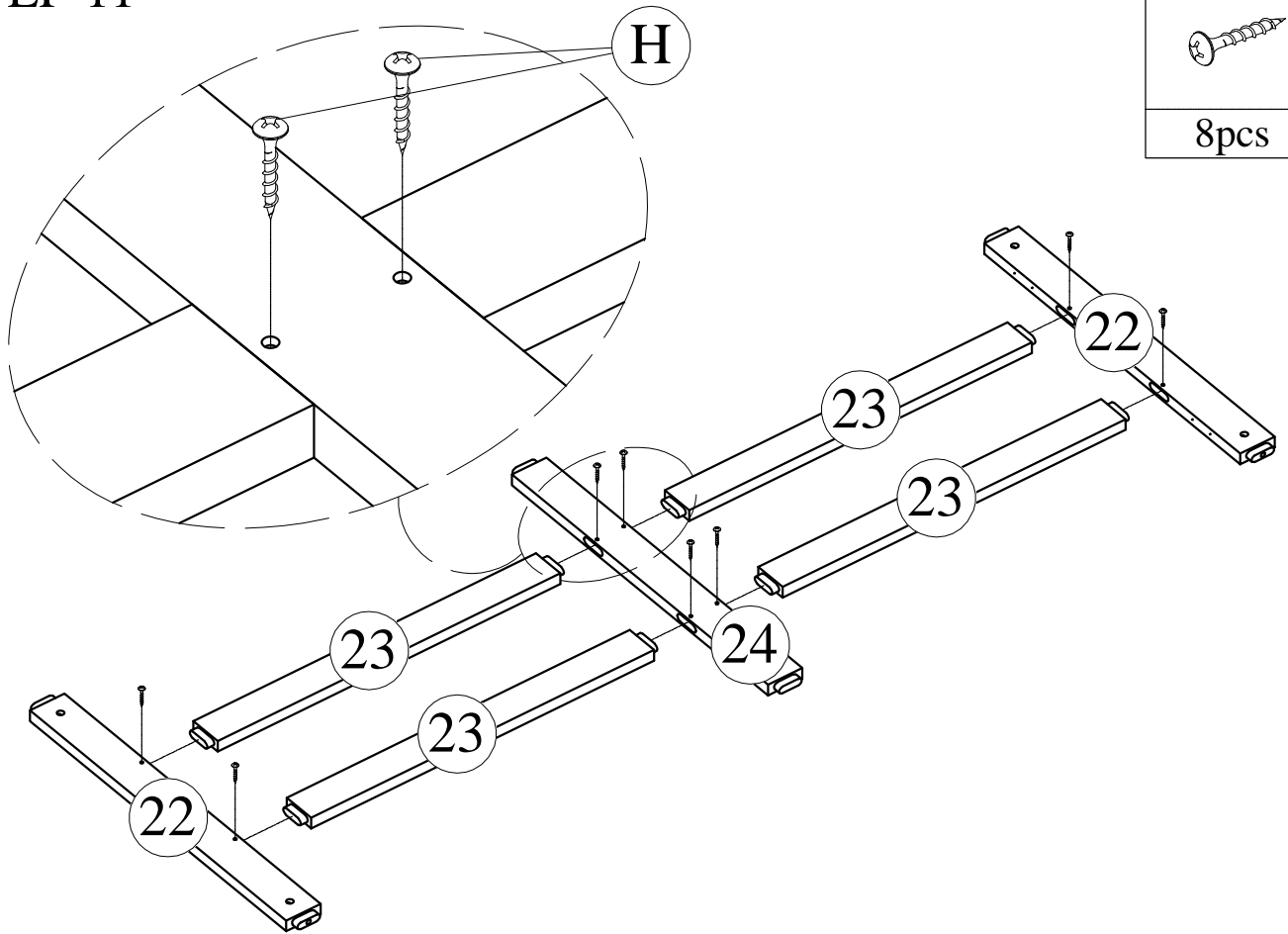
B		T	
	4pcs		4pcs

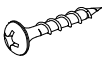
# STEP-10



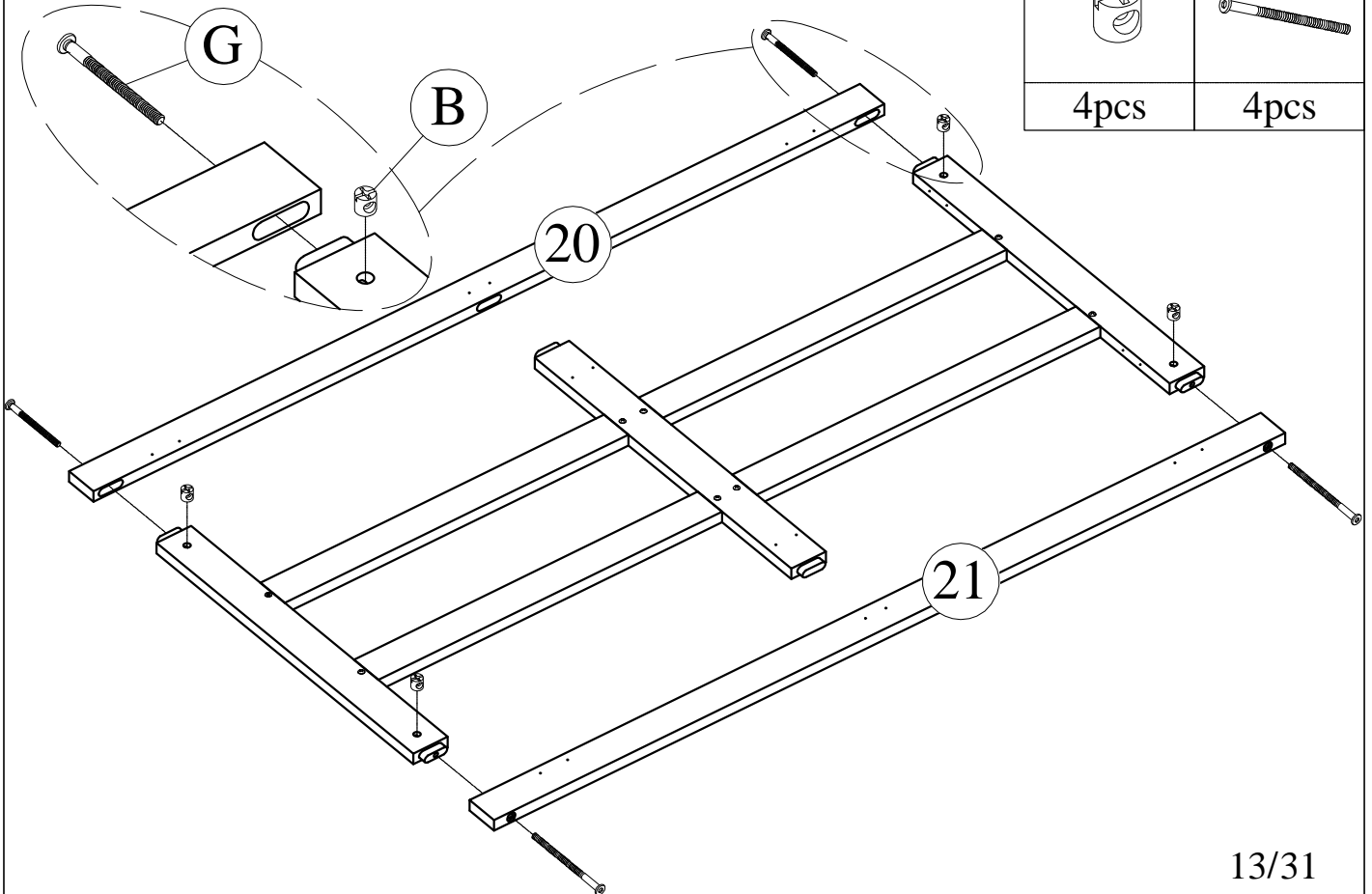
B		T	
	4pcs		4pcs



# STEP-11



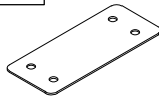
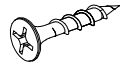
H

8pcs

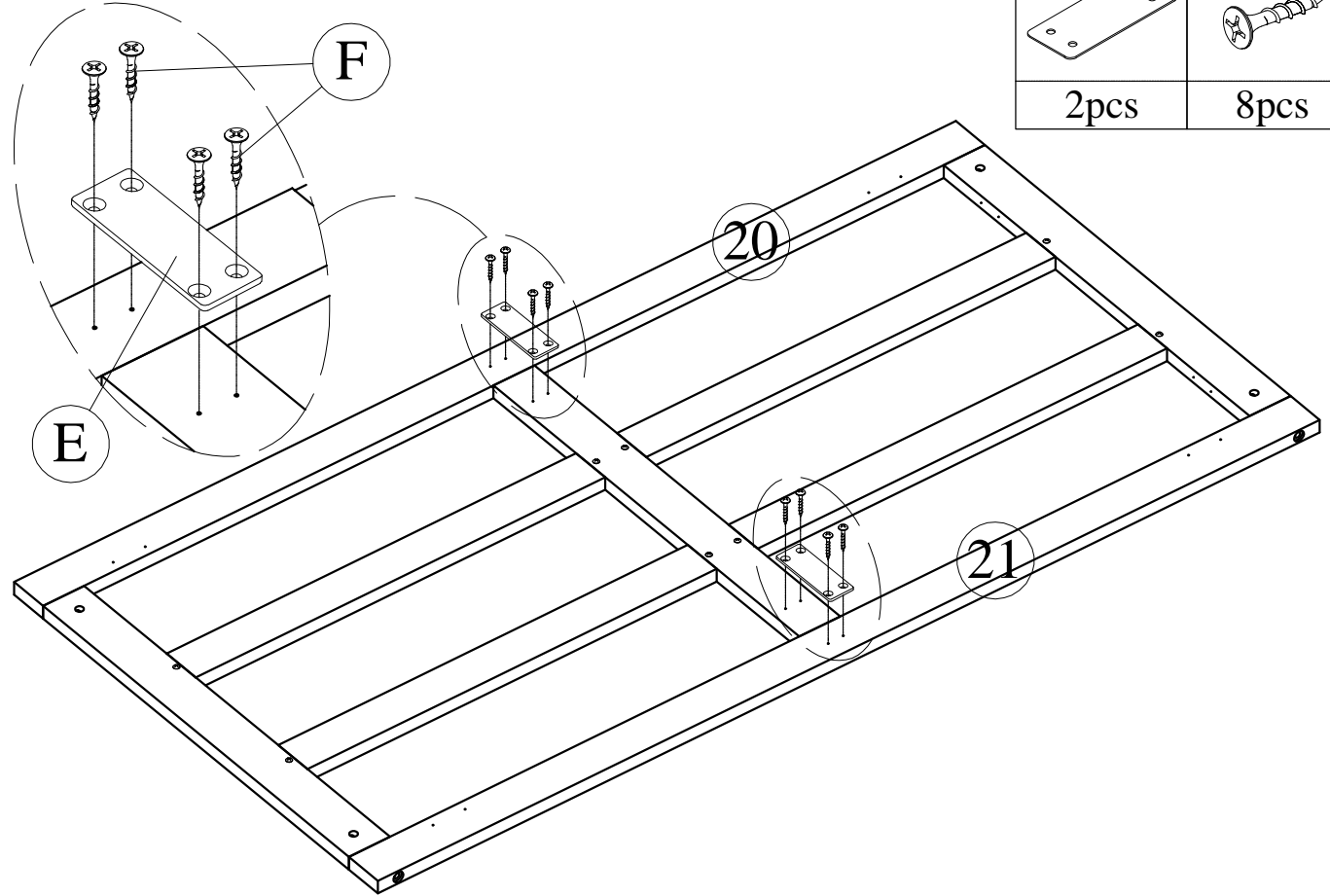
# STEP-12



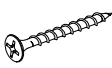
B	G
	
4pcs	4pcs

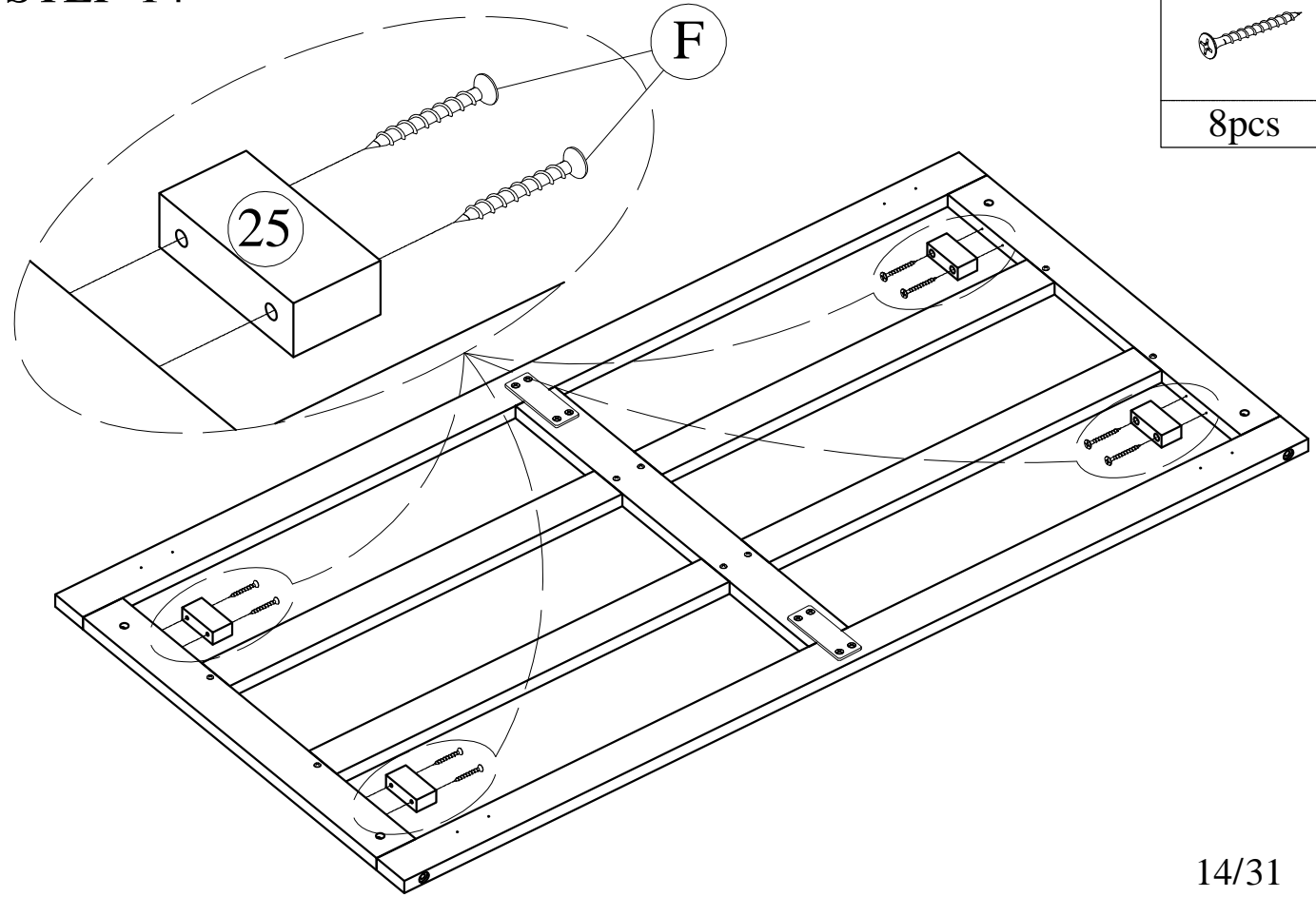
# STEP-13

E	F
	
2pcs	8pcs

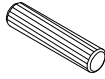




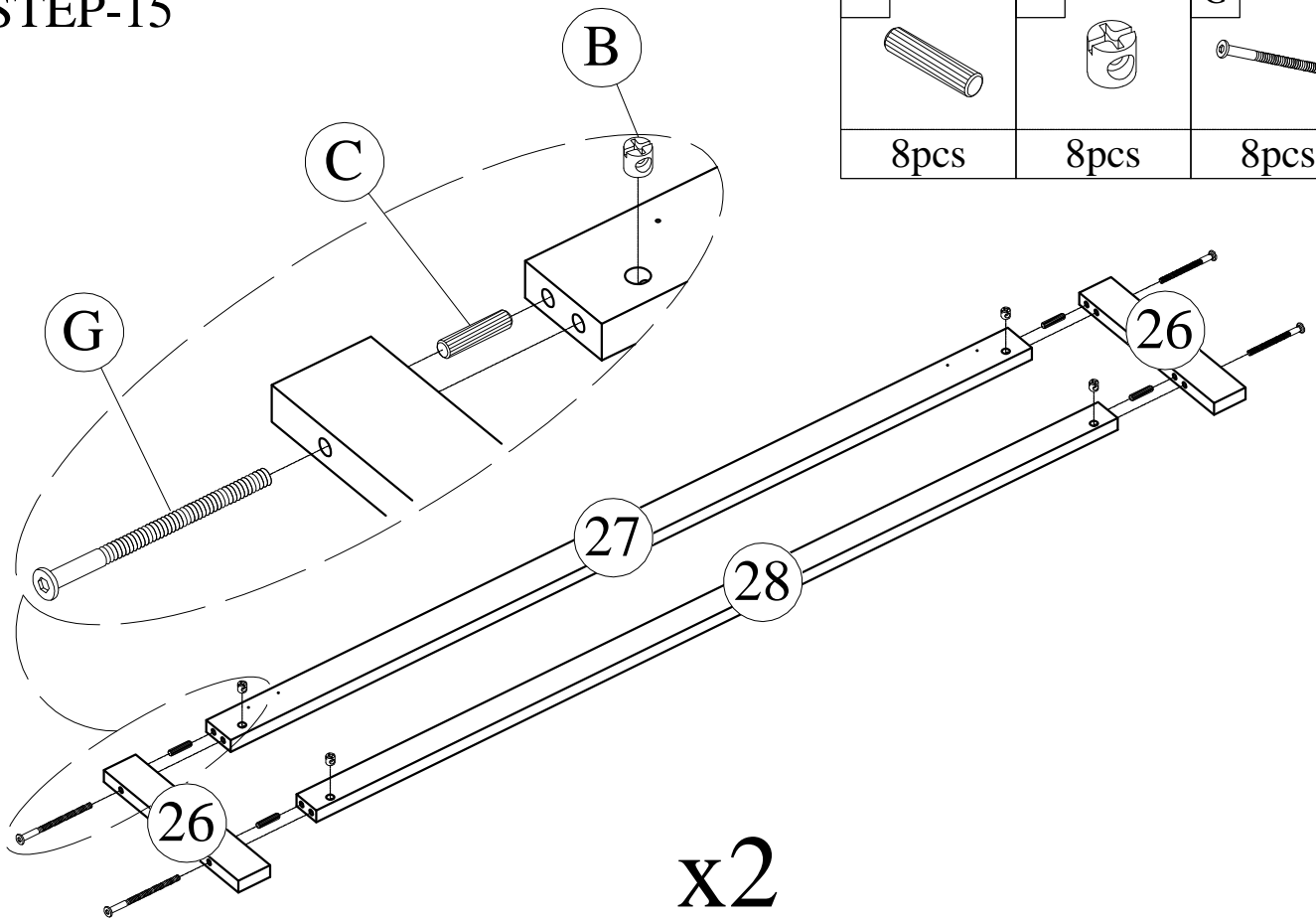
# STEP-14

D

8pcs

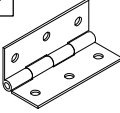
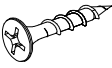


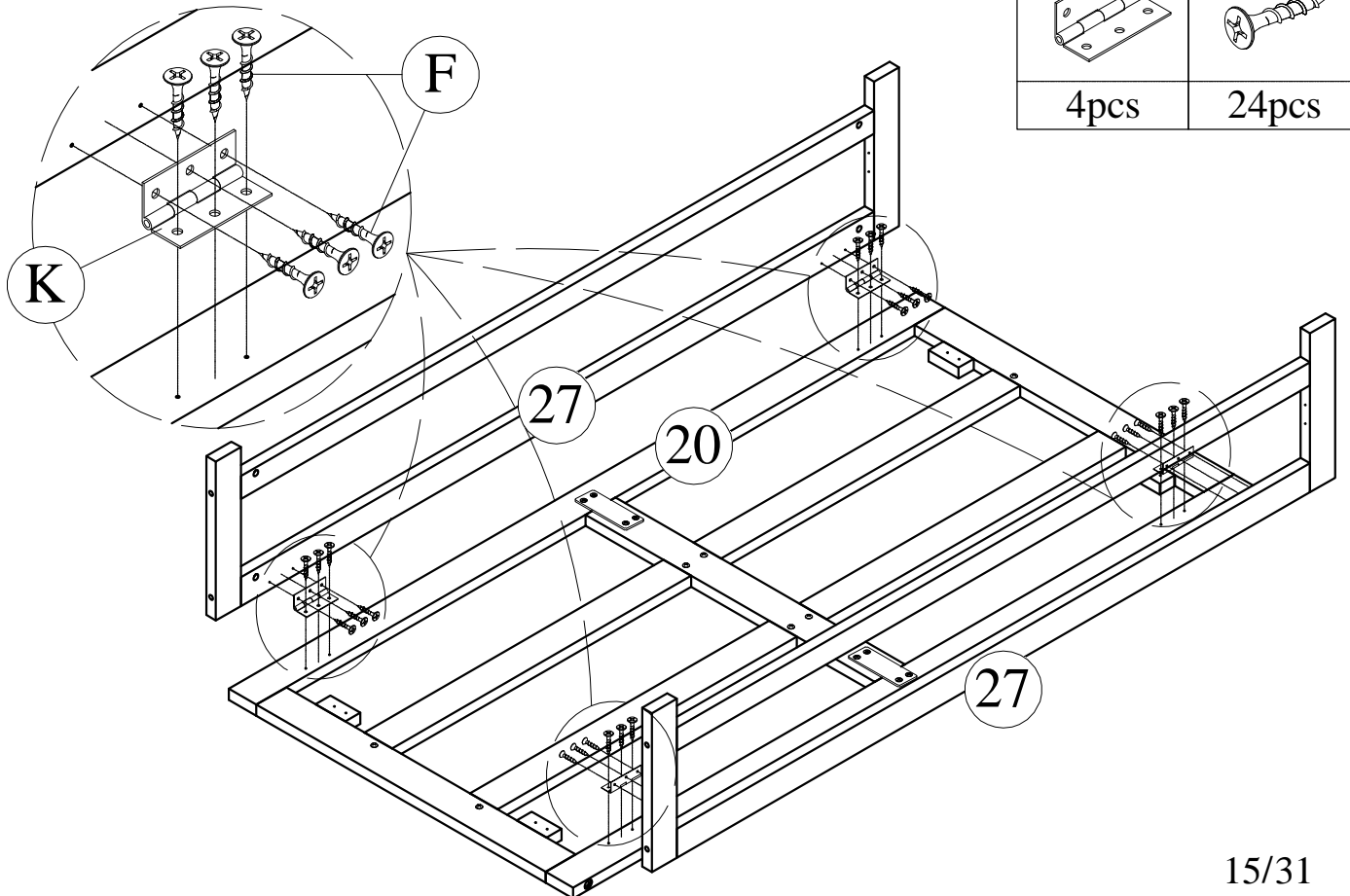
# STEP-15

C	B	G
		
8pcs	8pcs	8pcs

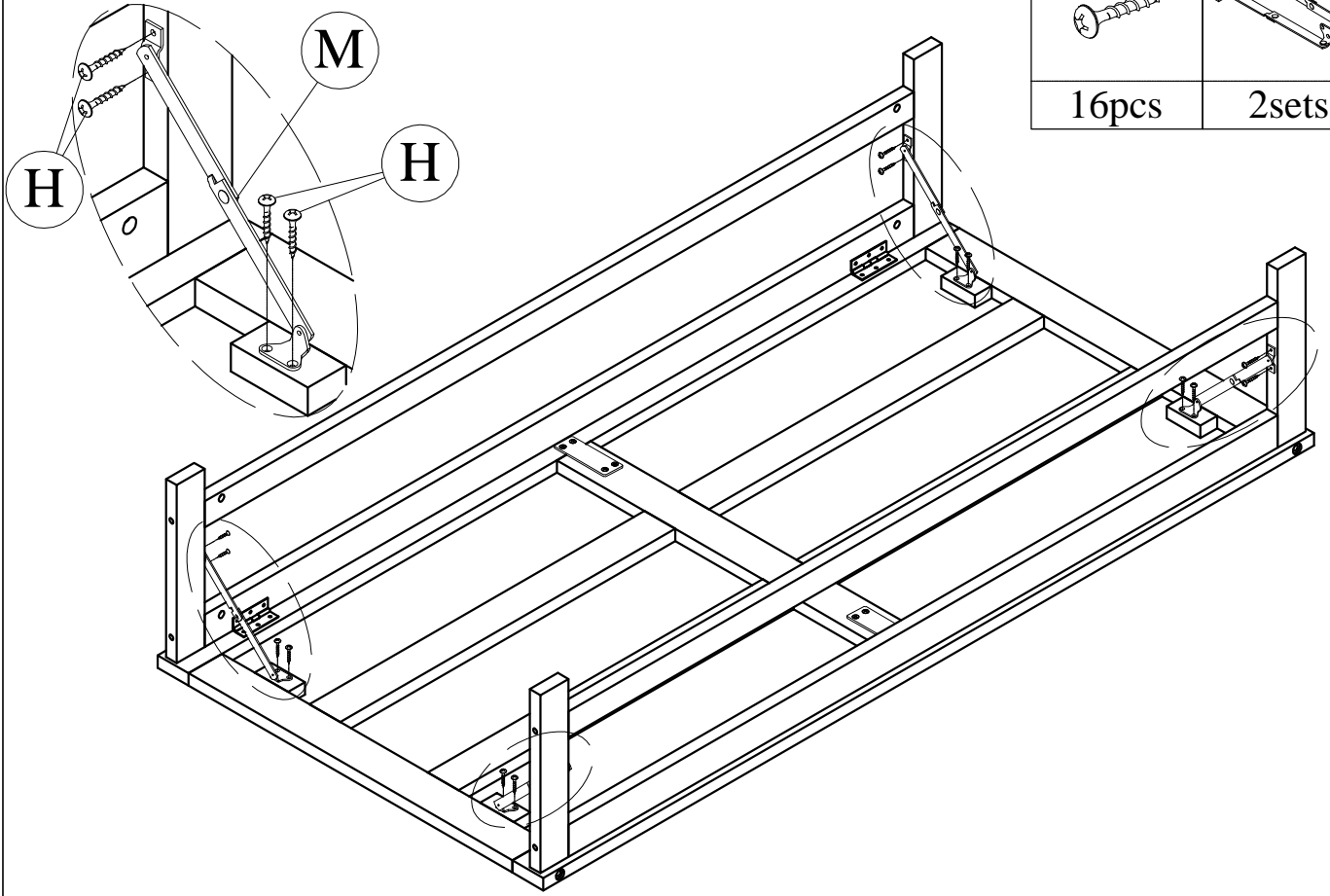


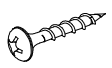
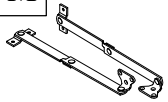
# STEP-16

K	F
	
4pcs	24pcs

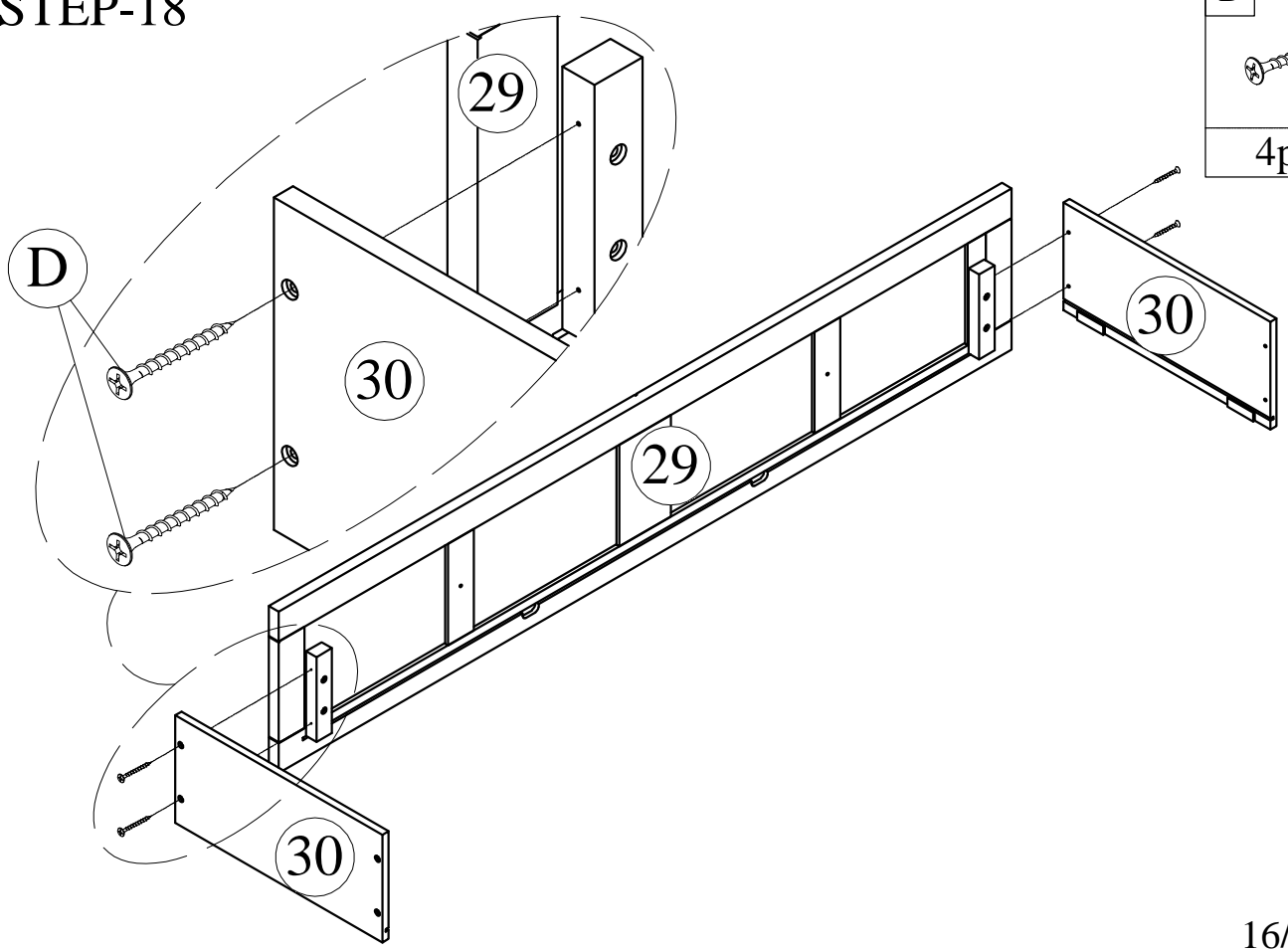



# STEP-17



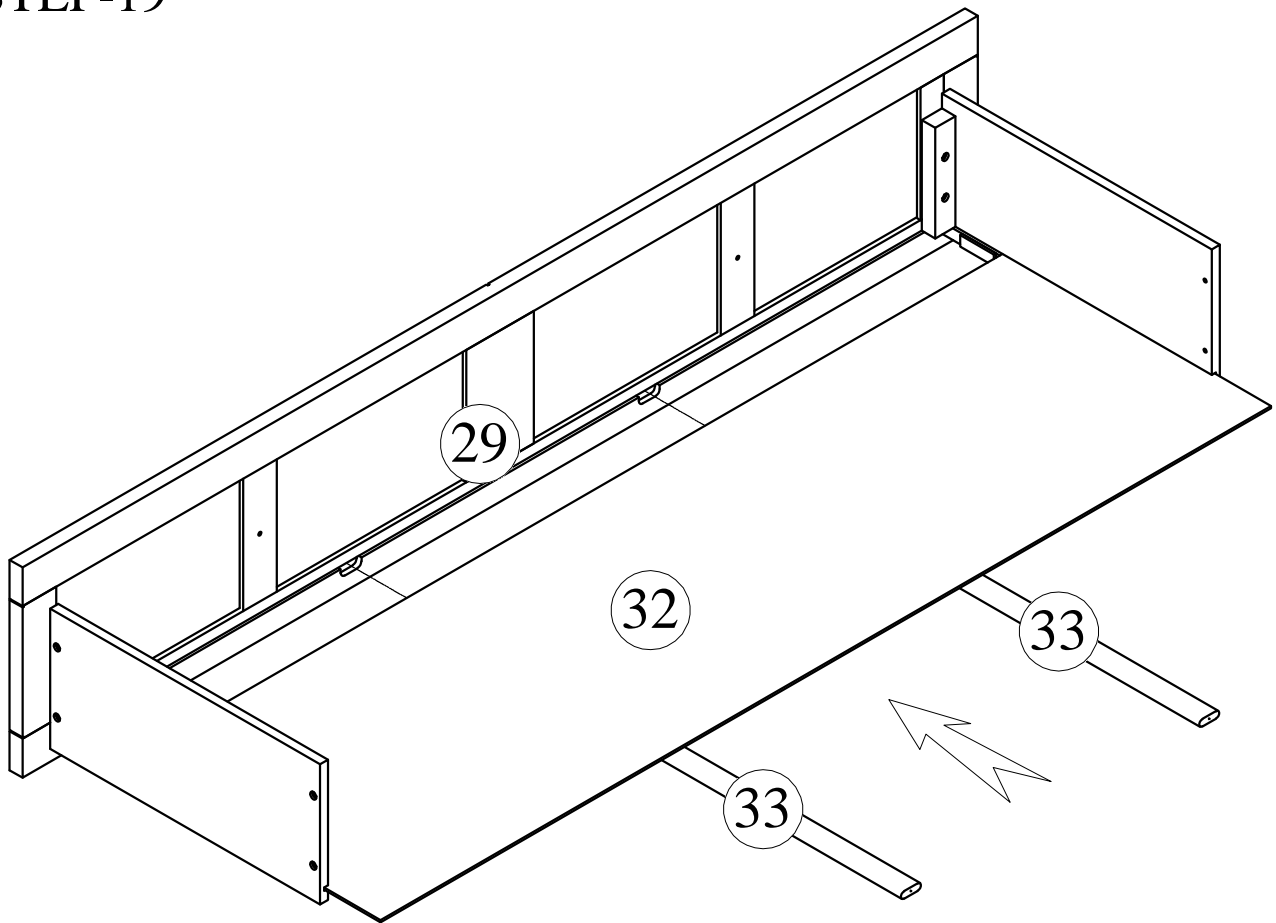
H	M
	
16pcs	2sets

# STEP-18

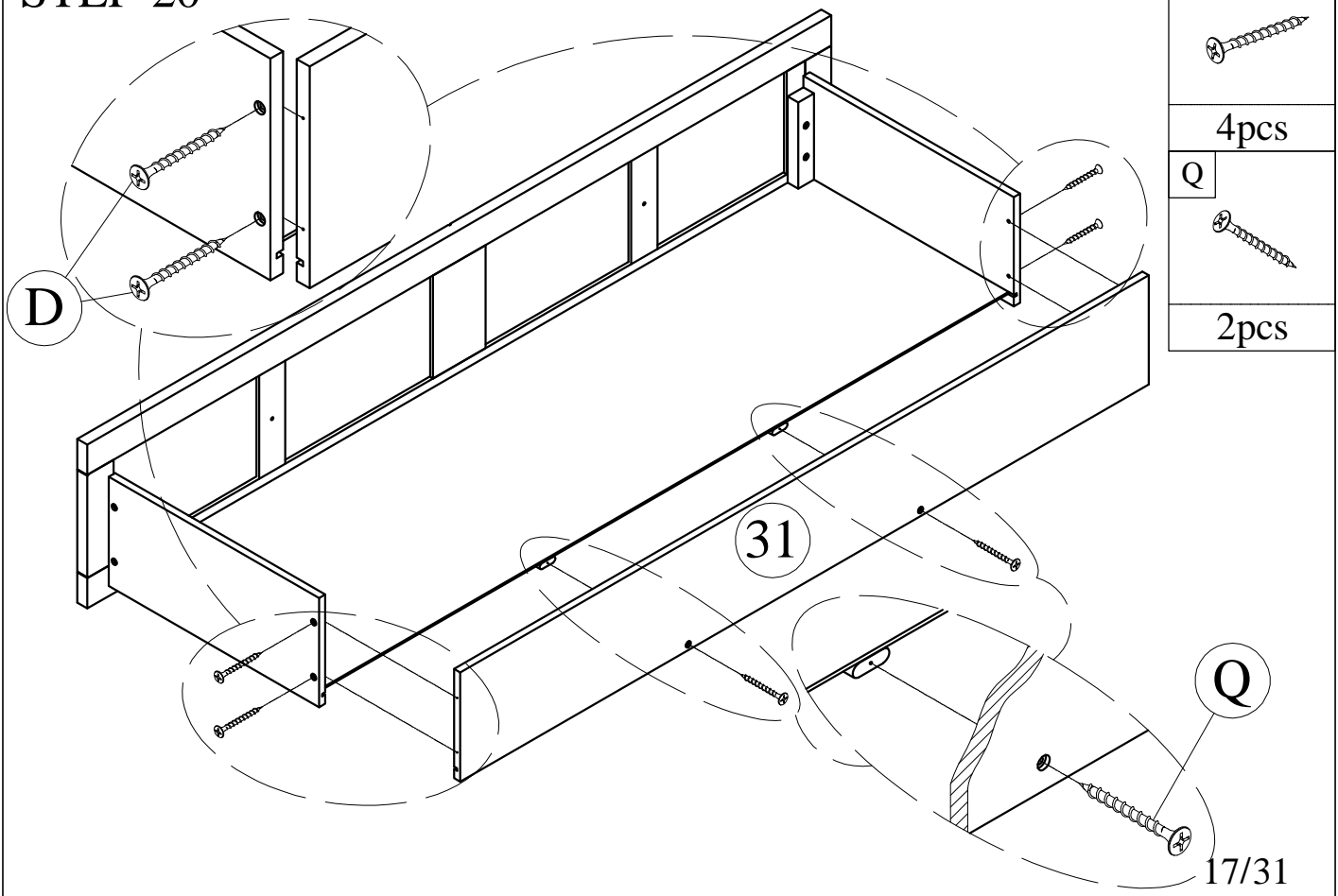


D

4pcs

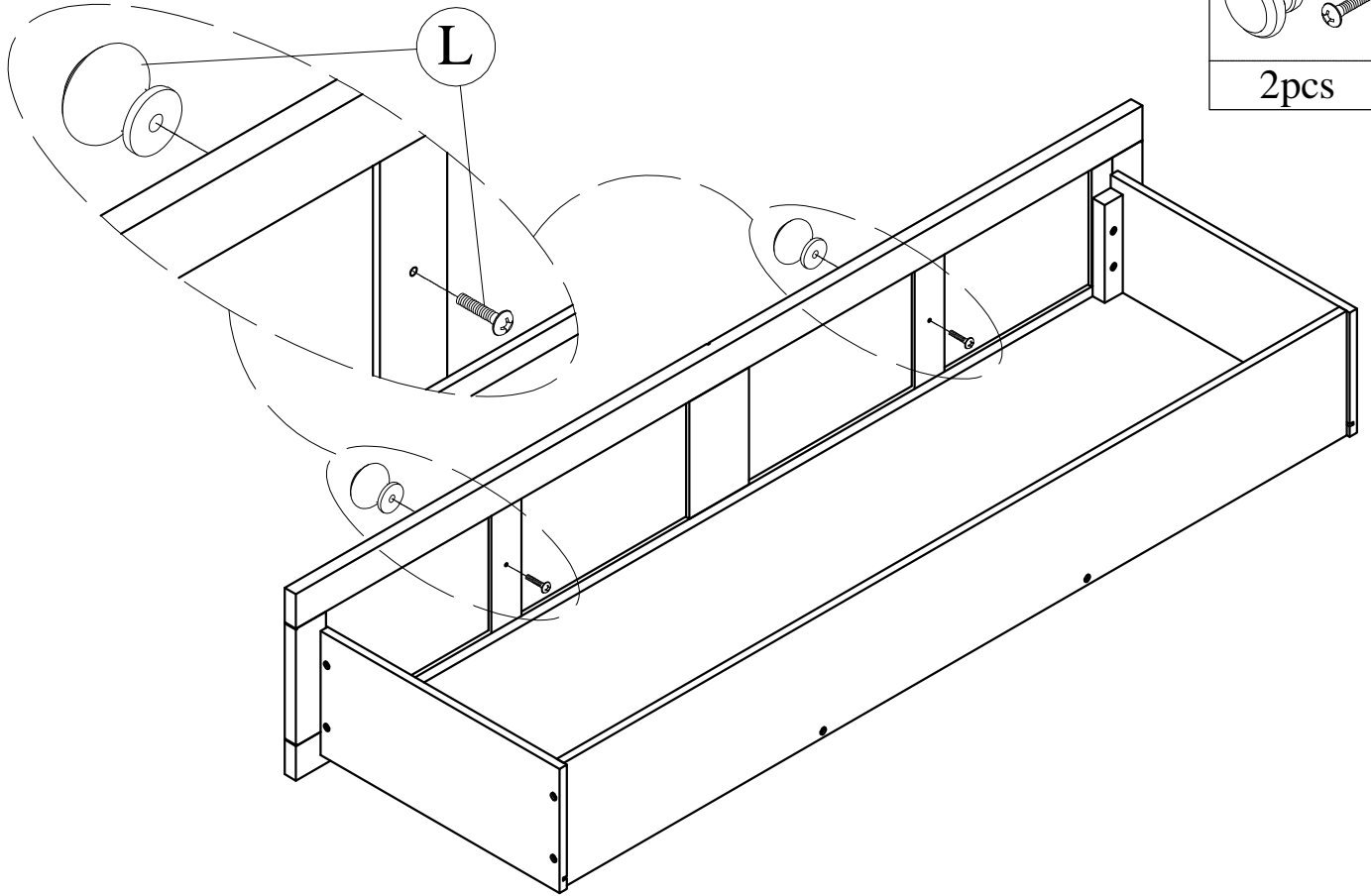
# STEP-19

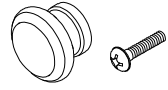


# STEP-20

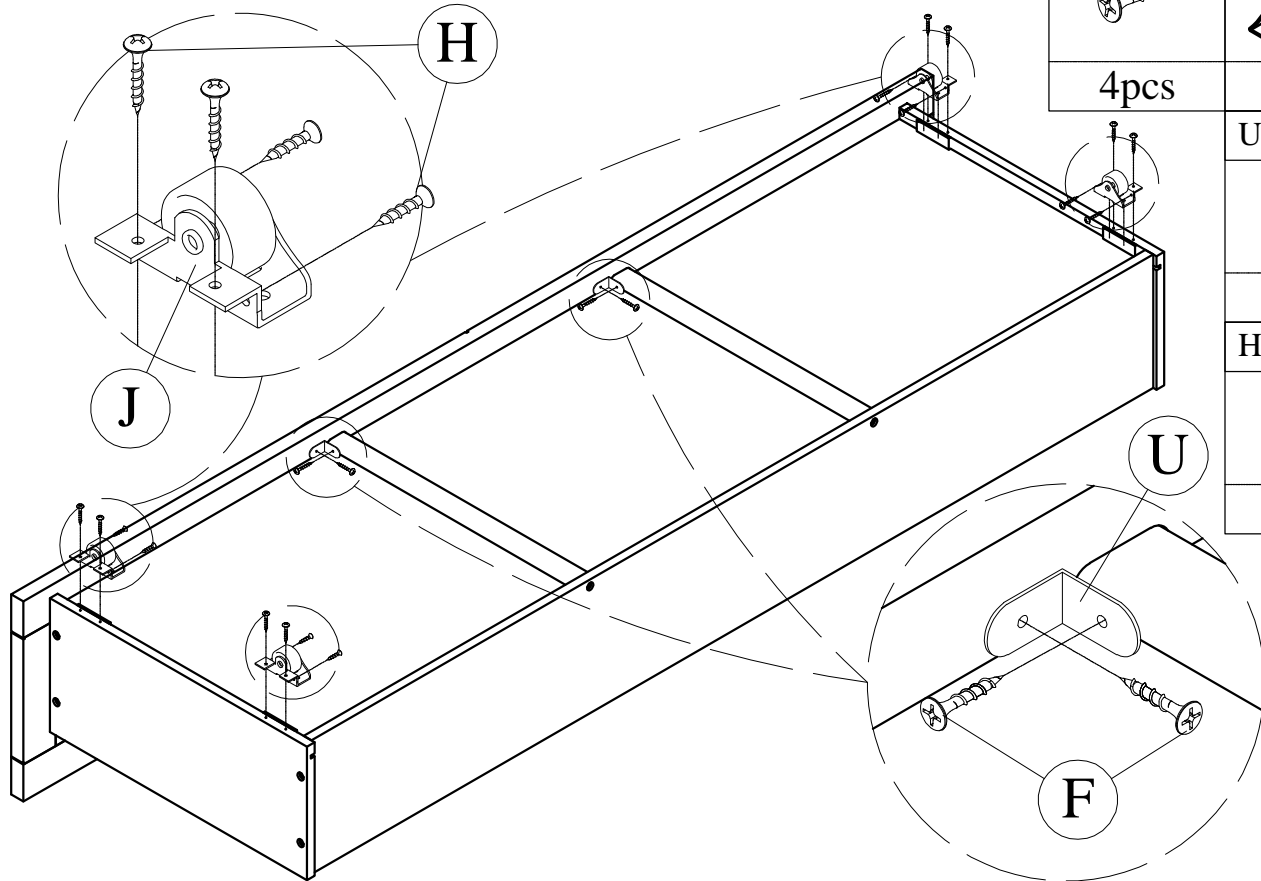


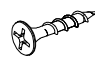
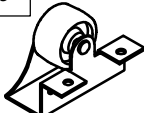
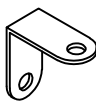
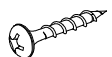
# STEP-21



L

2pcs

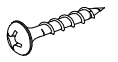
# STEP-22



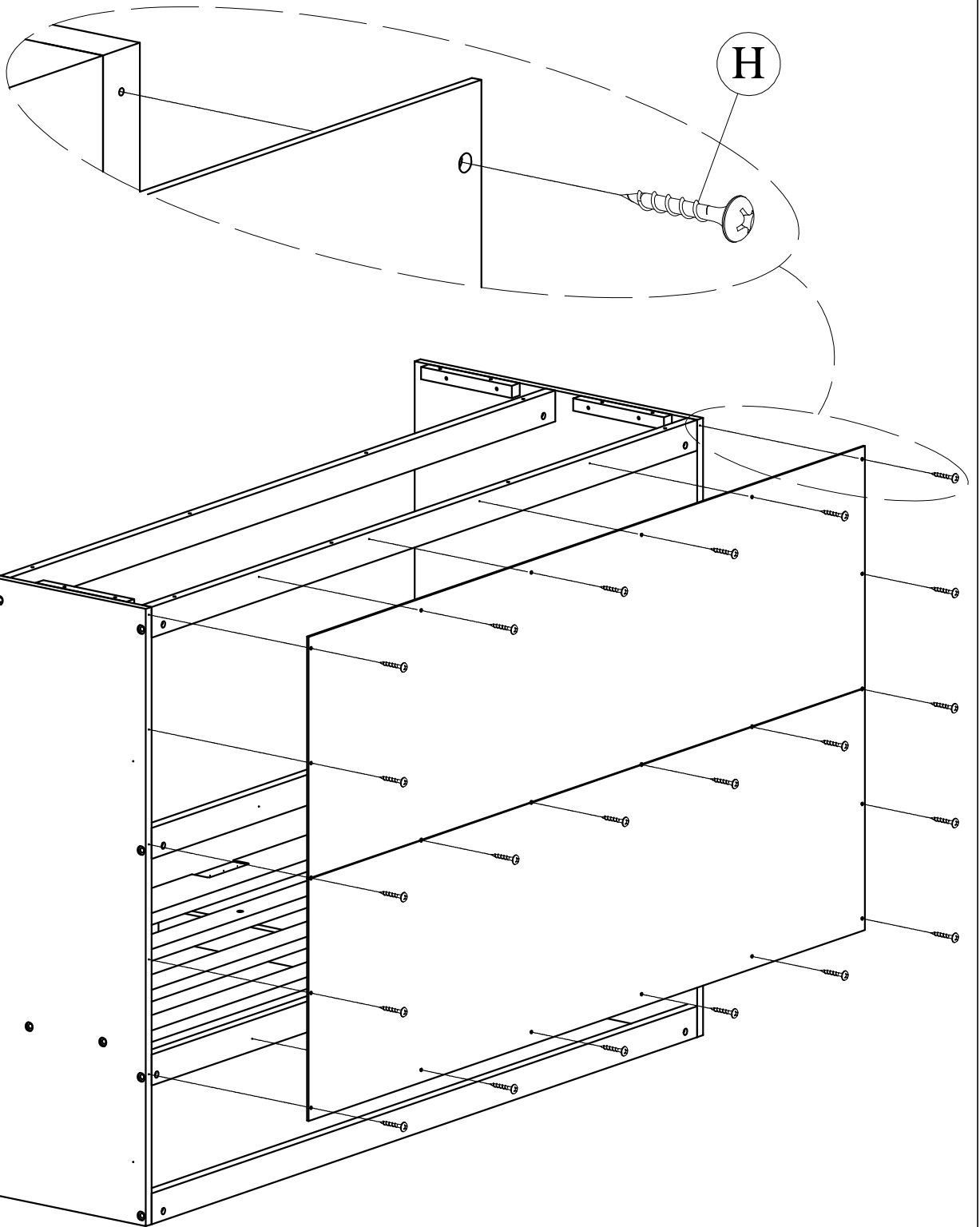
F	J
	
4pcs	4pcs
	U
	
	2pcs
	H
	
	16pcs

# STEP-23

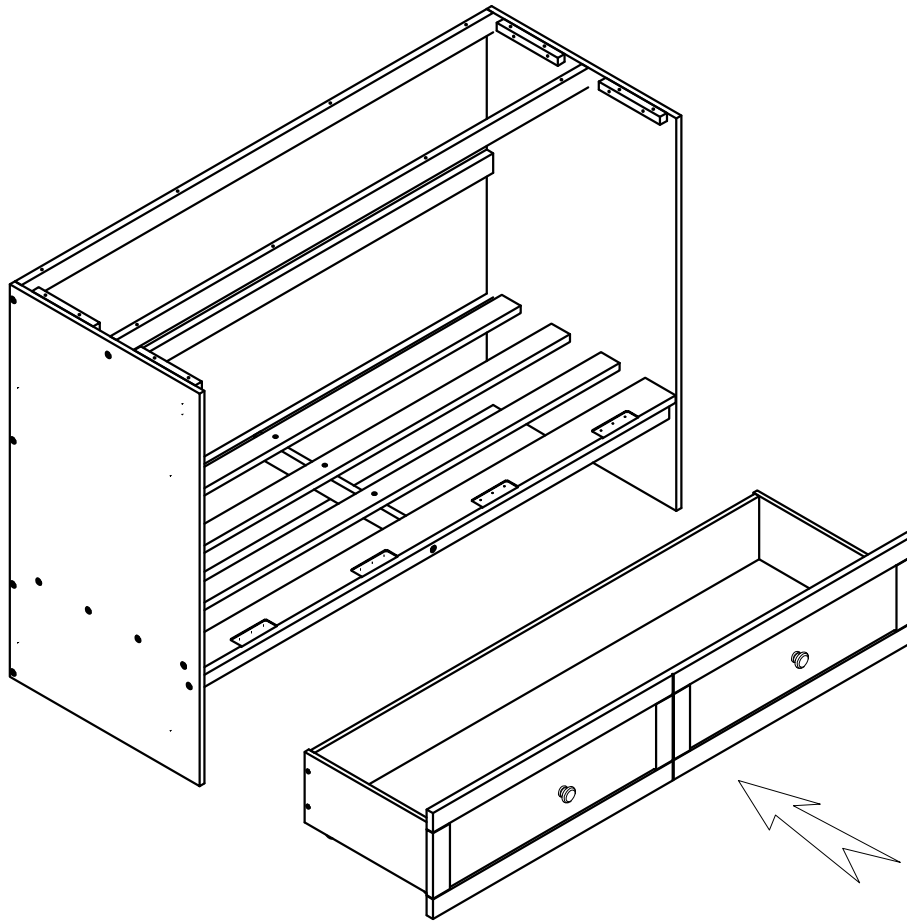
H



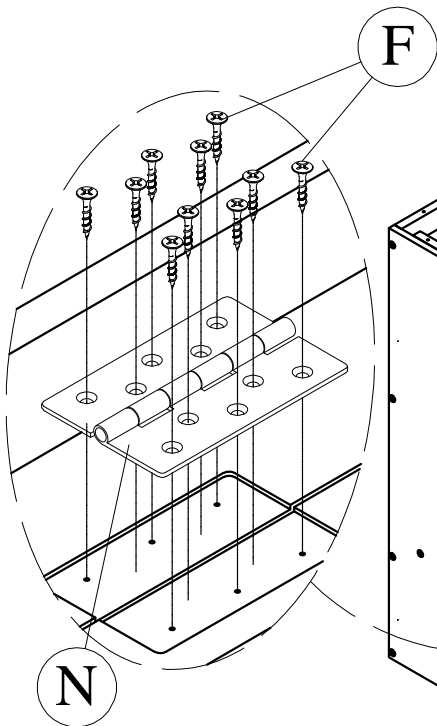
22pcs

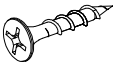
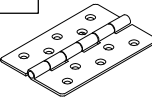


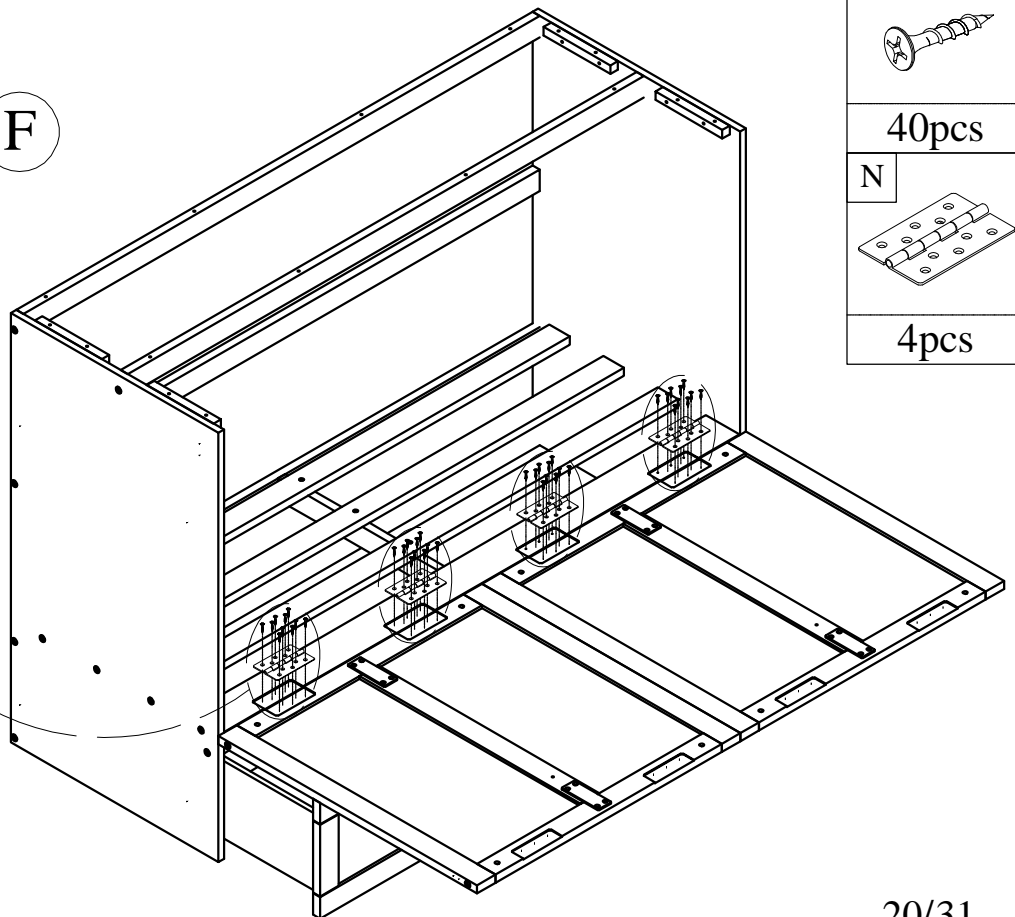
# STEP-24



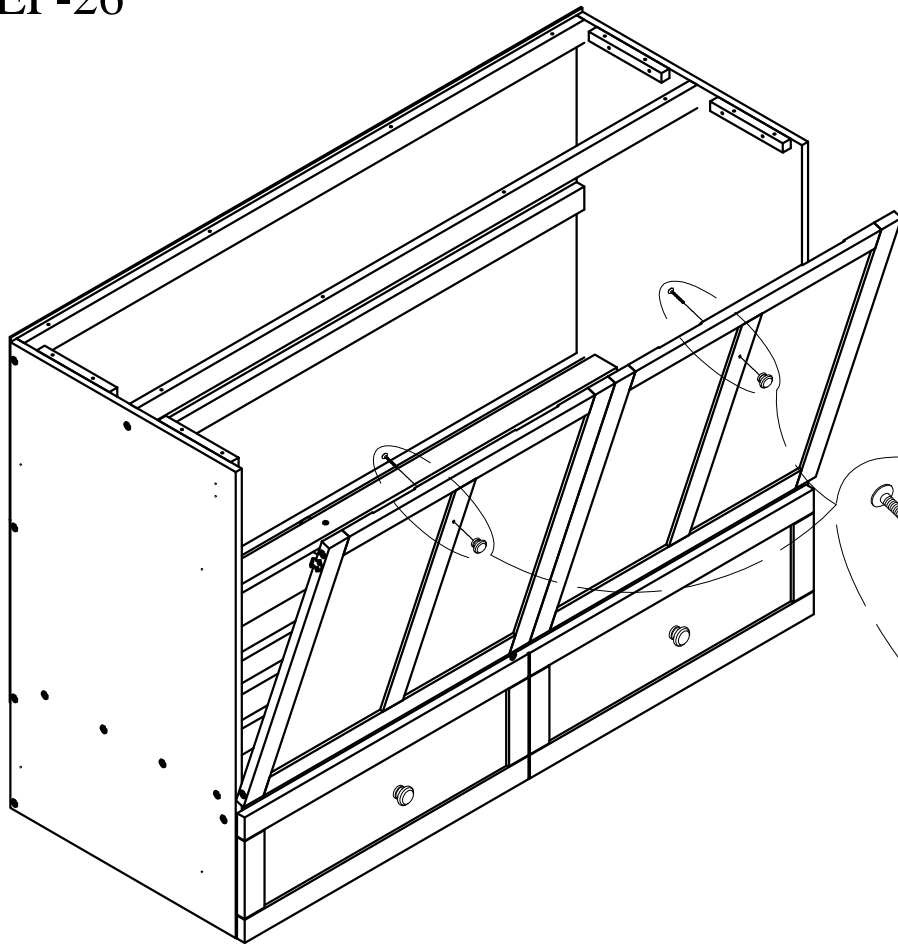
# STEP-25

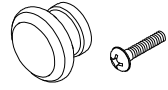


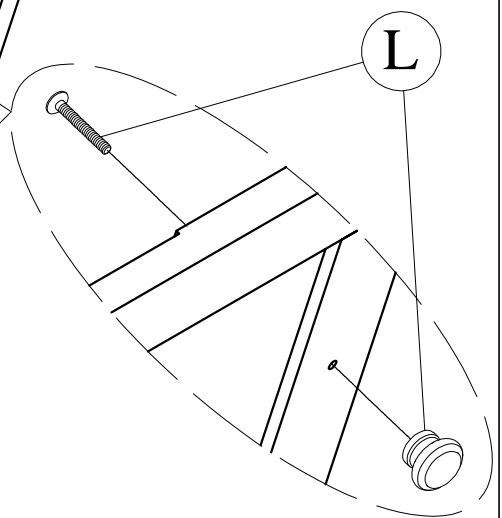
- F 
- 40pcs
- N 
- 4pcs



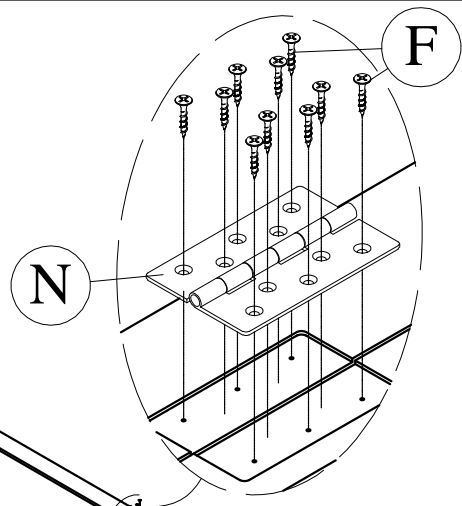
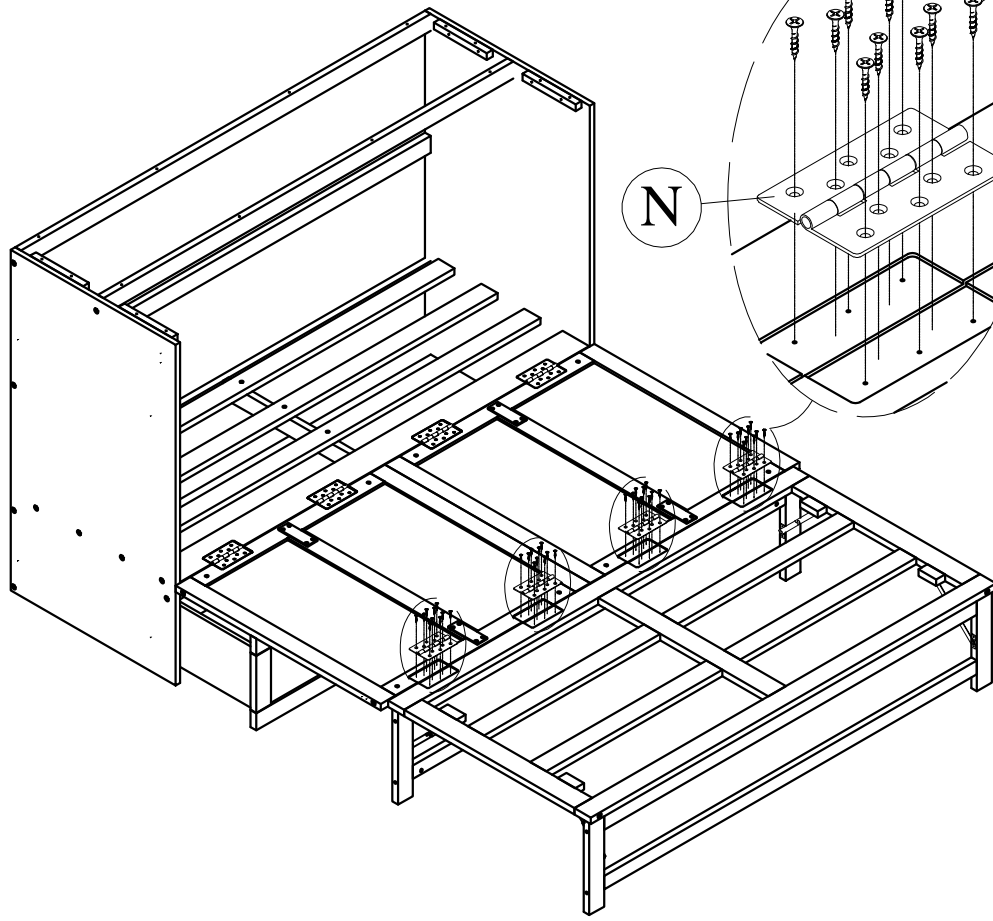
# STEP-26

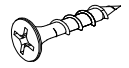
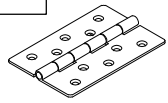


L

2pcs


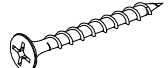


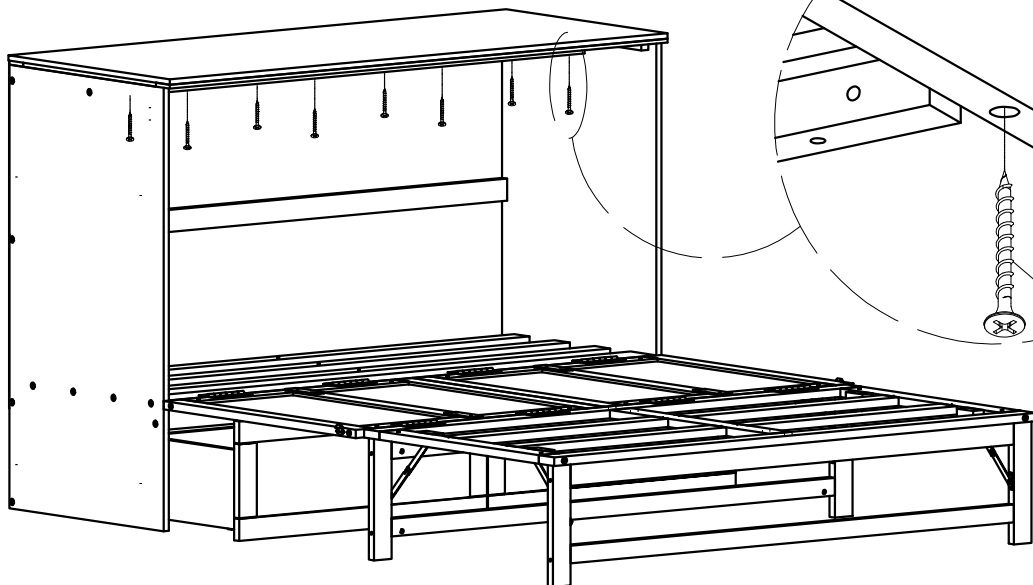
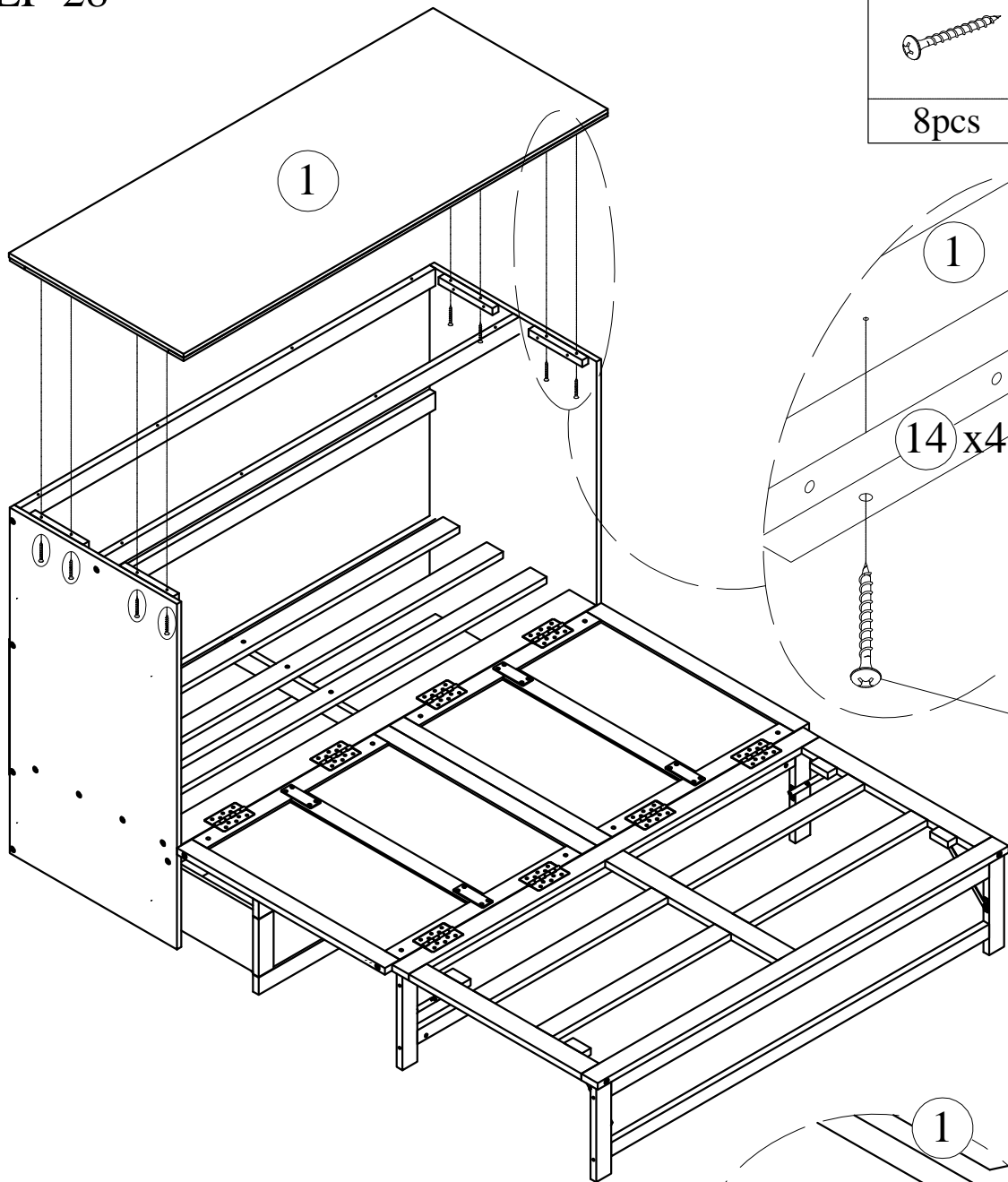
# STEP-27



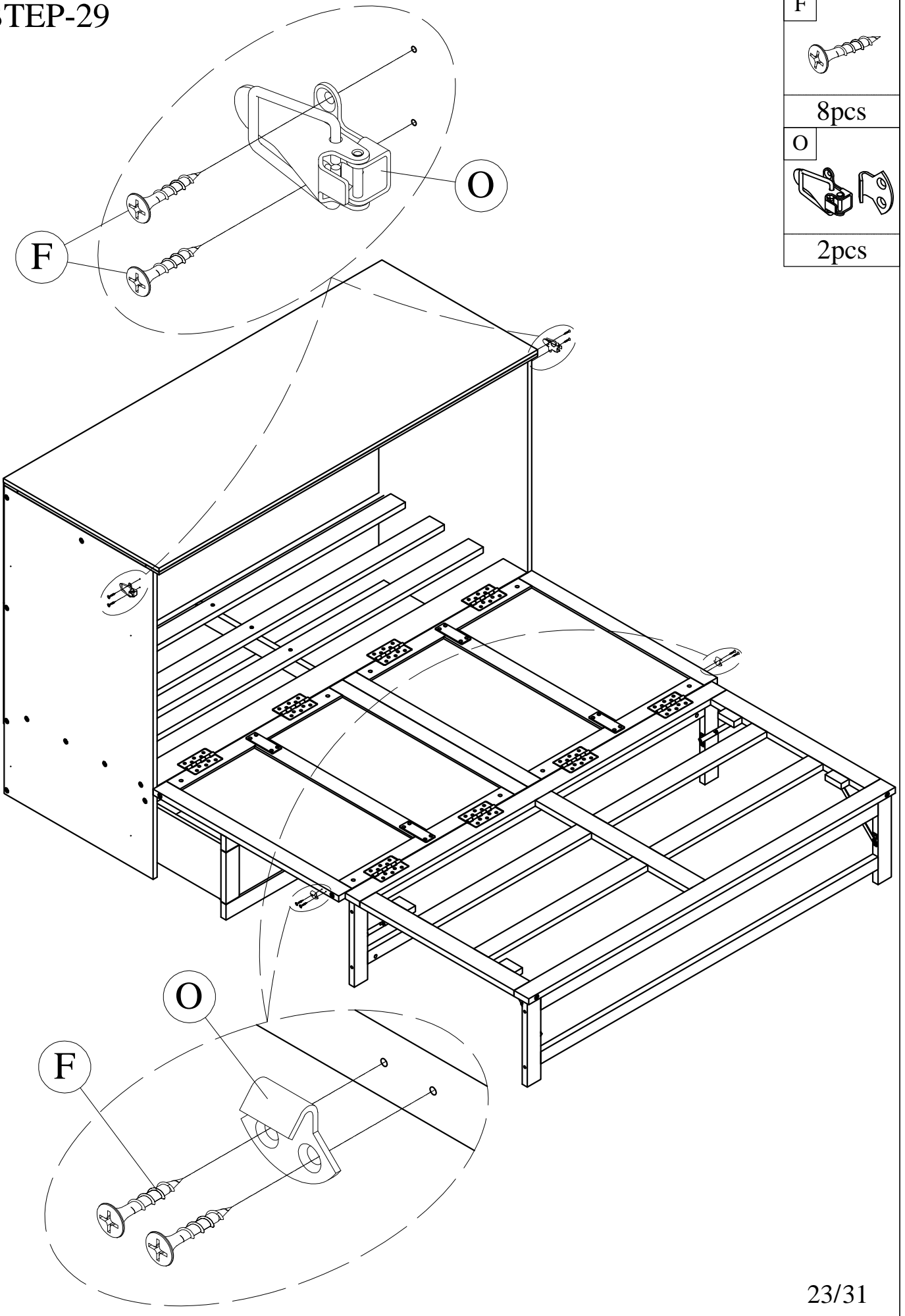
F

40pcs
N

4pcs

# STEP-28

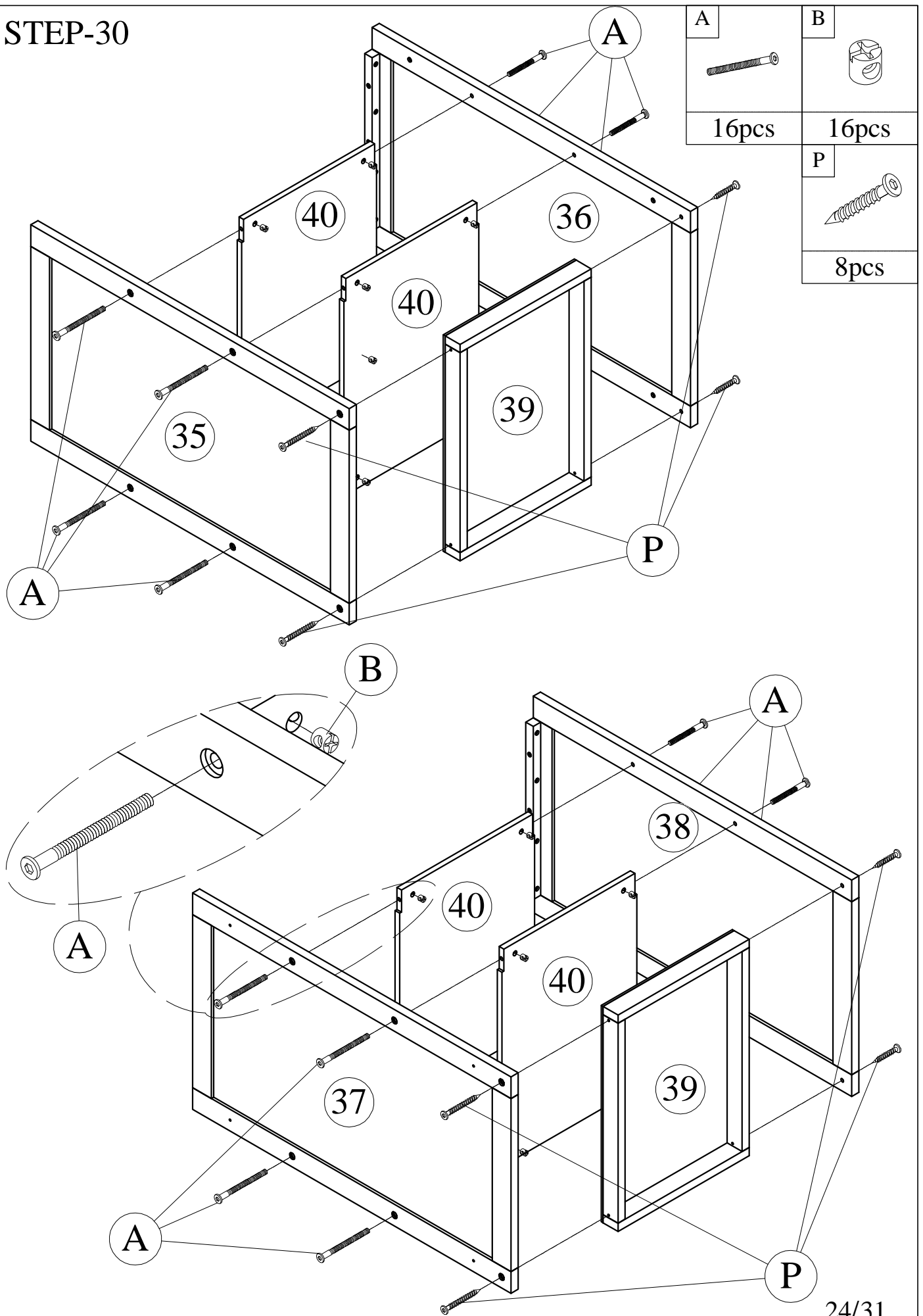
I	S
	
8pcs	8pcs



# STEP-29



# STEP-30

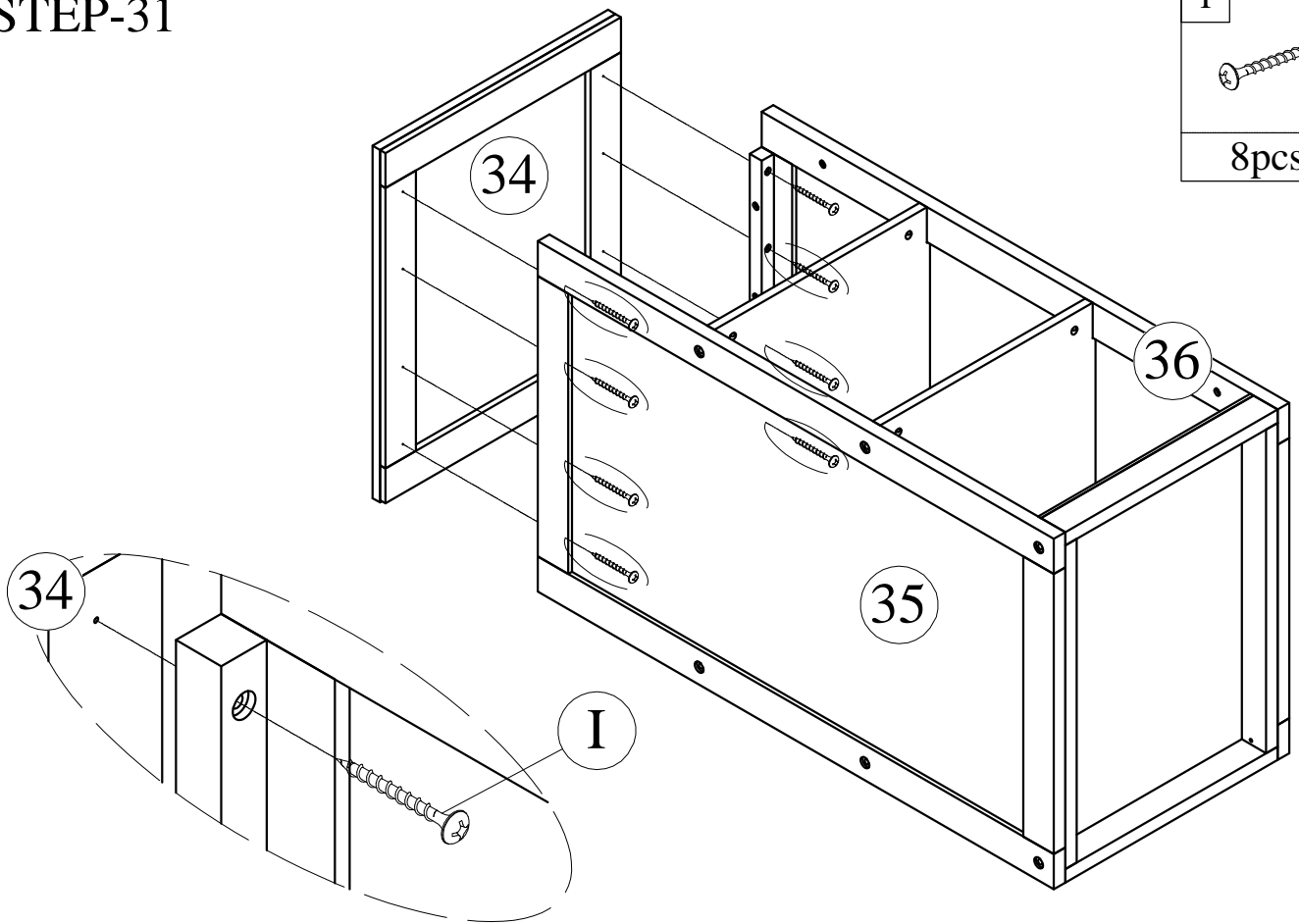


# STEP-31

I



8pcs

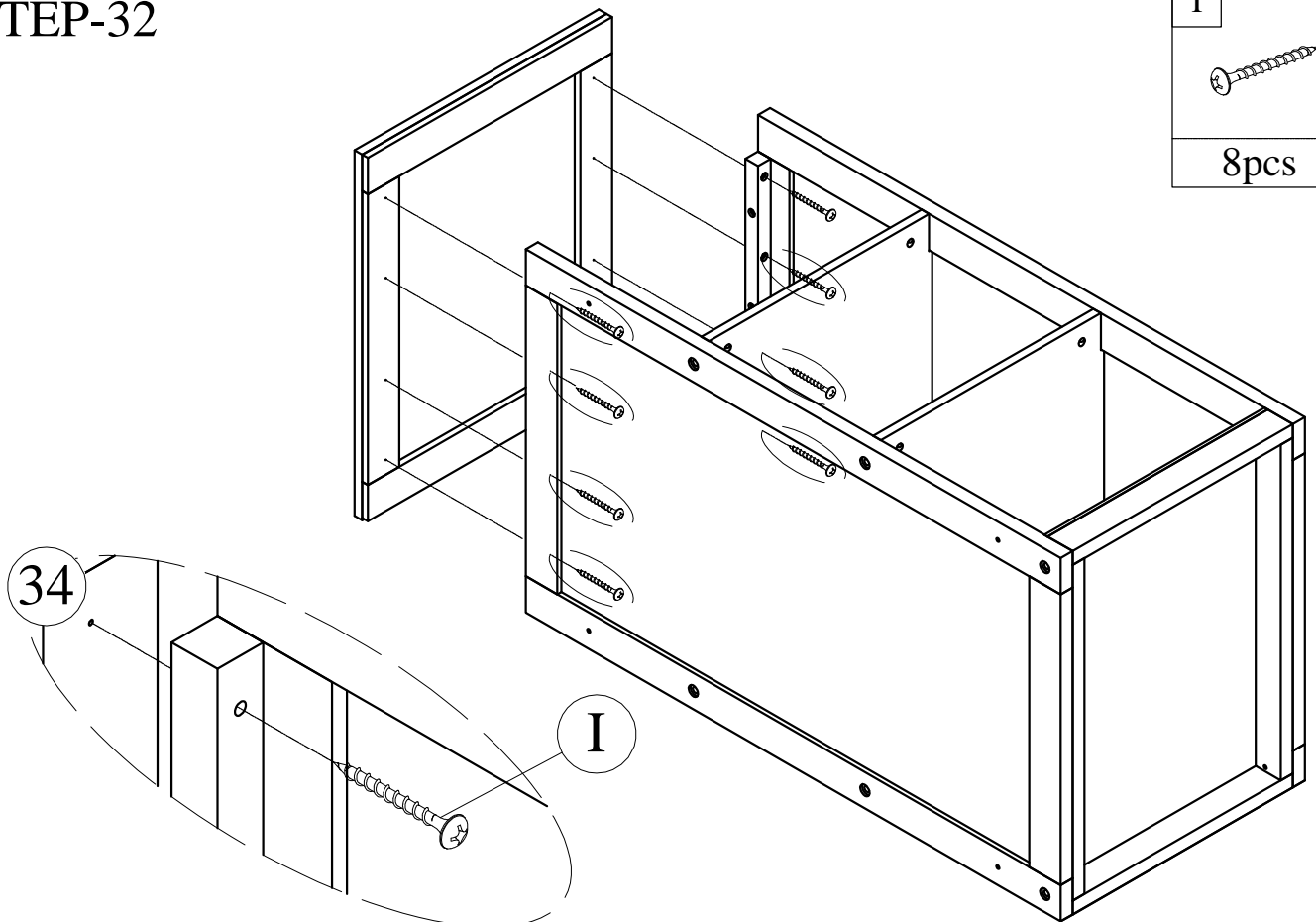


# STEP-32

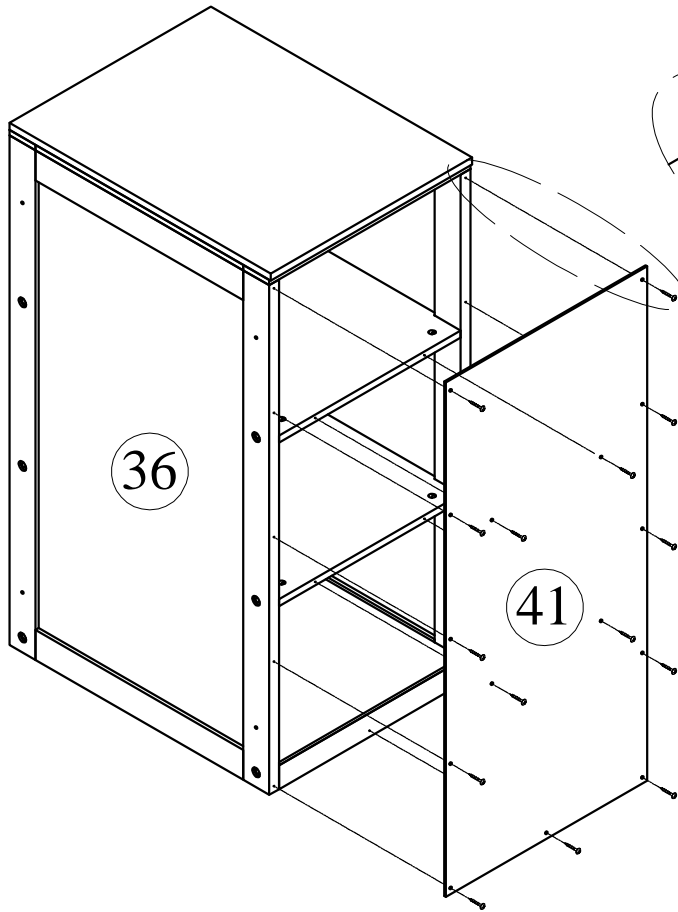
I



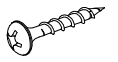
8pcs



# STEP-33



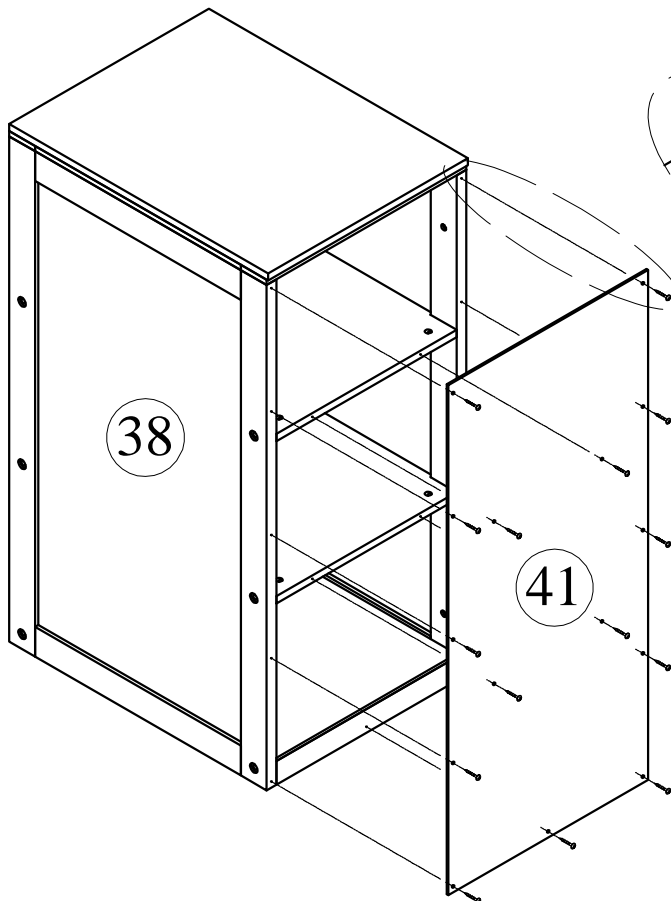
H



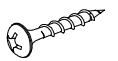
15pcs

H

# STEP-34



H

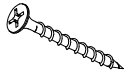


15pcs

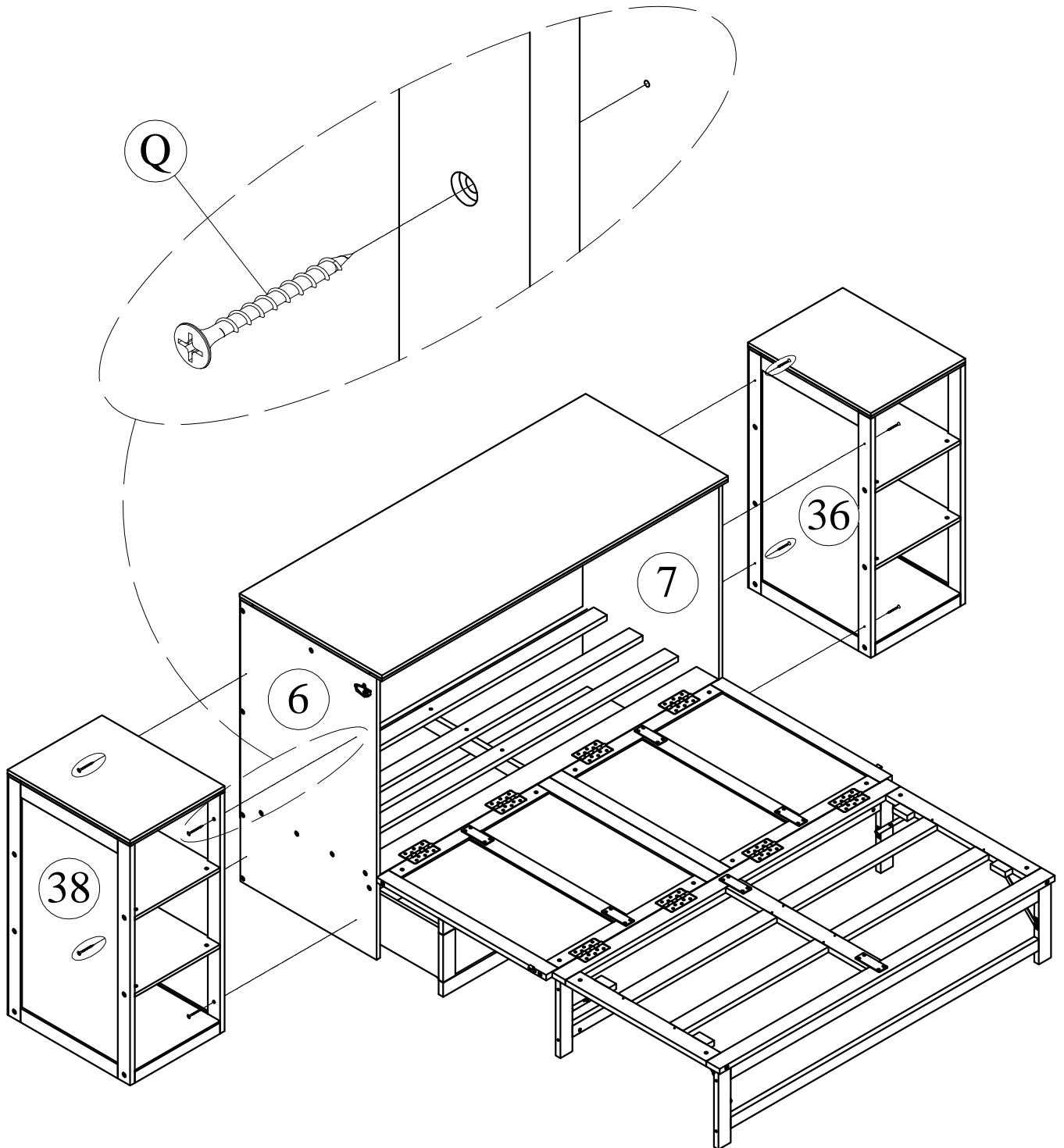
H

# STEP-35

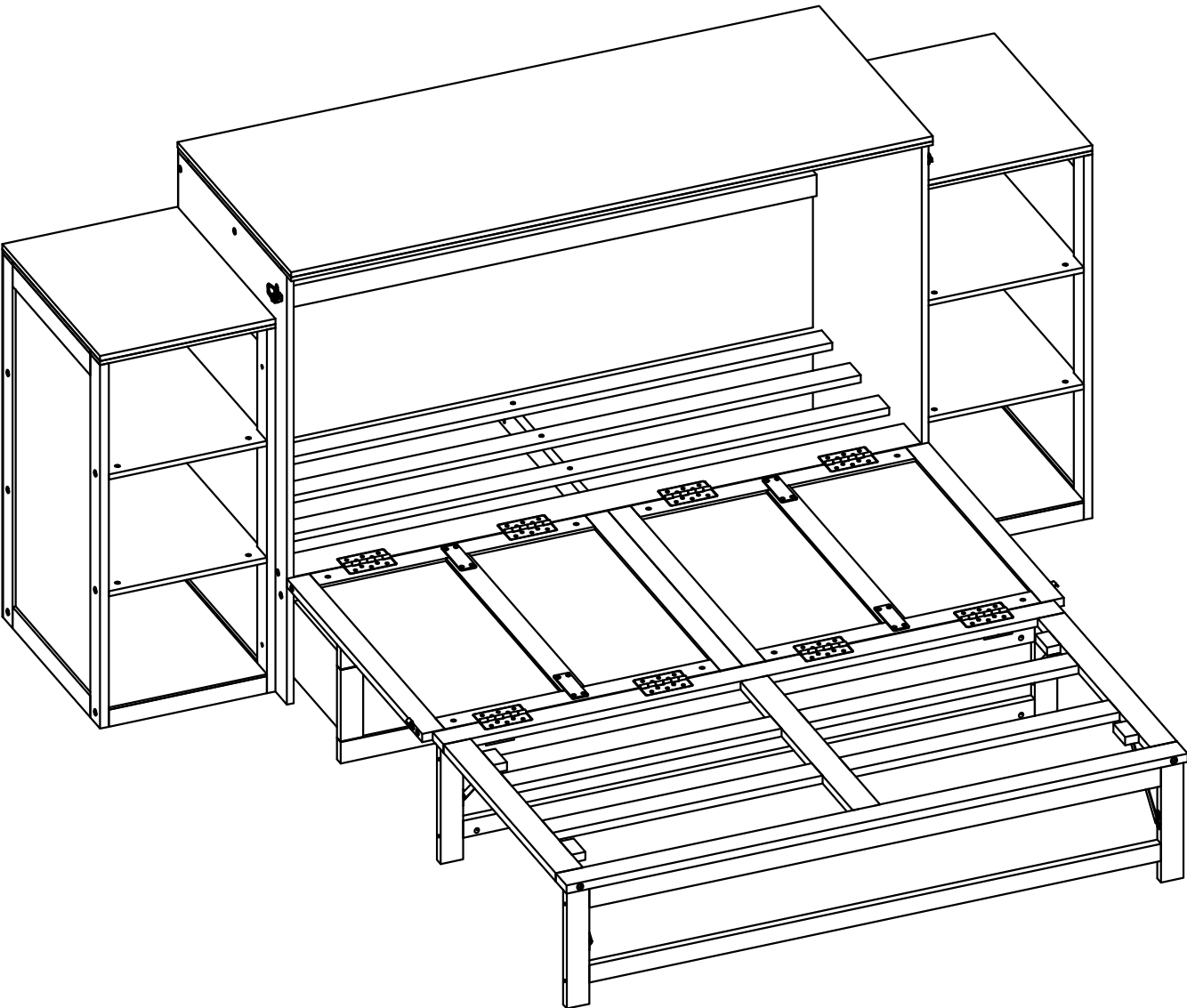
Q



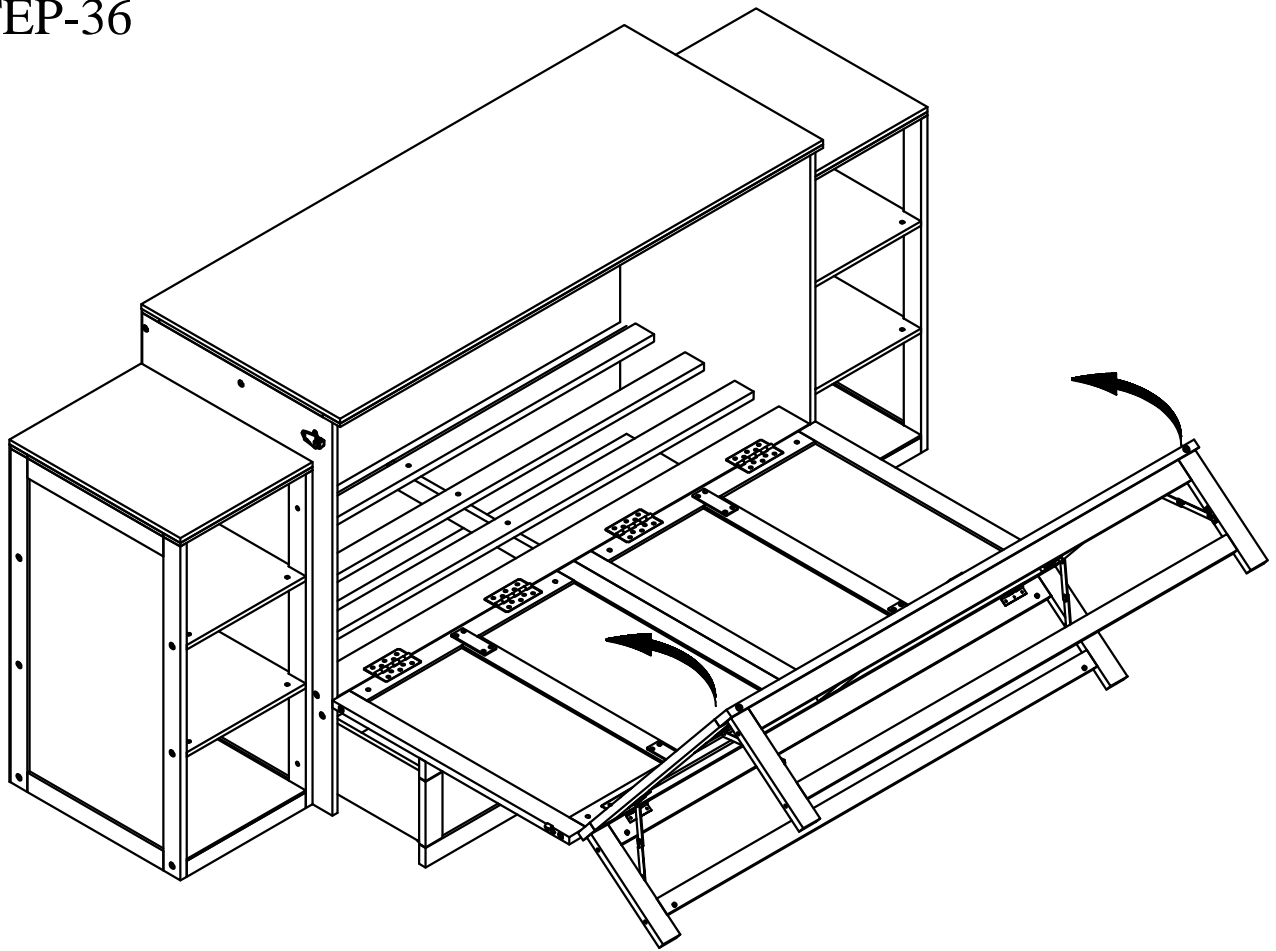
8pcs



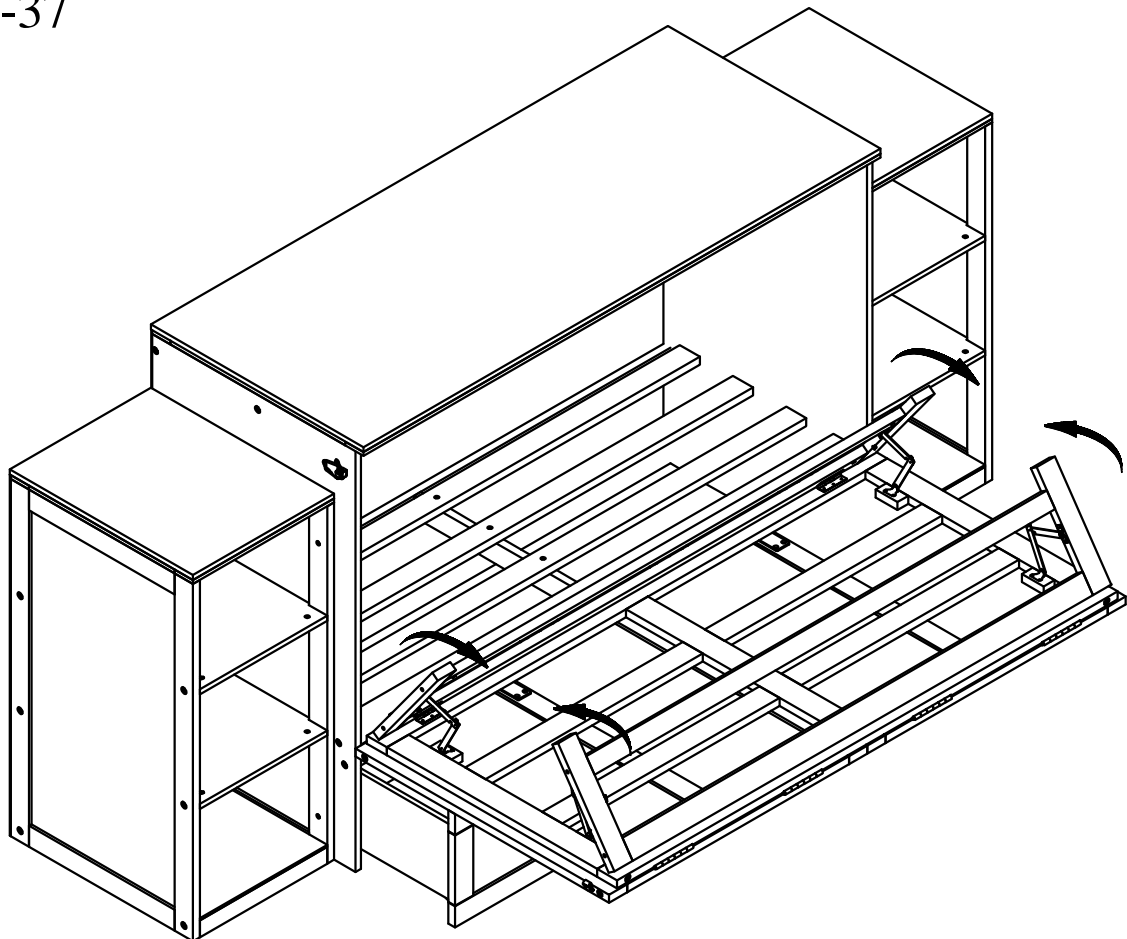
FINISH  
OPTION 1



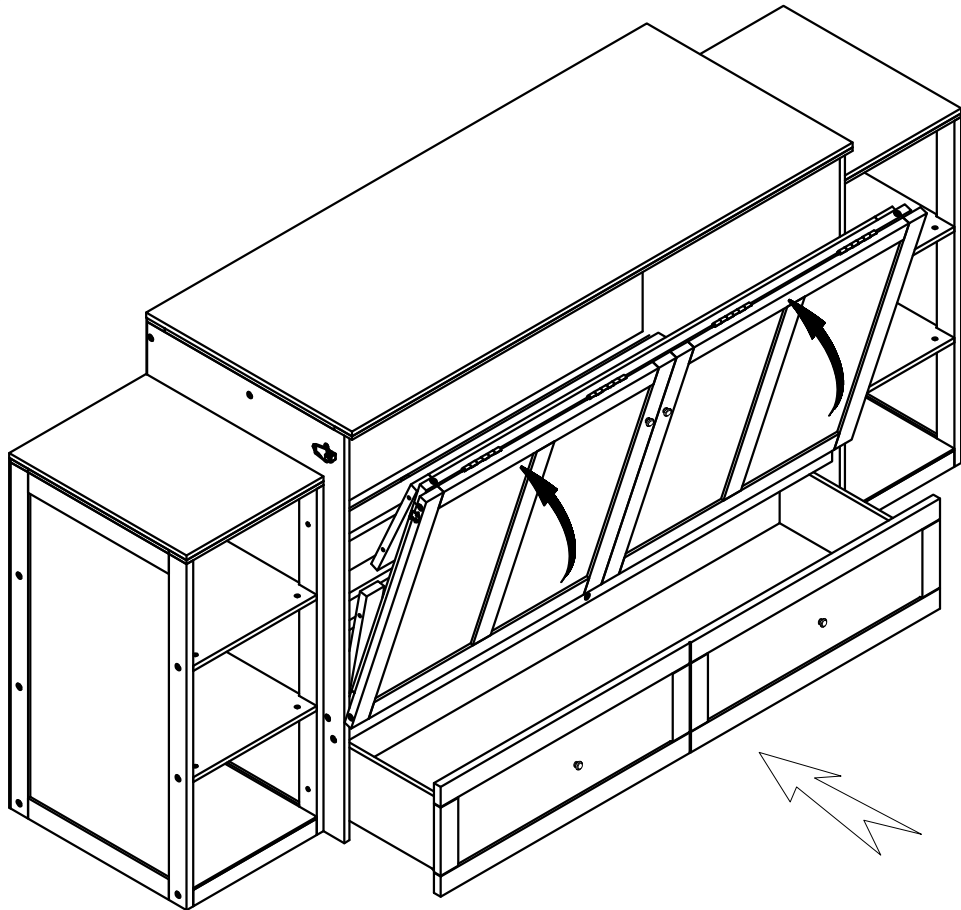
# STEP-36



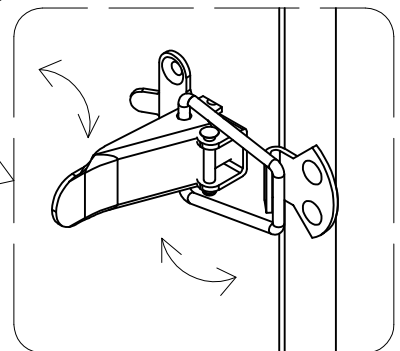
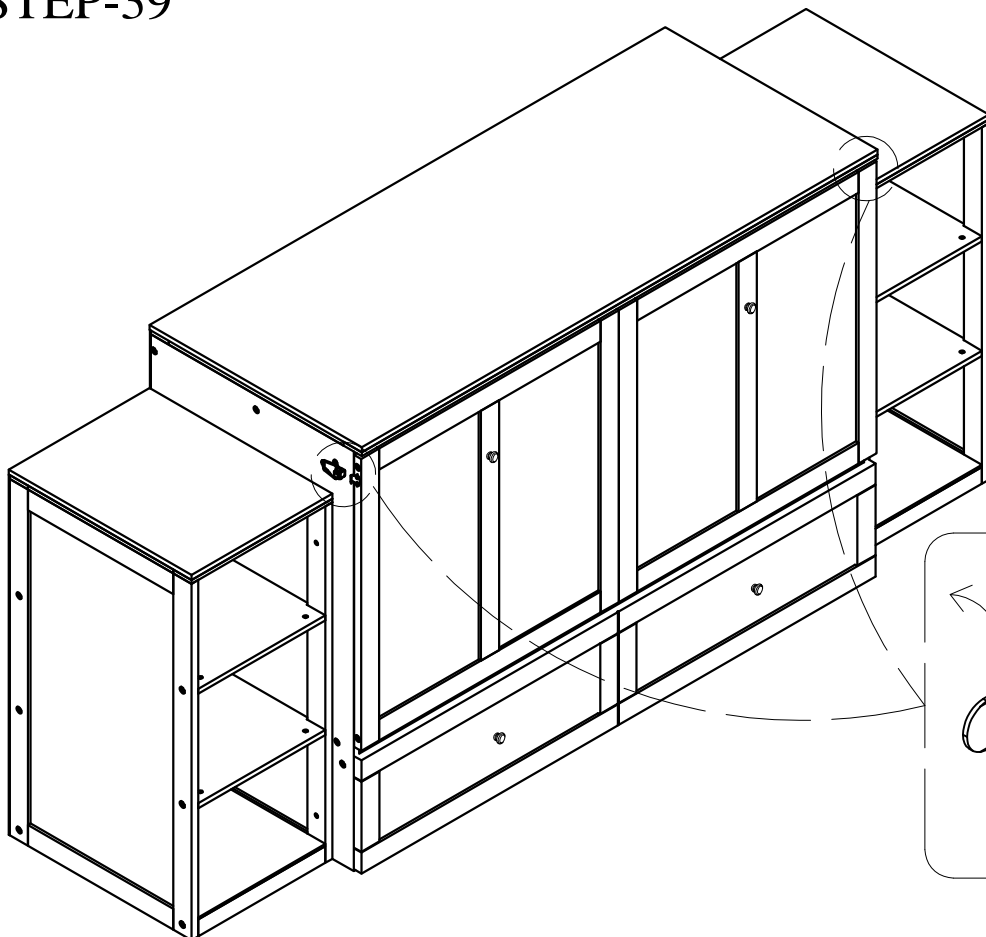
# STEP-37



# STEP-38



# STEP-39



FINISH  
OPTION 2

