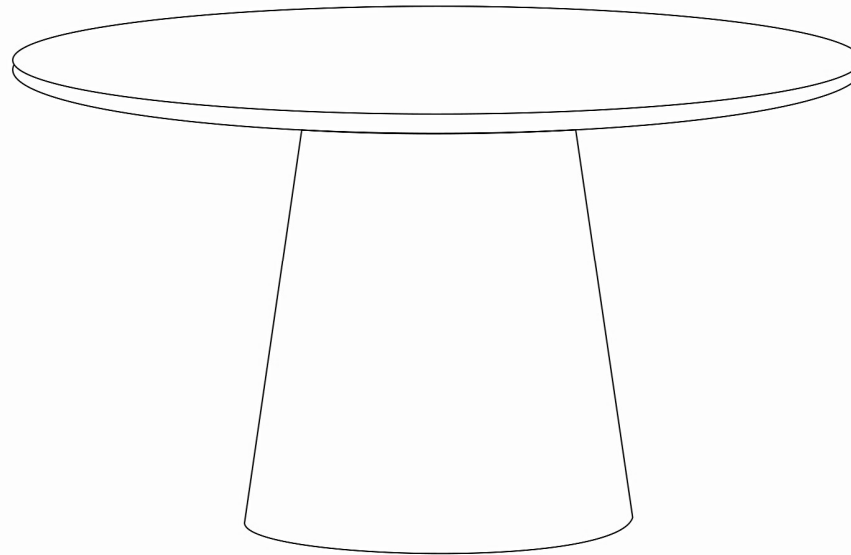


ASSEMBLY INSTRUCTIONS.

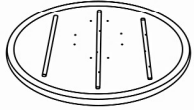
CEMBER DINING TABLE



THANK YOU FOR YOUR PURCHASE!

PARTS AND HARDWARE.

TOP X1 -A



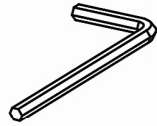
BASE X1 - B



BOLT-8X40 MM-8



ALLEN KEY 6MM-1



WASHER-25MM-8

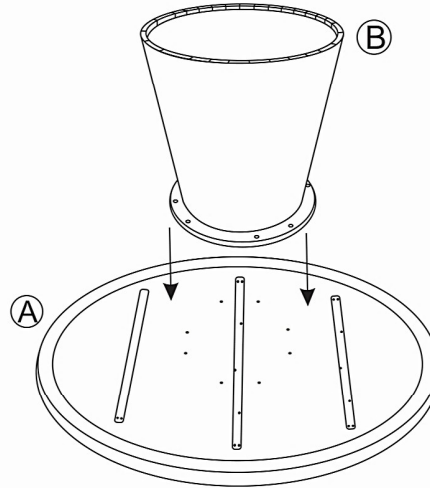


NOTES.

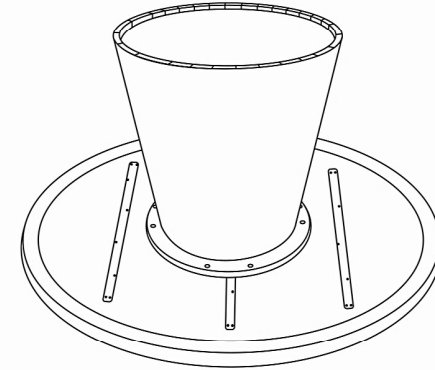
Thank you for purchasing this quality product!
Be sure to check all packing material carefully
for small part that may have come loose
inside the carton during shipping.

CAUTION: The item is heavy, assembly
should be performed by two people.

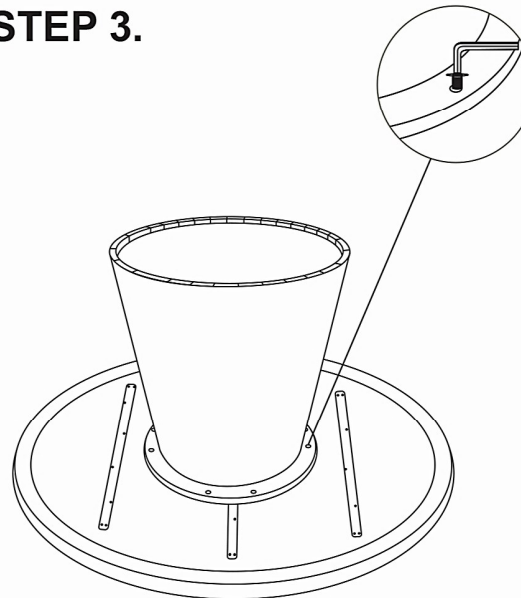
STEP 1.



STEP 2.



STEP 3.



STEP 4.

