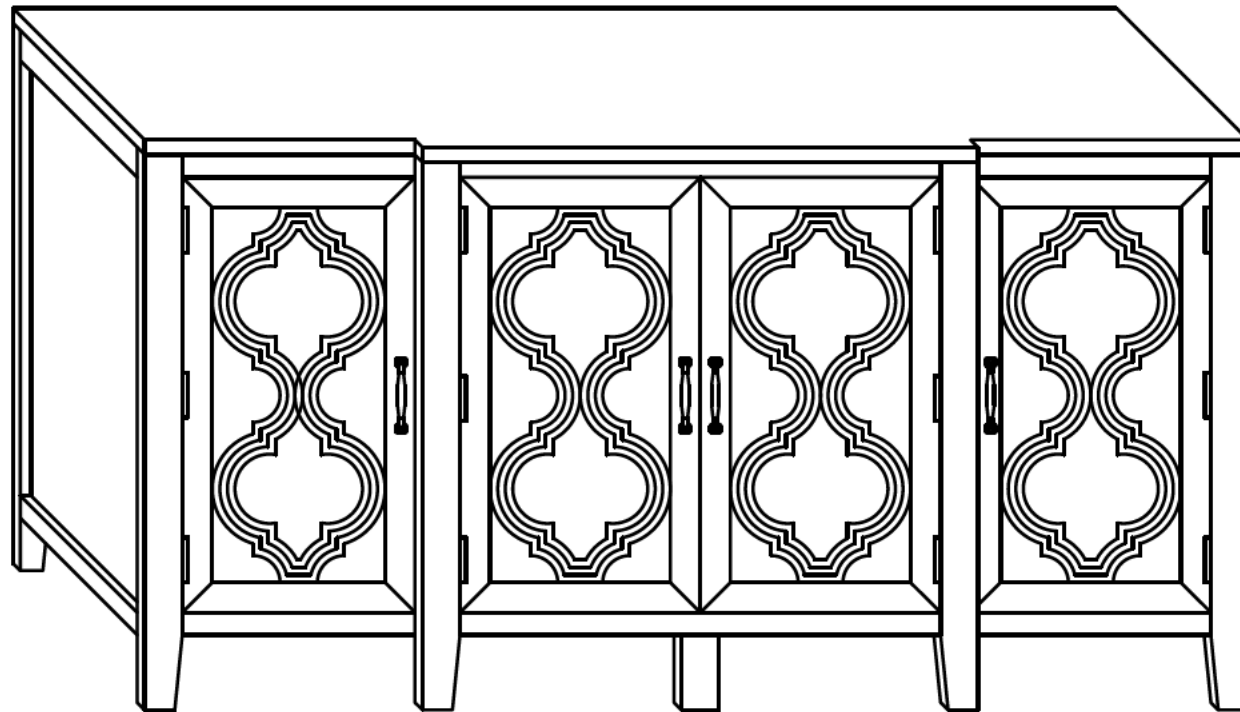


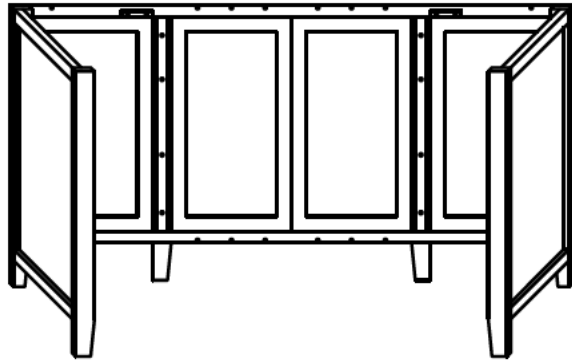
# ASSEMBLY INSTRUCTION

AAK:WHITE

AAE:GRAY



# PART LIST



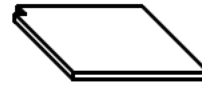
(A) Front+Side Component  
Quantity: 1 pc



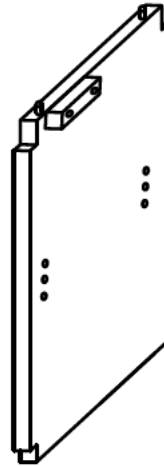
(B) Bottom Component  
Quantity: 1 pc



(C) Quantity: 1 pc



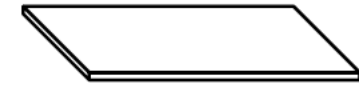
(D) Middle Component  
Quantity: 2 pc



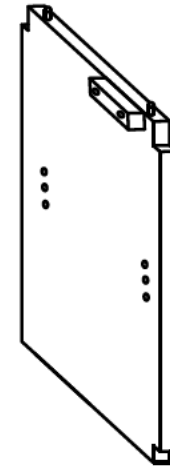
(F) Bulkhead Component  
Quantity: 1 pc



(H) Top Component  
Quantity: 1 pc



(E) Middle Component  
Quantity: 1 pc



(G) Bulkhead Component  
Quantity: 1 pc

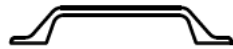


(I) Back panel  
Quantity: 1 pc

# HARDWARE LIST



- ① 6x30 mm  
Quantity: 18 pcs



- ③ Quantity: 4 pcs



- ⑤ Quantity: 12 pcs



- ⑦ 3x10 mm  
Quantity: 12 pcs



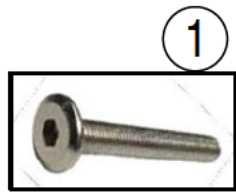
- ② 6x16 mm  
Quantity: 18 pcs



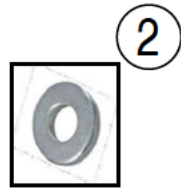
- ④ 4x30 mm  
Quantity: 8 pcs



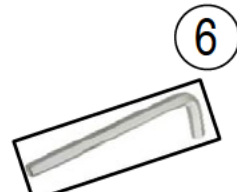
- ⑥ Quantity: 1 pc



Quantity:  
8 pcs

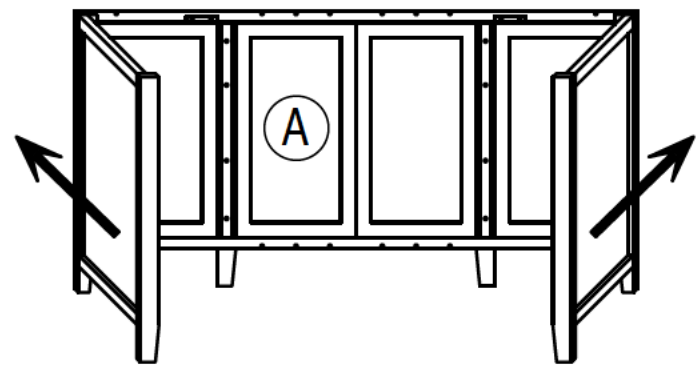


Quantity:  
8 pcs

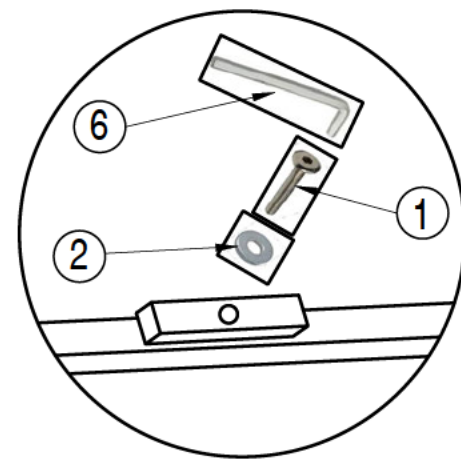
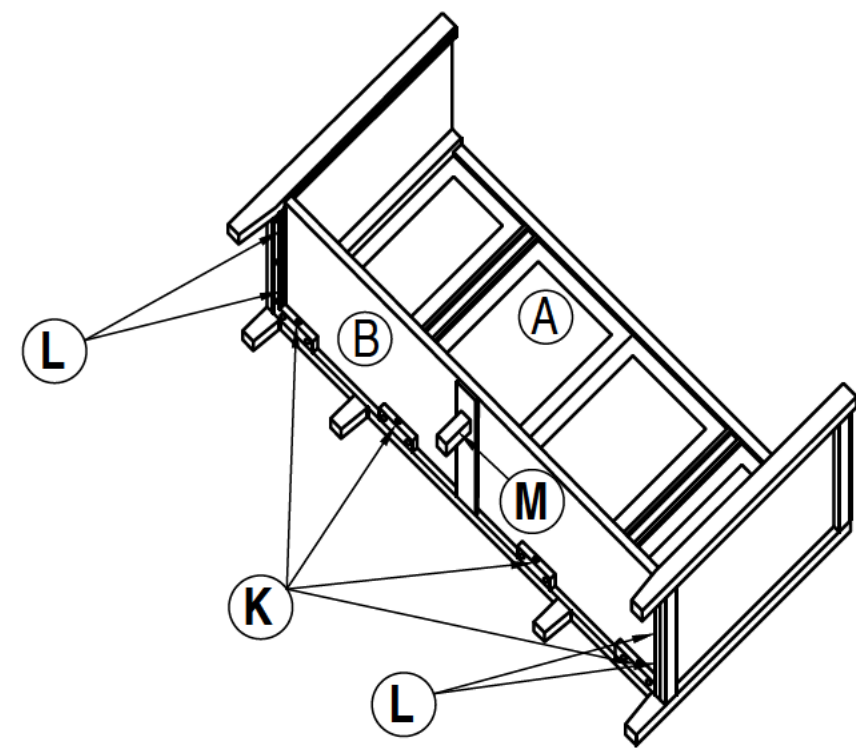


Quantity:  
1 pc

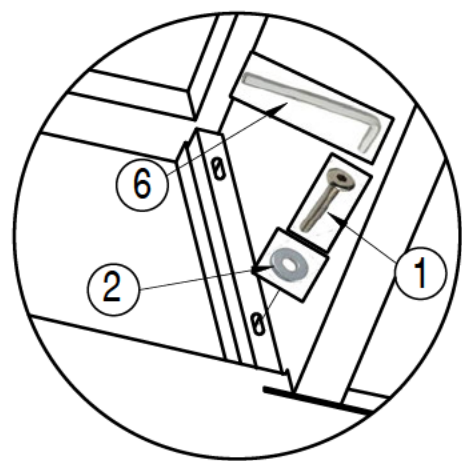
Open to side



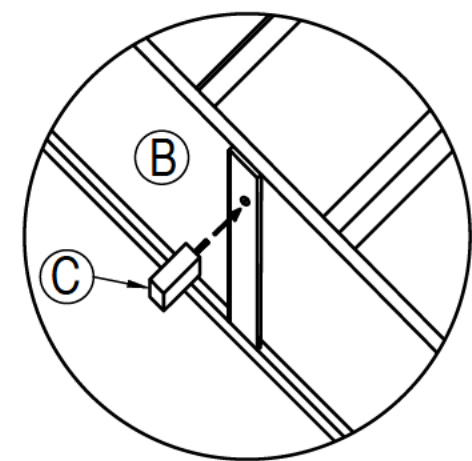
# STEP 1



DETAIL K

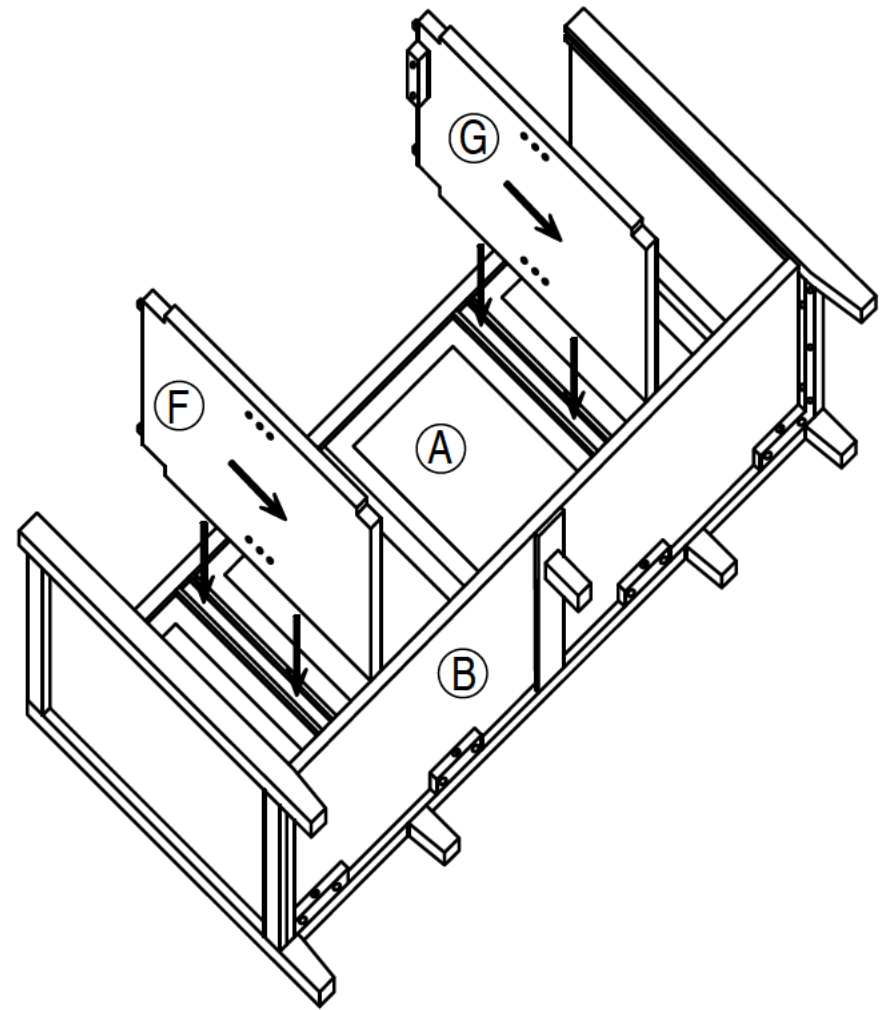
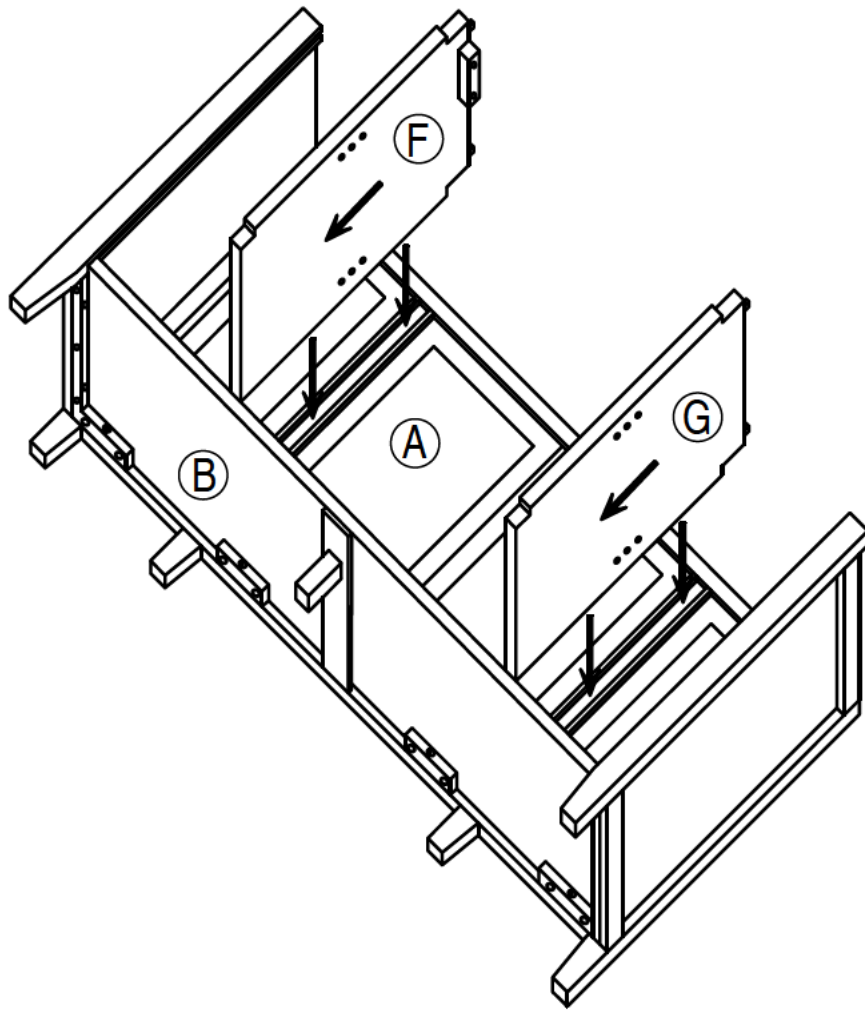


DETAIL L



DETAIL M

# STEP 2



5



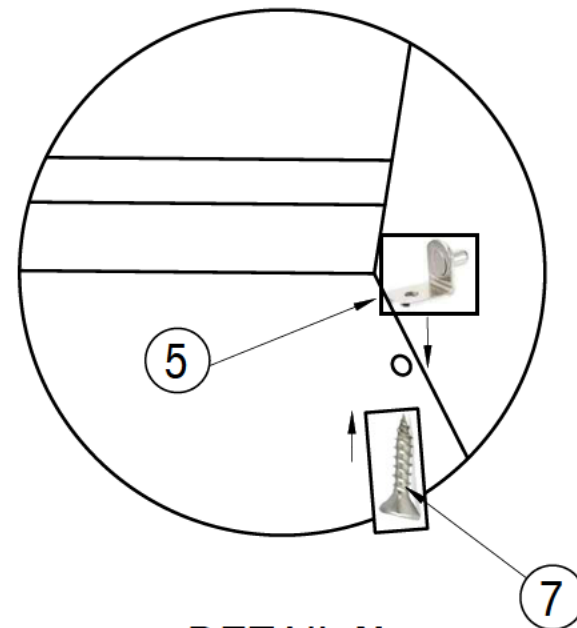
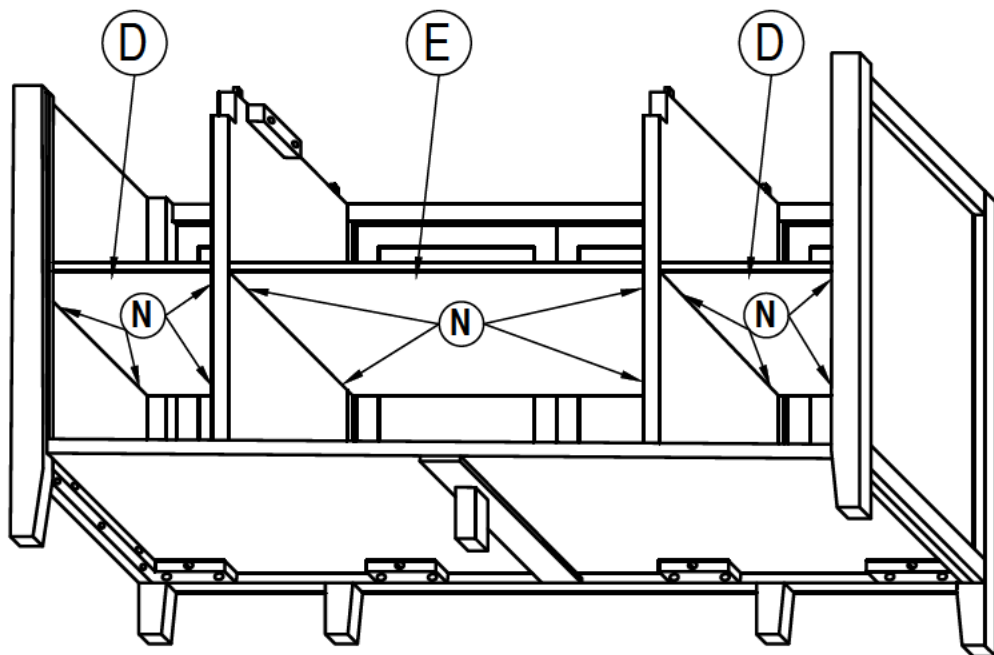
Quantity: 12 pcs

7



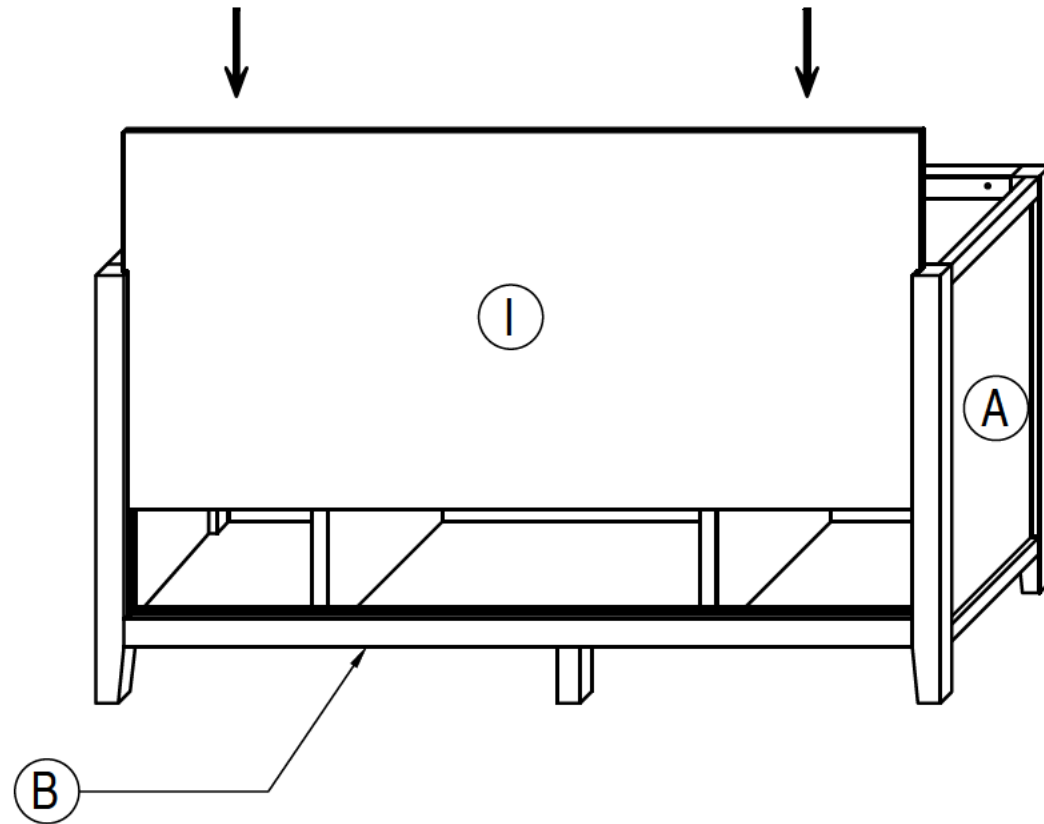
Quantity: 12 pcs

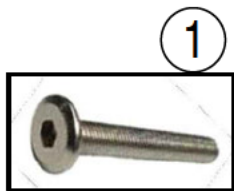
# STEP 3



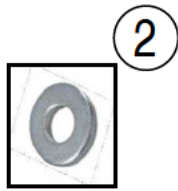
DETAIL N

# STEP 4

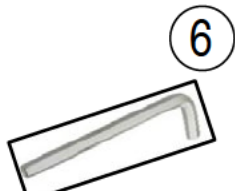




Quantity:  
10 pcs

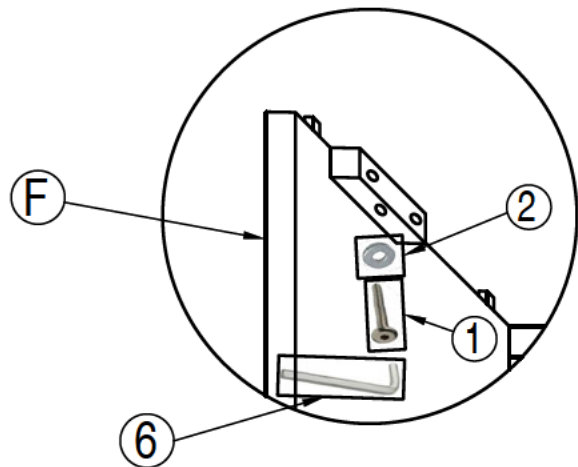
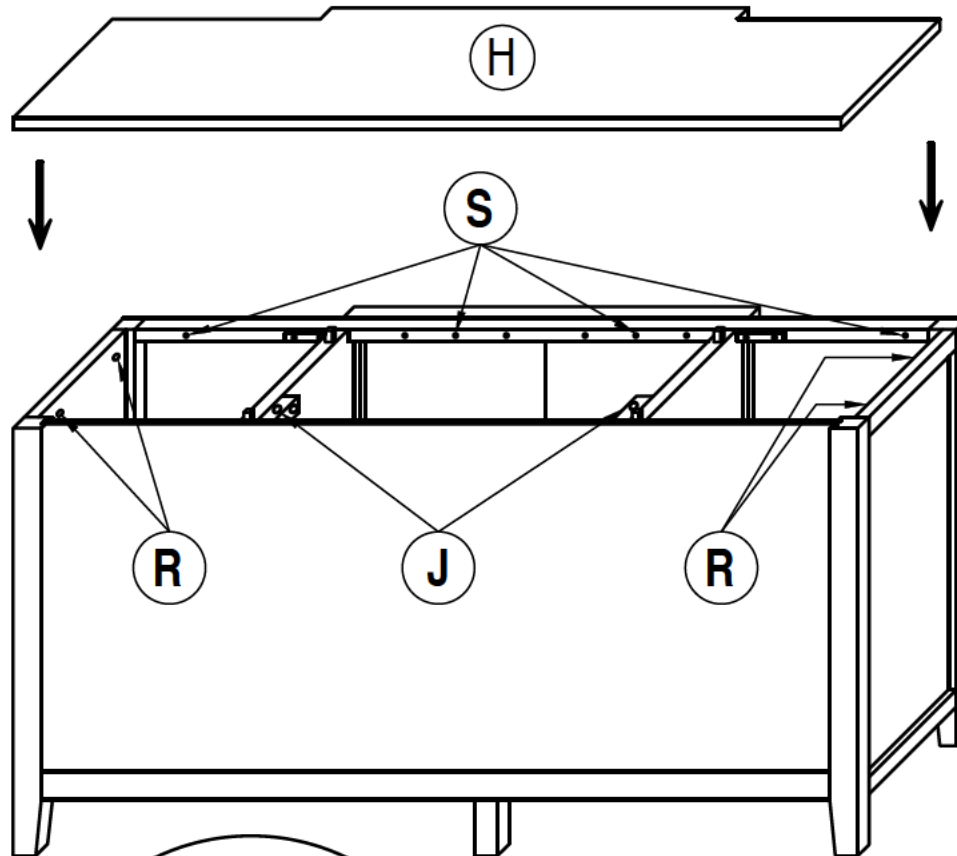


Quantity:  
10 pcs

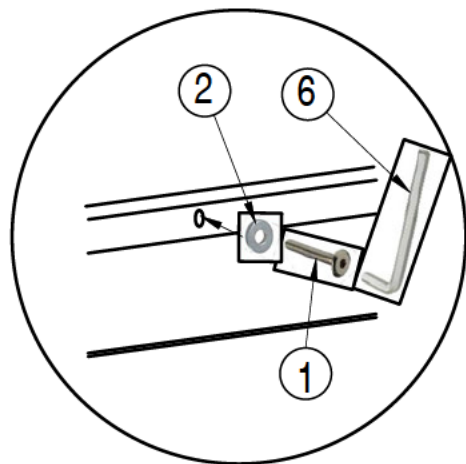


Quantity:  
1 pc

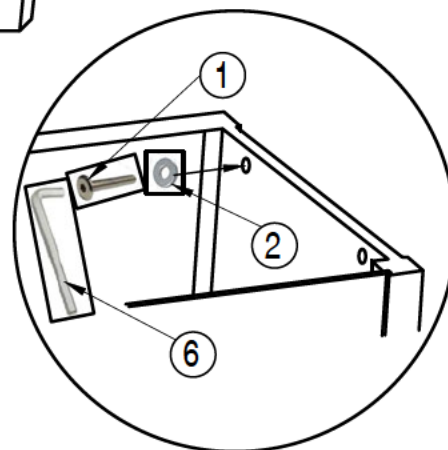
## STEP 5



DETAIL J

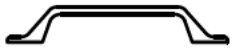


DETAIL S



DETAIL R

3



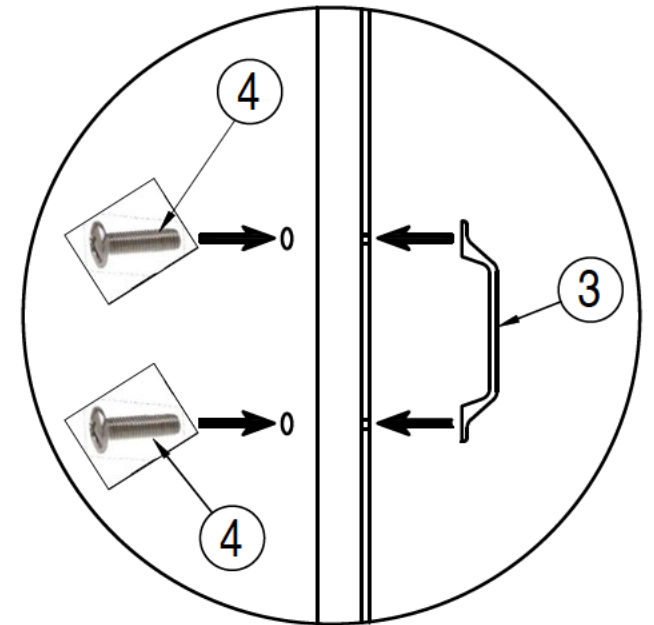
Quantity: 4 pcs

4



Quantity: 8 pcs

# STEP 6



DETAIL P

