

Shower Door
5/16" & 1/4" glass (8mm&6mm)

INSTALLATION GUIDE

CAUTION: To reduce the risk of breakage, keep corner protectors on glass while installing. Keep corner protectors for use in case future adjustments are needed.

Consult your local plumbing codes prior to installation.

Recommended Clearance Heights for Installation:

72 inches (182.9 cm)

Recommended Width for Installation:

28-inch enclosure:

28 - 32 inches (71.1 - 81.3 cm)

32-inch enclosure:

32 - 36 inches (81.3 - 91.4 cm)

MODEL:

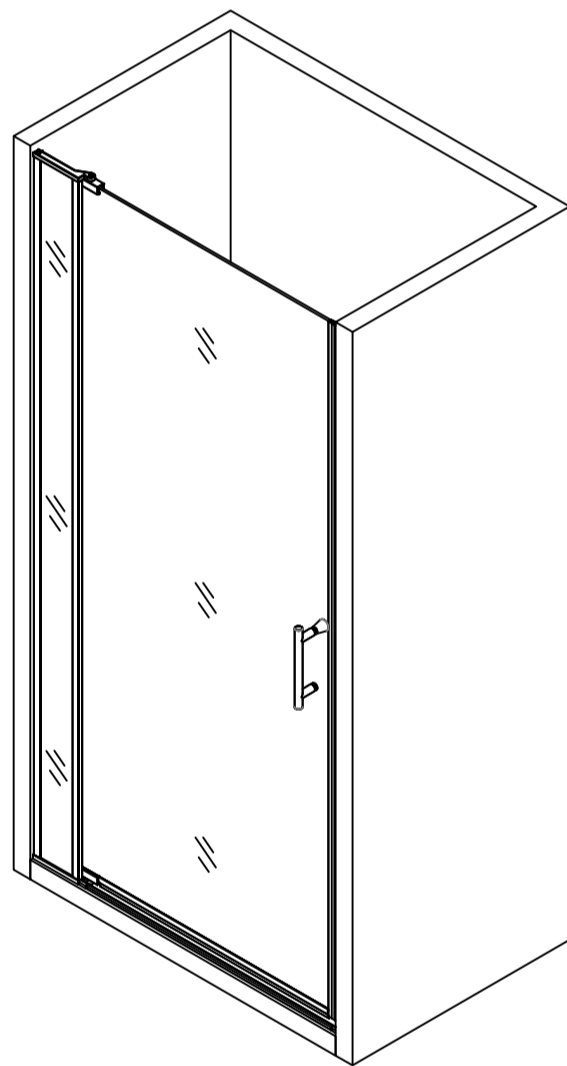
105323672MB06C

105323672BN06C

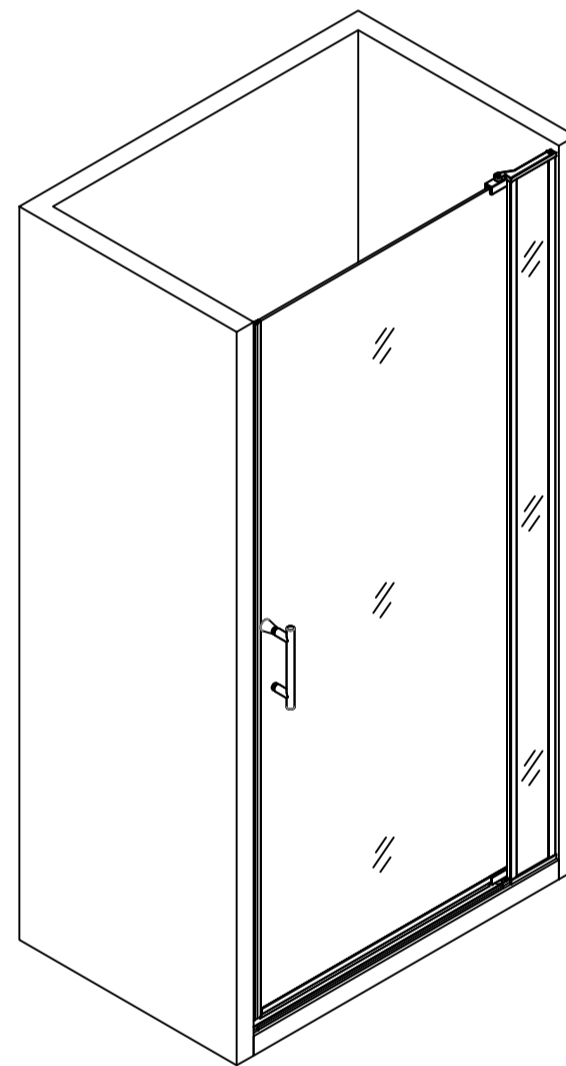
105283272MB06C

105283272BN06C

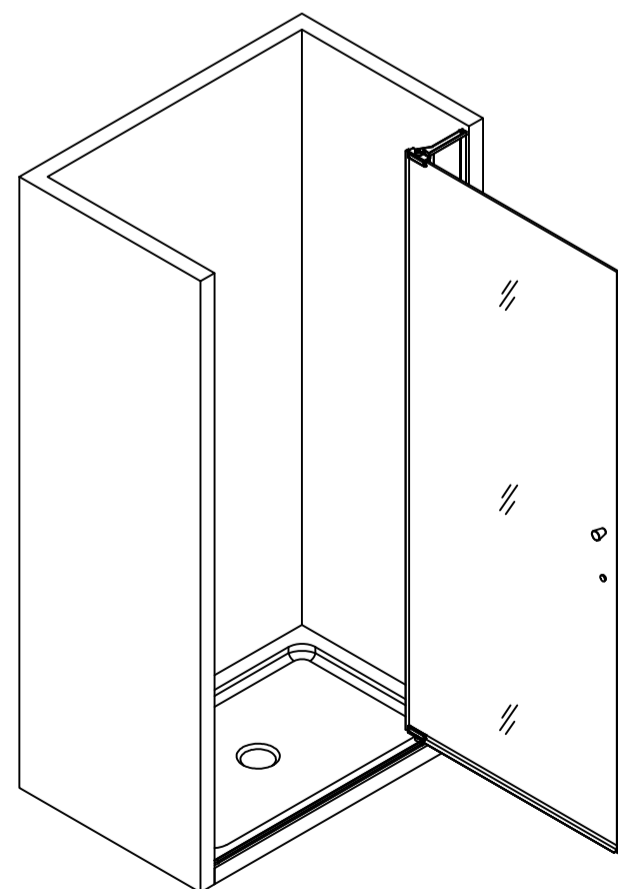
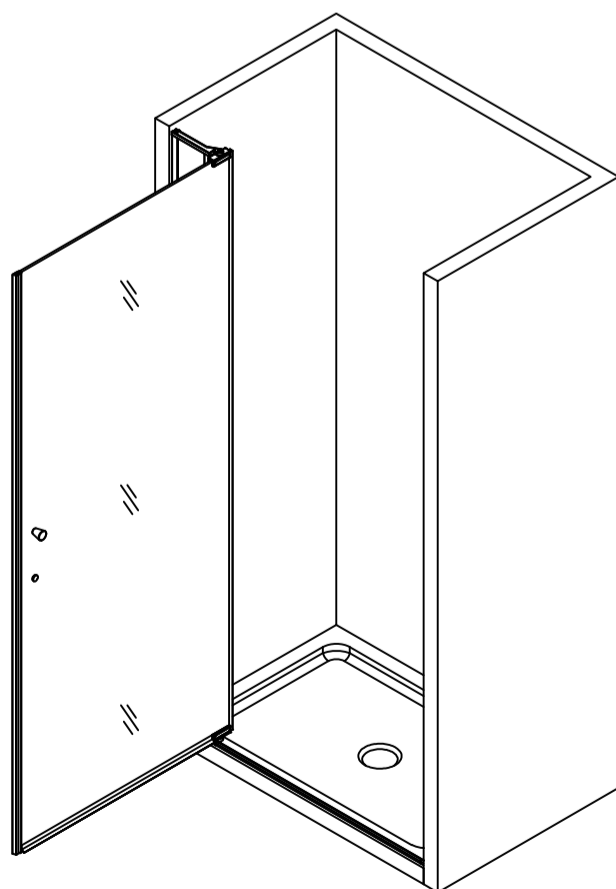
 Instructions are for left side door installation.



Left side door installation.



Right side door installation.



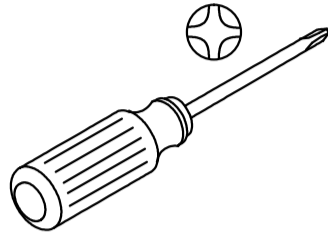
The product is limited to open 90 degrees

TOOLS REQUIRED

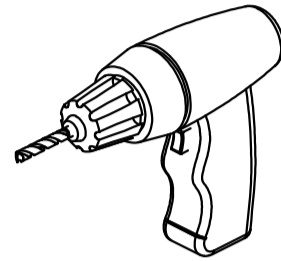
Drill Bits



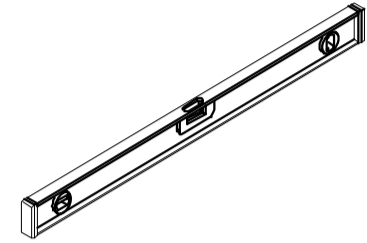
Screw Driver



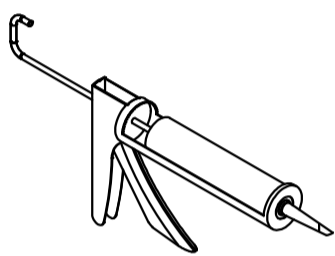
Drill



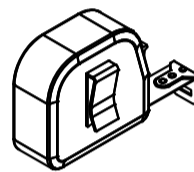
Level



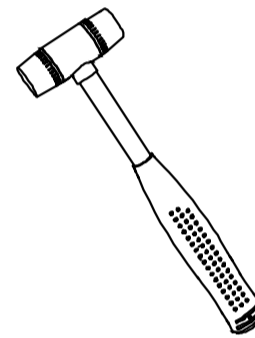
Silicone



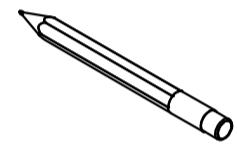
Measuring Tape



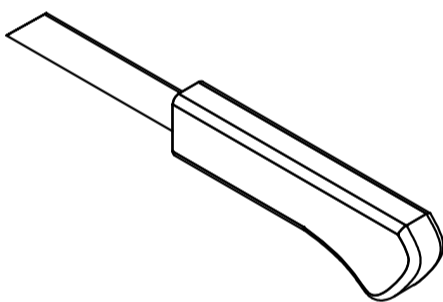
Soft Head Hammer



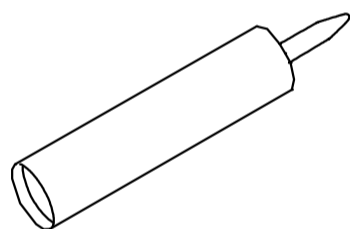
Pencil



Knife



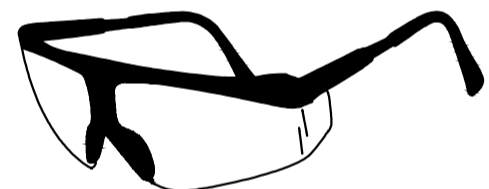
Sealant



MASONRY DRILL BIT FOR TILE Ø6mm



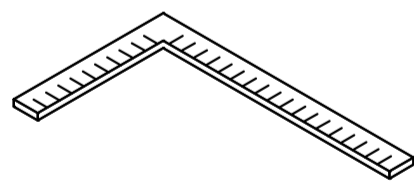
Safety Glasses



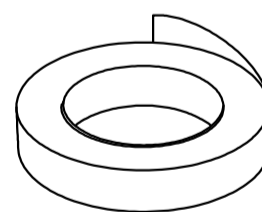
Glove



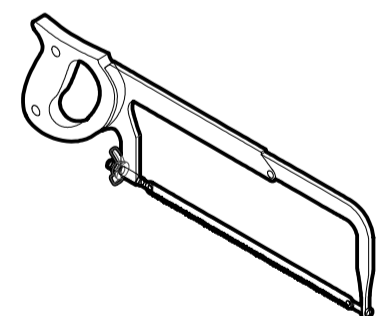
Carpenter's Squarer



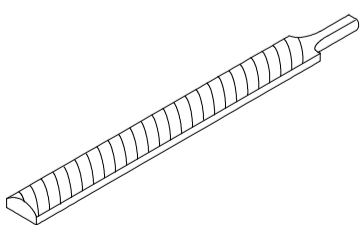
Masking or painter's tape



Hack Saw



Metal File



CAUTION: When cutting or drilling metal components or when handling glass, to reduce the risk of personal injury, protective eye wear, gloves, and closed-toe shoes are required.

SAFETY INFORMATION

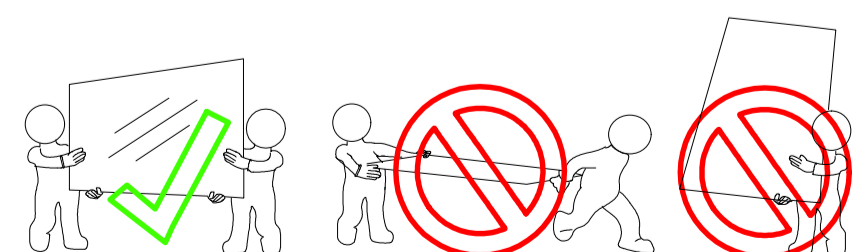
CAUTION

Please carefully read the following important safety information before handling or installing this shower. There is a risk of serious injury while handling this product.

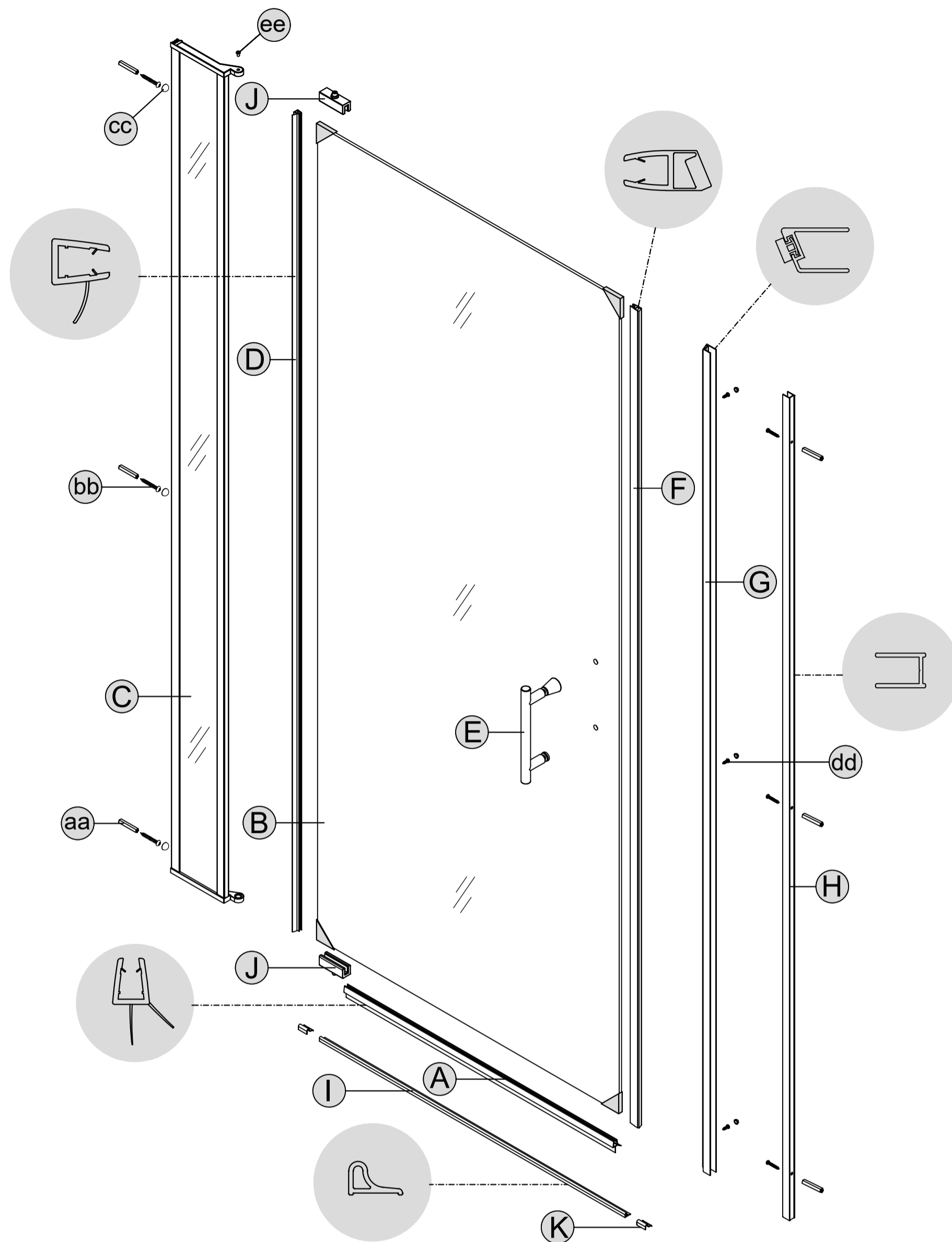
To minimize these risks, please note:

- Always wear safety glasses and gloves while handling.
- Always follow the installation instructions.
- Inspect glass for damage before installation.
- Extreme caution should be taken while handling the glass during installation as the tempered glass may shatter if in contact with a hard surface.
- Do not cut or modify the tempered glass as it will shatter if cut.
- Carefully remove product from packaging and keep packaging until installation is complete.
- Inspect all parts for damage or missing; if there is damage or part missing to the unit prior to installation, please contact customer service at the number provided in this guide.
- Cover the drain with tape to prevent the loss of small parts.
- The shower base and finished walls should be installed before beginning the shower door installation.
- During the installation, protect the shower floor with a drop cloth to avoid damage.
- This product should be installed by two people who are familiar with construction requirements. Professional installation is recommended!
- Keep this installation manual for future reference.

NOTE: Two people should perform this installation.



DOOR ASSEMBLY



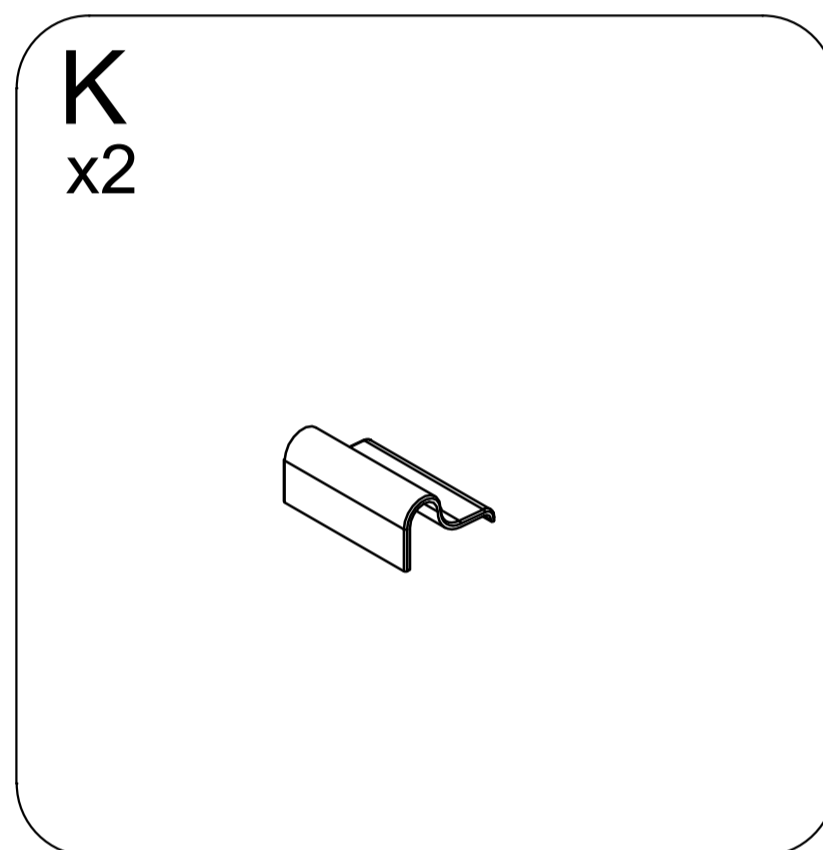
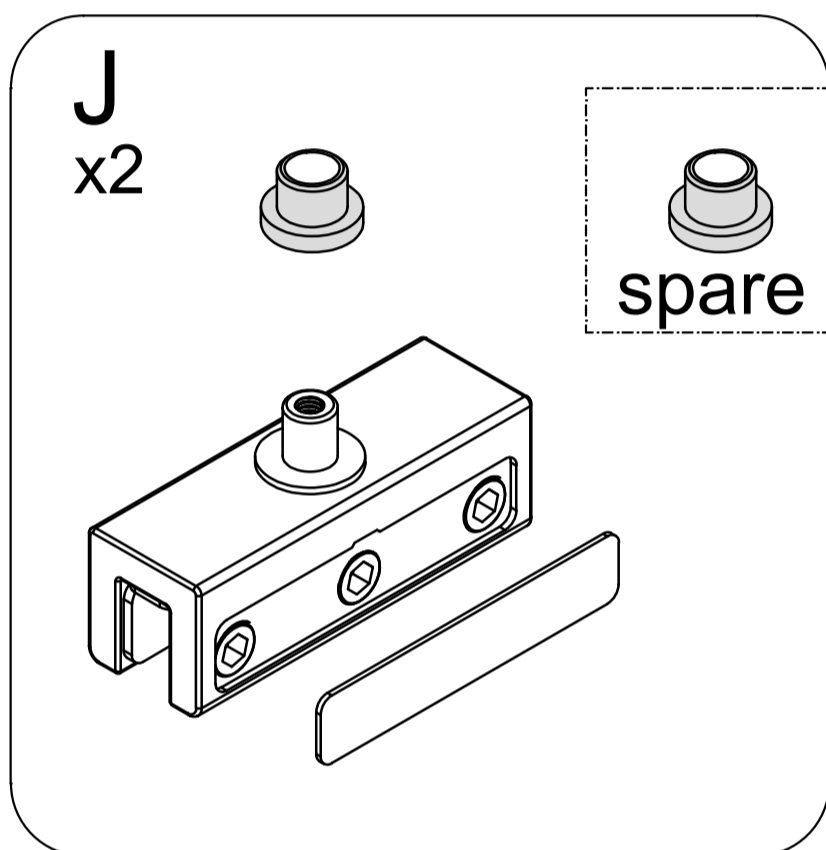
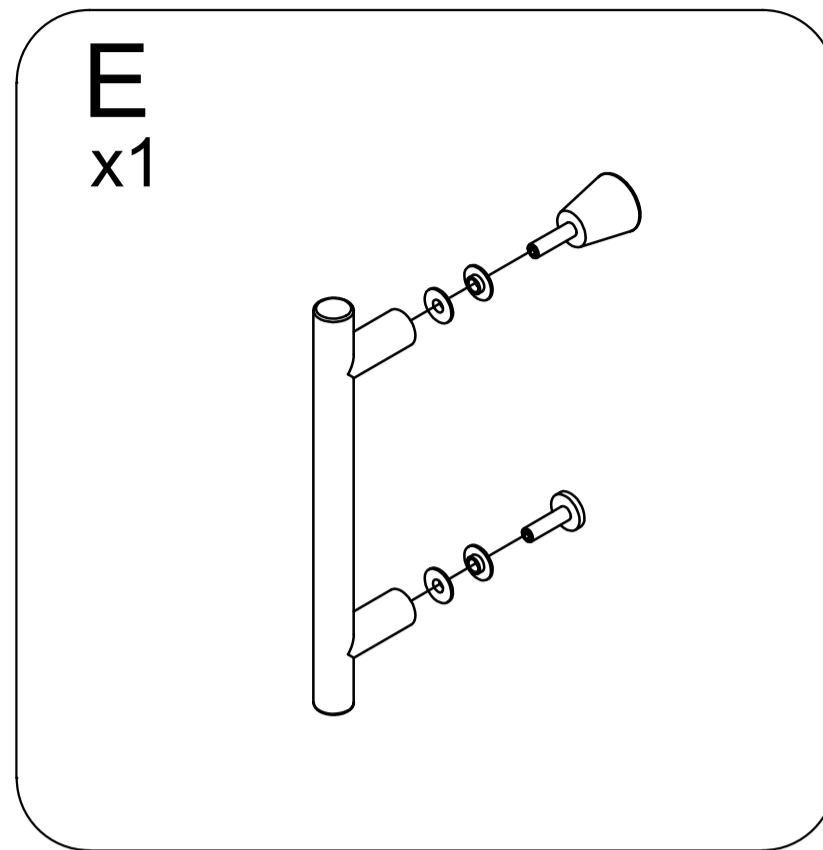
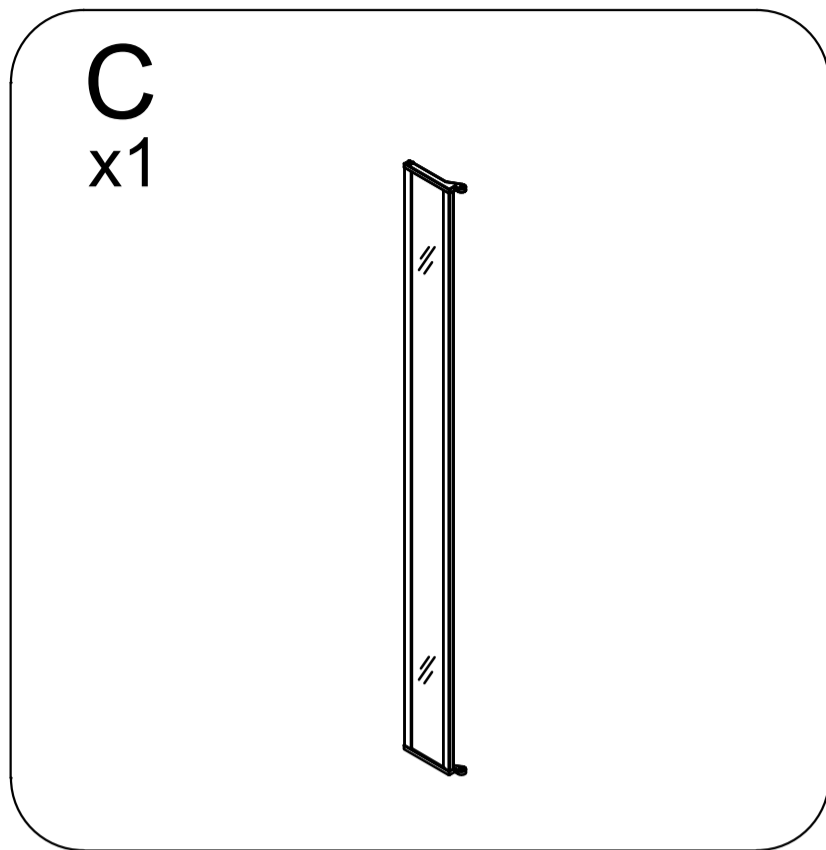
CARTON PARTS IDENTIFICATION

See following pages for detailed component diagrams

PART#	DESCRIPTION	QTY	PART#	DESCRIPTION	QTY
A	Bottom Gasket	1	G	Magnetic strips profile	1
B	Door panel	1	H	U channel	1
C	Stationary glass assembly	1	I	Alu. Threshold	1
D	Vertical Gasket	1	J	Pivot assembly	2
E	Handle	1	K	Threshold Cap	2
F	Magnetic strip	1			

CARTON PARTS IDENTIFICATION

See following pages for detailed component diagrams



HARDWARE CONTENT

<p>aa</p> <p>Wall anchor Ø6x28mm 7 pcs</p>	<p>bb</p> <p>Screw ST4*30 7 pcs</p>	<p>cc</p> <p>Decorative Caps (washer) 7pcs</p>	<p>dd</p> <p>Screw ST4*10 4 pcs</p>	<p>ee</p> <p>Screw M4*6 2 pcs</p>	<p>ff</p> <p>Plastic mat 1 pcs</p>
--	---	--	---	---	--

Additional spare parts are included.

**NOTE: Inspect all parts for missing prior to installation!
Contact us for any part missing.**



CAUTION: To avoid personal injury or property damage, identify components and read all instructions before installing.

NOTE: Door height is 72" (182.9 cm). Recommended Clearance Height for installation is 74" (188 cm.)

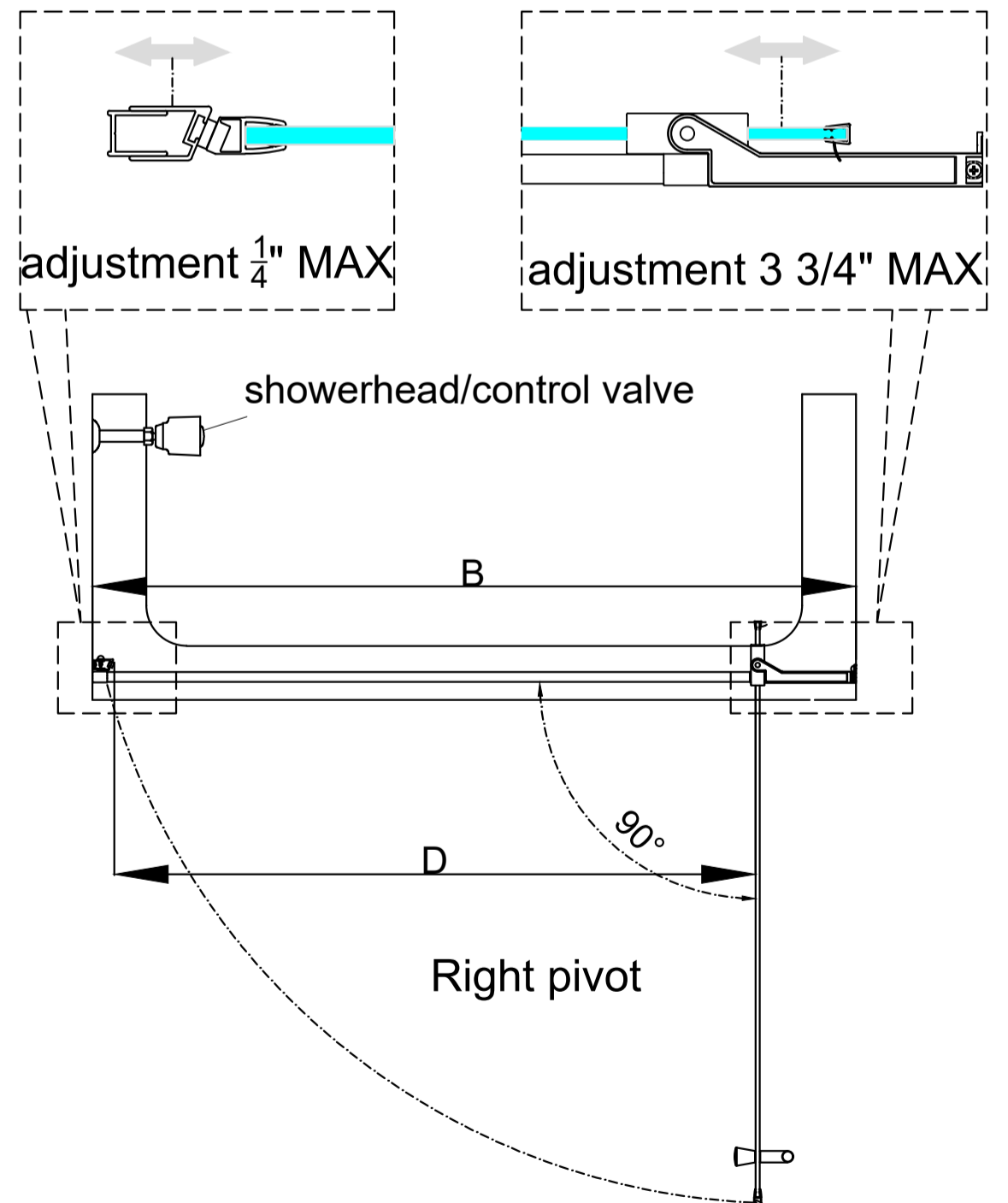
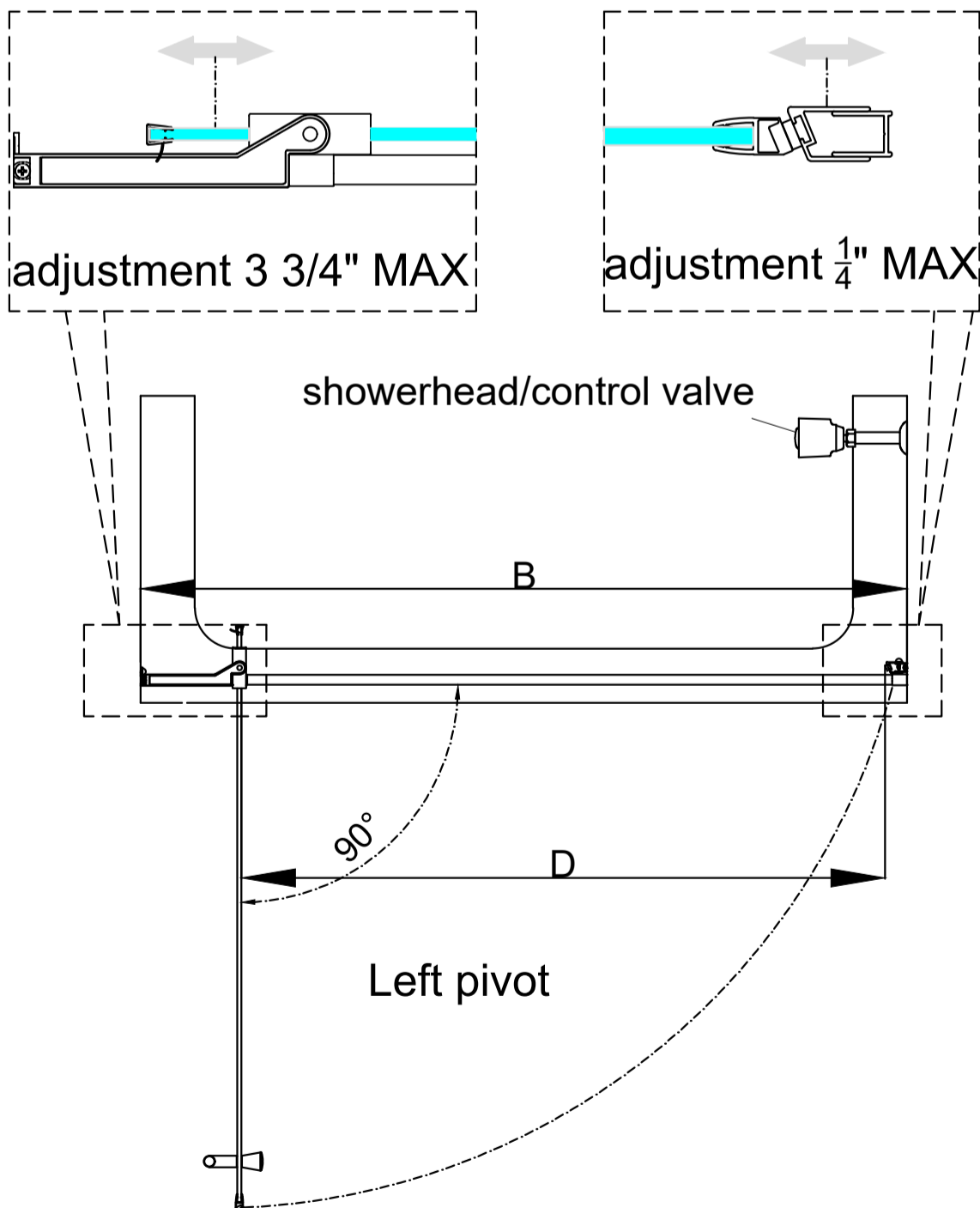
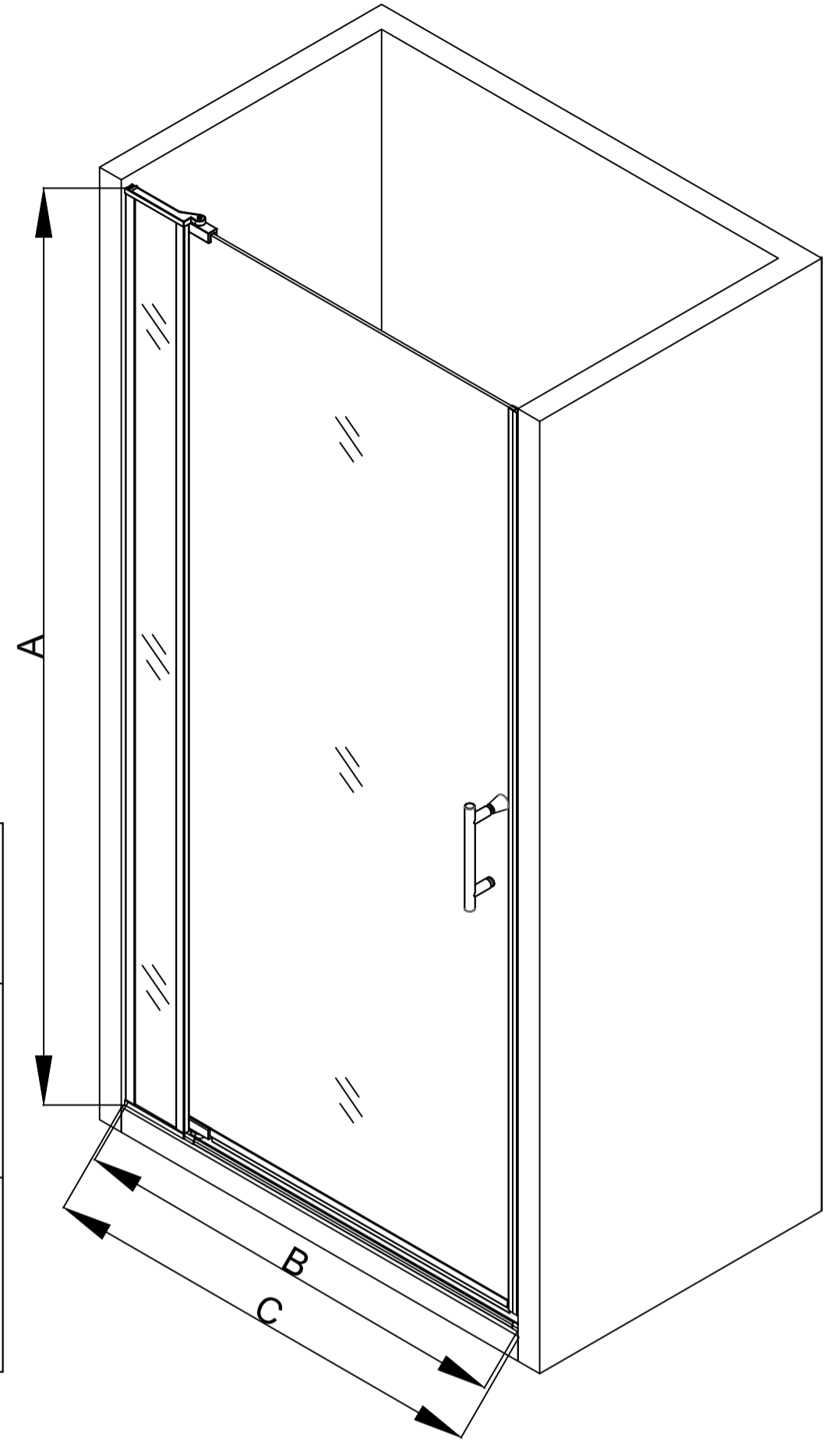
This Shower Door can be installed to open from either side of your enclosure depending on showerhead/control valve location.

The Glass Door should be installed on the same side as showerhead/control valve for optimal water retention.

NOTE: This model is reversible for right or left-hand door installation. The left-hand door installation is shown throughout this manual. For the right-hand door installation, simply begin on the opposite wall and reverse the orientation of the installation steps shown.

configuration dimensions:

A Product Height	B Model width	C Installation width	D (Opening)
72"	28"	28" ~32"	21" ~24 3/4"
	32"	32" ~36"	25" ~28 3/4"



1 Measure the finished opening width.

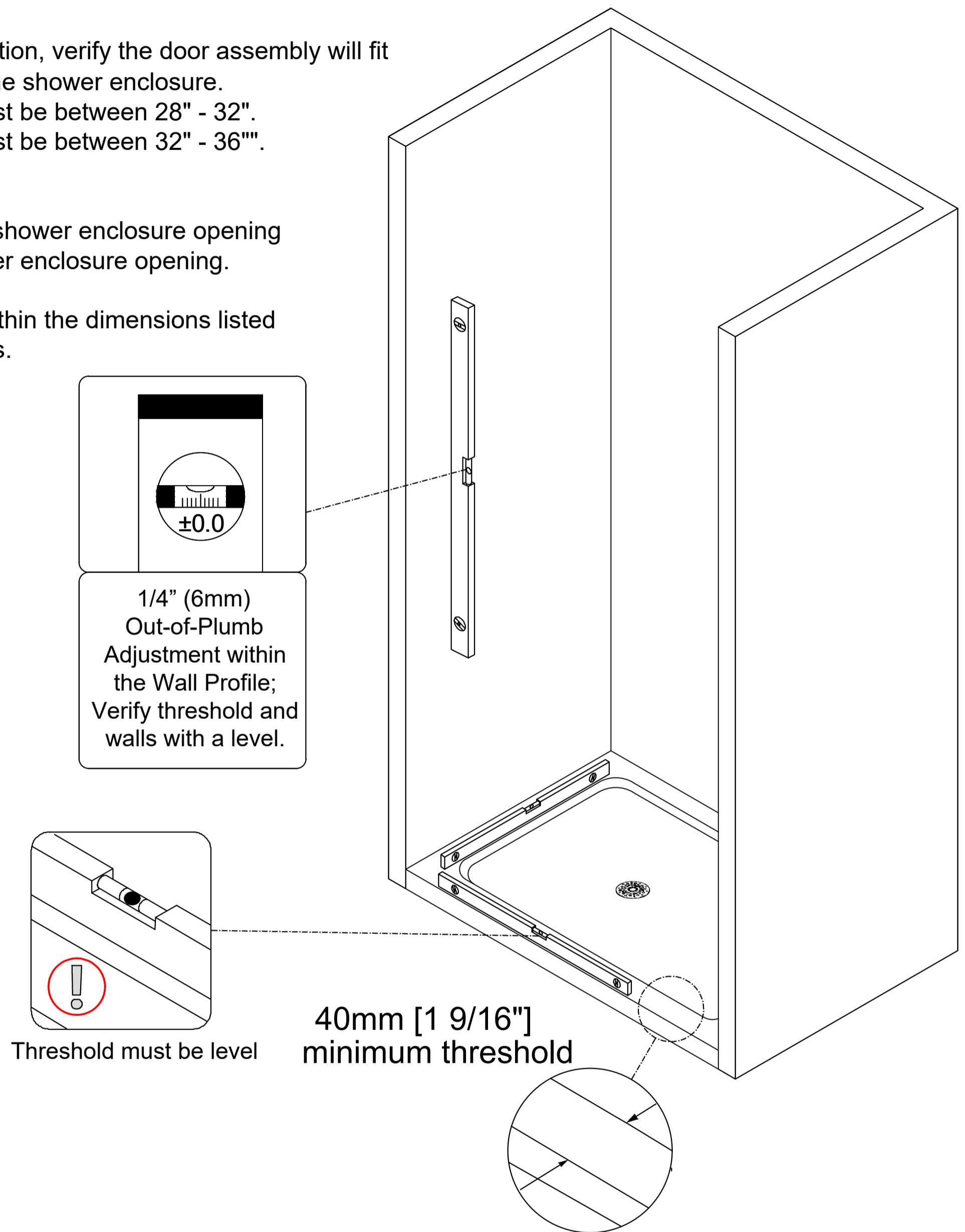
IMPORTANT: Incorrect measurement may prevent proper door closure. Double-check measurement.

NOTE: Before beginning installation, verify the door assembly will fit within the horizontal opening of the shower enclosure.
For the 28" door, the opening must be between 28" - 32".
For the 32" door, the opening must be between 32" - 36"."

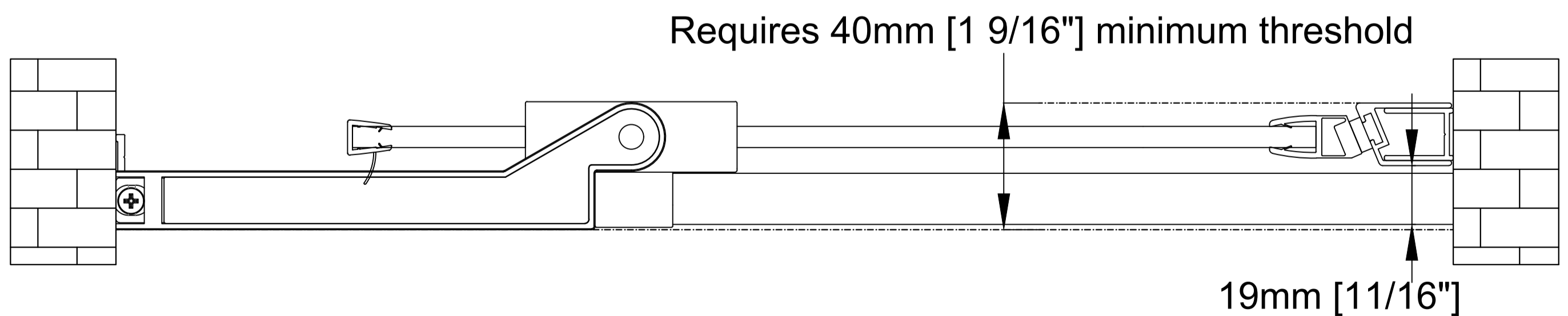
Measure distance "W1" of upper shower enclosure opening and distance "W2" of lower shower enclosure opening.

Both measurements should be within the dimensions listed above for required opening widths.

W1 = Upper Enclosure Width
W2 = Lower Enclosure Width



Top view of left hand single swing door installation

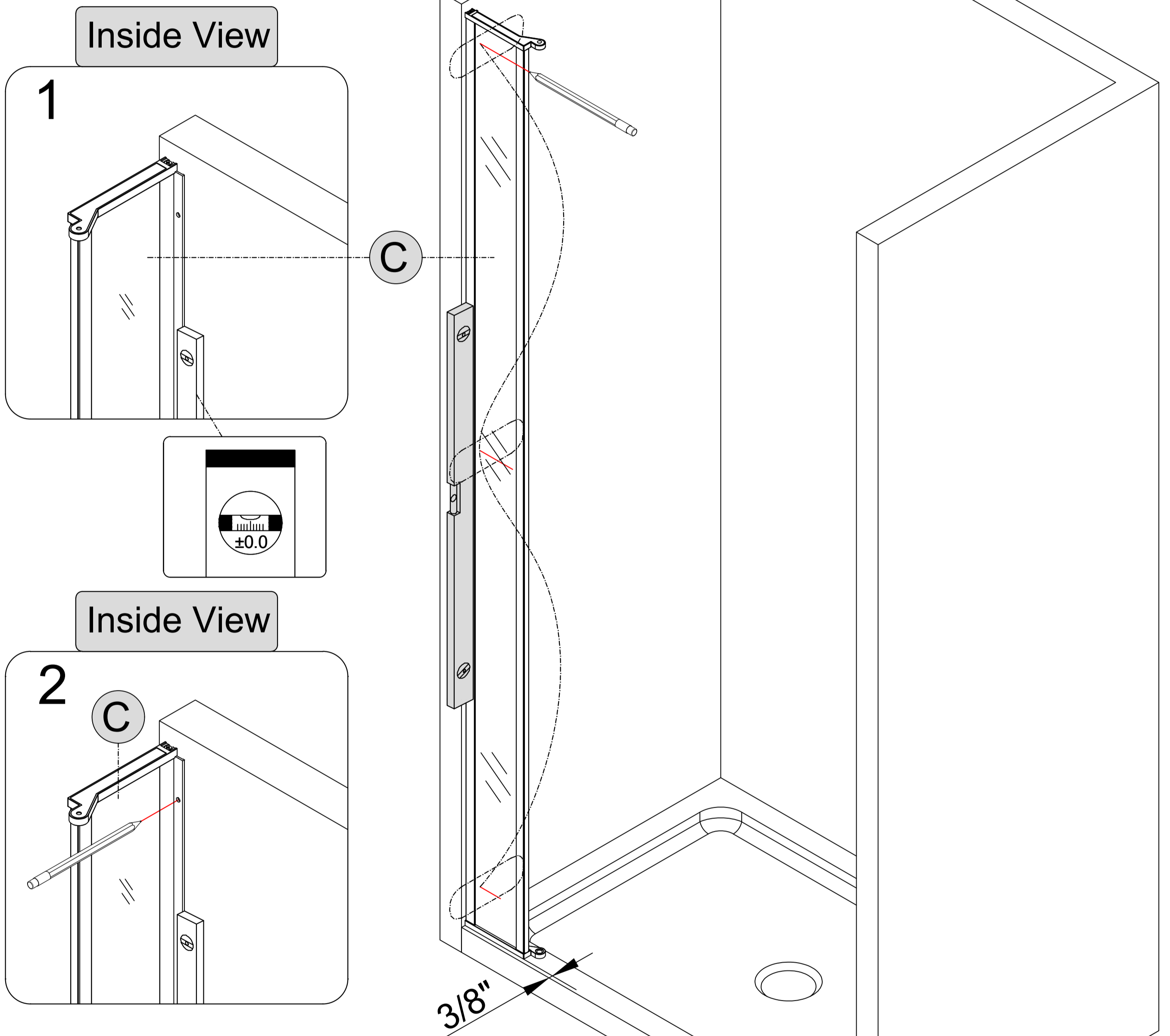


NOTE The strike side Pivot brackets is offset into the shower from the pivot side by 11/16".

2-1 Stationary glass assembly(C) Installation

NOTE

Confirm the **Stationary glass assembly (C)** is plumb with a level before marking the location of the holes for drilling.



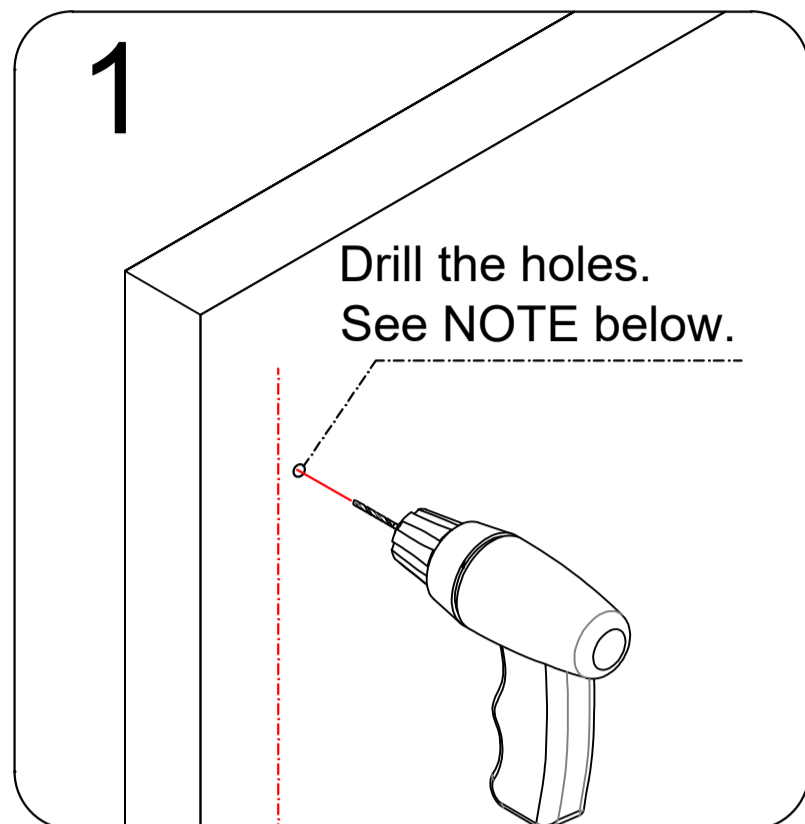
NOTE

Position the outside edge of the **Stationary glass assembly (C)** on the mark(3/8") of the shower base. Mark the location of the holes.

2-2

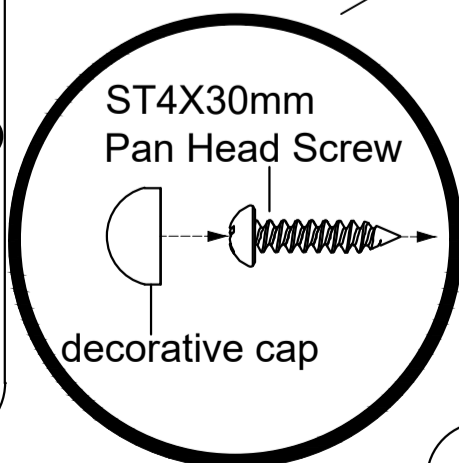
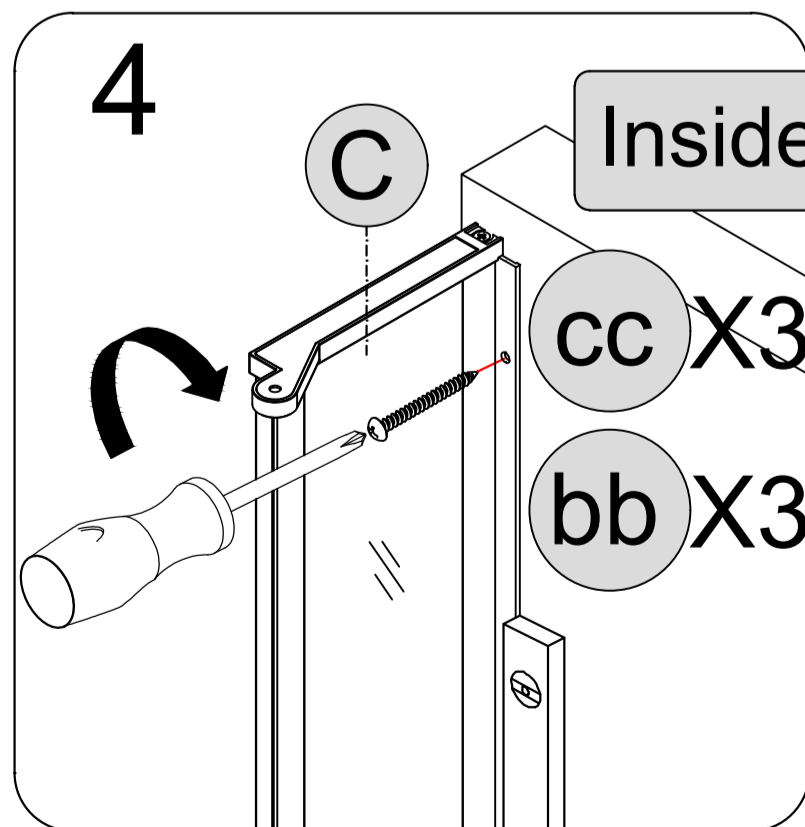
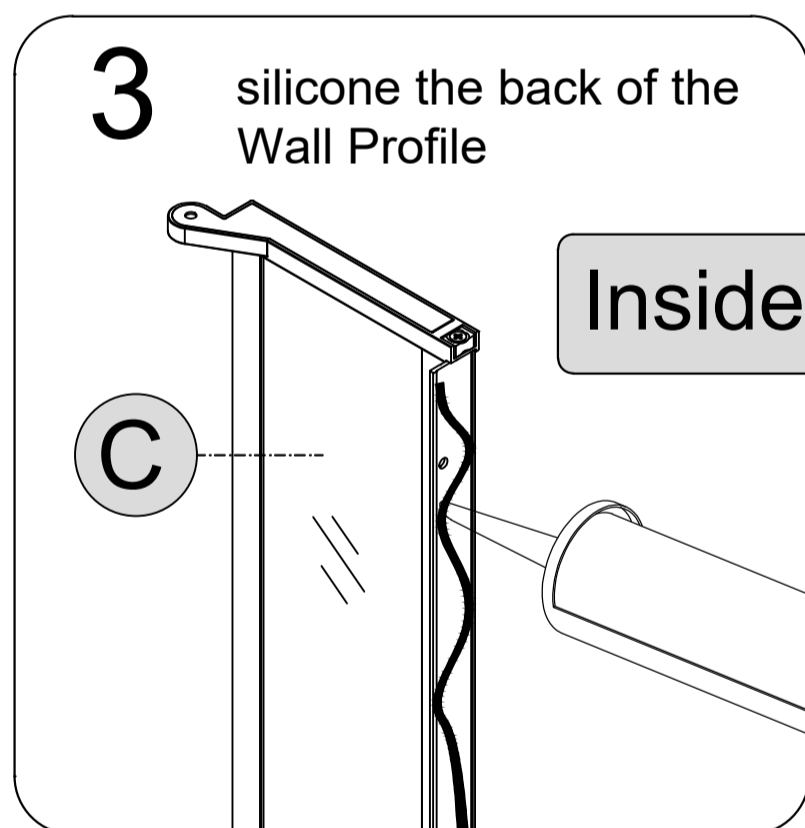
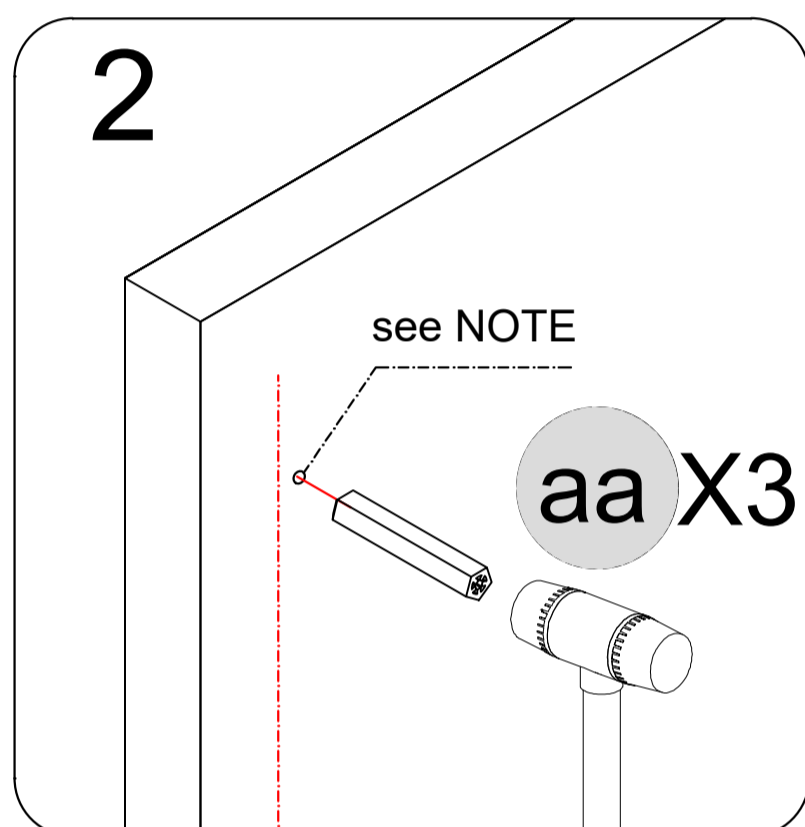
Stationary glass assembly(C) Installation

CAUTION: When cutting or drilling metal components or when handling glass, to reduce the risk of personal injury, protective eye wear, gloves, and closed-toe shoes are required.



NOTE

- If a Stud is present behind the wall:
drill a $\text{Ø}3/16$ "(4mm) hole up to the stud,
drill an $\text{Ø}1/8$ "(3mm) pilot hole into the stud and
use the ST4.0 x 30mm Pan Head Screws (bb)
OR
- If No Stud is present behind the wall:
drill a $\text{Ø}1/4$ "(6mm) hole and insert the Wall Anchors (aa)
and use the ST4.0 x 30mm Pan Head Screws (bb).

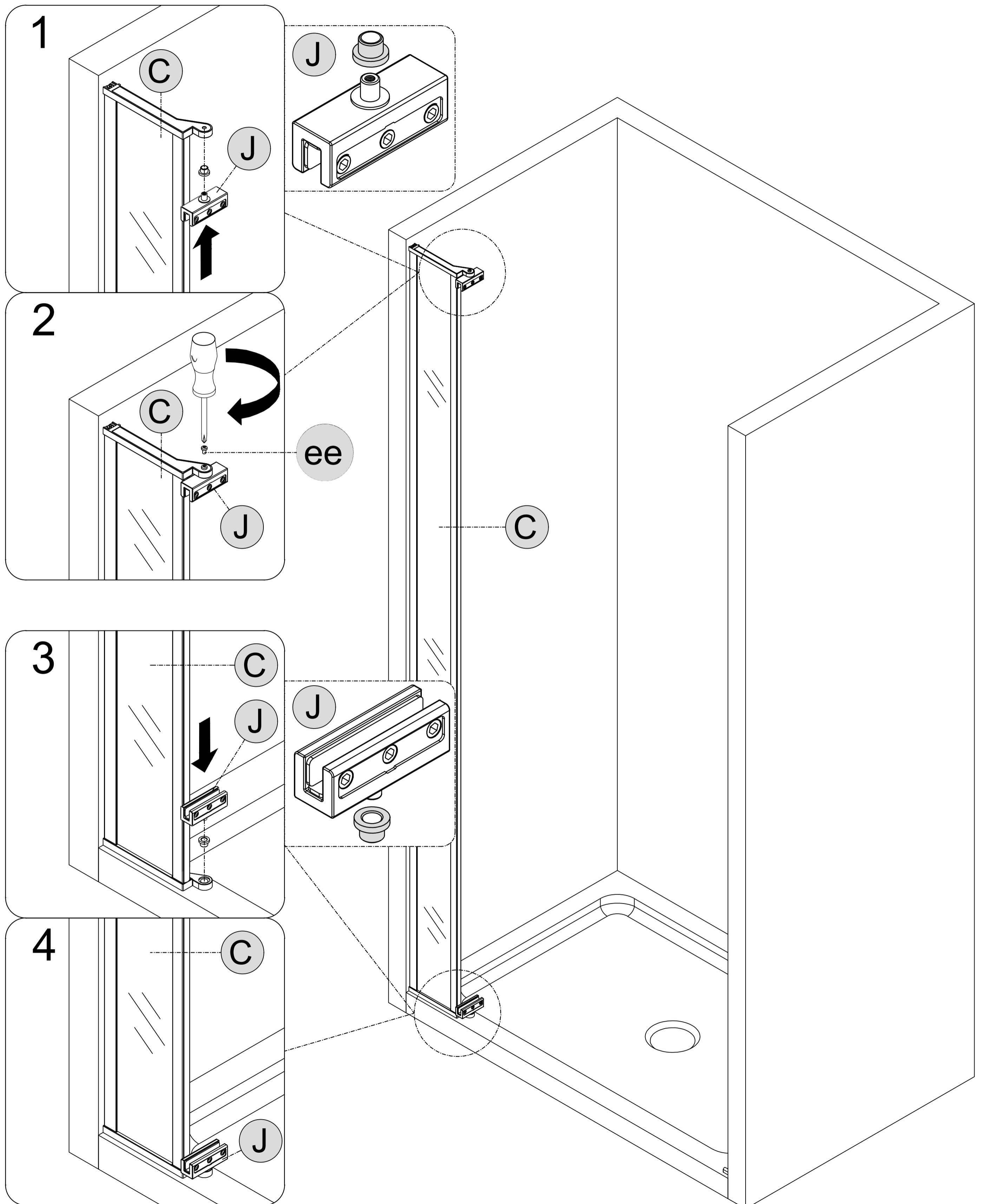


NOTE

Include the washers when installing the ST4.0x30mm Pan Head Screws (bb) and Decorative Caps (cc) .

3 Pivot assemblies (J) Installation

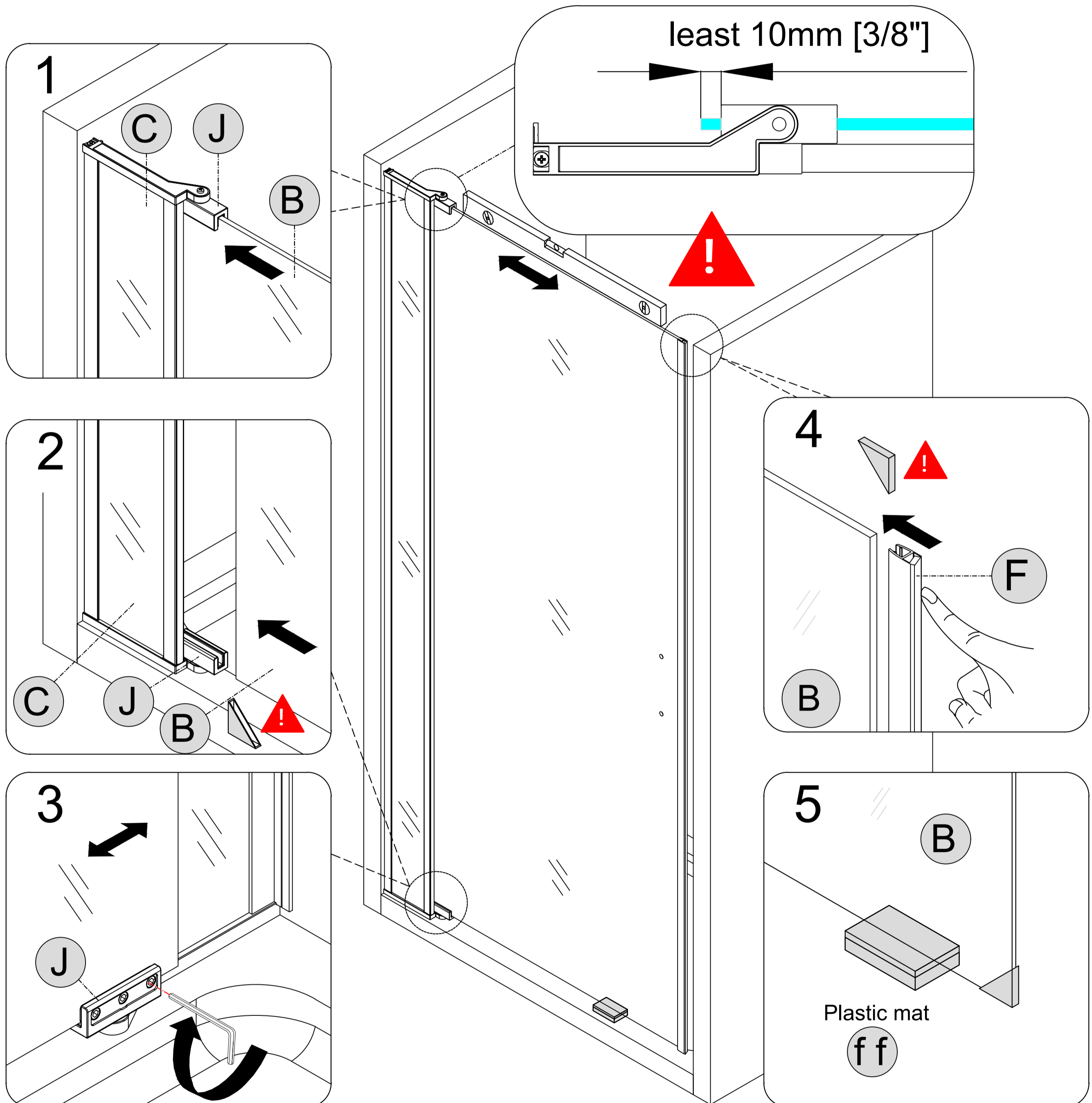
1. Attach the top and the bottom Pivot assemblies (J) to the Pivot brackets .
2. Install the top Pivot assemblies (J) with screws (ee) , but do not tighten the screws as Fig 2.



4 Door panel (B) Installation

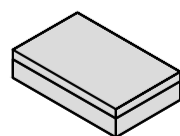
1. Slide the **Glass door (B)** into groove of the **Pivot assemblies (J)** and tighten the provided fasten bolts.
2. **Magnetic strip (F)** Install to **Door panel (B)**.

NOTE When adjusting the **Door glass (B)** in the door pivots, leave a minimum of at least 3/8" of glass extending beyond the **Pivot assemblies (J)**. Do Not adjust the glass flush to the **Pivot assemblies (J)**.



NOTE

Place **Plastic mat (f f)** onto the threshold to provide proper spacing beneath the **Door glass (B)**.

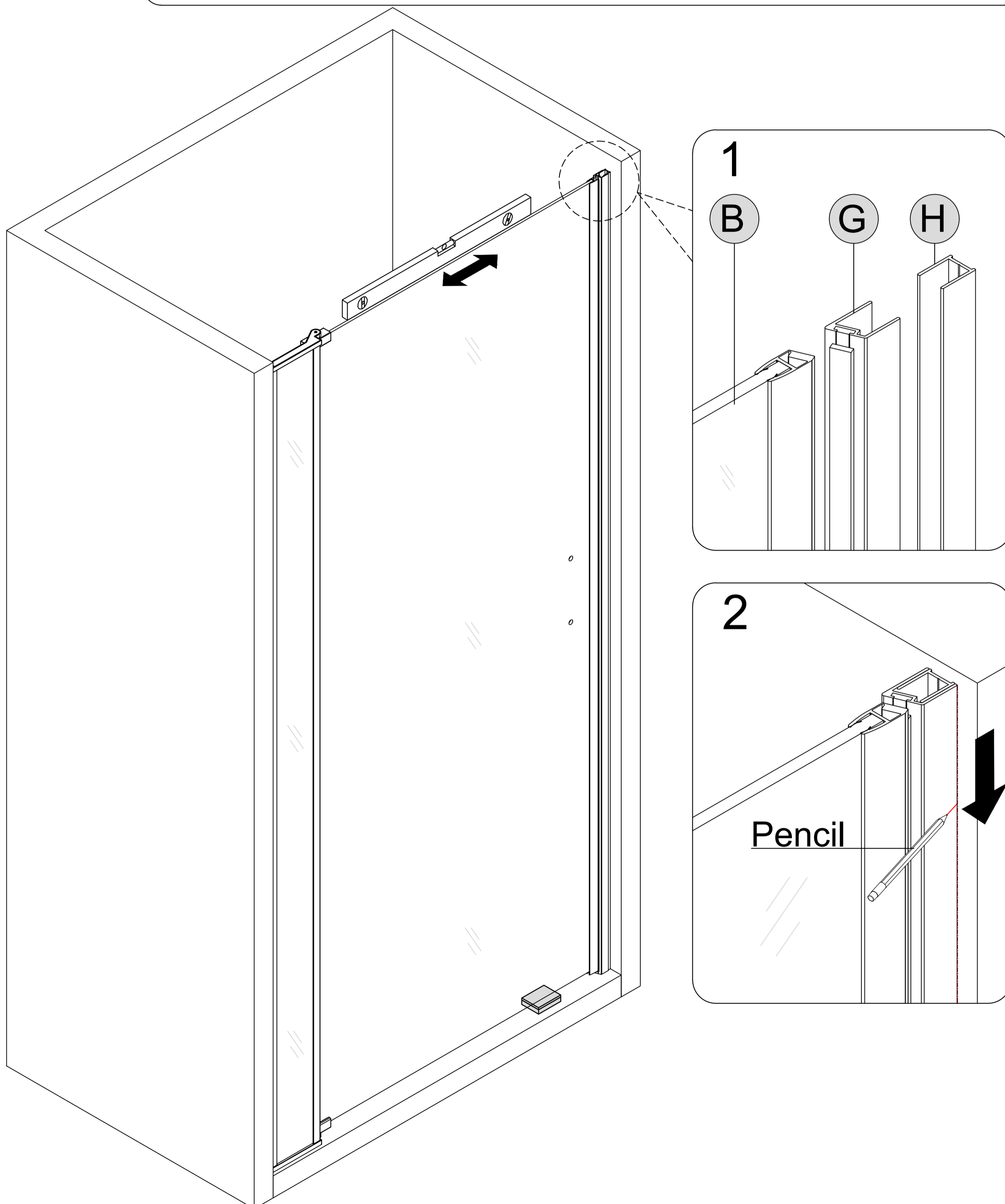


Make any final adjustments to the door so that it is level and plumb in the opening.

5 Determine the G & H position

NOTE

Push the **Magnetic strips profile (G)** into the groove of the **U channel (H)**. Close the **Glass door (B)**. Adjust the position of the **Glass door (B)** and position of the **U channel (H)** on the wall to ensure the Magnetic strips are able to contact each other properly. In this process, you have to use a level to ensure that the Glass door is absolutely vertical. Draw a line along the vertical edge of the **U channel (H)** on the wall.



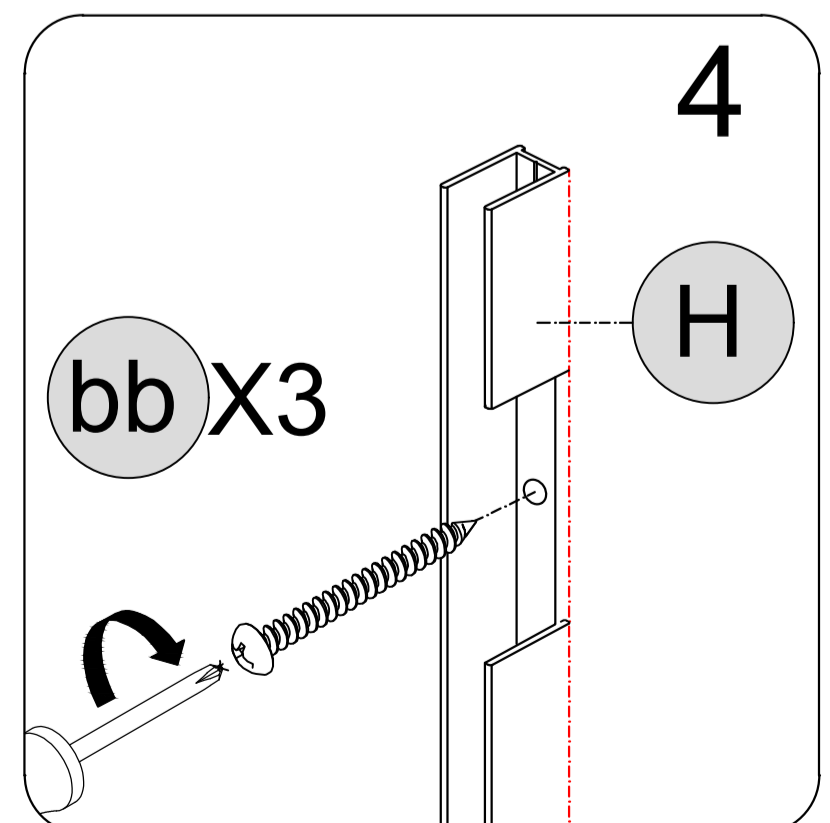
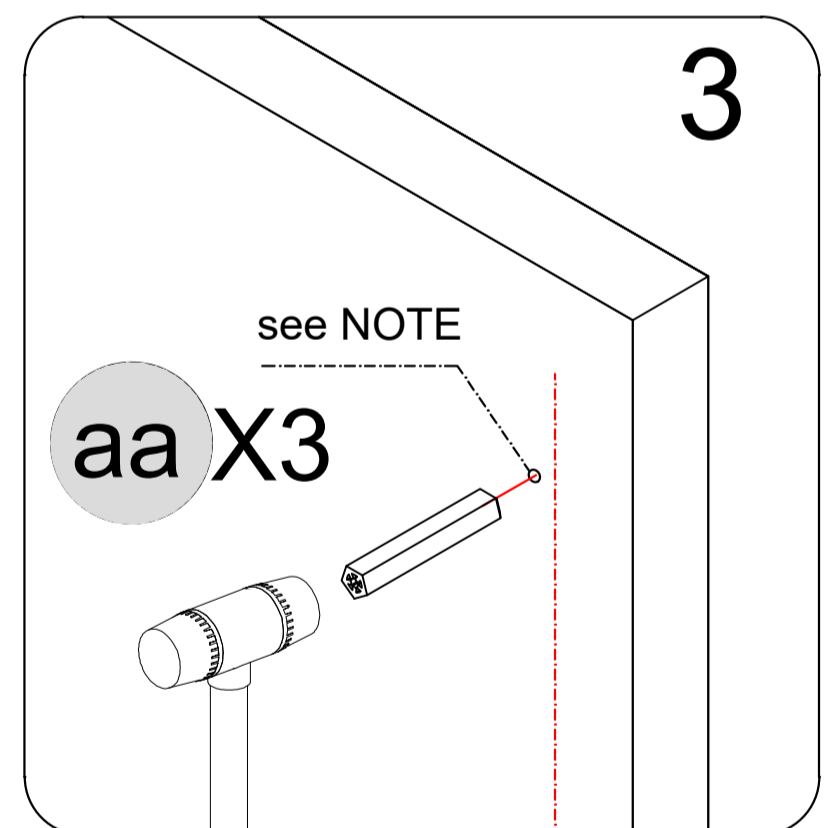
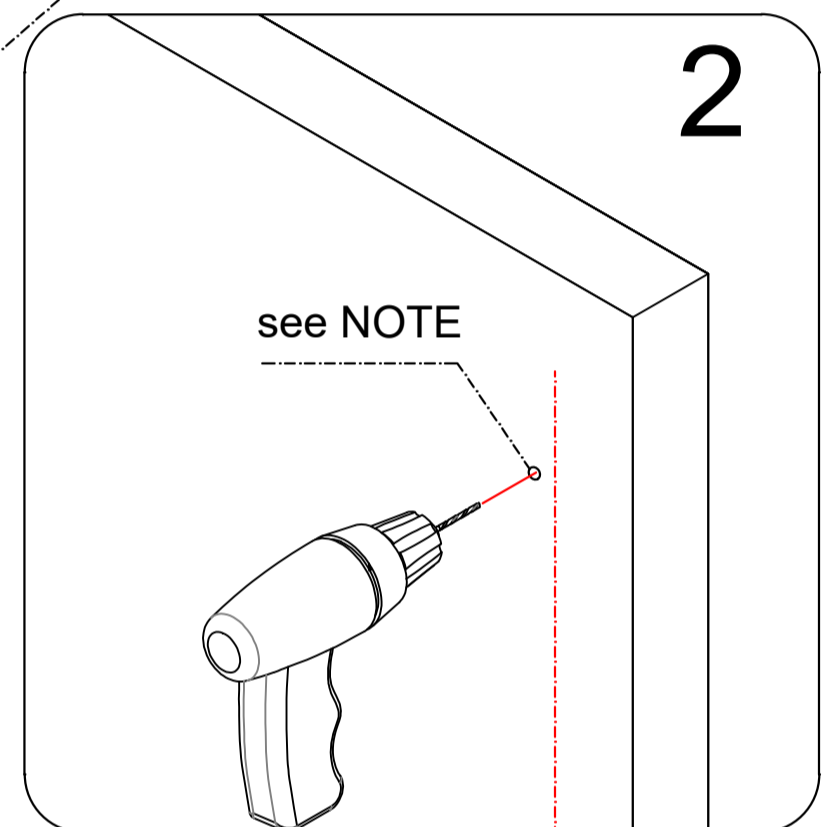
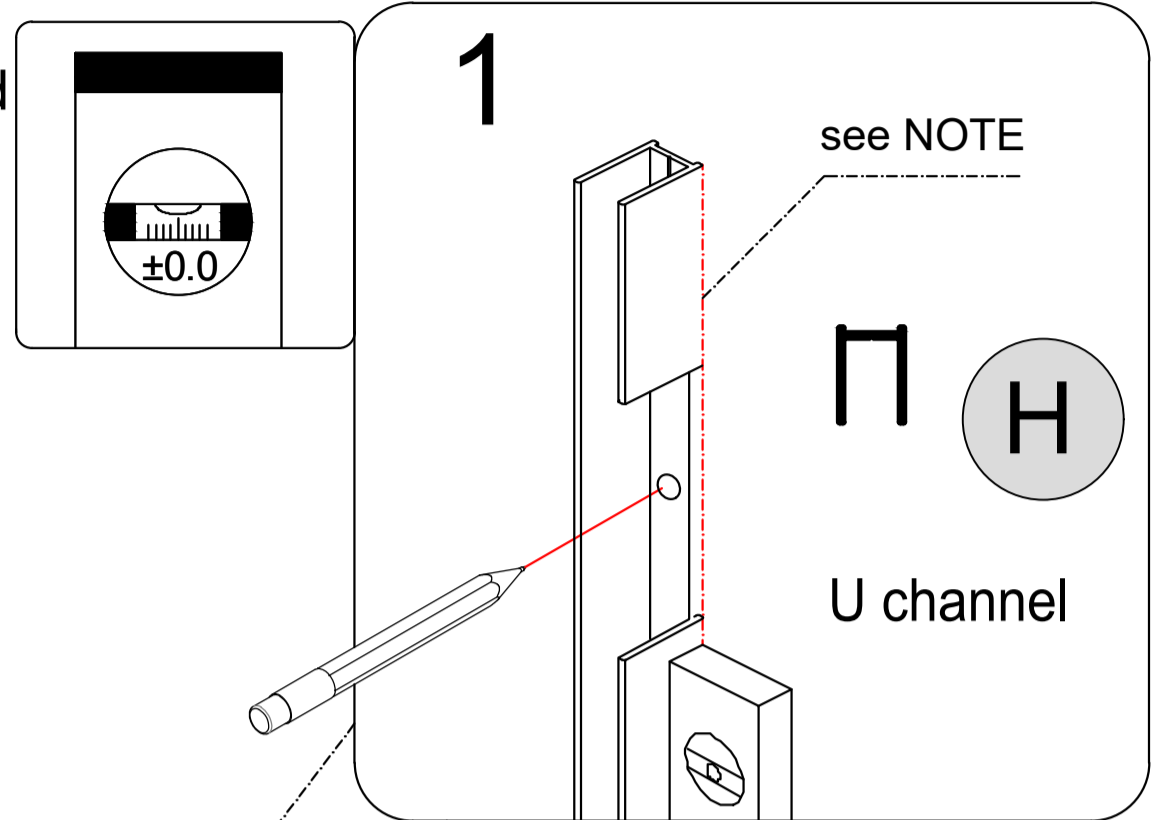
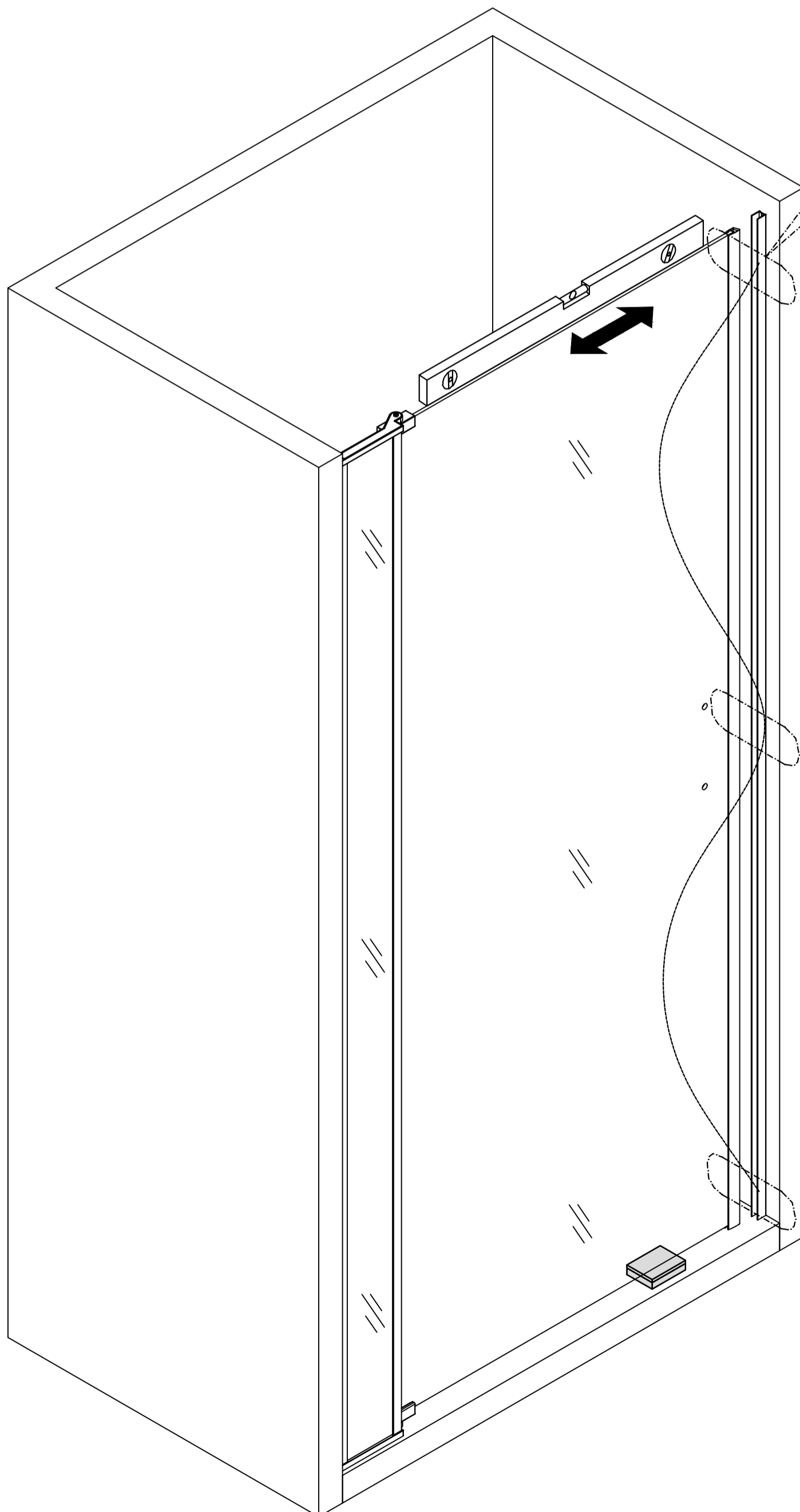
6 U channel (H) Installation

CAUTION: When cutting or drilling metal components or when handling glass, to reduce the risk of personal injury, protective eye wear, gloves, and closed-toe shoes are required.

Detach the **U channel (H)** from the **Magnetic strips profile (G)**. Place the **U channel (H)** to the outlined position and mark the drilling holes through the predrilled holes in the **U channel (H)**.

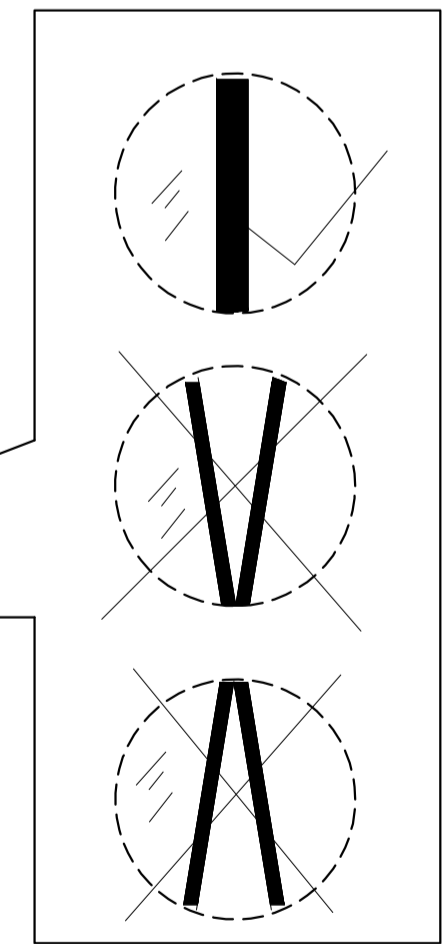
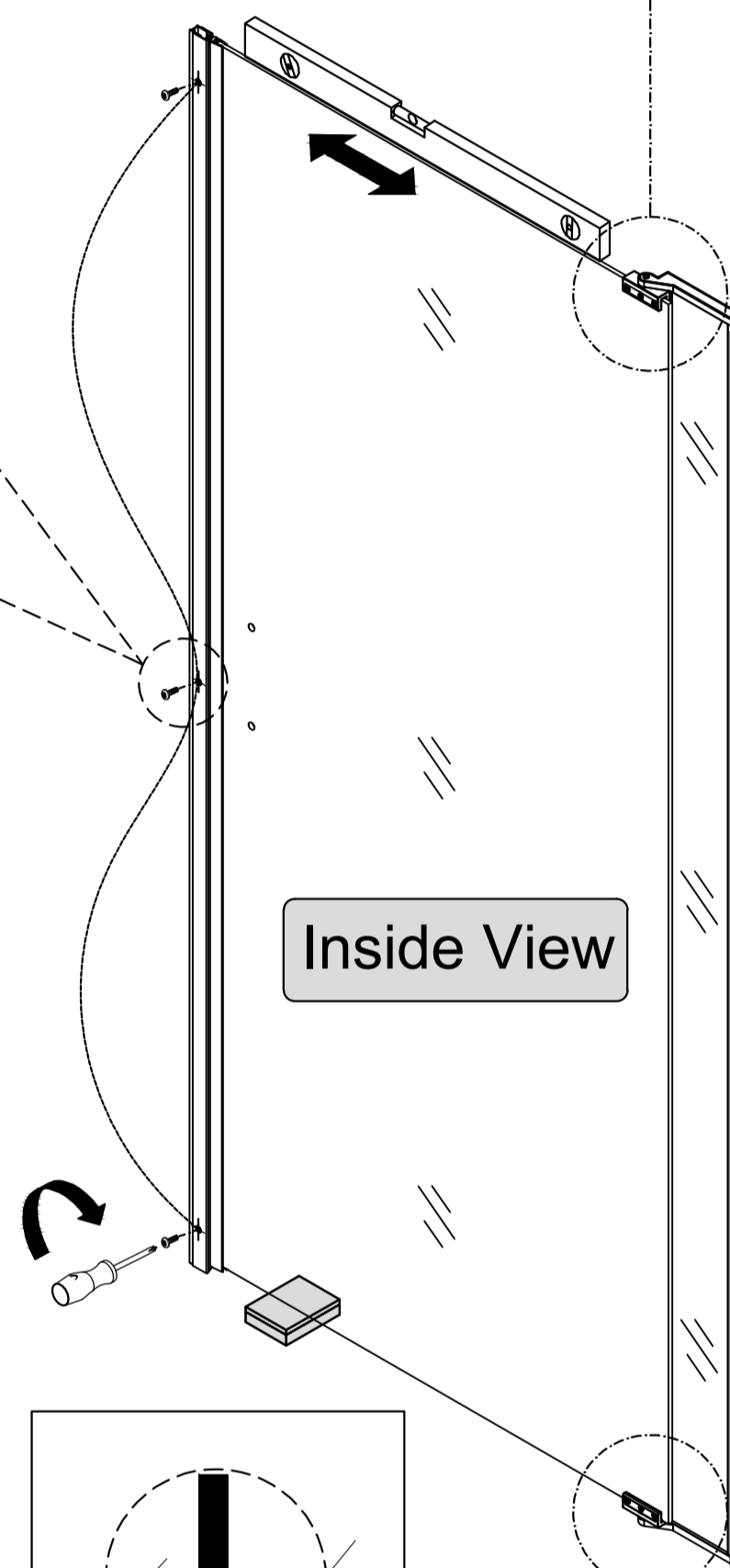
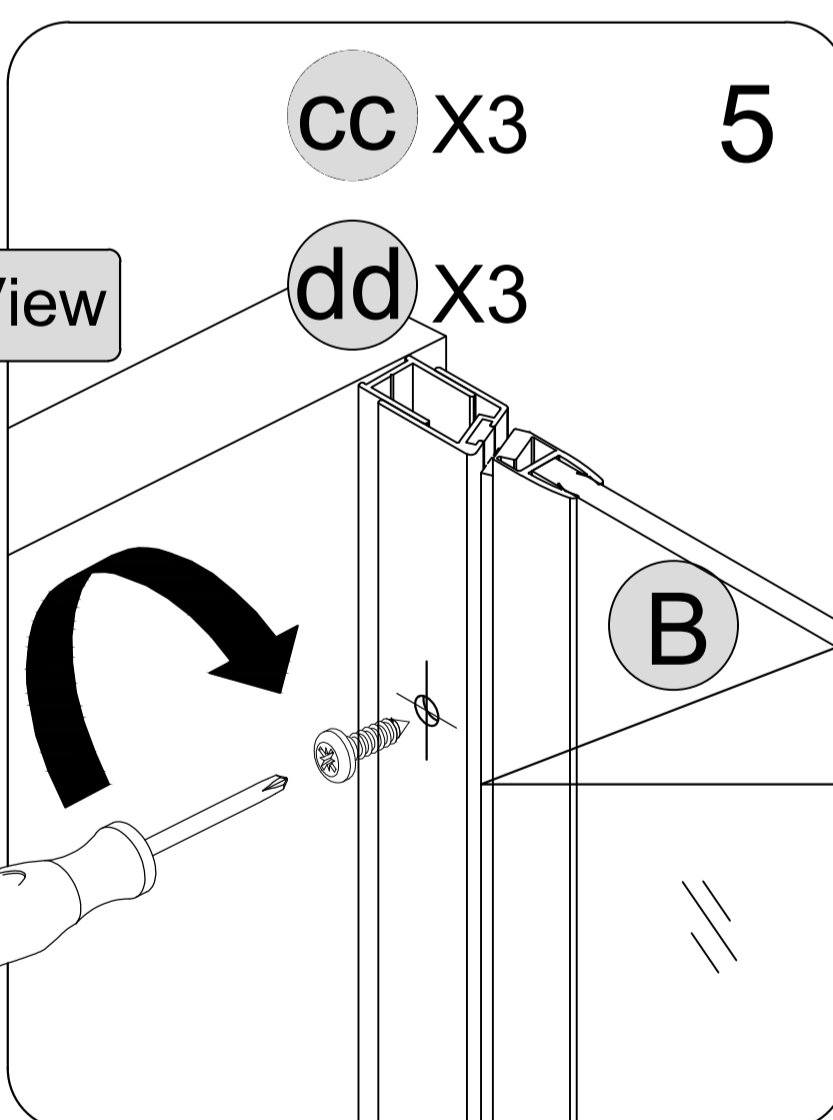
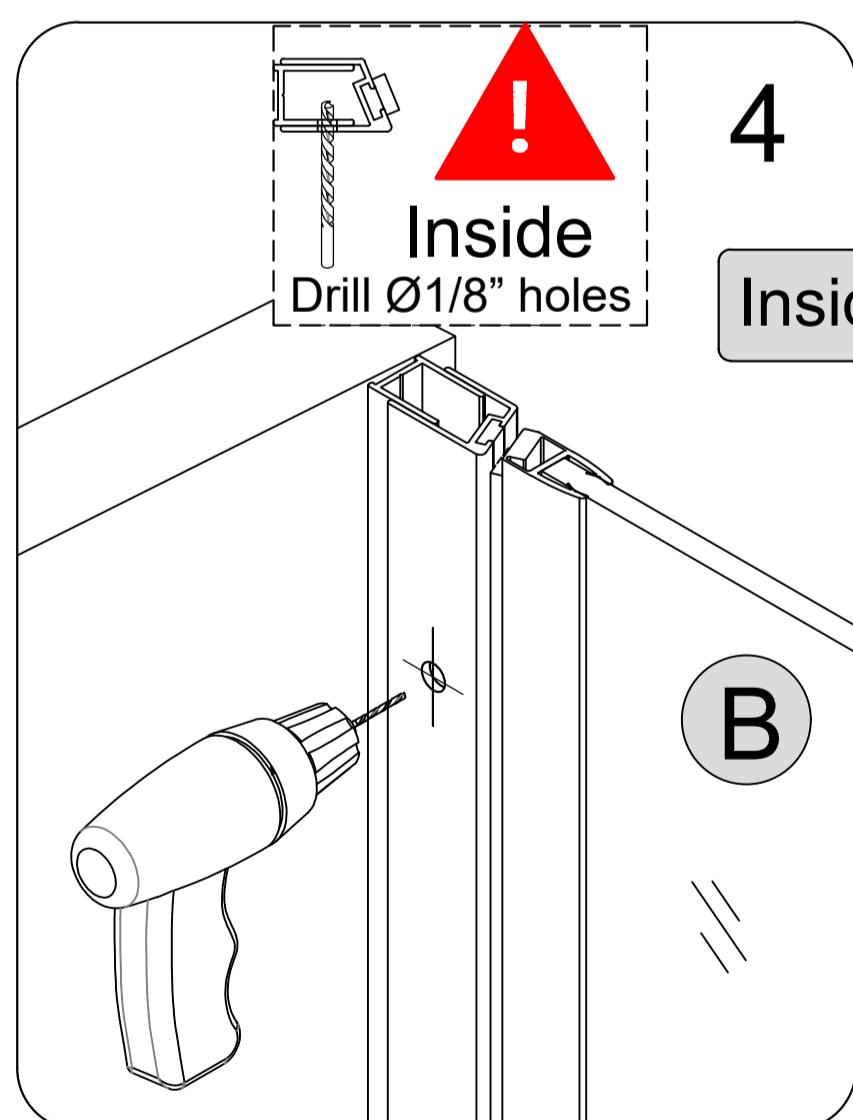
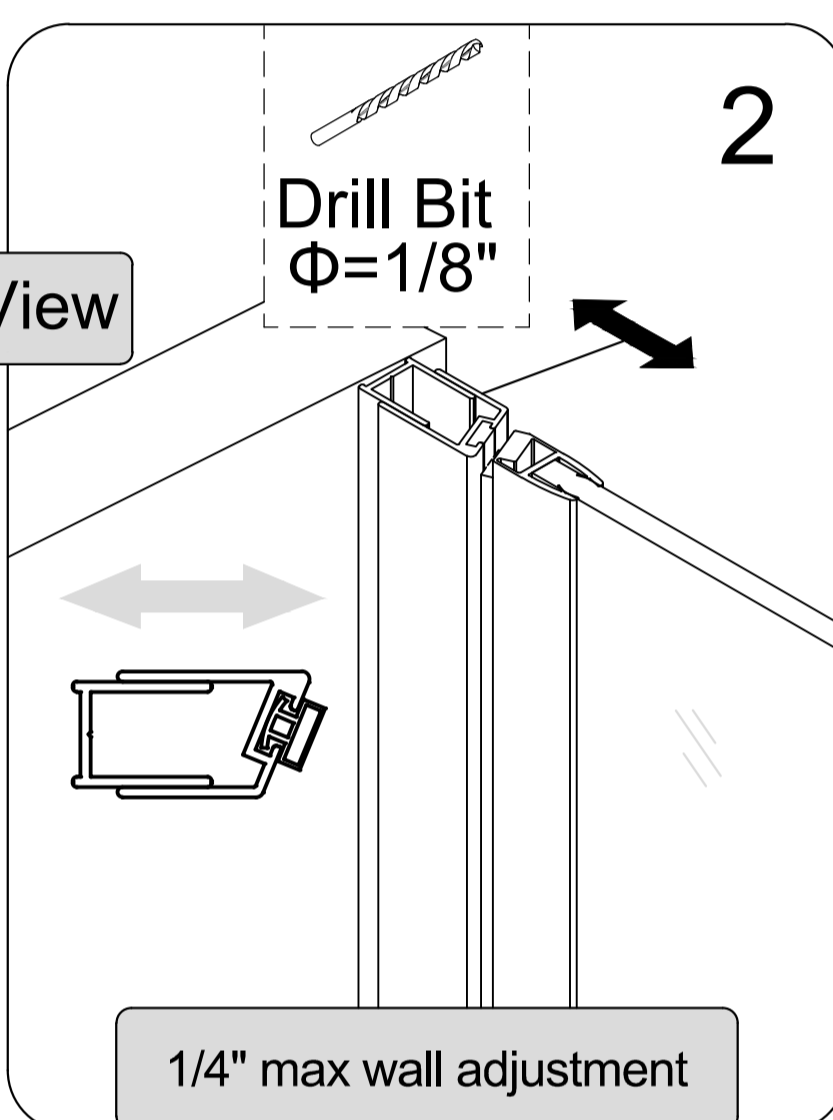
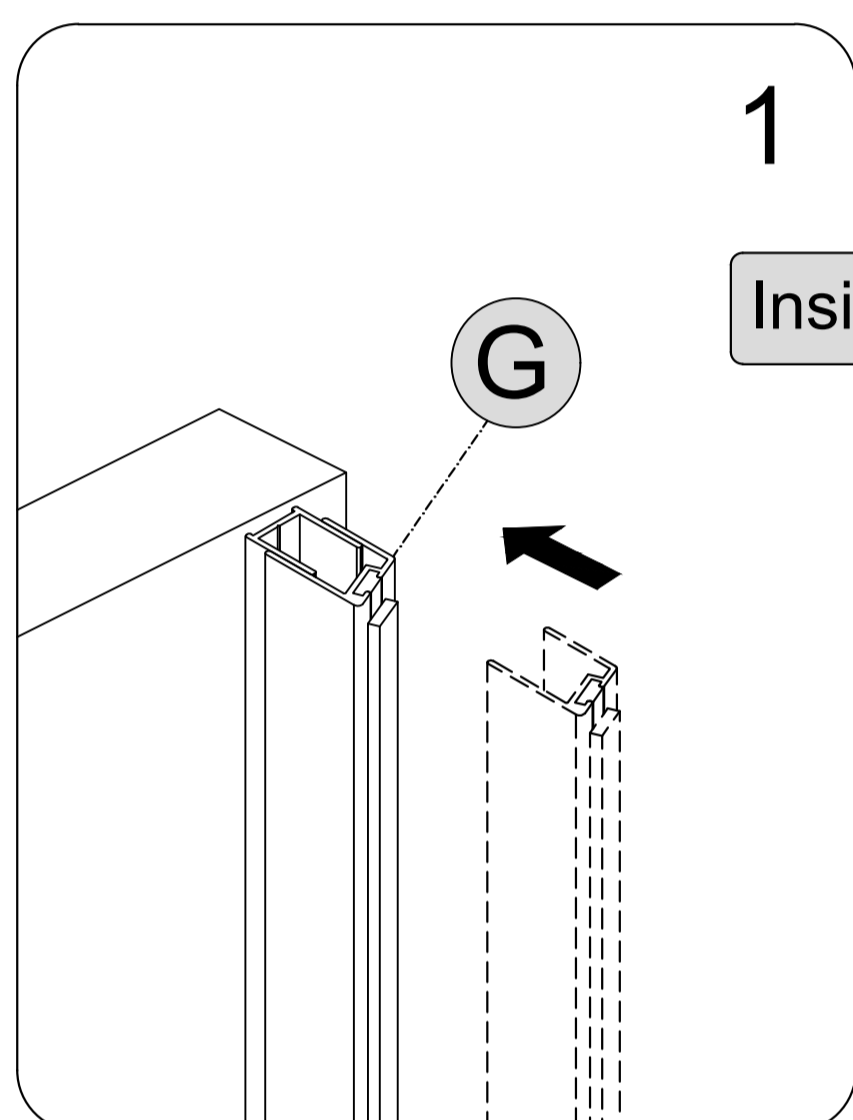
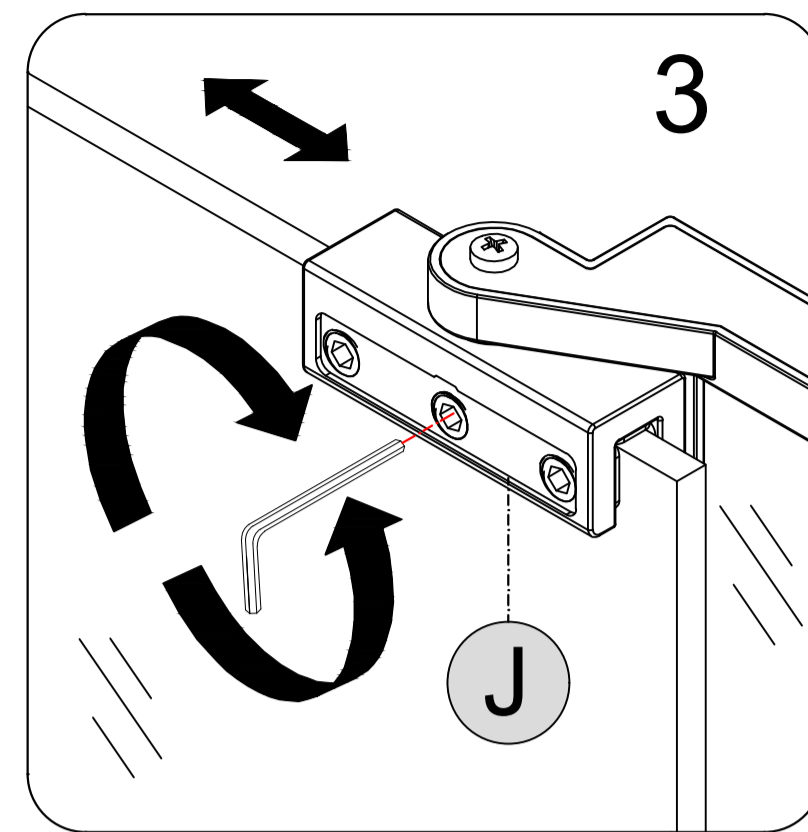
NOTE

- If a Stud is present behind the wall: drill a $\text{Ø}3/16''$ (4mm) hole up to the stud, drill an $\text{Ø}1/8''$ (3mm) pilot hole into the stud and use the ST4.0 x 30mm Pan Head Screws (bb) OR
- If No Stud is present behind the wall: drill a $\text{Ø}1/4''$ (6mm) hole and insert the Wall Anchors (aa) and use the ST4.0 x 30mm Pan Head Screws (bb).



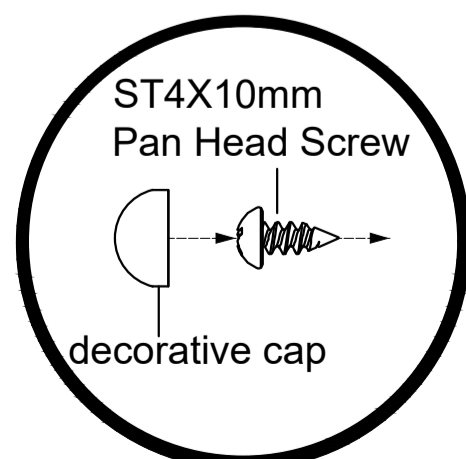
7 Magnetic strips profile (G) Installation

After all final adjustments of the Assembled unit are made, drill three holes from inside of the shower through the first layer of the both the **U channel (H)** and the **Magnetic strips profile (G)** using an $\text{Ø}1/8''$ drill bit.



NOTE

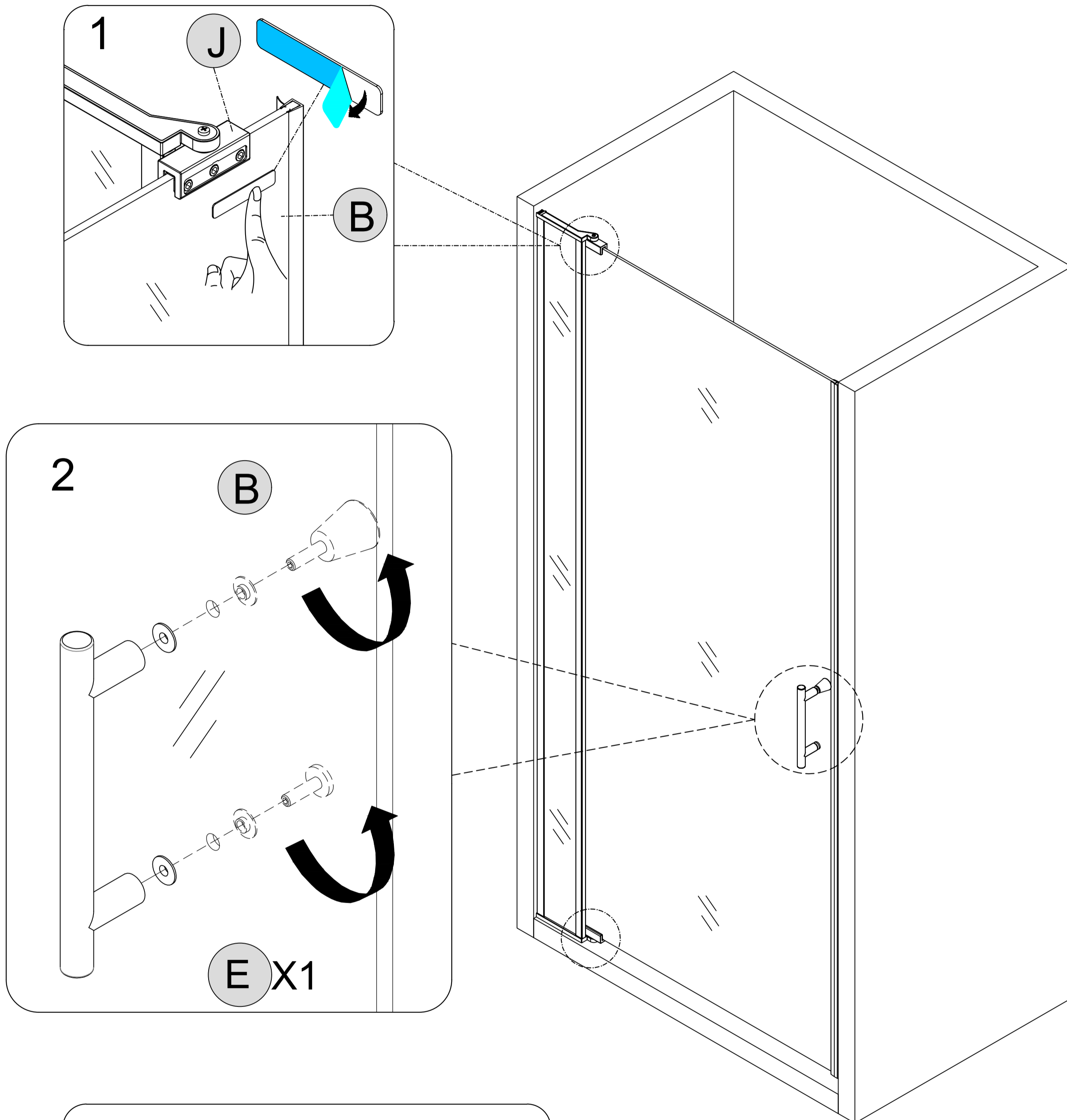
Include the washers when installing the ST4.0×10mm Pan Head Screws (dd) and Decorative Caps (cc).



Make sure the magnetic seals close properly!!

8 Handle (E) Installation

1. Remove backing from Stainless steel decorative sheet in.
2. Attach the **Handle (E)** to the **Glass Door (B)** . Be sure to use all of the supplied rubber gaskets to protect the glass.

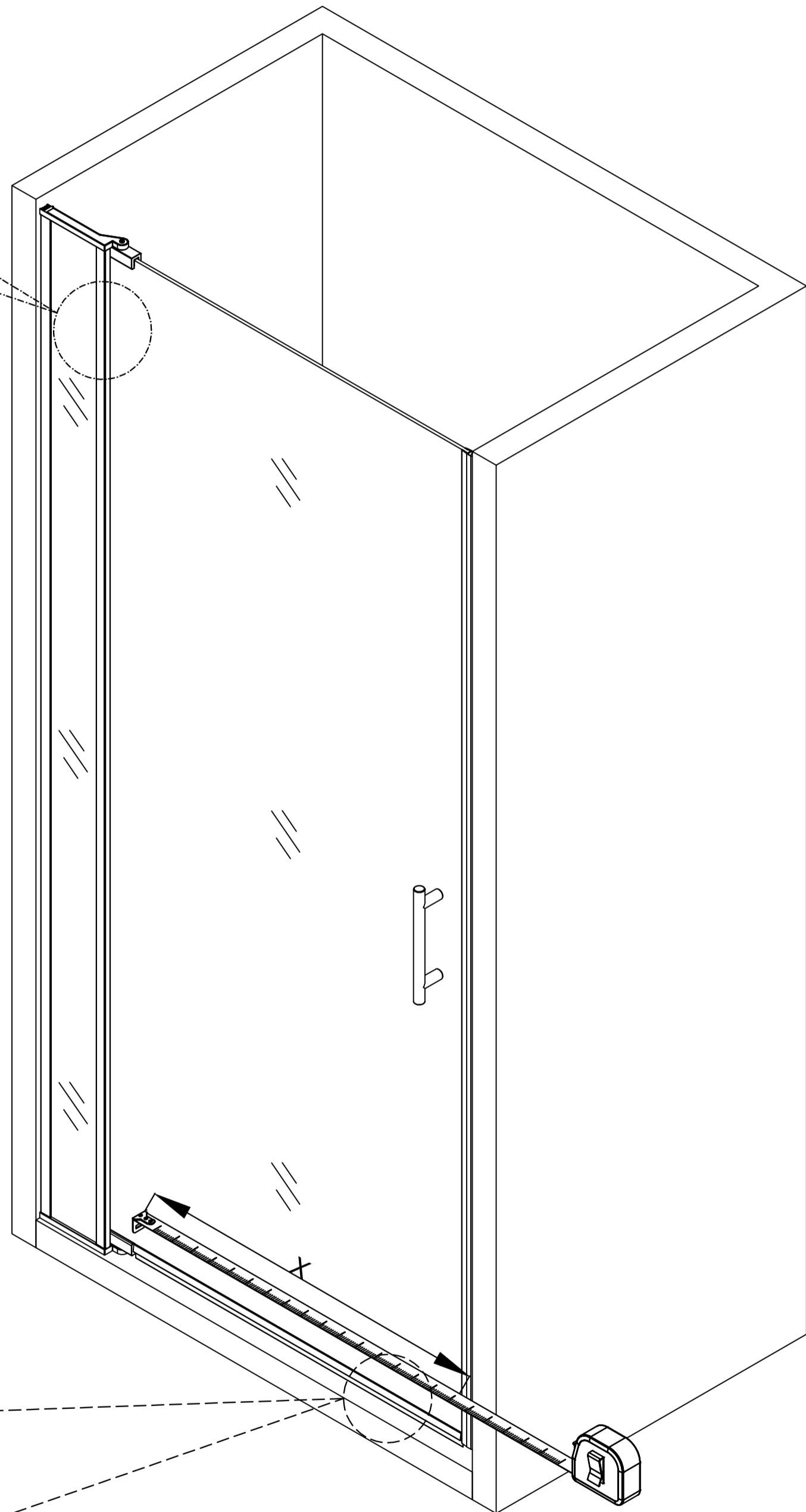
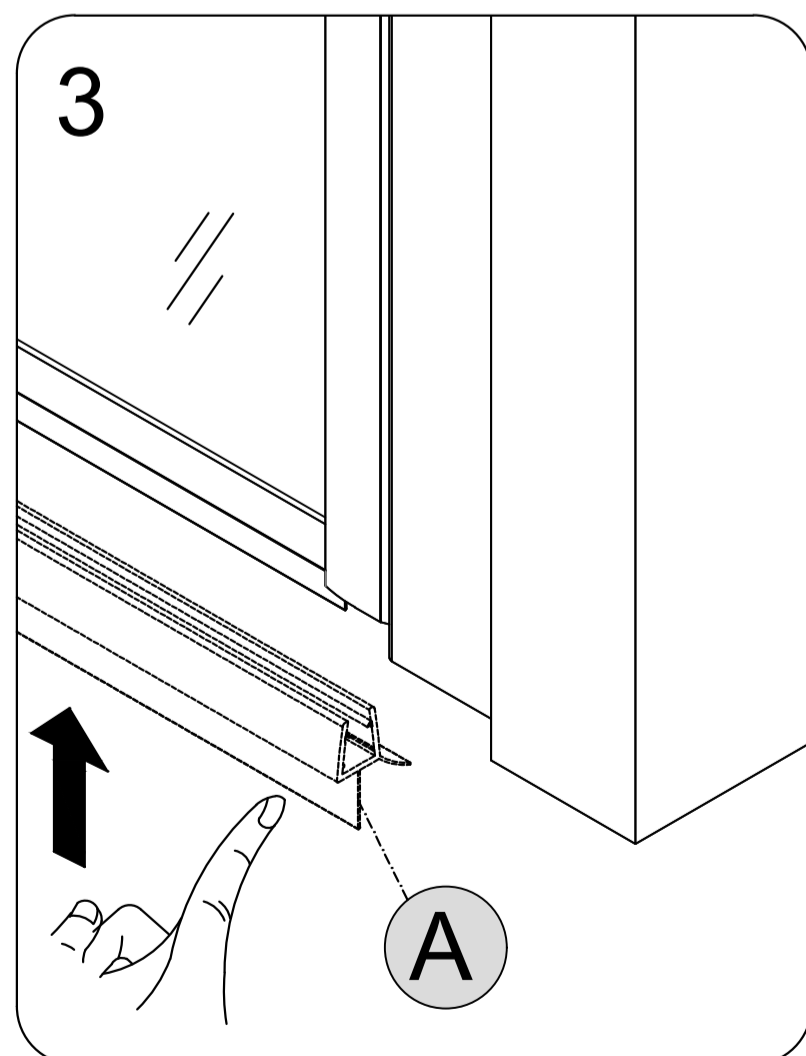
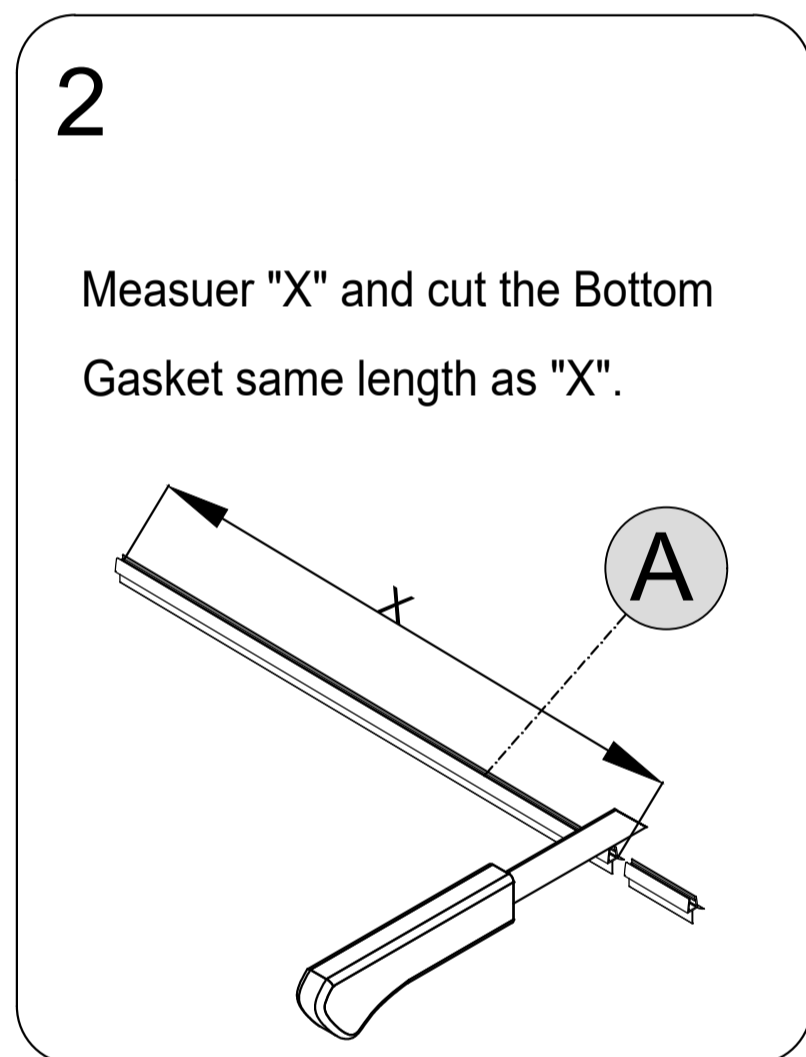
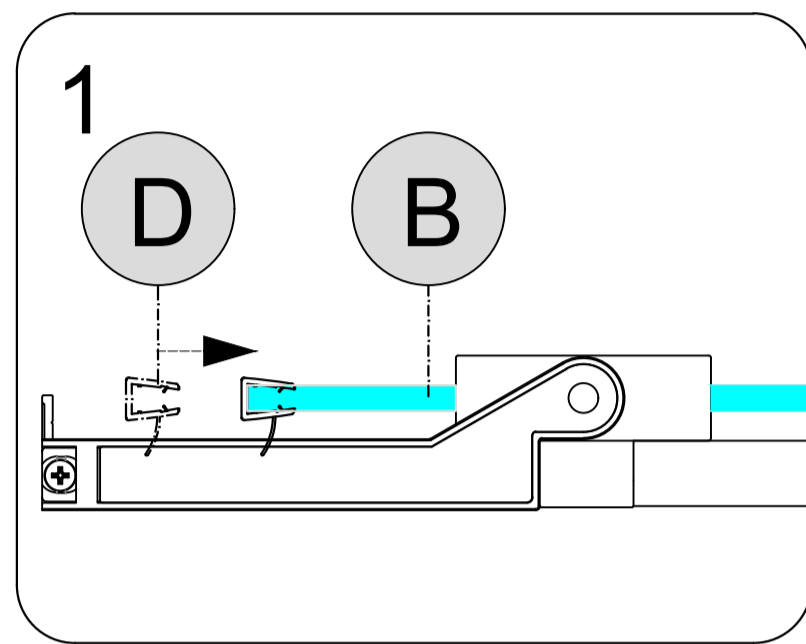


NOTE

Remove the **Plastic mat (f f)** and open the door.

9 Vertical Gasket (D) & Bottom Gasket (A) Installation

Vertical Gasket (D) Install to Door panel (B) as Fig 1.

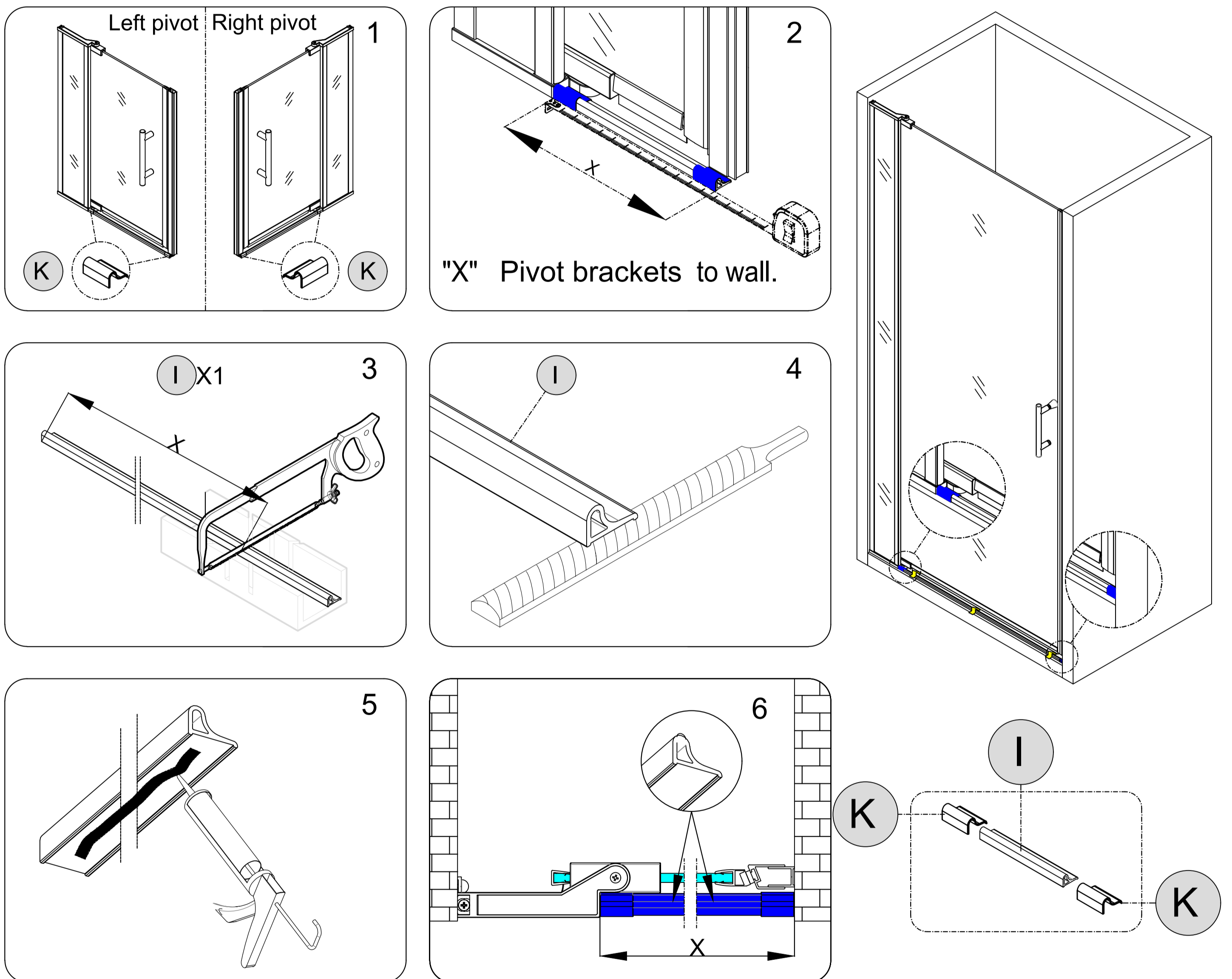


NOTE "X" is from **Pivot assemblies (J)** to **Magnetic strip (F)** on the door.

10 Threshold(I) & Threshold Cap(K) Installation

CAUTION: When cutting or drilling metal components or when handling glass, to reduce the risk of personal injury, protective eye wear, gloves, and closed-toe shoes are required.

1. Installation **Threshold Cap(K)** as Fig 1;
2. Measure "X" and cut the **Alu. Threshold(I)** same length as "(X inch)" as Fig.2 ; Fig.3 and Fig.4;
3. Apply silicone into the groove along the entire length of the **Alu. Threshold(I)** as Fig 5;
4. Combine the **Alu. Threshold(I)** and **Threshold Cap(K)** as Fig.6 .



The large curved lip of the dam strip is intended to face toward the outside of the shower to ensure the flow of water is redirected towards the drain.

11 SEALING



The surfaces need to be clean and free of debris before applying silicone.

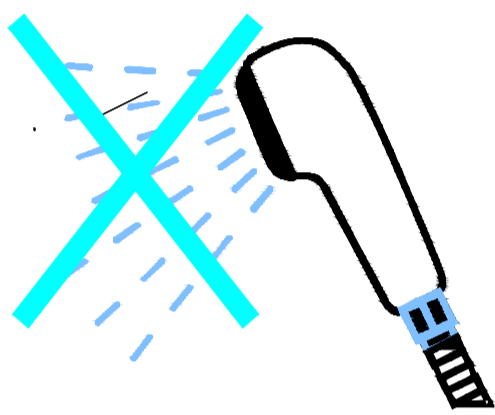


Ensure that the Shower door closes tightly and opens smoothly.
Apply a good quality silicone sealant along the Stationary glass assembly (C) & U channel (H) and Alu. Threshold (I) .

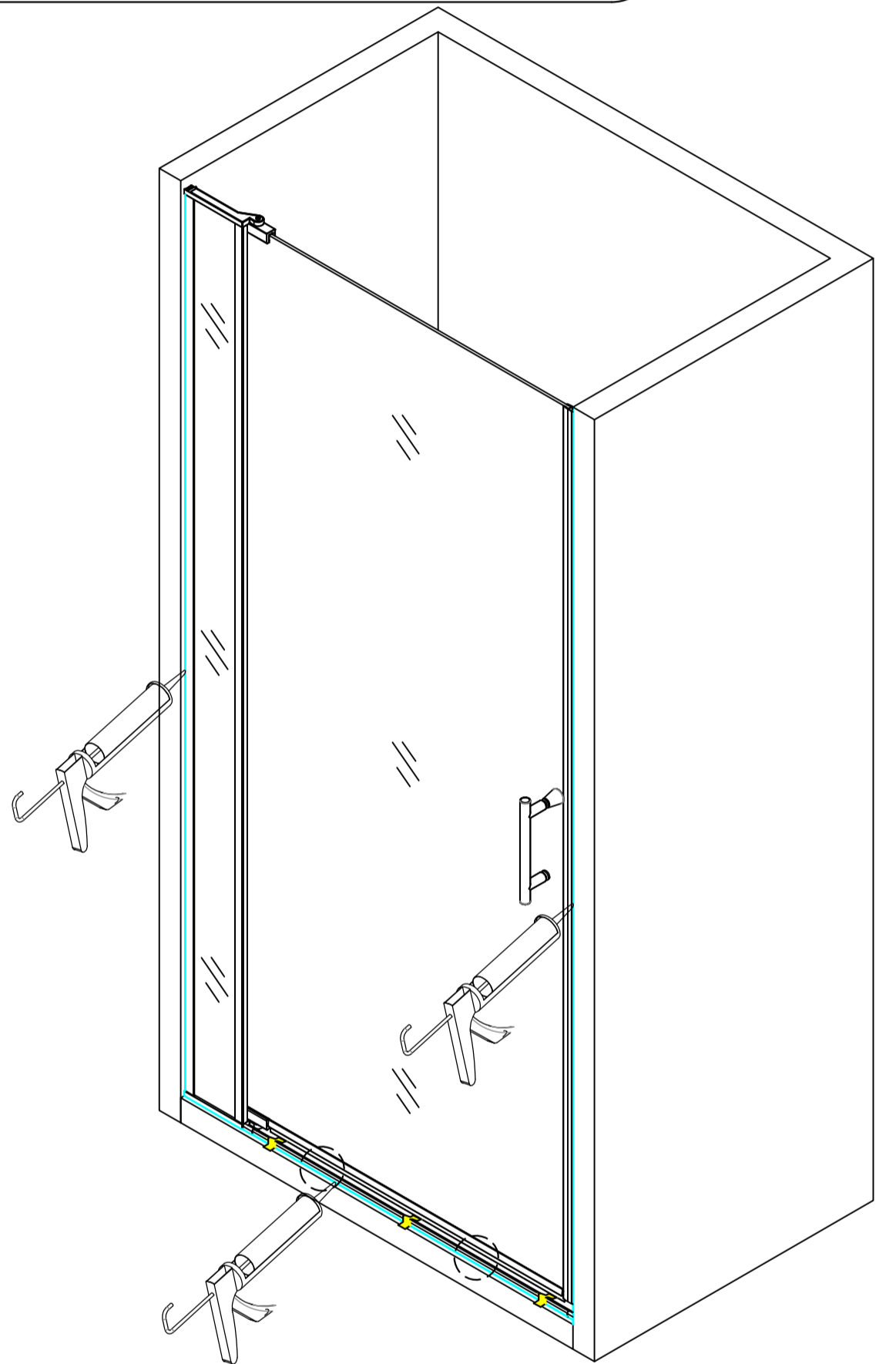
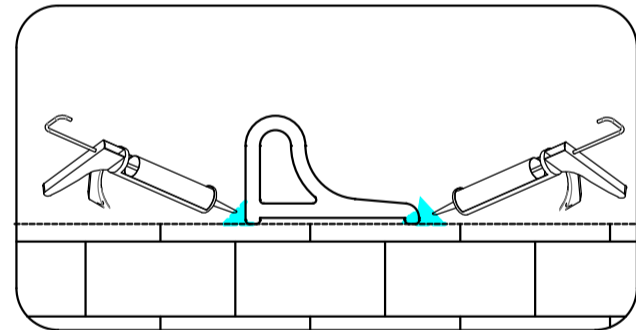
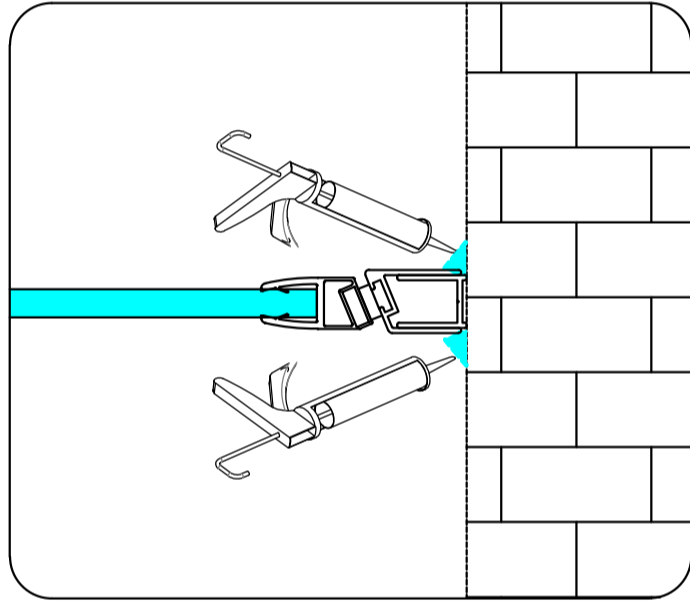
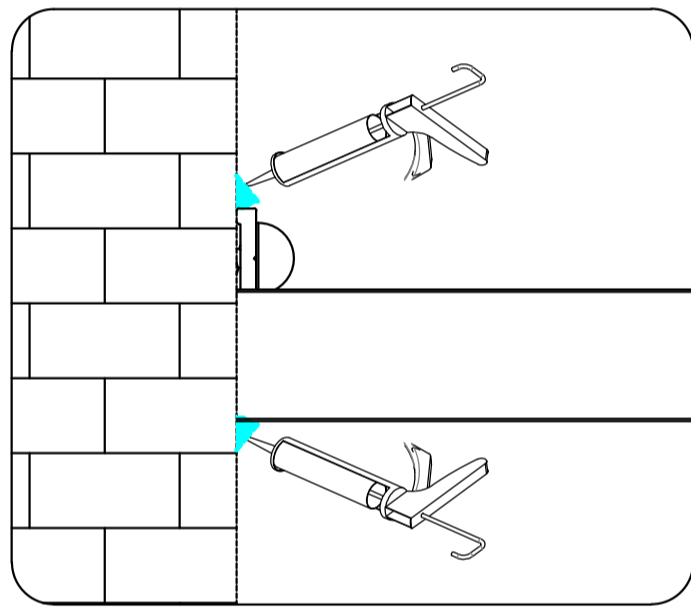


Allow 24 hours for the silicone to cure before using the shower.

24 hour



! Apply Silicone Sealant,(not supplied).



12 Complete.

