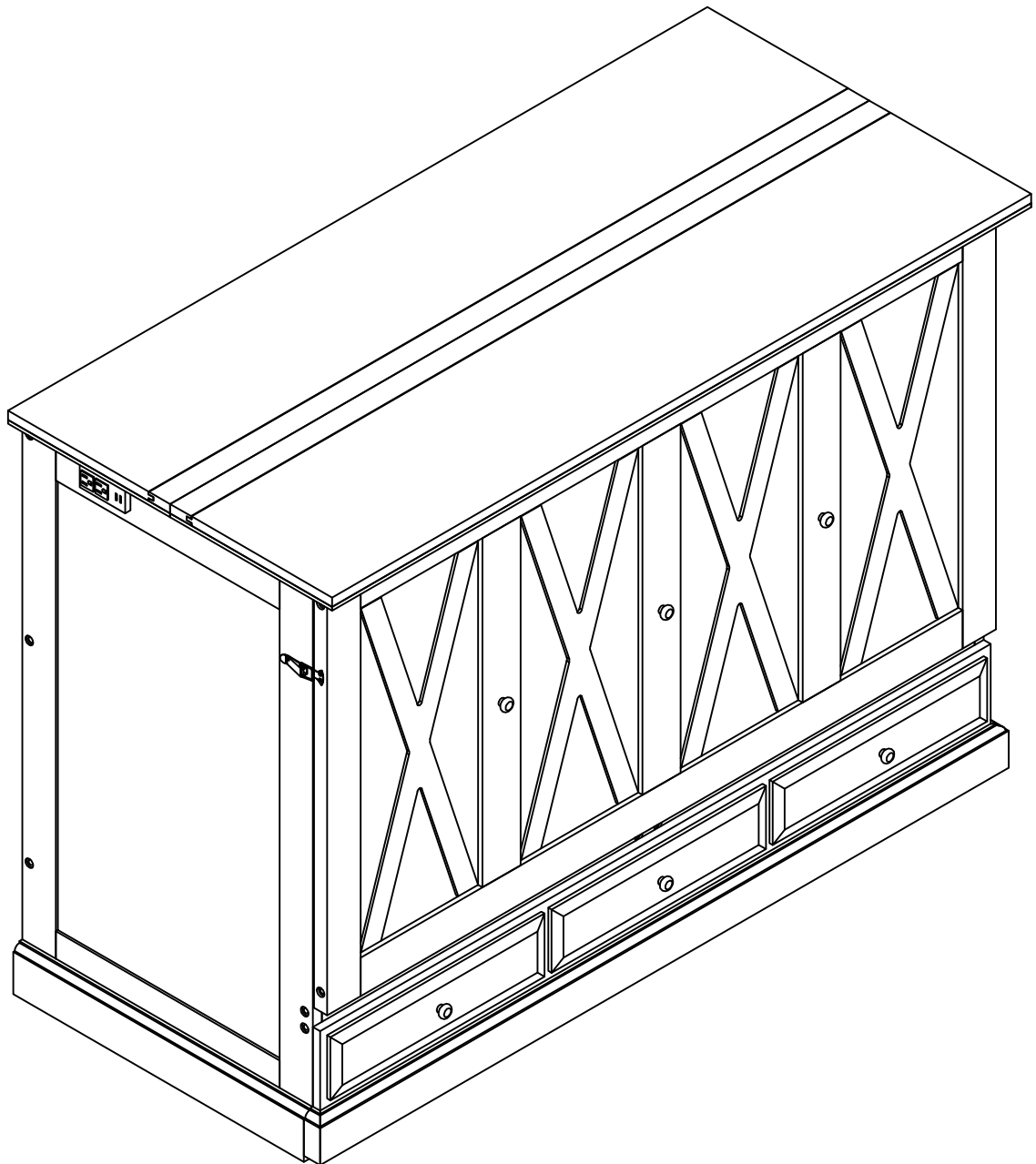
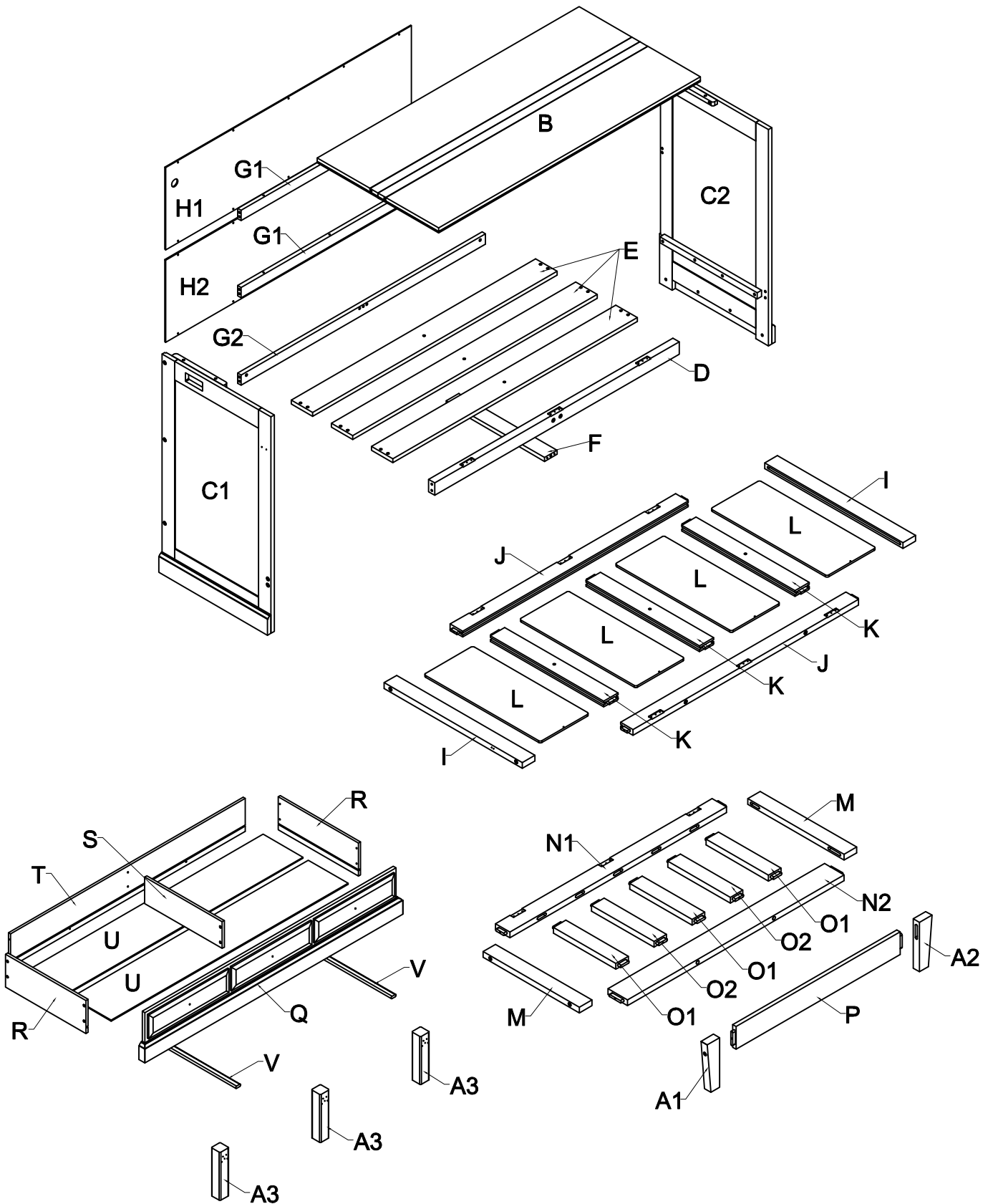


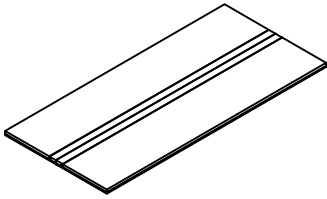
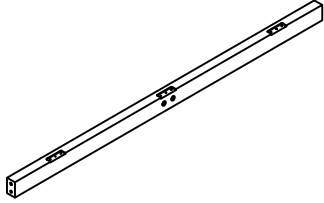
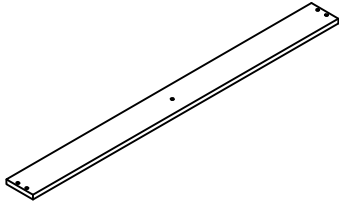
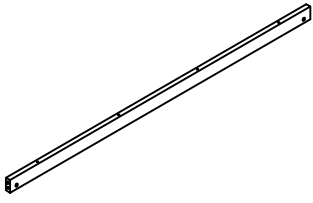
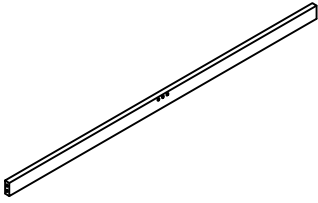
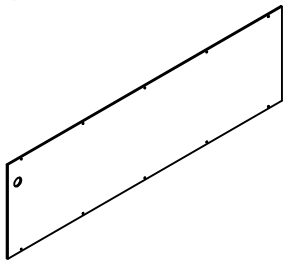
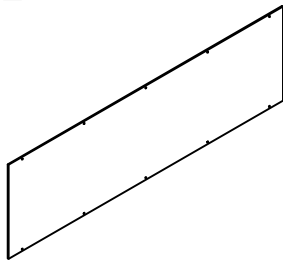
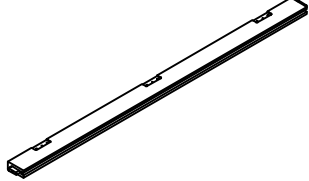
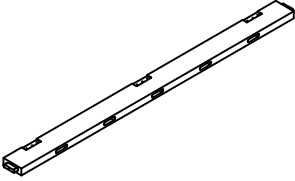
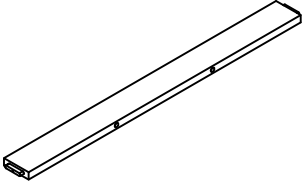
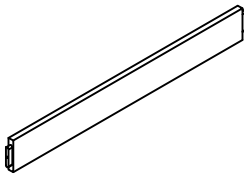
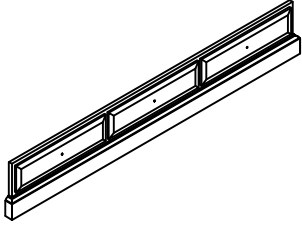
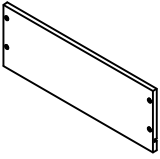
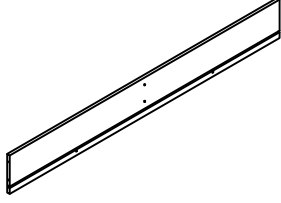
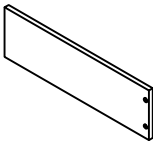
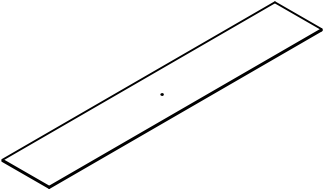
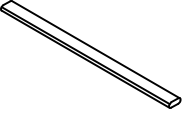
# ASSEMBLY INSTRUCTIONS



# DETAIL VIEW



# BOX 1:

<p><b>B</b></p>  <p>Top panel (1pc)</p>	<p><b>D</b></p>  <p>Front rail (1pc)</p>	<p><b>E</b></p>  <p>Bottom rail (3pcs)</p>	<p><b>G1</b></p>  <p>Top back rail (2pcs)</p>
<p><b>G2</b></p>  <p>Bottom back rail (1pc)</p>	<p><b>H1</b></p>  <p>Back panel (1pc)</p>	<p><b>H2</b></p>  <p>Back panel (1pc)</p>	<p><b>J</b></p>  <p>Horizontal rail (2pcs)</p>
<p><b>N1</b></p>  <p>Horizontal rail (1pc)</p>	<p><b>N2</b></p>  <p>Horizontal rail (1pc)</p>	<p><b>P</b></p>  <p>Support leg- top (1pc)</p>	<p><b>Q</b></p>  <p>Front drawers (1pc)</p>
<p><b>R</b></p>  <p>Side drawers (2pcs)</p>	<p><b>T</b></p>  <p>Back drawers (1pc)</p>	<p><b>S</b></p>  <p>Middle drawers (1pc)</p>	<p><b>U</b></p>  <p>Bottom drawers (2pcs)</p>
<p><b>V</b></p>  <p>Support drawer (2pcs)</p>			

# BOX 2:

A1



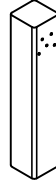
Front leg - left (1pc)

A2



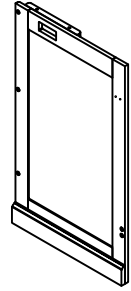
Front leg - right (1pc)

A3



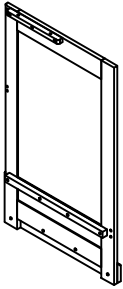
Extra leg (3pcs)

C1



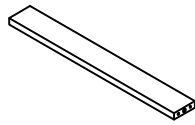
Side frame - left (1pc)

C2



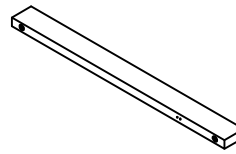
Side frame - right (1pc)

F



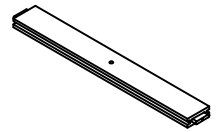
Support bottom rail (1pc)

I



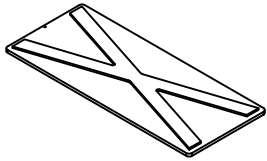
Vertical side rail (2pcs)

K



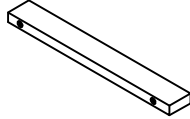
Vertical bar (3pcs)

L



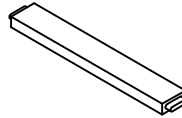
Front panel (4pcs)

M



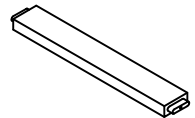
Vertical side rail (2pcs)

O1



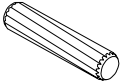
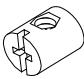

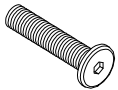


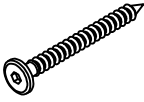
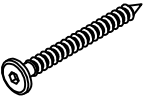
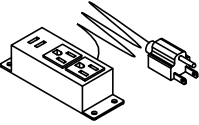
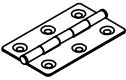

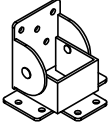
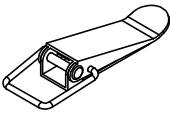

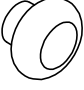

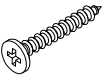




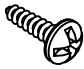
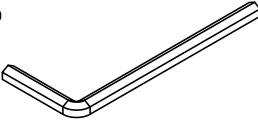
Vertical bar (3pcs)

O2



Vertical bar (2pcs)

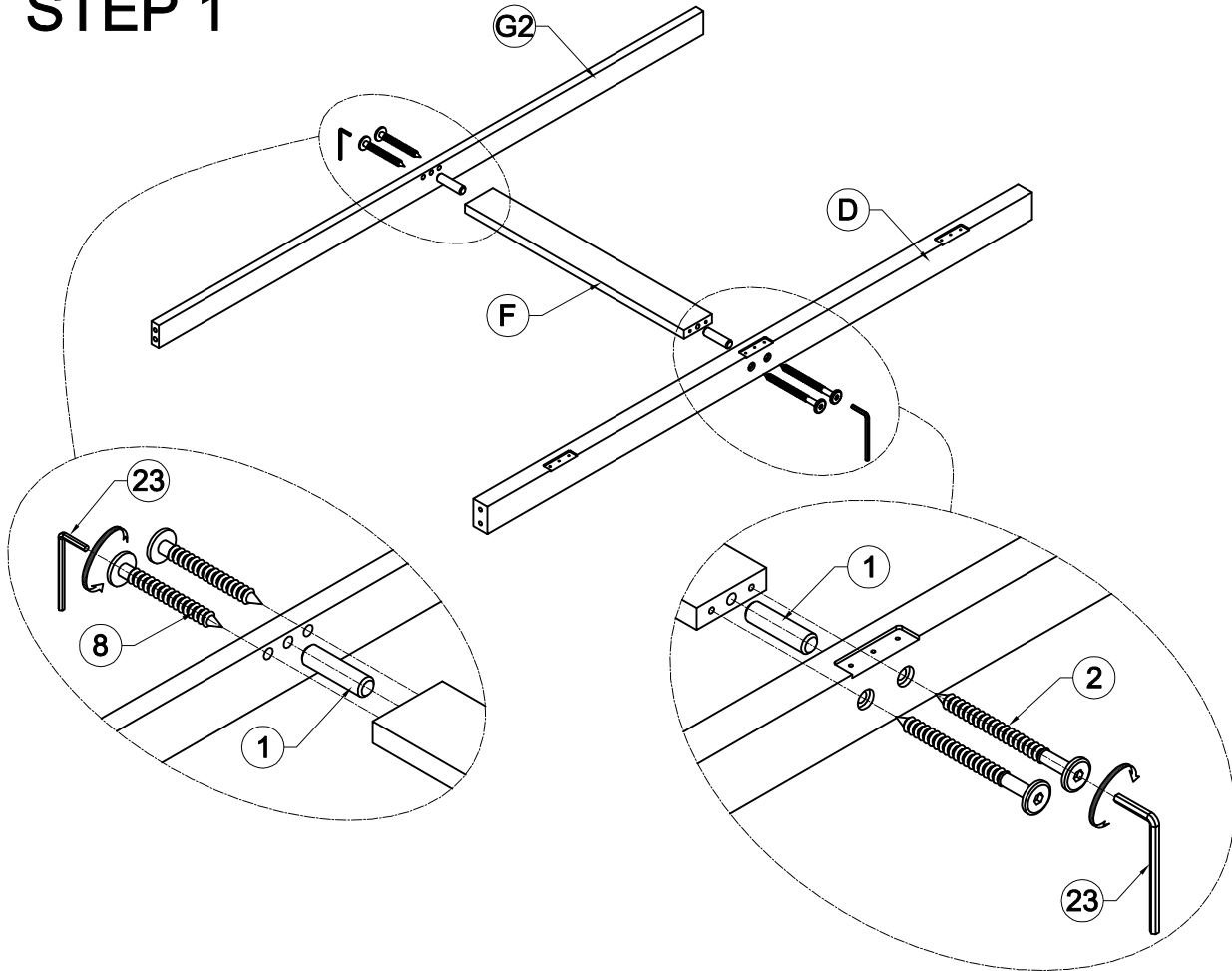
# HARDWARE LIST:

<p>1</p>  <p>Wood dowel Ø8 * 30 - 8pcs</p>	<p>2</p>  <p>Horizontal - Hold bolts Ø1/4" - 10pcs</p>	<p>3</p>  <p>Hex - Head bolts Ø1/4" * 60 - 10pcs</p>	<p>4</p>  <p>Hex - Head bolts Ø1/4" * 30 - 4pcs</p>
<p>5</p>  <p>Hexagonal bolts catch wood Ø1/4" * 120 - 2pcs</p>	<p>6</p>  <p>Hexagonal bolts catch wood Ø1/4" * 90 - 16pcs</p>	<p>7</p>  <p>Hexagonal bolts catch wood Ø1/4" * 70 - 2pcs</p>	<p>8</p>  <p>Hexagonal bolts catch wood Ø1/4" * 50 - 2pcs</p>
<p>9</p>  <p>Power outlet - 1pc</p>	<p>10</p>  <p>Hinge - 6pcs</p>	<p>11</p>  <p>Wheel - 4pcs</p>	<p>12</p>  <p>Folded patt - 5pcs</p>
<p>13</p>  <p>Duckbill lock A - 2pcs</p>	<p>14</p>  <p>Duckbill lock B - 2pcs</p>	<p>15</p>  <p>Handle - 6pcs</p>	<p>16</p>  <p>Round crews Ø5/32" * 22 - 6pcs</p>
<p>17</p>  <p>Wood crews M4 * 45 - 4pcs</p>	<p>18</p>  <p>Wood crews M4 * 30 - 15pcs</p>	<p>19</p>  <p>Wood crews M4 * 25 - 14pcs</p>	<p>20</p>  <p>Wood crews M3.5 * 15 - 44pcs</p>
<p>21</p>  <p>Round wood crews M3.5 * 20 - 55pcs</p>	<p>22</p>  <p>Round wood crews M3.5 * 15 - 34pcs</p>	<p>23</p>  <p>Allen key K4 - 2pcs</p>	



Assembly Tools Required (Not Included)

# STEP 1

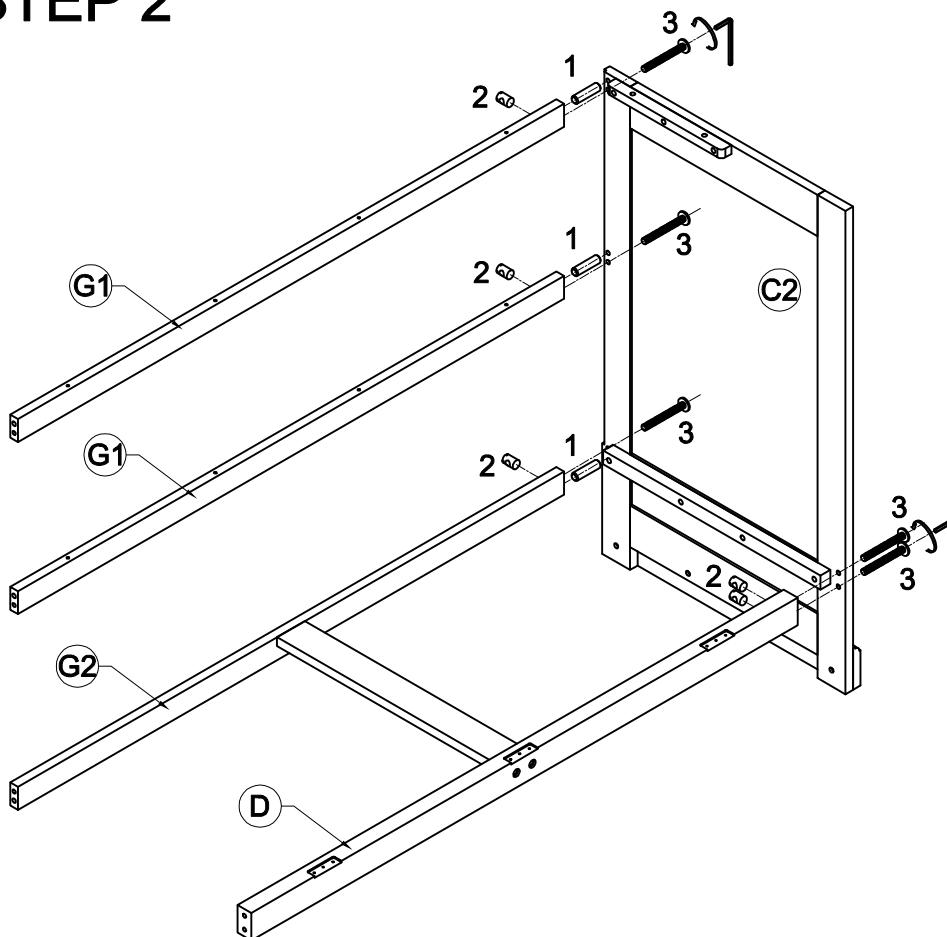


1  
Wood dowel  
Ø8 \* 30 - 2pcs

7  
Hexagonal bolts catch wood  
Ø1/4" \* 70 - 2pcs

8  
Hexagonal bolts catch wood  
Ø1/4" \* 50 - 2pcs

# STEP 2

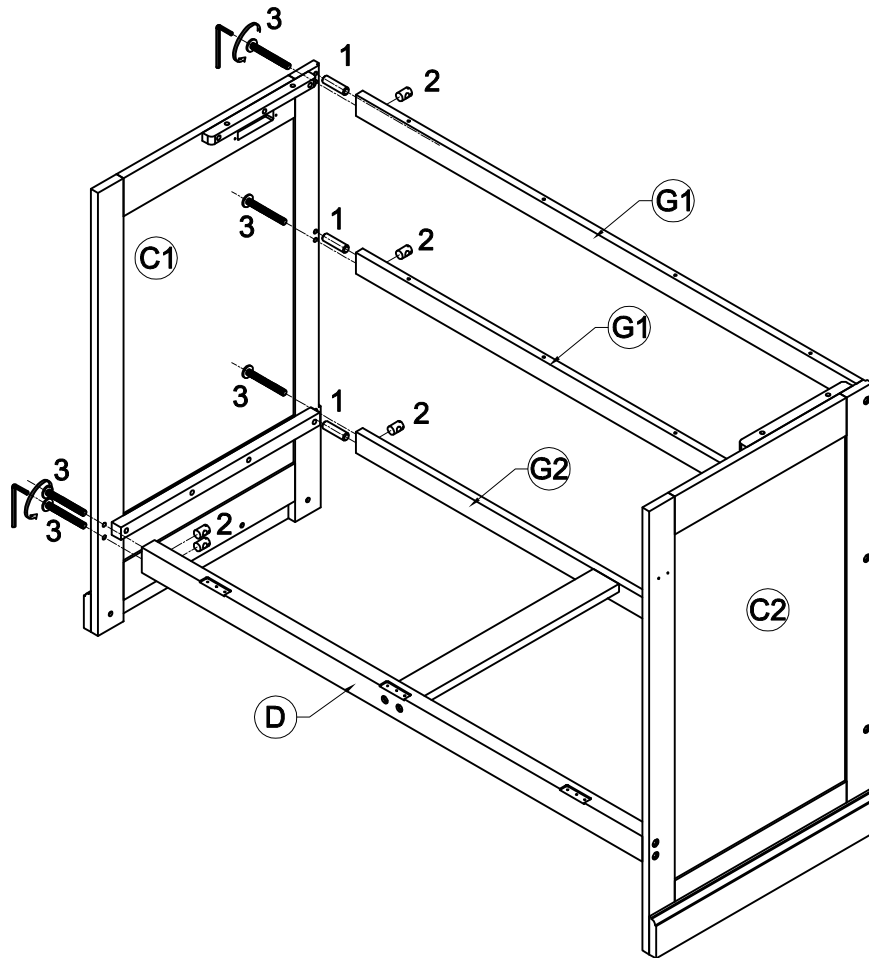


1  
Wood dowel  
Ø8 \* 30 - 3pcs

2  
Horizontal - Hold bolts  
Ø1/4" - 5pcs

3  
Hex - Head bolts  
Ø1/4" \* 60 - 5pcs

# STEP 3



1



Wood dowel  
Ø8 \* 30 - 3pcs

2



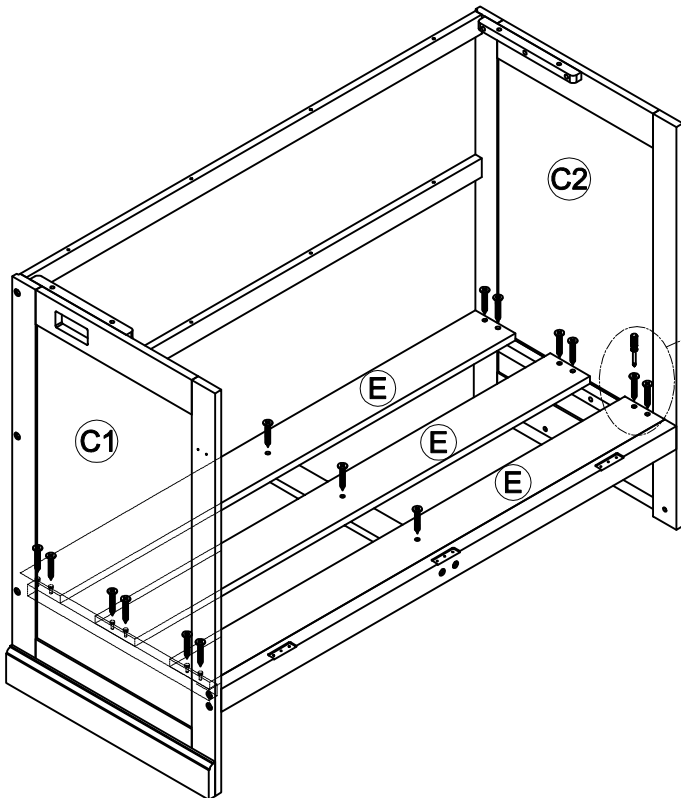
Horizontal - Hold bolts  
Ø1/4" - 5pcs

3



Hex - Head bolts  
Ø1/4" \* 60 - 5pcs

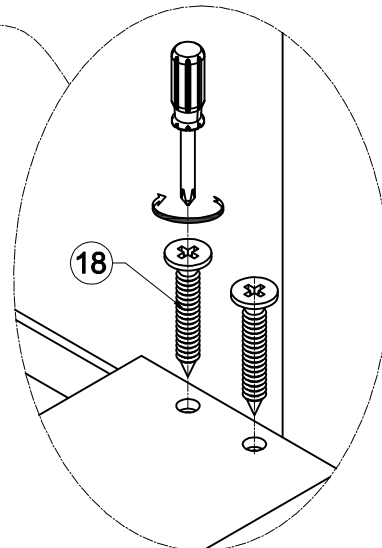
# STEP 4



18



Wood screws  
M4 \* 30 - 15pcs



# STEP 5

4

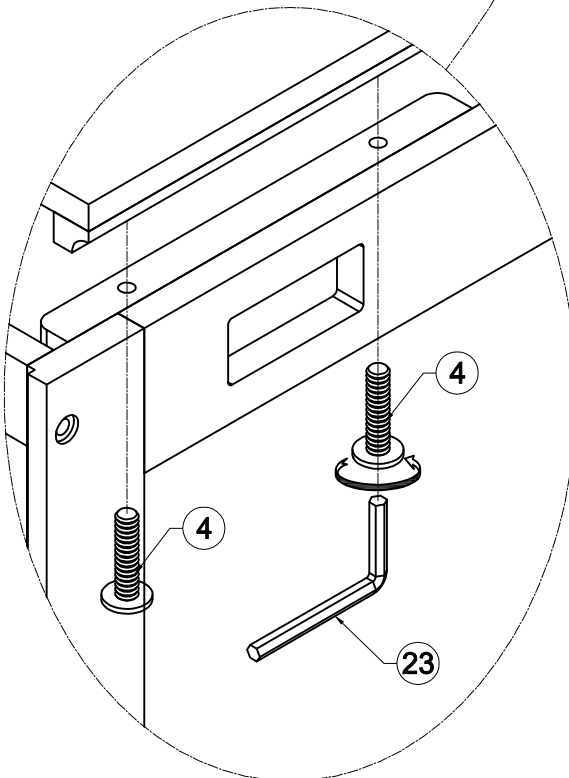
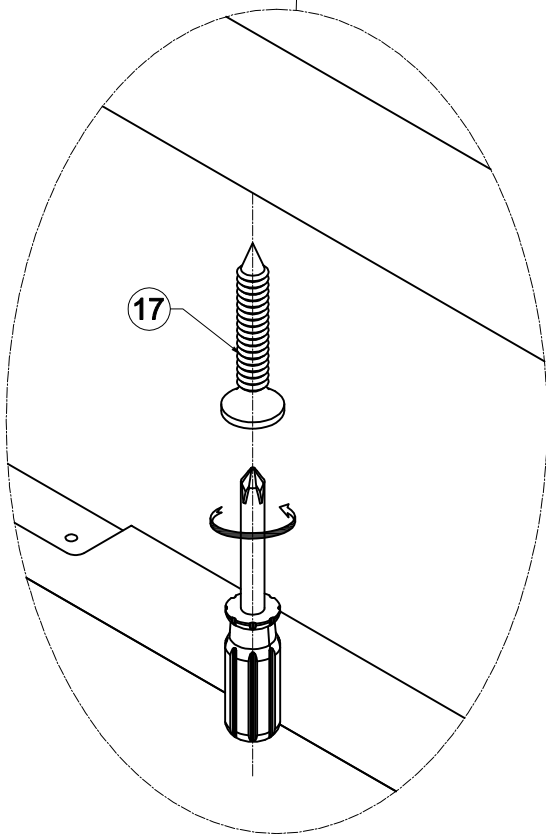
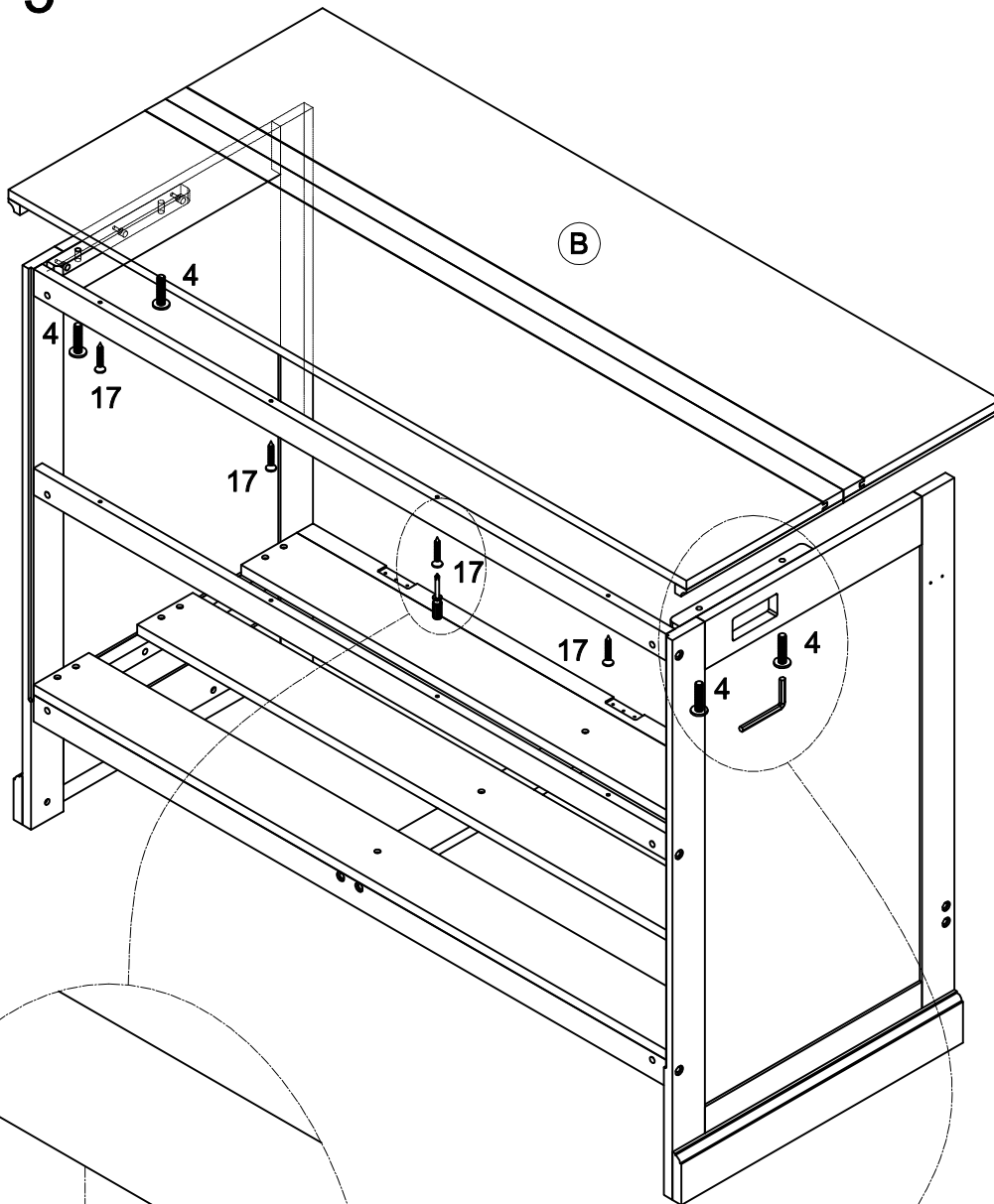


Hex - Head bolts  
Ø1/4" \* 30 - 4pcs

17



Wood crews  
M4 \* 45 - 4pcs

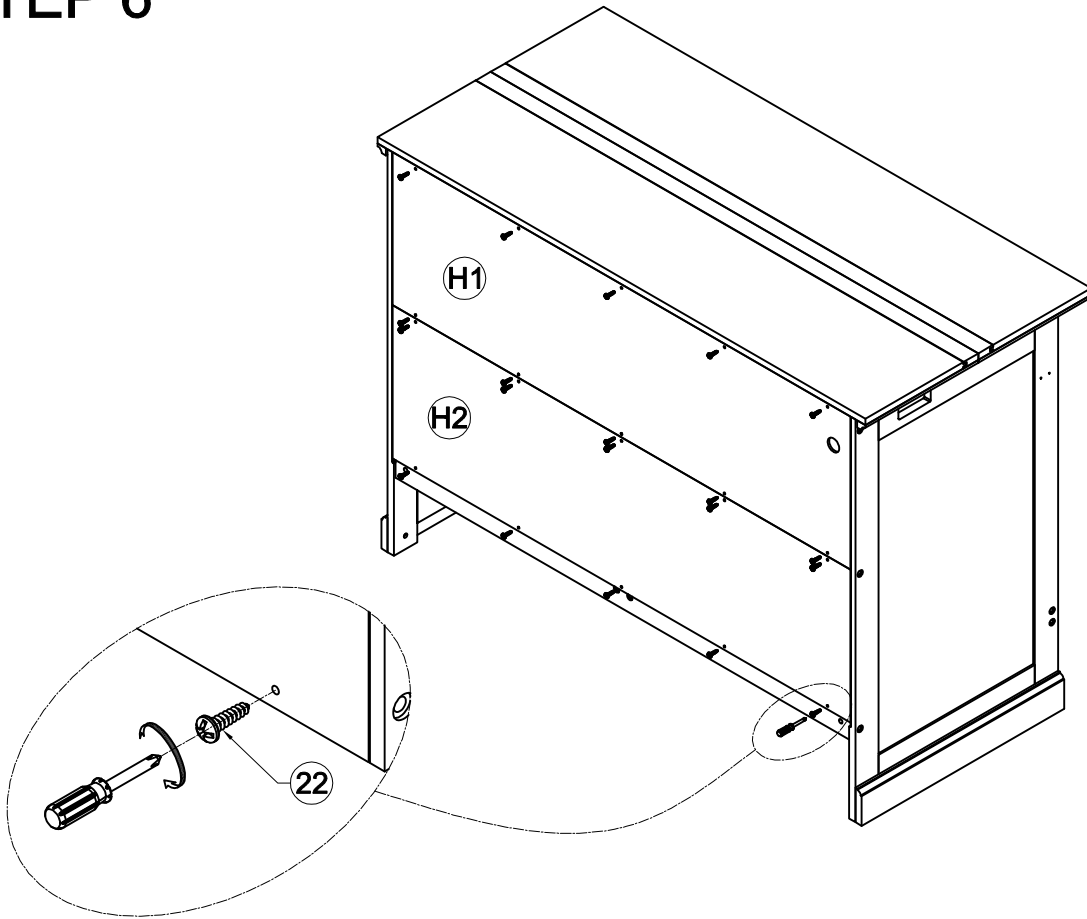


# STEP 6

22



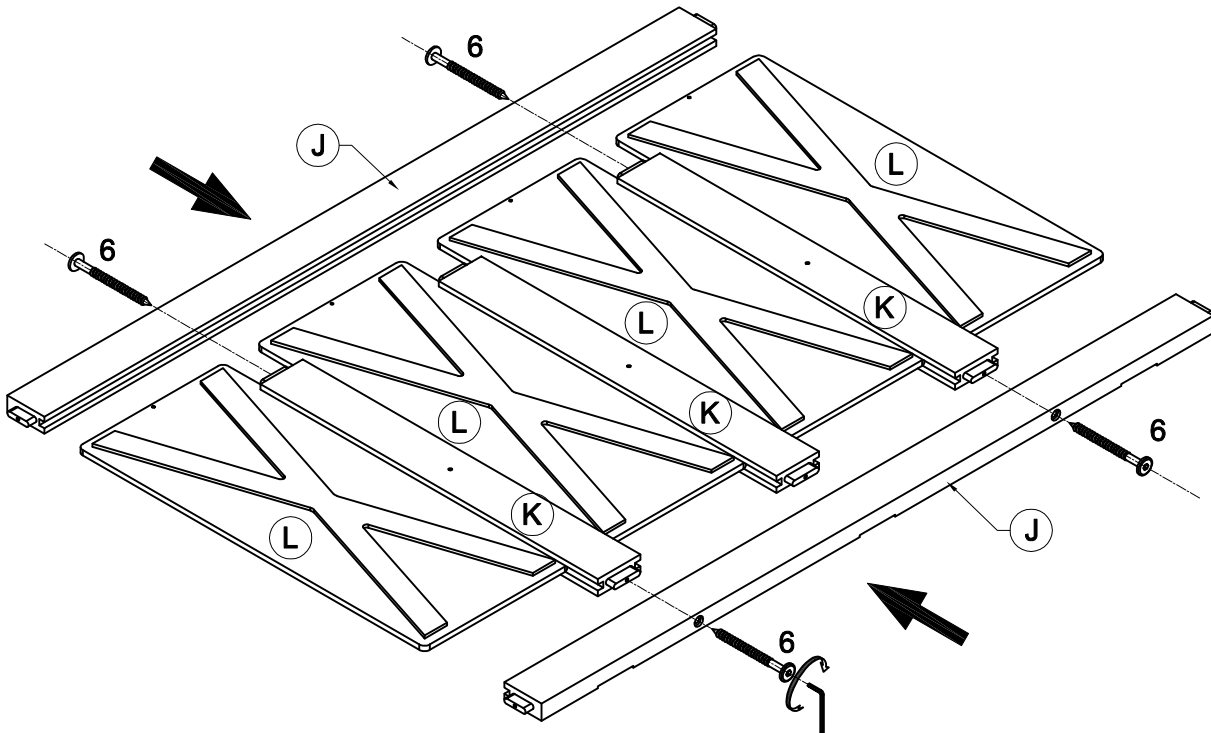
Round wood crews  
M3.5 \* 15 - 20pcs



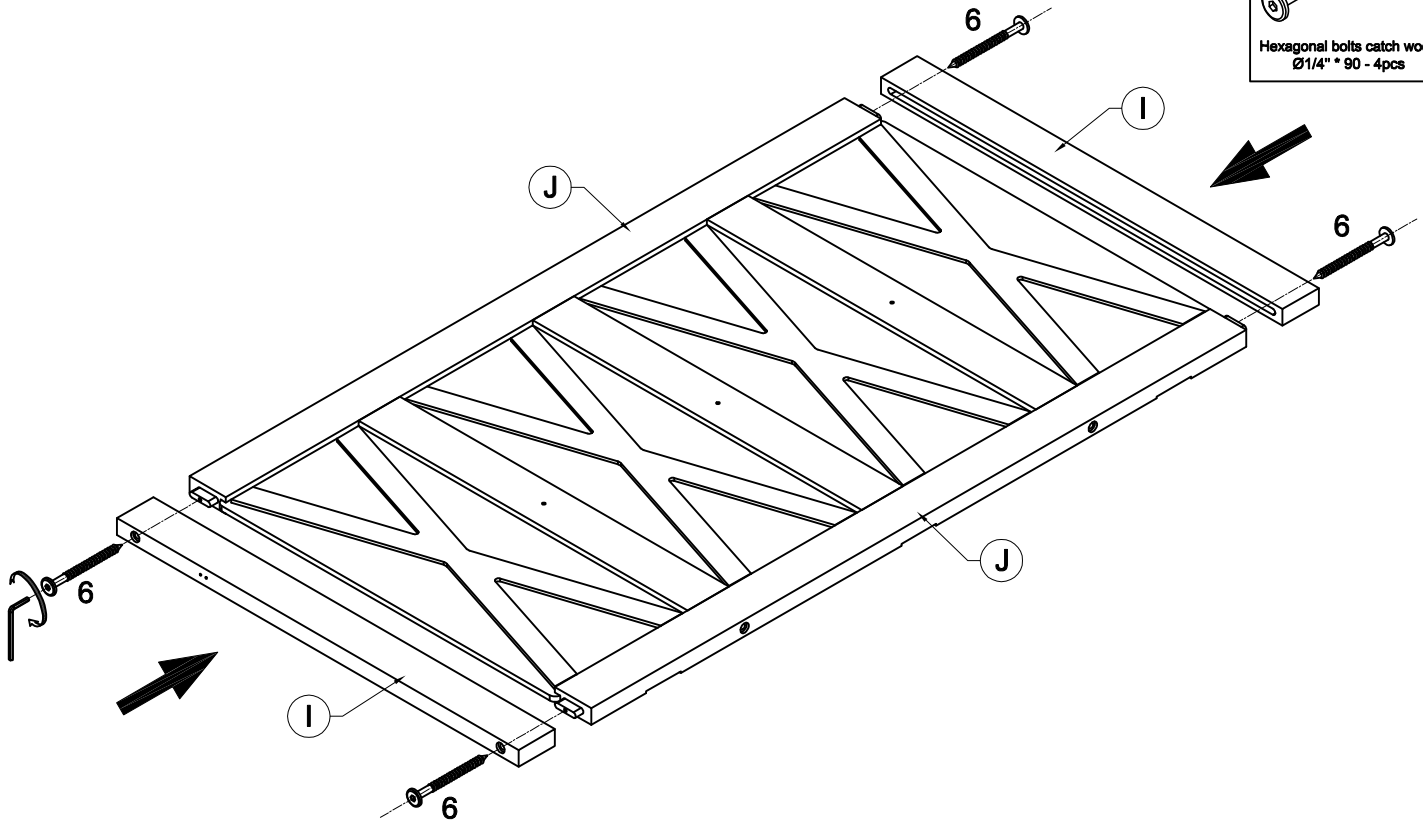
# STEP 7

6

Hexagonal bolts catch wood  
Ø1/4" \* 90 - 4pcs

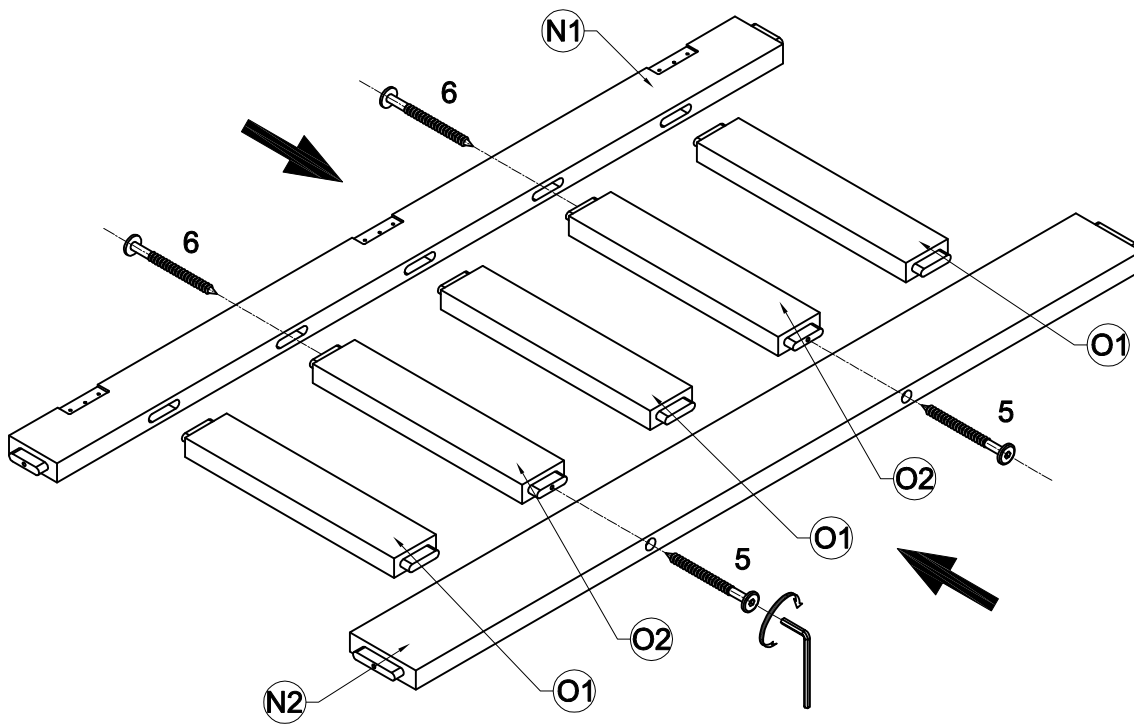


# STEP 8



**6**  
Hexagonal bolts catch wood  
Ø1/4" \* 90 - 4pcs

# STEP 9

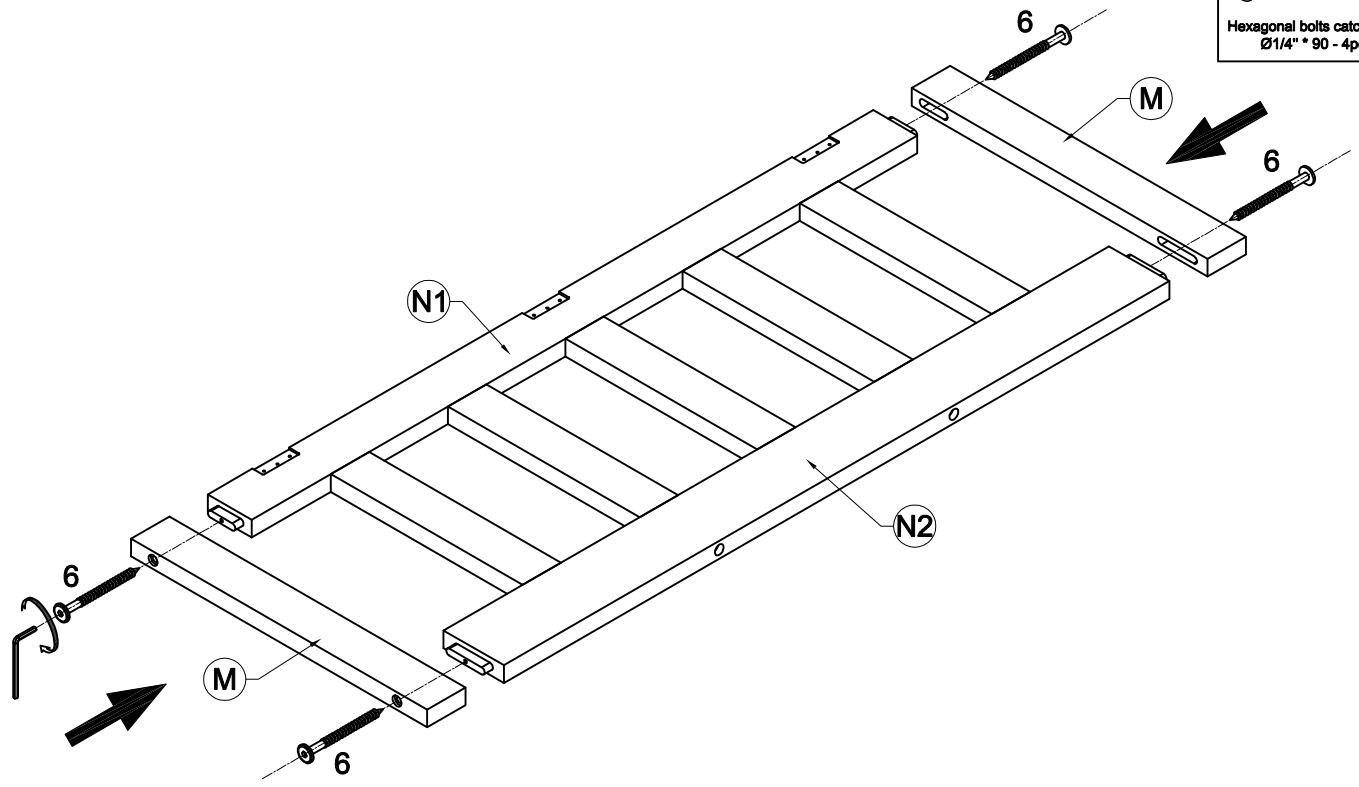


**5**  
Hexagonal bolts catch wood  
Ø1/4" \* 120 - 2pcs

**6**  
Hexagonal bolts catch wood  
Ø1/4" \* 90 - 2pcs

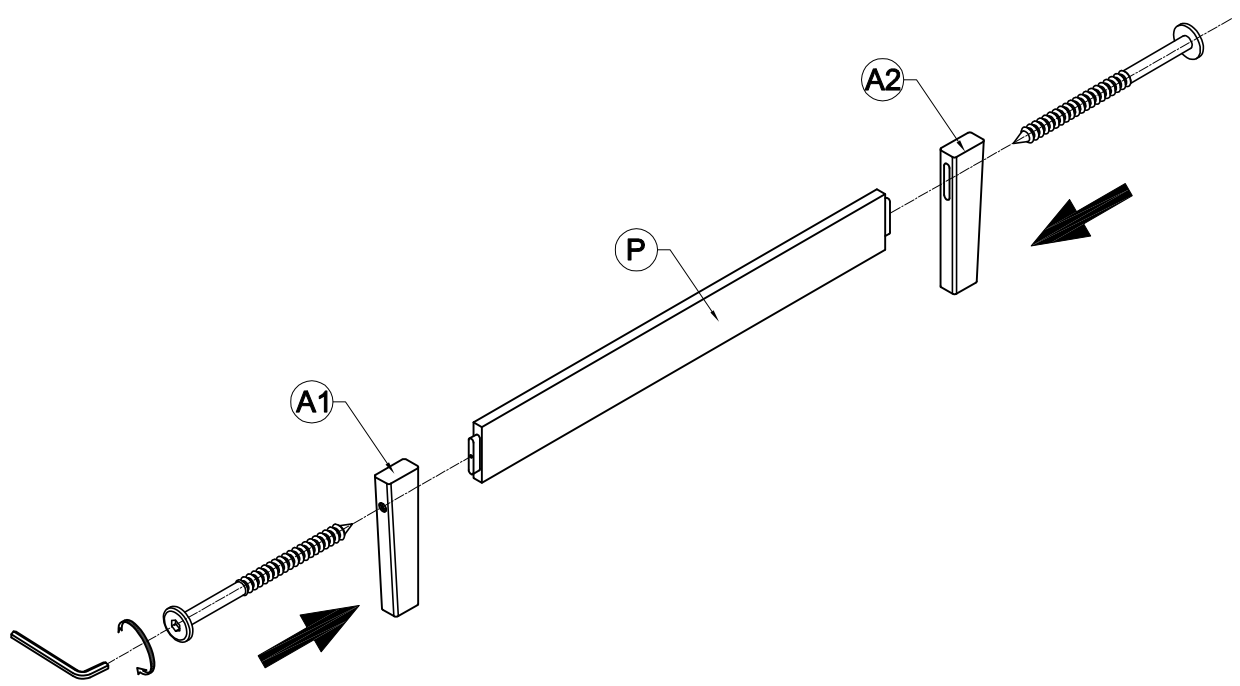
# STEP 10

6  
Hexagonal bolts catch wood  
Ø1/4" \* 90 - 4pcs

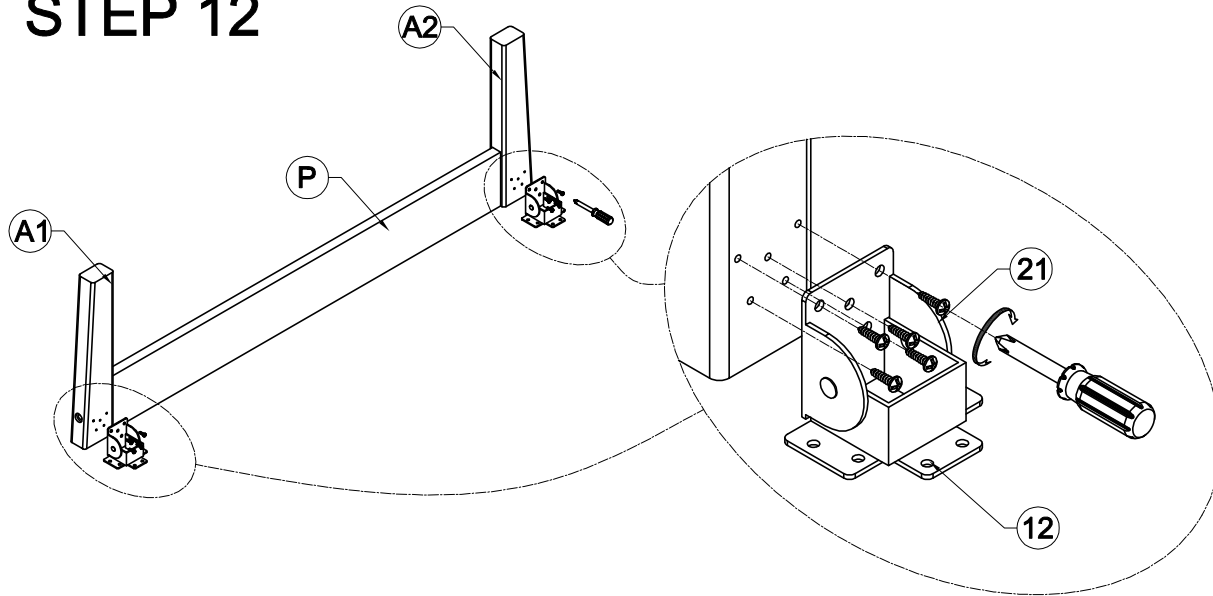


# STEP 11

6  
Hexagonal bolts catch wood  
Ø1/4" \* 90 - 2pcs



# STEP 12



21



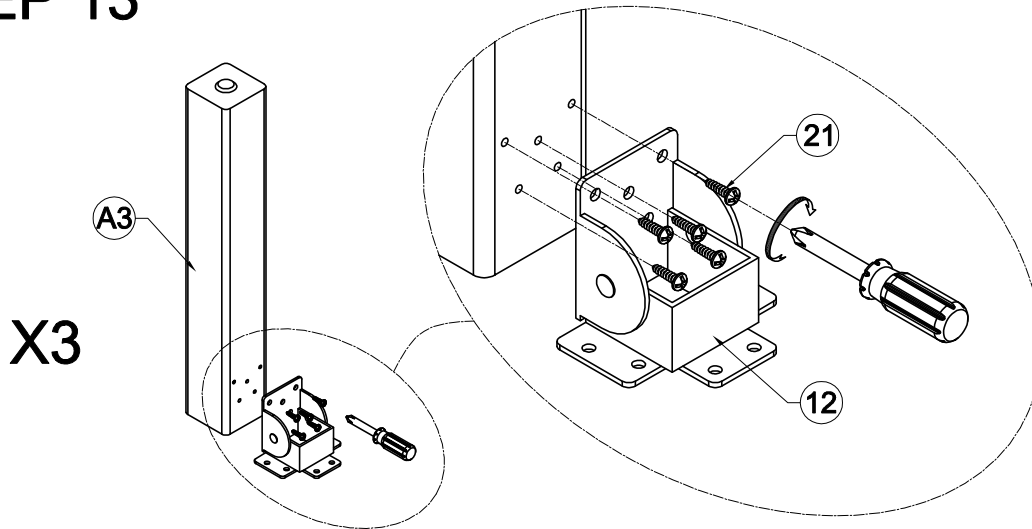
Round wood crews  
M3.5 \* 20 - 10pcs

12



Folded part - 2pcs

# STEP 13

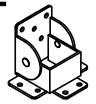


21



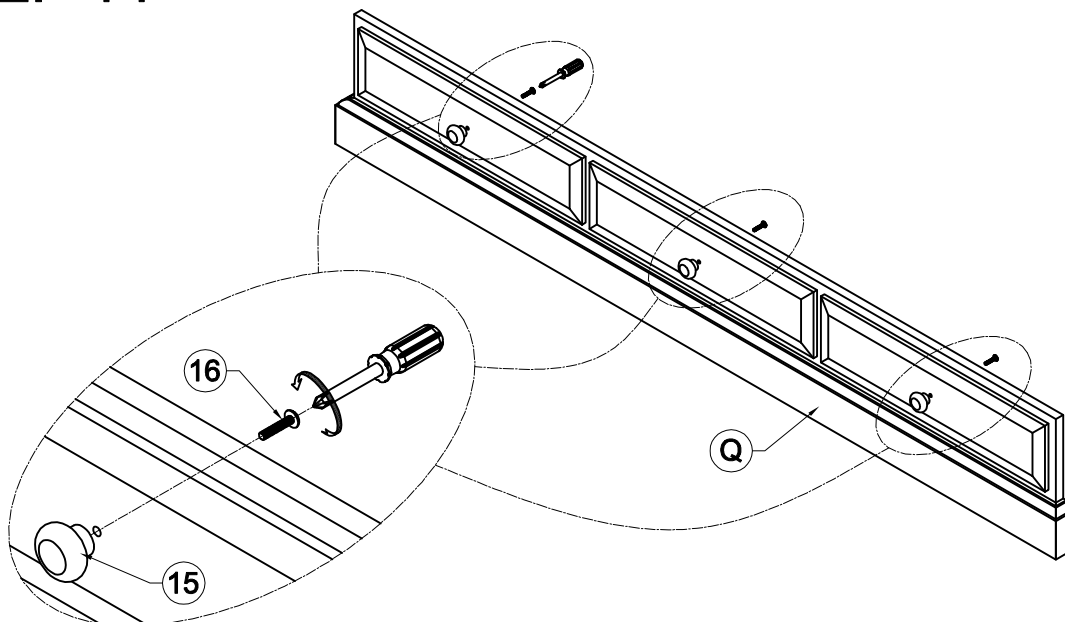
Round wood crews  
M3.5 \* 20 - 15pcs

12



Folded part - 3pcs

# STEP 14



15



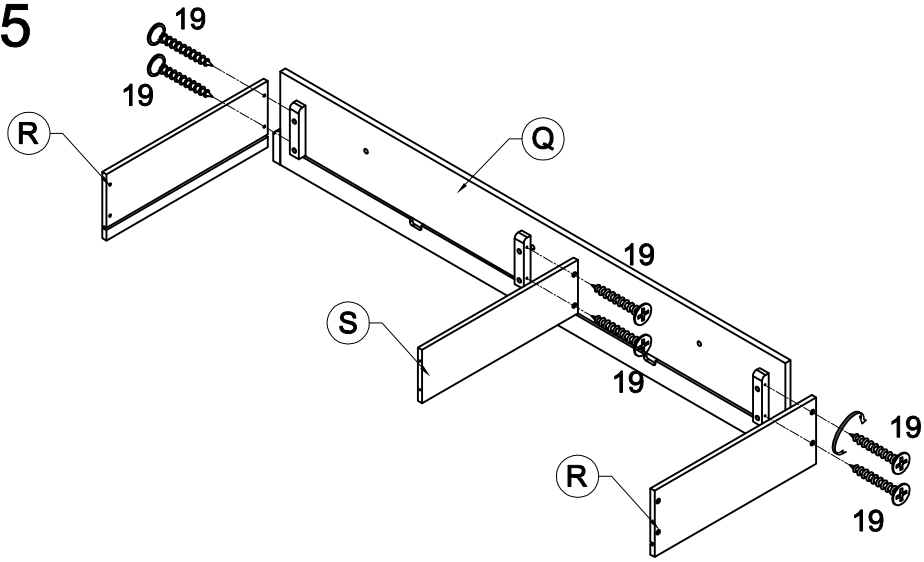
Handle - 3pcs

16



Round crews  
Ø5/32" \* 22 - 3pcs

# STEP 15

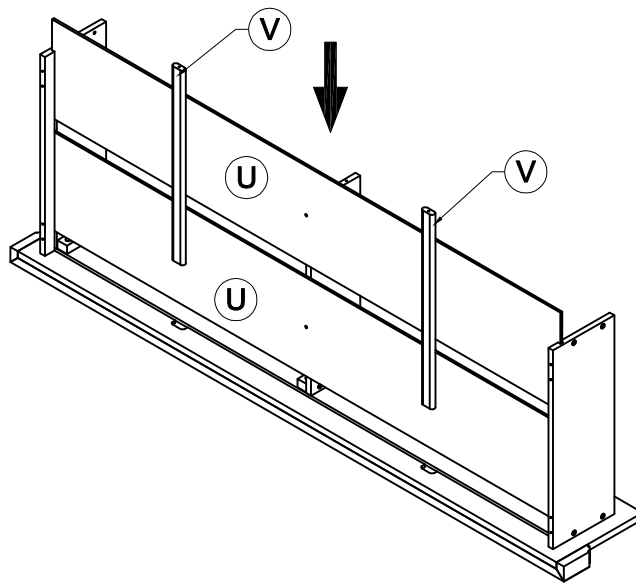


19

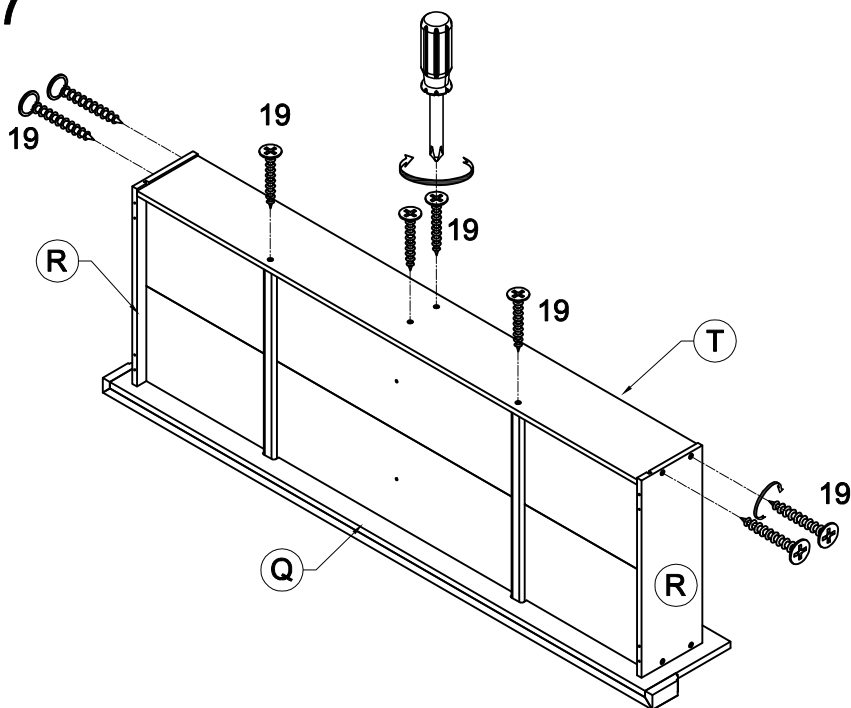


Wood crews  
M4 \* 25 - 6pcs

# STEP 16



# STEP 17

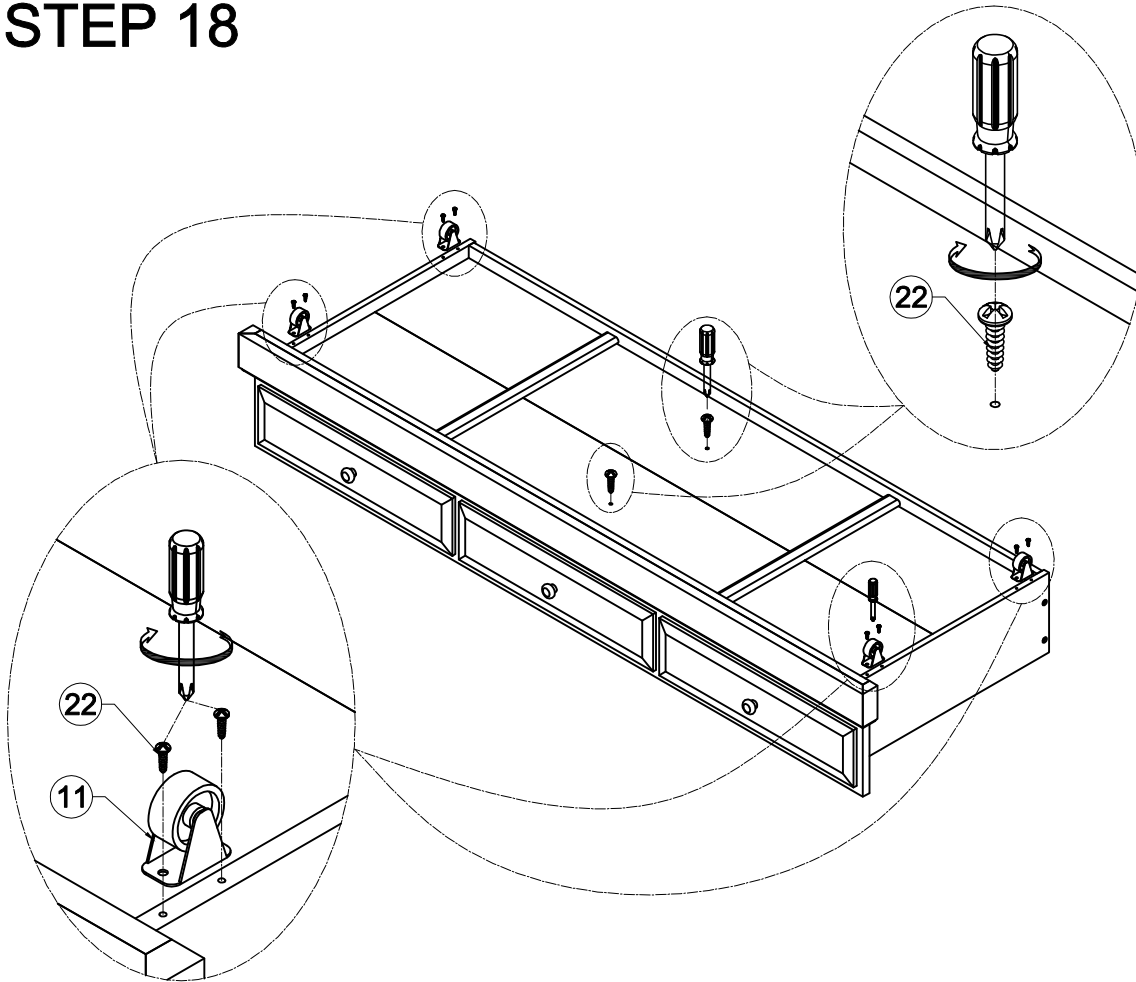


19



Wood crews  
M4 \* 25 - 8pcs

# STEP 18



11



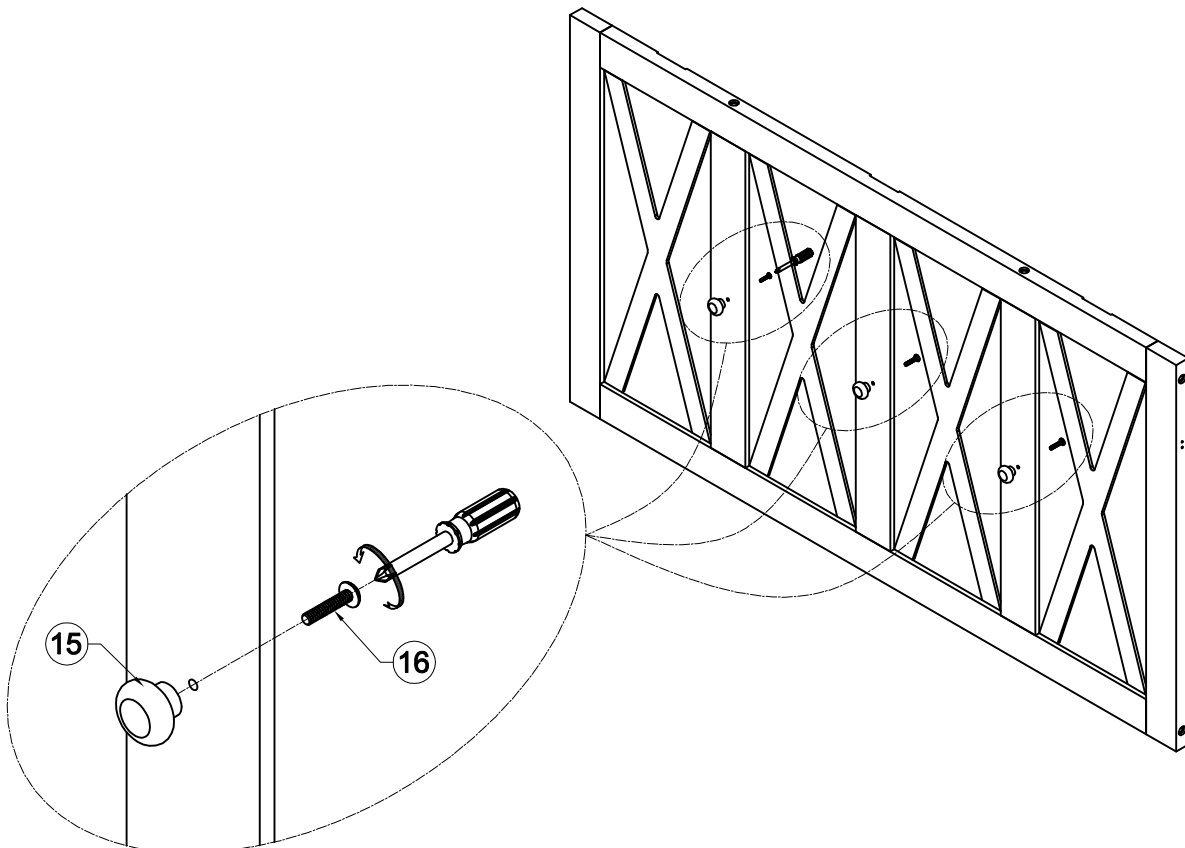
Wheel - 4pcs

22



Round wood crews  
M3.5 \* 15 - 10pcs

# STEP 19



15



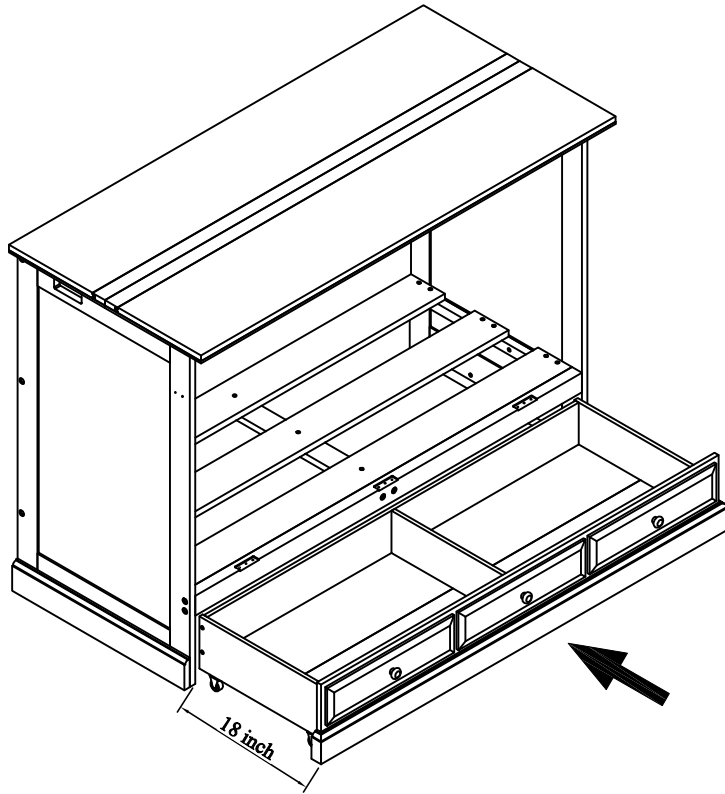
Handle - 3pcs

16



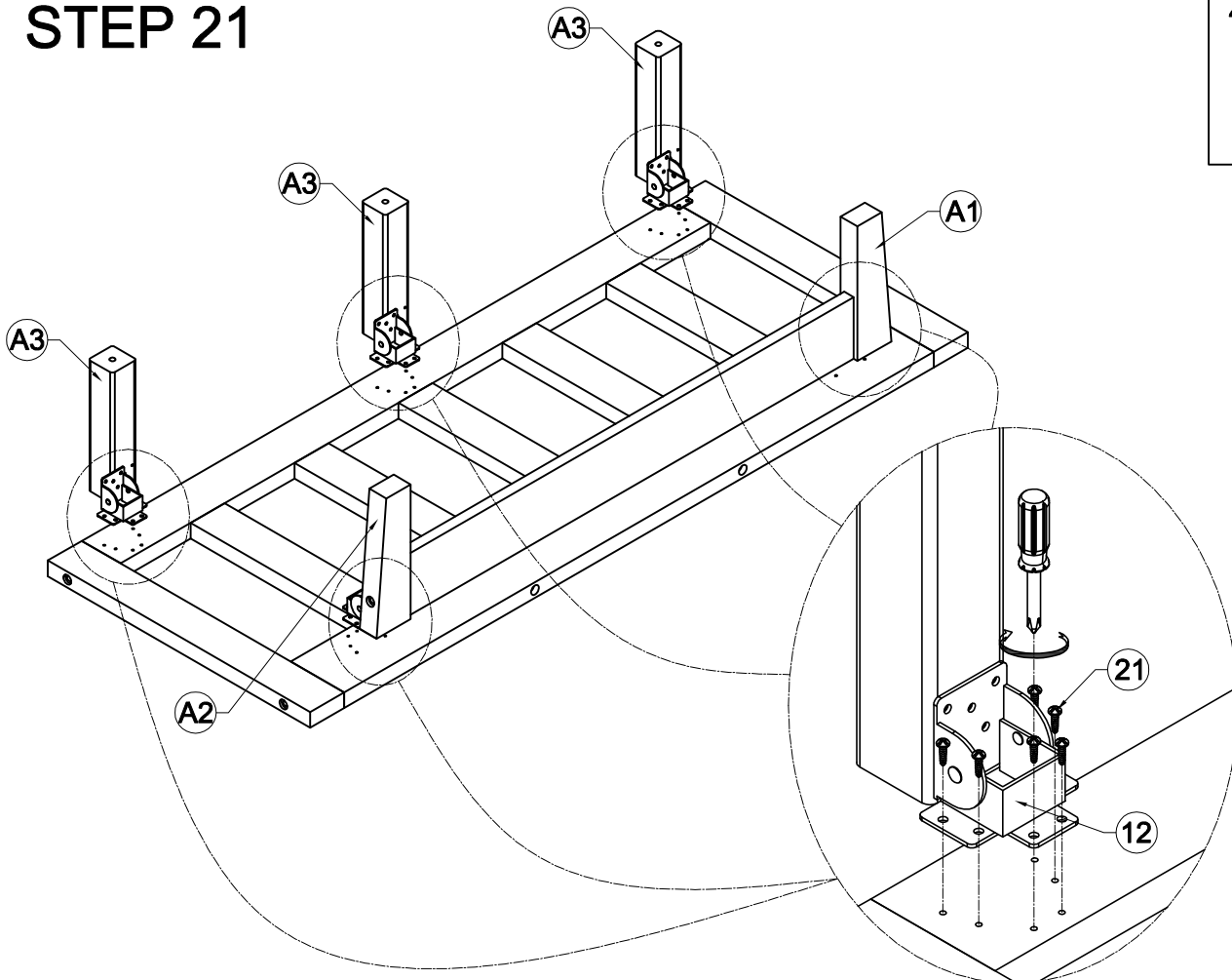
Round crews  
Ø5/32" \* 22 - 3pcs

# STEP 20



Push the pull - in drawer 18 inches from the hip edge

# STEP 21



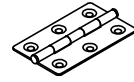
21



Round wood crews  
M3.5 \* 20 - 30pcs

# STEP 22

10

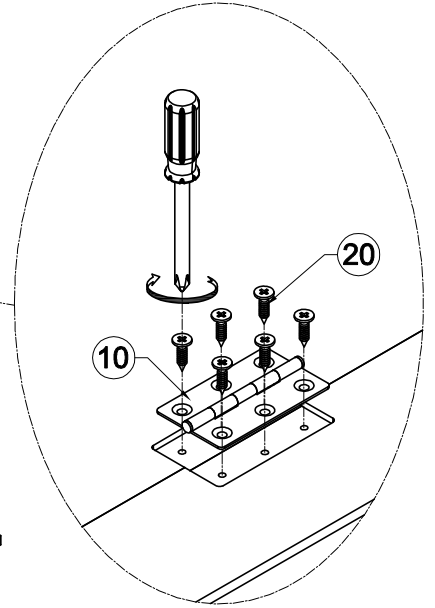
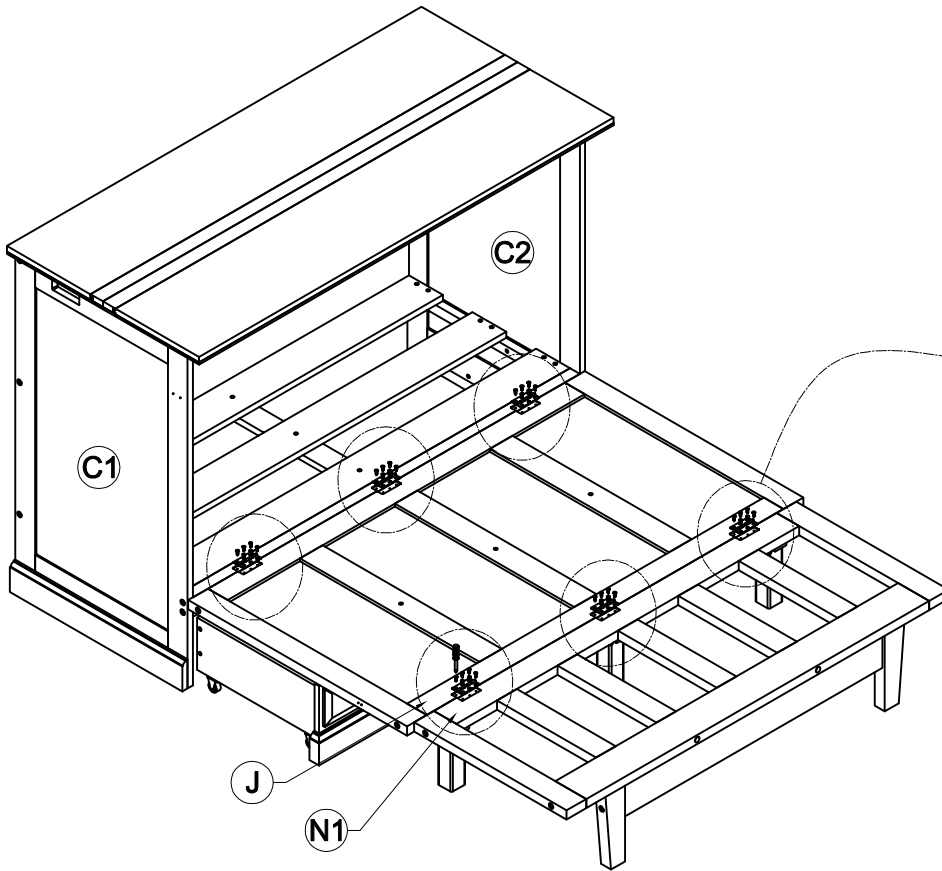


Hinge - 6pcs

20

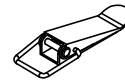


Wood crews  
M3.5 \* 15 - 36pcs



# STEP 23

13



Duckbill lock A - 2pcs

14

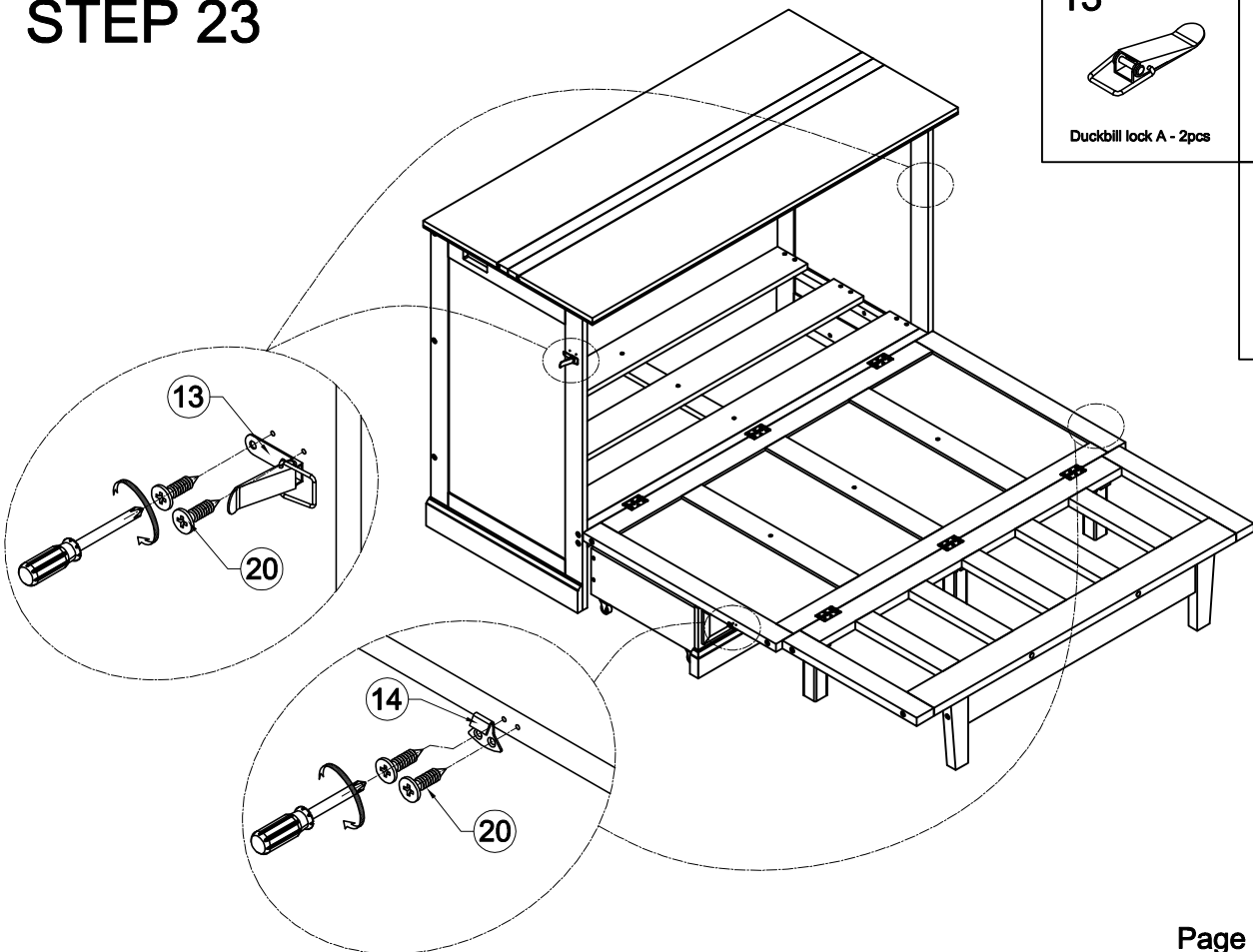


Duckbill lock B - 2pcs

20



Wood crews  
M3.5 \* 15 - 8pcs



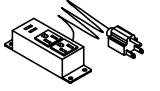
# STEP 24

22

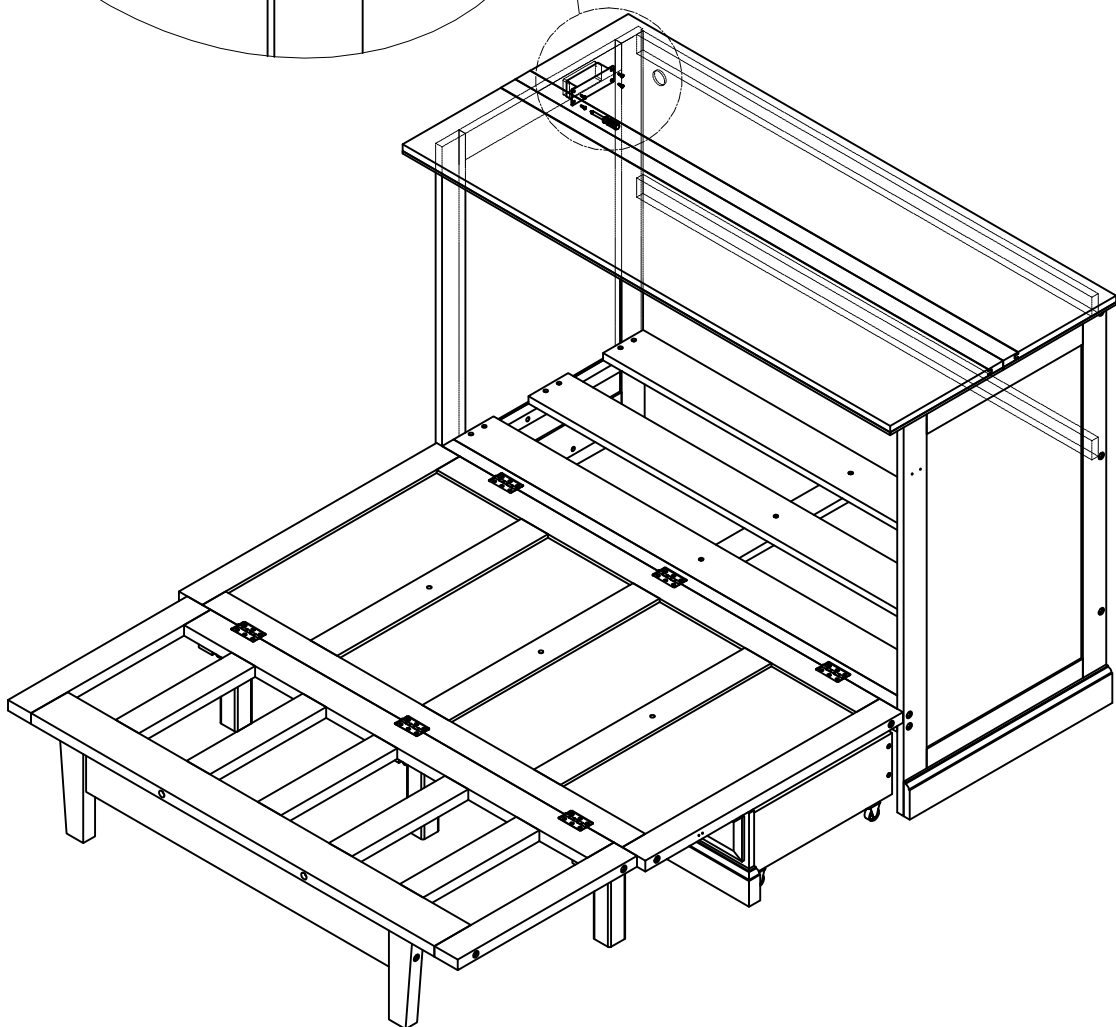
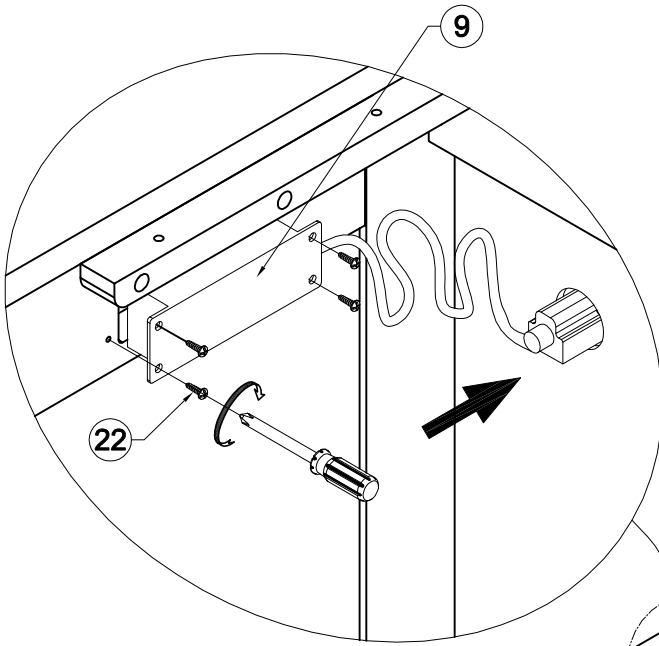


Round wood screws  
M3.5 \* 15 - 4pcs

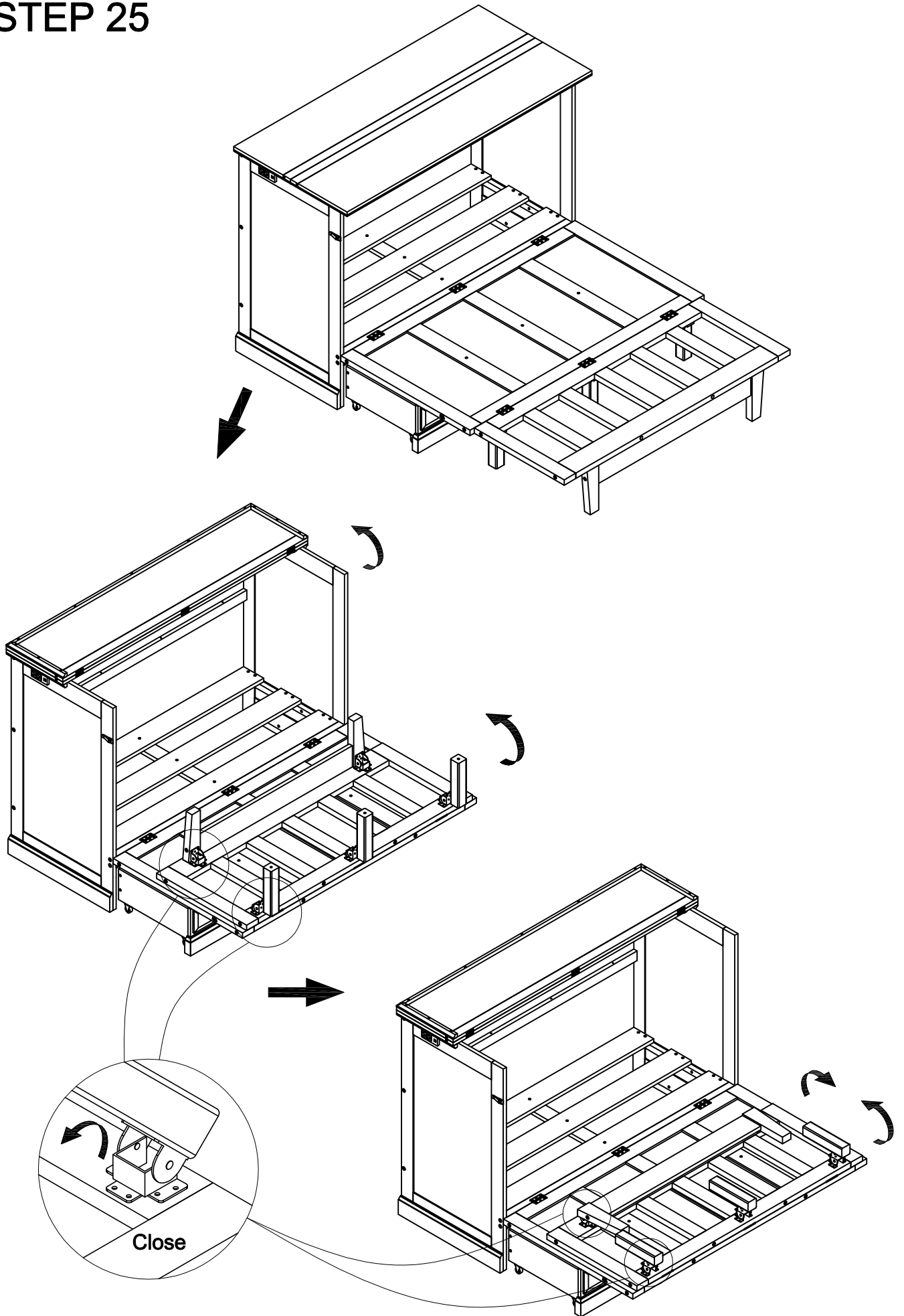
9



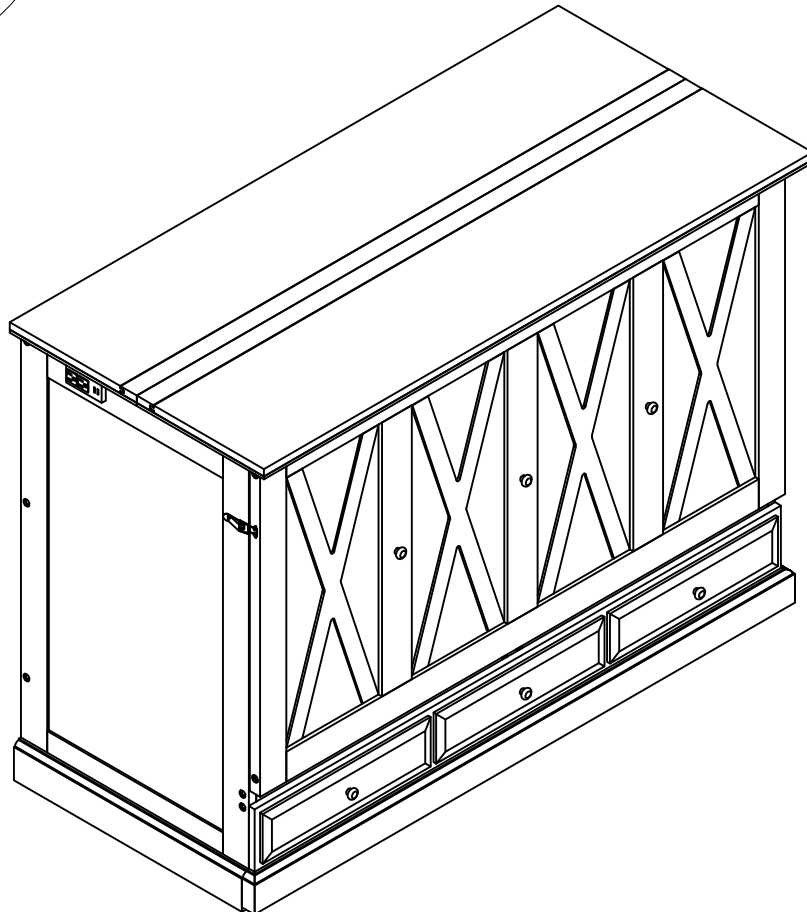
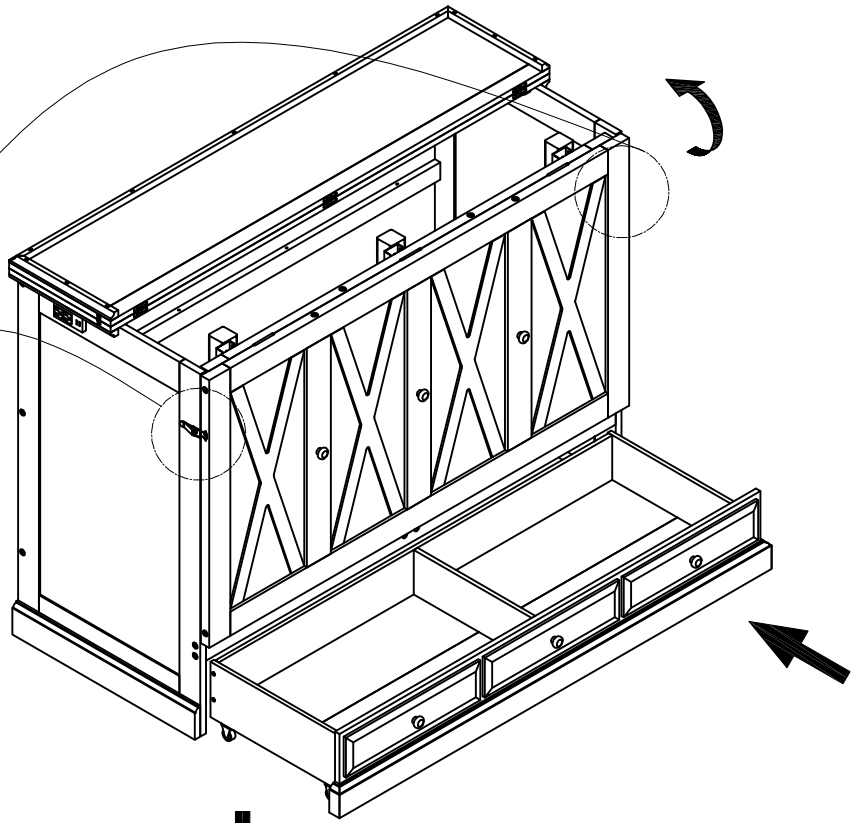
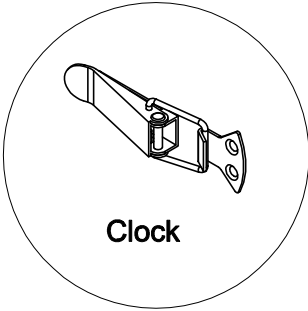
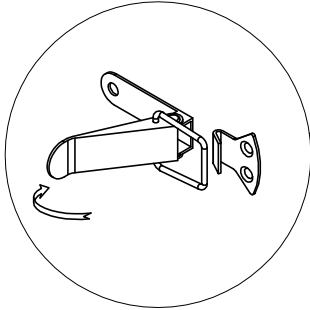
Power outlet - 1pc



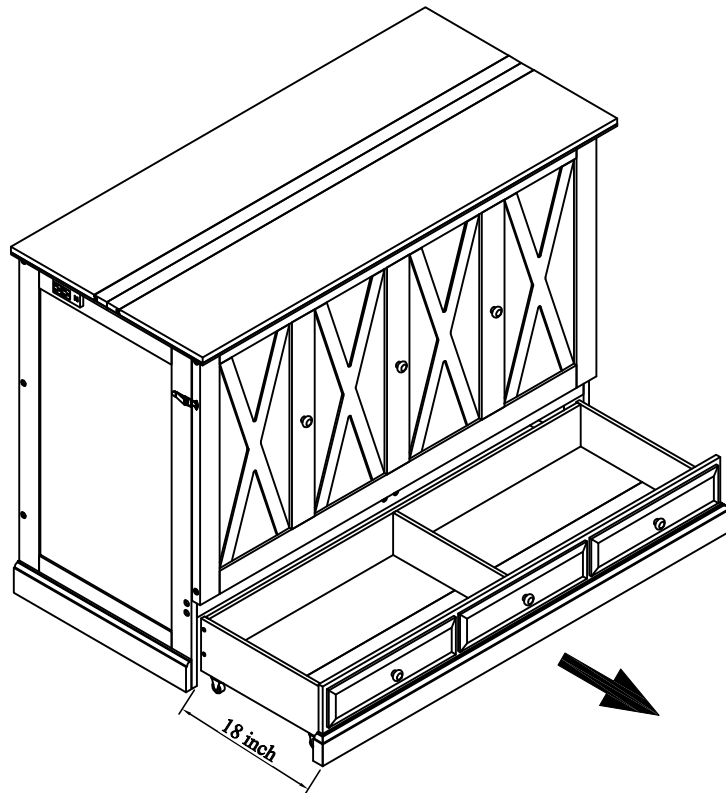
# STEP 25



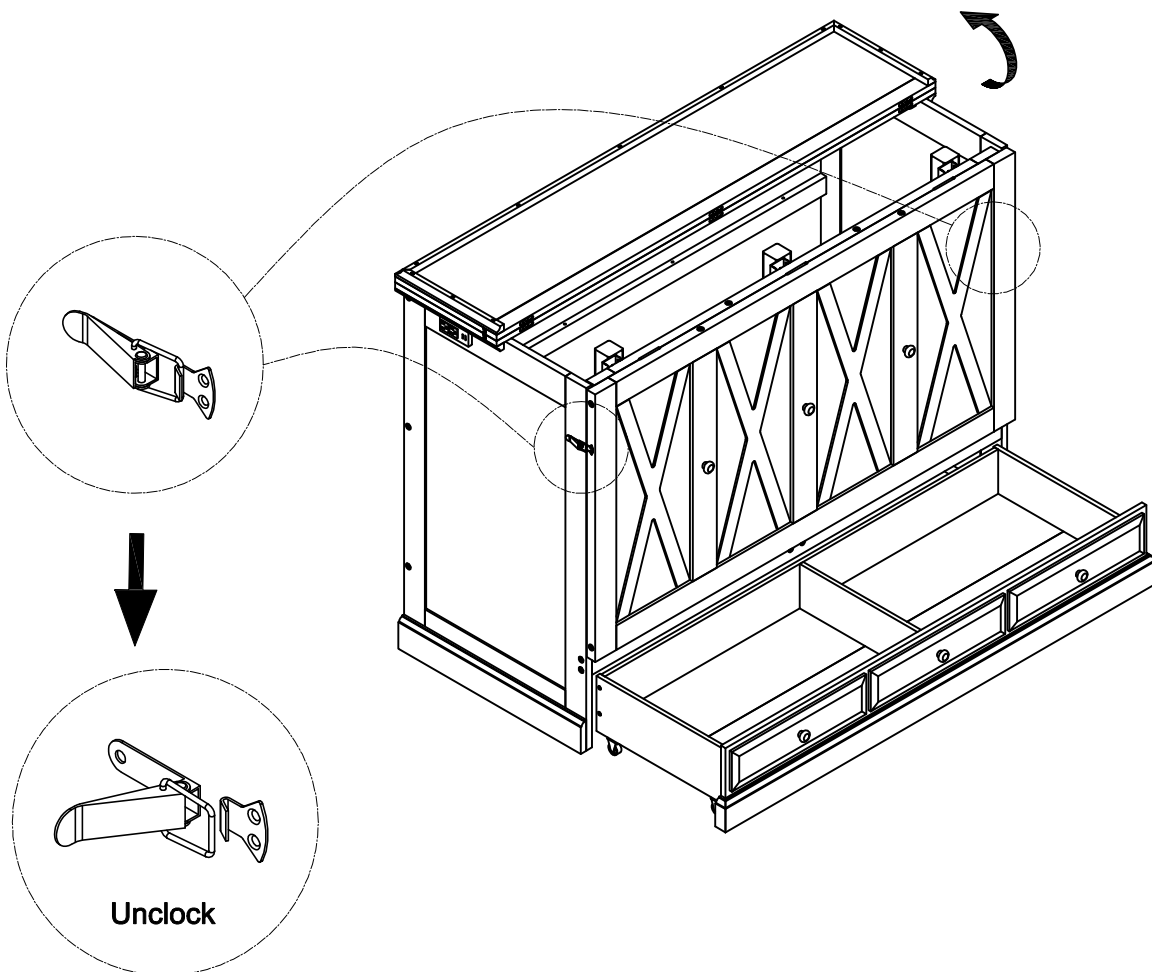
# STEP 26



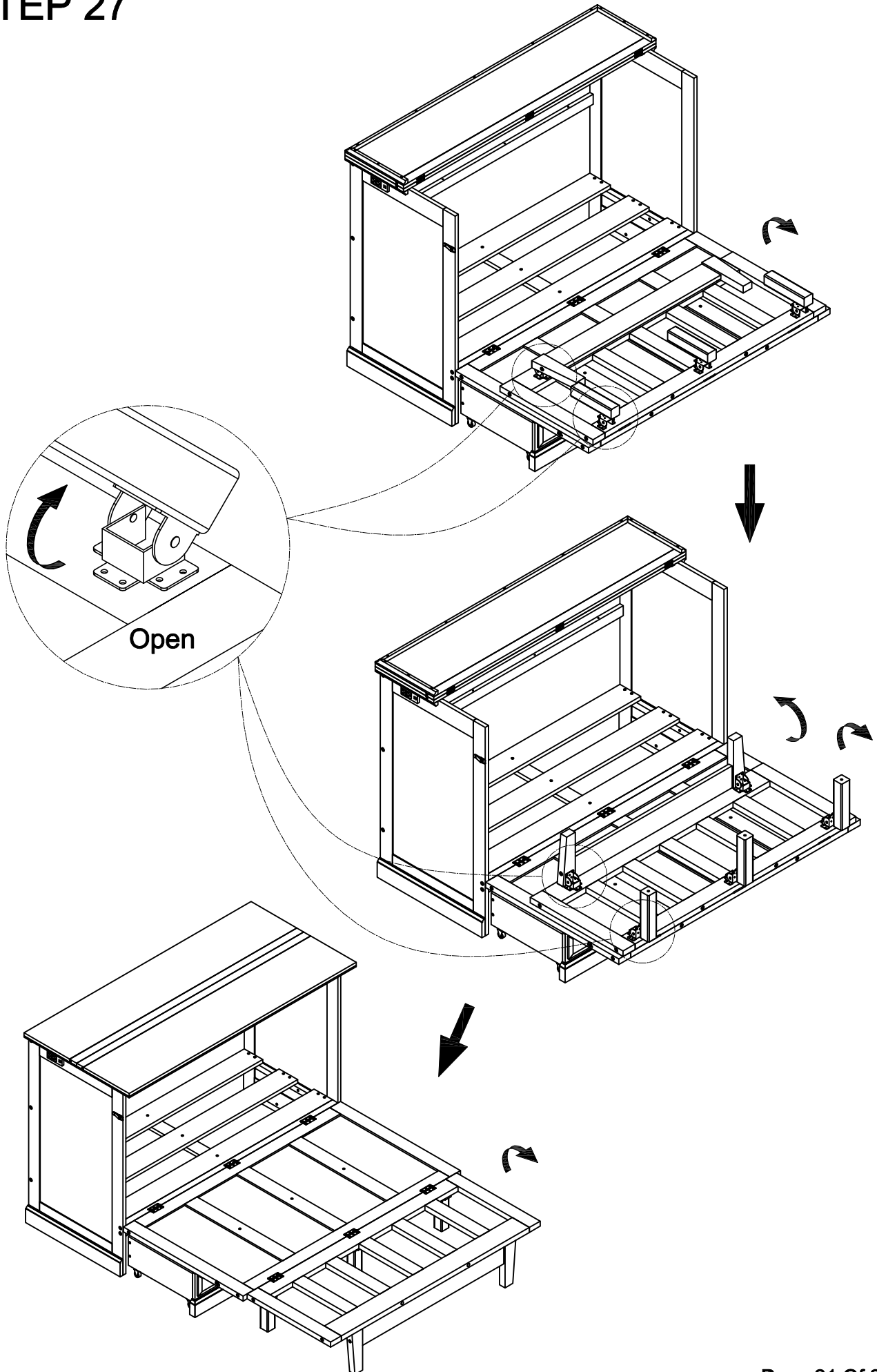
# STEP 27



Push the pull - in drawer 18 inches from the hip edge



# STEP 27



# COMPLETED

