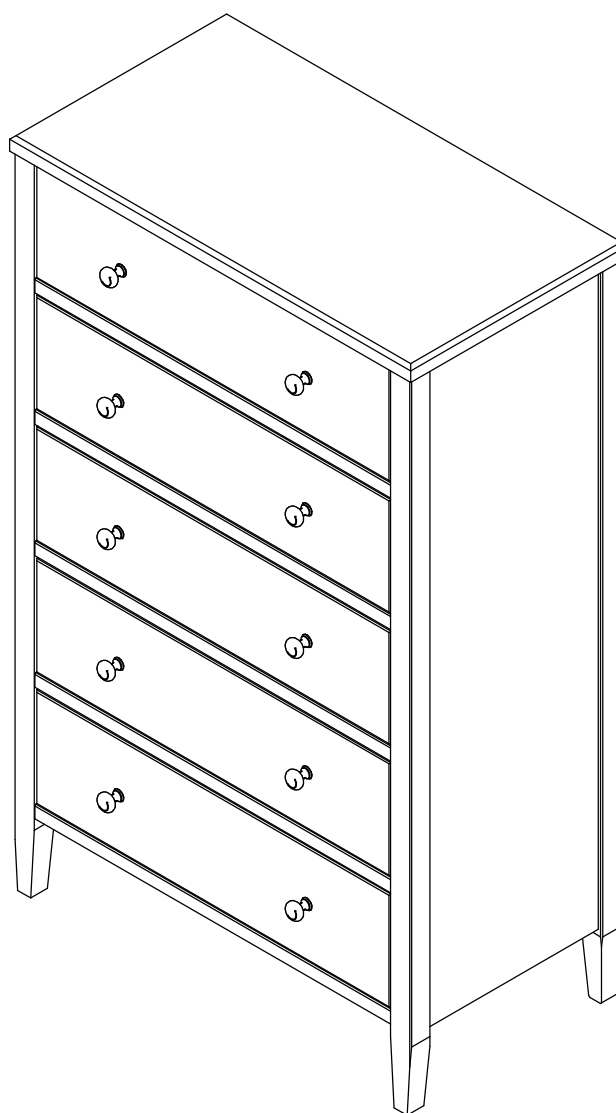


Instruction manual  
**75cm 5 Drawer Tall Chest Of Drawers**



# **CONTENTS**

---

Safety and care advice	<b>1</b>
Components	<b>2</b>
Assembly instructions	<b>4</b>
Copyright	<b>12</b>

---



# SAFETY AND CARE ADVICE



---

## PLEASE READ THESE INSTRUCTIONS CAREFULLY AND KEEP FOR FUTURE REFERENCE

- **Warning:** Please lift with care.
- Check you have all the components and tools listed on pages 2 and 3.
- Remove all fittings from the plastic bags and separate them into their groups.
- Keep children and animals away from the work area, small parts could choke if swallowed.
- Make sure you have enough space to lay out the parts before starting.
- Do not stand or put weight on the product, this could cause damage.
- Assemble the item as close to its final position (in the same room) as possible.

- Assemble on a soft level surface to avoid damaging the unit or your floor (use opened out unit carton).



- We do not recommend the use of power drill/drivers *for inserting screws*, as this could damage the unit. Only use hand screwdrivers.
- Dispose of all packaging carefully and responsibly.

---

## CARE AND MAINTENANCE

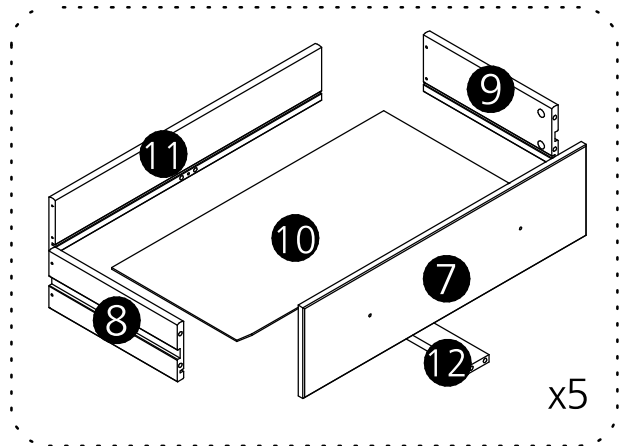
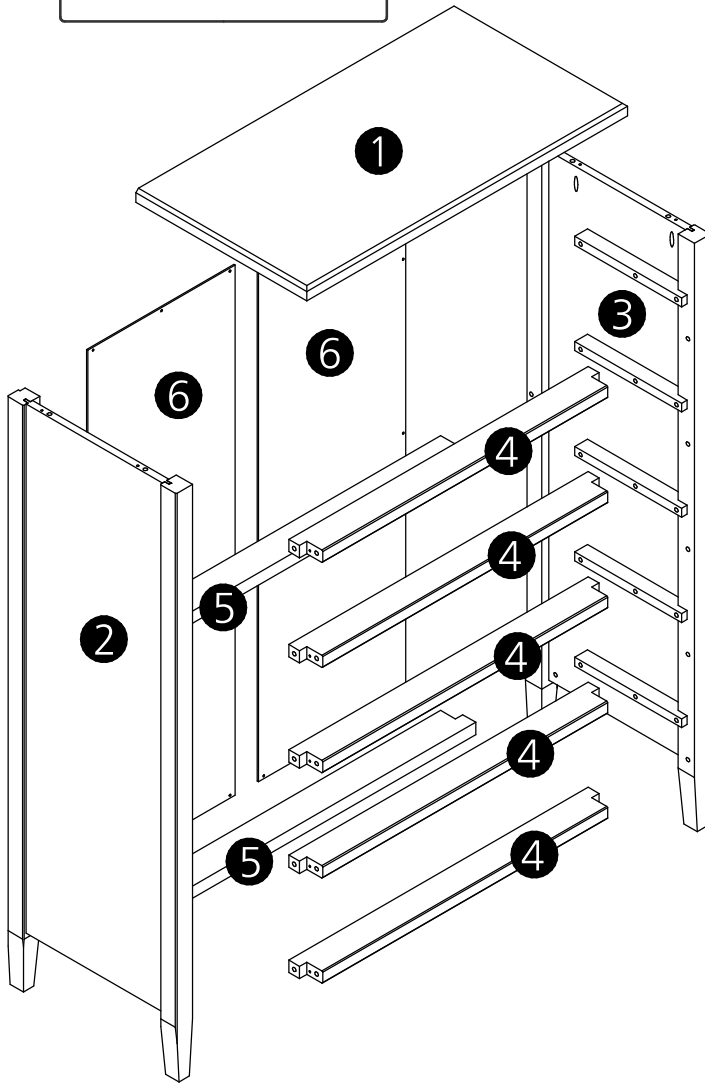
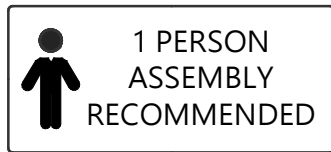
- Only clean using a damp cloth and mild detergent, do not use bleach or abrasive cleaners.
- From time to time check that there are no loose screws on this unit.

- This product should not be discarded with household waste. Take to your local authority waste disposal center.

**Note** *if required the next page can be cut out and used as reference throughout the assembly. Keep this page with these instructions for future reference.*

# COMPONENTS

Please check you have all the panels listed below.

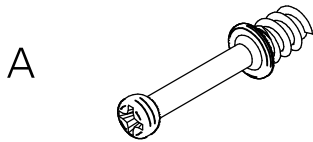


1	Top panel	1x	7	Front Drawer	5x
2	Left Side Panel	1x	8	Left Drawer Side	5x
3	Right Side Panel	1x	9	Right Drawer Side	5x
4	Front Rail	5x	10	Drawer Bottom	5x
5	Back Rail	2x	11	Drawer Back	5x
6	Back panel	2x	12	Drawer Bottom Rail	5x

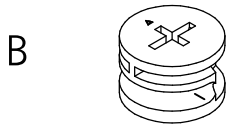


# COMPONENTS

Please check you have all fittings listed below.



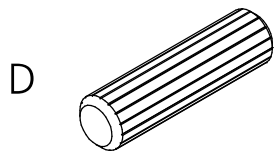
Metal Dowel x20



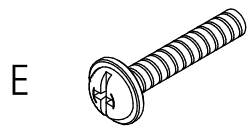
Look (Ø15Xx10mm) x20



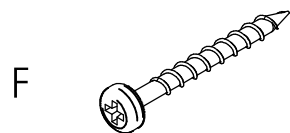
Screw (Ø3,5x16) x28



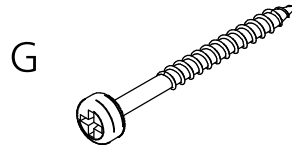
Wooden Dowel (Ø8x30mm) x52



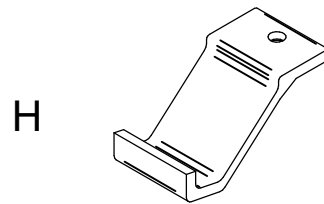
Screw (M4x22mm) x10



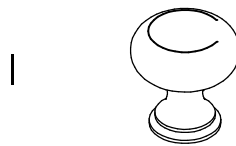
Screw (Ø3,5x30mm) x25



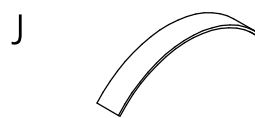
Screw (Ø3,5x35mm) x18



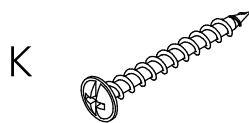
Drawer Lock x10



Metal Knob x10



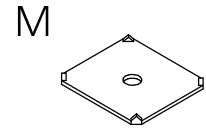
Strap 200x20x1mm (2X)



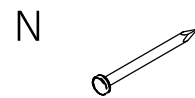
Ø3,5X30mm (2X)



Washer (2X)



Background Fixer (1x)



Nail (1x)

## TOOLS NEEDED

(We don't provide)

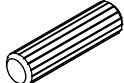


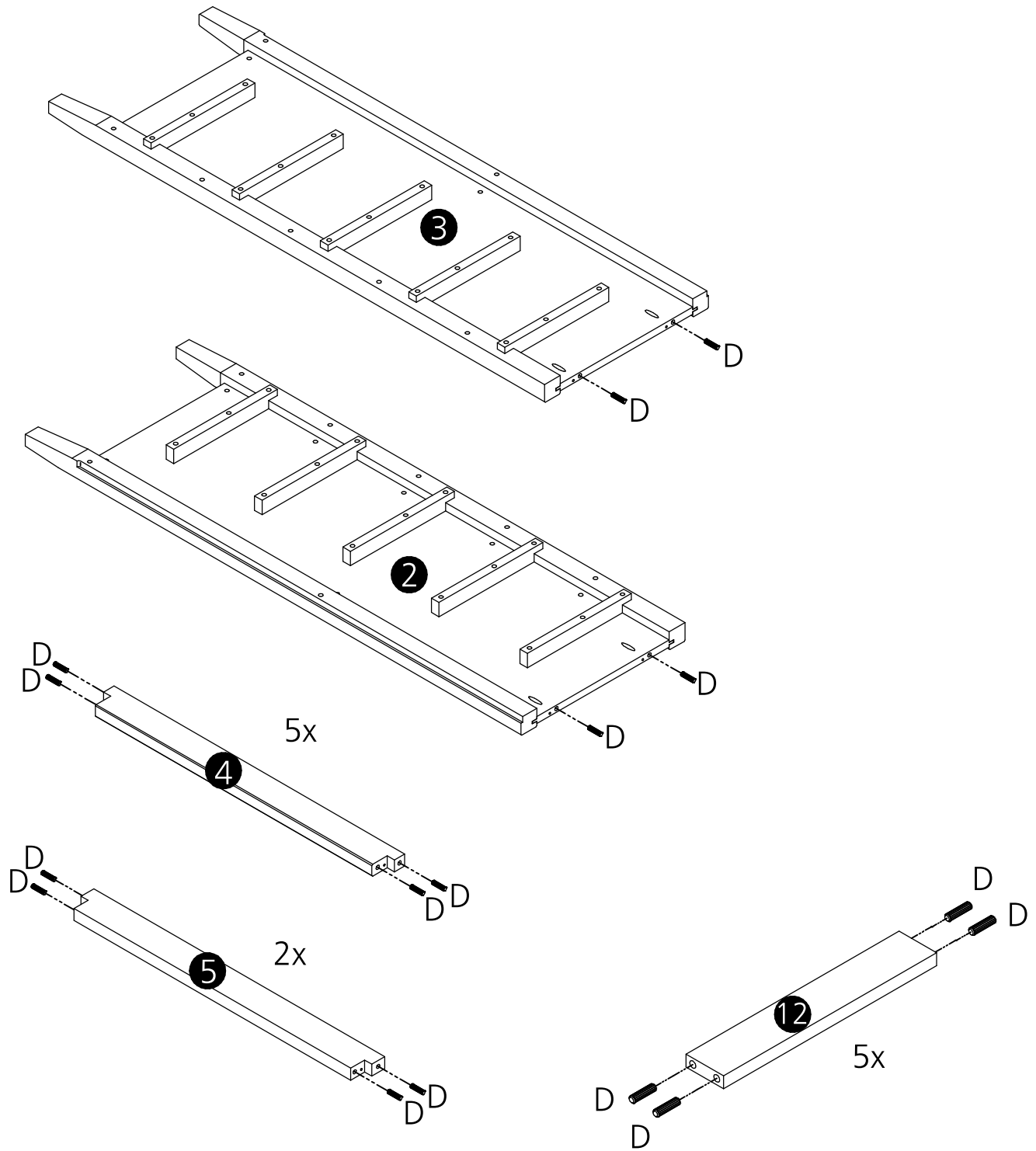
Phillips Screwdriver x1



# ASSEMBLY INSTRUCTIONS


## Step 1

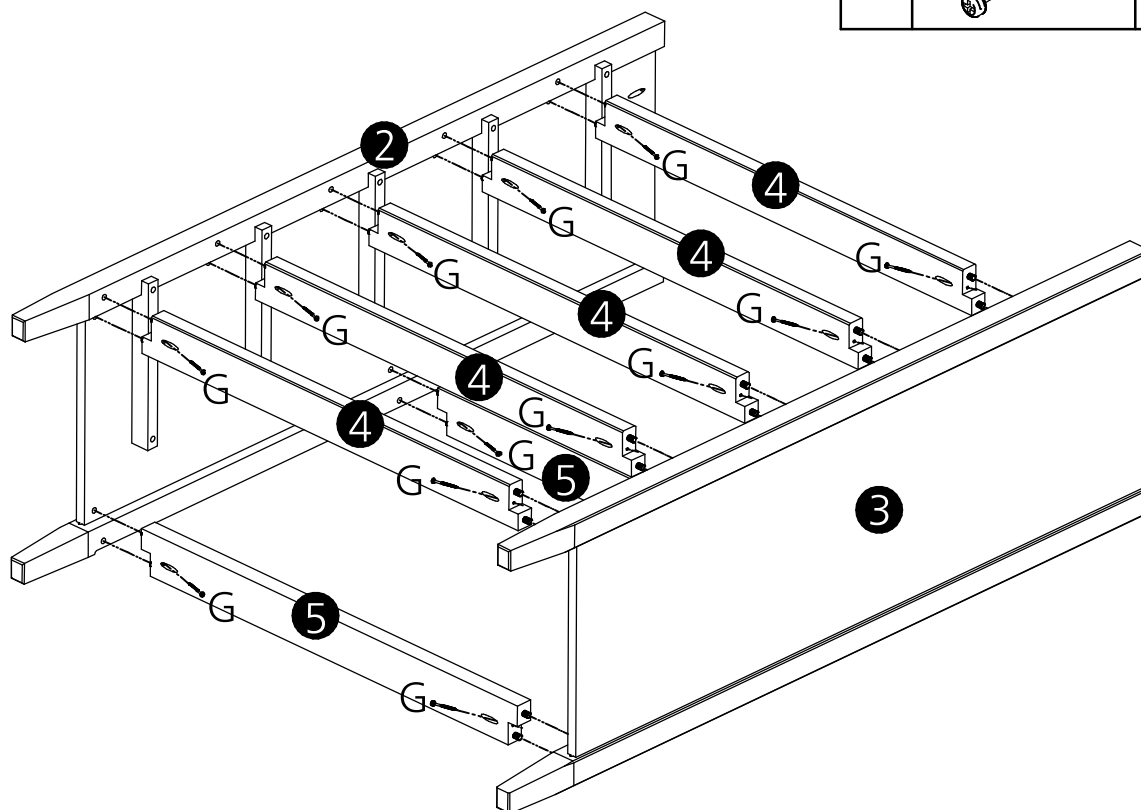
D		52
---	---	----




# ASSEMBLY INSTRUCTIONS

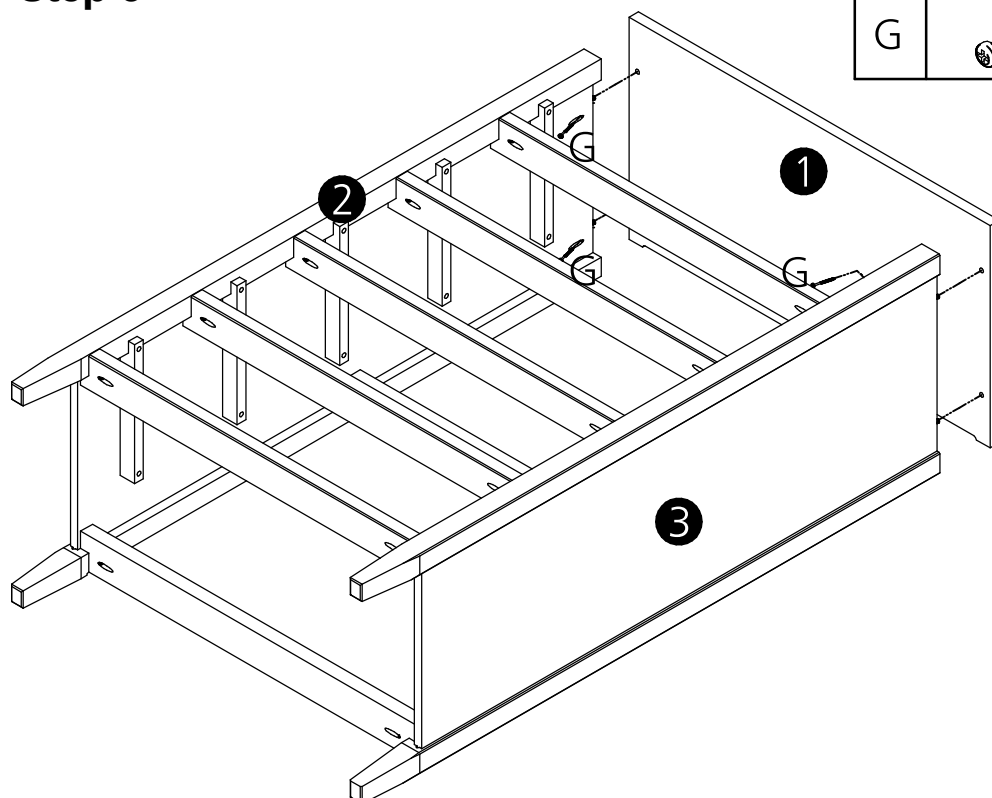
## Step 2

G		14
---	---	----



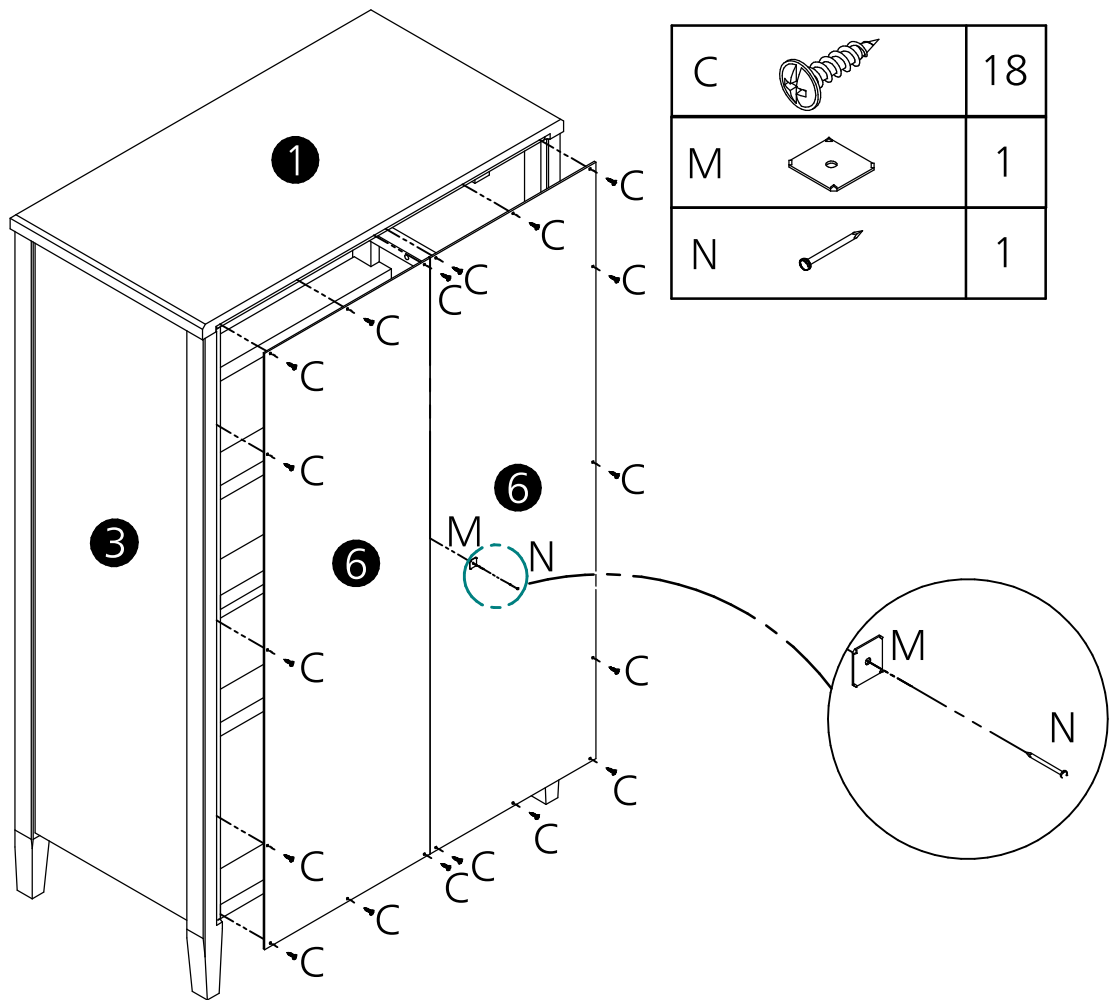
## Step 3

G		4
---	---	---

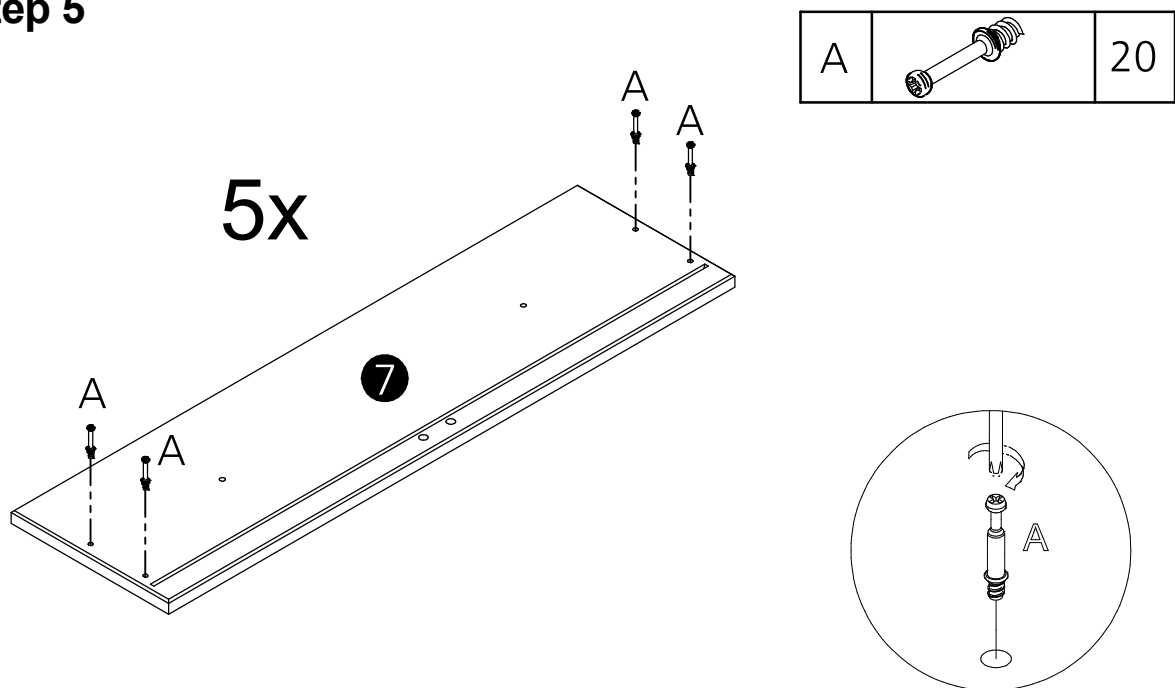


# ASSEMBLY INSTRUCTIONS

## Step 4

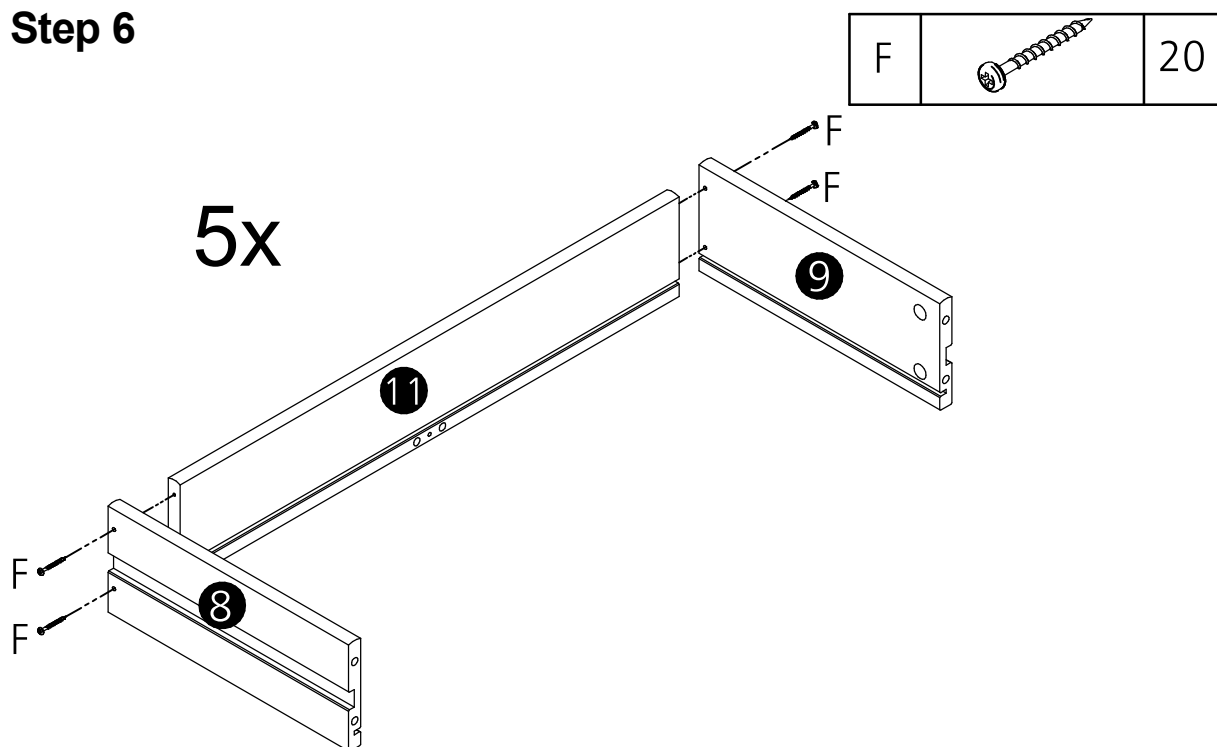


## Step 5

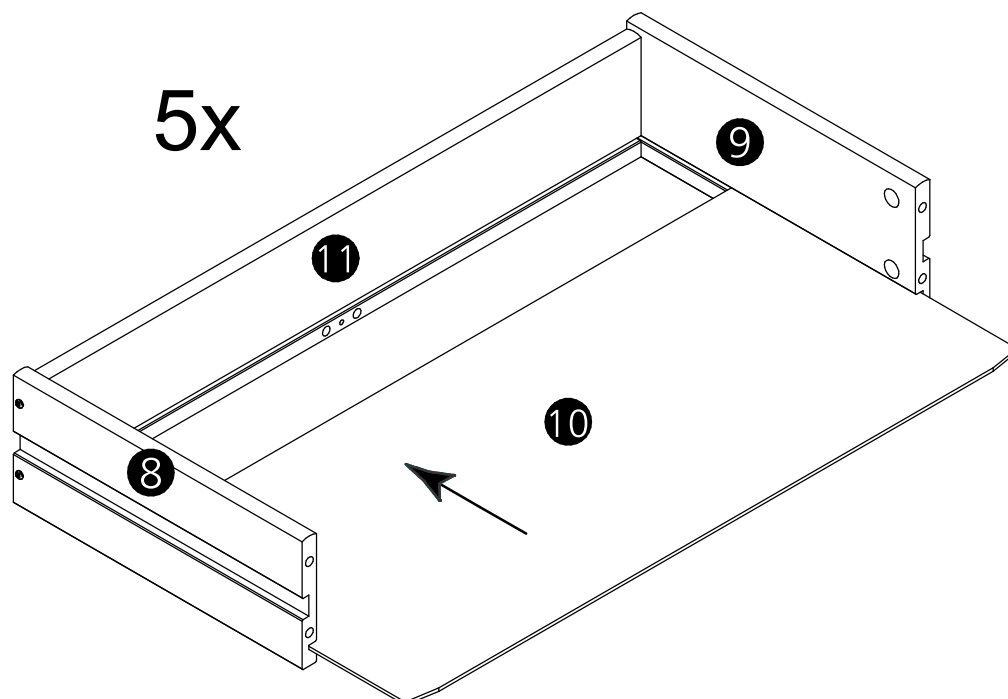


# ASSEMBLY INSTRUCTIONS

## Step 6




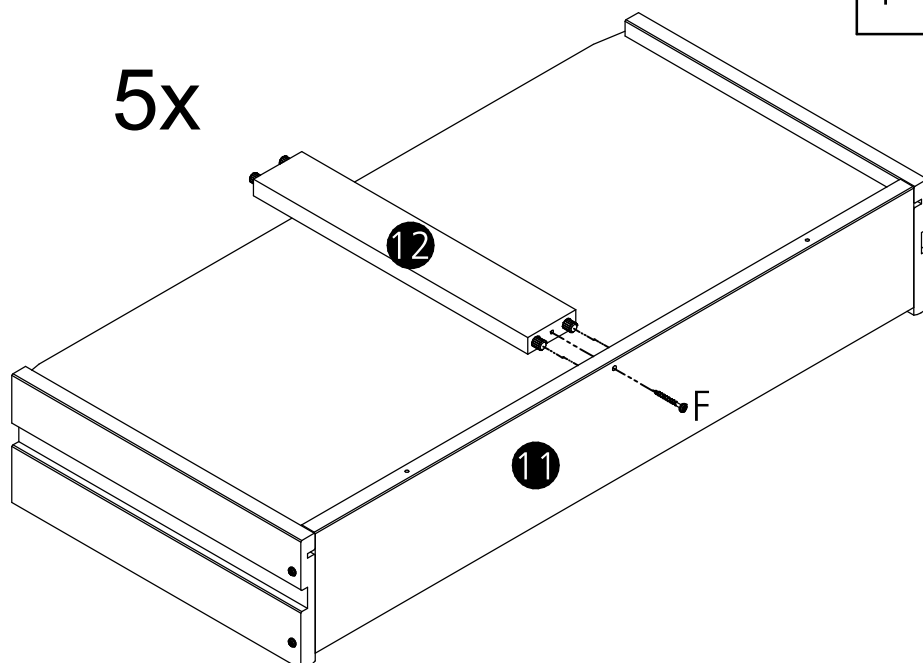
## Step 7




# ASSEMBLY INSTRUCTIONS

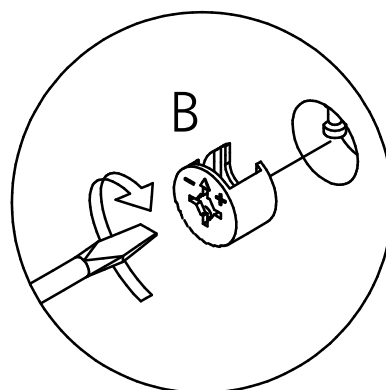
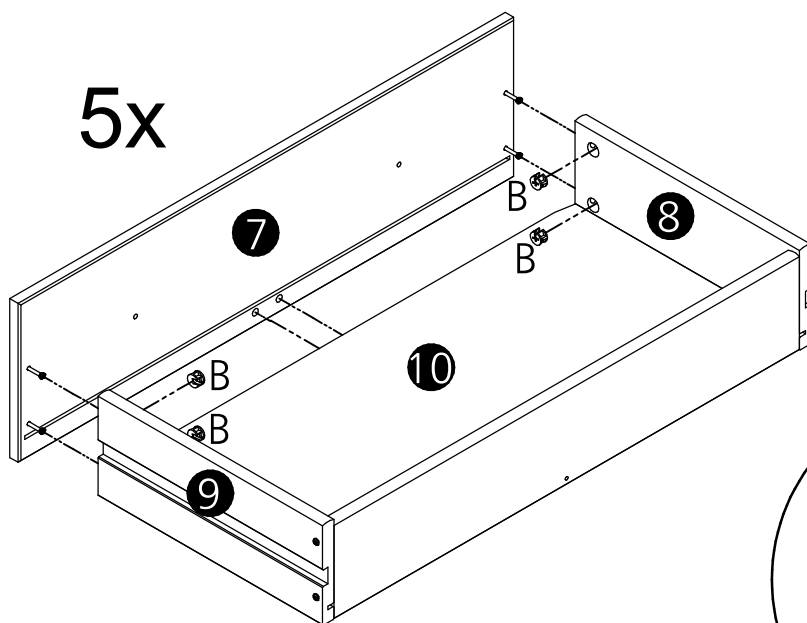
## Step 8

F		5
---	---	---



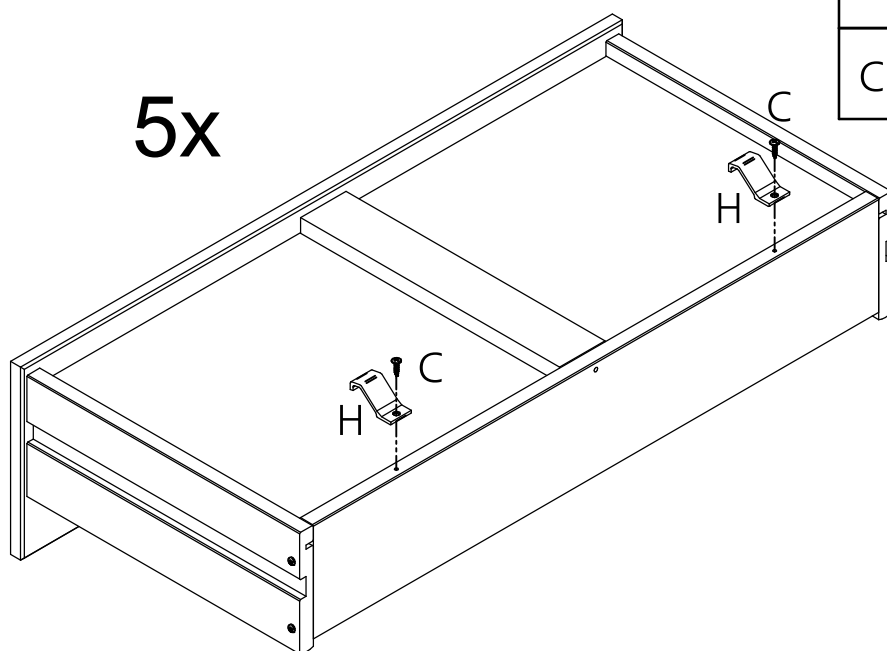
## Step 9


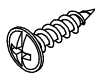
B		20
---	---	----



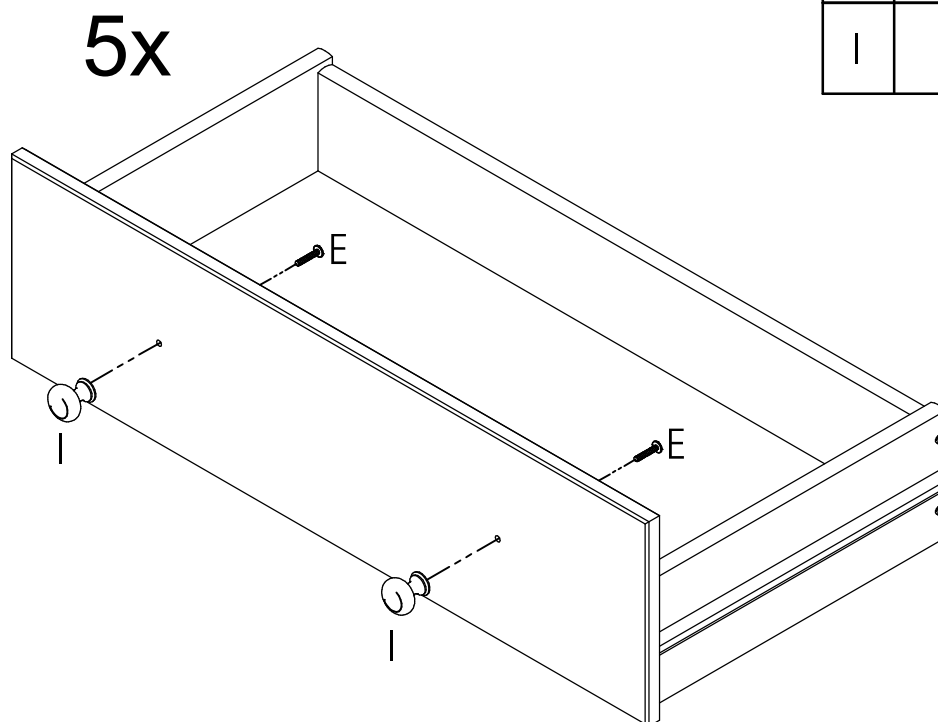
# ASSEMBLY INSTRUCTIONS

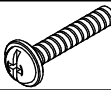

## Step 10



H		10
C		10

## Step 11



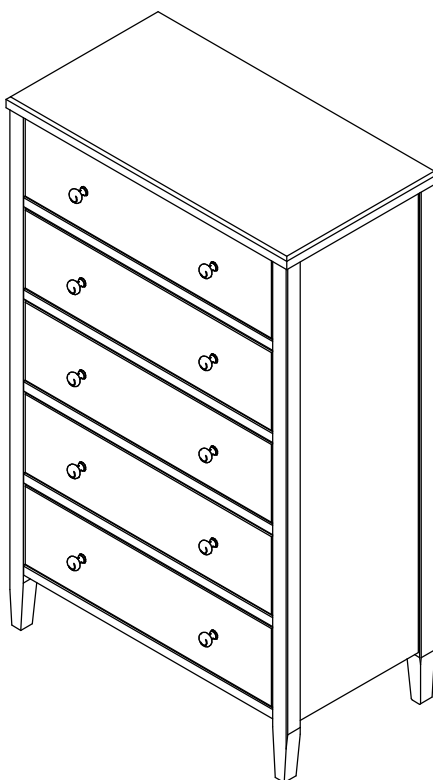
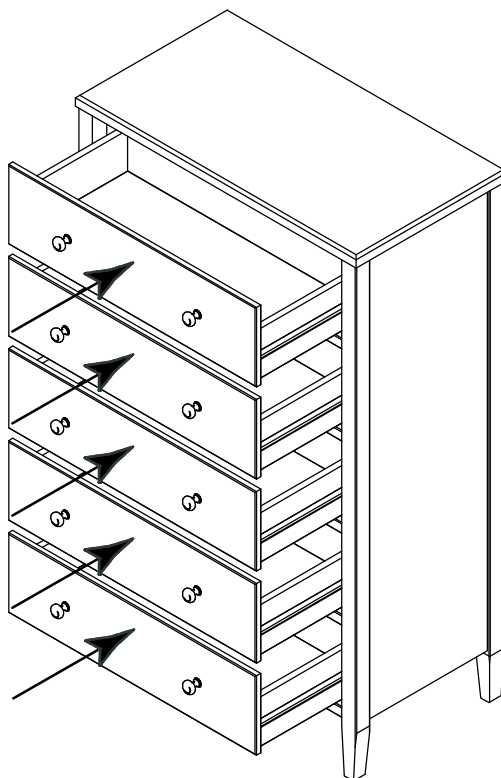
E		10
I		10



# ASSEMBLY INSTRUCTIONS

---

## Step 12



Congratulations! Now you have finished assembling the product.

---

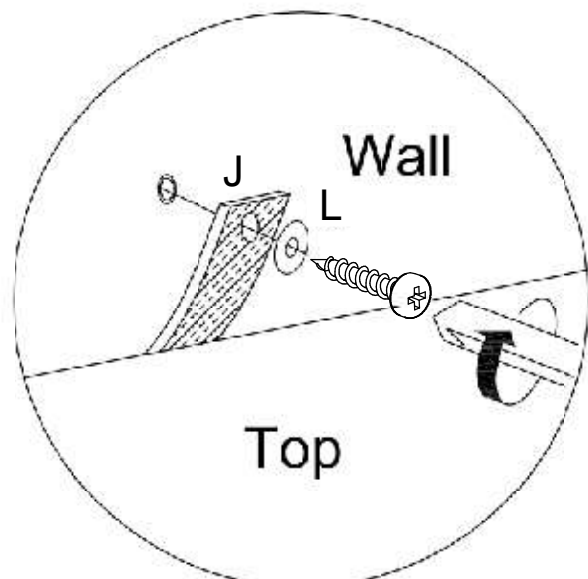
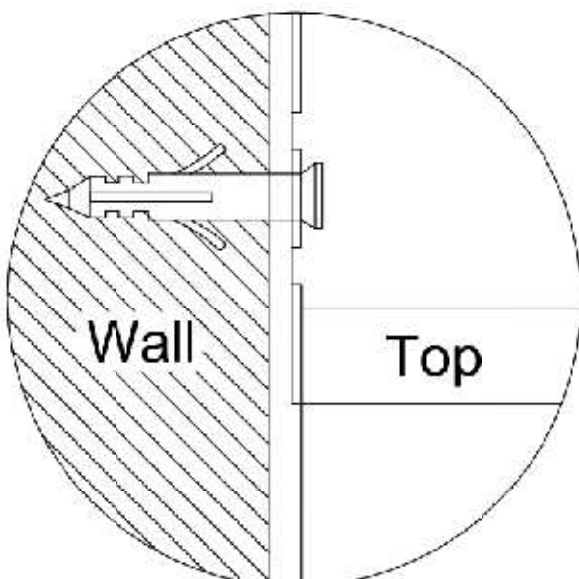
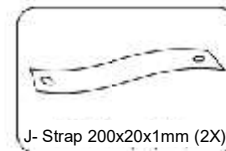
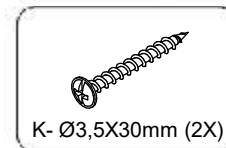
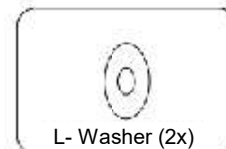
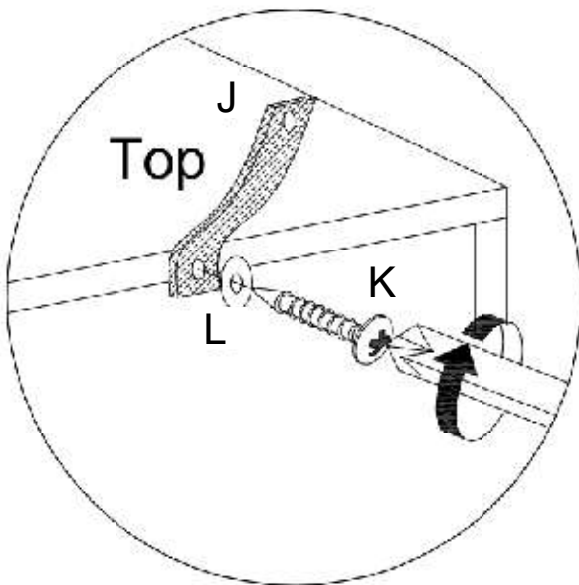


# WARNING

**Serious or fatal injuries can occur from furniture tipping over. To prevent the furniture from tipping over we recommend that it is permanently fixed to the wall.**

Wall fixings are not supplied with this product as different wall materials require different types of fixing devices.

Please make sure you use fixings suitable for the walls in your home.



## **IF YOU FIND A DEFECTIVE PART**

---

We fully stock all parts and components. Any defective part can be quickly replaced. Take note of the defective part number in manual and we will arrange a quick replacement.

you can email our team

## **COPYRIGHT**

---

All material in this instruction manual is copyrighted,  
Any unauthorised use may violate worldwide copyright, trademark and other laws